

Connector - SACC-PO12MS-5CT-CM SH - 1021815

Please be informed that the data shown in this PDF Document is generated from our Online Catalog. Please find the complete data in the user's documentation. Our General Terms of Use for Downloads are valid (<http://phoenixcontact.com/download>)



Connector, Universal, 5-position, shielded, Plug straight M12 Push-Pull, Coding: A, Crimp connection, knurl material: PA 6.6, external cable diameter 4.5 mm ... 7.5 mm, without crimp contacts

Your advantages

- ✓ Plug and Produce: convenient and secure connection, thanks to the manufacturer-independent locking system
- ✓ Extremely compact, thanks to the small wiring space and high contact density
- ✓ Clear feedback: the connector springs back when not snapped into place correctly
- ✓ Safely shielded: reliable shield connection even under extreme mechanical strain
- ✓ Robust connection: suitable for railway applications with high shock and vibration loads



Key Commercial Data

| | |
|--------------------------------------|----------|
| Packing unit | 1 pc |
| Weight per Piece (excluding packing) | 29.800 g |
| Custom tariff number | 85366990 |
| Country of origin | Germany |

Technical data

Dimensions

| | |
|---|-------------------|
| Wrench size, union nut | 15 mm |
| Diameter housing | 22 mm |
| Length | 44 mm |
| External cable diameter | 4.5 mm ... 7.5 mm |
| Stripping length of the sheath | 18 mm |
| Stripping length of the individual wire | 4 mm +0,5 mm |

Ambient conditions

| | |
|---------------------------------|----------------------------------|
| Ambient temperature (operation) | -40 °C ... 85 °C (Plug / socket) |
| | -40 °C ... 85 °C (Plug / socket) |
| Degree of protection | IP65 |
| | IP67 |

Connector - SACC-PO12MS-5CT-CM SH - 1021815

Technical data

Ambient conditions

| | |
|--|-------|
| | IP68 |
| | IP69K |

General

| | |
|--------------------------------|---|
| Note | NOTE: Observe the permissible bending radii when laying conductors, since the degree of protection may be put in jeopardy if the bending forces are too high. Alleviate mechanical loads upstream of the connector, e.g. by using cable ties. |
| Rated current at 40°C | 4 A |
| Rated voltage | 48 V AC |
| | 60 V DC |
| Number of positions | 5 |
| Insulation resistance | ≥ 100 MΩ |
| Coding | A - standard |
| Standards/regulations | M12 connector IEC 61076-2-101 In line with |
| | Shock, vibration EN 50155:2001 |
| Signal type/category | Universal |
| Status display | No |
| Overvoltage category | III |
| Degree of pollution | 3 |
| Connection method | Crimp connection |
| Conductor cross section | 0.14 mm ² ... 1 mm ² (flexible) |
| Conductor cross section AWG | 26 ... 18 (flexible) |
| Wire diameter incl. insulation | ≤ 2.55 mm (Contact 5 up to max. 2.0 mm) |
| Insertion/withdrawal cycles | ≥ 100 |
| Torque | 4 Nm (Pressure nut with coupling sleeve) |
| Assembly instructions | Contacts can be clipped in place and unclipped without tools |

Material

| | |
|--|--|
| Flammability rating according to UL 94 | V0 |
| Contact carrier material | PA 6.6 |
| Material of grip body | Zinc die-cast, nickel-plated |
| Material, knurls | PA 6.6 |
| Sealing material | NBR |
| Standards/regulations | PA 6.6: Fire protection in rail vehicles - requirement sets R22, R23, R24, and R26 acc. to DIN EN 45545-2 (Risk level HL1 - HL3) |

Standards and Regulations

| | |
|--------------------------|--|
| Standards/specifications | M12 connector IEC 61076-2-101 In line with |
| | Shock, vibration EN 50155:2001 |
| Standards/regulations | PA 6.6: Fire protection in rail vehicles - requirement sets R22, R23, R24, and R26 acc. to DIN EN 45545-2 (Risk level HL1 - HL3) |

Environmental Product Compliance

| | |
|------------|--|
| China RoHS | Environmentally Friendly Use Period = 50 years |
|------------|--|

Connector - SACC-PO12MS-5CT-CM SH - 1021815

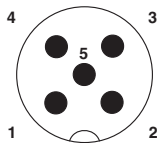
Technical data

Environmental Product Compliance

| | |
|--|---|
| | For details about hazardous substances go to tab "Downloads", Category "Manufacturer's declaration" |
|--|---|

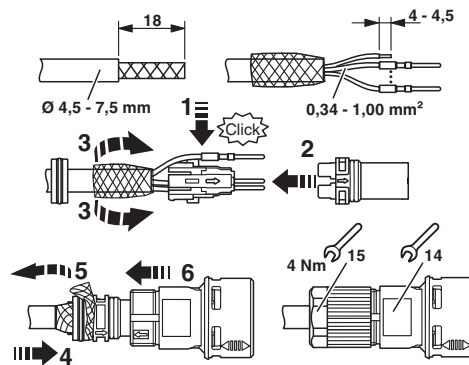
Drawings

Schematic diagram

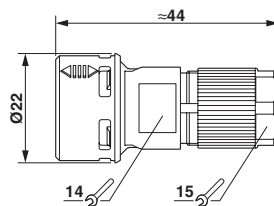


M12 PUSH-PULL male pin assignment, 5-pos., pin-side view

Functional drawing



Dimensional drawing



M12 push-pull plug, straight, shielded

Classifications

eCl@ss

| | |
|---------------|----------|
| eCl@ss 10.0.1 | 27440102 |
| eCl@ss 11.0 | 27440102 |
| eCl@ss 9.0 | 27440102 |

ETIM

| | |
|----------|----------|
| ETIM 6.0 | EC002062 |
| ETIM 7.0 | EC002635 |

UNSPSC

| | |
|-------------|----------|
| UNSPSC 18.0 | 39121413 |
| UNSPSC 19.0 | 39121413 |
| UNSPSC 20.0 | 39121413 |
| UNSPSC 21.0 | 39121413 |

Connector - SACC-PO12MS-5CT-CM SH - 1021815

Accessories

Accessories

Crimp contact

Crimp contact - CC1,0-TS-0,34M AU - 1064040



Crimp contact, contact diameter: 1 mm, turned, Pin, contact material: CuZn, contact surface: Ni/Au, connection cross section: 0.14 mm² ... 0.34 mm², AWG 26 ... 22

Crimp contact - CC1,0-TS-1,00M AU - 1423645



Crimp contact, contact diameter: 1 mm, turned, Pin, contact material: CuZn, contact surface: Ni/Au, connection cross section: 0.34 mm² ... 1 mm², AWG 22 ... 18

Crimping tool

Crimping pliers with digital display - CRIMPFOX-TC MP - 1212510



Crimping pliers, for turned contacts, universal cross section setting, up to a maximum of 2.5 mm², digital display with 0.01 mm increments, pressure lock can be unlocked, including positioning tool

Electronics pliers

Diagonal cutter - MICROFOX-SB - 1212489



Electronic diagonal cutter, round head, without chamfer, with opening spring, mirror-polished and oiled, 2-component grip, cutting capacity: soft 0.2 - 2.0 mm; medium hard 1.2 mm; hard 0.5 mm diameter

Stripping tool

Stripping tool - WIREFOX-D 13 - 1212162



Stripping tool, for stripping installation lines of Ø 8 - 13 mm, e.g. NYM 3 x 1.5 mm² to 5 x 2.5 mm², single line stripping 0.2 mm² - 4 mm², with longitudinal cut blade and sliding knife

Connector - SACC-PO12MS-5CT-CM SH - 1021815

Accessories

Stripping tool - WIREFOX SAC - 1212623



Stripping pliers, for halogen-free sensor/actuator cables (SAC cables), with PUR and PVC insulation, from \varnothing of 4.4 to 7 mm, any stripping length

Stripping tool - VS-CABLE-STRIP-VARIO - 1657407



Stripping tool, for the multi-level stripping of shielded cables

Necessary add-on products

Crimp contact - CC1,0-TS-0,34M AU - 1064040



Crimp contact, contact diameter: 1 mm, turned, Pin, contact material: CuZn, contact surface: Ni/Au, connection cross section: 0.14 mm² ... 0.34 mm², AWG 26 ... 22

Crimp contact - CC1,0-TS-1,00M AU - 1423645



Crimp contact, contact diameter: 1 mm, turned, Pin, contact material: CuZn, contact surface: Ni/Au, connection cross section: 0.34 mm² ... 1 mm², AWG 22 ... 18
