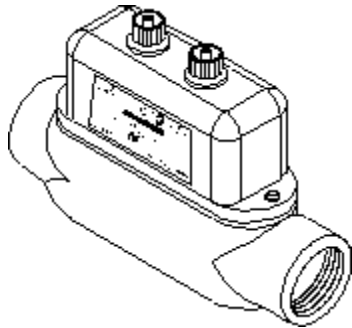


20013X Dual Pressure flexiTIM

Datasheet

Bently Nevada Machinery Condition Monitoring

141576 Rev. M



Description

The Dual Pressure flexiTIM* module interfaces 2 individual pressure transducers to the Trendmaster* 2000 System and is intended for non-dynamic pressure applications.

The flexiTIM module and cable interfaces with pressure transducers using a 4-pin, locking bayonet connection. Compatible transducers are standard, millivolt output type devices with an output sensitivity of 10 mV/V. This flexibility allows the dual pressure flexiTIM system to measure a wide range of pressures under a variety of operating conditions. We offer a standard transducer for use with the flexiTIM module for convenience.



Specifications

All specifications are at 25 °C (77 °F) unless otherwise specified.



Operation outside the specified limits will result in false or inaccurate readings.

200130 Dual Pressure flexiTIM

Electrical

Full Scale Range	The pressure transducer sets the Trendmaster full-scale pressure range. The user enters the transducer's full-scale range into the Trendmaster software.
Accuracy	±8.5% of the transducer full-scale rating (transducer accuracy not included).
Transducer Excitation Voltage	4.98 Vdc ± 65 mVdc.
Maximum Transducer Supply Current	2.5 mA absolute maximum available over temperature.
Transducer OK Range	1 Vdc to 3 Vdc bias from transducer (nominal).
Resolution	0.025% of transducer's full scale rating.
Transducer	Bridge type meeting stated requirements.

Environmental Limits

Operating Temperature	-40 °C to +100 °C (-40 °F to +212 °F).
Humidity	100% condensing on exposed surfaces. 100% non-condensing on surfaces inside conduit.

Mechanical

Housing Materials	Powder-coated aluminum.
Weight	554 g (20 oz) not including conduit body
Dimensions	See Graphs and Figures and Graphs and Figures .

200131 Cables

Operating Temperature	-20 °C to +100 °C (-4 °F to +212 °F).
Minimum Bend Radius	25.4 mm (1.0 in).
Construction	4-conductor (22 AWG) with foil shield and drain wire (100% coverage), yellow PVC outer jacket.
Connectors	Screw-on, 5-pin, keyed connector on the flexiTIM end and a PT06F8-4S (or equivalent) on the transducer end. The user should install the environmental boot over the transducer's connector and body.

200132 Pressure Transducer

Pressure Ranges PSI SG	30, 50, 100, 300, and 500.
Sensitivity	10 mV/V ± 1%.
Zero Offset	±3mV (±6% of full scale range) at atmospheric pressure (14.7 PSI).
Absolute Accuracy	±4% over compensated temperature range.
Excitation	5 Vdc to 10 VDC (nominal).
Input Resistance	> 2 K W.
Output Resistance	< 6 K W.

Operating Temperature	-54 °C to +121 °C (-65 °F to +250 °F).
Compensated Temperature	+10 °C to +93 °C (+50 °F to +200 °F).
Connector	MS3113H8-4P, 4-position male or equivalent: A = + Excitation B = + Out C = - Out D = - Excitation
Proof Pressure	2X Full Pressure Scale.
Burst Pressure	3X Full Pressure Scale
Pressure Fitting	1/4 - 18 NPT male.
Case Material	316 Stainless Steel.
Insulation resistance	> 50 MΩ @ 50 VDC.

Ordering Information

200130 Dual Pressure flexiTIM Module (all conduit bodies have 1-inch hubs).

200130-**AXX**-**BXX**

A:	Conduit body style
0 0	No conduit body
0 1	Appleton® Style C body, malleable iron
0 2	Appleton Style E body, malleable iron
0 3	Appleton Style C body, aluminum
0 4	Appleton Style E body, aluminum
0 5	Weatherproof housing mount
B:	Approvals
0 0	CSA, Class 1 DIV 2, no barriers
0 1	CSA approvals installed with barriers
0 2	CENELEC approvals installed with barriers

Transducer Cables

200131-**AXX**

A:	Cable length
0 5	0.5 metres (1.6 feet)
1 0	1.0 metre (3.3 feet)
1 5	1.5 metres (4.9 feet)
2 0	2.0 metres (6.6 feet)
4 0	4.0 metres (13.1 feet)
6 0	6.0 metres (19.7 feet)
9 0	9.0 metres (29.5 feet)

Pressure Transducer


200132-**AXXX**

A:	Pressure rating
0 3 0	0 to 30 PSI SG
0 5 0	0 to 50 PSI SG
1 0 0	0 to 100 PSI SG
2 0 0	0 to 200 PSI SG
3 0 0	0 to 300 PSI SG
5 0 0	0 to 500 PSI SG
1000	0 to 1000 PSI SG
1500	0 to 1500 PSI SG
2000	0 to 2000 PSI SG

Accessories

126709-04	Trendmaster 2000 Installation Guide. Includes flexiT <small>IM</small> Installation Guide.
137230-01	flexiT <small>IM</small> installation Guide
01620085	Extra terminal plugs for SPA line connection. Each flexiT <small>IM</small> module includes 3 terminal plugs.
03814231	Compression fitting for 1-inch conduit body hubs. Seals for cables when installing flexiT <small>IM</small> modules without conduit.
04500006	Dow Corning® 4, Electrical Insulating Compound (5.3 Oz).

Graphs and Figures

 All dimensions in millimetres [inches] except as noted.

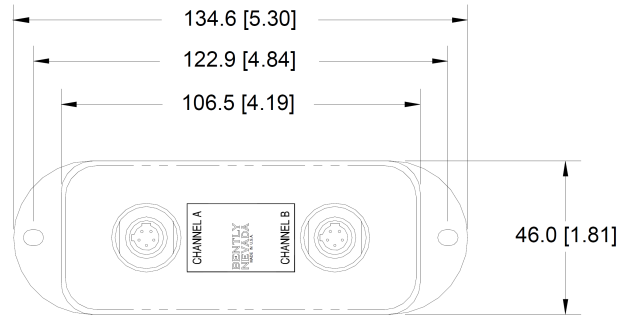
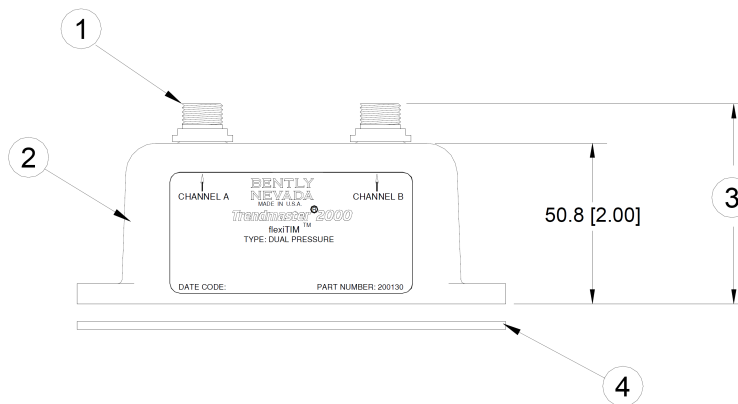


Figure 1: Dual Pressure flexiTIM Module Dimensions (Top View)



1. 1/2-20 5-pole female receptacle
2. Powder-coated aluminum housing
3. 63.3 mm [2.49 in]. Allow 127 mm [5 in] for total height with connector and cable bend.
4. Gasket

Figure 2: Dual Pressure flexiTIM Module Dimensions (Side View)

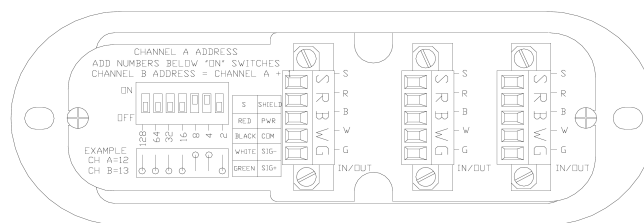


Figure 3: Dual Pressure flexiTIM Module Bottom View

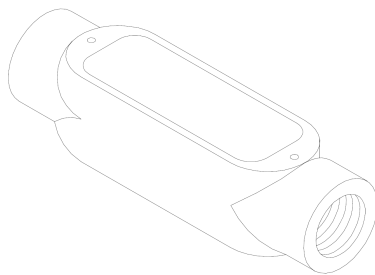


Figure 4: Conduit Body Style C Provided with flexiTIM Modules

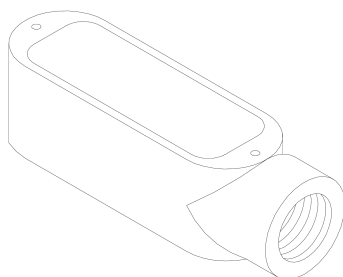
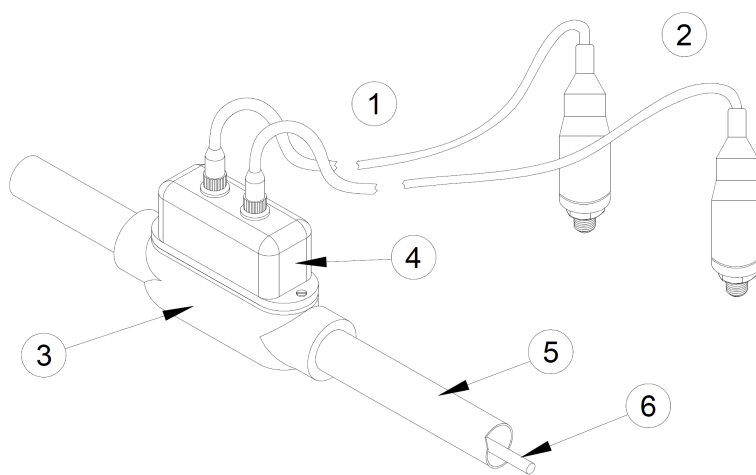
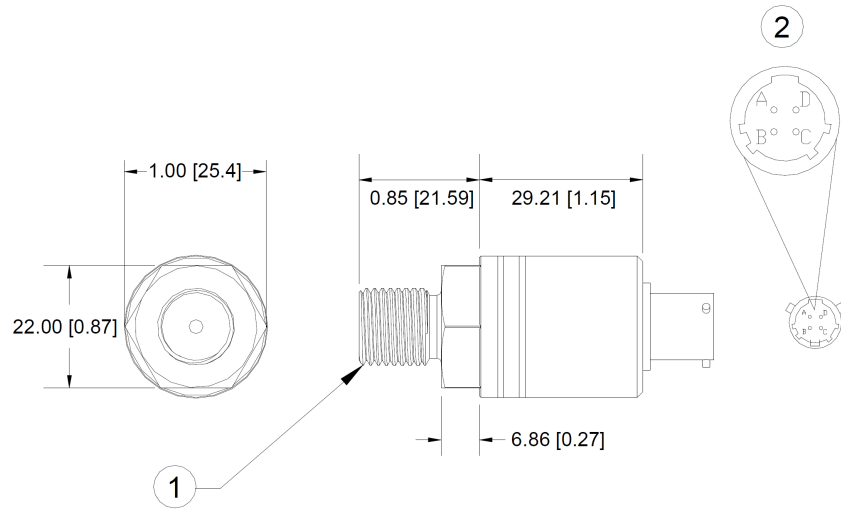


Figure 5: Conduit Body Style E Provided with flexiTIM Modules



1. Transducer cables with environmental boots
2. Transducers
3. Conduit body
4. flexiTIM module
5. Rigid conduit
6. SPA line

Figure 6: Installed Pressure flexiTIM Module



1. 1/4-18 NPT
2. MS3113H8-4P, 4-position male or equivalent. A = + Excitation, B = + Out, C = - Out, D = - Excitation.

Figure 7: Pressure Transducers

Copyright 2020 Baker Hughes Company. All rights reserved.



Bently Nevada and Orbit Logo are registered trademarks of Bently Nevada, a Baker Hughes Business, in the United States and other countries. The Baker Hughes logo is a trademark of Baker Hughes Company. All other product and company names are trademarks of their respective holders. Use of the trademarks does not imply any affiliation with or endorsement by the respective holders.

Baker Hughes provides this information on an "as is" basis for general information purposes. Baker Hughes does not make any representation as to the accuracy or completeness of the information and makes no warranties of any kind, specific, implied or oral, to the fullest extent permissible by law, including those of merchantability and fitness for a particular purpose or use. Baker Hughes hereby disclaims any and all liability for any direct, indirect, consequential or special damages, claims for lost profits, or third party claims arising from the use of the information, whether a claim is asserted in contract, tort, or otherwise. Baker Hughes reserves the right to make changes in specifications and features shown herein, or discontinue the product described at any time without notice or obligation. Contact your Baker Hughes representative for the most current information.

The information contained in this document is the property of Baker Hughes and its affiliates; and is subject to change without prior notice. It is being supplied as a service to our customers and may not be altered or its content repackaged without the express written consent of Baker Hughes. This product or associated products may be covered by one or more patents. See [Bentley.com/legal](https://www.bentley.com/legal).

1631 Bently Parkway South, Minden, Nevada USA 89423
Phone: 1.775.782.3611 or 1.800.227.5514 (US only)
[Bentley.com](https://www.bentley.com)