

Configuration memory - RAD-868-CONF-RF1 - 2702197

Please be informed that the data shown in this PDF Document is generated from our Online Catalog. Please find the complete data in the user's documentation. Our General Terms of Use for Downloads are valid (<http://phoenixcontact.com/download>)



Radioline - configuration stick for easy and safe network addressing for the 868 MHz wireless module (RAD-868-...), unique network ID, RF band 1

Your advantages

- ✓ Easy, unique, and safe network addressing
- ✓ Parallel operation of multiple networks (using different RF bands)



Key Commercial Data

Packing unit	1 pc
Weight per Piece (excluding packing)	5.400 g
Custom tariff number	85235110
Country of origin	Germany

Technical data

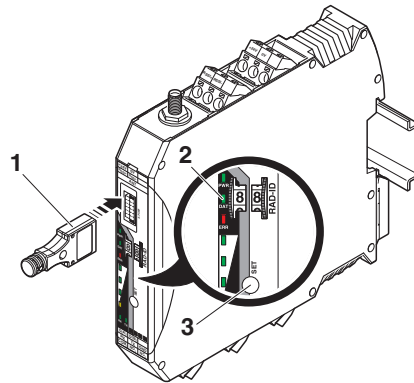
Environmental Product Compliance

China RoHS	Environmentally Friendly Use Period = 50 years
	For details about hazardous substances go to tab "Downloads", Category "Manufacturer's declaration"

Drawings

Configuration memory - RAD-868-CONF-RF1 - 2702197

Schematic diagram



Configuration via CONFSTICK

Classifications

eCl@ss

eCl@ss 10.0.1	27242212
eCl@ss 11.0	27242212
eCl@ss 4.0	27230200
eCl@ss 4.1	27250300
eCl@ss 5.0	27242200
eCl@ss 5.1	27242200
eCl@ss 6.0	19179200
eCl@ss 7.0	19179290
eCl@ss 9.0	27242212

ETIM

ETIM 3.0	EC001423
ETIM 4.0	EC000310
ETIM 6.0	EC000192
ETIM 7.0	EC000192

UNSPSC

UNSPSC 6.01	30211506
UNSPSC 7.0901	43223108
UNSPSC 11	39121008
UNSPSC 12.01	43223108
UNSPSC 13.2	43222604
UNSPSC 18.0	32101606
UNSPSC 19.0	32101606
UNSPSC 20.0	32101606

Configuration memory - RAD-868-CONF-RF1 - 2702197

Classifications

UNSPSC

UNSPSC 21.0	32101606
-------------	----------

Accessories

Accessories

Wireless module

Wireless module - RAD-868-IFS - 2904909



Radioline - 868 MHz wireless transceiver with RS-232/RS-485 interface, can be extended with I/O modules, RSMA (female) antenna connection, point-to-point, star, and mesh networks up to 99 stations, range of up to 20 km (with a clear line of sight), for use in Europe