

990 and 991 Transmitter Housing

Datasheet

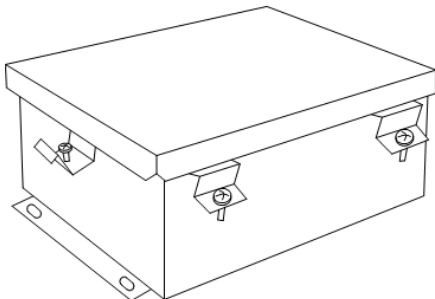
Bently Nevada Machinery Condition Monitoring

141619 Rev. C

Description

To protect our 990 and 991 Transmitters, we offer two sizes of housings for holding up to four transmitters. The housings protect the transmitters from physical abuse, moisture, and other environmental factors.

The housings are constructed of AISI 304 series stainless steel and are designed to meet NEMA 4 specifications when properly installed.



Ordering Information



For the detailed listing of country and product specific approvals, refer to the *Approvals Quick Reference Guide* (108M1756) available from Bently.com.

2-Unit Housing 133780 - AA

A: Conduit Fitting Option

| | |
|-----------|---|
| 00 | Without fittings |
| 02 | With fittings: one 1¼ inch NPT outlet fitting, three ¾ inch NPT inlet fittings. |

4-Unit Housing 133781 - AA

A: Conduit Fitting Option

| | |
|-----------|--|
| 00 | Without fittings |
| 02 | With fittings: one 1¼ inch NPT outlet fitting, four ¾ inch NPT inlet fittings. |

Graphs and Figures

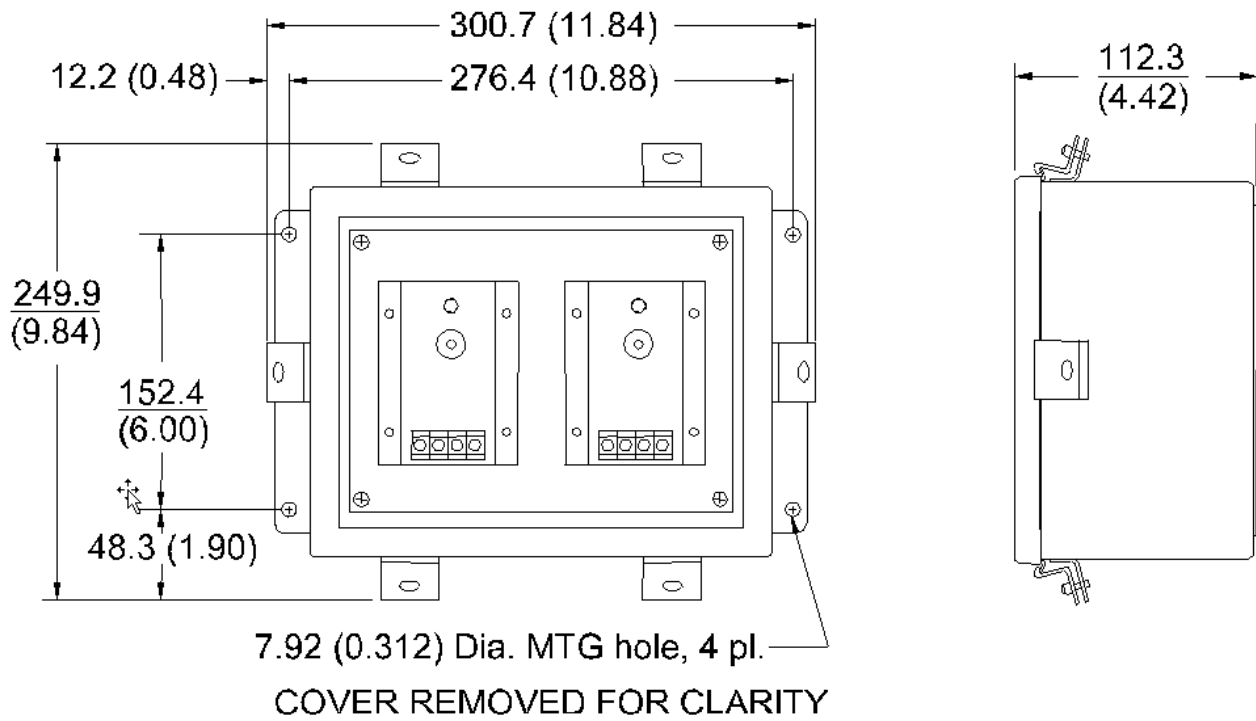


Figure 1: 990 or 991 Transmitter Housing for 2 Units

Dimensions are in millimeters (inches).

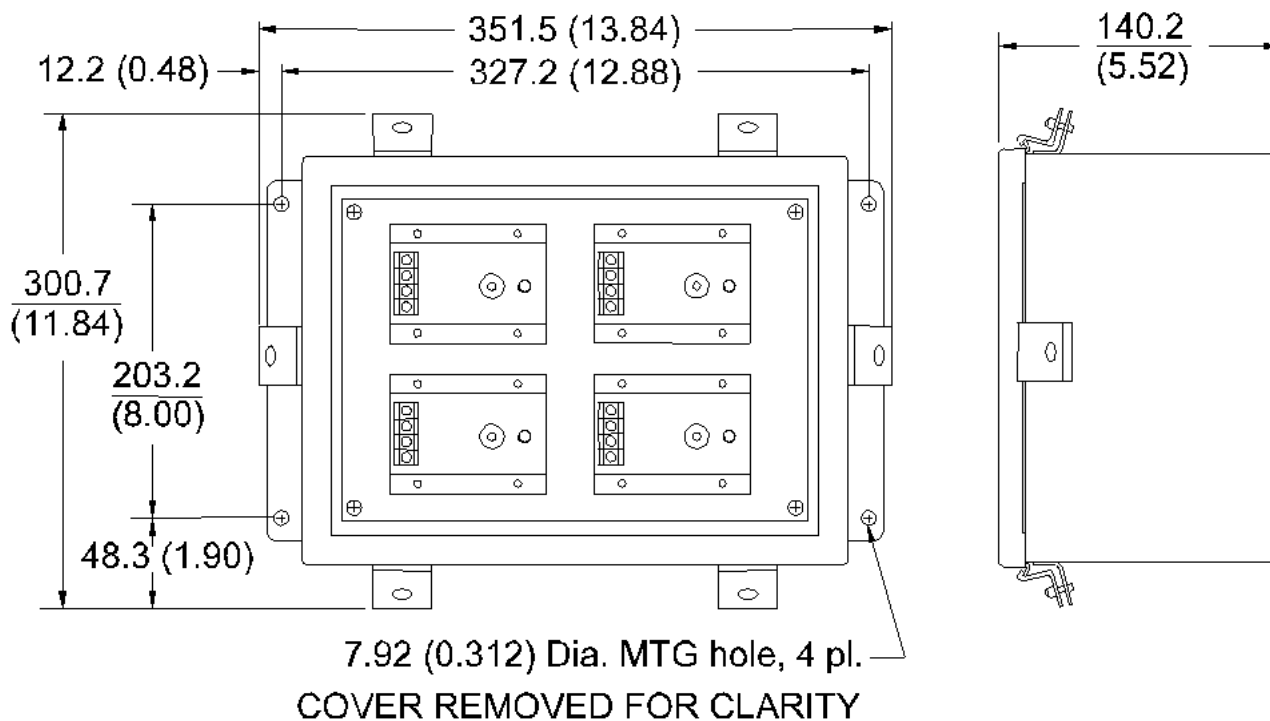


Figure 2: 990 or 991 Transmitter Housing for 4 Units

Dimensions are in millimeters (inches).

Copyright 2020 Baker Hughes Company. All rights reserved.



Bently Nevada and Orbit Logo are registered trademarks of Bently Nevada, a Baker Hughes Business, in the United States and other countries. The Baker Hughes logo is a trademark of Baker Hughes Company. All other product and company names are trademarks of their respective holders. Use of the trademarks does not imply any affiliation with or endorsement by the respective holders.

Baker Hughes provides this information on an "as is" basis for general information purposes. Baker Hughes does not make any representation as to the accuracy or completeness of the information and makes no warranties of any kind, specific, implied or oral, to the fullest extent permissible by law, including those of merchantability and fitness for a particular purpose or use. Baker Hughes hereby disclaims any and all liability for any direct, indirect, consequential or special damages, claims for lost profits, or third party claims arising from the use of the information, whether a claim is asserted in contract, tort, or otherwise. Baker Hughes reserves the right to make changes in specifications and features shown herein, or discontinue the product described at any time without notice or obligation. Contact your Baker Hughes representative for the most current information.

The information contained in this document is the property of Baker Hughes and its affiliates; and is subject to change without prior notice. It is being supplied as a service to our customers and may not be altered or its content repackaged without the express written consent of Baker Hughes. This product or associated products may be covered by one or more patents. See [Bently.com/legal](https://www.bently.com/legal).

1631 Bently Parkway South, Minden, Nevada USA 89423
Phone: 1.775.782.3611 or 1.800.227.5514 (US only)
[Bently.com](https://www.bently.com)