

EI Series Bimetal Thermometers

FEATURES

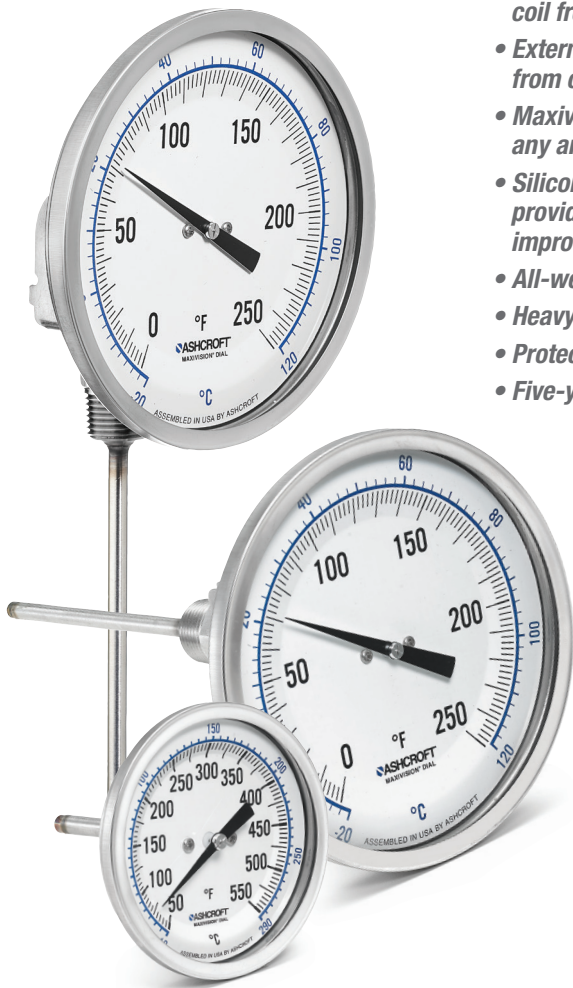
- 1% full span accuracy ASME B40.200 (ASME B40.3 Grade A)
- Maximum ambient temp. is 200°F (94°C)
- Hermetically sealed case to prevent entry of moisture, interior corrosion and coil freeze-up.
- External adjustment permits zero reset from outside the case.
- Maxivison® dial allows readability from any angle without parallax error.
- Silicone coil dampening (up to 400°F) provides vibration dampening and improves response time.
- All-welded SS construction
- Heavy-Duty glass lens
- Protection NEMA 4X/IP66
- Five-year limited warranty

SPECIFICATIONS

Ashcroft®	
Series:	EI
Dial Sizes:	2", 3", 5"
Stem Length:	2½"-60" ⁽¹⁾
Case & Stem:	304 SS, hermetically sealed
Stem Dia:	.250"
Window:	Heavy-duty glass, plastic or shatterproof glass optional
Dial:	Maxivision®, black figures on white background
Pointer:	Black
Connection:	Plain, pointed plain, ¼ NPT, ½ NPT, ½ NPT union and ½ NPT adjustable union
Connection Location:	Everyangle™, Lower, Rear
Ranges:	-80/120°F-200/1000°F -50/50°C-100/500°C
Options:	<p>Code Description</p> <p>C4 Individual calibration cert.</p> <p>XCS Dual scale⁽²⁾</p> <p>XDM Dial marking</p> <p>XNH SS tag</p> <p>XNN Paper tag</p> <p>XPD Plastic window</p> <p>XSG Shatter proof glass</p> <p>X3B 3/8" stem dia. with ½ NPT</p> <p>X02 ¼ NPT when ½ NPT is standard⁽³⁾</p> <p>XS1 Silicone free</p> <p>XYW 316 SS Housing⁽⁴⁾ and stem</p>

- (1) 25"-60" lengths available, consult factory
 (2) Dual scale available with 3" and 5" case only
 (3) Only available on rear connection
 (4) Only available on 5" Everyangle™

Thermowells must be used on all pressure or velocity applications, to protect the stem of thermometer from corrosion and physical damage, and to facilitate removal of the thermometer without disturbing the process. Maximum ambient temperature is 200°F (95°C).



HOW TO ORDER

		30	EI	60	R	040	0/250°F	XNH
Dial Size: 3" Code 30	_____							
Case Style: EI	_____							
Stem Connection: ½ NPT Code 60	_____							
Stem Location: Rear Code R	_____							
Stem Length: 4" Code 040	_____							
Range: Code 0/250°F	_____							
Options: Stainless steel tag	_____							

EI Series Bimetal Thermometers

EI Series selection table

Case	Size	Style Code	Stem			Stem Lengths Available		Temperature Range								
			Conn.	Code	Location	Code	"S" Length (inches)	Code	°F* Fahrenheit	°/Div.	Fig. Inter.	°C Celsius	°/Div.	Fig. Inter.		
2"	20	EI	Plain	40	Rear	R	2 1/2	025	-80/120	2	20	-50/50	1	10		
			Pointed	50					-20/120††			-10/110			2	10
			1/4 NPT	60					-40/120			1			10	-20/120
3"	30		1/2 NPT Union	42	Everyangle	E			4	040	30/130††	20	50	0/50††	1	5
			1/2 NPT	60					0/200	0/100	1			10		
			0/200	20/120					10/150	2	20					
			1/2 NPT	60					Rear	R	6	060	0/250	0/200	2	20
			1/2 NPT	60					Lower	L	9	090	50/300	0/300††	5	50
			1/2 NPT	60					Everyangle	E	12	120	50/400	0/400†	5	50
1/2 NPT Union	42	15	150	50/550	50/450**†	5	50									
1/2 NPT	60	18	180	200/700†	100/500**†	5	50									
1/2 NPT Adjust. Union	70	24	240	100/800†	100	100										
1/2 NPT	60			200/1000**†												
1/2 NPT	60	Rear	R													
5"	50	1/2 NPT	60	Lower	L											

CONTACT FACTORY FOR ADDITIONAL STEM LENGTHS AND RANGES NOT LISTED

EI Series dual scale ranges

Dual scales are available in 3" and 5" dial sizes in the following ranges:

Inner	Outer
-80/120°F	and -60/50°C
-40/120°F	and -40/50°C
-40/160°F	and -40/70°C
-20/120°F	and -30/50°C††
0/200°F	and -20/90°C
0/250°F	and -20/120°C
30/130°F	and 0/55°C††
50/300°F	and 10/150°C
50/400°F	and 10/200°C
50/550°F	and 10/290°C
100/800°F	and 50/400°C†
200/700°F	and 100/370°C†
200/1000°F	and 100/550°C**†

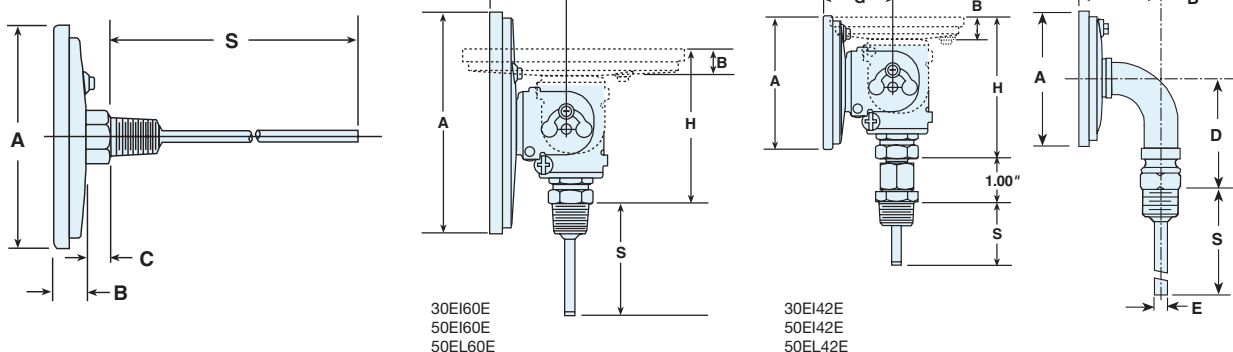
EI Dimensions

Case Series	Dial	Connection Location	A	B	C	D	E	G	H	S	NPT	Hex	Weight in ounces ⁽³⁾	
													S - 2 1/2"	
EI	2"	Rear (Plain)	2 ³ / ₃₂ (53)	3 ³ / ₈ (10)	3 ³ / ₈ (8)	-	-	-	-	-(2)	-	1 1/16	4 1/2	
EI	2"	Rear (Plain, pointed stem)	2 ³ / ₃₂ (53)	3 ³ / ₈ (10)	3 ³ / ₈ (8)	-	-	-	-	-(2)	-	1 1/16	4 1/2	
EI	2"	Rear (Threaded)	2 ³ / ₃₂ (53)	3 ³ / ₈ (10)	3 ³ / ₈ (8)	-	-	-	1/4	-(2)	4 1/2	1 1/16	4 1/2	
EI	3"	Rear	3 ³ / ₃₂ (80)	1 ⁹ / ₃₂ (15)	3 ³ / ₈ (8)	-	-	-	1/2	-(2)	1/4	7/8	7	
EI	3"	Lower	3 ³ / ₃₂ (80)	1 ²⁷ / ₃₂ (47)	-	-	2 ⁵ / ₈ (67)	1/4 (6)	-	1/2	-(2)	1/2	7/8	11
EI	3"	Everyangle	3 ³ / ₃₂ (80)	1 ⁹ / ₃₂ (15)	-	-	1 ²¹ / ₃₂ (42)	3 ¹ / ₃₂ (89)	-(2)	1/2	1/2	7/8	10	
EI	5"	Rear	5 ¹ / ₃₂ (128)	2 ³ / ₃₂ (18)	3 ³ / ₈ (8)	-	-	-	-	-(2)	1/2	7/8	16	
EI	5"	Lower	5 ¹ / ₃₂ (128)	1 ¹⁵ / ₁₆ (49)	-	-	3 ⁵ / ₈ (92)	1/4 (6)	-	-(2)	1/2	7/8	26	
EI	5"	Everyangle	5 ¹ / ₃₂ (128)	2 ³ / ₃₂ (18)	-	-	1 ⁷ / ₈ (48)	3 ²¹ / ₃₂ (93)	-(2)	1/2	1/2	7/8	25	

NOTES:

1. Figures in parenthesis () are in millimeters. All other dimensions are in inches.
2. Standard "S" dimensions are 2 1/2, 4, 6, 9, 12, 15, 18 and 24 inches. Standard stem diameter is 1/4 inch.
3. Add 1 oz. for every 2 inches of stem length.

DIMENSIONS



All specifications are subject to change without notice.
All sales subject to standard terms and conditions.
© 2017 Ashcroft Inc. 07/17

Ashcroft Inc., 250 East Main Street, Stratford, CT 06614 USA
Tel: 203-378-8281 • Fax: 203-385-0408
email: info@ashcroft.com • www.ashcroft.com