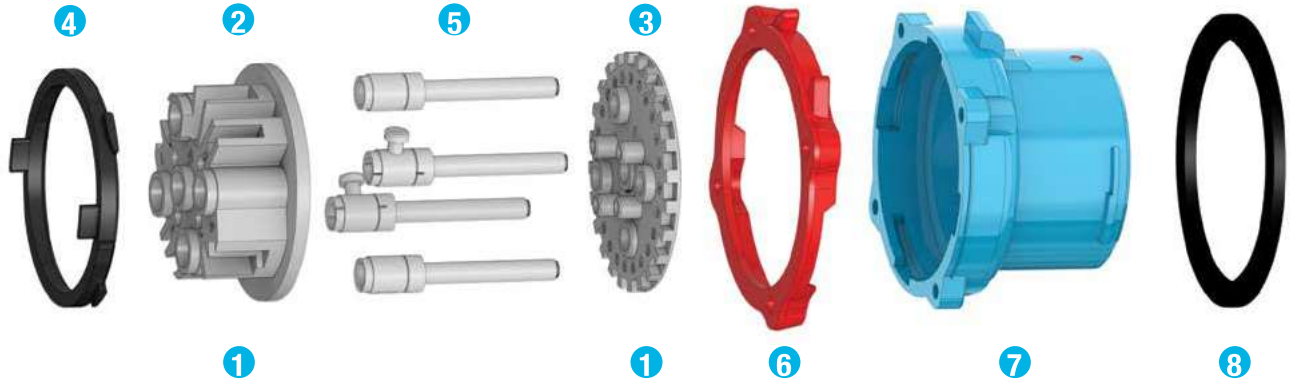


# DS SPARE PARTS Male Configuration



	DS20 POLY	DS30 POLY	DS60 POLY	DS60 METAL	DS100C POLY	DS100C METAL	DS100 POLY	DS100 METAL	DS200 METAL
1 Plug Interior***	31-1A010*	31-3A010*	31-6A010*	31-6A010*	31-6A010-C*	31-6A010-C*	61-9A010*	69-9A010*	39-2A010*
1 Plug Interior w/Ground Contacts***	-	-	-	39-6A110*	-	39-6A110-C*	-	69-9A110*	39-2A110*
1 Plug Interior with 2 Pilots+	31-1A310-972*	31-3A310-972*	31-6A310-972*	31-6A310-972*	31-6A310-C-972*	31-6A310-C-972*	31-6A310-C-972*	61-9A310-262*	39-2A310-972*
2 Interior Bottom***	31-1A010-B	31-3A010-B	31-6A010-B	31-6A010-B	31-6A010-C-B	31-6A010-C-B	61-9A551	69-9A551	39-2A010-B
3 Interior Top***	31-1A010-T*	31-3A010-T*	31-6A010-T*	31-6A010-T*	31-6A010-C-T*	31-6A010-C-T*	61-9A010-T*	69-9A010-T*	39-2A010-T*
4 Polyester Locking Ring	31-1A583	31-3A583	31-6A583	-	31-6A583	-	31-9A583	-	-
4 Metal Locking Ring	-	-	-	39-6A583	-	39-6A583	-	39-9A583	39-2A583
5 Plug Phase Contact (If no aux. contacts)	31-1A011-380	31-3A011-380	31-6A011	31-6A011	31-6A011-C	31-6A011-C	61-9A011	61-9A011	39-2A011
5 Plug Phase Contact (If plug has aux. contacts)	31-1A011	31-3A011-380	31-6A011	31-6A011	31-6A011-C	31-6A011-C	61-9A011	61-9A011	39-2A011
5 Plug Ground Contact	31-1A019	31-3A019	31-6A019	31-6A019	31-6A019-C	39-6A019-C	61-9A019	69-9A019	39-2A019
6 Color-Coded Voltage Gasket	125V	31-1AC26	31-3AC26	31-6AC26	31-6AC26	31-6AC26	31-9AC26	31-9AC26	39-2AC26
	208V	31-1AB26	31-3AB26	31-6AB26	31-6AB26	31-6AB26	31-9AB26	31-9AB26	39-2AB26
	250V	31-1AC26	31-3AC26	31-6AC26	31-6AC26	31-6AC26	31-9AC26	31-9AC26	39-2AC26
	480V	31-1AR26	31-3AR26	31-6AR26	31-6AR26	31-6AR26	31-9AR26	31-9AR26	39-2AR26
	600V	31-1AN26	31-3AN26	31-6AN26	31-6AN26	31-6AN26	31-9AN26	31-9AN26	39-2AN26
7 Plug Polyester Casing	31-1A014**	31-3A014**	31-6A014**	-	31-6A014-C**	-	61-9A014**	-	-
7 Plug Metal Casing	-	-	-	39-6A014**	-	39-6A014-C**	-	39-9A014**	39-2A014**
8 Type 4X Gasket	31-1A056	31-3A056	31-6A066	39-6A066	31-6A066	39-6A066	-	31-9A066	39-2A056

\* Voltage and phasing positions must be specified (5th, 6th & 7th digit of Part #) to duplicate your shutter and alignment notches.

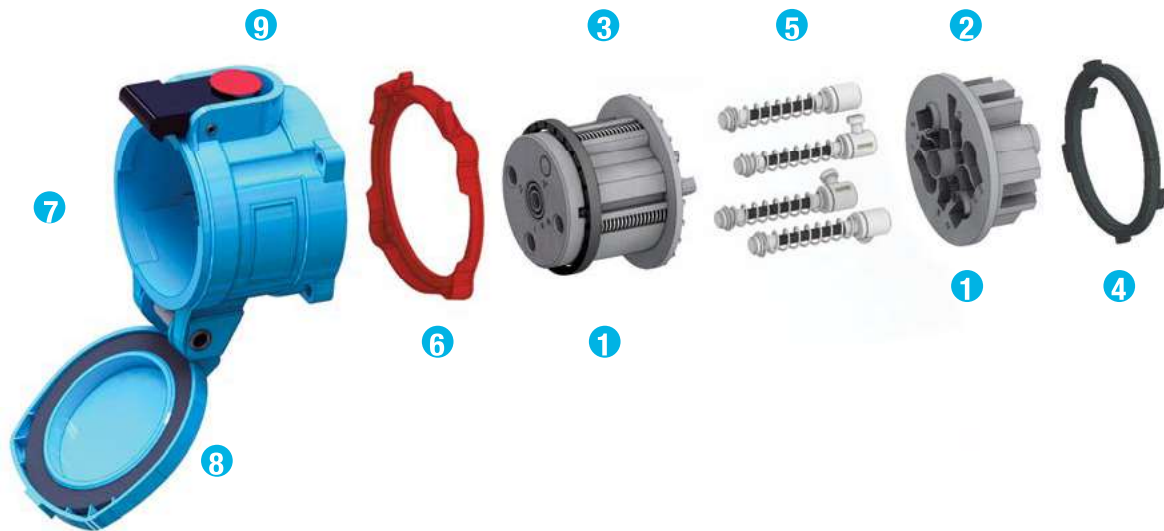
\*\* For appropriate labeling on a device, please specify voltage, phasing, and product type.

\*\*\* For interiors with pilot contacts, contact Customer Service for part numbers.

+ For interiors with more than 2 pilot contacts, contact Customer Service for part numbers.

CONTACT CHESS CONTROLS FOR MORE DETAILS 705 682 2828

# DS SPARE PARTS Female Configuration



	DS20 POLY	DS30 POLY	DS60 POLY	DS60 METAL	DS100C POLY	DS100C METAL	DS100 POLY	DS100 METAL	DS200 METAL
1 Receptacle Interior***	31-1A020*	31-3A020*	31-6A020*	31-6A020*	31-6A020-C*	31-6A020-C*	61-9A020*	69-9A020*	39-2A020*
1 Recept Interior w/Ground Contacts***	-	-	-	39-6A220*	-	39-6A220-C*	-	69-9A220*	39-2A220*
1 Receptacle Interior with 2 Pilots+	31-1A320-972*	31-3A320-972*	31-6A320-972*	31-6A320-972*	31-6A320-C-972*	31-1A320-C-972*	61-9A320-262*	61-9A320-262*	39-2A320-972*
2 Interior Bottom***	31-1A020-B	31-3A020-B	31-6A020-B	31-6A020-B	31-6A020-C-B	31-6A020-C-B	61-9A552	69-9A552	39-2A020-B
3 Interior Top***	31-1A020-T*	31-3A020-T*	31-6A020-T*	31-6A020-T*	31-6A020-C-T*	31-6A020-C-T*	61-9A020-T*	69-9A020-T*	39-2A020-T*
4 Polyester Locking Ring	31-1A583	31-3A583	31-6A583	-	31-6A583	-	31-9A583	-	-
4 Metal Locking Ring	-	-	-	39-6A583	-	39-6A583	-	39-9A583	39-2A583
5 Recept Phase Contact (If no aux. contacts)	31-1A021-380	31-3A021-380	31-6A021	31-6A021	31-6A021-C	31-6A021-C	61-9A021	61-9A021	39-2A021
5 Recept Phase Contact (If plug has aux. contacts)	31-1A021	31-3A021-380	31-6A021	31-6A021	31-6A021-C	31-6A021-C	61-9A021	61-9A021	39-2A021
5 Recept Ground Contact	31-1A029	31-3A029	31-6A029	39-6A029	31-6A029-C	39-6A029-C	61-9A029	69-9A029	39-2A029
6 Color-Coded Voltage Gasket	125V	31-1AC26	31-3AC26	31-6AC26	31-6AC26	31-6AC26	31-9AC26	31-9AC26	39-2AC26
	208V	31-1AB26	31-3AB26	31-6AB26	31-6AB26	31-6AB26	31-9AB26	31-9AB26	39-2AB26
	250V	31-1AC26	31-3AC26	31-6AC26	31-6AC26	31-6AC26	31-9AC26	31-9AC26	39-2AC26
	480V	31-1AR26	31-3AR26	31-6AR26	31-6AR26	31-6AR26	31-9AR26	31-9AR26	39-2AR26
	600V	31-1AN26	31-3AN26	31-6AN26	31-6AN26	31-6AN26	31-9AN26	31-9AN26	39-2AN26
7 Receptacle Polyester Casing w/Lid	31-1A024**	31-3A024**	31-6A024**	-	31-6A024-C**	-	61-9A024**	-	-
7 Receptacle Metal Casing w/Lid	-	-	-	39-6A024**	-	39-6A024-C**	-	39-9A024**	39-2A024**
8 Lid Replacement Kit Polyester	31-1A125	31-3A125	31-6A425	-	31-6A425	-	61-9A125	-	-
8 Lid Replacement Kit Metal	-	-	-	39-6A925	-	39-6A925	-	39-9A925	39-2A925
9 Pawl Replacement Kit Polyester	31-1A824	31-3A824	31-6A824	-	31-6A824	-	61-9A824	-	-
9 Pawl Replacement Kit Metal	39-1A824	39-3A824	39-6A824	39-6A824	39-6A824	39-6A824	69-9A924	39-9A824	39-2A824

\* Voltage and phasing positions must be specified (5th, 6th & 7th digit of Part #) to duplicate your shutter and alignment notches.

\*\* For appropriate labeling on a device, please specify voltage, phasing, and product type.

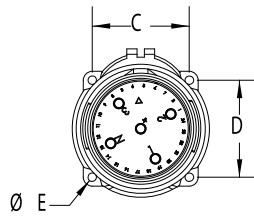
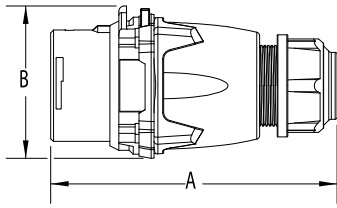
\*\*\* For interiors with more than 2 pilot contacts, contact Customer Service for part numbers.

+ For interiors with more than 2 pilot contacts, contact Customer Service for part numbers.

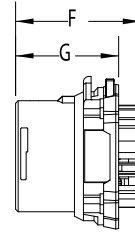
# DS DIMENSIONS – Provided in inches

Dimensions are for reference only and may change depending on accessories used. For precise dimensions contact MELTRIC Engineering.

## Plug

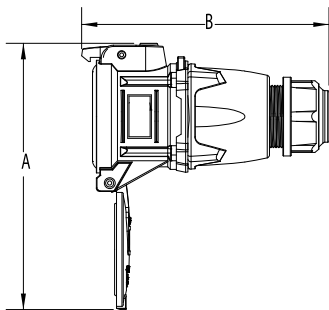


## Inlet

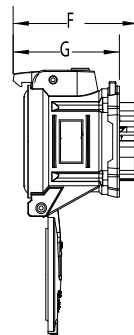
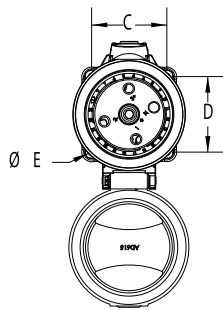


PRODUCT	A	B	C	D	ØE	F	G
DS20	5.72	2.79	1.89	1.89	0.2	2.28	1.86
DS30	6.15	3.23	2.17	2.17	0.2	2.93	2.07
DS60/DS100c/DS7c	6.70	3.77	2.59	2.59	0.24	3.42	2.38
DS100	8.33	4.59	3.20	3.2	0.24	4.14	3.04
DS200	10.30	5.67	3.86	3.86	0.26	4.66	3.20

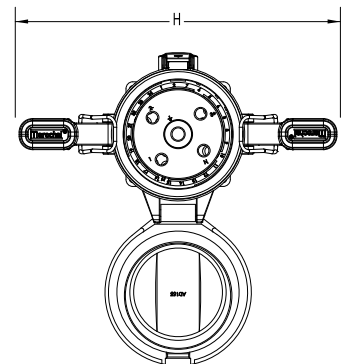
## Connector



## Receptacle

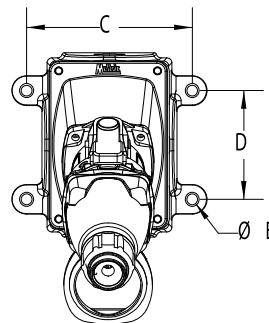
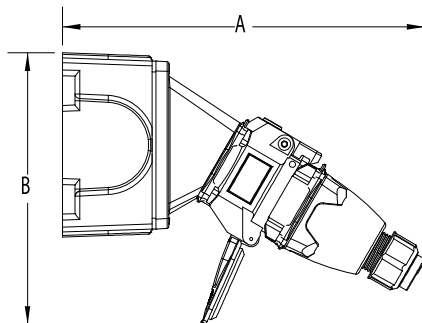


## Extended Draw bars



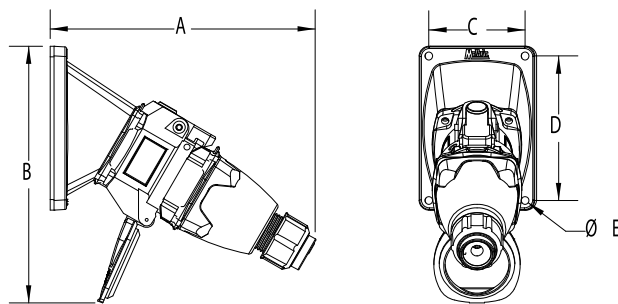
PRODUCT	A	B	C	D	ØE	F	G	H
DS20	6.32	6.38	1.89	1.89	0.2	3.3	2.60	N/A
DS30	7.16	6.93	2.17	2.17	0.2	3.73	2.87	N/A
DS60/DS100c/DS7c	8.46	7.75	2.59	2.59	0.22	4.53	3.37	N/A
DS100	11.04	10.02	3.20	3.2	0.23	5.71	4.74	11.25
DS200	11.54	10.87	3.86	3.86	0.26	6.21	4.75	12.07

## Box/30° Angle/ Receptacle/Plug



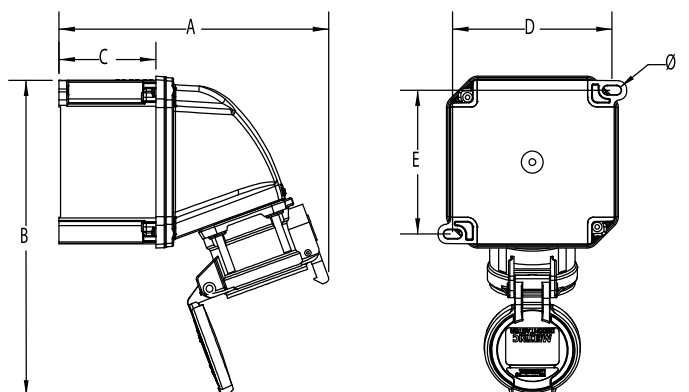
PRODUCT	A	B	C	D	ØE
DS20	9.84	7.29	4.19	2.75	0.27
DS30	10.30	8.39	4.19	2.75	0.27
DS60/DS100c/DS7c	11.87	10.45	5.00	3.81	0.33
DS100	16.06	11.77	6.75	4.25	0.31
DS200	15.76	11.54	8.13	6.38	0.31

**30° Angle/Receptacle/Plug**



PRODUCT	A	B	C	D	øE
DS20	7.60	7.87	2.50	3.75	0.22
DS30	8.19	8.44	2.50	3.75	0.22
DS60/DS100c/DS7c	9.17	10.16	3.43	4.83	0.26
DS100	14.09	12.05	4.83	4.83	0.28
DS200	11.61	15.03	6.50	6.50	0.25

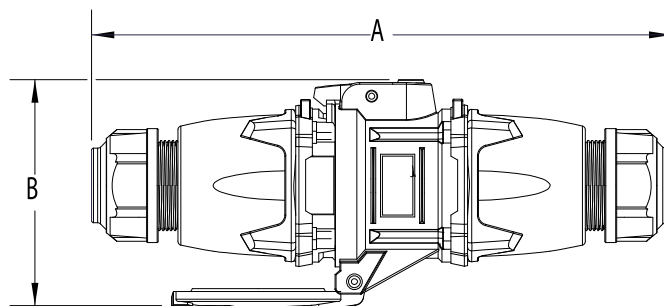
**70° Wall Box/Receptacle**



PRODUCT	A	B	C	D	E	øF
DS20	7.78	9.11	2.80	4.60	4.15	0.26
DS30*	8.91	11.55	2.80	6.17	5.73	0.26
DS60/DS100c/DS7c*	9.07	12.24	2.80	6.17	5.73	0.26

\* Box has 4 mounting feet

**Plug/Connector**



PRODUCT	A	B
DS20	10.20	4.61
DS30	10.91	5.71
DS60/DS100c/DS7c	12.17	6.57
DS100	19.53	8.03
DS200	23.15	8.00