



Gas Insulated Switchgear

72.5 - 800kV - Advanced Technology in a Modular, Flexible, and Compact Design



with Primary Plus™

Pre-engineered solution set that digitizes XD|GE primary equipment and provides factory installed and configured protection, monitoring, diagnostics and communications.



GE
Digital Energy



420kV Gas Insulated Switchgear

One of the Largest GIS Vendors in the World

For over a century, utilities around the world have relied on GE to deliver products and services to increase power system, and improve grid resiliency and responsiveness. As a global leader in providing grid infrastructure products and services, GE supports a broad set of utility applications ranging from transmission and substation automation to distribution networks and smart metering, enabling greater safety, connectivity and increased security.

Through an alliance with XD Electric®, GE has extended its portfolio to include all high, extra-high, and ultra high-voltage power equipment supporting the highest transmission voltage levels in the world. XD Electric is one of China's largest primary equipment manufacturers dedicated to the research, application and development of high and ultra high-voltage power transmission solutions. XD Electric has a broad range of products to transform and direct the flow of power for industrial, commercial and residential users.

The XD|GE alliance provides end-to-end transmission solutions to meet the global growing demand for electricity. The combined portfolios of GE and XD provide a comprehensive range of technology solutions designed to address the unique challenges faced by the utility sector and energy intensive industries.

Performance Quality in a Compact, Flexible Design

XD|GE provides Gas Insulated Switchgear (GIS) solutions for high to ultra high-voltage power transmission and distribution networks.

We offer a highly reliable, compact GIS that lowers installation space and reduces maintenance requirements. Designed with light-weight, durable aluminum enclosures, total load on the foundation and building floors is significantly reduced. The XD|GE GIS requires a low level of maintenance throughout the life of the product. The main components, including circuit breakers, disconnectors, earthing switches, and operating mechanisms, are designed for a normal operation of more than 30 years.



Key Features & Benefits

Designed for Reliability and Safety

Our design features a minimum number of moving parts and live parts have been enclosed to protect the insulation system against the external environment.

Durability

To ensure durability, we employ the latest digital machinery technology including the cold flanging and welding of high-strength aluminum enclosures, epoxy resin casting of insulators, and high-strength aluminum alloy casting.

Lower Cost of Ownership

High-grade materials and components provide a maximum life cycle of greater than 30 years and reduced maintenance over the life of the product. Our designs utilize light-weight aluminum which reduces the costs of civil work and foundation preparation, and provides easy bay access resulting in less scheduled downtime for maintenance and repair.

Compact and Flexible

Our design optimizes the space available for installation and allows for customizable electrical setups that permit new adaptations and upgrades at any time.

Primary Plus



XD|GE offers Primary Plus on all its primary equipment. Primary Plus is a pre-engineered solution set that provides utilities with a means to reduce the time and labor associated with substation construction and expansion, while at the same time utilizing technologies and methodologies familiar to existing resources.

XD|GE's factory installed and configured solutions include:

- Digitizing primary equipment by replacing labor-intensive, individually terminated copper wires with standardized physical interfaces and open digital communications
- Electrical protection systems optimized for the equipment and application to monitor and react to fault conditions
- Monitoring and diagnostics of critical primary assets to predict problems and proactively manage performance
- Highly secure and ruggedized communication network equipment including industrial strength wireless, fiber optic multiplexers and Ethernet switches

XD|GE has delivered more than 20,000 bays including 631 bays of 363kV and above and 24 bays of 800kV and above.

XD|GE is one of the most reliable Gas Insulated Switchgear suppliers with one of the lowest average fault rates in the world according to a SGCC Service Report.

The quality of our gas insulated switchgear is the result of a rigorous standard quality management system, which has been certified in accordance with ISO® 9001.

With experience in development, engineering, manufacturing and project delivery of gas insulated switchgear, XD|GE has the proven experience to successfully implement these critical assets, even in the most challenging environments and applications around the world.

Product Portfolio

The XD|GE portfolio for gas insulated high-voltage switchgear includes several flexible and modular models from 72kV to 800kV.

	Unit	ZF7-72.5	ZF7A-126	ZF7A-145	ZF9-252	ZF9-363	ZF9-420	ZF8-550	ZF8-800
Rated voltage	kV	72.5	126	145	252	363	420	550	800
Rated current	A	3150	3150	3150	4000	4000	4000	4000/5000 /6000	5000
Rated frequency	Hz	50/60	50/60	50/60	50/60	50/60	50	50/60	50
Rated power frequency withstand voltage, 1 min (*)	kV	160	230	275	460	520	650	740	960
Rated lightning impulse withstand voltage (*)	kV	350	550	650	1050	1175	1425	1675	2100
Rated short circuit breaking current	kA	40	40	40	50/63	50/63	50/63	50/63	50

(*) Phase to earth

GIS with Voltage up to 72.5kV

Overview

Model Numbers: ZF7-72.5/T3150-40

The 72.5kV/3150A/40kA spring operated GIS has been fully type tested with certification from both KEMA® of Holland and CESI® of Italy. The product is characterized by a three phase common design, spring/spring operated mechanism, superior insulating and breaking capabilities delivering highly reliable and flexible GIS solutions for transmission and distribution.

Key Features

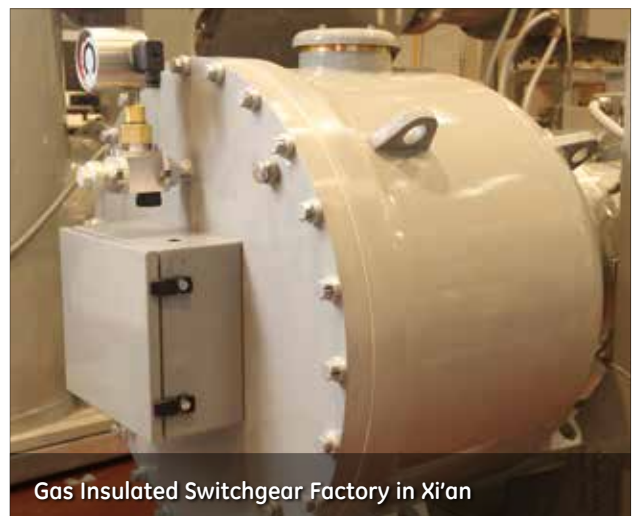
- 3 Phase common single and double bus bar arrangements
- Compact design with following outline dimensions:
L x W x H: 4150mm x 780mm x 2400mm
- Circuit breaker with spring operating mechanism, type CT20
- 3 position Disconnecter and Earthing switch (DES) equipped with motor mechanism
- Fast Earthing Switch (FES) is equipped with a spring mechanism
- 20 year maintenance cycle time
- Built-in grounding switches
- Exclusive sealing technology (less than 0.5% leakage rate per year)
- Suitable for indoor and outdoor substations up to 72.5kV, 40kA, 3150A
- Complete, assembled bay fits within one standard shipping container

Benefits

Large insulating margin: Electrical field intensity of the surfaces of insulating parts and conductors are designed to be kept at a low, reliable level, through the optimization of electrode profiles, materials used and manufacturing techniques.

Excellent interrupting property: The interrupter adopts the advanced arc extinguishing technology by utilizing both the arc energy and spring mechanism energy. This delivers reliable breaking of fault current and load current at all levels up to its rated values.

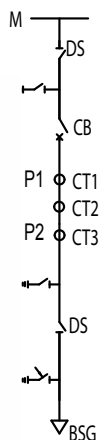
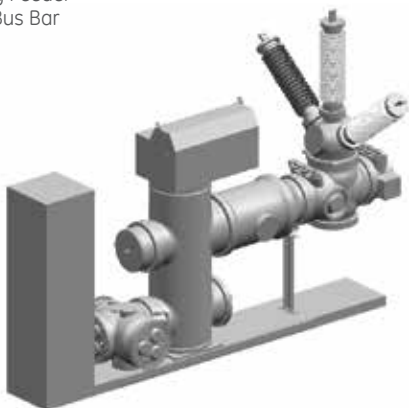
Excellent seismic-withstand capability: The overall design features a simple structure that is light weight and has a low center of gravity which provide the necessary strength to withstand large seismic events.



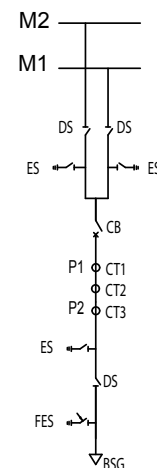
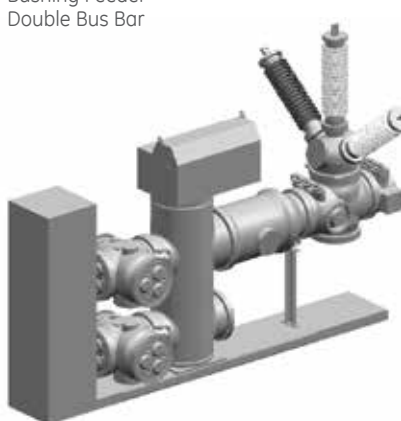
GIS with Voltage up to 72.5kV

Applications & Bay Configurations

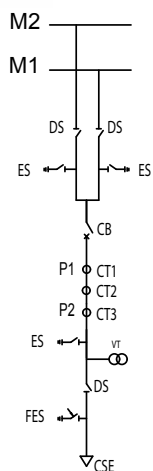
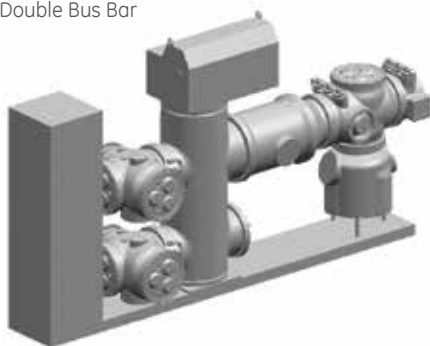
Bushing Feeder
Single Bus Bar



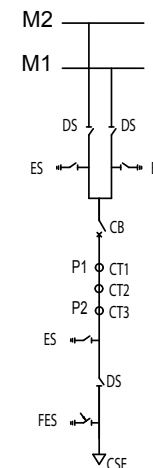
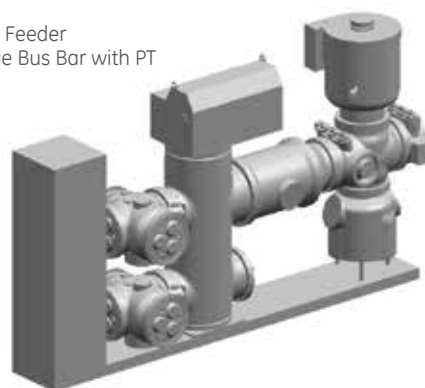
Bushing Feeder
Double Bus Bar



Cable Feeder
Double Bus Bar



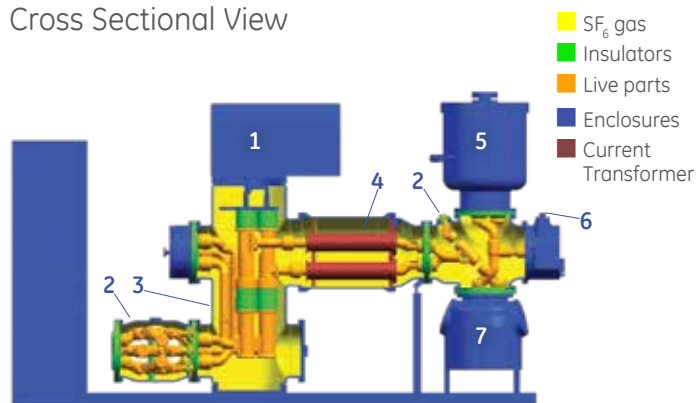
Cable Feeder
Double Bus Bar with PT



Specifications of 72.5kV GIS

	Unit	ZF7-72.5
Rated voltage	kV	72.5
Rated current	A	3150
Rated frequency	Hz	50/60
Rated power frequency withstand voltage, 1 min (*)	kV	160
Rated lightning impulse withstand voltage (*)	kV	350
Rated short circuit breaking current	KA	40
Breaker mechanism type		Spring

Cross Sectional View



- 1. Spring operating mechanism
- 2. Disconnecter and earthing switchgear
- 3. Circuit breaker
- 4. Current transformer
- 5. Voltage transformer
- 6. Fast Earthing Switch
- 7. Cable-sealing-end chamber

GIS with Voltage up to 126kV & 145kV

Overview

Model Numbers: ZF7A-126 / ZF7A-145/T3150-40

This 145kV/3150A/40kA spring operated GIS is very similar to the 72.5kV design. It was also type tested by both KEMA of Holland and CESI of Italy. The product is characterized by a three phase common design, spring/spring operated mechanism, superior insulating and breaking capabilities. For this design type, over 14,000 bays of GIS have been put into service in power stations and transmission networks worldwide.

Key Features

- 3 Phase common single and double bus bar arrangements
- Compact GIS with reduced dimensions:
L x W x H: 6600mm x 800mm x 3150mm
- Circuit breaker with spring operating mechanism, type CT20
- 3 position Disconnecter and Earthing Switch (DES)
- DES is equipped with a motor mechanism
- Fast Earthing Switch (FES) is equipped with a spring mechanism
- 20 year maintenance cycle time
- Built-in grounding switches
- Exclusive sealing technology (less than 0.5% leakage rate per year)
- Suitable for Indoor substations up to 145kV, 40kA, 3150A
- Complete, assembled bay fits within one standard shipping container
- Built-in grounding switches

Benefits

Large insulating margin: Electrical field intensity of the surfaces of insulating parts and conductors is designed to be kept at a low, reliable level through optimization of electrode profiles, material used and manufacturing techniques.

Excellent interrupting property: The interrupter adopts the advanced arc extinguishing technology by utilizing both the arc energy and spring mechanism energy, so that it can reliably break fault current and load current at all levels up to its rated values.

Excellent seismic-withstand capability: The overall design has the features of simple structure, light-weight, low gravity, which provide excellent seismic withstand capability.



126kV Gas Insulated Switchgear



126kV Gas Insulated Switchgear

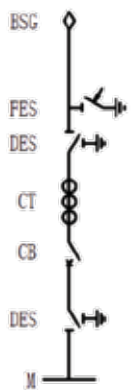
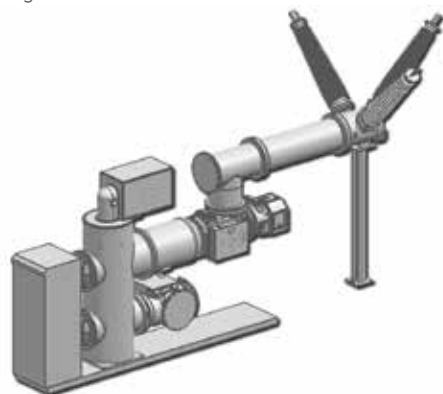


145kV Gas Insulated Switchgear in Hong Kong

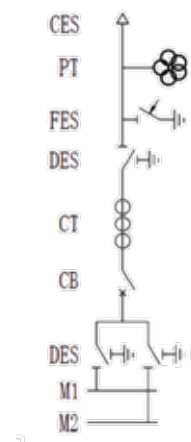
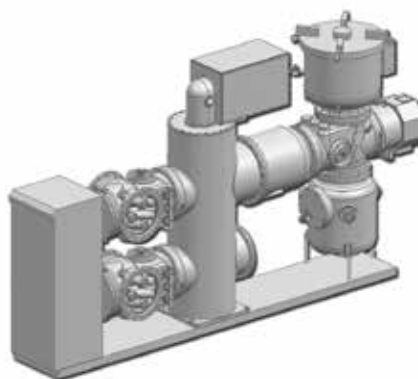
GIS with Voltage up to 126kV & 145kV

Applications & Bay Configurations

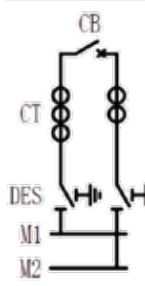
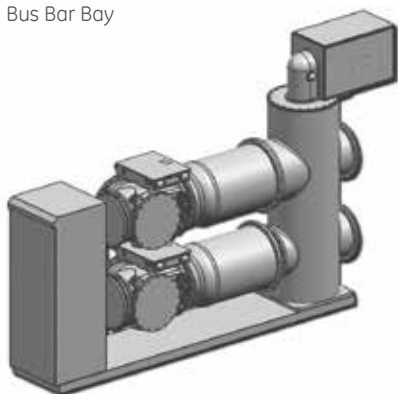
Single Bus Bar



Double Bus Bar



Bus Bar Bay

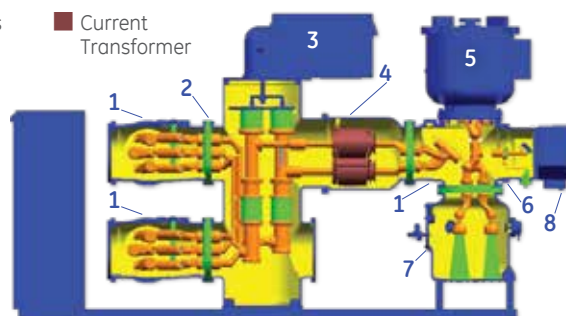


Specifications of 126kV and 145kV GIS

	Unit	ZF7A-126	ZF7A-145
Rated voltage	kV	126	145
Rated current	A	3150	3150
Rated frequency	Hz	50/60	50/60
Rated power frequency withstand voltage, 1 min (*)	kV	230	275
Rated lightning impulse withstand voltage (*)	kV	550	650
Rated short circuit breaking current	kA	40	40
Breaker mechanism type		Spring	Spring

Cross Sectional View

- SF₆ gas
- Insulators
- Live parts
- Enclosures
- Current Transformer



- 1. Disconnecter and earthing switchgear
- 2. Circuit breaker
- 3. Spring operating mechanism
- 4. Current transformer
- 5. Voltage transformer
- 6. Fast Earthing Switch
- 7. Cable-sealing-end chamber
- 8. Motor-spring mechanism

GIS with Voltage up to 252kV

Overview

Model Numbers: ZF9-252/T4000-50 and ZF9-252/Y4000-63

For over 10 years XD Electric has been supplying 252kV class, indoor GIS solutions within substations around the world. Since its introduction, over 4,500 bays have been installed and are in service today.

Purposefully designed with operating components contained within a sealed metal container that is filled with insulating gas, this GIS class reduces installation space requirements, is more resistant to weather impacts, and is easier to maintain.

With future expansion in mind, the 252kV GIS is able to grow with your system and still adhere to wiring requirements and standards. For greater application flexibility, the 252kV GIS can be constructed as individual phase or three phase common busbar.

Key Features

- Innovative design that offers a three phase common busbar and single phase circuit breaker enclosure
- Compact GIS with reduced dimensions:
L x W x H: 6600mm x 1800mm x 3150mm
- Circuit breaker operating mechanism with either spring (50kA) or hydro-mechanical (63kA) device
- For horizontal circuit breaker configurations, an electrical control bay operates all three phases at the same time
- Built-in grounding switches
- 3 position Disconnecter and Earthing Switch (DES)
- Exclusive sealing technology (less than 0.5% leakage rate per year)
- 20 year maintenance cycle time

Benefits

Smaller footprint: With a bay designed to fit on a standard transport vehicle transportation and installation costs are reduced and the need for specialized transportation equipment is eliminated.

Ease of installation: The integration of the local control panel and GIS results in a compact design coupled with secondary wiring arrangements completed in the factory, on-site installation and commissioning work is reduced, saving project time and money.

High reliability: For the Disconnect Switch, Earthing Switch, and Fast Earthing Switch components, the mechanisms for all three phases are directly connected, delivering a compact structure with greater reliability.

Ease of transportation: As the mechanical assemblies are a compact three phase common enclosure that contains just a few moving parts, adjustments between phases is reduced. The equipment's compact design also considerably reduces transportation costs and on-site installation time.



252kV Gas Insulated Switchgear



252kV Gas Insulated Switchgear

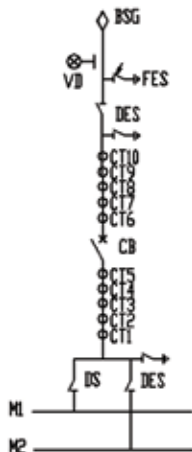
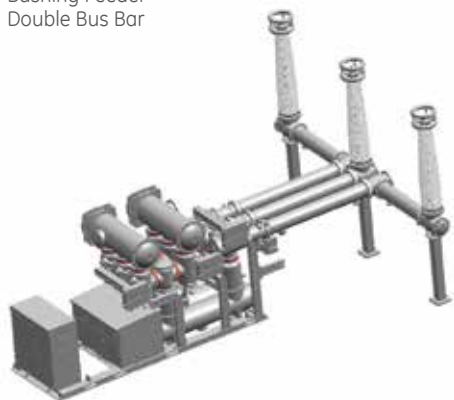


252kV Gas Insulated Switchgear

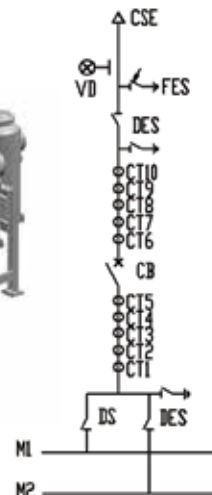
GIS with Voltage up to 252kV

Applications & Bay Configurations

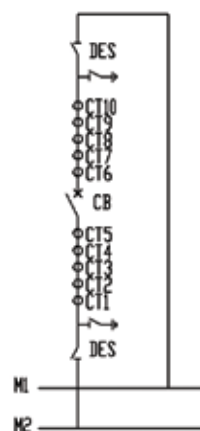
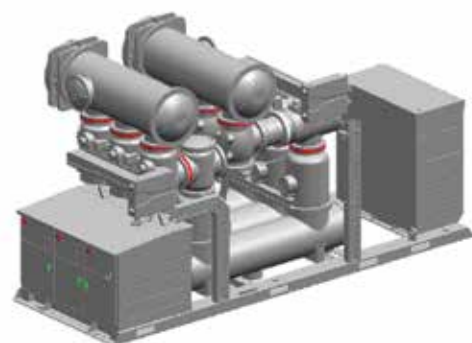
Bushing Feeder
Double Bus Bar



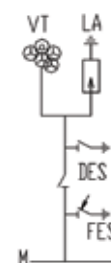
Cable Feeder
Double Bus Bar



Bus Bar
Coupling Bay



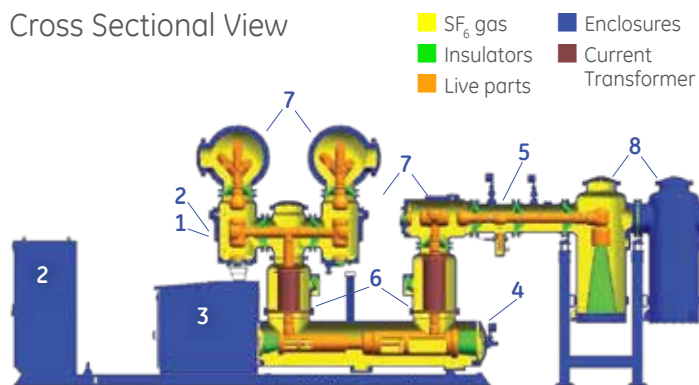
Measurement &
Protection Bay



Specifications of 252kV GIS

	Unit	ZF9-252
Rated voltage	kV	252
Rated current	A	4000
Rated frequency	Hz	50/60
Rated power frequency withstand voltage, 1 min (*)	kV	460
Rated lightning impulse withstand voltage (*)	kV	1050
Rated short circuit breaking current	kA	50
Breaker mechanism type		Spring /Hydro-mechanical

Cross Sectional View



- 1. Disconnect Switch
- 2. Earthing Switch
- 3. Motor operating mechanism
- 4. Circuit breaker
- 5. Hydro-mechanical mechanism
- 6. Current transformer
- 7. Main bus
- 8. Enclosure

GIS with Voltage up to 363kV

Overview

Model Numbers: ZF9-363/Y4000-50 & ZF9-363/Y4000-63

XD|GE is one of the first manufacturers of 363kV Gas Insulated Switchgear in China, and continues to be an industry leader when it comes to the design, manufacturing, management, and testing of this high voltage primary equipment. With more than 550 bays installed and in operation, the ZF9-363 family of GIS is designed to both IEC® and ANSI®/IEEE® standards. Utility customers have come to rely on XD|GE to provide advanced parameters, reliable function, simplified operation, and reduced maintenance.

Key Features

- Single or three phase enclosure design
- Dimensions:
L x W x H: 7190mmX2700mmX7285mm (bushing height)
- Vertical and single break circuit breaker design
- Circuit breaker with hydro-mechanical operating mechanism
- Disconnect and Earthing switches with motor operating mechanism
- Fast Earthing Switch with motor driven spring mechanism
- Exclusive sealing technology (less than 0.5% leakage rate per year)
- Built-in grounding switches

Benefits

Ease of installation: The integration of the local control panel and GIS results in a compact design coupled with secondary wiring arrangements completed in the factory, on-site installation and commissioning work is reduced, saving project time and money.

Standardized modular design: XD|GE's standardized and modular design serves as the basis for various configurations allowing for maximum application flexibility with the fewest number of components.

Online monitoring: XD|GE meets all the requirements of an intelligent power station. With integrated electronic current transformers (ECT) and electronic voltage measurement, utilities are provided with the ability to monitor SF₆ gas, partial discharge, and mechanical behaviors online.



363kV Gas Insulated Switchgear at Golmud Substation



363kV Gas Insulated Switchgear

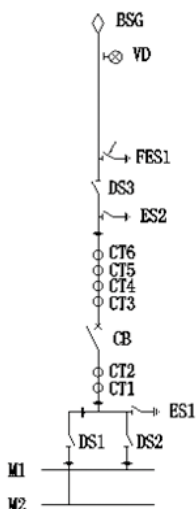
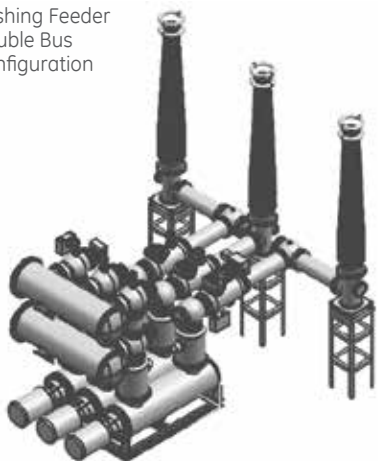


363kV Gas Insulated Switchgear in Weenan, Shaanxi

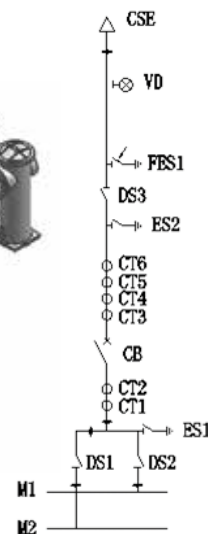
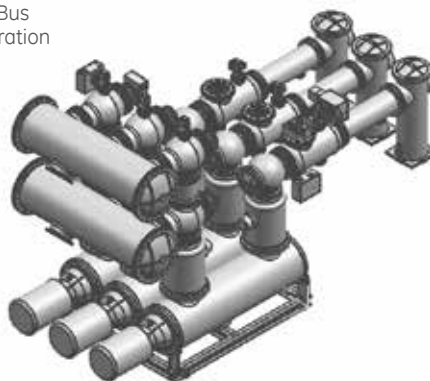
GIS with Voltage up to 363kV

Applications & Bay Configurations

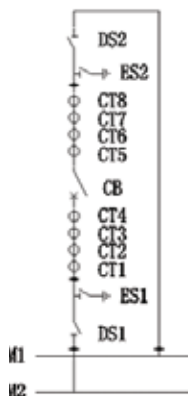
Bushing Feeder Double Bus Configuration



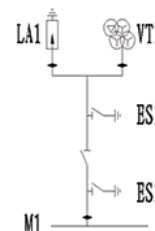
Cable Feeder Double Bus Configuration



Bus Coupling Bay Configuration



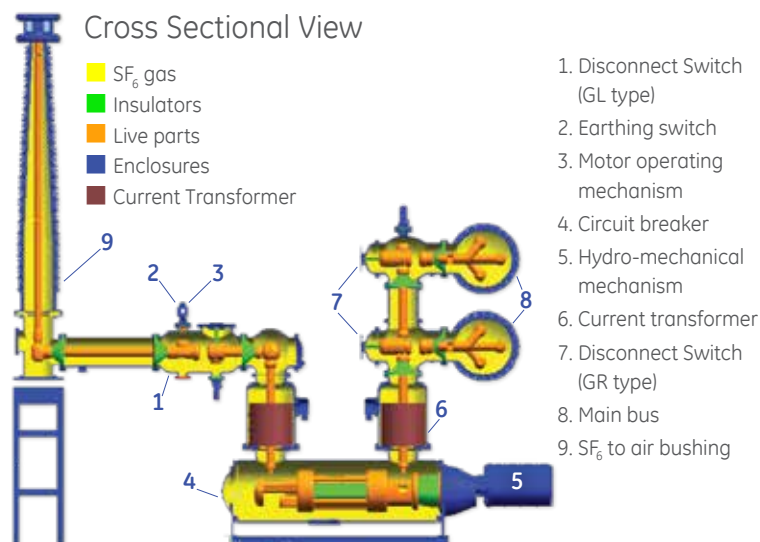
Measurement and Protection Bay Configuration



Specifications of 363kV GIS

	Unit	ZF9-363
Rated voltage	kV	363
Rated current	A	4000
Rated frequency	Hz	50/60
Rated power frequency withstand voltage, 1 min (*)	kV	520
Rated lightning impulse withstand voltage (*)	kV	1175
Rated short circuit breaking current	kA	63
Breaker mechanism type		Hydro-mechanical

Cross Sectional View



GIS with Voltage up to 420kV

Overview

Model Numbers: ZF9-420(L)/Y4000-50

XD|GE's ZF9-420(L) family of 4000A 50kA hydro-mechanical GIS features a compact structure with flexible arrangement options to meet the unique needs of most high voltage transmissions systems. The ZF9-420 has been designed, tested, and certified to meet type test requirement per IEC standards. With standard and modular design options that save on the number of required components, substation arrangement is made easier ensuring reduced design time and substation complexity.

The ZF9-420 delivers advanced GIS technologies, reliability, easy operation and reduced maintenance efforts in one compact package.

Key Features

- Single phase enclosure in a modular, flexible and compact design
- Long time constant (120ms) fault current interrupting capability
- Strong light-weight aluminum enclosure
- Dimensions:
L x W x H: 5514mm x 3024mm x 6284mm
- Horizontal circuit breaker with spring hydro-mechanical operating mechanism
- 50kA rated short circuit current with peak withstand capability of 125kA
- Disconnect and Earthing Switches with motor operating mechanism or optional IPO or gang operated
- Fast Earthing Switch (FES) with motor-spring mechanism
- Exclusive sealing technology (0.5% leakage rate per year)
- Built-in grounding switches
- Pre-assembled and factory tested bays

Benefits

Optimized & compact design: With a design that utilizes both standard and modular design components, pre-assembled bays, and arrangement flexibility, the ZF9-420 reduces site civil work, installation time and commissioning effort.

Enhanced control & monitoring: To ensure ease of integration into new or existing substation control networks and connectivity to the control center, the ZF9-420 is equipped with an Ethernet fiber optic connection.

Excellent interrupting property: The interrupter adopts the advanced arc extinguishing by utilizing both arc and mechanism energy, to reliably break fault and load currents up to rated 50kA short circuit current with a peak short circuit withstand capability of 125kA.



420kV Gas Insulated Switchgear



420kV Gas Insulated Switchgear

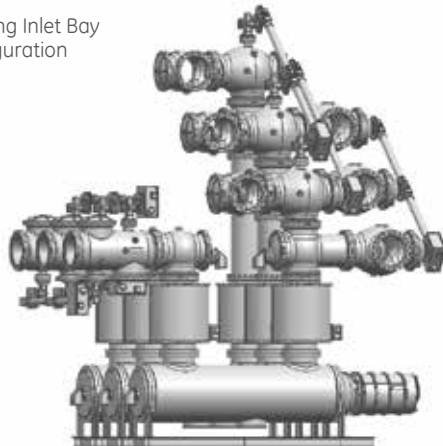


Gas Insulated Switchgear Factory in Xi'an

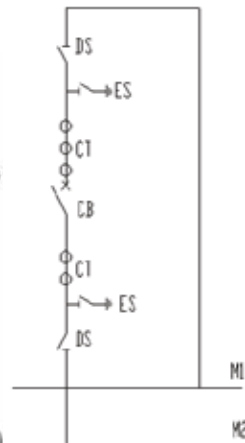
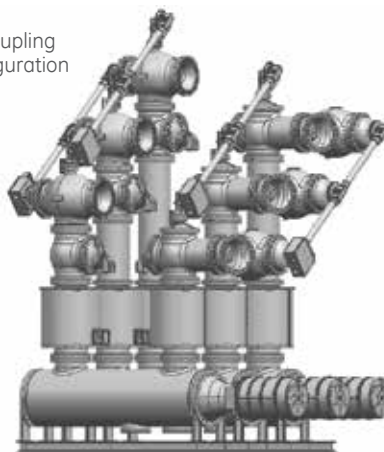
GIS with Voltage up to 420kV

Applications & Bay Configurations

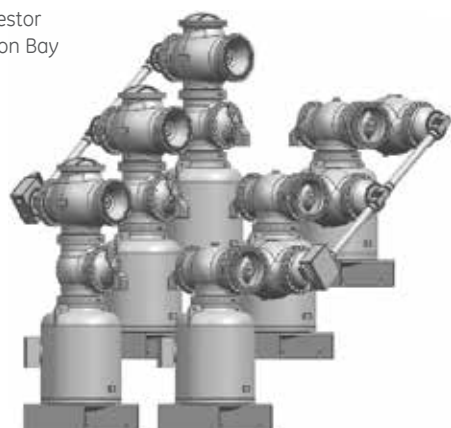
Bushing Inlet Bay Configuration



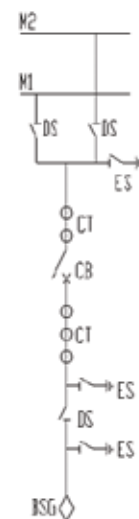
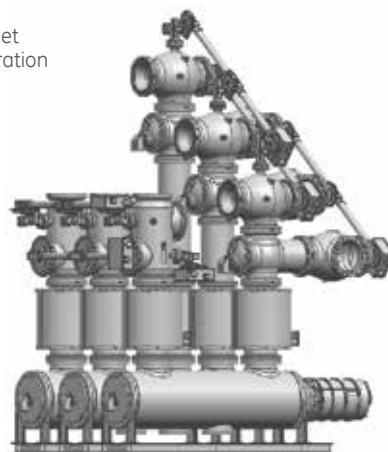
Busbar Coupling Bay Configuration



3VT/Arrestor Protection Bay



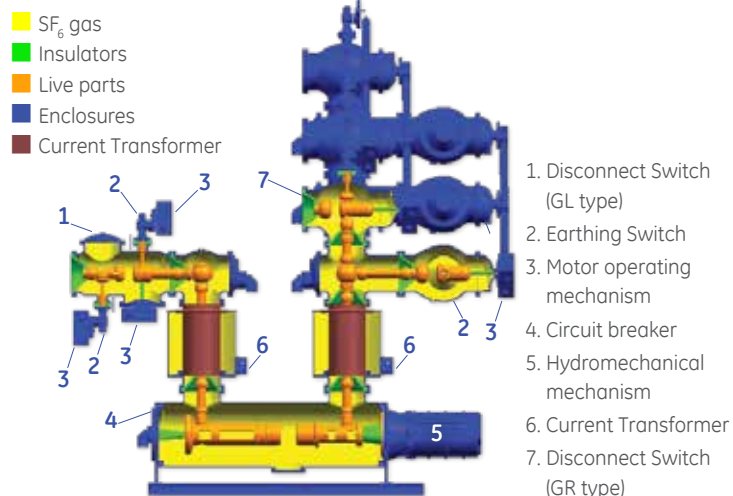
Bushing Outlet Bay Configuration



Specifications of 420kV GIS

	Unit	ZF9-420
Rated voltage	kV	420
Rated current	A	4000
Rated frequency	Hz	50
Rated power frequency withstand voltage, 1 min (*)	kV	650
Rated lightning impulse withstand voltage (*)	kV	1425
Rated short circuit breaking current	kA	50
Breaker mechanism type		Hydro-mechanical

Cross Sectional View



GIS with Voltage up to 550kV

Overview

Model Numbers: ZF8-550/Y5000-63

The ZF8-550 GIS offers a flexible, modular, and compact approach to gas insulated switchgear. With a single phase encapsulated structure and strong seismic-resistance, the ZF8-550 is suitable for both indoor or outdoor applications.

With layout flexibility, the ZF8-550 GIS consists of a circuit breaker, disconnecter, earthing switch, current transformer, voltage transformer, surge arrester, busbar and bushings, and can be configured to meet the needs of every unique customer configuration.

Key Features

- Single Phase enclosure design
- Dimensions:
L x W x H: 5200mm x 4500mm x 3000mm
- Bay depth: 4500mm
- Horizontal circuit breaker with spring hydro-mechanical driven operating mechanism
- Capable of interrupting fault currents with a long time constant (120ms)
- 63kA rated short circuit current with peak withstand capability of 171kA
- Disconnect and Earthing Switches with motor driven mechanism
- Fast Earth Switch (FES) with motor-spring operating mechanism
- Exclusive sealing technology (0.5% leakage rate per year)
- Built-in grounding switches
- Pre-assembled and factory tested bays

Benefits

Reliable and superior interrupting performance: The ZF8-550 offers one of the industry's best short circuit performance ratings, to a maximum breaking capability of 70kA. Focused on reliability, the ZF8-550 features a unique interrupter design that utilizes a minimum number of components, resulting in a high performance and highly reliable GIS solution.

Reduced on-site commissioning time & effort: Assembled in large-scale assembly workshops and packed individually as complete functional elements, transportation and on-site commissioning is greatly simplified.

Built for life: The ZF8-550 offers an advanced and unique gas sealing structure that delivers industry leading performance and reliability. With an average annual gas leakage rate less than 0.5%, XD|GE GIS are built to operate more than 30 years before requiring gas refill.

Excellent interrupting property: The interrupter adopts the advanced arc and mechanism energy, to reliably break fault and load currents up to a rated 63kA short circuit current with a peak short circuit withstand capability of 171kA.



550kV Gas Insulated Switchgear



550kV Hybrid Gas Insulated Switchgear

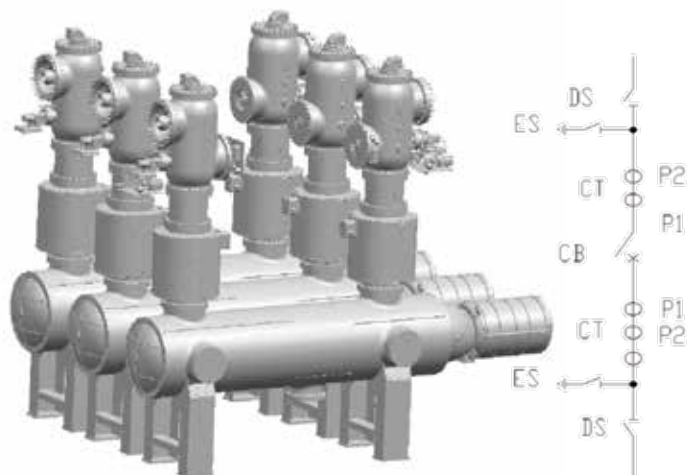


550kV Hybrid Gas Insulated Switchgear

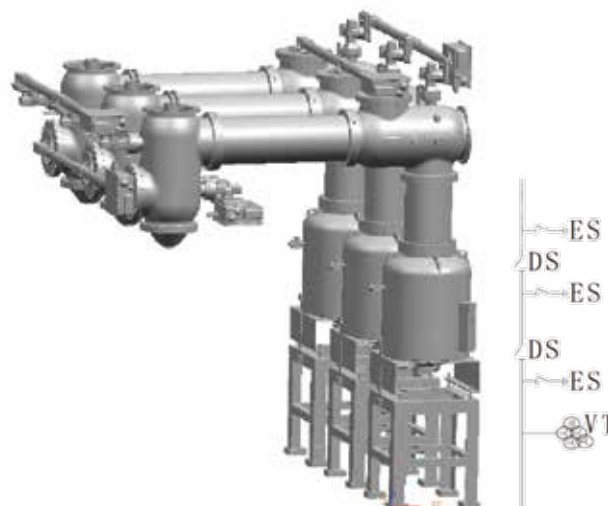
GIS with Voltage up to 550kV

Applications & Bay Configurations

Incoming & Outgoing Bay Configuration



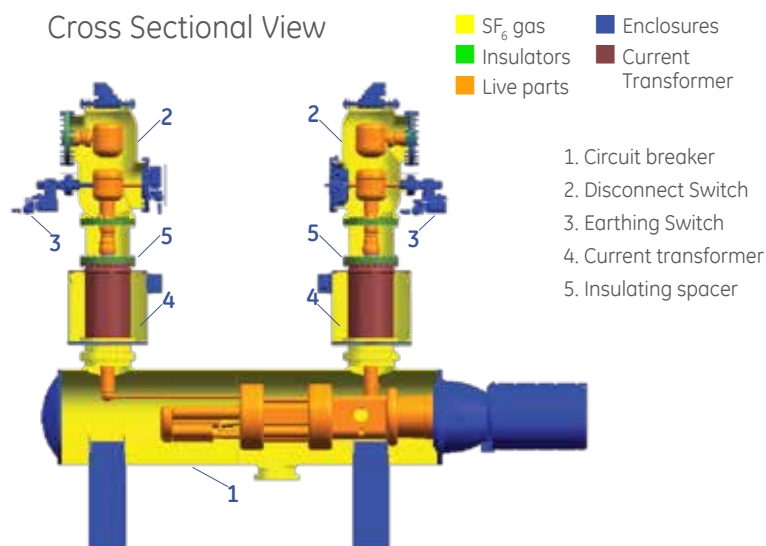
Protection Bay Configuration



Specifications of 550kV GIS

	Unit	ZF8-550
Rated voltage	kV	550
Rated current	A	4000/5000 /6000
Rated frequency	Hz	50/60
Rated power frequency withstand voltage, 1 min (*)	kV	740
Rated lightning impulse withstand voltage (*)	kV	1675
Rated short circuit breaking current	kA	50/63
Breaker mechanism type		Hydro-mechanical

Cross Sectional View



GIS with Voltage up to 800kV

Overview

Model Numbers: ZF8-800/Y5000-63

XD|GE's ZF8-800 GIS uses proven technologies found in series oriented double 420kV breaks for increased operating performance. Key components of the ZF8-800 have been designed, engineered, manufactured, and tested to meet the requirements of 1100kV GIS, ensuring increased operational reliability.

With a modular construction, stable operation features, advanced sealing technology, and spring disks for energy storage, physical space requirements are reduced and safety is improved.

Disconnect and Earthing Switches are shipped as pre-assembled and tested units. Shipping, installation, commissioning is simplified reducing project time and costs.

Key Features

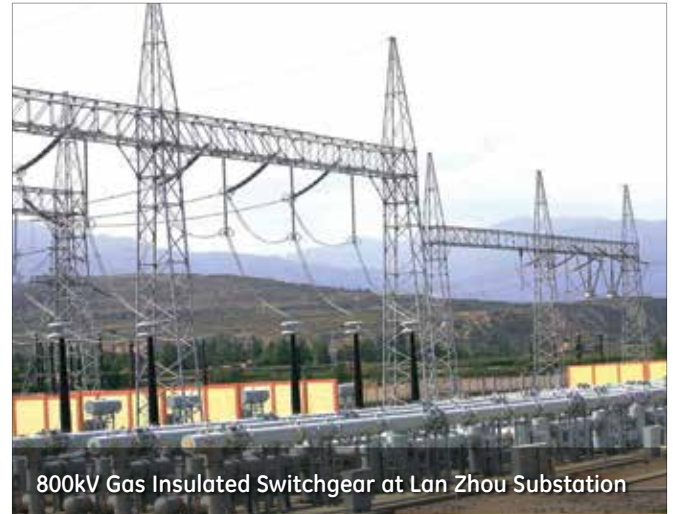
- Modular design with the following outline dimensions:
L x W x H: 6000mm x 2000mm x 5300mm
- 50kA rated short circuit current withstand
- Closing resistor used for disconnect switches
- Horizontal circuit breaker with spring hydro-mechanical driven operating mechanism
- Disconnect and Earthing Switches with motor driven mechanism
- Fast Earthing Switch (FES) with motor-spring operating mechanism
- Exclusive sealing technology (less than 0.5% leakage rate per year)
- Built-in grounding switches
- Pre-assembled and factory tested bays

Benefits

High operation reliability & superior interrupting: The ZF8-800 offers one of the industry's best performance ratings. Designed, manufactured, and tested based on a 1100kV specification, the ZF8-800 delivers the reliability required for challenging and complex transmission applications. Further, the ZF8-800 meets a 50kA rated short circuit current withstand and features a unique interrupter design that minimizes the number of required components.

Reduced on-site commissioning time & effort: Assembled in large-scale assembly workshops and packed individually as complete functional elements, transportation and on-site commissioning is greatly simplified.

Built for life: The ZF8-800 offers an advanced and unique gas sealing structure that delivers industry leading performance and reliability. With an average annual gas leakage rate of less than 0.5% per year, XD|GE GIS is built to operate more than 30 years.



800kV Gas Insulated Switchgear at Lan Zhou Substation



800kV Gas Insulated Switchgear

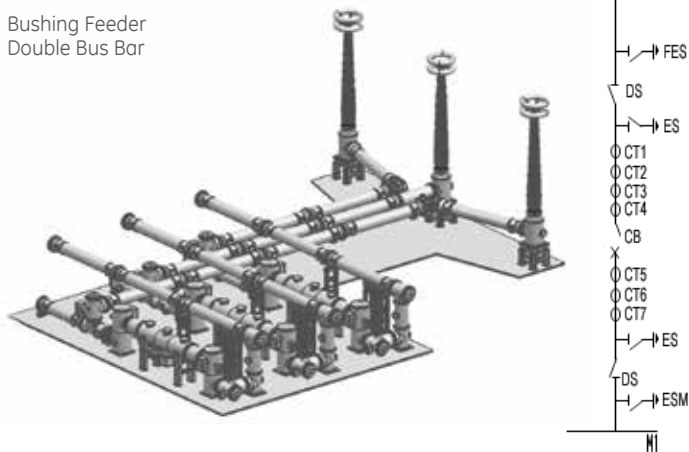


800kV Epoxy Resin Casting

GIS with Voltage up to 800kV

Applications & Bay Configurations

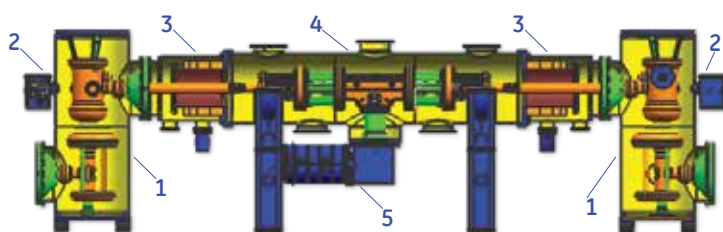
Bushing Feeder
Double Bus Bar



Cross Sectional View

- SF₆ gas
- Enclosures
- Insulators
- Current Transformer
- Live parts

1. Disconnect Switch
2. Earthing switchgear
3. Current transformer
4. Circuit breaker
5. Hydro-mechanical mechanism



Specifications of 800kV GIS

	Unit	ZF8-800
Rated voltage	kV	800
Rated current	A	5000
Rated frequency	Hz	50
Rated power frequency withstand voltage, 1 min (*)	kV	960
Rated lightning impulse withstand voltage (*)	kV	2100
Rated short circuit breaking current	kA	50
Breaker mechanism type		Hydro-mechanical



800kV Gas Insulated Switchgear at Bin Chang Substation

Technology

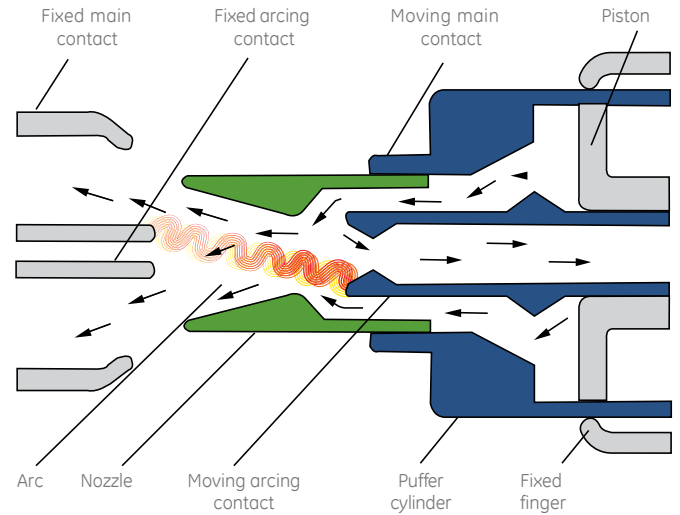
For voltage ratings below 420kV, the circuit breaker is in a single break arrangement. Above 420kV, the circuit breaker is a double-break in the horizontal arrangement, with parallel capacitors. Adopting SF₆ gas as an arc extinguishing medium, the interrupter is designed as a puffer type. The contact nozzle structure allows for a short circuit current rating of 67kA and meets all required breaking abilities, including out of phase and short line fault.

Interrupter

The figure to the right shows the principle construction of the interrupter. The pressure of the gas in the puffer cylinder goes up when the gas is heated by the arc and then compressed by the opening movement of the puffer cylinder.

The pressurized and compressed gas then goes to the arc between the stationary contact and the moving contact. The nozzle concentrates the gas flow to the arc for efficient cooling.

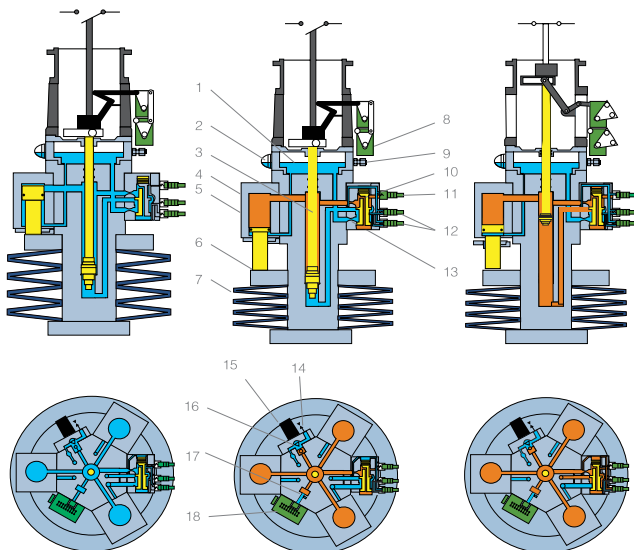
Construction and Key Components of the GIS Interrupter Module



Hydromechanical Operating Mechanism

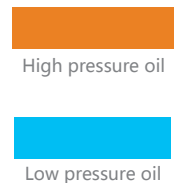
The hydromechanical mechanism has a modular design that allows for easy maintenance. Disc springs are used to store the energy for operating the breaker. The mechanism has two independent control valves for opening to ensure reliable operation. The direct connection to the interrupter provides

a one to one travel distance between the interrupter and the mechanism. This mechanism can be operated either in single phase or in three phase electrically, and can be gang-operated in three phase mechanically.



a. Uncharged, open position b. Charged, open position c. Charged, closed position

1. Low pressure oil tank
2. Oil lever indicator
3. Operating piston rod
4. High pressure oil tank
5. Piston for charge
6. Support ring
7. Disk spring
8. Auxiliary switch
9. Oil-filling hole
10. Throttle of close
11. Electro-magnetic valve for close
12. Electro-magnetic valve for open
13. Throttle of open
14. Oil drainage valve
15. Energy-store motor
16. Oil pump
17. Pressure release valve
18. Spring position switch



Spring Operating Mechanism

The design of the spring operated mechanism provides the high performance required for reliable operation. The lever engaged with the locking device, which is released when the trip coil is energized, is rotated counterclockwise by the trip spring (Fig.1).

The cam and the ratchet wheel engaged with the locking device, which is released when the closing coil is energized, are rotated counterclockwise by

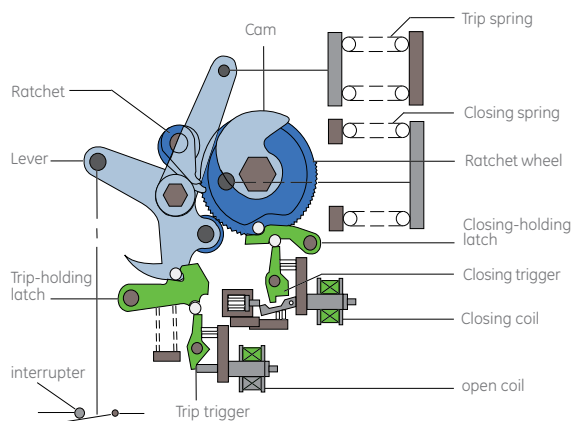


Fig1. Closed position (closing spring charged)

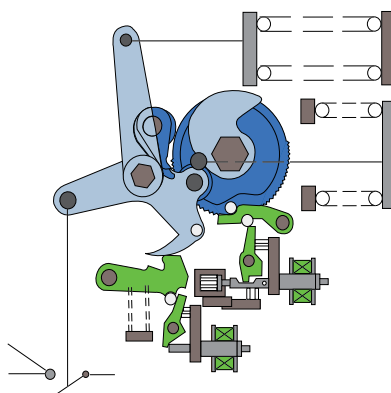


Fig2. Open position (closing spring charged)

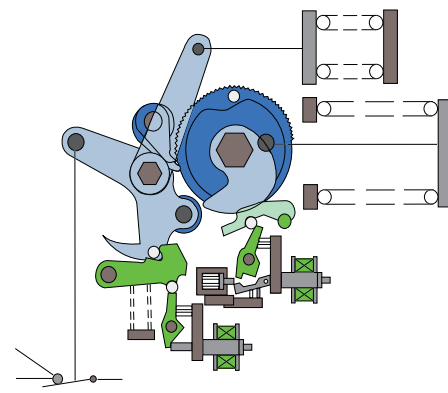


Fig3. Closed position (closing spring discharged)

the closing spring. The lever is rotated clockwise, compressing the trip spring by torque from the cam (Fig.2).

As soon as the closing sequence is completed, the closing spring is charged by the ratchet linked to the motor (Fig.3).

Current Transformer

The current transformer is an epoxy resin coated casting. The bus conductor functions as the primary coil and the secondary coil is a fixed ring core. The measurement and protection coil of the CT are at earth potential, with high precision 0.2 class. Special accuracy ratings are available upon request.

Disconnecter

There are two types of disconnectors in the GIS; types GR and GL. For GR, the configuration is at 90 degrees and GL is configured in-line. One or two earthing switches may be installed in each of these two disconnector types, making a more compact and flexible structure. Based on application and customer requirements, the disconnectors may be used to switch small capacitive, inductive current and/or busbar transfer currents.

Earthing Switch (ES) and Fault Earthing Switch (FES)

Earthing and fault earthing switches are installed on each disconnector. One or two ES/FES can be installed on each. Insulation spacers are included between the enclosure of the earthing switch and breaker compartments. After disassembly of the earthing bar, measurement of the main circuit resistance and inspection of the mechanical characteristics of the circuit breaker may be carried out. FES has the capability of making short circuit current and switching inductive currents. The ES/FES can be provided with either motor/spring or pneumatic mechanisms.

Main Busbar and Branch Busbar

Depending on voltage level and configuration, the main busbar and branch are either single phase or three phase encapsulated. The enclosure material is aluminum tube or casting, which eliminates eddy current heating.

Surge Arrestor, Voltage Transformer and SF₆ Bushing

The surge arrestors and voltage transformers are all enclosure type structures, using SF₆ gas as the insulation medium in the vertical arrangement. SF₆ entrance bushings have pollution withstand capability up to class 5 with an advanced inner shield design. The bushings are small in diameter and light in weight with high earthquake resistance. Both composite and porcelain bushing can be provided.

Innovative Facilities and Rigorous Quality Processes

XD|GE's technology portfolio is built in advanced manufacturing and testing facilities that follow robust quality processes, to provide customers with products that meet the critical and demanding reliability and environmental requirements of power transmission and distribution applications.

Manufacturing Excellence

XD|GE designs a broad range of switchgear in five, vertically integrated and specialized production facilities including machining, surface treatment, insulating, housing and casting.

Additionally, there are two specialized facilities that produce both the spring and hydromechanical operating mechanisms.

Final production is completed in three workshop assembly lines that total more than 50,000 square meters. Components such as aluminum enclosures, cast resin insulators, current and voltage transformers, and operating mechanisms are manufactured by XD|GE through this completely integrated manufacturing model.

The switchgear facilities are ISO 9001 certified, ISO 14001 certified for environmental management systems, as well as OSHA® 18001 certified for health and safety management systems.

Exceptional Quality

Delivering high quality, reliable products and solutions is a primary directive for XD|GE and that is evident throughout the manufacturing facilities. The quality process begins with an incoming inspection of all materials to ensure the best possible inputs before manufacturing begins.

Throughout the production and assembly process, there are multiple checkpoints in the documented test plan, including both visual and “stop flow” inspections. The production facilities follow strict non-conforming procedures to identify, control and avoid the use and delivery of non-conforming products. Each production facility has developed strict environmental standards, including controls of cleanliness, temperature and humidity, and has controls in place to monitor and manage to established standards.

In addition, XD|GE has a dedicated measuring and inspection department with certified, full-time inspectors in each of its manufacturing sites. The measurement and inspection department provides a secondary cross-inspection for all work in process, as well as finished products, ensuring a high level of quality is achieved throughout the manufacturing process. First Pass Yield and Cost of Quality data is maintained and analyzed, per product family, in order to drive continual product and process improvements and higher product reliability.

From raw materials acquisition and inspection to finished product, XD|GE's GIS is designed to meet rigid quality processes so the installed product provides the highest level of reliability while focusing on lowering the total cost of ownership.

Advanced Test Facilities

XIHARI®, the Xi'an High Voltage Apparatus Research Institute, is an integral part of the XD|GE alliance. XIHARI has extensive testing capabilities at its facilities, which include a: High Power Laboratory, High Voltage Laboratory, Artificial Climate Laboratory, EMC Laboratory and an Operational Test Circuit for HVDC Thyristor Valves. At the switchgear facilities, once final assembly is completed, the switchgear modules/bays are tested at the High Voltage Laboratory. The testing facility allows for the testing of a single breaker module, a single bay or a complete substation according to the international standards.

The testing hall meets all of the requirements of ISO/IEC 17025 and houses some of the largest test equipment in the world, providing the capacity to test primary equipment as large as 1,100kV AC. The High Voltage Apparatus Laboratory in XIHARI is a government authorized national high-voltage apparatus quality supervision and inspection test center. It is an independent third-party laboratory for type tests, routine tests, performance tests and certificate tests for high-voltage apparatus. The testing facilities at XIHARI also include an extension environmental laboratory. Testing capabilities here include high altitude testing, high humidity testing, and temperature testing from -70° C up to +150° C.



Support and Service

Global Project Engineering Services

XD|GE is dedicated to helping its customers reach their system objectives and provides a suite of professional services to assist the successful deployment and maintenance of XD|GE products and solutions globally. From design and implementation to post-sales support, a team of highly skilled technical and business experts are available to help customers effectively use the capabilities and product domain knowledge that are available from XD|GE.

This support infrastructure covers the entire life cycle of the product. From the coordination of transportation logistics to the completion of site acceptance testing and warranty service, the highly qualified XD|GE team is available throughout the implementation.

To ensure a high quality of service to meet the needs of each unique application, XD|GE has a global field service team of highly experienced and dedicated individuals. Coupled with a vast network of high voltage power equipment domain experts, XD|GE is able to support a broad range of applications in various environments.

Finally, XD|GE offers a 24x7 global support service to address and direct any customer application and field questions.

Specialized Installation and Commissioning

- Logistics and project management including coordination of ocean and inland transportation
- Installation services include receiving, rigging, unloading and labor (mechanical and electrical)
- Test commissioning
- Site acceptance testing

Post-Sales and Installation Support

- 24x7 global customer service
- Emergency response hotline
- Several customer support access points available to ensure timely support (telephone, e-mail, fax, or web)
- Global spare parts reserve
- A global network of maintenance and repair facilities



4800kV/720 kJ Impulse Voltage Generator & ± 2000 kV 30mA DC Voltage Generator

Primary Plus



Pre-Engineering Secondary Equipment

Primary Plus, XD|GE's supplemental offering to its primary equipment, is a pre-engineered, factory installed solution set that allows utilities to reduce the time and labor associated with substation construction and expansion. Primary Plus uses technologies and methodologies familiar to existing resources and skill sets.

- Digitized primary equipment for replacing labor-intensive, individually terminated copper wires
- Electrical protection to monitor and react to fault conditions
- Advanced monitoring and diagnostics capabilities to predict problems and proactively manage asset performance
- Secure and ruggedized wireless devices, fiber optic multiplexers and Ethernet switches provide reliable communications infrastructure



Digitized Substation

Multilin™ HardFiber System

- Using the Multilin HardFiber system, XD|GE primary equipment can deliver primary equipment with digital communications. The Multilin HardFiber system provides a reduction in total life costs of protection and control through labor and resource optimization.
- This factory-installed solution reduces the amount of labor-intensive, individually terminated copper wire connections with pre-terminated copper and fiber optic cables that have standard physical interfaces and support open digital communications (IEC 61850 Communications standard).

Key Benefits

- Reduces up to 50% of labor costs for protection and control
- Replaces extensive copper wiring with pre-terminated copper and fiber cables
- Reduces specialized on-site labor by shifting spending to readily available materials
- Improves employee safety by leaving potentially dangerous high-energy signals in the switchyard
- Reduces the chances for operational mistakes made during isolation and restoration during routine maintenance
- Built on the Multilin Universal Relay (UR) family, allowing for fast transition into most protection and control applications
- Eliminates up to 90% of control building terminations



Electrical Protection & Control

Advanced Relay's for Substation Equipment

Primary Plus uses Multilin protection & control relays to provide primary protection of this critical primary equipment. Depending on the type of power asset connected to the GIS and the specific application requirements, the most appropriate protective device can be deployed (i.e.: Feeder Protection, Transformer Protection, Line Differential Protection). Advanced protection algorithms, expandable I/O, extensive programming capabilities and automation, high accuracy metering, and the latest in communications technologies provide optimal primary asset management and maximum system availability.

Key Benefits

- Common, modular platform to meet unique application design requirements
- Advanced automation, I/O expandability, and programming logic for customized protection and control solutions
- High accuracy fault and disturbance recording for improved post event analysis
- High speed communications and inter-relay connectivity, including support for IEEE 1588 for reduced wiring and installation costs
- CyberSentry™ provides high-end cyber security (NERC® CIP, AAA, Radius, RBAC, Syslog)
- Integrated monitoring and metering for reliable asset management and maintenance optimization
- Embedded IEC 61850 protocol support, eliminating the need for external communications hardware
- Multi-language support to meet local application needs and requirement







Digital Energy

Toll Free: +1 877-605-6777
Direct: +1 678-844-6777
gedigitalenergy@ge.com

GE, the GE monogram, Primary Plus, Multilin and CyberSentry are trademarks of General Electric Company.

XD Electric is a registered trademark of China XD Electric Group. ISO is a registered trademark of the International Organization for Standardization. IEC is a registered trademark of Commission Electrotechnique Internationale. IEEE is a registered trademark of the Institute of Electrical Electronics Engineers, Inc. ANSI is a registered trademark of American National Standards Institute, Incorporated. KEMA is a registered service mark of N.V. Kema. OSHA is a registered service mark of the Occupational Safety and Health Administration, U.S. Department of Labor. XIHARI is a registered trademark of the Xi'an High Voltage Apparatus Research Institute Co., Ltd. NERC is a registered trademark of North American Electric Reliability Council. CESI is a registered trademark and service mark of CESI S.P.A.

GE Digital Energy reserves the right to make changes to specifications of products described at any time without notice and without obligation to notify any person of such changes.

Copyright 2014, General Electric Company.

