

# Model JE-27C

## Indoor Voltage Transformer 10 kV BIL, 69-600 V

### Application

Designed for indoor service; suitable for operating meters, instruments, relays and control devices.

### Regulatory Agency Approvals

UL Recognized ..... File E93779

### Thermal Ratings

55 °C Rise above 30 °C Ambient ..... 150 VA  
30 °C Rise above 55 °C Ambient .....100 VA

### Weight

(Approximate) ..... 7.8 lbs

### Reference Drawings

Outline ..... 0122C33698

### Insulation Level

0.6 kV; BIL 10 kV full wave

### Frequency

60 Hz



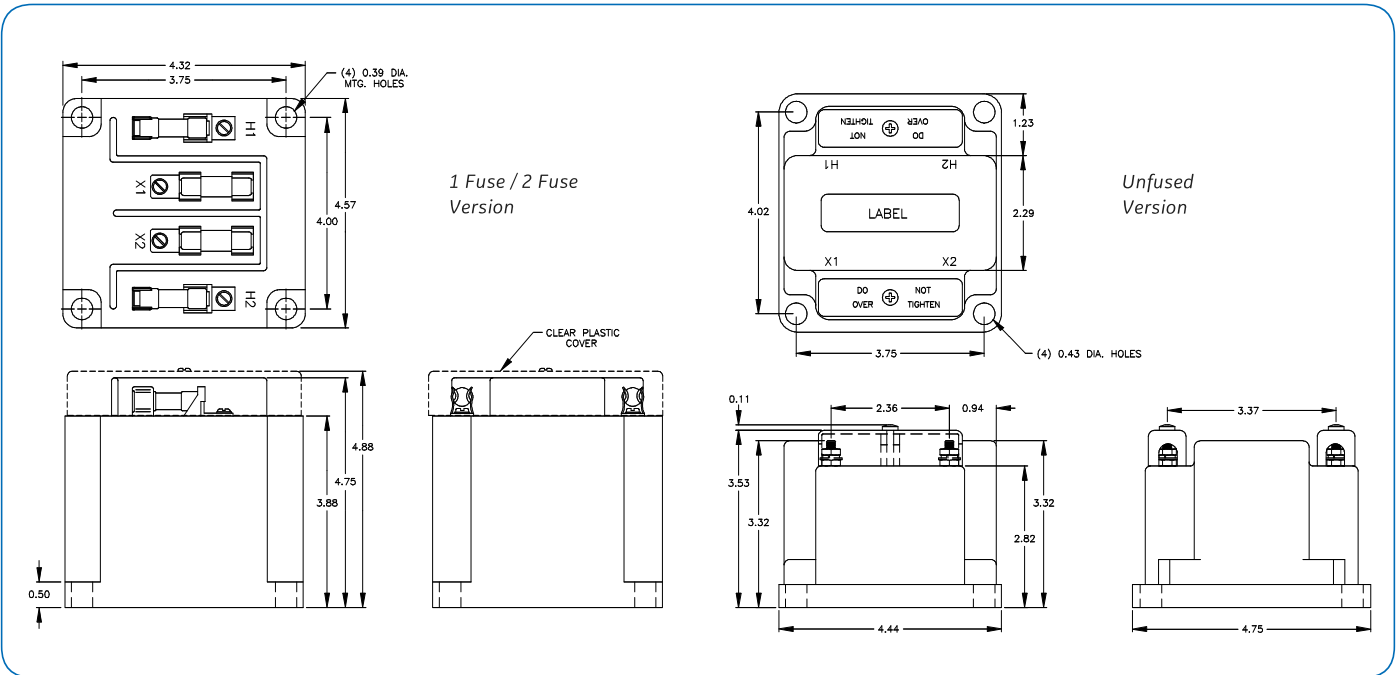
### JE-27C Product Data

| Circuit Line to Line Voltage | Permissible Transformer Primary Connection | Transformer Rating  |         | ANSI Accuracy Classification 60 Hz |                                   |            | Catalog Number     |                             |      | Recommended Primary Fuse Rating |
|------------------------------|--|---------------------|---------|------------------------------------|-----------------------------------|------------|--------------------|-----------------------------|------|---------------------------------|
|                              |  | Primary Voltage (1) | Ratio   | Burden Per ANSI                    |                                   | Not Fused  | Primary Fuses Only | Primary and Secondary Fuses | Amps |                                 |
|                              |  |                     |         | Operated at Rated Voltage          | Operated at 58 % of Rated Voltage |            |                    |                             |      |                                 |
| 120                          | Y only                                     | 69.3                | 0.578:1 | 0.6 W<br>1.2 X                     | 2.4 X                             | 760X190001 | 760X190021         | 760X190041                  | 5.0  |                                 |
| 120<br>208                   | Δ or Y<br>Y only                           | 120                 | 1:1     | 0.6 W<br>1.2 X                     | 2.4 X                             | 760X190002 | 760X190022         | 760X190042                  | 4.0  |                                 |
| 120<br>208                   | Δ or Y<br>Y only                           | 120                 | 1.732:1 | 0.6 W<br>1.2 X                     | 2.4 X                             | 760X190003 | 760X190023         | 760X190043                  | 2.0  |                                 |
| 208                          | Δ or Y                                     | 207.8               | 1.732:1 | 0.6 W<br>1.2 X                     | 2.4 X                             | 760X190004 | 760X190024         | 760X190044                  | 2.0  |                                 |
| 240<br>416                   | Δ or Y<br>Y only                           | 240                 | 2:1     | 0.6 W<br>1.2 X                     | 2.4 X                             | 760X190005 | 760X190025         | 760X190045                  | 2.0  |                                 |
| 480                          | Y only                                     | 288                 | 2.4:1   | 0.6 W<br>1.2 X                     | 2.4 X                             | 760X190007 | 760X190027         | 760X1900047                 | 1.5  |                                 |
| 480                          | Y only                                     | 300                 | 2.5:1   | 0.6 W<br>1.2 X                     | 2.4 X                             | 760X190008 | 760X190028         | 760X190048                  | 1.5  |                                 |
| 480<br>832                   | Δ or Y<br>Y only                           | 480 Ψ               | 4:1     | 0.6 W<br>1.2 X                     | 2.4 X                             | 760X190009 | 760X190029         | 760X190049                  | 1.0  |                                 |
| 600<br>1,040                 | Δ or Y<br>Y only                           | 600 Ψ               | 5:1     | 0.6 W<br>1.2 X                     | 2.4 X                             | 760X190010 | 760X190030         | 760X190050                  | 0.75 |                                 |

Notes:  
For continuous operation, the transformer rated primary voltage should not be exceeded by more than 10%. Under emergency conditions, over-voltage must be limited to 1.25 times the transformer primary voltage rating; except those marked Ψ, which must not exceed 110 % rated voltage.



## Model JE-27C - Dimensions



### Construction and Insulation

The core and coils are enclosed in a molded case and encapsulated in polyurathane resin. The case is molded with GE Valox thermoplastic polyester resin. This tough material has excellent electrical and mechanical properties over a wide temperature range, has low water absorption and is resistant to oil and a variety of chemicals.

### Core

The cores are made from high quality grain oriented silicon steel, which is annealed under rigidly controlled factory conditions.

### Terminals

On unfused models the terminals are No. 10-32 brass studs with one flat washer, one lock washer and a regular nut. On fused models the terminals are No. 8-32 brass screws with one lock washer and one flat washer. Two plastic terminal covers are provided on unfused models and one clear plastic cover on fused models.

### Polarity

Primary and secondary polarity identifiers are molded into the top surface of the transformer case.

### Fuses

Class CC primary fuses are recommended, rated as shown in the data table. A secondary fuse is recommended, type BBS rated at 1.6 Amps to protect the transformer from external short circuits.

### Nameplates

The nameplate is a polyester label attached to the top surface of the transformer case on unfused models and on the side of the case on fused models.

### Mounting

The transformer can be mounted in any position, the case is provided with four mounting holes.

### Maintenance

These transformers require no maintenance, other than occasional cleaning.



[GEGridSolutions.com](http://GEGridSolutions.com)

Grid-AIS-L4-ITL\_Model\_JE\_27C-1423-2017\_07-EN. © Copyright 2017. General Electric Company and Instrument Transformers LLC reserve the right to change specifications of described products at any time without notice and without obligation to notify any person of such changes.

### Worldwide Contact Center

Web: [www.GEGridSolutions.com/contact](http://www.GEGridSolutions.com/contact)

Phone: +44 (0) 1785 250 070

USA and Canada: +1 (0) 800 547 8629

Europe, Middle East and Africa: +34 (0) 94 485 88 00