

Model JAD-0S RevenueSense™

Revenue Metering Current Transformer

Application

RevenueSense™ is a revenue metering current transformer which maintains IEEE 0.15 accuracy class from 1 % of rated current up through rating factor. This is accomplished using the specialized amorphous core material which minimizes electrical core losses. The result is an extremely accurate CT that can maintain high accuracy over a extended range of current. Model JAD-0S is designed for indoor/outdoor service, and is available in bar-type or window-type designs.

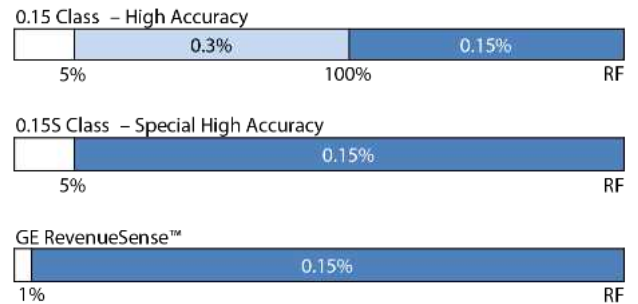


Features

- Voltage Class: 0.6 kV
- Frequency: 50-60 Hz
- Window Size: 5.75"
- Insulation Level: 10 kV BIL
- Application: Indoor/Outdoor

Benefits

- Maximize revenue metering accuracy with special high accuracy rating extended beyond IEEE requirements
- Simplify CT selection and billing multipliers, improving productivity and minimizing risk of error
- Reduce inventory and part number requirements, reducing asset and operational costs



JAD-0S Unit Selection

Current Ratio (Amps)	IEEE Metering Accuracy (60 Hz)	Rating Factor		Catalog Number	
		30°C	55°C	No Base	With Base
600:5	0.15SB0.2 ¹	3.2	2.4	750X320611	750X320612
800:5	0.15SB0.5 ¹	3.0	2.0	750X320004	750X320014
1,200:5	0.15SB0.9 ¹	2.0	1.5	750X320001	750X320011
1,500:5	0.15SB0.9 ¹	2.0	1.5	750X320005	750X320015
2,000:5	0.15SB0.9 ¹	2.0	1.5	750X320002	750X320012
3,000:5	0.15SB0.9 ¹	1.5	1.0	750X320003	750X320013

(1) Exceeds IEEE definition for special high accuracy. Maintains 0.15 Accuracy from 1% to Rating Factor.

(2) Primary-bar options available upon request. Contact GE for more details.

(3) Other designs available, upon request. Contact GE for more details.

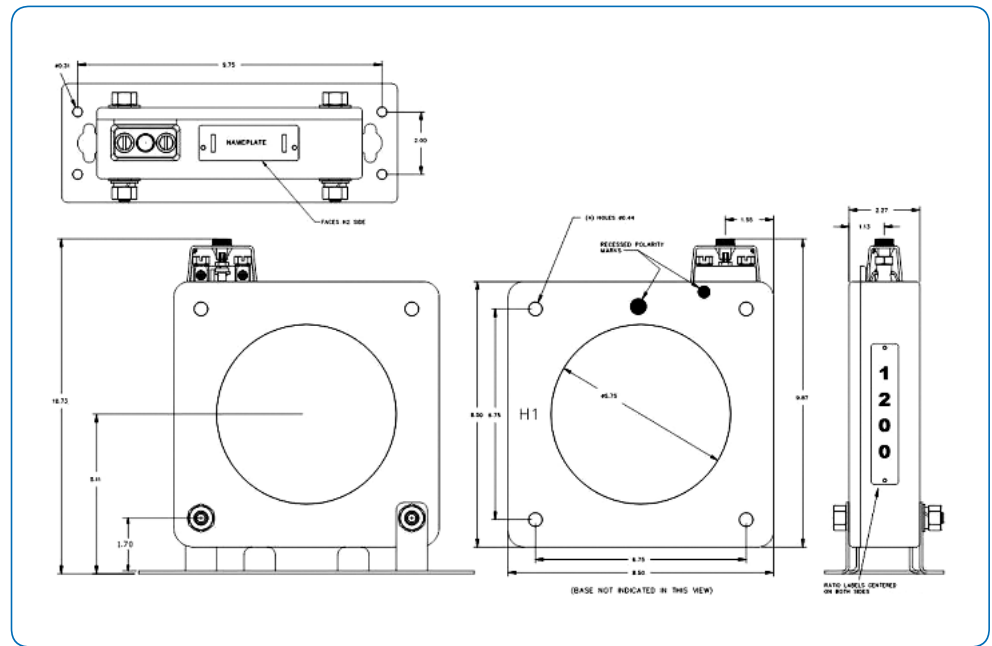


Weight

Transformer, Window Type 13 lbs
Primary Bar, add 4 lbs
Mounting Base, add 2 lbs

Reference Drawings

Outline 0121C34994
Primary Bar Assembly 0821C35021
Base Assembly 0221A36647



Construction and Insulation

The core and coil assembly is encapsulated in resin within a molded case. The case is molded with GE Valox thermoplastic polyester resin. This tough material has excellent electrical and mechanical properties over a wide temperature range, has low water absorption and is resistant to oil and a variety of chemicals. The polyurethane resin filling completely encapsulates the winding, leads and terminals to form a waterproof unit.

Core and Coils

The core is manufactured with high-efficiency material that reduces energy losses, allowing for higher accuracy over a wider range. The secondary winding is made of heavy enameled copper wire evenly distributed around the core for maximum accuracy and resistance to stray fields from adjacent conductors.

Terminals

Secondary terminals are tin plated brass, compression type with a 0.275" diameter cross-hole for wiring and a 1/4"-28 clamp screw. A shorting device is provided and interlocked to the terminal cover. The terminal cover is made of a clear plastic. Provision is made for sealing the cover..

Polarity

Primary and secondary polarity marks H1 and X1 are molded into the case.

Nameplates

The nameplate is laser engraved aluminum and is attached to the top of the unit. The nominal current rating is marked on both sides of the unit in large numerals.

Primary Conductor

Removable primary bars are formed from 1/4"x 4"tin-plated, flat copper bar, with 1/4"spacing between bars on multiple bar assemblies. The bars are retained by insulated and ventilated end caps, which permit the bars to be rotated to any desired orientation and allow the transformer to be supported in a vertical primary arrangement. A potential connector is provided adjacent to one end cap. Primary bars are available in 11 7/8"and 14 1/4"lengths, each provided with four bolt holes at each end.

Baseplate and Mounting

The transformer can be mounted in any position. An optional base plate is available, made of stainless steel. It is attached to the transformer with two bolts.

Maintenance

These transformers require no maintenance, other than occasional cleaning, if installed where air contamination is severe.

GEGridSolutions.com

ITI-Model-JAD-05-Spec-EN-2020_08-Grid-AIS-1384. © Copyright 2019. General Electric Company and Instrument Transformers LLC reserve the right to change specifications of described products at any time without notice and without obligation to notify any person of such changes.

Worldwide Contact Center

Web: www.GEGridSolutions.com/contact

Phone: +44 (0) 1785 250 070

USA and Canada: +1 (0) 800 547 8629

Europe, Middle East and Africa: +34 (0) 94 485 88 00

