

Level Measurement

Continuous level measurement
Accessories for ultrasonic

FMS mounting brackets

Application

Siemens mounting brackets permit simple, fast installation of ultrasonic transducers. These rugged, high quality mounting brackets are constructed of 304 (1.4301) stainless steel and are suitable for use indoors and outdoors. They adjust to fit almost any application, saving you the time and expense of building custom brackets. Each kit includes all mounting parts.

FMS-200 **universal box bracket system**

Mounting of units with 1 inch or 2 inch threaded connection.

Distance from sensor to wall or beam: 20 ... 31 cm (8 ... 12 inch).

The unique box design also acts as a sun shield for transducers with 1 inch threaded connections.

FMS-210 **wall mounting set**

Mounting of transducers with 1 inch threaded connection.

Distance from transducer to wall or beam:
12 ... 48 cm (5 ... 19 inch).

FMS-220 **extended wall mounting set**

Mounting of transducers with 1 inch threaded connection.

Distance from transducer to wall or beam:
32 ... 98 cm (13 ... 39 inch).

FMS-310 **floor mounting set**

Mounting of transducers with 1 inch threaded connection.

Distance from transducer to floor: 20 ... 48 cm (8 ... 19 inch).

Distance from mounting support: 5 ... 57 cm (2 ... 22 inch).

FMS-320 **extended floor mounting set**

Mounting of transducers with 1 inch threaded connection.

Distance from transducer to floor: 20 ... 48 cm (8 ... 19 inch).

Distance from mounting support: 41 ... 108 cm (16 ... 43 inch).

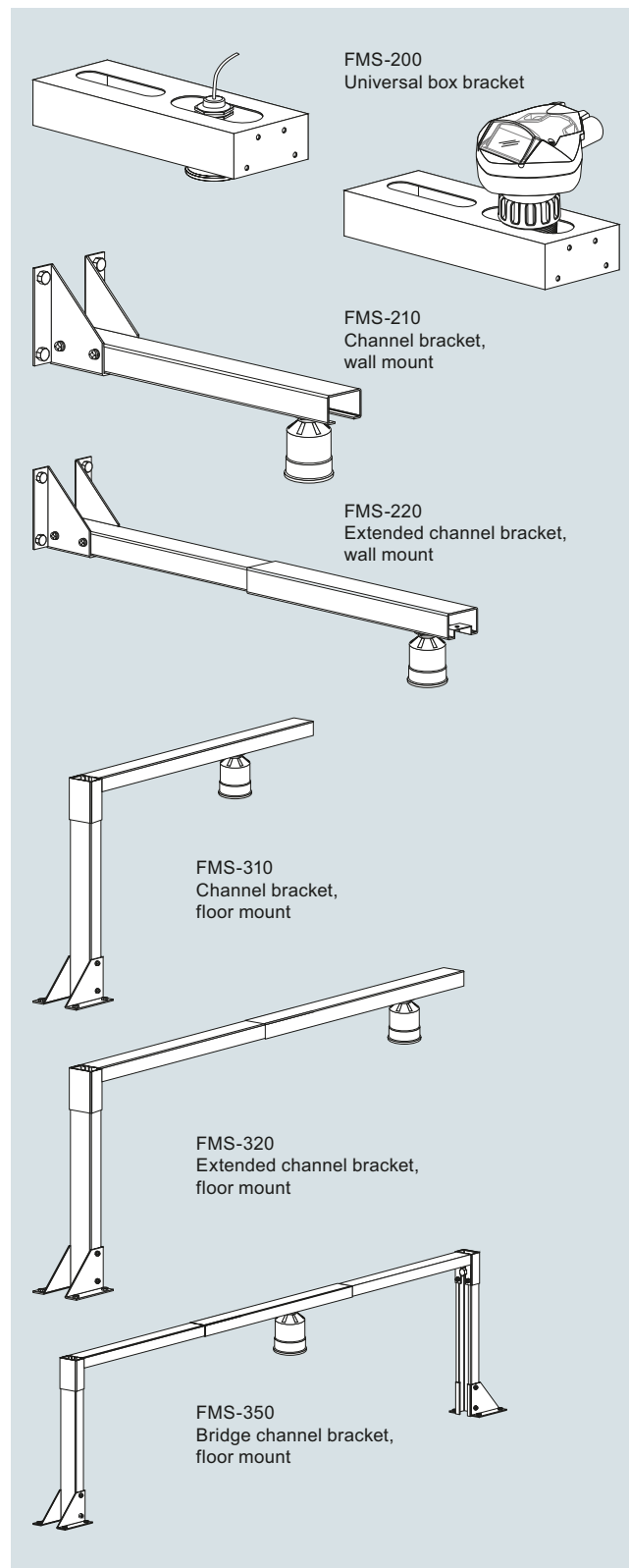
FMS-350 **floor mounting set, bridge**

Mounting of transducers with 1 inch threaded connection.

Distance from transducer to floor: 20 ... 48 cm (8 ... 19 inch),
anywhere along the complete width of the bridge [166 cm
(65 inch)].

This kit is particularly suitable for measurements on open channels (OCM) by providing a very stable mount for the transducer above a flume or weir.

Integration



FMS mounting brackets

| Selection and Ordering data | Article No. |
|--|---------------------|
| Mounting brackets for XPS-10 sensors | |
| FMS-200 universal box bracket set | 7ML1830-1BK |
| FMS-210 wall mounting set | 7ML1830-1BL |
| FMS-220 extended wall mounting set | 7ML1830-1BM |
| FMS-310 floor mounting set | 7ML1830-1BN |
| FMS-320 extended floor mounting set | 7ML1830-1BP |
| FMS-350 floor mounting set, bridge | 7ML1830-1BQ |
| <i>Additional Operating Instructions</i> | |
| FMS-200 | 7ML1998BK61 |
| FMS-210 | 7ML19985BL61 |
| FMS-220 | 7ML19985BM61 |
| FMS-310 | 7ML19985BN61 |
| FMS-320 | 7ML19985BP61 |
| FMS-350 | 7ML19985BQ61 |
| <p>Note: The Operating Instructions should be ordered as a separate line item on the order.</p> <p>All literature is available to download for free, in a range of languages, at http://www.siemens.com/processinstrumentation/documentation</p> | |