

# Temperature measuring transducer - MACX MCR-1TS-I-OLP - 1145192

Please be informed that the data shown in this PDF Document is generated from our Online Catalog. Please find the complete data in the user's documentation. Our General Terms of Use for Downloads are valid (<http://phoenixcontact.com/download>)



Output loop-powered temperature transducer for transmitting RTD and TC sensor signals as well as resistance-type sensor and voltage sensor signals via HART(R) communication or 4 ... 20 mA, freely configurable, screw connection.

## Key Commercial Data

|              |                                |
|--------------|--------------------------------|
| Packing unit | 1 pc                           |
| Note         | Made to Order (non-returnable) |

## Technical data

### Dimensions

|        |          |
|--------|----------|
| Width  | 12.5 mm  |
| Height | 99 mm    |
| Depth  | 114.5 mm |

### Ambient conditions

|   |                               |
|---|-------------------------------|
| Ambient temperature (operation)         | -50 °C ... 85 °C              |
| Ambient temperature (storage/transport) | -50 °C ... 100 °C             |
| Maximum altitude                        | ≤ 4000 m (Above sea level)    |
| Permissible humidity (operation)        | 5 % ... 95 % (non-condensing) |
| Degree of protection                    | IP20                          |

### Power supply

|                      |                                |
|----------------------|--------------------------------|
| Supply voltage range | 11 V DC ... 36 V DC (Standard) |
|----------------------|--------------------------------|

### Connection data

|                                  |   |
|----------------------------------|---|
| Connection method                | Screw connection                            |
| Stripping length                 | 7 mm  |
| Screw thread                     | M3  |
| Conductor cross section solid    | 0.2 mm <sup>2</sup> ... 2.5 mm <sup>2</sup> |
| Conductor cross section flexible | 0.2 mm <sup>2</sup> ... 2.5 mm <sup>2</sup> |
| Conductor cross section AWG      | 24 ... 14                                   |
| Torque                           | 0.5 Nm ... 0.6 Nm                           |
| pluggable                        | Yes   |

### General

|                       |          |
|-----------------------|----------|
| Step response (0-99%) | 1 s (TC) |
|-----------------------|----------|

# Temperature measuring transducer - MACX MCR-1TS-I-OLP - 1145192

## Technical data

### General

|       |           |
|-------|-----------|
|       | 1 s (RTD) |
| Color | gray      |

### Standards and Regulations

|                      |    |
|----------------------|----|
| Pollution degree     | 2  |
| Overvoltage category | II |

### Conformance/approvals

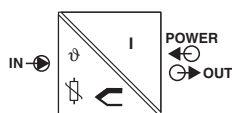
|                |                       |
|----------------|-----------------------|
| Designation    | CE                    |
| Identification | CE-compliant          |
| Designation    | ATEX                  |
| Identification | # II 3 G Ex ec IIC T6 |
| Certificate    | PxCIF20ATEX1145192U   |
| Designation    | CSA                   |
| Identification | Ex ec IIC T6...T4     |

### Environmental Product Compliance

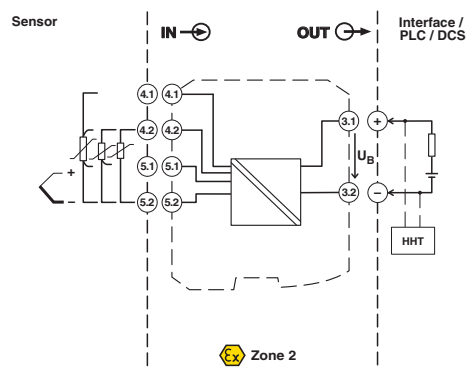
|            |   |
|------------|---|
| China RoHS | Environmentally Friendly Use Period = 50 years  |
|            | For details about hazardous substances go to tab "Downloads", Category "Manufacturer's declaration" |

## Drawings

Pictogram



Block diagram



## Accessories

Accessories

Programming adapter

# Temperature measuring transducer - MACX MCR-1TS-I-OLP - 1145192

## Accessories

Programming adapter - MCR-PAC-T-USB - 2309000

Programming adapter with USB and T port interface, 2.4 m for programming FA MCR-..., MCR-...-LP-..., and MCR-...-HT-... modules



---

## Programming cable

Cable adapter - GW HART USB MODEM - 1003824

USB HART modem cable for communication between a PC and HART devices, cable length: 1m.

