

# Head-mounted transducer - FA MCR-HT-1TS-I-OLP - 1145210

Please be informed that the data shown in this PDF Document is generated from our Online Catalog. Please find the complete data in the user's documentation. Our General Terms of Use for Downloads are valid (<http://phoenixcontact.com/download>)



Output loop-powered head transmitter for transmitting RTD and TC sensor signals as well as resistance-type sensor and voltage sensor signals via HART(R) communication or 4 ... 20 mA, freely configurable, screw connection.



## Key Commercial Data

Packing unit	1 pc
Note	Made to Order (non-returnable)

## Technical data

### Ambient conditions

Ambient temperature (operation)	-50 °C ... 85 °C
Ambient temperature (storage/transport)	-50 °C ... 100 °C
Maximum altitude	≤ 4000 m (Above sea level)
Permissible humidity (operation)	5 % ... 95 % (condensation permitted)
Degree of protection	IP00 (upon installation in field housing IP66/67, NEMA 4X)

### Input data

Sensor types (RTD) that can be used	Pt, Ni, Cu sensors: 2, 3, 4-wire
Sensor types that can be used (TC)	A, B, C, D, E, J, K, L, N, R, S, T, U
Linear resistance measuring range	10 Ω ... 2000 Ω (Minimum measuring span: 10 Ω)

### Output data

Current output signal	4 mA ... 20 mA (HART)
	20 mA ... 4 mA (HART)
Max. output current	23 mA

### Power supply

Supply voltage range	10 V DC ... 36 V DC (Standard)
Max. current consumption	≤ 23 mA

### Connection data

Connection method	Screw connection
-------------------	------------------

# Head-mounted transducer - FA MCR-HT-1TS-I-OLP - 1145210

## Technical data

### Connection data

Stripping length	8 mm
Screw thread	M3
Conductor cross section solid	0.2 mm <sup>2</sup> ... 2.5 mm <sup>2</sup>
Conductor cross section flexible	0.2 mm <sup>2</sup> ... 2.5 mm <sup>2</sup>
Conductor cross section AWG	24 ... 14
Torque	0.35 Nm
pluggable	no

### General

Assembly instructions	Installation in connecting head B in accordance with DIN EN 50446
-----------------------	---

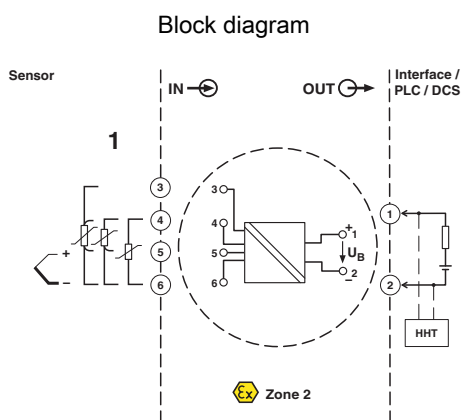
### Standards and Regulations

Pollution degree	2
Overvoltage category	II

### Environmental Product Compliance

China RoHS	Environmentally Friendly Use Period = 50 years
	For details about hazardous substances go to tab "Downloads", Category "Manufacturer's declaration"

## Drawings



## Classifications

### eCl@ss

eCl@ss 10.0.1	27210129
eCl@ss 11.0	27210129
eCl@ss 8.0	27200206
eCl@ss 9.0	27210129

### ETIM

ETIM 5.0	EC001446
----------	----------

## Head-mounted transducer - FA MCR-HT-1TS-I-OLP - 1145210

### Accessories

Accessories

Digital displays

Display - FA MCR-HT-D - 2908735



Display unit for plugging directly into the FA MCR-... head transmitter

---

### Housing

Electronic housing - FA MCR-HT-FH - 2908736



Field housing for the installation of head transmitters with or without display unit. For direct connection to the process.

---

### Mounting material

Mounting kit - FA MCR-HT-FH-WM - 2908737



Wall fastening for FA MCR-HT-FH field housing

---

Mounting kit - FA MCR-HT-FH-PM - 2908738



Pipe fastening for FA MCR-HT-FH field housing

---

### Mounting rail adapter

Adapter - MCR-DIN-RAIL-ADAPTER HT - 2864671



DIN rail adapter for head-mounted transducers. Suitable for 35 mm DIN rails in accordance with EN 60715.

# Head-mounted transducer - FA MCR-HT-1TS-I-OLP - 1145210

## Accessories

---

### Programming adapter

Programming adapter - MCR-PAC-T-USB - 2309000

Programming adapter with USB and T port interface, 2.4 m for programming FA MCR-..., MCR-...-LP-..., and MCR-...-HT-... modules



---

### Programming cable

Cable adapter - GW HART USB MODEM - 1003824



USB HART modem cable for communication between a PC and HART devices, cable length: 1m.

---

---