

Power/Vac[®] Metal-Clad Switchgear

ANSI Metal-Clad Switchgear for 5kV And 15kV Applications

PROVEN RELIABILITY

Power/Vac switchgear can be found all over the United States and around the world. For over 45 years, it has served in every type of electrical distribution system imaginable. From the mildest conditions to the harshest environments. Used in commercial facilities, municipal utilities, and some of the most unforgiving industrial installations, Power/Vac continues to meet your demands for reliable power distribution.

HIGH FLEXIBILITY AND LOW MAINTENANCE

Power/Vac incorporates design elements which combine the flexibility and safety of modular metal clad construction with the reliability and low maintenance of vacuum circuit breaker technology. Many standard configurations are available to meet your exact needs. Among these are:

- Cubicle depths ranging from 82" to 106"
- Special 77" high cubicles for low ceiling installations
- Maintenance / Bypass bus designs
- UL or CSA labeling for most applications
- Silver or tin plated bus
- Seismic qualification to IEEE693 and IBC (Zone 4)
- NEMA 1 indoor enclosure
- NEMA 1 gasketed (dust and rodent proof)
- Indoor drip proof (similar to NEMA12)
- NEMA 3R outdoor non walk in
- NEMA 3R outdoor protected aisle
- NEMA 3R outdoor common aisle



Standard configurations to simplify your planning efforts

Breaker ratings available through 4000A with 63kA interrupting capability

Long-standing proven design Indoor and outdoor weatherproof enclosures readily available

Perfect for application on commercial or industrial projects

Seismically qualified by shake table testing

AVAILABLE RATINGS

Voltage Class	Interrupting Rating	Continuous Current
5kV	31.5kA	1200A 2000A 3000A 3500A 4000A
	40kA	
	50kA	
	63kA	
8.25kV	40kA	
	50kA	
	63kA	
15kV	20kA	
	25kA	
	31.5kA	
	40kA	
	50kA	
	63kA	

Standard bus bracing = 50kA
Heavy duty bus bracing = 63kA,
Breakers available with 5 or 3 cycle interrupting time

OPERATOR SAFETY

Power/Vac switchgear is assembled per the stringent metal clad requirements of ANSI C37.20.2. The design segregates each high voltage compartment with sturdy 11 gauge steel. In addition to this robust construction, several options are available which help to increase operator safety and mitigate arc flash hazard. These include:

- Remote breaker control/relay panels
- Remote racking devices
- Infrared thermal scanning windows
- BriteSpot™ onboard thermal monitoring
- Arc flash sensing relays
- Onboard partial discharge sensing
- Reduced energy let through maintenance switches
- Safety takes a front seat when it comes to the design and construction of Power/Vac switchgear.

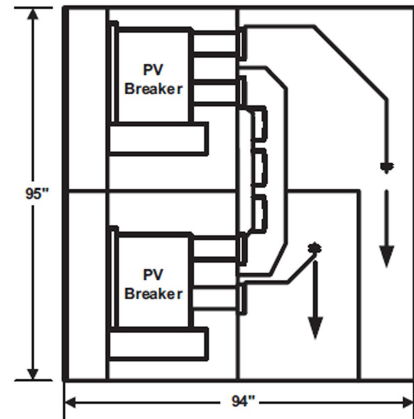
POWER/VAC CIRCUIT BREAKERS

Power/Vac circuit breakers are all rated K Factor = 1.0 and available rated through 4000A. The 4000A is forced-air cooled and available for indoor installations only.

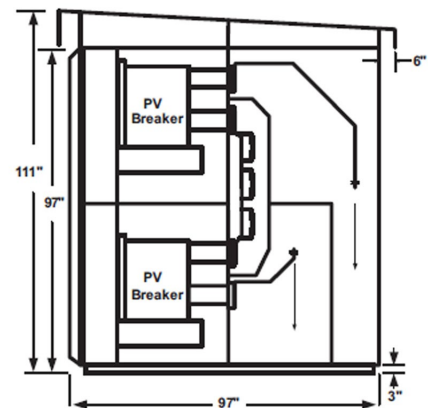


TYPICAL ARRANGEMENTS

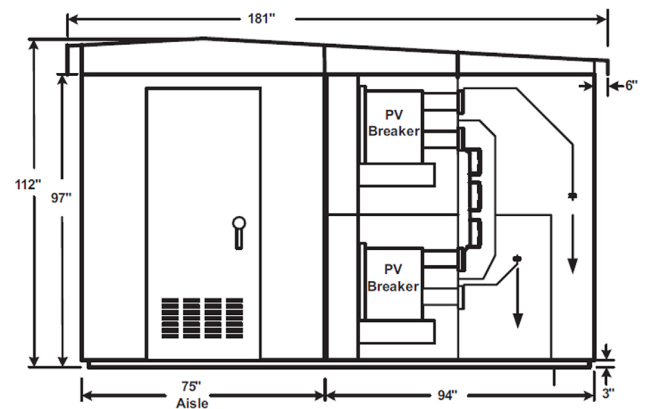
Indoor Construction



Outdoor Non Walk-In Construction



Outdoor Protected Aisle Protection



Powered by Safety®