



# TP Consoles



TP consoles, ready-to-use unit with high protection category IP 55 in four different widths. Tool-free assembly of lid with lid stay. Compatibility with TS 8 system accessories, such as a base/plinth and cable entry grommets.

## 4 models to select from

6740500  
6746500

6742500  
6748500

Model No. ⇅	Height ⇅	Width ⇅	Depth (bottom) ⇅	Depth (top) ⇅
▶ TP 6740.500	973 mm (38 ")	1000 mm (39 ")	400 mm (16 ")	520 mm (20 ")
▶ TP 6742.500	973 mm (38 ")	1200 mm (47 ")	400 mm (16 ")	520 mm (20 ")
▶ TP 6746.500	973 mm (38 ")	600 mm (24 ")	400 mm (16 ")	520 mm (20 ")
▶ TP 6748.500	973 mm (38 ")	800 mm (31 ")	400 mm (16 ")	520 mm (20 ")

## – Product description

<b>Material:</b>	Housing: Carbon steel, 1.5 mm Door and console lid: Carbon steel, 2.0 mm, all-round foamed-in PU seal Mounting plate: Carbon steel, 3.0 mm
<b>Surface finish:</b>	Housing, cover and door: Dipcoat-primed, powder-coated on the outside, textured paint Mounting plate: Zinc-plated
<b>Color:</b>	RAL 7035
<b>Protection category IP to IEC 60 529:</b>	IP 55
<b>Protection category NEMA:</b>	NEMA 12



Tel. 705 682 2828  
Email [sales@chesscontrols.com](mailto:sales@chesscontrols.com)

Wall mount enclosure  
HMI enclosure  
PC enclosure

Free standing enclosure  
Console  
Data rack

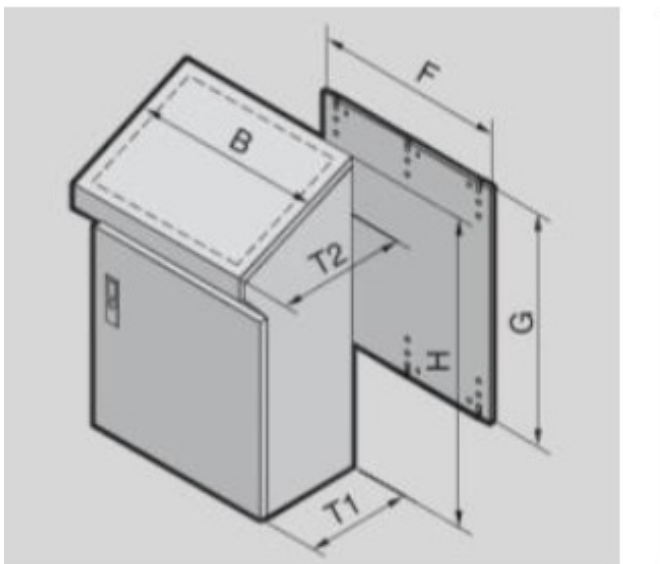
**Supply includes:** Housing, solid back and sides  
 Door or double door at front, with locking rod  
 Mounting plate  
 Cover hinged at rear, 2 stays with automatic locking. Unlatching automatically on the left, manually on the right  
 Open base for individual cable entry

**Note:** With the two-door variant, the base opening is divided in two. Two VE base plates are required.

**Base material:** Carbon steel

	Packs of	600	800	1000	1200
<b>Width (B) mm</b>		600	800	1000	1200
<b>Height (H) mm</b>		960	960	960	960
<b>Depth, bottom (T1) mm</b>		400	400	400	400
<b>Depth, top (T2) mm</b>		520	520	520	520
Mounting plate width (F) mm		530	730	930	1130
Mounting plate height (G) mm		900	900	900	900
<b>Model No.</b>	1 pc(s).	<b>6746.500</b>	<b>6748.500</b>	<b>6740.500</b>	<b>6742.500</b>
Door(s)		1	1	2	2

<b>Accessories</b>					
Base/plinth components, front and rear, 100 mm	2 pc(s).	8601.600	8601.800	8601.000	8601.200
Base/plinth trim panels, side, 100 mm	2 pc(s).	8601.040	8601.040	8601.040	8601.040
Base/plinth components, front and rear, 200 mm	2 pc(s).	8602.600	8602.800	8602.000	8602.200
Base/plinth trim panels, side, 200 mm	2 pc(s).	8602.040	8602.040	8602.040	8602.040
Cross member	2 pc(s).	8601.450	8601.450	8601.450	8601.450
Gland plates		see page	see page	see page	see page
TP aluminium strip	1 pc(s).	6731.120	6731.120	6731.120	6731.120
Rails for interior installation	4 pc(s).	see page	5001.051	see page	see page
TS punched section with mounting flange, 17 x 73 mm		see page	see page	see page	see page
TS punched rail 18 x 38 mm	4 pc(s).	8612.240	8612.240	8612.240	8612.240
Cable clamp rails	1 pc(s).	5001.080	5001.081	5001.082	5001.083
Wiring plan pockets of sheet steel	1 pc(s).	4116.500	4118.500	4115.500	4116.500
LED system light		see page	see page	see page	see page



**TP Consoles**