



TP TopConsole System



3-part, modular system for individual requirements. Simple one-handed operation and secure latching of the lid stay. Compatibility with system accessories, such as a base/plinths and cable entry grommets.

▶ Pedestals

▶ Desk Units for 2-Part Assembly

▶ Desk Units for 3-Part Assembly

▶ Consoles for 3-Part Assembly

Pedestals



Every TP Modular solution is based on four widths and two different depths.

Model No. ↕	Height ↕	Width ↕	Depth ↕
▶ TP 6700.500	675 mm (27 ")	600 mm (24 ")	400 mm (16 ")
▶ TP 6701.500	675 mm (27 ")	800 mm (31 ")	400 mm (16 ")
▶ TP 6702.500	675 mm (27 ")	1200 mm (47 ")	400 mm (16 ")
▶ TP 6703.500	675 mm (27 ")	1600 mm (63 ")	400 mm (16 ")
▶ TP 6704.500	675 mm (27 ")	600 mm (24 ")	500 mm (20 ")
▶ TP 6705.500	675 mm (27 ")	800 mm (31 ")	500 mm (20 ")
▶ TP 6706.500	675 mm (27 ")	1200 mm (47 ")	500 mm (20 ")
▶ TP 6707.500	675 mm (27 ")	1600 mm (63 ")	500 mm (20 ")

Desk Units for 2-Part Assembly



Four widths to complete the console system.

Cover hinged at rear, 2 stays with automatic locking. Unlatching automatically on the left, manually on the right

Opening for cable entry into the enclosure base

Model No. ↕	Height ↕	Width ↕	Depth ↕
▶ TP 6710.500	235 mm (9.3 ")	600 mm (24 ")	700 mm (28 ")
▶ TP 6711.500	235 mm (9.3 ")	800 mm (31 ")	700 mm (28 ")
▶ TP 6712.500	235 mm (9.3 ")	1200 mm (47 ")	700 mm (28 ")
▶ TP 6713.500	235 mm (9.3 ")	1600 mm (63 ")	700 mm (28 ")

Desk Units for 3-Part Assembly



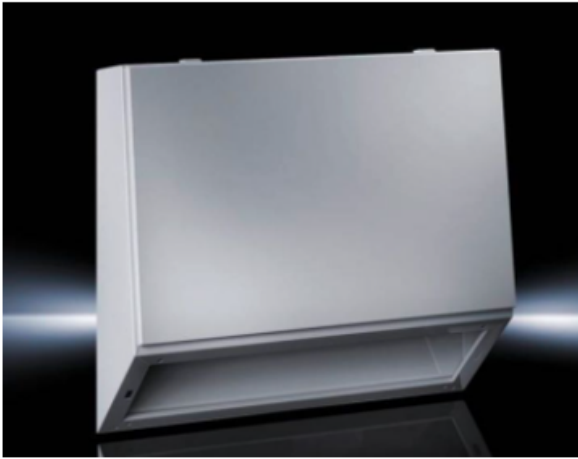
Four widths form the bridge for a three-piece configuration of the TopConsole system.

Cover hinged at rear, 2 stays with automatic locking. Unlatching automatically on the left, manually on the right

Opening for cable entry into the enclosure base

Model No. ↕	Height ↕	Width ↕	Depth ↕
▶ TP 6714.500	235 mm (9.3 ")	600 mm (24 ")	700 mm (28 ")
▶ TP 6715.500	235 mm (9.3 ")	800 mm (31 ")	700 mm (28 ")
▶ TP 6716.500	235 mm (9.3 ")	1200 mm (47 ")	700 mm (28 ")
▶ TP 6717.500	235 mm (9.3 ")	1600 mm (63 ")	700 mm (28 ")

Consoles for 3-Part Assembly



Four widths offer the ideal conditions for individual monitoring and a three-piece configuration of the TopConsole system.

Cover hinged at bottom, including cover retainer
Open base for individual cable entry

Model No. ↕	Height ↕	Width ↕	Depth ↕
▶ TP 6720.500	700 mm (28 ")	600 mm (24 ")	240 mm (9.4 ")
▶ TP 6721.500	700 mm (28 ")	800 mm (31 ")	240 mm (9.4 ")
▶ TP 6722.500	700 mm (28 ")	1200 mm (47 ")	240 mm (9.4 ")
▶ TP 6723.500	700 mm (28 ")	1600 mm (63 ")	240 mm (9.4 ")

NEMA protection category:

- NEMA 12 provided suitable gland plates are selected

Supply includes:

Console

- Enclosure
- Cover hinged at bottom, including cover retainer
- Open base for individual cable entry

Desk section

- Enclosure
- Hinged cover, 2 stays with automatic latching, automatic unlatching on the left and manual unlatching on the right
- Opening for cable entry into the enclosure base

Pedestal

- Enclosure open at top
- Door or double door with locking rod (with depth 400 mm at the front, with depth 500 mm at the front and rear)
- Depth-adjustable mounting plate (with depth 500 mm)
- Open base for individual cable entry



Also required:

Gland plates, see page 632

Approvals:

- UL
- cUL

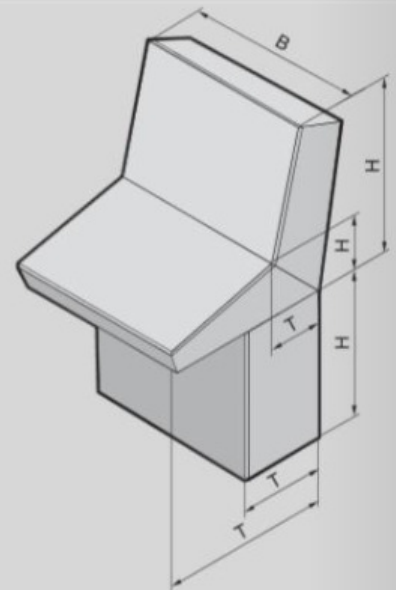


Photo shows a configuration example with equipment not included in the scope of supply

Material:

- Enclosure: Sheet steel, 1.5 mm
- Door and console cover: Sheet steel, 2.0 mm, all-round foamed-in PU seal
- Mounting plate: Sheet steel 2.5 mm (depth 500 m), 3.0 mm (depth 400 mm)

Surface finish:

- Enclosure, cover and door: Dipcoat-primed, powder-coated on the outside, textured paint
- Mounting plate: Zinc-plated

Colour:

- RAL 7035

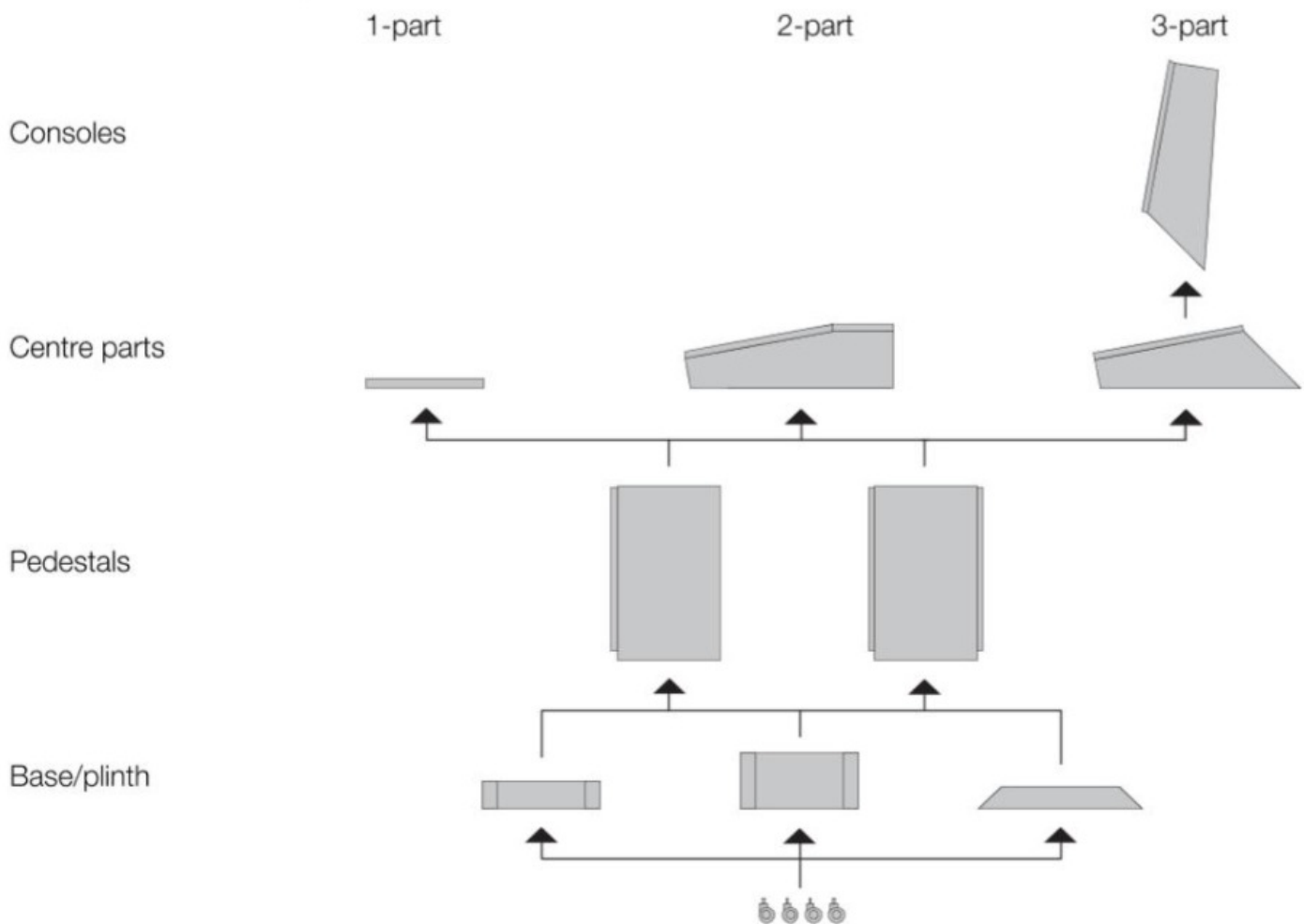
Protection category IP to IEC 60 529:

- IP 55 provided suitable gland plates are selected

NEMA protection category:

- NEMA 12 provided suitable gland plates are selected

Combination options



Pedestals

– Product description

Material:	Housing: Carbon steel, 1.5 mm Door and console lid: Carbon steel, 2.0 mm, all-round foamed-in PU seal Mounting plate: Carbon steel, 3.0 mm
Surface finish:	dipcoat-primed, powder-coated on the outside, textured paint Mounting plate: Zinc-plated
Color:	RAL 7035
Protection category IP to IEC 60 529:	IP 55 provided suitable base plates are selected
Protection category NEMA:	NEMA 12 with selection of the appropriate base plate or trim panel

Desk Units for 2-Part Assembly

– Product description

Material:	Housing: Carbon steel, 1.5 mm Door and console lid: Carbon steel, 2.0 mm, all-round foamed-in PU seal
Surface finish:	dipcoat-primed, powder-coated on the outside, textured paint
Color:	RAL 7035
Protection category IP to IEC 60 529:	IP 55
Protection category NEMA:	NEMA 12

Desk Units for 3-Part Assembly

– Product description

Material:	Housing: Carbon steel, 1.5 mm Door and console lid: Carbon steel, 2.0 mm, all-round foamed-in PU seal
Surface finish:	dipcoat-primed, powder-coated on the outside, textured paint
Color:	RAL 7035
Protection category IP to IEC 60 529:	IP 55
Protection category NEMA:	NEMA 12

Consoles for 3-Part Assembly

– Product description

Material:	Housing: Carbon steel, 1.5 mm Door and console lid: Carbon steel, 2.0 mm, all-round foamed-in PU seal
Surface finish:	dipcoat-primed, powder-coated on the outside, textured paint
Color:	RAL 7035
Protection category IP to IEC 60 529:	IP 55
Protection category NEMA:	NEMA 12

