

**SIEMENS**



# SITRANS

Pressure transmitter  
SITRANS P310 with HART

Operating Instructions

Edition

05/2015

Answers for industry.



# SIEMENS

## SITRANS

### Pressure transmitter SITRANS P310 with HART

#### Operating Instructions

7MF2..3..

05/2015

A5E32840538-04

<u>Introduction</u>	<b>1</b>
<u>Safety instructions</u>	<b>2</b>
<u>Description</u>	<b>3</b>
<u>Installing/mounting</u>	<b>4</b>
<u>Connecting</u>	<b>5</b>
<u>Operation</u>	<b>6</b>
<u>Operating functions through HART</u>	<b>7</b>
<u>Functional safety</u>	<b>8</b>
<u>Commissioning</u>	<b>9</b>
<u>Service and maintenance</u>	<b>10</b>
<u>Technical data</u>	<b>11</b>
<u>Dimension drawings</u>	<b>12</b>
<u>Spare parts/accessories</u>	<b>13</b>
<u>Appendix</u>	<b>A</b>
<u>List of abbreviations</u>	<b>B</b>

## Legal information

### Warning notice system

This manual contains notices you have to observe in order to ensure your personal safety, as well as to prevent damage to property. The notices referring to your personal safety are highlighted in the manual by a safety alert symbol, notices referring only to property damage have no safety alert symbol. These notices shown below are graded according to the degree of danger.

#### **DANGER**

indicates that death or severe personal injury **will** result if proper precautions are not taken.

#### **WARNING**

indicates that death or severe personal injury **may** result if proper precautions are not taken.

#### **CAUTION**

indicates that minor personal injury can result if proper precautions are not taken.

#### **NOTICE**

indicates that property damage can result if proper precautions are not taken.

If more than one degree of danger is present, the warning notice representing the highest degree of danger will be used. A notice warning of injury to persons with a safety alert symbol may also include a warning relating to property damage.

### Qualified Personnel

The product/system described in this documentation may be operated only by **personnel qualified** for the specific task in accordance with the relevant documentation, in particular its warning notices and safety instructions. Qualified personnel are those who, based on their training and experience, are capable of identifying risks and avoiding potential hazards when working with these products/systems.

### Proper use of Siemens products

Note the following:

#### **WARNING**

Siemens products may only be used for the applications described in the catalog and in the relevant technical documentation. If products and components from other manufacturers are used, these must be recommended or approved by Siemens. Proper transport, storage, installation, assembly, commissioning, operation and maintenance are required to ensure that the products operate safely and without any problems. The permissible ambient conditions must be complied with. The information in the relevant documentation must be observed.

### Trademarks

All names identified by ® are registered trademarks of Siemens AG. The remaining trademarks in this publication may be trademarks whose use by third parties for their own purposes could violate the rights of the owner.

### Disclaimer of Liability

We have reviewed the contents of this publication to ensure consistency with the hardware and software described. Since variance cannot be precluded entirely, we cannot guarantee full consistency. However, the information in this publication is reviewed regularly and any necessary corrections are included in subsequent editions.

# Table of contents

<b>1</b>	<b>Introduction</b> .....	<b>13</b>
1.1	Purpose of this documentation .....	13
1.2	Product information .....	13
1.3	History .....	13
1.4	Scope of the instructions .....	14
1.5	Checking the consignment .....	14
1.6	Transportation and storage.....	14
1.7	Notes on warranty.....	15
<b>2</b>	<b>Safety instructions</b> .....	<b>17</b>
2.1	Precondition for use .....	17
2.1.1	Other certificates.....	17
2.1.2	Warning symbols on the device .....	17
2.1.3	Laws and directives .....	18
2.2	Use in hazardous areas .....	19
<b>3</b>	<b>Description</b> .....	<b>21</b>
3.1	System configuration .....	21
3.2	Application range .....	22
3.3	Structure .....	23
3.4	Nameplate layout.....	24
3.5	Measuring point label layout .....	25
3.6	Functional principle .....	25
3.6.1	Overview of mode of operation .....	25
3.6.2	Operation of the electronics .....	26
3.6.3	Measuring cell operation.....	27
3.6.3.1	Measuring cell for gauge pressure .....	28
3.6.3.2	Measuring cell for differential pressure and flow rate .....	29
3.7	Remote seal .....	30
3.8	SIMATIC PDM .....	30
<b>4</b>	<b>Installing/mounting</b> .....	<b>33</b>
4.1	Basic safety instructions .....	33
4.1.1	Installation location requirements .....	36
4.1.2	Proper mounting .....	37
4.2	Disassembly.....	38
4.3	installation .....	38
4.3.1	Installation instructions.....	38

4.3.2	Installation .....	39
4.3.3	Fastening .....	40
4.4	"Remote seal" installation .....	42
4.4.1	Remote seal installation.....	42
4.4.2	Installation of the remote seal with the capillary line.....	44
4.5	Turning the measuring cell against housing .....	46
4.6	Rotating the display .....	47
<b>5</b>	<b>Connecting .....</b>	<b>49</b>
5.1	Basic safety instructions .....	49
5.1.1	Unsuitable cables and/or cable glands .....	49
5.2	Connecting the device .....	52
<b>6</b>	<b>Operation.....</b>	<b>55</b>
6.1	Overview of operation .....	55
6.2	Basic safety instructions .....	56
6.3	Instructions for operation .....	56
6.4	Display .....	57
6.4.1	Display elements.....	57
6.4.2	Units display.....	58
6.4.3	Error display.....	58
6.4.4	Mode display.....	59
6.4.5	Status display.....	60
6.4.6	Overflow range.....	61
6.5	Local operation.....	62
6.5.1	Local control elements .....	62
6.5.2	Operation using buttons.....	64
6.5.3	Start of scale value/full scale value.....	65
6.5.3.1	Difference between setting and adjusting .....	65
6.5.3.2	Setting/adjusting the start of scale value .....	69
6.5.3.3	Setting/adjusting the full scale value.....	70
6.5.4	Setting/adjusting electrical damping .....	72
6.5.5	Blind start of scale value/full scale value .....	73
6.5.5.1	Difference between setting/adjusting and blind setting/adjusting .....	73
6.5.5.2	Blind setting of start of scale value .....	75
6.5.5.3	Blind setting of full scale value.....	75
6.5.5.4	Blind adjusting of the start of scale value .....	76
6.5.5.5	Blind adjustment of the full scale value.....	77
6.5.6	Trimming the zero point .....	77
6.5.7	Current simulator.....	78
6.5.8	Output current in case of fault.....	79
6.5.9	Locking buttons and functions .....	80
6.5.10	Releasing key lock or function lock.....	81
6.5.11	Flow rate measurement (only differential pressure) .....	82
6.5.12	Measured value display .....	84
6.5.13	Unit.....	85
<b>7</b>	<b>Operating functions through HART.....</b>	<b>89</b>

7.1	Operating functions through HART communication .....	89
7.2	Process tag data .....	90
7.3	Selecting the measuring modes .....	90
7.3.1	Overview of measuring modes .....	90
7.3.2	Measuring mode selector .....	91
7.3.3	Variable mapper.....	91
7.3.4	Measuring mode "Pressure" .....	91
7.3.5	Customized characteristic curve.....	92
7.3.6	Measuring mode "Level" .....	93
7.3.7	Measuring mode "Flow rate".....	95
7.3.8	Measuring mode "User" .....	97
7.3.9	Measured value status.....	99
7.3.10	Analog output.....	103
7.3.11	Scaling the display value .....	104
7.4	Setting zero point and limit point.....	105
7.5	Blind setting of zero point and limit point .....	106
7.6	Zero point calibration (position correction).....	106
7.7	Electrical damping.....	106
7.8	Fast response mode .....	107
7.9	Current sensor .....	107
7.10	Fault current.....	107
7.11	Setting the current limits .....	107
7.12	Key lock and write protection.....	108
7.13	Measured value display .....	109
7.14	Selection of the physical unit .....	110
7.15	Bar graph .....	111
7.16	Sensor calibration .....	111
7.16.1	Sensor trim.....	111
7.16.2	Trimming the sensor .....	112
7.17	Current sensor trim .....	113
7.18	Factory calibration.....	114
7.19	Static configuration data .....	115
7.20	Flow rate measurement (only differential pressure) .....	116
7.21	Diagnostic functions.....	117
7.21.1	Overview .....	117
7.21.2	Operating hours counter .....	118
7.21.3	Min/max indicator.....	118
<b>8</b>	<b>Functional safety.....</b>	<b>119</b>
8.1	Safety function .....	119
8.2	Safety Integrity Level (SIL) .....	121

8.3	Settings .....	123
8.4	Safety characteristics .....	124
8.5	Maintenance/check .....	124
8.5.1	Overview .....	124
8.5.2	Checking safety function/proof test.....	125
8.5.2.1	Checking temperature sensors .....	127
8.5.2.2	Simulating fault current .....	127
8.5.2.3	Two-point measurement $\geq 10\%$ of the maximum measuring range .....	127
8.5.2.4	Two-point measurement $\geq 50\%$ of the maximum measuring range .....	130
8.5.2.5	Checking pressure transmitter for external damage.....	132
8.6	Add-on parts.....	132
8.6.1	Checking a device with add-on pneumatic block.....	132
8.6.2	Checking a device with add-on remote seal .....	133
<b>9</b>	<b>Commissioning .....</b>	<b>135</b>
9.1	Basic safety instructions .....	135
9.2	Introduction to commissioning .....	135
9.3	Gauge pressure .....	136
9.3.1	Commissioning for gases.....	136
9.3.2	Commissioning with steam or liquid.....	138
9.4	Differential pressure and flow rate .....	139
9.4.1	Safety notes for commissioning with differential pressure and flow rate .....	139
9.4.2	Commissioning in gaseous environments .....	140
9.4.3	Commissioning for liquids .....	142
9.4.4	Commissioning with vapor .....	144
<b>10</b>	<b>Service and maintenance.....</b>	<b>147</b>
10.1	Basic safety instructions .....	147
10.2	Maintenance and repair work.....	150
10.2.1	Defining the maintenance interval.....	150
10.2.2	Checking the gaskets.....	151
10.2.3	Display in case of a fault .....	151
10.3	Cleaning .....	152
10.3.1	Servicing the remote seal measuring system .....	152
10.4	Return procedure .....	154
10.5	Disposal .....	155
<b>11</b>	<b>Technical data .....</b>	<b>157</b>
11.1	Overview of technical data .....	157
11.2	Input point .....	157
11.3	Output .....	159
11.4	Measuring accuracy.....	160
11.5	Operating conditions .....	162
11.6	Construction.....	163



11.7	Display, keyboard and auxiliary power .....	165
11.8	Certificates and approvals .....	166
11.9	HART communication .....	167
<b>12</b>	<b>Dimension drawings.....</b>	<b>169</b>
12.1	SITRANS P310 for gauge pressure.....	169
12.2	SITRANS P310 for differential pressure and flow rate .....	171
<b>13</b>	<b>Spare parts/accessories.....</b>	<b>175</b>
13.1	Order data .....	175
13.2	Spare parts/accessories for SITRANS P310 .....	175
13.3	Order data for SIMATIC PDM .....	175
<b>A</b>	<b>Appendix.....</b>	<b>177</b>
A.1	Certificate .....	177
A.2	Literature and catalogs .....	177
A.3	Technical support.....	177
<b>B</b>	<b>List of abbreviations .....</b>	<b>179</b>
	<b>Glossary .....</b>	<b>181</b>
	<b>Index.....</b>	<b>183</b>



# Introduction

## 1.1 Purpose of this documentation

These instructions contain all information required to commission and use the device. Read the instructions carefully prior to installation and commissioning. In order to use the device correctly, first review its principle of operation.

The instructions are aimed at persons mechanically installing the device, connecting it electronically, configuring the parameters and commissioning it, as well as service and maintenance engineers.

## 1.2 Product information

The programming manual is an integral part of the CD, which is either supplied or can be ordered. The programming manual is also available on the Siemens homepage.

On the CD, you will also find the catalog extract with the ordering data, the Software Device Install for SIMATIC PDM for additional installation, and the required software.

## 1.3 History

This history establishes the correlation between the current documentation and the valid firmware of the device.

The documentation of this edition applies to the following firmware:

Edition	Firmware identifier nameplate	System integration	Installation path for PDM
05/2015	FW: 09/03/06	SIMATIC PDM 8.x	SITRANS P310

The most important changes in the documentation when compared with the respective previous edition are given in the following table.

Edition	Remark
05/2015	The following information has been amended: <ul style="list-style-type: none"> <li>• Functional safety</li> <li>• Technical specifications</li> </ul>


## 1.4 Scope of the instructions

Table 1- 1 "7MF2.33" stands for:

Order number	SITRANS P310 for
7MF2033	Gauge pressure
7MF2433	Differential pressure and flow rate, PN 160 (MAWP 2320 psi)

## 1.5 Checking the consignment

1. Check the packaging and the delivered items for visible damage.
2. Report any claims for damages immediately to the shipping company.
3. Retain damaged parts for clarification.
4. Check the scope of delivery by comparing your order to the shipping documents for correctness and completeness.

 <b>WARNING</b>
<b>Using a damaged or incomplete device</b> Danger of explosion in hazardous areas. <ul style="list-style-type: none"><li>• Do not use damaged or incomplete devices.</li></ul>


### See also

Return procedure (Page 154)

## 1.6 Transportation and storage

To guarantee sufficient protection during transport and storage, observe the following:

- Keep the original packaging for subsequent transportation.
- Devices/replacement parts should be returned in their original packaging.
- If the original packaging is no longer available, ensure that all shipments are properly packaged to provide sufficient protection during transport. Siemens cannot assume liability for any costs associated with transportation damages.

 <b>CAUTION</b>
<b>Insufficient protection during storage</b> The packaging only provides limited protection against moisture and infiltration. <ul style="list-style-type: none"><li>• Provide additional packaging as necessary.</li></ul>

Special conditions for storage and transportation of the device are listed in "Technical data" (Page 157).

## **1.7 Notes on warranty**

The contents of this manual shall not become part of or modify any prior or existing agreement, commitment or legal relationship. The sales contract contains all obligations on the part of Siemens as well as the complete and solely applicable warranty conditions. Any statements regarding device versions described in the manual do not create new warranties or modify the existing warranty.

The content reflects the technical status at the time of publishing. Siemens reserves the right to make technical changes in the course of further development.



## Safety instructions

### 2.1 Precondition for use

This device left the factory in good working condition. In order to maintain this status and to ensure safe operation of the device, observe these instructions and all the specifications relevant to safety.

Observe the information and symbols on the device. Do not remove any information or symbols from the device. Always keep the information and symbols in a completely legible state.

#### 2.1.1 Other certificates




辽制 02000001 号

Figure 2-1 Chinese Manufacturing Certificate

#### See also

Certificate (Page 177)

#### 2.1.2 Warning symbols on the device

Symbol	Explanation
	Consult operating instructions


### 2.1.3 Laws and directives

Observe the test certification, provisions and laws applicable in your country during connection, assembly and operation. These include, for example:

- National Electrical Code (NEC - NFPA 70) (USA)
- Canadian Electrical Code (CEC) (Canada)

Further provisions for hazardous area applications are for example:

- IEC 60079-14 (international)
- EN 60079-14 (EC)

 <b>WARNING</b>
<b>Improper device modifications</b>
Danger to personnel, system and environment can result from modifications to the device, particularly in hazardous areas.
<ul style="list-style-type: none"><li>• Only carry out modifications that are described in the instructions for the device. Failure to observe this requirement cancels the manufacturer's warranty and the product approvals.</li></ul>

Due to the large number of possible applications, each detail of the described device versions for each possible scenario during commissioning, operation, maintenance or operation in systems cannot be considered in the instructions. If you need additional information not covered by these instructions, contact your local Siemens office or company representative.

---

#### Note

##### Operation under special ambient conditions

We highly recommend that you contact your Siemens representative or our application department before you operate the device under special ambient conditions as can be encountered in nuclear power plants or when the device is used for research and development purposes.

---




## 2.2 Use in hazardous areas

### Qualified personnel for hazardous area applications


Persons who install, connect, commission, operate, and service the device in a hazardous area must have the following specific qualifications:


- They are authorized, trained or instructed in operating and maintaining devices and systems according to the safety regulations for electrical circuits, high pressures, aggressive, and hazardous media.
- They are authorized, trained, or instructed in carrying out work on electrical circuits for hazardous systems.
- They are trained or instructed in maintenance and use of appropriate safety equipment according to the pertinent safety regulations.


 <b>WARNING</b>
<b>Unsuitable device for the hazardous area</b> Danger of explosion. <ul style="list-style-type: none"><li>• Only use equipment that is approved for use in the intended hazardous area and labelled accordingly.</li></ul>

### See also

Technical data (Page 157)

 <b>WARNING</b>
<b>Loss of safety of device with type of protection "Intrinsic safety Ex i"</b> If the device has already been operated in non-intrinsically safe circuits or the electrical specifications have not been observed, the safety of the device is no longer ensured for use in hazardous areas. There is a danger of explosion. <ul style="list-style-type: none"><li>• Connect the device with type of protection "Intrinsic safety" solely to an intrinsically safe circuit.</li><li>• Observe the specifications for the electrical data on the certificate and/or in Chapter "Technical data (Page 157)".</li></ul>

 <b>WARNING</b>
<b>Use of incorrect device parts in potentially explosive environments</b>
<p>Devices and their associated device parts are either approved for different types of protection or they do not have explosion protection. There is a danger of explosion if device parts (such as covers) are used for devices with explosion protection that are not expressly suited for this type of protection. If you do not adhere to these guidelines, the test certificates and the manufacturer warranty will become null and void.</p>
<ul style="list-style-type: none"><li>• Use only device parts that have been approved for the respective type of protection in the potentially explosive environment. Covers that are not suited for the "explosion-proof" type of protection are identified as such by a notice label attached to the inside of the cover with "Not Ex d Not SIL".</li><li>• Do not swap device parts unless the manufacturer specifically ensures compatibility of these parts.</li></ul>

 <b>WARNING</b>
<b>Risk of explosion due to electrostatic charge</b>
<p>To prevent the build-up of an electrostatic charge in a hazardous area, the key cover must be closed during operation and the screws tightened.</p>
<p>The key cover may be opened temporarily at any time for the purposes of operating the transmitter, even during plant operation; the screws should then be tightened again.</p>

<b>NOTICE</b>
<b>Electrostatic-sensitive devices</b>
<p>The device contains electrostatic-sensitive devices (ESD). ESD can be destroyed by voltages far too low to be detected by humans. These voltages can occur if you simply touch a component part or the electrical connections of a module without being electrostatically discharged. The damage to a module caused by overvoltage cannot normally be detected immediately; it only becomes apparent after a longer period of operating time has elapsed.</p>
<p>Protective measures against the discharge of static electricity:</p>
<ul style="list-style-type: none"><li>• Make sure that no power is applied.</li><li>• Before working with modules, make sure that you discharge static from your body, for example by touching a grounded object.</li><li>• Devices and tools used must be free of static charge.</li><li>• Hold modules only by their edges.</li><li>• Do not touch connector pins or conductor tracks on a module with the ESD notice.</li></ul>

## Description

### 3.1 System configuration

#### Overview

The pressure transmitter can be used in a number of system configurations:

- as a stand-alone version, supplied with the necessary auxiliary power
- as part of a complex system environment, e.g. SIMATIC S7

#### System communication

Communication is via the HART protocol, using:

- HART Communicator (load 230 ... 1100  $\Omega$ )
- PC with HART modem, on which appropriate software is installed, e.g. SIMATIC PDM (load 230 ... 500  $\Omega$ )
- Control system which can communicate via the HART protocol, e.g. SIMATIC PCS7

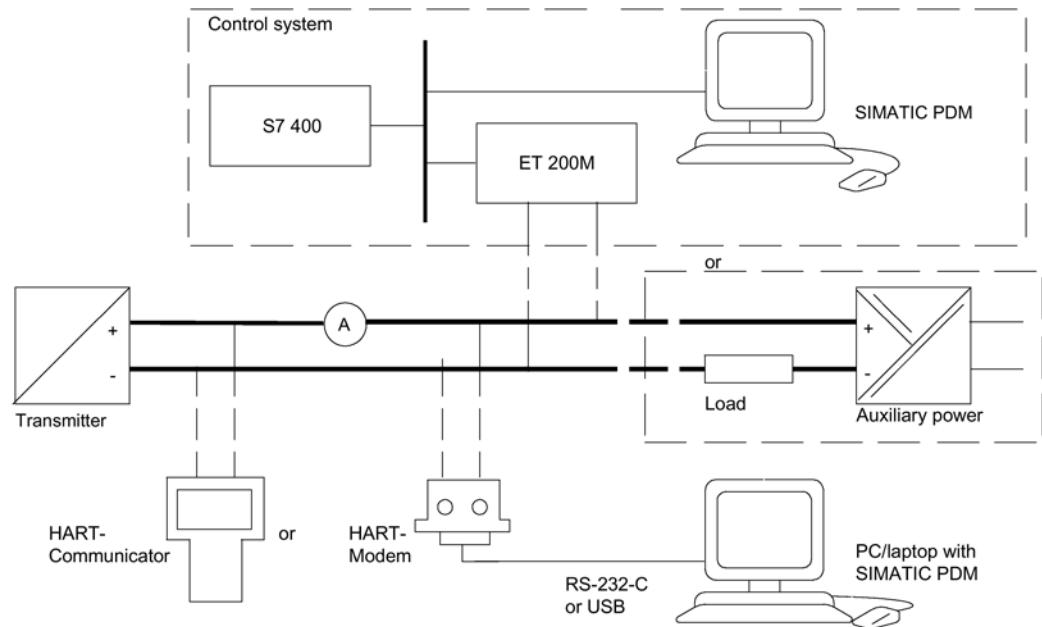


Figure 3-1 Possible system configurations

## 3.2 Application range

### Overview

Depending on the version, a transmitter measures corrosive, non-corrosive and hazardous gases, vapors and liquids.

You can use the transmitter for the following types of measurement:

- Gauge pressure
- Differential pressure

With appropriate parameter settings and the necessary add-on parts (e.g. flow orifices and remote seals), the pressure transmitter can also be used for the following measurements:

- Level
- Volume
- Mass
- Volumetric flow
- Mass flow rate

The output signal is always a load-independent direct current between 4 and 20 mA.

You can install the "intrinsically-safe" or "explosion-proof" version of the transmitter in hazardous areas.

Transmitters with remote seals of different shapes can be delivered for special applications. For example, measuring high-viscosity substances is a special application.

### Gauge pressure

This version measures aggressive, non-aggressive and hazardous gases, vapors and liquids.

The smallest span is 1 kPa g (0.145 psi g), the largest 40 MPa g (5801.7 psi g).

### Differential pressure and flow rate

This version measures corrosive, non-corrosive and hazardous gases, vapors and liquids.

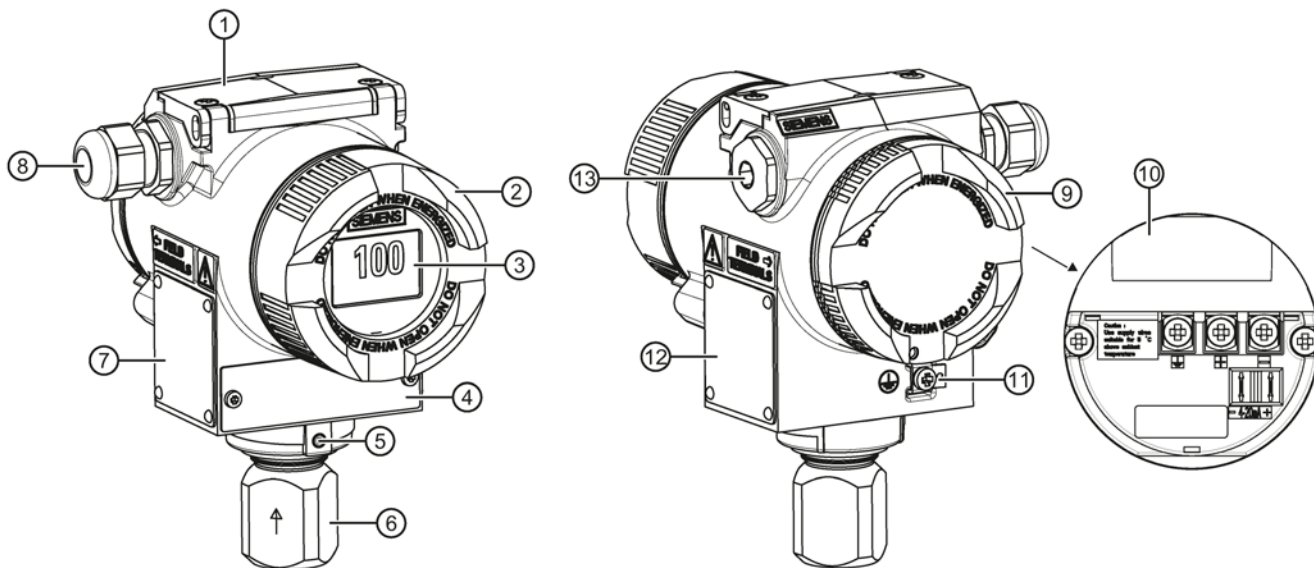
You can use this version for the following measurement types:

- differential pressure, e.g. effective differential pressure
- Gauge pressure, suitable for small positive or negative pressure value
- in combination with a restrictor device: flow rate  $q \sim \sqrt{\Delta p}$

The smallest span is 0.1 kPa (0.0145 psi), the largest 3000 kPa (435 psi).

### 3.3 Structure

Depending on a customer-specific order, the device comprises different parts.



- |   |  |   |  |
|---|--|---|--|
| ① | Key cover  | ⑧ | Cable inlet, optionally with cable gland                       |
| ② | Cover (front), optionally with inspection window   | ⑨ | Cover (rear) for electrical terminal compartment               |
| ③ | Display (optional)   | ⑩ | Electrical terminal compartment                                |
| ④ | Measuring point label  | ⑪ | Protective conductor connection/equipotential bonding terminal |
| ⑤ | Retaining screw; twist proofing of the measuring cell in relation to the electronics enclosure | ⑫ | Nameplate (approval information)                               |
| ⑥ | Process connection   | ⑬ | Blanking plug  |
| ⑦ | Nameplate (general information)  |   |  |

Figure 3-2 View of the transmitter: Left: Front right: Rear view

- The electronic enclosure is made of aluminum die casting.
- The housing has a removable circular cover at the front and the back.
- Depending on the device version, the front cover ② may be designed as an inspection window. You can read the measured values straight off the digital display through this inspection window.
- The cable inlet ⑧ to the electrical terminal compartment is at the side; either the left or right-hand one can be used. The unused opening is closed with a blanking plug ⑬.
- The protective conductor terminal/equipotential bonding terminal ⑪ is located at the back of the enclosure.
- The electrical terminal compartment ⑩ for the auxiliary power and shield is accessible when you remove the back cover ⑨.

3.4 Nameplate layout

- The measuring cell with a process connection ⑥ is located in the lower section of the enclosure. This measuring cell is secured against twisting by a retaining screw ⑤. Thanks to the modular structure of the transmitter, the measuring cell, the electronic unit or the network card can be replaced if required.
- On the upper face of the enclosure you can see crosshead screws which secure the key cover ①, under which there are 3 keys for local operation.

### 3.4 Nameplate layout

#### Layout of nameplate with general information

The nameplate bearing the order number and other important information, such as design details and technical data, is on the side of the enclosure.

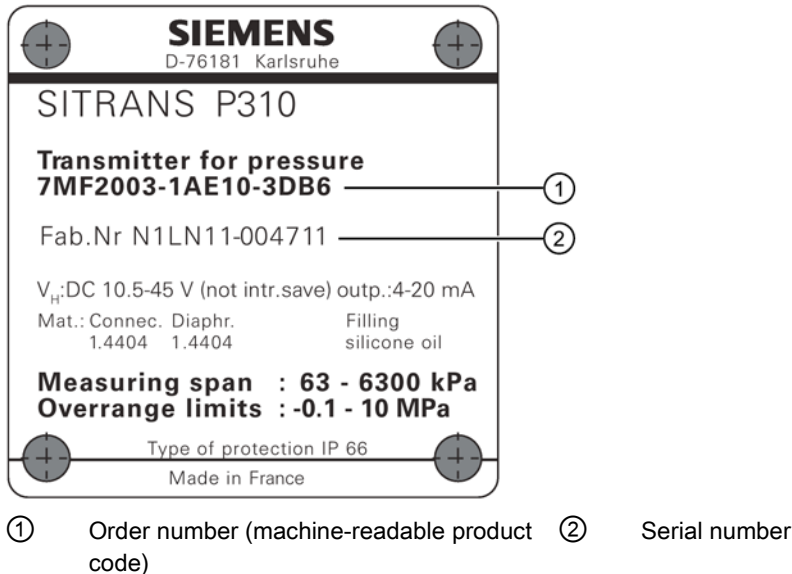


Figure 3-3 Example of a nameplate

#### Layout of nameplate with approval information

The nameplate with approval information is on the opposite side. This nameplate shows the hardware and firmware versions, for example. You must also observe the information in the relevant certificate for a pressure transmitter version for use in hazardous areas.

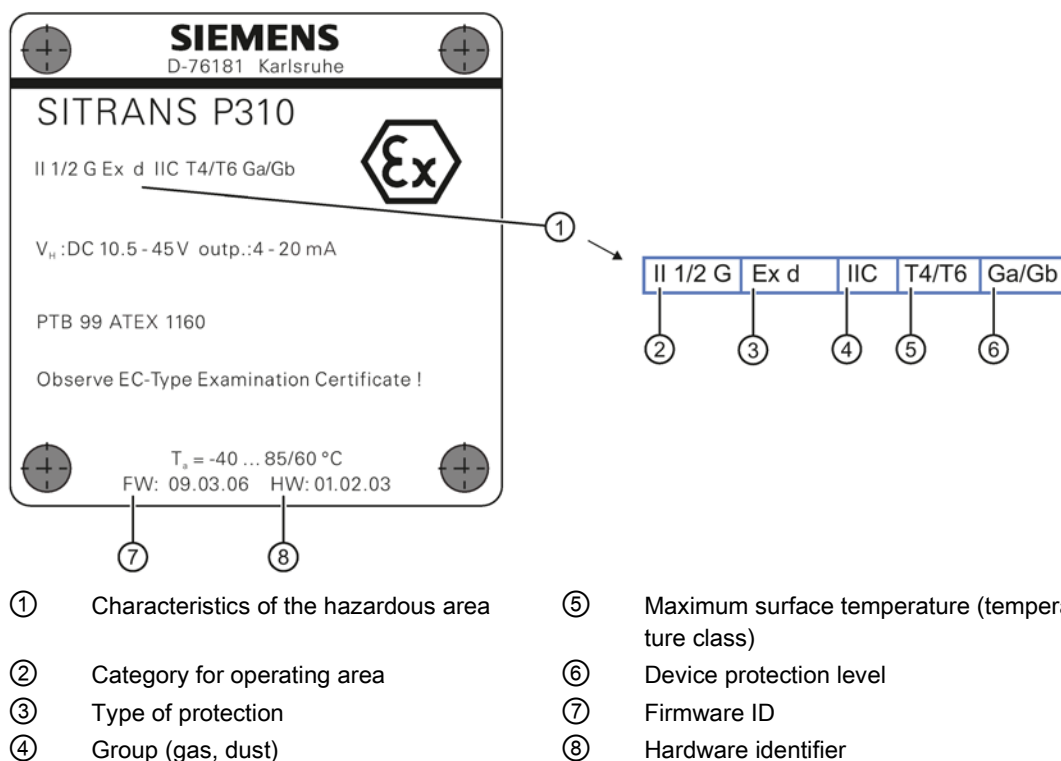


Figure 3-4 Example of an approval plate

## 3.5 Measuring point label layout

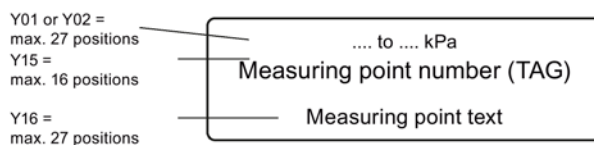


Figure 3-5 Example of measuring point label

## 3.6 Functional principle

### 3.6.1 Overview of mode of operation

This chapter describes how the transmitter works.

3.6 Functional principle

First the electronics are described, and then the physical principle of the sensors which are used with the various device versions for the individual measurement types.

3.6.2 Operation of the electronics

Description

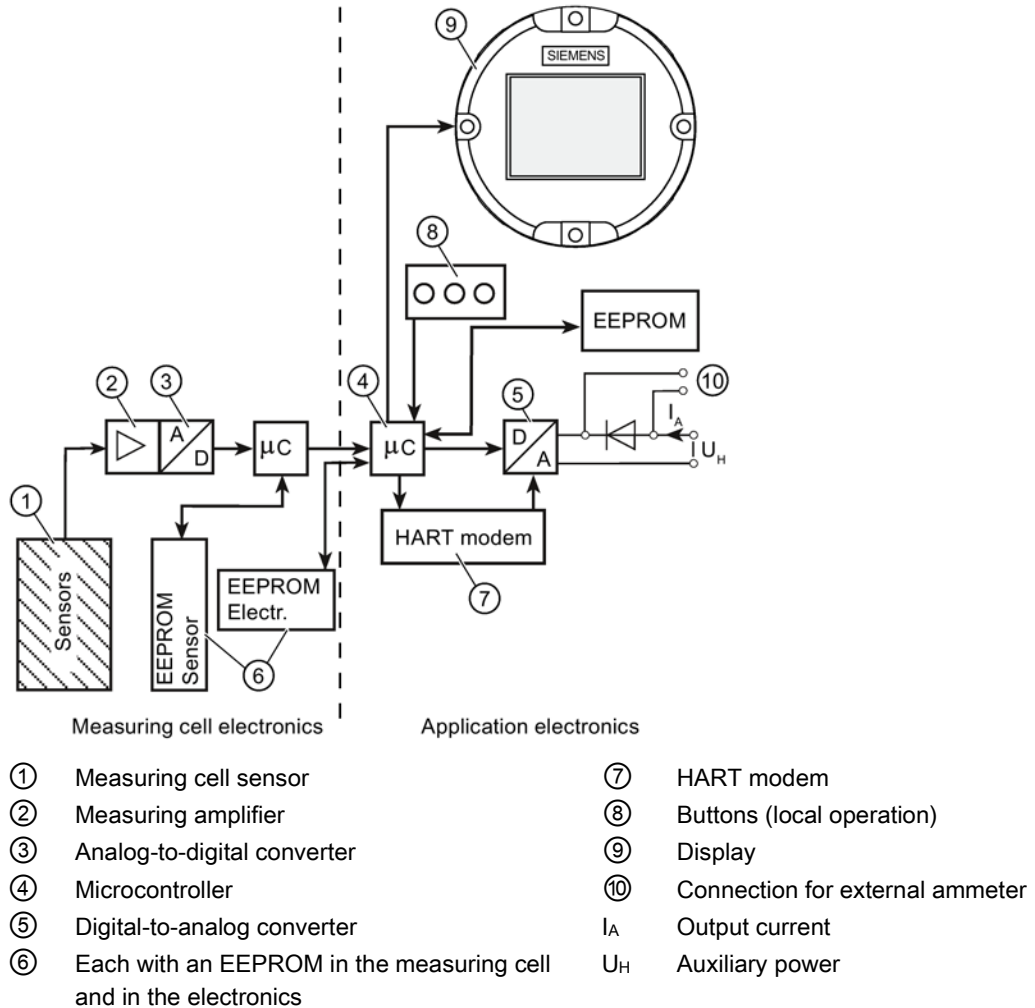


Figure 3-6 Operation of the electronics with HART communication

Function

- The input pressure is converted into an electrical signal by the sensor ①.
- This signal is amplified by the measuring amplifier ② and digitized in an analog-to-digital converter ③.
- The digital signal is analyzed in a microcontroller ④ and corrected with regard to linearity and thermal characteristics.




- The digital signal is then converted in a digital-to-analog converter ⑤ into the output current of 4 to 20 mA. A diode circuit provides reverse voltage protection.
- You can make an uninterrupted current measurement with a low resistance ammeter at the connection ⑩.
- The measuring cell-specific data, electronics data and parameter assignment data are saved in two EEPROMs ⑥. The first memory is linked to the measuring cell, the second to the electronics.

### Operation

- The buttons ⑧ can be used to call up individual functions, so-called modes.
- If you have a device with a display ⑨, you can use it to track the mode settings and other device messages.
- The basic mode settings can be changed with a computer and HART modem ⑦ via PDM.

## 3.6.3 Measuring cell operation

<p> <b>WARNING</b></p> <p><b>Destruction of the seal diaphragm</b></p> <p>Danger of injury or damage to device</p> <p>If the seal membrane is destroyed, the sensor may also be destroyed. If the seal membrane is destroyed, no reliable measured values can be output.</p> <p>Hot, toxic and corrosive process media can be released.</p> <ul style="list-style-type: none"> <li>• Ensure that the material of the device parts wetted by the process medium is suitable for the medium. Refer to the information in Technical data (Page 157).</li> <li>• Make sure that the device is suitable for the maximum operating pressure of your system. Refer to the information on the nameplate and/or in Technical data (Page 157).</li> <li>• Define maintenance intervals for regular inspections in line with device use and empirical values. The maintenance intervals will vary from site to site depending on corrosion resistance.</li> </ul>
---

In the following sections, the process variable to be measured is called general inlet pressure.

### Overview

The following modes of operation are described:

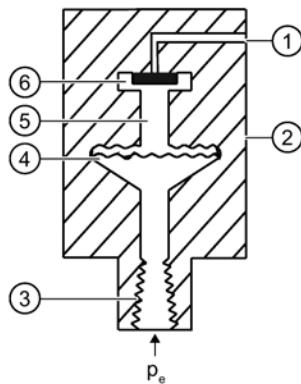
- Gauge pressure
- Differential pressure and flow rate

3.6 Functional principle

The following process connections are available, for example:

- G1/2 B, 1/2-14 NPT
- Male thread: M20
- Flange connection in accordance with EN 61518
- Flush-mounted process connections

3.6.3.1 Measuring cell for gauge pressure



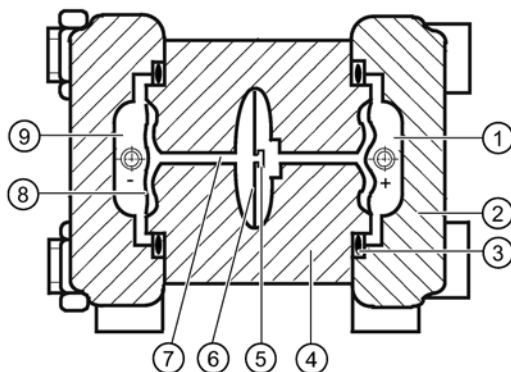
- |   |                            |       |                       |
|---|----------------------------|-------|-----------------------|
| ① | Reference pressure opening | ⑤     | Filling liquid        |
| ② | Measuring cell             | ⑥     | Gauge pressure sensor |
| ③ | Process connection         | $p_e$ | Inlet pressure        |
| ④ | Seal diaphragm             |       |                       |

Figure 3-7 Function chart of measuring cell for gauge pressure

The inlet pressure ( $p_e$ ) is transferred to the gauge pressure sensor ⑥ via the seal diaphragm ④ and the fill fluid ⑤, displacing its measuring diaphragm. The displacement changes the resistance of the four piezoresistors (bridge circuit) of the gauge pressure sensor. The change in the resistance causes a bridge output voltage proportional to the inlet pressure.

Pressure transmitters with spans  $\leq 6.3$  MPa measure the inlet pressure against atmosphere, those with spans  $\geq 16$  MPa the inlet pressure against vacuum.

## 3.6.3.2 Measuring cell for differential pressure and flow rate



- |   |                               |   |                               |
|---|-------------------------------|---|-------------------------------|
| ① | Inlet pressure P <sub>+</sub> | ⑥ | Overload diaphragm            |
| ② | Pressure cap                  | ⑦ | Filling liquid                |
| ③ | O-ring                        | ⑧ | Seal diaphragm                |
| ④ | Measuring cell body           | ⑨ | Inlet pressure P <sub>-</sub> |
| ⑤ | Differential pressure sensor  |   |                               |

Figure 3-8 Function chart of the measuring cell for differential pressure and flow rate

- Differential pressure is transmitted to the differential pressure sensor ⑤ through the seal diaphragms ⑧ and the filling liquid ⑦.
- When measuring limits are exceeded, the seal diaphragm ⑧ is displaced until the seal diaphragm rests on the measuring cell body ④. The differential pressure sensor ⑤ is thus protected against overloading since no further deflection of the overload diaphragm ⑥ is possible.
- The seal diaphragm ⑧ is displaced by the differential pressure. The displacement changes the resistance of the four piezoresistors (bridge circuit) of the differential pressure sensor.
- The change in the resistance causes a bridge output voltage proportional to the differential pressure.

## 3.7 Remote seal

### Product description

- A remote seal measuring system comprises the following elements:
  - Remote seal
  - Transmission line, e.g. capillary line
  - Transmitter.

---

#### Note

##### Malfunction of the remote seal measuring system

If you separate the components of the remote seal measuring system, this results in malfunctioning of the system.

Do not separate the components under any circumstances.

---

- The measuring system based on a hydraulic principle is used to transfer pressure.
- The capillary line and the remote seal diaphragm are the most sensitive components in the remote seal measuring system. The material thickness of the remote seal diaphragm is only ~ 0.1 mm.
- The smallest of leakages in the transmission system leads to the loss of transmission fluid.
- The loss of transmission fluid results in inaccuracies in the measurement and failure of the measuring system.
- In order to avoid leaks and measuring errors, please observe the installation and maintenance instructions in addition to the safety notes.

## 3.8 SIMATIC PDM

SIMATIC PDM is a software package for configuring, parameter assignment, commissioning, diagnostics and maintenance of this device and other process devices.

SIMATIC PDM offers simple monitoring of process values, alarms, and device status information of the transmitter.

SIMATIC PDM allows the process device data to be:


- displayed
- set
- modified
- saved
- diagnosed
- checked for plausibility


- managed
- simulated




# Installing/mounting

## 4.1 Basic safety instructions

 <b>WARNING</b>
<b>Wetted parts unsuitable for the process media</b> Danger of injury or damage to device. Hot, toxic and corrosive media could be released if the process medium is unsuitable for the wetted parts. <ul style="list-style-type: none"><li>• Ensure that the material of the device parts wetted by the process medium is suitable for the medium. Refer to the information in "Technical data" (Page 157).</li></ul>

 <b>WARNING</b>
<b>Incorrect material for the diaphragm in Zone 0</b> Danger of explosion in the hazardous area. In the case of operation with intrinsically safe supply units of category "ib" or devices of the flameproof enclosure version "Ex d" and simultaneous use in Zone 0, transmitter explosion protection depends on the tightness of the diaphragm. <ul style="list-style-type: none"><li>• Ensure that the material used for the diaphragm is suitable for the process medium. Refer to the information in the section "Technical data (Page 157)".</li></ul>

 <b>WARNING</b>
<b>Unsuitable connecting parts</b> Danger of injury or poisoning. In case of improper mounting hot, toxic and corrosive process media could be released at the connections. <ul style="list-style-type: none"><li>• Ensure that connecting parts (such as flange gaskets and bolts) are suitable for connection and process media.</li></ul>


---


### Note


#### Material compatibility


Siemens can provide you with support concerning selection of sensor components wetted by process media. However, you are responsible for the selection of components. Siemens accepts no liability for faults or failures resulting from incompatible materials.

---

 <b>WARNING</b>
<b>Exceeded maximum permissible operating pressure</b>
Danger of injury or poisoning.
The maximum permissible operating pressure depends on the device version. The device can be damaged if the operating pressure is exceeded. Hot, toxic and corrosive process media could be released.
<ul style="list-style-type: none"><li>• Make sure that the device is suitable for the maximum permissible operating pressure of your system. Refer to the information on the nameplate and/or in "Technical data (Page 157)".</li></ul>

 <b>WARNING</b>
<b>Exceeded maximum ambient or process media temperature</b>
Danger of explosion in hazardous areas.
Device damage.
<ul style="list-style-type: none"><li>• Make sure that the maximum permissible ambient and process media temperatures of the device are not exceeded. Refer to the information in Chapter "Technical data (Page 157)".</li></ul>

 <b>WARNING</b>
<b>Open cable inlet or incorrect cable gland</b>
Danger of explosion in hazardous areas.
<ul style="list-style-type: none"><li>• Close the cable inlets for the electrical connections. Only use cable glands or plugs which are approved for the relevant type of protection.</li></ul>

 <b>WARNING</b>
<b>Incorrect conduit system</b>
Danger of explosion in hazardous areas as result of open cable inlet or incorrect conduit system.
<ul style="list-style-type: none"><li>• In the case of a conduit system, mount a spark barrier at a defined distance from the device input. Observe national regulations and the requirements stated in the relevant approvals.</li></ul>

**See also**

Technical data (Page 157)

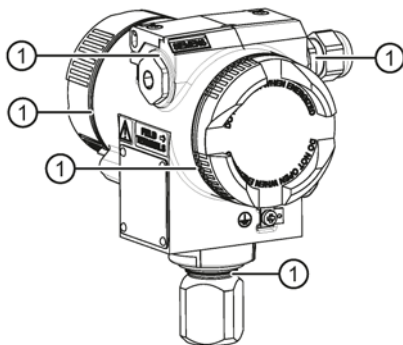


**⚠ WARNING**

**Danger with "flameproof enclosure" protection**

Danger of explosion in hazardous areas. An explosion may be caused by hot gas escaping from the flameproof enclosure if there is too little space between it and the fixed parts.

- Ensure that there is a space of at least 40 mm between the flameproof joint and the fixed parts.



① Flameproof joint

**⚠ WARNING**

**Loss of explosion protection**

Danger of explosion in hazardous areas if the device is open or not properly closed.


- Close the device as described in Chapter "Connecting the device (Page 52)".


**⚠ WARNING**

**Use of incorrect device parts in potentially explosive environments**


Devices and their associated device parts are either approved for different types of protection or they do not have explosion protection. There is a danger of explosion if device parts (such as covers) are used for devices with explosion protection that are not expressly suited for this type of protection. If you do not adhere to these guidelines, the test certificates and the manufacturer warranty will become null and void.


- Use only device parts that have been approved for the respective type of protection in the potentially explosive environment. Covers that are not suited for the "explosion-proof" type of protection are identified as such by a notice label attached to the inside of the cover with "Not Ex d Not SIL".
- Do not swap device parts unless the manufacturer specifically ensures compatibility of these parts.

 <b>CAUTION</b>
<b>Hot surfaces resulting from hot process media</b> Danger of burns resulting from surface temperatures above 70 °C (155 °F). <ul style="list-style-type: none"><li>• Take appropriate protective measures, for example contact protection.</li><li>• Make sure that protective measures do not cause the maximum permissible ambient temperature to be exceeded. Refer to the information in Chapter "Technical data (Page 157)".</li></ul>

 <b>CAUTION</b>
<b>External stresses and loads</b> Damage to device by severe external stresses and loads (e.g. thermal expansion or pipe tension). Process media can be released. <ul style="list-style-type: none"><li>• Prevent severe external stresses and loads from acting on the device.</li></ul>

### 4.1.1 Installation location requirements


 <b>WARNING</b>
<b>Insufficient air supply</b> The device may overheat if there is an insufficient supply of air. <ul style="list-style-type: none"><li>• Install the device so that there is sufficient air supply in the room.</li><li>• Observe the maximum permissible ambient temperature. Refer to the information in the section "Technical data (Page 157)".</li></ul>

 <b>CAUTION</b>
<b>Aggressive atmospheres</b> Damage to device through penetration of aggressive vapors. <ul style="list-style-type: none"><li>• Ensure that the device is suitable for the application.</li></ul>

<b>NOTICE</b>
<b>Direct sunlight</b> Increased measuring errors. <ul style="list-style-type: none"><li>• Protect the device from direct sunlight.</li></ul> Make sure that the maximum ambient temperature is not exceeded. Refer to the information in the section Technical data (Page 157).

## 4.1.2 Proper mounting


<b>NOTICE</b>
<b>Incorrect mounting</b> The device can be damaged, destroyed, or its functionality impaired through improper mounting. <ul style="list-style-type: none"><li>• Before installing ensure there is no visible damage to the device.</li><li>• Make sure that process connectors are clean, and suitable gaskets and glands are used.</li><li>• Mount the device using suitable tools. Refer to the information in Technical data (Page 157) for installation torque requirements.</li></ul>

 <b>CAUTION</b>
<b>Loss of degree of protection</b> Damage to device if the enclosure is open or not properly closed. The degree of protection specified on the nameplate or in Chapter "Technical data (Page 157)" is no longer guaranteed. <ul style="list-style-type: none"><li>• Make sure that the device is securely closed.</li></ul>

### See also

Connecting the device (Page 52)

## 4.2 Disassembly

 <b>WARNING</b>
<b>Incorrect disassembly</b> The following dangers may result through incorrect disassembly: <ul style="list-style-type: none"><li>- Injury through electric shock</li><li>- Danger through emerging media when connected to the process</li><li>- Danger of explosion in hazardous area</li></ul> In order to disassemble correctly, observe the following: <ul style="list-style-type: none"><li>• Before starting work, make sure that you have switched off all physical variables such as pressure, temperature, electricity etc. or that they have a harmless value.</li><li>• If the device contains dangerous media, it must be emptied prior to disassembly. Make sure that no environmentally hazardous media are released.</li><li>• Secure the remaining connections so that no damage can result if the process is started unintentionally.</li></ul>

## 4.3 installation

### 4.3.1 Installation instructions

#### Conditions

---

**Note**

Compare the desired operating data with the data on the nameplate.

Please also refer to the information on the remote seal if this is fitted.

---

**Note**

Protect the transmitter against:

- Direct heat radiation
  - Rapid temperature fluctuations
  - Heavy contamination
  - Mechanical damage
  - Direct sunlight
-

The installation location is to be as follows:

- Easily accessible
- As close as possible to the measuring point
- Vibration-free
- Within the permitted ambient temperature values

## **Installation configuration**

The transmitter may in principle be configured above or below the pressure tapping point. The recommended configuration depends on the aggregate state of the medium.

### **Installation configuration for gases**

Install the transmitter above the pressure tapping point.

Lay the pressure tubing with a constant gradient to the pressure tapping point, so that any condensation produced can drain in the main line and thereby avoid corruption of the measured values.

### **Installation configuration for vapor and liquid**

Install the transmitter below the pressure tapping point.

Lay the pressure tubing with a constant gradient to the pressure tapping point so that any gas pockets can escape in the main line.

## **4.3.2 Installation**

---

### **Note**

#### **Damage to measuring cell**

When installing the process connection of the pressure transmitter, do not rotate the housing. Rotating the housing may damage the measuring cell.

To avoid damage to the device, tighten the threaded nuts of the measuring cell using a wrench.

---

## **Procedure**

Attach the transmitter to the process connection with an appropriate tool.

## **See also**

Introduction to commissioning (Page 135)

### 4.3.3 Fastening

#### Fastening without the mounting bracket

You can fasten the pressure transmitter directly to the process connection.

#### Fastening with the mounting bracket

You can fasten the mounting bracket as follows:

- On a wall or a mounting frame using two screws
- On a vertical or horizontal mounting tube (Ø 50 to 60 mm) using a tube bracket

Fasten the pressure transmitter mounting bracket using the two screws provided.

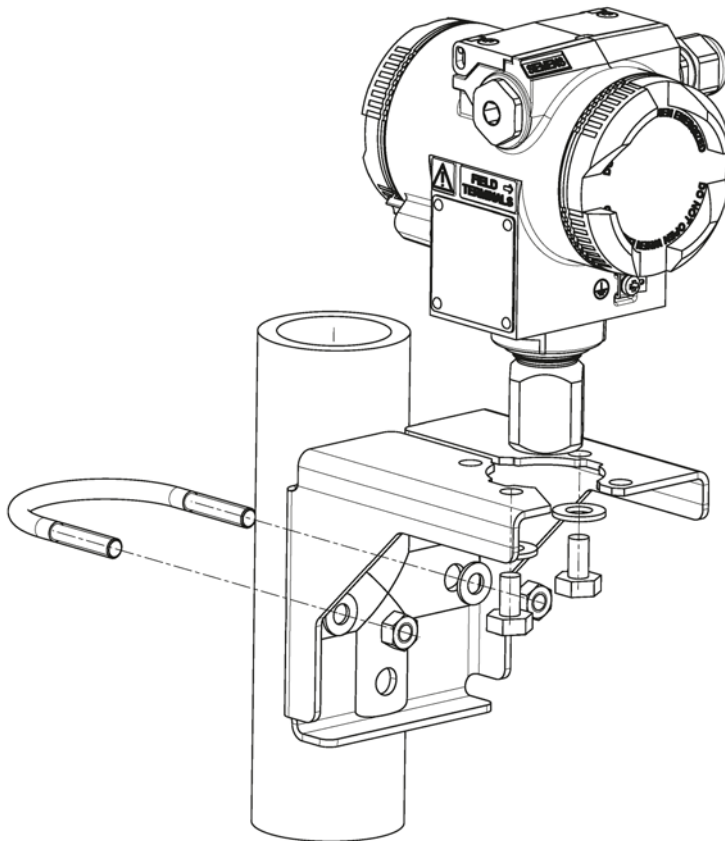


Figure 4-1 Fastening the pressure transmitter on the mounting bracket

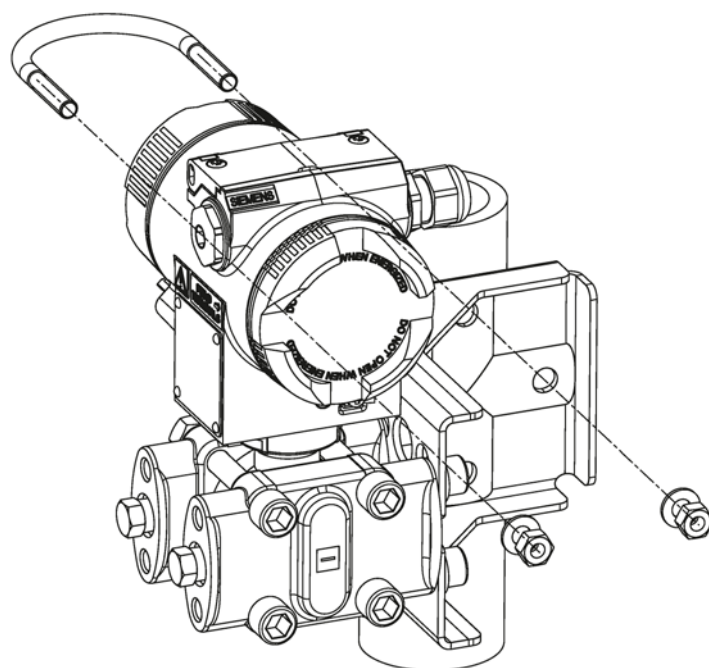


Figure 4-2 An example of fastening the pressure transmitter on the mounting bracket in the case of differential pressure and horizontal differential pressure lines

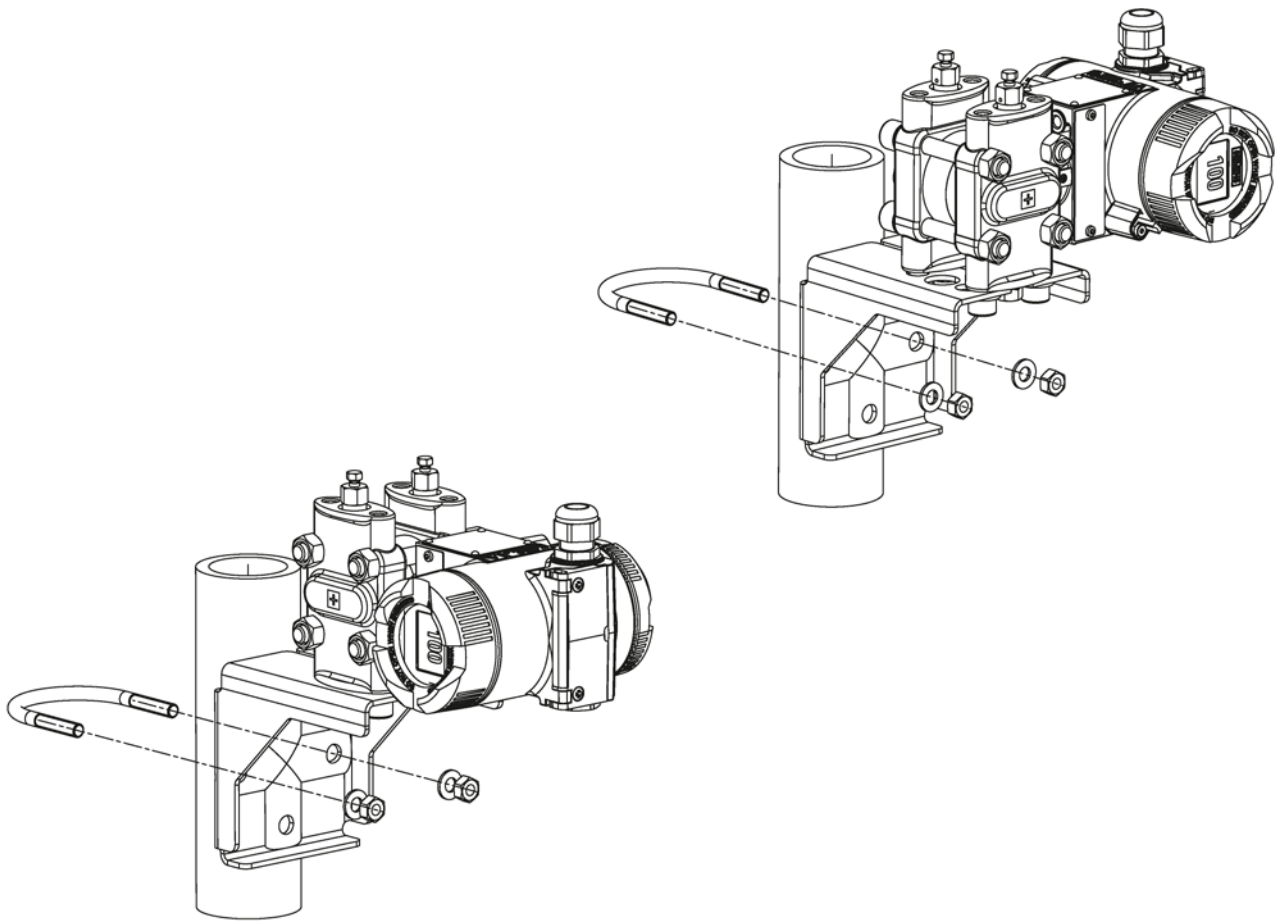


Figure 4-3 An example of fastening on the mounting bracket in the case of differential pressure and vertical differential pressure lines

## 4.4 "Remote seal" installation

### 4.4.1 Remote seal installation

#### General installation instructions

- Keep the measuring system in the factory packing until it is installed in order to protect it from mechanical damage.
- When removing from the factory packing and installing: ensure that damage to and mechanical deformations in the membrane are prevented.
- Never loosen the sealed filling screws on the remote seal and the measuring instrument.



- Do not cause damage to the remote separating membrane; scratches on the remote separating membrane, e.g. due to sharp-edged objects, are the main starting points for corrosion.
- Select suitable gaskets for sealing.
- Use a gasket having an adequately large inner diameter for flanging. Insert the gasket concentrically; contact with the membrane leads to deviations in measurements.
- When using gaskets made of soft materials or PTFE: follow the guidelines of the gasket manufacturer, especially regarding the tightening torque and setting cycles.
- At the time of installation, use suitable fastening components such as screws and nuts that are compliant with fitting and flange standards.
- Excessive tightening of screwed joints on the process connection may displace the zero point on the pressure transmitter.

---

**Note**

**Commissioning**

If a shut-off valve exists, open the shut-off valve slowly when commissioning in order to avoid pressure surges.

---

**Note**

**Permissible ambient and operating temperatures**

Install the pressure measuring device such that the permissible limits of ambient and measured medium temperatures are not overshoot or undershot even with the consideration of the effect of convection and heat radiation.

- Note the effect of temperature on the measuring accuracy.
  - When selecting the remote seals, ensure that fittings and flange components have adequate pressure-temperature resistance by selecting suitable materials and pressure ratings. The pressure rating specified on the remote seal applies to reference conditions according to IEC 60770.
  - For the maximum permissible pressure at higher temperatures, please refer to the standard specified on the remote seal.
- 

**Using remote seals with pressure measuring device for hazardous areas:**

- When using remote seals with pressure measuring device for hazardous areas, the permissible limits of ambient temperatures for the transmitter must not be exceeded. Hot surfaces on the cooling section (capillaries or cooling elements) are a possible source of ignition. Initiate suitable measures.
- When remote seals with a flame arrestor are used, the pressure measuring instrument determines the permissible ambient temperature. In the case of potentially explosive gaseous atmosphere, the temperature around the flame arrestor must not exceed +60 °C.

#### 4.4.2 Installation of the remote seal with the capillary line

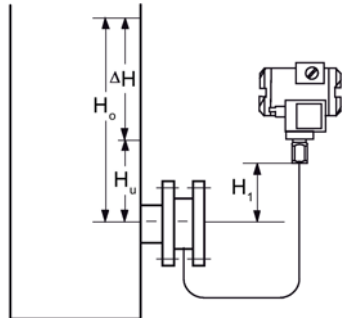
##### Notes

- Do not rest the measurement assembly on the capillary line.
- Do not bend capillary lines; risk of leakages and/or risk of considerable increase in the setting time of the measuring system.
- Owing to the risk of bending and breakages, pay attention to mechanical overloads at the joints such as capillary line-remote seal and capillary line-measuring device.
- Unwinding the excess capillary lines with a radius of at least 150 mm.
- Fasten the capillary line such that there are no vibrations.
- Permissible height differences:
  - When installing the pressure measuring device above the measuring point, keep the following in mind: the height difference of  $H_{1max}$  for remote seal measuring systems with silicone, glycerin or paraffin oil filling. = 7 m must not be exceeded.
  - If halocarbon oil is used as the filling liquid, this maximum height difference is only  $H_{1max} = 4$  m, see installation types A and B.

If negative overpressure is observed during measurements, reduce the permissible height difference accordingly.

**Installation type for gauge pressure and level measurements (open containers)**

**Installation type A**



Pressure transmitter above the measuring point

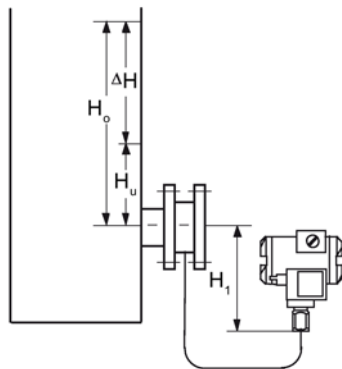
Start of scale value:

$$\rho_{MA} = \rho_{FL} * g * H_u - \rho_{oil} * g * H_1$$

Full scale value:

$$\rho_{ME} = \rho_{FL} * g * H_o - \rho_{oil} * g * H_1$$

**Installation type B**



Pressure transmitter below the measuring point

Start of scale value:

$$\rho_{MA} = \rho_{FL} * g * H_u + \rho_{oil} * g * H_1$$

Full scale value:

$$\rho_{ME} = \rho_{FL} * g * H_o + \rho_{oil} * g * H_1$$

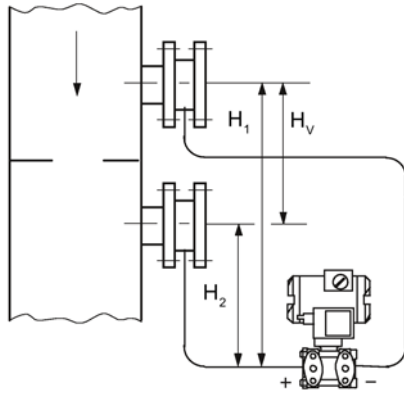
$H_1 \leq 7 \text{ m (23 ft)}$ ; with halocarbon oil as the filling liquid, only  $H_1 \leq 4 \text{ m (13.1 ft)}$

**Key**

$\rho_{MA}$	Start of scale value
$\rho_{ME}$	Full scale value
$\rho_{FL}$	Density of the process medium in the container
$\rho_{oil}$	Density of the filling oil in the capillary line of the remote seal
$g$	Acceleration due to gravity
$H_u$	Lower filling level
$H_o$	Upper filling level
$H_1$	Distance between the container flange and the pressure transmitter

Installation type for differential pressure and flow rate measurements

Installation type D



Start of scale value:  
 $p_{MA} = p_{start} - \rho_{oil} * g * H_v$   
 Full scale value:  
 $p_{ME} = p_{end} - \rho_{oil} * g * H_v$

Key

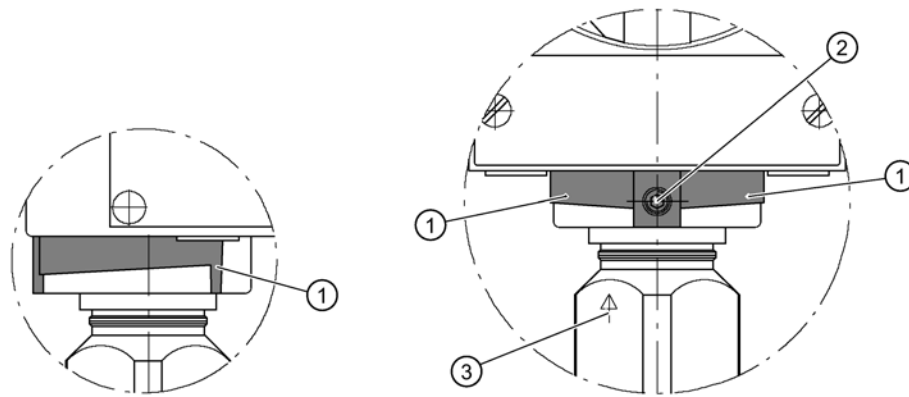
$p_{MA}$	Start of scale value
$p_{ME}$	Full scale value
$p_{start}$	Start of scale pressure
$p_{end}$	Full scale pressure
$\rho_{oil}$	Density of the filling oil in the capillary line of the remote seal
$g$	Acceleration due to gravity
$H_v$	Gland distance

## 4.5 Turning the measuring cell against housing

### Description

You can turn the measuring cell against the housing. Turning simplifies the transmitter operation in the case of an angled installation environment. The buttons and the current connection can thus also be operated for an external measuring device. The display also remains visible in enclosure covers with an inspection window.

Only limited turning is permissible! The turning range ① is marked at the foot of the electronic housing. An orientation mark ③ is provided at the throat of the measuring cell. This mark must remain in the marked section when turning.



- ① Turning range
- ② Retaining screw
- ③ Orientation mark

Figure 4-4 Example: Range of rotation with transmitters for gauge pressure

The range of rotation for transmitters for differential pressure and flow rate is similarly marked.

## Procedure

### NOTICE

#### Damage to the ribbon cable

If the transmitter enclosure is rotated against the measuring cell, this can damage the ribbon cable (sensor connection to the electronics).

- Comply with the specified range of rotation ① as detailed.

1. Loosen the retaining screw ② (Allen screw 2.5 mm).
2. Turn the electronic housing against the measuring cell. Follow the marked turning range ① while doing so.
3. Tighten the retaining screw (torque: 3.4 to 3.6 Nm).

## 4.6 Rotating the display

You can rotate the display in the electronics enclosure. This makes it easier to read the display if the device is not being operated in a vertical position.


**Procedure**


1. Unscrew the cover of the electrical cable compartment. See section Structure (Page 23). An identification text "FIELD TERMINAL" is provided at the side of the housing.
2. Unscrew the display. Depending on the application position of the transmitter, you can reinstall it at four different positions. You can turn it by  $\pm 90^\circ$  or  $\pm 180^\circ$ .
3. Screw the covers back on as far as they will go.
4. Secure the covers with the cover catch.


# Connecting


## 5.1 Basic safety instructions


### 5.1.1 Unsuitable cables and/or cable glands


 <b>WARNING</b>
<b>Unsuitable cables and/or cable glands</b> Danger of explosion in hazardous areas. <ul style="list-style-type: none"><li>• Only use suitable cables and cable glands complying with the requirements specified in Chapter "Technical data (Page 157)".</li><li>• Tighten the cable glands in accordance with the torques specified in Chapter "Technical data (Page 157)".</li><li>• When replacing cable glands use only cable glands of the same type.</li><li>• After installation check that the cables are seated firmly.</li></ul>


 <b>WARNING</b>
<b>Improper power supply</b> Danger of explosion in hazardous areas as result of incorrect power supply, e.g. using direct current instead of alternating current. <ul style="list-style-type: none"><li>• Connect the device in accordance with the specified power supply and signal circuits. The relevant specifications can be found in the certificates, in Chapter "Technical data (Page 157)" or on the nameplate.</li></ul>

 <b>WARNING</b>
<b>Unsafe extra-low voltage</b> Danger of explosion in hazardous areas due to voltage flashover. <ul style="list-style-type: none"><li>• Connect the device to an extra-low voltage with safe isolation (SELV).</li></ul>

 <b>WARNING</b>
<b>Lack of equipotential bonding</b> Danger of explosion through compensating currents or ignition currents through lack of equipotential bonding. <ul style="list-style-type: none"><li>• Ensure that the device is potentially equalized.</li></ul> <b>Exception:</b> It may be permissible to omit connection of the equipotential bonding for devices with type of protection "Intrinsic safety Ex i".

 <b>WARNING</b>
<b>Unprotected cable ends</b> Danger of explosion through unprotected cable ends in hazardous areas. <ul style="list-style-type: none"><li>• Protect unused cable ends in accordance with IEC/EN 60079-14.</li></ul>

 <b>WARNING</b>
<b>Improper laying of shielded cables</b> Danger of explosion through compensating currents between hazardous area and the non-hazardous area. <ul style="list-style-type: none"><li>• Only ground shielded cables that run into the hazardous area at one end.</li><li>• If grounding is required at both ends, use an equipotential bonding conductor.</li></ul>

 <b>WARNING</b>
<b>Connecting device in energized state</b> Danger of explosion in hazardous areas. <ul style="list-style-type: none"><li>• Connect devices in hazardous areas only in a de-energized state.</li></ul> <b>Exceptions:</b> <ul style="list-style-type: none"><li>• Circuits of limited energy may also be connected in the energized state in hazardous areas.</li><li>• Exceptions for type of protection "Non-sparking nA" (Zone 2) are regulated in the relevant certificate</li></ul>



 **WARNING**

**Incorrect selection of type of protection**

Danger of explosion in areas subject to explosion hazard.

This device is approved for several types of protection.

1. Decide in favor of one type of protection.
2. Connect the device in accordance with the selected type of protection.
3. In order to avoid incorrect use at a later point, make the types of protection that are not used permanently unrecognizable on the nameplate.

**NOTICE**

**Ambient temperature too high**

Damage to cable sheath.

- At an ambient temperature  $\geq 60$  °C (140 °F), use heat-resistant cables suitable for an ambient temperature at least 20 °C (36 °F) higher.

**NOTICE**

**Incorrect measured values with incorrect grounding**

The device must not be grounded via the "+" connection. It may otherwise malfunction and be permanently damaged.

- If necessary, ground the device using the "-" connection.

---

**Note**

**Electromagnetic compatibility (EMC)**

You can use this device in industrial environments, households and small businesses.

For metal housings there is an increased electromagnetic compatibility compared to high-frequency radiation. This protection can be increased by grounding the housing, see Chapter "Connecting the device (Page 52)".

---

---

**Note**

**Improvement of interference immunity**

- Lay signal cables separate from cables with voltages > 60 V.
  - Use cables with twisted wires.
  - Keep device and cables in distance to strong electromagnetic fields.
  - Use shielded cables to guarantee the full specification according to HART.
  - Refer to HART communication information in Chapter "Technical data (Page 157)".
- 

## 5.2 Connecting the device

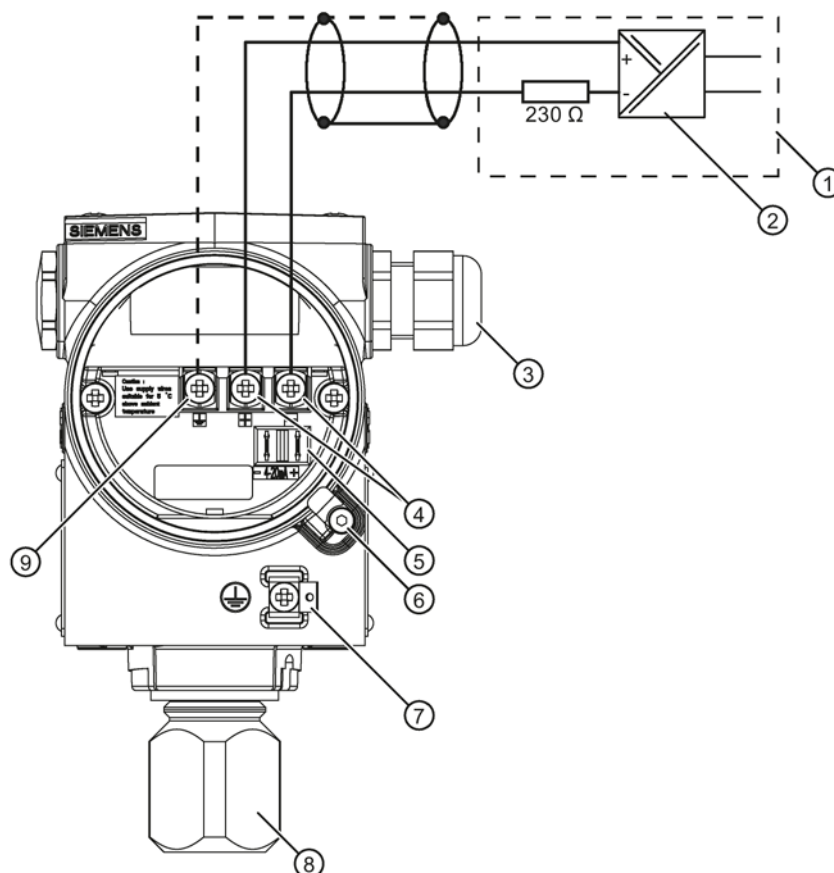
### Opening the device

1. Unscrew the cover of the electrical cable compartment. An identification text "FIELD TERMINAL" is provided at the side of the housing.

### Connecting the device

1. Lead the connecting cable through the cable gland ③.
2. Connect the device to the plant with the protective conductor connection ⑦.

3. Connect the wires to the terminals "+" and "-". ④  
Observe the correct polarity. If necessary, ground the device using the "-" connection by connecting the "-" connection to the ground terminal ⑨.
4. If necessary, connect the shield to the screw of the ground terminal ⑨. The ground terminal is electrically connected to the external protective conductor connection ⑦.



- |   |   |
|---|---|
| ① Isolating power supply with integrated load   | ⑤ Test connector for direct current measuring device or connection for external display |
| ② Auxiliary power                               | ⑥ Safety catch  |
| ③ Cable entry for auxiliary power/analog output | ⑦ Protective conductor connection/ equipotential bonding terminal                       |
| ④ Connecting terminals                          | ⑧ Process connection  |
|   | ⑨ Ground terminal   |

Figure 5-1 Electrical connection, power supply

### Closing the device

1. Screw the covers ④ ⑦ back on as far as they will go.
2. Secure each cover with the cover catch ③ ⑥.
3. Close the key cover ①.

5.2 Connecting the device

4. Tighten the screws in the key cover.
5. Check the tightness of the blanking plugs ⑤ and cable gland ② in accordance with the degree of protection.

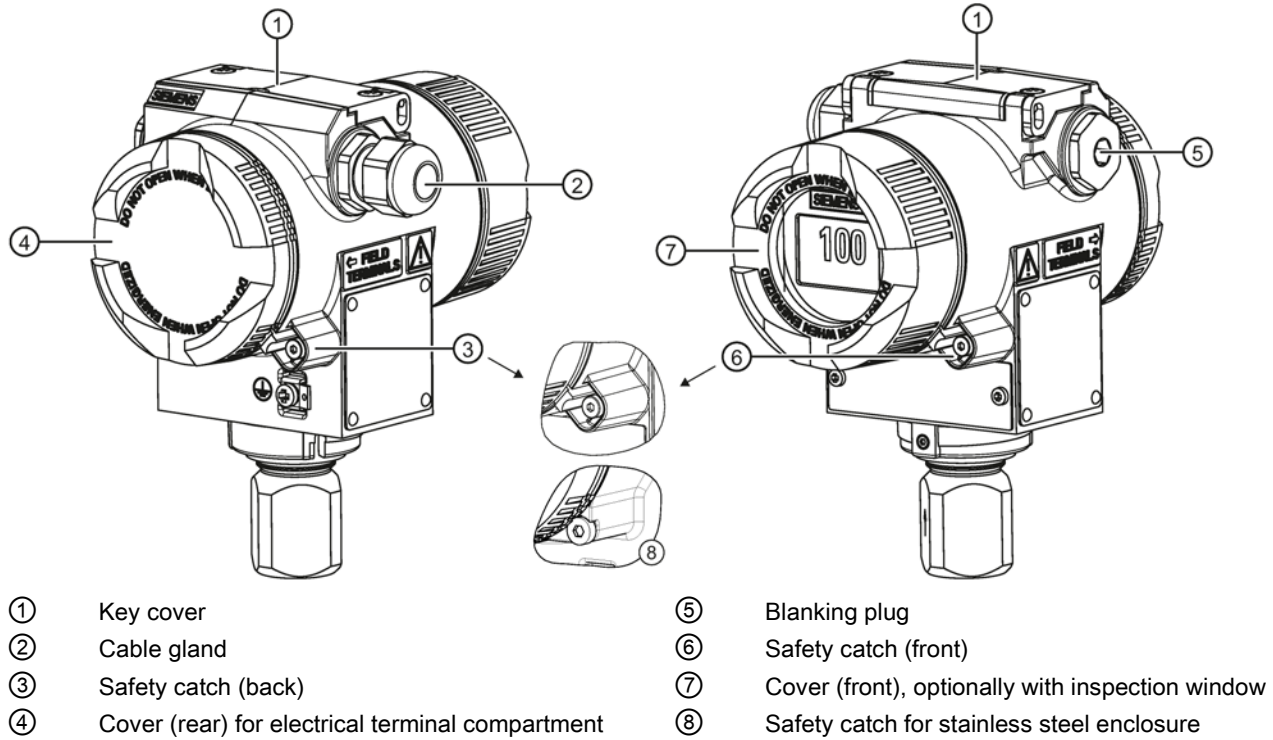


Figure 5-2 View of the transmitter: Left: Back right: Front view

See also

Structure (Page 23)

# Operation

## 6.1 Overview of operation

### Introduction

The following description contains an overview of the operating functions that you can execute using the pressure transmitter, and the safety notes that are to be observed when doing so. You can operate the transmitter on-site through HART communication. First, the on-site operation and then, the operating functions using HART are described.

### Contents of the chapter

- Basic safety instructions (Page 56)
- Instructions for operation (Page 56)
- Display (Page 57)
- Local operation (Page 62)

### Overview of operating functions

You can configure basic settings of the pressure transmitter using the buttons on the device. You can configure all settings through HART communication.

The following table describes the basic operating functions. More operating functions for special applications are accessible through HART.

Table 6- 1 Operating functions

Function	Using buttons	Using HART
Start of scale value	Yes	Yes
Full scale value	Yes	Yes
Electrical damping	Yes	Yes
Blind adjustment of the start of scale value	Yes	Yes
Blind adjustment of the full scale value	Yes	Yes
Zero point calibration (position correction)	Yes	Yes
Current simulator	Yes	Yes
Fault current	Yes	Yes
Keyboard lock and write protection	Yes	Yes, release except for write protection
Unit type, unit	Yes	Yes

Function	Using buttons	Using HART
Characteristic curve (lin., rad.) (Not relevant for absolute or gauge pressure)	Yes	Yes
Customized characteristic curve	No	Yes
Diagnostic function	No	Yes

More operating functions for special applications are accessible through HART.

If a device does not have a display, its operations are limited. This is however not applicable for selecting functions using HART.

## 6.2 Basic safety instructions

---

### Note

#### Incorrect reproduction of the process pressure

If you have changed the basic functions of the pressure transmitter, the display and the measurement output could be set such that the actual process pressure is not reproduced.

Therefore, check the basic parameters before commissioning.

---

## 6.3 Instructions for operation

The following rules are applicable for the operation of the pressure transmitter:

- The device counts numerical values always in an ascending order step by step starting from the least significant digit displayed.

If you keep the button pressed for a longer time, it counts the next higher digit displayed. This procedure is used for fast coarse adjustment over a wide number range. Release the [↑] or [↓] button again for fine adjustment. Press the button again.

Violations of the measured value limits are output on the display by ↑ or ↓.

- The keyboard must have been unlocked in order to operate the device using the keyboard.
- If you are operating the transmitter locally, write access is denied through HART during this time.

However, it is always possible to read the data, e.g. measured values.

---

### Note

The setting is saved and the measured values are automatically displayed again if more than two minutes have passed after a button was pressed for the last time.

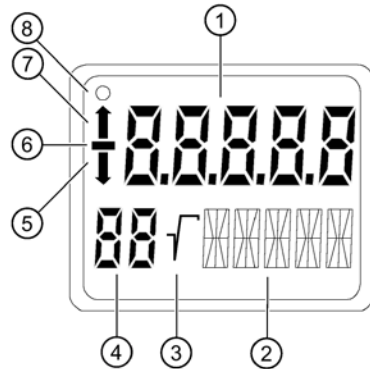
The operating instructions in the "Local operation without display" section apply if the device has been delivered with a blind cover.

---

## 6.4 Display

### 6.4.1 Display elements

#### Structure



- |   |                  |   |                           |
|---|------------------|---|---------------------------|
| ① | Measured value   | ⑤ | Violation of lower limit  |
| ② | Unit/bar graph   | ⑥ | Symbol for measured value |
| ③ | Root display     | ⑦ | Violation of higher limit |
| ④ | Mode/button lock | ⑧ | Communication display     |

Figure 6-1 Display layout

#### Description

The display is used for the local display of the measured value ① with:

- Unit ②
- Mode ④
- Sign ⑥
- Statuses ⑤ and ⑦

Depending on the customer setting, the displayed measured value ① represents the following:

- The current emitted by the transmitter
- The percentage measurement value of the adjusted measurement type, e.g. level, related to the adjusted measurement range.
- The measurement value in a selectable physical unit

The *Violation of lower limit* ⑤ and *Violation of upper limit* ⑦ displays are also referred to as status since they have meanings dependent on the settings.

If the communication display ⑧ blinks, this indicates an active communication.

### 6.4.2 Units display

#### Description

The unit display comprises five 14-segment fields for representing the unit as a percentage value, physical unit or current value. A bar graph showing the percentage measured value range from 0 to 100% can be displayed as an alternative to the unit. The bar graph function is disabled by default.

#### Display

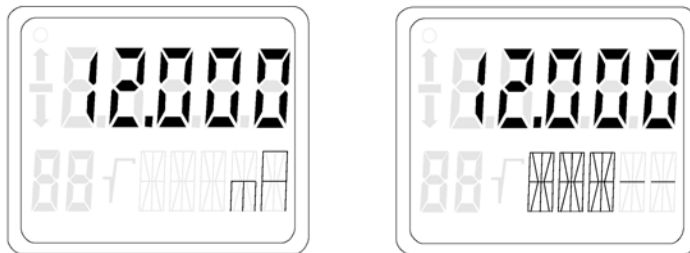


Figure 6-2 Examples for measured value display for current and bar graph

The following messages may appear as a ticker in the bottom line of the display. They have no influence on the current output.

Table 6- 2 Message as ticker

Ticker	Meaning
"DIAGNOSTIC WARNING"	<p>Is always displayed if:</p> <ul style="list-style-type: none"> <li>• An event configured by the user is to be signaled with a warning. For example: <ul style="list-style-type: none"> <li>– Limit reached</li> <li>– Event counter for limit values exceeded</li> </ul> </li> <li>• The status of one of the device variables is "UNCERTAIN".</li> </ul>

### 6.4.3 Error display

#### Description

If hardware faults, software errors or diagnostic alarms occur in the transmitter, the message "Error" appears in the measured value display.

A ticker appears in the bottom line of the display indicating the type of error. This diagnostic information is also available via HART communication.



## Display

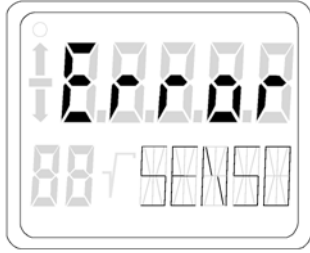


Figure 6-3 Example of error message

The following messages may appear as a ticker in the bottom line of the display.

Ticker	Meaning
"HARDWARE FIRMWARE ALARM"	<p>Contains hardware faults such as:</p> <ul style="list-style-type: none"> <li>• incorrect checksum</li> <li>• incorrect EEPROM data</li> <li>• Defective EEROM</li> <li>• RAM fault</li> <li>• ROM fault</li> <li>• inconsistent data</li> <li>• EEPROMs not initialized</li> </ul>
"DIAGNOSTIC ALARM"	<p>Is always displayed if</p> <ul style="list-style-type: none"> <li>• an event configured by the user is to be signaled with an alarm.</li> </ul> <p>For example:</p> <ul style="list-style-type: none"> <li>- Limit reached</li> <li>- Event counter for limit values exceeded</li> </ul> <p>the status of one of the device variables is "BAD".</p>
"SENSOR BREAK"	Appears when there is a sensor break.

### 6.4.4 Mode display

#### Description

The selected active mode is shown in the mode display.

## Display

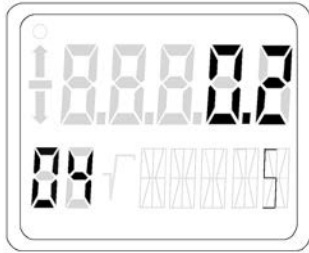


Figure 6-4 Example for mode display

In the example, a damping of 0.2 seconds was set in mode 4.

### 6.4.5 Status display

#### Description

The arrows of the status display have a different meaning depending on the mode setting. The table below shows the meanings of the arrows in the respective functions.

#### Meaning

Table 6-3 Meaning of the arrow displays

Function	Mode	Display ↑	Display ↓
Adjusting start of scale value	2	if the upper current limit is exceeded	if the value falls below the lower current limit
Adjusting full scale value	3	if the upper current limit is exceeded	if the value falls below the lower current limit
Adjusting damping	4	if the upper damping value is exceeded only for the pressure device version	if the value falls below the lower damping value only for the pressure device version
Blind adjustment of the start of scale value	5	if the upper sensor limit is exceeded	if the value falls below the lower sensor limit
Blind adjustment of the full scale value	6	if the upper sensor limit is exceeded	if the value falls below the lower sensor limit
Position correction	7	if the max span is exceeded by more than 5% of the upper current limit	if the value falls below the lower current limit
Root application point	12	if the root application point of 15% is exceeded	if the value falls below the root application point of 5%

Function	Mode	Display ↑	Display ↓
Keyboard operation	2, 3, 5, 6	when the span to be adjusted is larger than the maximum span	when the span to be adjusted is smaller than the minimum span
Normal operation		Current exceeds the upper saturation limit Pressure exceeds the upper sensor limit.	Current falls below the lower saturation limit Pressure falls below the lower sensor limit.

## 6.4.6 Overflow range

### Description

The output signal is divided into defined ranges:

- Measuring range
- Saturation limits
- Fault current

The transmitter emits the output current according to the device variables selected as primary variable (PV). The working range of the current lies between 4 mA and 20 mA.

### Meaning

When the measurement limits are exceeded or not reached, the measured values are correctly displayed in the overflow range.

A ticker is displayed in the bottom line of the display showing alternately the message UNDER or OVER and the selected unit. The possible overflow range can be adjusted via HART communication. If either of the overflow limits are violated, the output current remain constant. Violations of the measured value limits are output on the display by ↑ or ↓.

---

#### Note

The setting of the overflow range and the fault current range can be freely selected via HART communication.

---

### Reference

NAMUR recommendation NE43 dated 03.02.2003

"Standardization of the signal level for the breakdown information of digital transmitters"

See also

- Fault current (Page 107)
- Setting the current limits (Page 107)

## 6.5 Local operation

### 6.5.1 Local control elements

#### Introduction

The transmitter can be operated on-site using the keys. Selectable modes can be used to choose and execute the functions described in the table. The number of available functions is limited if the device does not have a display.

#### Control elements

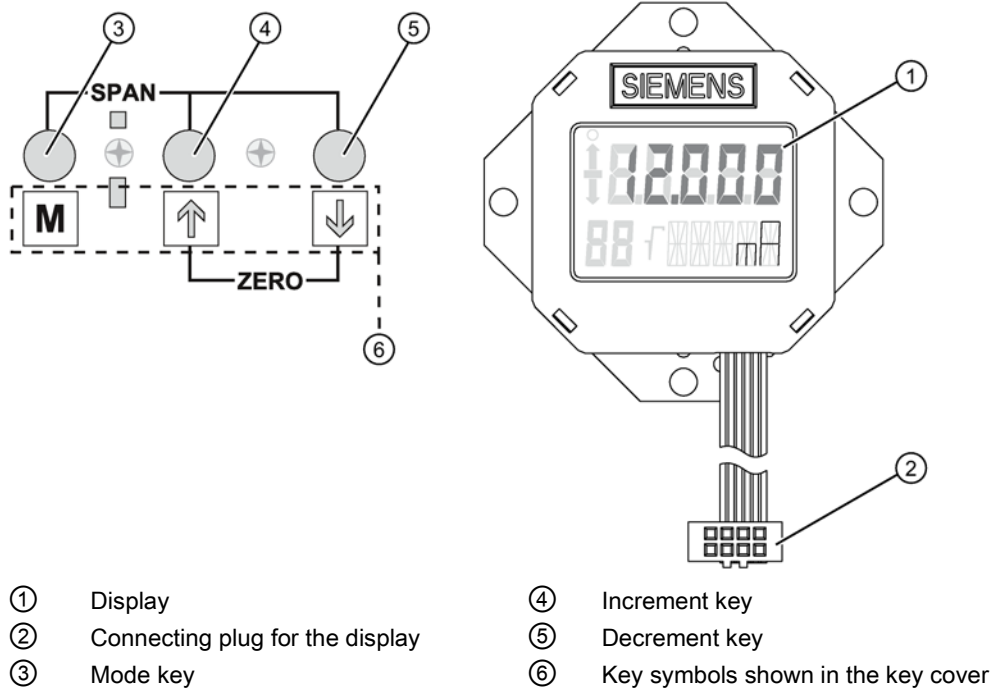


Figure 6-5 Position of keys and display

## Operating functions

Table 6- 4 Operating functions using keys

Function	Mode	Key function			Display, explanations	Factory setting (default value)	
	[M]	[↑]	[↓]	[↑] and [↓]			
Measured value	The modes are selected here.				The current measured value is displayed as you have adjusted it in the "Measured value display, mode 13" function.		
Start of scale value (only in "Pressure" measuring mode)	2	Current higher	Current lower	Set to 4 mA	Output current in mA		
Full scale value (only in "Pressure" measuring mode)	3	Current higher	Current lower	Set to 20 mA	Output current in mA		
Electrical damping	4	Damping higher	Damping lower	Set to 0	Time constant T63 in seconds Adjustment range: 0.0 s to 100.0 s	2 s	
Start of scale value in the so-called blind adjustment	5	Pressure higher	Pressure lower	Set the start of scale value to 0	Start of scale value in the selected pressure unit	"0"; for ordering options Y01 and Y02 as ordered	
Full scale value in the so-called blind adjustment	6	Pressure higher	Pressure lower	Set the full scale value to upper measuring limit	Full scale value in the selected pressure unit	Measuring cell full scale value; for ordering options Y01 and Y02 as ordered	
Zero point calibration (position correction)	7	Correction value higher	Correction value lower	execute	Ventilate the transmitter for gauge pressure, differential pressure, flow rate or level. (Start of scale value remains unaffected) Measured value in pressure unit		
Current simulator	8	Current higher	Current lower	switch on	constant output current in mA "3.6"; "4", "12", "20" or "22.8" Switch off using the [M] key.		
Output current in case of fault	9	Switch between lower fault current and upper fault current.		lower fault current	selected output current possible: Fault current limits adjusted by user	22.8 mA	
Key lock or function lock	10	Switch between the five functions		-	0	None	"0" for devices with inspection window in the cover "LS" for devices with no inspection window in the
					LA	all locked	
					LO	all locked except for start of scale value	
					LS	all locked except for start of scale value and full scale value	

Function	Mode	Key function			Display, explanations		Factory setting (default value)
	[M]	[↑]	[↓]	[↑] and [↓]			
					L	Write protection Operation via HART not possible.	cover
Characteristic curve <sup>1)</sup>	11	Switch between the four functions		linear	lin	linear	"lin" (also for ordering option Y01) "srli2" for ordering option Y02
					srli	square root extracting (linear up to the application point)	
					sroff	Square root extracting (deactivated up to the application point)	
					srli2	square root extracting (linear up to the application point 10%)	
Application point of the square root extracting characteristic curve <sup>1)</sup>	12	Greater	Smaller	10% flow rate	Adjustment range of 5 to 15% flow rate.		not available for ordering option Y02 or characteristic curve = srli2
Measured value display	13	Select from three options.		–	<ul style="list-style-type: none"> <li>• Display type (input value)</li> <li>• Output current in mA</li> <li>• Measured value in %</li> </ul>		"mA" (for ordering options Y21 and Y22, unit as specified)
Unit	14	Select from the table for measured value display.		In each case, the first value from the table of the physical unit	Physical unit		"bar" (for ordering options Y21 and Y22, unit as specified)
<sup>1)</sup> Not relevant for gauge pressure							

## 6.5.2 Operation using buttons

### Introduction

This overview informs you about the most important safety notes to be observed when operating the pressure transmitter. Furthermore, the overview guides you in adjusting the operating functions on site.

### Condition

The keyboard must have been unlocked in order to operate the device using the buttons.

### Procedure

In the default setting, the device is in the measured value display.

To adjust the operating functions, proceed as follows:

1. Loosen both the screws of the keyboard cover and lift it upwards.
2. Keep pressing the [M] button until the desired mode is displayed.
3. Keep pressing the [ $\uparrow$ ] or [ $\downarrow$ ] button until the desired value is displayed.
4. Press the [M] button.

Now you have saved the values and the device goes to the next mode.

5. Close the keyboard cover using the two screws.

---

**Note**

The setting is saved and the measured values are automatically displayed again if more than two minutes have passed after a button was pressed for the last time.

---

**See also**

Releasing key lock or function lock (Page 81)

**6.5.3 Start of scale value/full scale value****6.5.3.1 Difference between setting and adjusting****Introduction**

In "Pressure" measuring mode, you can set or adjust the start of scale value and full scale value using the buttons. Modes 2 and 3 are used for this. Rising and falling characteristic curves can be realized with appropriate use of the buttons. If the transmitter is not in "Pressure" measuring mode, this mode is skipped in local operation.

**Difference**

The difference between setting and adjusting lies in the calculation.

**Setting with reference pressure****Requirement**

Two reference pressures  $p_{r1}$  and  $p_{r2}$  are available. The reference pressures are initialized by the process or generated by a pressure sensor.

When setting, a desired start of scale value or a full scale value is allocated to the standard current values (4 mA or 20 mA). After setting, the span given on the nameplate may no longer correspond to the setting.

Depending on the series and measuring range, a maximum downscaling of 1:100 can be achieved (measuring span ratio = r, turn down).

The correlation between the measured pressure and the output current generated is linear. The square root extracting characteristic curve for differential pressure transmitters is an exception. Calculate the output current using the following formula.

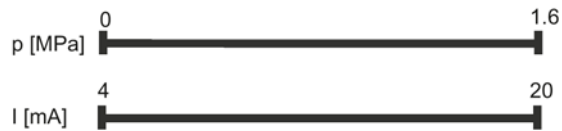
$$I = \frac{p - MA}{ME - MA} * 16 \text{ mA} + 4 \text{ mA}$$

I	Output current	MA <sub>actual</sub>	Old start of scale value
p	Pressure	ME <sub>actual</sub>	Old full scale value
MA	Start of scale value	MA <sub>target</sub>	New start of scale value
ME	Full scale value	ME <sub>target</sub>	New full scale value

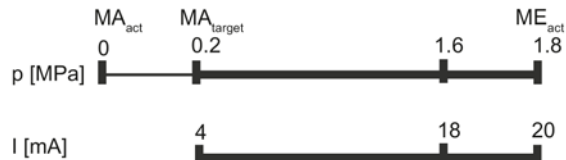
Figure 6-6 Current calculation formula for setting

**Example of setting with reference pressure**

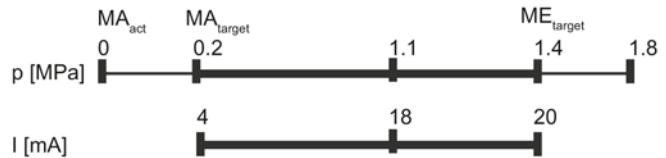
A Initial situation



B Setting start of scale value



C Setting full scale value



Example of setting with reference pressure

Explanations for the example of setting with reference pressure

- A The measuring range is from 0 to 1.6 MPa. You change the start-of-scale value from 0 to 0.2 MPa and the full-scale value from 1.6 MPa to 1.4 MPa. The span is then 1.2 MPa.
- B You apply a process pressure of 0.2 MPa.  
Use the [M] button to set the transmitter to mode 2. To set the start of scale value, press the [↑] and [↓] buttons simultaneously for 2 seconds.  
If the input pressure is 0.2 MPa, the transmitter generates an output current of 4 mA.
- C You apply a process pressure of 1.4 MPa.  
Use the [M] button to set the transmitter to mode 3. To set the full scale value, press the [↑] and [↓] buttons simultaneously for 2 seconds.  
If the input pressure is 1.4 MPa, the transmitter generates an output current of 20 mA.
- D The output current can be calculated for any input pressure using the "current calculation formula for setting".



**Note**

If the value exceeds or falls below the preset measuring limits by more than 20% when setting, the setting function is not carried out. The old value is retained in this case.

With a marked elevation of the zero point, the full scale value must therefore previously be reduced such that it still lies within the permitted range after elevation of the zero point. This setting function is only possible in "Pressure" measuring mode.

**Adjusting with reference pressure**

Requirement:

The reference pressure, the adjusted start of scale value and adjusted full scale value are known.

When adjusting, a start of scale value or a full scale value can be allocated to a desired current value with the aid of a reference pressure. This function is particularly suitable when the required pressures for the start of scale value and the full scale value are not available. After adjustment, the measuring range specified on the nameplate may no longer correspond to the setting made.

Using the formulae below, the current to be set for the desired start of scale value and the full scale value can be calculated.

To calculate the output currents when setting the start of scale value or the full scale value, the reference pressure must be selected such that a value between 4 and 20 mA results for the current.

$$I = \frac{p - MA}{ME - MA} * 16 \text{ mA} + 4 \text{ mA}$$

$$I_{ME} = \frac{p_{ref} - MA_{target}}{ME_{target} - MA_{target}} * 16 \text{ mA} + 4 \text{ mA}$$

I	Output current	MA <sub>actual</sub>	Old start of scale value
I <sub>MA</sub>	Current to be adjusted with MA <sub>target</sub>	ME <sub>actual</sub>	Old full scale value
I <sub>ME</sub>	Current to be adjusted with ME <sub>target</sub>	MA <sub>target</sub>	New start of scale value
p	Pressure	ME <sub>target</sub>	New full scale value
p <sub>ref</sub>	Existing reference pressure		

Figure 6-7 Current calculation formula for setting with reference pressure

**Example of adjusting with reference pressure**

A Initial situation



B Calculating start of scale value



C Calculating full scale value



Example of adjusting with reference pressure

Explanations for the example of adjusting with reference pressure

- A The measuring range is from 0 to 1.6 MPa. You change the start-of-scale value from 0 to 0.2 MPa and the full-scale value from 1.6 MPa to 1.4 MPa. The span is then 1.2 MPa. You apply a reference pressure of 1.1 MPa.
- B Use the [M] button to set the transmitter to mode 2. The "Current calculation formula for adjusting with reference pressure" can be used to calculate the current to be set for the desired start-of-scale value  $I_{MA}$  (13 mA at 0.2 MPa) with the reference pressure applied. It can be adjusted with the [ $\uparrow$ ] or [ $\downarrow$ ] buttons  $I_{MA}$ .
- C Use the [M] button to set the transmitter to mode 3. The "Current calculation formula for adjusting" can be used to calculate the current to be set for the desired full-scale value  $I_{ME}$  (16 mA at 1.4 MPa) with the reference pressure applied. It can be adjusted with the [ $\uparrow$ ] or [ $\downarrow$ ] buttons  $I_M$ .

**Note**

If the preset measuring limits are exceeded or fallen below by more than 20% during adjustment, the resulting current cannot be set above these limits.

With a marked elevation of the zero point, the full scale value must therefore previously be reduced such that it still lies within the permitted range after elevation of the zero point.

**See also**

Unit (Page 85)

### 6.5.3.2 Setting/adjusting the start of scale value

#### NOTICE

#### Inadvertent adjustment of parameters on devices without display or without visible display

Key lock is canceled if you press the [M] key for longer than 5 seconds, see chapter "Releasing key lock or function lock (Page 81)". In the case of a device without display or without a visible display, you could inadvertently change parameters.

- Always press the [M] key for less than 5 seconds.

### Setting/adjusting the start of scale value

#### Introduction

Set or adjust the start of scale value of the pressure transmitter in mode 2.

You can also adjust the start of scale value or the full scale value separately as well as adjust both these values one after the other.

#### Condition

You are familiar with the correct operation of the transmitter and the associated safety notes.

You have selected a reference pressure that corresponds to the start of scale value and is within the permissible tolerance range.

The transmitter is in "Pressure" measuring mode.

#### Setting start of scale value

To set the output current of the start of scale value to 4 mA, proceed as follows:

1. Create the reference pressure.
2. Set mode 2.
3. Set the start of scale value to 4 mA.
4. Save with the [M] button.

#### Adjusting start of scale value

If you do not set the output current but constantly adjust it, you need to calculate the currents to be adjusted mathematically.

To the adjust the output current of the start of scale value, proceed as follows:

1. Create the reference pressure.
2. Set mode 2.

3. Adjust the output current of the start of scale value to the calculated value.
4. Save with the [M] button.

### Setting the start-of-scale value without a display

You have a device without a display and wish to set the start of scale value.

To set the output current of the start of scale value to 4 mA, proceed as follows:

1. Create the reference pressure.
2. Press the [↑] and [↓] buttons simultaneously.

The device has set the start of scale value to 4 mA.

3. When you release the buttons, the device saves the adjusted value automatically.

### Adjusting the start-of-scale value without a display

You have a device without a display and wish to adjust rather than set the start of scale value.

You will need an ammeter for this purpose.

To adjust the output current of the start of scale value, proceed as follows:

1. Connect the ammeter to the test connector.
2. Create the reference pressure.
3. Adjust the output current of the start of scale value using the [↑] or [↓] button.
4. When you release the button, the device saves the adjusted value automatically.

## 6.5.3.3 Setting/adjusting the full scale value

### Introduction

Set or adjust the full scale value of the pressure transmitter in mode 3.

You can also adjust the start of scale value or the full scale value separately as well as adjust both these values one after the other.

### Condition

You are familiar with the correct operation of the transmitter and the associated safety notes.

You have selected a reference pressure that corresponds to the full scale value and is within the permissible tolerance range.

The transmitter is in "Pressure" measuring mode.

### **Setting full scale value**

To set the output current of the full scale value to 20 mA, proceed as follows:

1. Create the reference pressure.
2. Set mode 3.
3. Set the full scale value to 20 mA.
4. Save with the [M] button.

### **Adjusting full scale value**

If you do not set the output current but constantly adjust it, you need to calculate the currents to be adjusted mathematically.

To the adjust the output current of the full scale value, proceed as follows:

1. Create the reference pressure.
2. Set mode 3.
3. Adjust the output current of the full scale value to the calculated value.
4. Save with the [M] button.

### **Setting the full scale value without a display**

You have a device without a display and wish to set the full scale value.

To set the output current of the full scale value to 20 mA, proceed as follows:

1. Create the reference pressure.
2. Press and hold the [M] button.
3. Also press the [↑] and [↓] buttons simultaneously.

The device has set the full scale value to 20 mA.

4. When you release the buttons, the device saves the adjusted value automatically.

### **Adjusting the full scale value without a display**

You have a device without a display and wish to adjust rather than set the full scale value.

You will need an ammeter for this purpose.

To the adjust the output current of the full scale value, proceed as follows:

1. Connect the ammeter to the test connector.
2. Create the reference pressure.
3. Press and hold the [M] button.
4. Adjust the output current of the full scale value to the calculated value using the [↑] or [↓] button.
5. When you release the button, the device saves the adjusted value automatically.

## 6.5.4 Setting/adjusting electrical damping

### Difference between setting and adjusting

You can set or adjust the time constant of electrical damping using the buttons. Setting means that the time constant is automatically set to 0 seconds. Adjusting means that the time constant is adjusted between 0 and 100 seconds using the steps of 0.1 seconds. This electrical damping also has an effect on the built-in basic damping of the device.

### Condition for "setting"

You are familiar with the correct operation of the transmitter and the associated safety notes.

### Setting electrical damping

To set electrical damping to 0 seconds, proceed as follows:

1. Set mode 4.
2. Press the [↑] and [↓] buttons simultaneously.
3. Save with the [M] button.

### Result

Electrical damping has been set to 0 seconds.

### Condition for "adjusting"

The default setting of steps is an interval of 0.1 seconds. If you press the [↑] or [↓] button for a longer time, the step is increased.

### Adjusting electrical damping

To adjust electrical damping, proceed as follows:

1. Set mode 4.
2. Adjust the desired damping.
3. Save with the [M] button.

### Result

Electrical damping has been set to the desired time constant.

## 6.5.5 Blind start of scale value/full scale value

### 6.5.5.1 Difference between setting/adjusting and blind setting/adjusting

#### Differences

In contrast to setting/adjusting with a reference pressure, you do not need a reference pressure for blind setting/adjusting. You can adjust a value in the physical variable "pressure" without a reference pressure, and an output current with a reference pressure.

#### Blind adjusting

First select the desired physical unit. Then, adjust two pressure values using the [↑] and [↓] buttons and save them in the device. These theoretical pressure values are allocated to the standard current values 4 mA and 20 mA.

Depending on the series and measuring range, a maximum downscaling of 1:100 can be achieved (measuring span ratio = r, turn down).

The correlation between the measured pressure and the output current generated is linear. The square root extracting characteristic curve for differential pressure transmitters is an exception.

#### Example of blind adjusting

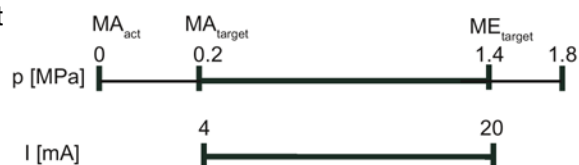
##### A Initial situation



##### B Blind adjustment of the start of scale value



##### C Blind adjustment of the full scale value



I	Output current	p	Pressure
MA <sub>actual</sub>	Old start of scale value	MA <sub>target</sub>	New start of scale value
ME <sub>actual</sub>	Old full scale value	ME <sub>target</sub>	New full scale value

Explanations for the blind adjusting example

- A The measuring range is from 0 to 1.6 MPa. You change the start-of-scale value from 0 to 0.2 MPa and the full-scale value from 1.6 MPa to 1.4 MPa. The span is then 1.2 MPa. In this example you create no pressure.
- B Use the [M] button to switch the transmitter to mode 5. To set the start-of-scale value to 0.2 MPa, press one of the [↑] or [↓] buttons until 0.2 MPa appears in the display. If the input pressure is 0.2 MPa, the transmitter generates an output current of 4 mA.
- C Use the [M] button to switch the transmitter to mode 6. To set the full-scale value to 1.4 MPa, press one of the [↑] or [↓] buttons until 1.4 MPa appears in the display. If the input pressure is 1.4 MPa, the transmitter generates an output current of 20 mA.

---

**Note**

If the preset measuring limits are exceeded or fallen below by more than 20% during adjustment, the resulting current cannot be set above these limits.

With a marked elevation of the zero point, the full scale value must therefore previously be reduced such that it still lies within the permitted range after elevation of the zero point.

---

**Setting without reference pressure**

Blind setting resets the start of scale value to the lower sensor limit and the full scale value to the upper sensor limit.

---

**Note**

If the value exceeds or falls below the preset measuring limits by more than 20% when setting, the setting function is not carried out. The old value is retained in this case.

With a marked elevation of the zero point, the full scale value must therefore previously be reduced such that it still lies within the permitted range after elevation of the zero point.

---



## 6.5.5.2 Blind setting of start of scale value

### Introduction

Blind setting resets the start of scale value to the lower sensor limit.

---

#### Note

Changes in modes 5 and 6 have an exclusive effect on pressure scaling. This does not affect the scaling for level or customized characteristic curve. Therefore, only measured pressure values and pressure units are displayed in these modes.

---

### Condition

You are familiar with the correct operation of the transmitter and the associated safety notes.  
You have not created any reference pressure and have selected a pressure unit.

### Procedure

To the set the start of scale value blindly, proceed as follows:

1. Set mode 5.
2. Press the [↑] and [↓] buttons simultaneously for 2 seconds.

## 6.5.5.3 Blind setting of full scale value

### Introduction

Blind setting resets the full scale value to the upper sensor limit.

---

#### Note

Changes in modes 5 and 6 have an exclusive effect on pressure scaling. This does not affect the scaling for level or customized characteristic curve. Therefore, only measured pressure values and pressure units are displayed in these modes.

---

### Condition

You are familiar with the correct operation of the transmitter and the associated safety notes.  
You have not created any reference pressure and have selected a pressure unit.

## Procedure

To the set the full scale value blindly, proceed as follows:

1. Set mode 6.
2. Press the [↑] and [↓] buttons simultaneously for 2 seconds.

### 6.5.5.4 Blind adjusting of the start of scale value

#### Introduction

In the case of blind adjustment, adjust the pressure value of the start of scale value continuously and without a reference pressure.

---

#### Note

Changes in modes 5 and 6 have an exclusive effect on pressure scaling. This does not affect the scaling for level or customized characteristic curve. Therefore, only measured pressure values and pressure units are displayed in these modes.

---

You can toggle between rising and falling characteristic curves.

#### Condition

You are familiar with the correct operation of the transmitter and the associated safety notes.  
You have not created any reference pressure and have selected a pressure unit.

#### Procedure

To the adjust the pressure value of the start of scale value blindly, proceed as follows:

1. Set mode 5.
2. Adjust the pressure value of the start of scale value.
3. Save with the [M] button.

### 6.5.5.5 Blind adjustment of the full scale value

#### Introduction

In the case of blind adjustment, adjust the pressure value of the full scale value continuously and without a reference pressure.

---

#### Note

Changes in modes 5 and 6 have an exclusive effect on pressure scaling. This does not affect the scaling for level or customized characteristic curve. Therefore, only measured pressure values and pressure units are displayed in these modes.

---

You can toggle between rising and falling characteristic curves by swapping the start of scale value and the full scale value.

#### Condition

You are familiar with the correct operation of the transmitter and the associated safety notes.  
You have not created any reference pressure and have selected a pressure unit.

#### Procedure

To the adjust the pressure value of the full scale value blindly, proceed as follows:

1. Set mode 6.
2. Adjust the pressure value of the full scale value.
3. Save with the [M] button.

### 6.5.6 Trimming the zero point

#### Introduction

The zero point is calibrated in mode 7. Zero point calibration corrects zero point errors resulting from the installation position of the pressure transmitter. The device type determines the way in which you proceed.

SIMATIC PDM or the HART communicator will display the total of all zero point corrections.

#### Condition

You are familiar with the correct operation of the transmitter and the associated safety notes.

### Zero point calibration for gauge pressure transmitter

To calibrate the zero point, proceed as follows:

1. Pressurize the transmitter.
2. Set mode 7.
3. Press the [ $\uparrow$ ] and [ $\downarrow$ ] keys simultaneously for 2 seconds.
4. Save with the [M] button.

## 6.5.7 Current simulator

### Introduction

In mode 8, switch the pressure transmitter into the constant current operation. You can connect an external current simulator in the constant current operation. The current then no longer corresponds to the process variable. The following output current can be adjusted irrespective of the input pressure:

- 3.6 mA
- 4.0 mA
- 12.0 mA
- 20.0 mA
- 22.8 mA

You can use HART communication to adjust intermediate values.

### Procedure

To switch on the constant current operation, proceed as follows:

1. Set mode 8.  
"Cur" in the display stands for current.
2. Press the [ $\uparrow$ ] and [ $\downarrow$ ] buttons simultaneously.
3. Select constant current.

### Switching off the constant current operation

To switch off the constant current operation, proceed as follows:

Press the [M] button in mode 8.

## 6.5.8 Output current in case of fault

### Introduction

When a fault occurs, the upper fault current is displayed in the basic setting. In mode 9, you can choose between the output of the upper and lower fault current. The standard values 3.6 mA and 22.8 mA are set.

The standard values of the upper and lower fault current can be changed via HART communication.

### Condition

You are familiar with the correct operation of the transmitter and the associated safety notes.

### Procedure

To change the fault current, proceed as follows:

1. Set mode 9.
2. Select the fault current.
3. Save using the [M] key.

---

#### Note

If a current saturation interrupt is active, the setting of the output current may deviate from your setting in the case of a fault.

---

### Resetting fault current

To reset the fault current to the basic setting, proceed as follows:

Press the [↑] and [↓] [M] keys simultaneously.

### Fault causes

Fault currents may be triggered by:

- FW alarm
- HW alarm
- Diagnostic interrupt
- Sensor breakage
- Measured value status BAD

**Reference**

NAMUR recommendation NE43 dated 02/03/2003  
 "Standardization of the signal level for the breakdown information of digital transmitters"

**6.5.9 Locking buttons and functions**

**Introduction**

In mode 10, you can disable the functions that can be executed using buttons. Application example for a lock is e.g. safeguarding the saved parameters.

**Lock options**

You have the following lock options on the pressure transmitter:

Table 6- 5 Meaning of lock modes in mode 10

Lock mode	Meaning
0	The device can be operated by means of the keys and HART communication.
LA	Keys on the transmitter are locked. Exception: <ul style="list-style-type: none"> <li>• Releasing key lock</li> </ul> The device can be operated by means of HART communication.
LO	Keys on the transmitter are partially locked. Exception: <ul style="list-style-type: none"> <li>• Setting start of scale value</li> <li>• Releasing key lock</li> </ul> The device can be operated by means of HART communication.
LS	Keys on the transmitter are partially locked. Exception: <ul style="list-style-type: none"> <li>• Setting start of scale value</li> <li>• Setting full scale value</li> <li>• Releasing key lock</li> </ul> The device can be operated by means of HART communication.
L	Write protection Operation via keys and HART communication is blocked. Exception: <ul style="list-style-type: none"> <li>• Releasing key lock</li> </ul>

---

**Note**

If you want to select the LO or LS lock, we recommend you first select the measured value display of "Current" in "mA" or "%" in mode 13. Otherwise, a change in the output variable using the [↑] and [↓] buttons is not detected.

If the blind cover is provided, the LS lock mode is effective, i.e. only the zero point and the span can be changed. If you continuously operate the device with the blind cover, ensure that the LS lock mode is constantly set.

---

**Requirement**

You are familiar with the correct operation of the transmitter and the associated safety notes.

---

**Note**

In the measured value display function, check whether the desired setting is displayed.

---

**Procedure**

To disable the buttons, proceed as follows:

1. Set mode 10.
2. Select the desired lock mode.
3. Confirm the lock mode with the [M] button.

**6.5.10 Releasing key lock or function lock****Releasing key lock** **WARNING**

In the case of devices used for safety-relevant applications, only authorized personnel may release the key lock, e.g. overflow protection.

To release a set key lock (LA, LO, LS) using buttons, proceed as follows:

Press the [M] button for 5 seconds.

**Releasing the write protection**

To release a write protection for HART (L) using buttons, proceed as follows:

Press the [M] button for 5 seconds.

## 6.5.11 Flow rate measurement (only differential pressure)

### Introduction

The characteristic curve representing the relationship between the output current and input pressure can be adjusted in mode 11. Adjust the root application point in mode 12.

You can select the following characteristic curve types of the output current in mode 11:

- linear "lin": proportional to differential pressure
- square root extracting "sroff": proportional to flow rate, deactivated up to the application point
- square root extracting "srlin": proportional to flow rate, linear up to the application point
- square root extracting "srli2": proportional to flow rate, two-step linear up to the application point

### Variable application point

The output current for the "srlin" and "sroff" functions can be displayed linearly or set to zero below the application point of the square root extracting characteristic curve.

### Fixed application point

The "srli2" function has a permanently defined application point of 10%. The range up to this point contains two linear characteristic curve sections. The first section ranges from the zero point to 0.6% of the output value and 0.6% of the pressure value. The second section has a higher gradient and it goes up to the root application point at 10% of the output value and 1% of the pressure value. See the following figure for this purpose.

### Procedure

Proceed as follows to set or adjust the type of characteristic curve:

1. Set mode 11.
2. Select the type of characteristic curve.  
To set the characteristic curve to "linear", press the [↑] and [↓] buttons simultaneously.
3. Save with the [M] button.



Proceed as follows to set or adjust the root application point: This procedure is not applicable for "srli2":

1. Set mode 12.
2. Select an application point between 5 and 15%.  
To set the application point to 10%, press the [ $\uparrow$ ] and [ $\downarrow$ ] buttons simultaneously.
3. Save with the [M] button.

---

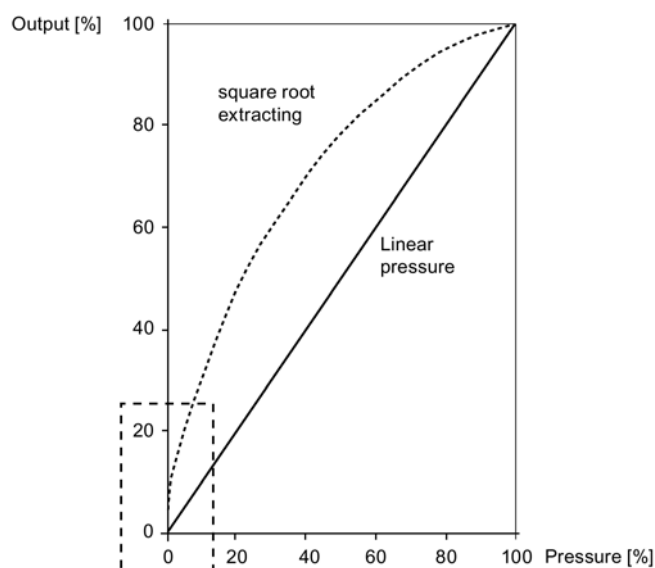
### Note

Mode 12 cannot be selected if the "linear" or "srli2" measuring mode has been adjusted in mode 11.

If the square root extracting characteristic curve has been adjusted in mode 11 and if the measured value display has been set to "Pressure" in mode 13, the root sign and the differential pressure corresponding to the flow rate are displayed.

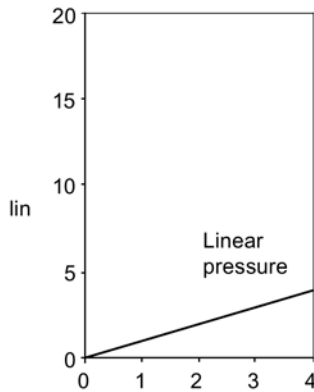
The root extraction function "srli2" is set in "flow rate" measuring mode. You therefore set the "characteristic curve" parameter in SIMATIC PDM to "linear".

---

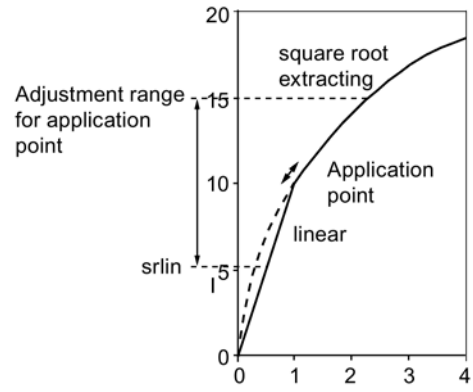


The dotted rectangle has been magnified in the form of the following characteristic curves in order to show the behavior of characteristic curves.

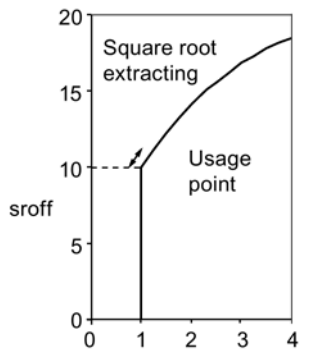
Characteristic curves and application point of square root extracting characteristic curves



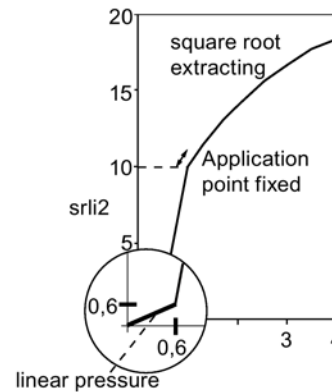
Characteristic curve "lin":



Square root extracting characteristic curve "srlin"



Characteristic curve "sroff"



Characteristic curve "srli2"

### 6.5.12 Measured value display

---

**Note**

To use the operating functions with the buttons, first set the device variable (DV) parameters with a host system such as SIMATIC PDM. You will find details of the relation between primary variable (PV) assignment and the DV in the following section:

Measuring mode "Pressure" (Page 91)

---

## Introduction

In mode 13, adjust the following types of measured value display:

- mA
- %
- Display of the PV selected via HART. (Default setting: P pressure)

Table 6- 6 Display of measuring mode/device variables

Display	DV	Meaning
P	0	Pressure
t-SE	1	Sensor temperature
t-EL	2	Electronics temperature
P-UNC	3	Pressure (untrimmed)
LEVEL	4	Level
Vol	5	Volume
MASS	6	Mass
V-Flo	7	Volumetric flow rate (not relevant for gauge or absolute pressure)
M-Flo	8	Mass flow rate (not relevant for gauge or absolute pressure)
CUSl	9	Users

## Condition

You are familiar with the correct operation of the transmitter and the associated safety notes.

## Procedure

To select the display type, proceed as follows:

1. Set mode 13.
2. Select the measured value display.
3. Save with the [M] button.

## See also

Measured value display (Page 109)

## 6.5.13 Unit

### Introduction

In mode 14, select the physical unit in which the measured value display of the device should be shown.

**Requirement**

You are familiar with the correct operation of the transmitter and the associated safety notes.  
 You have already selected the desired measured value display via HART.

**Procedure**

To adjust the physical unit, proceed as follows:

1. Set mode 14.
2. Select a unit.  
 Press the [↑] and [↓] buttons simultaneously to set the unit to the first value in the following table depending on the measuring mode set.
3. Save with the [M] button.

**Instructions for selecting the unit**

- Unit selection depends on the type of measurement set. For example, only pressure units are available in "Pressure" measuring mode and only level units are available in the "Level" measuring mode.
- The displayed measured value is always converted into the new unit. "9.9.9.9.9" appears on the display when its display capacity is exceeded.
- The selected unit is visible on the display in the measuring mode only if you have selected the display of a physical unit via HART. "mA" or "%" will be displayed if you have not selected mode 13, "Measuring mode".

**Units**

Table 6- 7 Units available for pressure

Pressure units	Display	Pressure units	Display
bar	bar	Psi	PSi
mbar	mbar	Pa	Pa
mm water column (20°C / 68°F)	mmH2O	KPa <sup>2</sup>	KPa
Inch water column (20°C / 68°F)	inH2O	MPa	MPa
Feet water column (20°C / 68°F)	FTH2O	g/cm2	Gcm2
mm mercury column	mmHG	Kg/cm2	KGcm2
Inch mercury column	in_HG	Torr	TORR
mm water column (4°C / 39 °F)	m4H2O	ATM	ATM
Inch water column (4°C / 39°F)	i4H2O		

Table 6- 8 Units available for level

Level unit	Display	Level unit	Display
Feet	FT	cm	cm
Inch	inch	mm	mm
M	m		

Table 6- 9 Units available for mass

Mass unit	Display	Mass unit	Display
Gram	G	Long ton	ITon
Kilogram	KG	Pound	lb
Ton	T	Ounce	OZ
Short ton	STon		

Table 6- 10 Units available for mass flow rate

Mass flow rate unit	Display	Mass flow rate unit	Display
g / s	G/S	Pound / s	P/S
g / min	G/m	Pound / min	lb/m
g / h	G/h	Pound / h	lb/h
Kg / s	KG/S	Pound / d	lb/d
Kg / min	KG/m	Short ton / min	ShT/m
Kg / h	KG/h	Short ton / h	ShT/h
Kg / d	KG/d	Short ton / d	ShT/d
T / min	T/m	Long ton / h	IT/h
T / h	T/h	Long ton / d	IT/d
T / d	T/d		

Table 6- 11 Units available for temperature

Temperature unit	Display	Temperature unit	Display
° Celsius	° / C	Kelvin	K
° Fahrenheit	° / F	Rankine	R

Table 6- 12 Units available for volume

Volume unit	Display	Volume unit	Display
M3	m3	Buschels	buShl
Liter	L	yard3	Yd3
Hectoliter	HL	Feet3	FT3
US gallon	Gal	inch3	in3
British gallon	in Gal	Standard l	STdL
British barrel	bbl	Standard m3	STdm3
British barrel liquid	bblli	Standard feet3	STFT3

Table 6- 13 Units available for volumetric flow

Unit of volumetric flow	Display	Unit of volumetric flow	Display
m3 / second	m3/S	Gallon / hour	Gal/h
m3 / minute	m3/m	Gallon / day	Gal/d
m3 / hour	m3/H	Million gallon / day	MGI/D
m3 / day	m3/d	British gallons/second	iGI/S
Liter / second	L/S	British gallons/minute	iGI/m
Liters/minute	L/m	British gallons/hour	iGI/h
Liters/hour	L/h	British gallons/day	iGL/d
Million liter / day	mL/d	Standard m3 / hour	Sm3/h
Feet3 / second	FT3/S	Standard l / hour	STL/h
Feet3 / minute	FT3/m	Standard feet3 / minute	SFT3m
Feet3 / hour	FT3/h	British barrel liquid / second	bbl/S
Feet3 / day	FT3/d	British barrel liquid / minute	bbl/m
Gallon / second	Gal/S	British barrel liquid / hour	bbl/h
Gallons/minute	Gal/m	British barrel liquid / day	bbl/d

**See also**

Selection of the physical unit (Page 110)

# Operating functions through HART

## 7.1 Operating functions through HART communication

### Condition

You can operate the transmitter through HART communication. The following is required for this purpose:

- A HART communicator or PC software such as SIMATIC PDM.
- A HART modem to connect a PC with the transmitter or a lead to connect a HART communicator with the transmitter.

### Introduction

The full functionality of the transmitter is available via HART communication. The HART communicator and PC software are not supplied with the transmitter. How to connect and operate a HART communicator or the PC software is described in separate operating instructions or in the online help for both these tools.

### Fundamental description

The input signal is provided in the form of digital information in the following variables through HART communication:

- Pressure
- Level
- Volume
- Mass
- Volumetric flow
- Mass flow rate
- User programmable "characteristic curve"

As soon as you have set up the HART communication and the transmitter, you can adapt the transmitter to your relevant measuring task. When doing so you are assisted by the selectable measuring modes "Pressure", "Level", "Flow rate" and a user programmable "Characteristic curve". One or more device variables are permanently allocated to each measuring mode in order to execute corresponding measuring tasks.

### See also

Overview of operation (Page 55)

## 7.2 Process tag data

You can store your process tag data in user definable fields. The following table contains information about the structure of these fields and the format in which you can enter information in these fields:

Table 7- 1 Process tag data

Field	Explanations
Tag designation	Eight characters
Date	Day:Month:Year
Description	16 characters
Message	32 characters
Works number	Integer number
Tag designation long	32 characters
Freely definable material parameter	21 x 16 characters

## 7.3 Selecting the measuring modes

### 7.3.1 Overview of measuring modes

#### Overview

The transmitter can be set for the corresponding measuring task using a few parameters. You can select the following measuring modes:

- Pressure
- Level
- Flow rate
- Users: user programmable characteristic curve

You can use the measuring mode selector to activate measuring modes "Level", "Flow rate" and "User".

#### Selecting the device variables

One or more device variables are permanently allocated to each measuring mode. The following device variables are always active and are therefore always displayed:

- Pressure
- Sensor temperature
- Electronics temperature
- Pressure (untrimmed)



The following device variables are activated only when the allocated measuring mode is activated and parameterized simultaneously:

- "Level", "Volume" and "Mass" are allocated to the "Level" measuring mode.
- "Volumetric flow" and "Mass flow rate" are classified as "Flow rate" measuring mode.
- "User" is allocated to the "User" measuring mode.

The inactive device variables have the CONSTANT status.

### 7.3.2 Measuring mode selector

You can use this switch to toggle between measuring modes "Pressure", "Level", "Flow rate" and a characteristic curve programmable by a "User".

If a measuring mode has been selected using the measuring mode selector, it has to be configured. This does not mean that this block has an automatic effect on the current output (4 to 20 mA). For that, you need to switch the corresponding device variable to the primary variable (PV) using a so-called variable mapper.

### 7.3.3 Variable mapper

#### Introduction

In this transmitter, the dynamic variable that determines the behavior of current output is always called the primary variable (PV). You need to use the variable mapper for a number of purposes, including selecting which device variable is to be switched to PV. The variable selected as PV using a PC program such as SIMATIC PDM or using the HART Communicator is scaled once again in the analog output stage to a zero value and a limit value. These two values then correspond to the current values 4 and 20 mA.

As soon as the PV is switched over using the variable mapper, the start of scale value and full scale value in the analog output stage are preset to the limit values of the new device variables. You can define these limit values within the individual block functions.

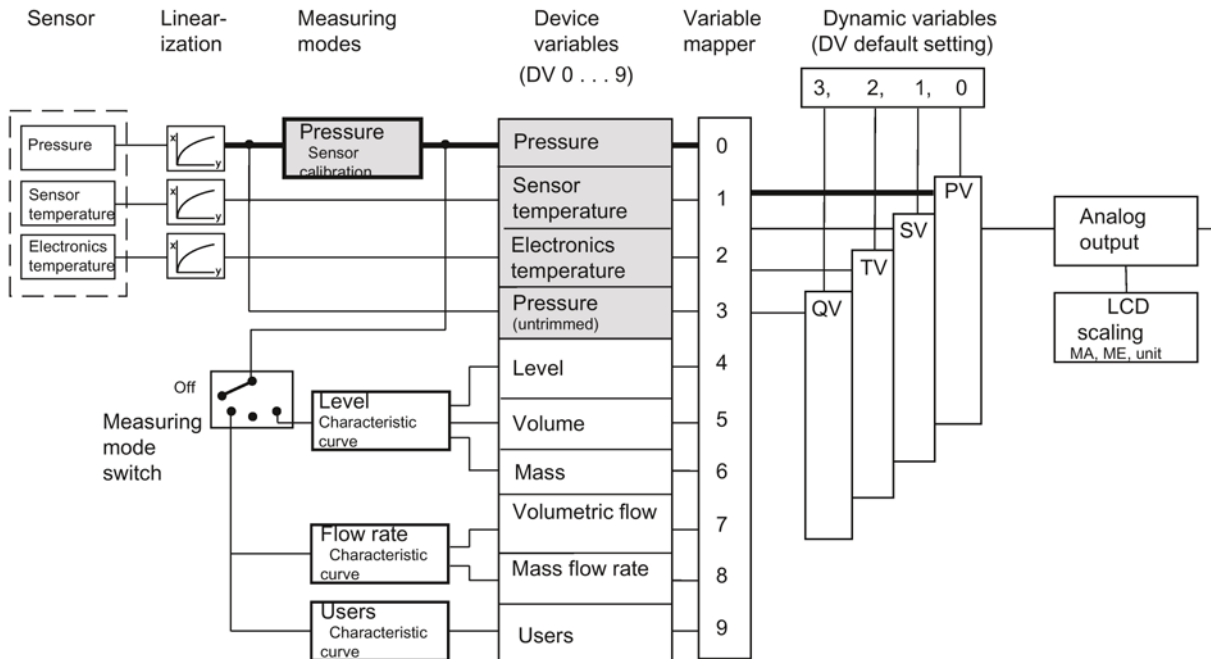
The dynamic variables "Primary", "Secondary", "Tertiary" and "Quarternary" (PV, SV, TV, QV) can be interconnected with any active device variables. Various measuring mode examples are conceivable with a 400 kPa pressure transmitter.

### 7.3.4 Measuring mode "Pressure"

The "Pressure" measuring mode contains the "Sensor trim" function, and is always active since it is the standard measuring mode. When the measuring mode selector is set to "Off", no other measuring variables are derived from the "Pressure" measured variable. Except the first four variables, all other device variables are marked as inactive and have the CONSTANT status. These four variables are mapped with dynamic variables PV, SV, TV and QV by default.

7.3 Selecting the measuring modes

Switching an inactive device variable to the primary variable (PV) generates an error message since the variable currently does not have a valid measured value. This message is displayed in SIMATIC PDM or the HART communicator.



- DV Device variable
- MA Start of scale value
- ME Full scale value
- PV Primary variable
- QV Quarternary variable
- SV Secondary variable
- TV Tertiary variable

Figure 7-1 Measuring mode "Pressure"

### 7.3.5 Customized characteristic curve

#### Introduction

The customized "characteristic curve" is continuously active as an identical function in the three following measuring modes "Level", "Flow rate" and "User". This means that the customized "characteristic curve" always provides a result for the following function, thus also influencing the measured value status of the affected device variables.

In the device, the characteristic curve vertices are only provided once in the EEPROM. Therefore, if the measuring mode is changed, you will usually need to adjust the characteristic curve accordingly.

The characteristic curve function expects at least two and at the most 30 characteristic curve vertices as input parameters. Characteristic curve vertices are entered in pairs of values

x %;y %. The values for the x-coordinate are only accepted by the device when they run monotonically. The y-coordinates, on the other hand, may also be non-monotonic. A warning will however be issued by the configuring device, which you as the user have to recognize and acknowledge. The output of the characteristic curve is not explicitly stored in a device variable, but rather is directly interconnected with the input of the next function block in each case. The pairs of values 0%;0% and 100%;100% are set as default values. In principle, rising and falling characteristic curves can be configured. With regard to the device variable status, rising characteristic curves are however preferred. Otherwise the meanings of HIGH LIMIT and LOW LIMIT are swapped.

**See also**

Measured value status (Page 99)

**7.3.6 Measuring mode "Level"**

**Description**

Once you have configured the measuring mode "Level", the device variables "Level", "Volume" and "Mass" are activated. They are all inferred from the measured pressure. The "Level" block here represents a series of permanently interconnected functions which you need to configure with appropriate parameters. Only then will you be given a meaningful measured value for the three device variables.

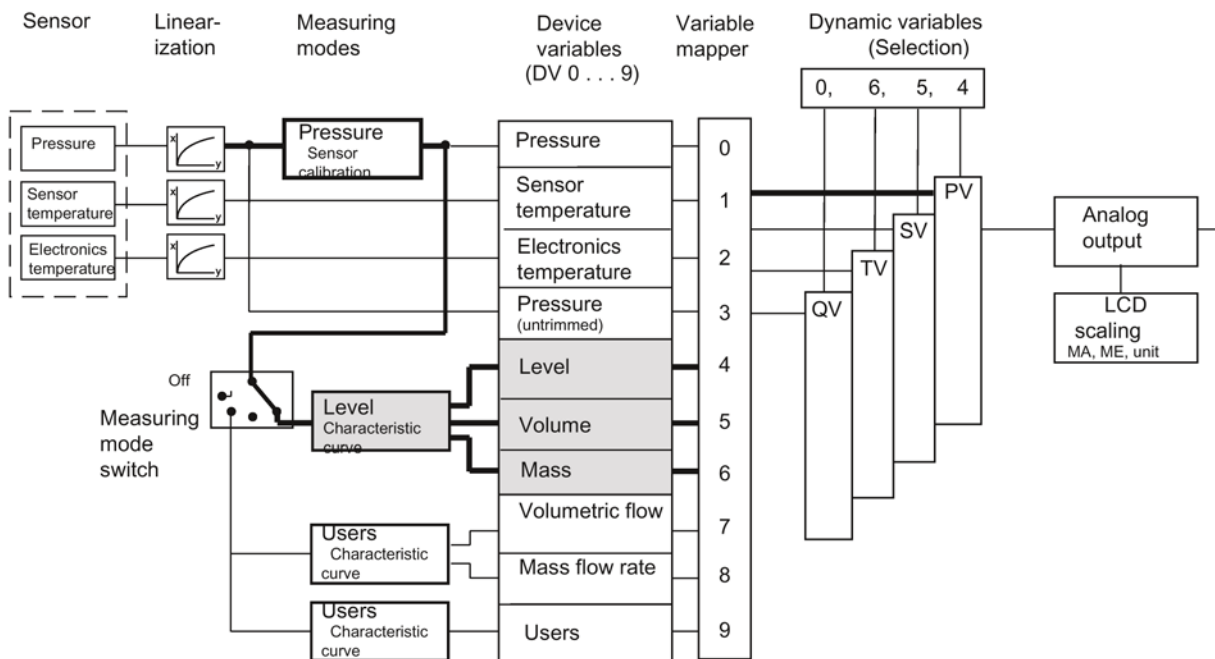


Figure 7-2 Measuring mode "Level"

DV	Device variable
MA	Start of scale value
ME	Full scale value

### Functions of the "Level" block

The first function, "Input scaling, pressure", sets the pressure range used by the following functions in all three blocks in the same way. Ideally, this range corresponds to the sensor limits of the transmitter. In the following calculation examples, 0 and 400 kPa are assumed for these sensor limits for all blocks. You can also set down-scaling, e.g. 1:2. This down-scaling of 1:2 corresponds to 50% of the nominal measuring range, i.e. in this case 200 kPa, which then controls 100% of the following characteristic.

Use the "Output scaling, level" to set the measuring limits for the measuring mode "Level" with a unit from the level range. Parameter settings in this example are 10 and 20 m. 10 m is displayed in DV4 at a process pressure of 0 kPa, and 20 m at 200 kPa. The values for the start of scale value and the full scale value, which are effective for the analog output, are configured in the "analog output" block.

In the calculation example, the two pairs of values 0%;0% and 100%;100% are configured for the customized "characteristic curve". This is the default setting. The measured value from the pressure scaling is transferred 1:1 in this example.

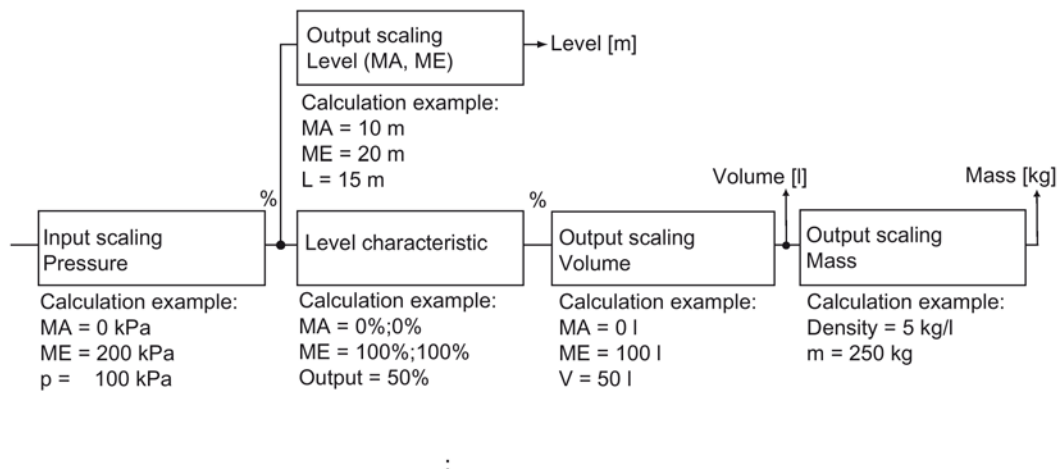


Figure 7-3 Functions of the "Level" block

DV [x]	Device variable x
L	Level
m	Mass
MA	Start of scale value
ME	Full scale value
P	Pressure
V	Volume

Configure the "Output scaling, volume" with a unit from the volume range and the measuring limits for the device variable "Volume". The characteristic curve output directly affects the volume scaling input.

In the calculation example with measuring limits of 0 and 100 l, a volume of 50 l is indicated for a process pressure of 100 kPa.

The "Level" parameter setting also still automatically activates the device variable for the mass. If you have not yet configured a value for the density, the initial value of 1 kg/l is preset. In the calculation example for the "Mass" device variable, a mass of 250 kg is derived at a density of 5 kg/l.

---

**Note**

When the density changes, the measuring range limits have to be adjusted accordingly.

---

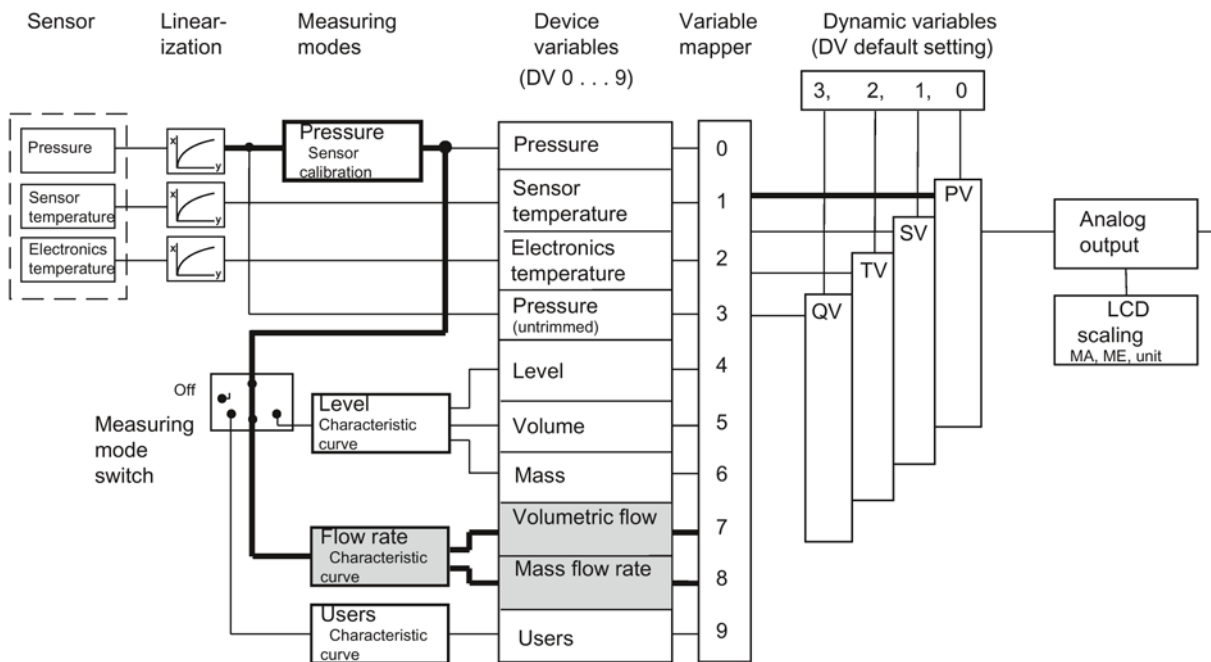
You can configure all parameter settings for the "Level" block in SIMATIC PDM or the HART communicator. Activate the "Level" measuring mode for this purpose. For all settings, the measuring limits may be exceeded by +/-20%. Values which lie above or below that will be rejected by the device.

### 7.3.7 Measuring mode "Flow rate"

#### Description

When you activate the "Flow rate" measuring mode, only two other device variables are active: volumetric flow and mass flow rate. If another block was active earlier, the corresponding device variables remain inactive and have the "CONSTANT" status. The "Flow rate" block here represents a series of permanently interconnected functions which you need to configure with appropriate parameters.

7.3 Selecting the measuring modes



DV Device variable  
 MA Start of scale value  
 ME Full scale value

Figure 7-4 Measuring mode "Flow rate"

**Functions of the "Flow rate" block**

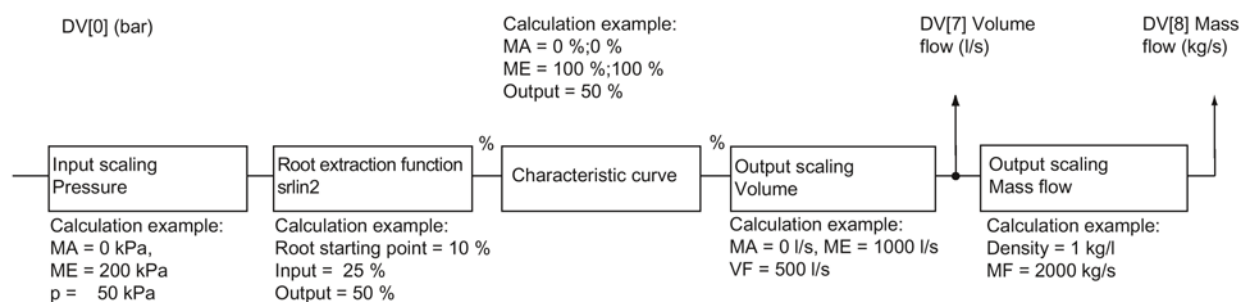
The "Input scaling, pressure" function defines the pressure range of 0 to 200 kPa that is interpreted as 0 and 100% by the following square root extracting function. In the following diagram, a process pressure of 50 kPa is assumed.

In the "Flow rate" measuring mode, a square root extracting characteristic curve "srlin2" is plotted with a fixed root application point of 10%.

In the calculation example, the input value for the "square root extracting function" is approximately 25% at a process pressure of 50 kPa. The output value is approximately 50%.

**Note**

When using the "Flow rate" block, other square root extracting characteristic curves must be deactivated if required. (The "characteristic curve" parameter must be "linear", as root extraction is already implemented in "flow rate" measuring mode).



DV [x]	Device variable x	MF	Mass flow rate
MA	Start of scale value	p	Pressure
ME	Full scale value	VF	Volumetric flow

Figure 7-5 Functions of the "Flow rate" block

In the calculation example, the two pairs of values 0%;0% and 100%;100% are configured for the customized "characteristic curve". This setting corresponds to a bisection of the input value for all output values.

Configure the output scaling "volumetric flow" with a unit from the volume flow range and the measuring limits for the device variable "Volumetric flow". In the calculation example, 0 l/s and 1000 l/s are defined as lower and upper measuring limits. The volumetric flow rate is 500 l/s at a prevailing process pressure of 50 kPa.

The "Mass flow rate" device variable is automatically activated when the "Flow rate" block is configured. If you have not yet configured a value for the density, the initial value of 1 kg/l is preset.

In the calculation example, a mass of 2000 kg/s is derived for the "mass flow rate" device variable at a value of 1 kg/l. The density value entered is only used to calculate the mass flow rate. The entered value of density has no effect on the diaphragm calculation that is to be carried out by the user.

In SIMATIC PDM or the HART communicator, the "Flow rate" block is configured in an online dialog box in an extremely compact manner. In this online dialog box, you can compile all values in a menu and transfer them to the device collectively.

### 7.3.8 Measuring mode "User"

#### Description

The "User" measuring mode is the simplest of the measuring modes that you can select with the measuring mode selector. Only one further device variable, "User", is activated in this measuring mode in addition to the four standard device variables. The variables "Level", "Volume", "Mass", "Volumetric flow" and "Mass flow rate" are marked as inactive and are given the status CONSTANT.

In the "User" measuring mode, you have an option to define a customized unit for output scaling. This customized unit is, e.g. a specific quantity of liquid. This quantity of liquid depends on the input process pressure.

7.3 Selecting the measuring modes

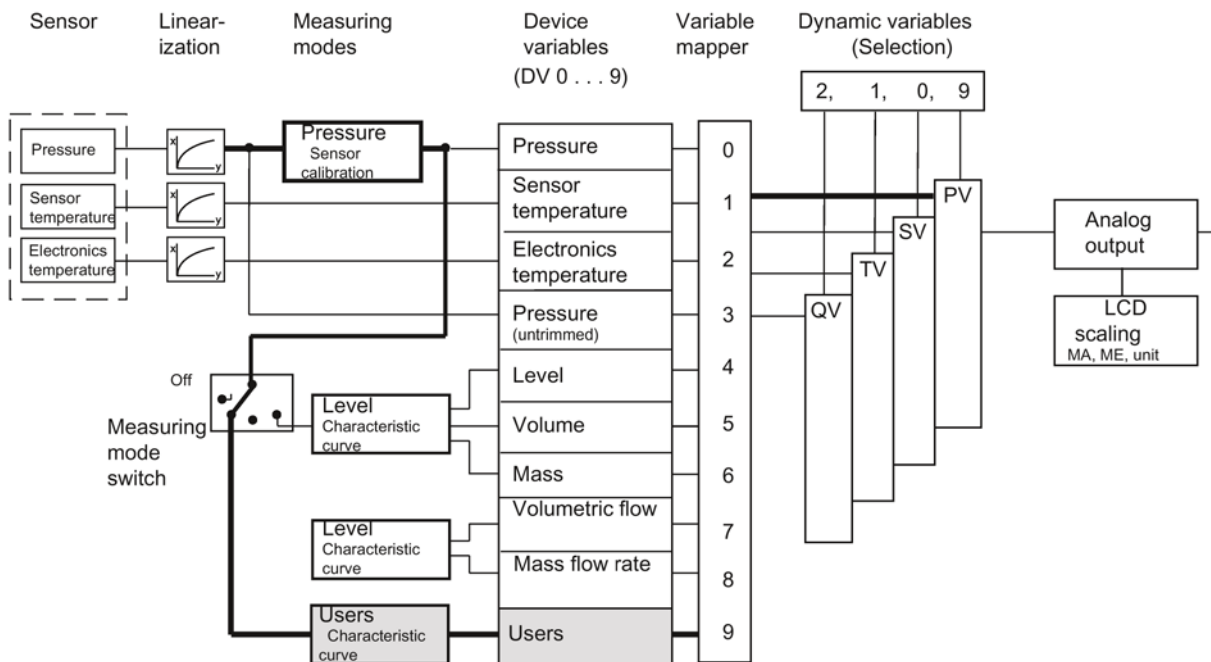
Example: Fill the beverages in cans having a capacity of 0.33 l. You can now define a customized unit "Can" that is exactly equal to 0.33 l. The quantity of "cans" depends on the input process pressure.

**Note**

**Permissible input values**

All alphabetic a...z, A...Z and numeric 0...9 inputs are allowed for the customized unit. The following characters are also allowed:

° " \$ / < > \* , \_ + - = @



- DV Device variable
- PV Primary variable
- SV Secondary variable
- TV Tertiary variable
- QV Quarternary variable
- MA Start of scale value
- ME Full scale value

Figure 7-6 Measuring mode "User"



**Functions of the "User" block**

The first function, "Input scaling, pressure", defines the pressure range which is used by the customized characteristic curve. Ideally, this range corresponds to the sensor limits. In the calculation example, 0 and 200 kPa are assumed. This means that with a process pressure of 50 kPa, there is a value of 25% on the characteristic curve.

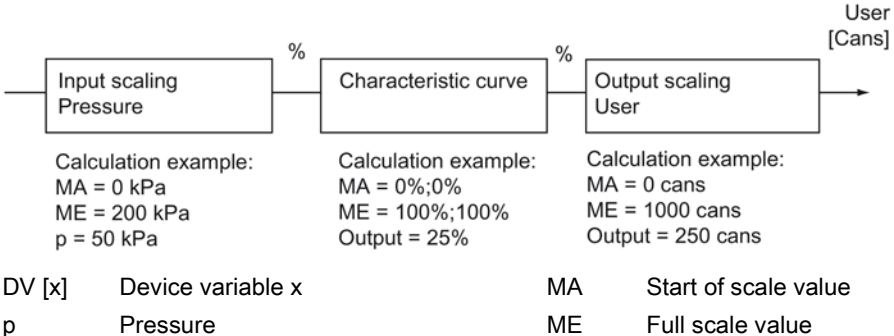


Figure 7-7 Functions of the "User" block

In the calculation example, the two pairs of values 0%;0% and 100%;100% are configured for the customized "characteristic curve". Any curve shapes can be calculated with the help of 30 characteristic curve vertices. These curve shapes can be stored in the device using SIMATIC PDM or the HART communicator.

In the calculation example, the value at the input of the characteristic curve is transferred 1:1 to the output.

In the calculation example, a number of filled cans is set for the output scaling. You can enter up to five characters for any given unit. Do not confuse this with the user-programmable display unit of the "Analog output" block.

In the calculation example, you have a start-of-scale value of 0 cans and a full-scale value of 1000 cans. At a process pressure of 50 kPa, you get a value of 250 cans for the "User" device variable.

**7.3.9 Measured value status**

**Introduction**

Every device variable is assigned a status byte to indicate the quality of the measured values. This status byte can have the following values:

- BAD
- GOOD
- MANUAL
- UNCERTAIN

The following values are also possible:

- CONSTANT
- HIGH LIMIT
- LOW LIMIT

A higher-level diagnosis program can display and analyze these states.

### **GOOD status**

During smooth, uninterrupted operation, the measured value status of all active device variables is GOOD.

### **BAD/CONSTANT status**

All inactive device variables have CONSTANT/BAD status.

If a variable having the BAD status is an output value for calculation, the measured value is BAD.

The basic measured values, namely pressure and temperatures, have the BAD status in the following cases:

- The analog-to-digital converter does not function.
- Linearization values in the EEPROM are defective.
- If the two end points of the customized characteristic curve are exceeded for the status of the device variables of the following function.

### **UNCERTAIN status**

If a pressure value exceeds or falls below the sensor limits of the device by more than 20%, the corresponding measured value and the variables inferred from it are UNCERTAIN.

If the analog-to-digital converter for pressure control is over/underrange, the status is UNCERTAIN.

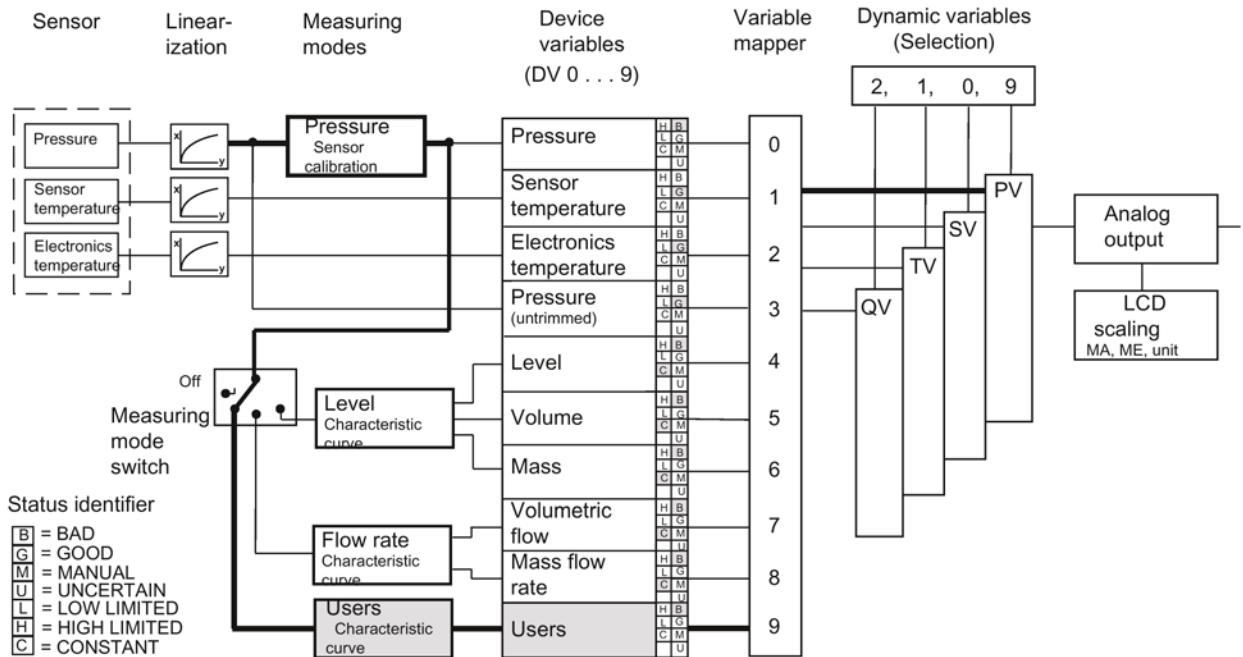
### **HIGH LIMIT and LOW LIMIT**

If the analog-to-digital converter is overrange, the HIGH LIMIT label is allocated. If the analog-to-digital converter is underrange, the LOW LIMIT label is allocated.

### **Change in status**

If the status of a device variable changes and it was right at the front of the sequence of operations for a block, e.g. pressure, then all variables that are derived from it will take on the same status. In the following example, the device variable "Pressure" has the BAD status. Since the measuring mode selector is set to "USER", the device variable "User" is also given the BAD status.

The reasons for changes in the status of a device variable are summarized in the table. If there were several reasons for a change in status, MANUAL always has the highest priority. BAD has the second highest and UNCERTAIN the third highest priority.



- DV Device variable
- PV Primary variable
- SV Secondary variable
- TV Tertiary variable
- QV Quarternary variable
- MA Start-of-scale value
- ME Full-scale value

Figure 7-8 Device status dependency

Table 7-2 Events which result in a change of status

DV	Measuring mode	BAD	MANUAL	UNCERTAIN	CONSTANT	HIGH LIMIT	LOW LIMIT
0	Pressure	DV3 = BAD, fault in linearization	When DV0 is simulated	DV3 = UNCERTAIN	-	DV3 = HIGH LIMIT	DV3 = LOW LIMIT
1	Sensor temperature	DV2 = BAD, analog-to-digital converter in over/underrange, fault in linearization	When DV1 is simulated	DV1 more than 20% outside the sensor limits DV2 = UNCERTAIN DV2 = MANUAL	-	Analog-to-digital converter in overrange	Analog-to-digital converter in under-range

7.3 Selecting the measuring modes

DV	Measuring mode	BAD	MANUAL	UNCERTAIN	CONSTANT	HIGH LIMIT	LOW LIMIT
2	Electronics temperature	Analog-to-digital converter in over/underrange, fault in linearization	When DV2 is simulated	DV2 more than 20% outside the sensor limits	-	Analog-to-digital converter in overrange	Analog-to-digital converter in under-range
3	Pressure (untrimmed)	Analog-to-digital converter in over/underrange, DV1 sensor breakage, DV2 = BAD, fault in linearization	-	Analog-to-digital converter in overrange/underrange, DV3 more than 20% outside the sensor limits DV2 = MANUAL	-	Analog-to-digital converter in overrange	Analog-to-digital converter in under-range
4	Level	If DV0 = BAD	When DV0 is simulated	DV0= UNCERTAIN	DV not active	DV0 = HIGH LIMIT	DV0 = LOW LIMIT
5	Volume	DV0 = BAD, Characteristic curve is faulty	When DV0 is simulated	DV0 = UNCERTAIN, input value is outside the specified characteristic curve range	Characteristic curve is faulty DV not active	DV4 = HIGH LIMIT, Characteristic curve for maximum value with gradient 0	DV4 = LOW LIMIT, Characteristic curve for minimum value with gradient 0
6	Mass	DV5 = BAD	When DV0 is simulated	DV5= UNCERTAIN	DV not active, DV5 = CONSTANT	DV5 = HIGH LIMIT	DV5 = LOW LIMIT
7	Volumetric flow (not absolute and gauge pressure)	DV0 = BAD, characteristic curve is faulty	When DV0 is simulated	DV0 = UNCERTAIN, input value is outside the specified characteristic curve range	Characteristic curve is faulty, DV not active	DV4 = HIGH LIMIT, Characteristic curve for maximum value with gradient 0	DV4 = LOW LIMIT, Characteristic curve for minimum value with gradient 0
8	Mass flow rate (not absolute and gauge pressure)	DV5 = BAD	When DV0 is simulated	DV5= UNCERTAIN	DV not active DV5 = CONSTANT	DV5 = #HIGH LIMIT	DV5 = LOW LIMIT
9	Users	DV0 = BAD, Characteristic curve is faulty	When DV0 is simulated	DV0 = UNCERTAIN, input value is outside the specified characteristic curve range	Characteristic curve is faulty DV not active	DV0 = HIGH LIMIT, Characteristic curve for maximum value with gradient 0	DV0 = LOW LIMIT, Characteristic curve for minimum value with gradient 0

If you use falling characteristic curves in the blocks, the meanings of HIGH LIMIT and LOW LIMIT are swapped around.

If you mix falling and rising characteristic curves, the meanings will be swapped each time a falling characteristic curve is run.

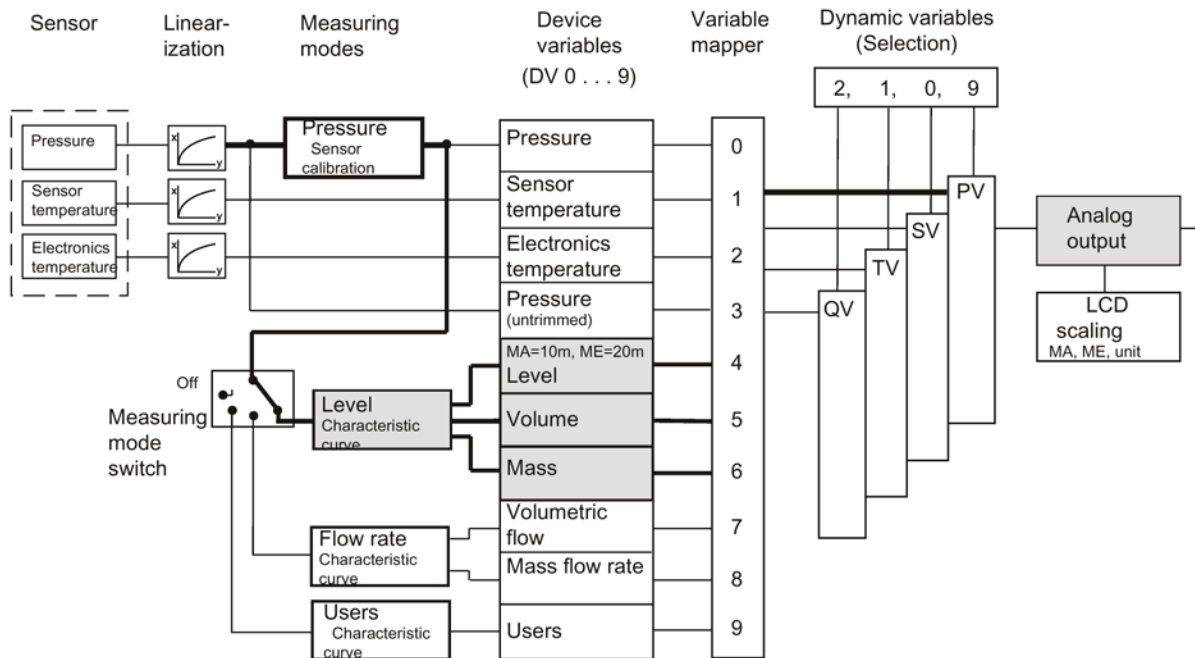
### 7.3.10 Analog output

#### Introduction

The "Analog output" block converts the value provided by the dynamic primary variable (PV) into a current value of 4 to 20 mA. When you actuate the measuring mode selector, you automatically define the start of scale value and the full scale value to the current values 4 and 20 mA, respectively. Limit values of corresponding device variables are used for scaling the analog output by default. You have entered these limits when setting the parameters of your measuring mode.

#### Example for measuring mode "Level"

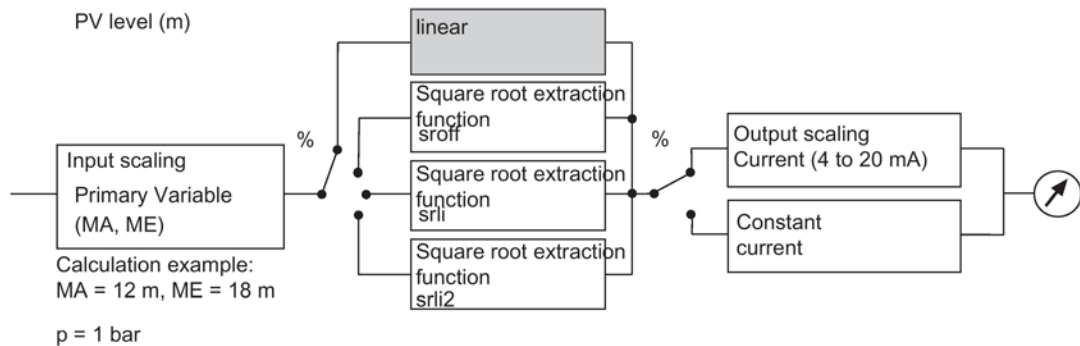
This means that for a "Level" device variable as PV, 10 m corresponds to the value for 4 mA and 20 m corresponds to the value for 20 mA. You can change this presetting again in the "Analog output" block. This is done by restricting the range of the "Level" device variable for scaling the output current to e.g. 12 to 18 m. This downscaling has no effect on the previous block scaling. In this case, a current of 4 mA is output for a measured height of 12 m, and a current of 20 mA for 18 m.



- |    |                      |    |                      |
|----|----------------------|----|----------------------|
| DV | Device variable      | MA | Start of scale value |
| PV | Primary variable     | ME | Full scale value     |
| SV | Secondary variable   |    |                      |
| TV | Tertiary variable    |    |                      |
| QV | Quarternary variable |    |                      |

Figure 7-9 "Analog output" scaling

### Description of measuring mode "Level"



MA	Start of scale value	p	Pressure
ME	Full scale value	PV	Primary variable

Figure 7-10 "Analog output" block

#### Note

If, when setting the analog output, the values for the start of scale value zero and the full scale value are more than 20% below or above the limit values of the set PV (set using the variable mapper), the values will be rejected by the device. The values configured previously are retained. Similarly, the span must not fall below the minimum.

$$\text{Minimum span} = \text{ME} - \text{MA}$$

The square root extracting function can only be selected in the "Pressure" measuring mode.

The root extraction function "srl2" is set in "flow rate" measuring mode. You therefore set the "characteristic curve" parameter in SIMATIC PDM to "linear".

### 7.3.11 Scaling the display value

#### Introduction

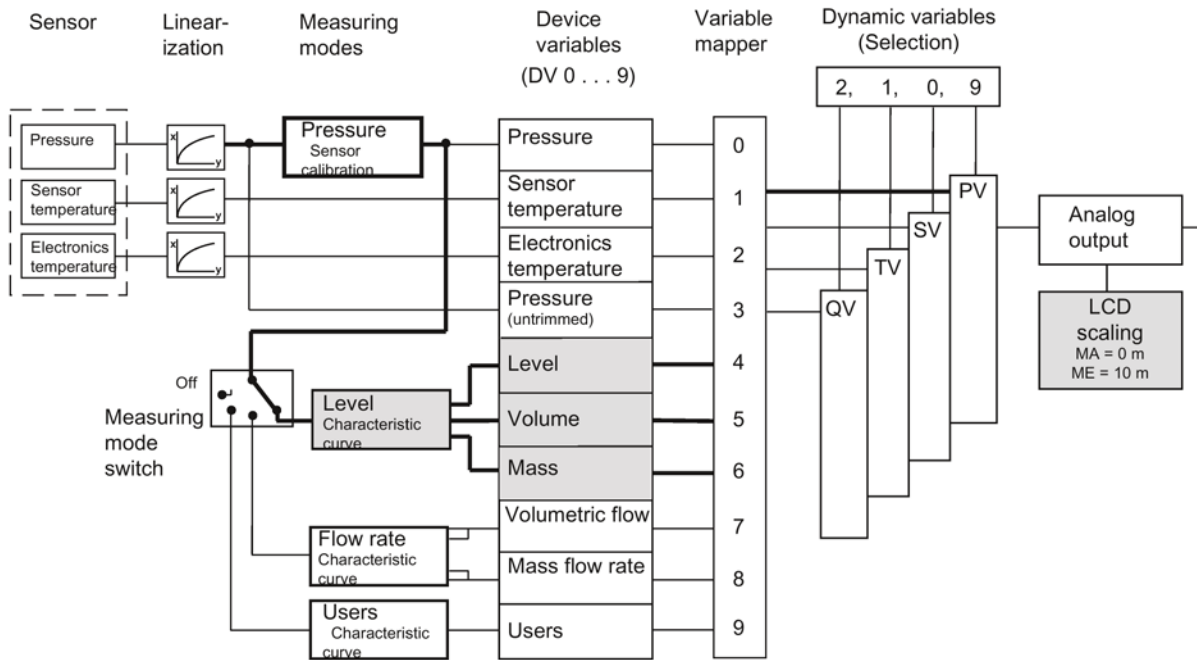
You can scale the value shown in the display as you wish and allocate it any unit of 5 characters. The scaling of the value is independent of the selection of the measuring mode selector, the primary variable (PV) and the display unit defined. Use the "Display settings" item in SIMATIC PDM or the HART communicator for this purpose.

The percent value of the PV is the basis for this scaling. This percent value is also used to scale the current output. In SIMATIC PDM, this item is referred to as "Setting the PV output scaling". After selecting the "Display settings" menu item, you must enter a start-of-scale value, a full-scale value and a unit string.

This display option has the highest priority amongst all options. A switch over to %, mA or any other unit is not possible in this status. You need to deactivate the LCD scaling again for this purpose.

### Example

In the Level measuring mode, the start of scale value is assumed as 0 m and the full scale value as 10 m in the example illustrated in the following picture. (Input scaling: 0 to 200 kPa)  
The value of 2 m is displayed at a process pressure of 40 kPa.



- DV Device variable
- PV Primary variable
- SV Secondary variable
- TV Tertiary variable
- QV Quarternary variable
- MA Start of scale value
- ME Full scale value

Figure 7-11 Free LCD scaling

## 7.4 Setting zero point and limit point

You can set the zero point and the limit point using the SIMATIC PDM or HART Communicator. You can use this function to realize rising or falling characteristic curves.

The pressure unit can be set separately for the display and for HART communication.

### See also

Difference between setting and adjusting (Page 65)

## 7.5 Blind setting of zero point and limit point

- The start of scale value and the full scale value can be set without creating a reference pressure.
- Both values can be selected as any point within the sensor limits.
- The maximum downscaling is 1:100, depending on the series and the measuring range.
- You can use this function to realize rising and falling characteristic curves.

## 7.6 Zero point calibration (position correction)

### Description

A zero point calibration is used to correct a zero point error resulting from the installation position.

### Procedure

- For this purpose, bleed the device.
- Perform the zero point calibration using SIMATIC PDM or the HART Communicator.

---

#### Note

The effective measuring range is reduced by the amount of the upstream pressure.

Example:

With an upstream pressure of 10 kPa, the effective measuring range of a 100-kPa transmitter is reduced to 0 to 90 kPa.

---

## 7.7 Electrical damping

### Description

You can set the time constant of electrical damping to a point within a range from 0 to 100 s. It always applies to the "Pressure" device variable (DV0) and thus to the measured values derived from it.



## 7.8 Fast response mode

### Description

This mode is only intended for special applications such as fast recognition of jumps in pressure, e.g. pressure drop in the event of pipe breakage. The internal recording of measured values is sped up at the cost of accuracy. From your point of view, an increased low-frequency noise is caused for the measured value. For this reason, good accuracy can only be achieved by setting the measuring span to the maximum.

## 7.9 Current sensor

### Description

The transmitter can be switched to constant current operation for test purposes. In that case, the current no longer corresponds to the process variable. A "C" will appear in the mode display of the display.

## 7.10 Fault current

### Description

You can use this function to set the size of the lower (< 4 mA) and upper (> 20 mA) fault current. Both signal a hardware/firmware fault, sensor breakage, or that the alarm limit has been reached (diagnostic interrupt). ERROR will in this case appear in the display. You can obtain a detailed guide to the display using SIMATIC PDM or the HART Communicator.

### Reference

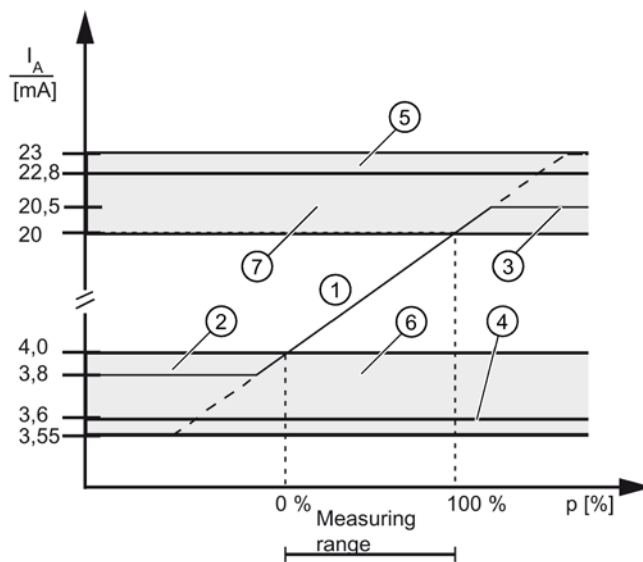
NAMUR recommendation NE43 dated 03.02.2003  
"Standardization of the signal level for the breakdown information of digital transmitters"

## 7.11 Setting the current limits

### Description

The level of the upper and lower fault current and the high and low saturation limits can be freely selected within the preset limits of the current output signal.

The specified accuracy of the current output signal is only valid within the current limits 4 to 20 mA.



- ① Linear control range
- ② Low saturation limit (default value)
- ③ High saturation limit (default value)
- ④ Lower fault current value (default value)
- ⑤ Upper fault current value (default value)
- ⑥ Recommended setting range for lower fault current range and lower control range limit
- ⑦ Recommended setting range for upper fault current range and upper control range limit

Figure 7-12 Current limits

## 7.12 Key lock and write protection

### Introduction

You can use this function to lock the keys or activate write protection to safeguard the saved parameters.

### Lock options

You have the following lock options:

Table 7-3 Meaning of the HART lock modes

Lock mode	Meaning
0	The device can be operated by means of the keys and HART communication.
LA	Keys on the transmitter are locked. Exception: <ul style="list-style-type: none"> <li>• Releasing key lock</li> </ul> The device can be operated by means of HART communication.

Lock mode	Meaning
LO	Keys on the transmitter are partially locked. Exception: <ul style="list-style-type: none"> <li>Setting start of scale value</li> <li>Releasing key lock</li> </ul> The device can be operated by means of HART communication.
LS	Keys on the transmitter are partially locked. Exception: <ul style="list-style-type: none"> <li>Setting start of scale value</li> <li>Setting full scale value</li> <li>Releasing key lock</li> </ul> The device can be operated by means of HART communication.
LL	Write protection You can now only release the lock using HART communication.

**See also**

Locking buttons and functions (Page 80)

Releasing key lock or function lock (Page 81)

**7.13 Measured value display****Introduction**

You can use this function to set one of three options for the device display:

- Display in mA
- Display in % (of the set measuring range)
- Display in a physical unit

Table 7- 4 Display of measuring mode/device variables

DV	Description
0	Pressure
1	Sensor temperature
2	Electronics temperature
3	Pressure (untrimmed)
4	Level
5	Volume
6	Mass
7	Volumetric flow rate (not relevant to gauge or absolute pressure)

DV	Description
8	Mass flow rate (not relevant to gauge or absolute pressure)
9	Users

**Points to note for "Pressure" DV**

If the device variable (DV) is set to "Pressure", you can configure the displayed pressure unit with an extension, GAUGE (G) or ABS (A). The add-on has no effect on the real measured value.

To do so, select the option Gauge or Absolute under the "Pressure display type" menu item.

There are two options for the display:

- If the pressure unit is < 5 characters, an A or a G is added at the end, respectively.
- If the pressure unit is ≥ 5 characters, the letters GAUGE or ABS flash alternately with the pressure unit.



Figure 7-13 Add-on with example GAUGE

**Note**

The change of the display with GAUGE or ABS does not change the physical pressure used by the transmitter, rather only the nature of the display.

**See also**

Measured value display (Page 84)

**7.14 Selection of the physical unit**

**Introduction**

You can use this function to select a unit from a table with predefined units.

## Description

The only units available will be those of the device variable that was mapped as the Primary Variable (PV).

The unit can be set separately for the display and for HART communication. You can also choose to link the setting of the two units.

## See also

Unit (Page 85)

## 7.15 Bar graph

### Description

You can use this to switch on the "Bar graph" function in the device display as an alternative to the unit display. The "Bar graph" function is disabled in the factory state.

### See also

Display elements (Page 57)

## 7.16 Sensor calibration

### 7.16.1 Sensor trim

#### Description

The sensor trim can be used to set the characteristic curve of the transmitter at two sensor trim points. The results are then correct measured values at the sensor trim points. The sensor trim points can be selected as any points within the nominal range.

Devices that are not scaled down prior to delivery are trimmed at 0 kPa and the high limit of the nominal range; devices that are scaled down prior to delivery are trimmed at the low and high limits of the set pressure measuring range.

### Application examples

- For a device that is not scaled down (e.g. 6.3 MPa), the typical measured value is 5 MPa. To attain the highest possible accuracy for this value, set the upper sensor calibration to 5 MPa.
- A 6.3-MPa transmitter is scaled down to 0.4 to 0.7 MPa. You can attain the highest possible accuracy by selecting 0.4 MPa for the lower sensor calibration point and 0.7 MPa for the upper.
- A 25-kPa pressure transmitter displays 2.5 kPa instead of 2 kPa. A reference pressure of 10 kPa is available. You can carry out a zero point correction by performing a lower sensor trim at 10 kPa.

---

#### Note

The accuracy of the test device should be at least three times as high as that of the transmitter.

---

## 7.16.2 Trimming the sensor

### Trim the sensor at the lower trim point

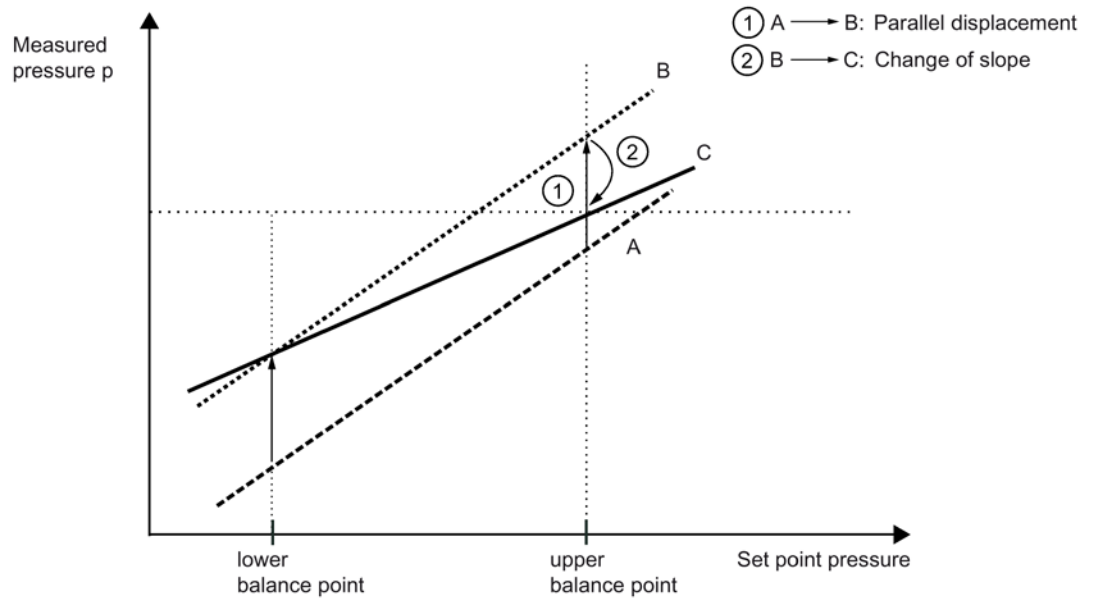
The pressure at which the lower sensor trim is to be performed is applied at the transmitter. Via SIMATIC PDM or the HART Communicator, you instruct the transmitter to accept this pressure.

This represents an offset shift of the characteristic curve.

### Trim the sensor at the upper trim point

The pressure at which the upper sensor trim is to be performed is applied at the transmitter. Via SIMATIC PDM or the HART Communicator, you instruct the transmitter to accept this pressure.

A gradient correction is thereby applied to the characteristic curve. The lower sensor trim point is not affected by this. The upper trim point needs to be greater than the lower trim point.



- A    Original characteristic
- B    Characteristic curve after lower sensor trim
- C    Characteristic curve after upper sensor trim

Figure 7-14 Sensor calibration

## 7.17 Current sensor trim

The current that is output by the transmitter can be trimmed independently of the pressure measuring circuit. This function is designed for compensating inaccuracies in the processing chain following the transmitter.

**Example of an application**

The current is to be measured as a voltage drop from 1 to 5 V at a resistance of 250 Ohm +/- 5%. To trim the tolerance of the resistance, set the current transmitter so that the voltage drop at 4 mA is exactly 1 V and at 20 mA is exactly 5 V.

- Trim at 4 mA:

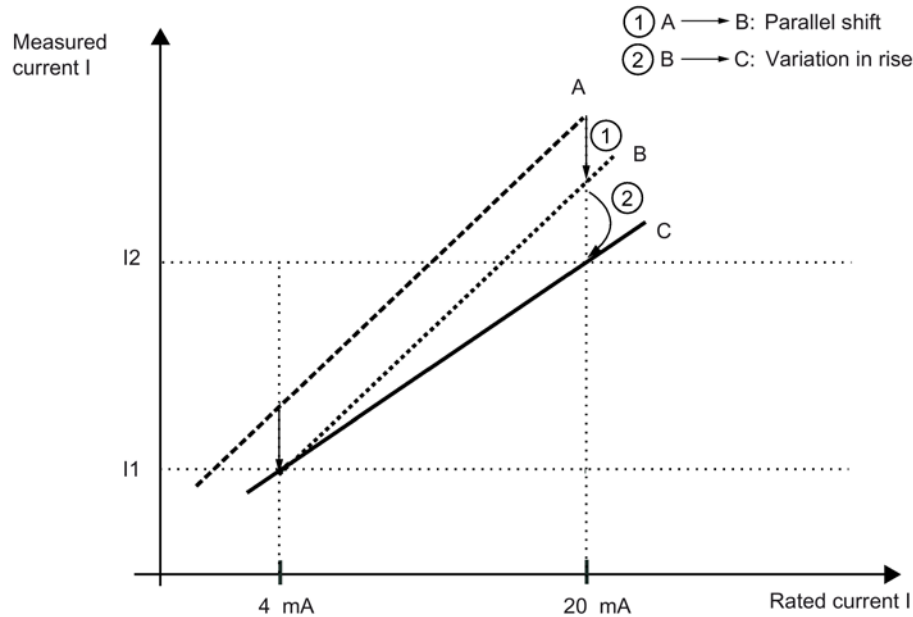
Use the current transmitter trim menu option to instruct the transmitter to output 4 mA. Read the measured value at an ammeter and input it. The transmitter uses this value for offset correction of the current.

- Trim at 20 mA:

Use the current transmitter trim menu option to instruct the transmitter to output 20 mA. Read the measured value at an ammeter and input it. The transmitter uses this value for gradient correction of the current. The value for 4 mA is not affected by this.

**Note**

If a multimeter is used, it must always be sufficiently accurate.



- A Original characteristic
- B Characteristic curve after current transmitter trim 4 mA
- C Characteristic curve after current transmitter trim 20 mA

Figure 7-15 Current transmitter trim

**7.18 Factory calibration**

**Introduction**

You can use factory calibration to reset the transmitter to the factory state.



## Description

You can use the menu-guided interface of SIMATIC PDM or HART Communicator to select the range of parameters to be reset:

1. Current trim
2. Sensor zero point calibration (position correction)
3. Pressure corrections (zero point calibration and sensor trim)
4. All parameters relevant for the processing of measured values, such as zero point, limit point, electrical damping, display unit, current trim, zero point calibration (position correction), sensor trim, measuring speed, interrupt current limits, interrupt setting, overflow ranges of current.
5. Variable mapper. This performs the following setting:  
PV= Pressure, SV= Sensor temp., TV= Electronics temp., QV= Non-linearized pressure

PV	Primary variable
SV	Secondary variable
TV	Tertiary variable
QV	Quarternary variable

## 7.19 Static configuration data

### Description

A further menu command in the corresponding operating program allows you to read and also write a series of sensor-specific material data. With the factory state, this data is pre-allocated according to the particular device model. These values are not contained in the "Factory calibration" function; in other words, changes in the device are permanently saved.

List of variable material parameters:

- Flange type
- Flange material
- Remote seal type
- Filling medium
- O-ring material
- Remote seal
- Remote seal diaphragm material
- Number of remote seals
- Sensor filling medium
- Sensor seal diaphragm material
- Transmitter model
- Housing material

7.20 Flow rate measurement (only differential pressure)

- Tube length
- Process connection
- Electrical connection
- Process connection screw material
- Vent valve position

For a series of these material data items, you can enter any designation of your choice under the option "Special". This applies to the following parameters:

- Process connection
- Flange type
- Process connection screws
- O-ring material
- Material of vent valve
- Vent valve position
- Remote seal type
- Remote seal
- Diaphragm material
- Remote seal filling medium

You can use up to 16 characters for each entry.

## 7.20 Flow rate measurement (only differential pressure)

### Description

For the "Differential pressure and flow rate" device version, you can select the characteristic curve of output current as follows without actuating the measuring mode selector:

- linear "lin": proportional to differential pressure
- square root extracting "sroff": proportional to flow rate, deactivated up to the application point
- square root extracting "srin": proportional to flow rate, linear up to the application point
- square root extracting "srin2": proportional to flow rate, two-step linear up to the application point

### Variable application point

The output current for the "srin" and "sroff" functions can be displayed linearly or set to zero below the application point of the square root extracting characteristic curve.

### Fixed application point

The "srln2" function has a permanently defined application point of 10%. The range up to this point contains two linear characteristic curve sections. The first section ranges from the zero point to 0.6% of the output value and 0.6% of the pressure value. The second section has a higher gradient and it goes up to the root application point at 10% of the output value and 1% of the pressure value.

### See also

Flow rate measurement (only differential pressure) (Page 82)

## 7.21 Diagnostic functions

### 7.21.1 Overview

#### Description

HART communication allows you to activate and evaluate a wide range of diagnostic functions from a central control room or on site.

The diagnostics strategy employed for the transmitter incorporates a diagnostic warning and a diagnostic interrupt for diagnostic functions for monitoring limit values, e.g. for monitoring current saturation. This warning and interrupt can be configured:

- Diagnostic warning: The device transmits via HART communication the diagnostic event that has occurred. The current output value is unaffected. The message "Diagnostic Warning" alternates with the unit on the display.
- Diagnostic interrupt: The device goes into the fault current state. The message "Diagnostic Warning" or "Diagnostic Alarm" appears on the display, along with the message ERROR. In addition, the diagnostic event is made available via HART communication.

In the default settings, all warnings and alarms are switched off. You can choose to set either the diagnostic warning only or the diagnostic interrupt and warning. For HART communication, use the HART Communicator or PC software such as SIMATIC PDM. To see the steps required, refer to the attached table for operation of the HART Communicator or the help functions in the SIMATIC PDM software.

### 7.21.2 Operating hours counter

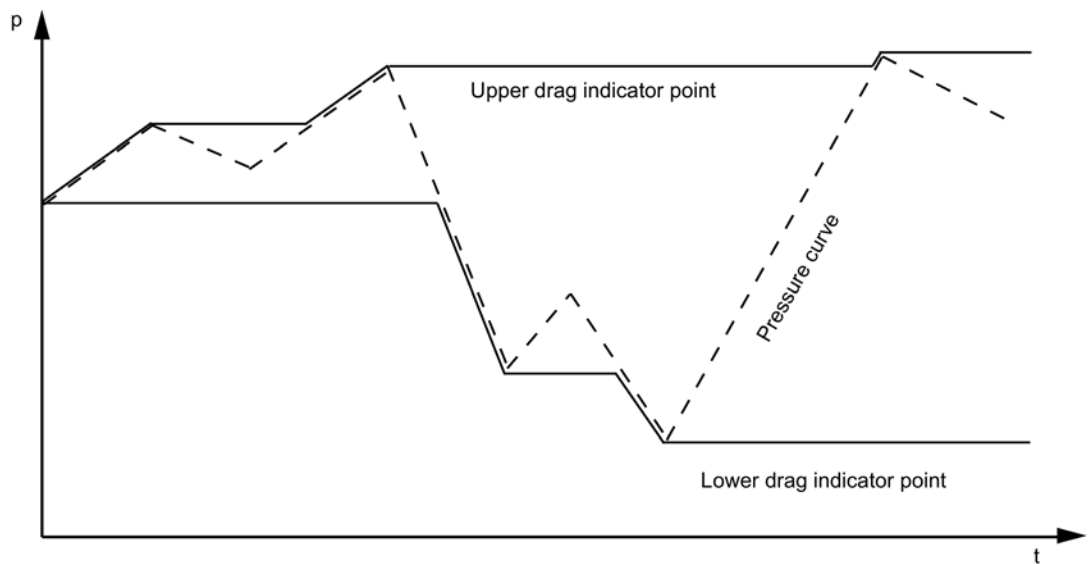
#### Description

An operating hours counter can be read via HART communication for the electronics and another for the sensor. For HART communication, use the HART Communicator or PC software such as SIMATIC PDM. The counters are activated the first time the transmitter is put into operation. If the device is separated from its power supply, the counter readings are automatically stored in the non-volatile memories. That means that the current counter readings can be accessed at the next restart. The operating hours counters cannot be reset.

### 7.21.3 Min/max indicator

#### Description

The pressure transmitter has three pairs of min/max pointers which you can use to monitor the three measured variables pressure, sensor temperature, and electronics temperature for negative and positive peak values. For each measured value, a resettable min/max pointer saves the maximum and minimum peak values in long-term storage in the two non-volatile memories. Consequently, the values are available even after the device is restarted. The min/max pointers are also updated during a simulation.



p Pressure

Figure 7-16 Basic representation of min/max pointers

# Functional safety

## 8.1 Safety function

The safety function of SITRANS P refers to the measurement of pressures. (Order option - Z C20 and -Z C23) Add an additional safety accuracy of 2% of the maximum measuring range to the application-specific measurement error.

Total tolerance (safety function) =  $\pm$  [application-specific measuring error + 2% safety accuracy].

Pressure transmitter safety accuracy: the maximum effect of a random non-critical individual error on the measured value.

The diagnostics function will respond within 4 seconds in the worst-case scenario.

The safety accuracy together with the application-specific measurement error allows the system operator to include a backup for process monitoring. Even if a random individual error occurs that is within the safety accuracy, the system can still be safely shut down.

As there is also always a possibility of dangerous faults occurring, these are categorized and listed in the manufacturer declaration for the device (SIL declaration of conformity, functional safety pursuant to IEC 61508 and IEC 61511).

Example:

A silo is to be securely monitored to check that the level does not exceed 10 meters.

Application-specific measurement error: 0.1%

Safety accuracy: 2.0%

Total tolerance: 2.1%

2.1% of 10 meters is 21 centimeters. If process monitoring is set to 9.79 meters, safe shutdown is guaranteed even in the event of a random individual error within the safety accuracy.

---

### Note

#### Use of remote seals

If remote seals are used, the application-specific measurement error is the product of the pressure transmitter and remote seal measurement errors.

---

**⚠ WARNING**

**Disregarding conditions for fulfilling the safety function**

Disregarding conditions can result in a malfunction of the process system or application, for example, process pressure too high, maximum level exceeded.

The binding settings and conditions are listed in the chapters "Settings (Page 123)" and "Safety characteristics (Page 124)".

Please observe the applicable conditions to ensure the safety function.

### Safety-instrumented system in single-channel operation (SIL 2)

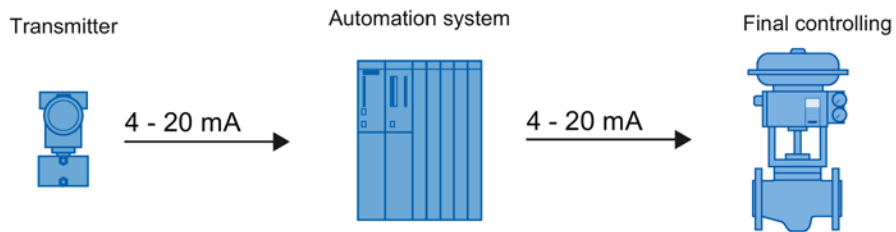


Figure 8-1 Safety-instrumented system in single-channel operation

The combination of transmitter, automation system and final controlling element forms a safety-instrumented system that performs a safety function. The emphasis of this description is on the transmitter. For information on requirements for the automation system or final controlling element, please refer to the corresponding standards.

The transmitter generates a process-related measured value that is transferred to the automation system. The automation system monitors this measured value. If the measured value violates the high or low limit, the automation system generates a shutdown signal for the connected final controlling element, which switches the corresponding valve to the specified safety position.

Only one SITRANS P device is required for single-channel operation for SIL 2.

### Safety-instrumented system in multi-channel operation (SIL 3)

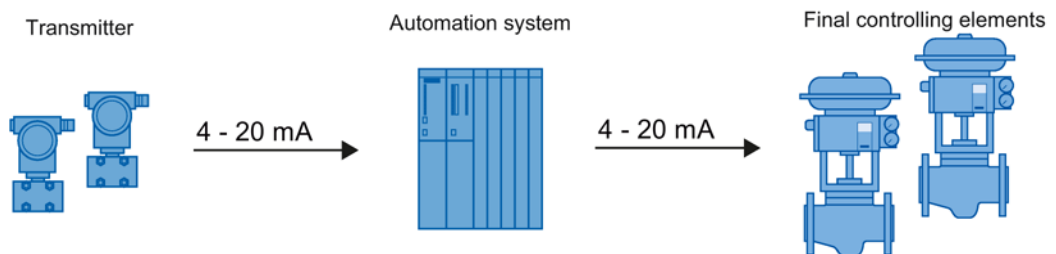


Figure 8-2 Safety-instrumented system in multi-channel operation

The combination of transmitter, automation system and final controlling element forms a safety-instrumented system that performs a safety function. The emphasis of this description

is on the transmitter. For information on requirements for the automation system or final controlling element, please refer to the corresponding standards.

The transmitter generates process-related measured values that are transferred to the automation system. The automation system monitors these measured values. In the event of a fault, the automation system generates shutdown signals for connected final controlling elements that set the associated valve to the defined safety position. Faults are:

- Violations of the preset high or low limits
- Deviations between the two measured values

The automation system program must monitor the measured values of both SITRANS P devices. As soon as the measured values differ by e.g. 2% or more, the system must be brought into the safe state and the fault must be located.

Two SITRANS P devices are required for multi-channel operation for SIL 3. Operation with one device is not permitted.

---

**Note**

**Switching-off of system at high monitoring accuracy**

The two transmitters are connected to the process at different positions. Actual differences in pressure  $\geq$  the total tolerance (safety function) can occur when the process is started up or if there are other pressure variations. A difference in pressure  $\geq$  the total tolerance (safety function) will shut down the system.

- Match the monitoring accuracy of the automation system to the process.
  - Mount the two transmitters exposed to equal conditions.
- 

## 8.2 Safety Integrity Level (SIL)

The international standard IEC 61508 defines four discrete Safety Integrity Levels (SIL) from SIL 1 to SIL 4. Every level corresponds to a probability range for the failure of a safety function.

### Description

The following table shows the dependency of the SIL on the "average probability of dangerous failures of a safety function of the entire safety-instrumented system" ( $PFD_{AVG}$ ). The table deals with "Low demand mode", i.e. the safety function is required a maximum of once per year on average.

Table 8- 1 Safety Integrity Level

SIL	Interval
4	$10^{-5} \leq PFD_{AVG} < 10^{-4}$
3	$10^{-4} \leq PFD_{AVG} < 10^{-3}$
2	$10^{-3} \leq PFD_{AVG} < 10^{-2}$
1	$10^{-2} \leq PFD_{AVG} < 10^{-1}$

The "average probability of dangerous failures of the entire safety-instrumented system" (PFD<sub>AVG</sub>) is normally split between the following three components:

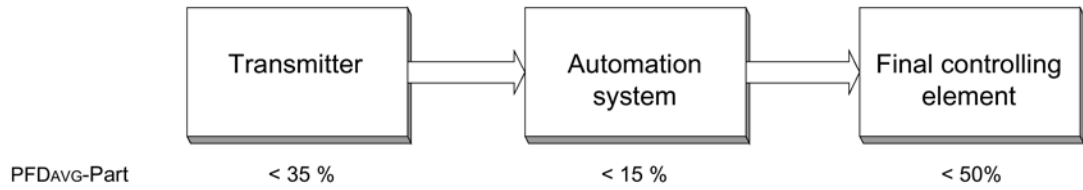


Figure 8-3 PFD distribution

The following table shows the achievable Safety Integrity Level (SIL) for the entire safety-instrumented system for type B devices depending on the safe failure fraction (SFF) and the hardware fault tolerance (HFT).

- Type B devices include analog transmitters and shut-off valves **with** complex components, e.g. microprocessors (also see IEC 61508, Section 2).
- For detailed information on values and hardware/firmware versions for your device, refer to the manufacturer declaration for the device (Declaration of Conformity, Functional Safety according to IEC 61508 and IEC 61511): Certificates (<http://www.siemens.com/processinstrumentation/certificates>).

SFF	HFT for type B devices		
	0	1 (0) <sup>1)</sup>	2 (1) <sup>1)</sup>
< 60 %	Not permitted	SIL 1	SIL 2
60 to 90 %	SIL 1	SIL 2	SIL 3
90 to 99 %	SIL 2	SIL 3	SIL 4
> 99 %	SIL 3	SIL 4	SIL 4

<sup>1)</sup> Operational reliability in accordance with IEC 61511-1, Section 11.4.4

**Operational reliability**

According to IEC 61511-1, Section 11.4.4, the hardware fault tolerance (HFT) can be reduced by one (values in brackets) for transmitters and final controlling elements with complex components if the following conditions apply to the device:

- The device is proven in operation.
- The user can configure only the process-related parameters, e.g. control range, signal direction in case of a fault, limiting values, etc.
- The configuration level of the firmware is blocked against unauthorized operation.
- The function requires SIL of less than 4.

**See also**

General functional safety (<http://www.siemens.com/safety>)

Functional safety in process instrumentation (<http://www.siemens.com/SIL>)



## 8.3 Settings

### Introduction

This section details the following areas:

- Settings for devices with functional safety
- Measures you must take when using the device for functional safety.

### Procedure

1. Setting safety-relevant parameters
2. Checking the safety function
3. Activate button and function lock

### Setting safety-relevant parameters

Parameter name	Set parameter value
Low saturation limit	3.8 mA
High saturation limit	20.5 mA
Lower fault current value	3.6 mA
Upper fault current value	22.8 mA

See Setting the current limits (Page 107).

### Checking the safety function

After adjusting the device, check the safety function. You can find a description for checking the safety function in the section Checking the safety function (Page 125).

### See also

- Locking buttons and functions (Page 80)
- Releasing key lock or function lock (Page 81)

## 8.4 Safety characteristics

The safety characteristics necessary for using the system are listed in the "SIL declaration of conformity". These values apply under the following conditions:

- The SITRANS P pressure transmitter is only used in applications with a low demand for the safety function (low demand mode).
- Communication with the HART protocol is used only for the following:
  - Device configuration
  - Reading diagnostics values
  - However, it is not used for operations critical to safety. In particular, the simulation function must not be activated in safety-related operation.
- The safety-related parameters/settings have been entered by local operation or HART communication before commencing safety-related operation. Check the parameters/settings on the device display. See section Settings (Page 123).
- The safety function test has been concluded successfully.
- The transmitter is blocked against unwanted and unauthorized changes/operation.
- The current signal of 4 to 20 mA of the transmitter is evaluated by a safe system.
- Fault rates are calculated on the basis of a Mean Time To Repair (MTTR) of eight hours (order option C20) or 72 hours (order option C23).

### Special points to note for multi-channel operation (SIL 3)

- Two devices are required for multi-channel operation in accordance with SIL 3.
- The automation system must monitor the measured values of both devices. The system must be put into safe mode as soon as the measured values differ too greatly.

## 8.5 Maintenance/check

### 8.5.1 Overview

#### Checking safety

Check the safety function of the entire safety circuit on a regular basis in accordance with IEC 61508/61511. The test intervals are determined in the course of calculations for each safety circuit of a system ( $PFD_{AVG}$ ).

#### Checking safety function/proof test

Runs this test to detect hidden serious faults of the pressure transmitter.

Hidden faults result in incorrect measurements and dangerous failures in your safety-related system.

If necessary, replace the pressure transmitter.

### **Activate button and function lock**

After parameter assignment/commissioning as well as after a proof test, perform the following steps:

1. Set the lock mode in Mode 10 to write protection "L".  
Operation via keys and HART communication is blocked.
2. Protect the keys from unintended change in the parameters, e.g. by lead-sealing.

### **Electronics and measuring cell**

The safety function of the pressure transmitter is ensured only if you use the electronics, measuring cell, display and connection board delivered by the factory. These components cannot be replaced.

### **See also**

Settings (Page 123)

Checking safety function/proof test (Page 125)

## **8.5.2 Checking safety function/proof test**

### **Requirement**

- You should preferably check the safety function while the device is installed. If this is not possible, you can also check the safety function when the device is not installed. Make sure that the pressure transmitter is mounted in the same position for testing as it is in the system.
- Observe the information in the section Key lock or function lock.
- If you are using add-on parts, also see the tests in section Add-on parts (Page 132).

### **Procedure**

1. Make sure that the test does not inadvertently result in an emergency shutdown of the system.
2. Make sure that there are no active warnings or error messages.
3. Check temperature sensors. (Page 127)
4. Simulate the fault current. (Page 127)

5. Conduct a two-point measurement:  
Two-point measurement  $\geq 10\%$  of the maximum measuring range. (Page 127)  
- or -  
Two-point measurement  $\geq 50\%$  of the maximum measuring range. (Page 130)
6. Make sure that the pressure transmitter is in measuring mode.
7. After the test, make sure that the emergency shutdown of the system is working again.
8. Activate the locking of buttons and functions (Page 80).

## Result

If you are conducting the test as described, you will detect dangerous faults to a certain degree that are not detected by runtime diagnostics:

- With two-point measurement  $\geq 10\%$  of the maximum measuring range: 83% of the faults are detected.
- With two-point measurement  $\geq 50\%$  of the maximum measuring range: 99% of the faults are detected.

---

### Note

If you are operating or testing the pressure transmitter with a limited measuring span (10% of the maximum measuring range), you will also detect 99% of the faults.

If a measuring cell of 63 bar is only used in the range from 0 bar to 6.3 bar, for example, and this range is tested completely, you will also detect 99% of the faults.

If a larger measuring range than 10% is used but only 10% of the maximum measuring range is tested, the error detection is less than 99%.

---

## Interval

- Check the pressure transmitter regularly for proper function to detect influences which could reduce the functionality of the pressure transmitter in time (proof test).
- Select the interval according to the process and ambient conditions of the installation location of the pressure transmitter.

---

### Note

For a safety-instrumented system, we recommend checking the device at regular intervals of one year.

For safety-related systems in multi-channel operation (SIL 3), the PFD value required by the IEC 61508 standard will not be exceeded within the service life (15 years). This means a proof test is not necessary as far as the standard is concerned.

---

### 8.5.2.1 Checking temperature sensors

#### Procedure

- Read the sensor temperature and the electronics temperature via HART communication.
- Check whether the measured temperature is within the range of -80 °C and 120 °C.  
If the measured temperature is not within this range, the temperature sensor is defective.

### 8.5.2.2 Simulating fault current

#### Introduction

You simulate the fault current with the operator function with the "Current simulator" keys (see Operation using buttons (Page 64)).

Alternatively, you can use the menu command Device>Measuring circuit test in SIMATIC PDM.

#### Procedure

1. Enter a low fault current value (3.6 mA).
2. Check the fault current value at the output.
3. Enter a high fault current value (22.8 mA).
4. Check the fault current value at the output.
5. Exit the simulation.

Checking the fault current is successful when the deviation between the set and the measured fault current is less than 0.2%.

### 8.5.2.3 Two-point measurement $\geq 10\%$ of the maximum measuring range

#### General procedure

#### Requirement

The difference between the first input pressure and the second input pressure is  $\geq 10\%$  of the maximum measuring range.

#### Checking the measuring range

1. Apply an initial input pressure.
2. Measure the output current.

3. Apply a second input pressure.
4. Measure the output current.

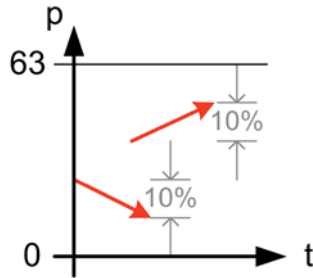


Figure 8-4 Example of two-point measurement 10%

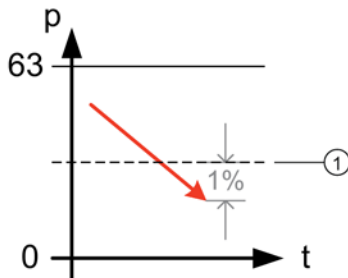
**See also**

Procedure for monitoring a maximum pressure (Page 129)

**Procedure for monitoring a minimum pressure**

**Checking monitoring of a minimum pressure**

1. Check the monitoring of the minimum pressure with the threshold defined in the system.
2. Apply an input pressure value that is  $\geq 1\%$  below the threshold.
3. Apply an input pressure value that is  $\geq 9\%$  above the threshold.



① Threshold

Figure 8-5 Monitoring of a minimum pressure

**See also**

Procedure for monitoring a maximum pressure (Page 131)

## Procedure for monitoring a maximum pressure

### Checking monitoring of the maximum pressure

1. Check the monitoring of the maximum pressure with the threshold defined in the system.
2. Apply an input pressure value that is 10% above the threshold.
3. Apply an input pressure value that is below the threshold.

---

#### Note

Step 3 can only be performed if the maximum limit value is > 10% below the maximum full scale value. Otherwise, check only up to full scale value.

However, the test range must be 10% of the maximum measuring range.

---

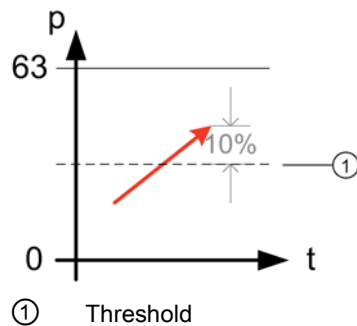


Figure 8-6 Monitoring of a maximum pressure

### See also

Procedure for monitoring a maximum pressure (Page 131)

### Result

The two-point measurements are successful when the deviation between input pressure and measured output current is  $\leq 0.2\%$ .

### Negative measurement result

If the two-point measurements of the pressure transmitter were not successful, the SIL level is no longer guaranteed.

- Replace the pressure transmitter.

### 8.5.2.4 Two-point measurement $\geq 50\%$ of the maximum measuring range

#### General procedure

#### Requirement

The difference between the first input pressure and the second input pressure is  $\geq 50\%$  of the maximum measuring range.

#### Checking monitoring of the maximum measuring range

1. Apply an initial input pressure.
2. Measure the output current.
3. Apply a second input pressure.
4. Measure the output current.

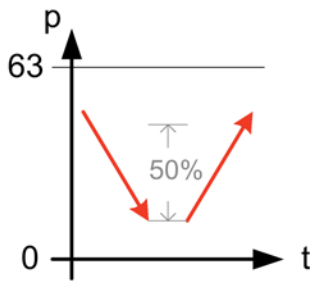


Figure 8-7 Example of two-point measurement 50%

#### See also

Procedure for monitoring a maximum pressure (Page 131)

#### Procedure for monitoring a minimum pressure

#### Checking monitoring of a minimum pressure

1. Check the monitoring of the maximum pressure with the threshold defined in the system.
2. Apply an input pressure value that is 1% below the threshold.
3. Apply an input pressure value that is  $\geq 49\%$  above the threshold when the maximum limit value is  $> 10\%$  below the maximum full scale value.



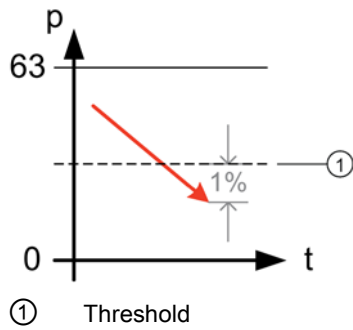


Figure 8-8 Monitoring of a minimum pressure

### See also

Procedure for monitoring a maximum pressure (Page 131)

### Procedure for monitoring a maximum pressure

#### Checking monitoring of the maximum pressure

1. Check the monitoring of the maximum pressure with the threshold defined in the system.
2. Apply an input pressure value that is  $\geq 10\%$  above the threshold.
3. Apply an input pressure value that is  $\geq 40\%$  below the threshold.

---

#### Note

Step 3 can only be implemented if the maximum limit value is  $> 10\%$  below the maximum full scale value. Otherwise, check only up to full scale value.

However, the test range must be 50% of the maximum measuring range.

---

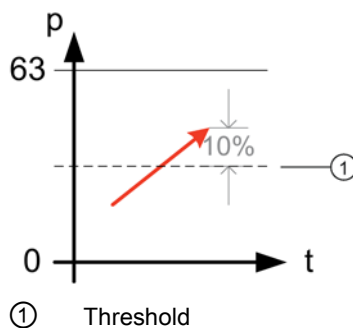


Figure 8-9 Monitoring of a maximum pressure

### See also

Procedure for monitoring a maximum pressure (Page 131)

## Result

The two-point measurements are successful when the deviation between input pressure and measured output current is  $\leq 0.2\%$ .

## Negative measurement result

If the two-point measurements of the pressure transmitter were not successful, the SIL level is no longer guaranteed.


- Replace the pressure transmitter.

### 8.5.2.5 Checking pressure transmitter for external damage

- Make sure that the terminal compartment is dry.
- Make sure that the enclosure and the process connections do not have any leaks through which the filling oil or the process medium could escape.
- Check the enclosure for critical damages.
- Make sure that the connecting cable is plugged in correctly and that it is not damaged.

## 8.6 Add-on parts

This chapter contains safety information for add-on parts.

 <b>WARNING</b>
<b>Add-on parts unsuitable for process medium</b> Danger of injury or damage to device. If the process medium is not suitable for the parts which come into contact with it, hot and/or toxic or corrosive substances could be released. <ul style="list-style-type: none"><li>• Refer to the information in the chapter "Technical data (Page 157)".</li><li>• Make sure that the add-on parts are suitable for the corresponding application with regard to materials, temperature of process medium, and pressure.</li></ul>

### 8.6.1 Checking a device with add-on pneumatic block

#### Procedure

1. Check the connection between the pressure transmitter and pneumatic block and between the pneumatic block and pipelines in the plant for leaks.
2. Observe the safety information and specifications in chapter Installing/mounting (Page 33).

3. Check the following valves for correct positioning and absence of leaks:
  - Process valves
  - Stabilizing valve
  - Vent valves
  - Blowout valves or plugs
4. Observe the safety information and specifications in chapter Commissioning (Page 135).

## **8.6.2 Checking a device with add-on remote seal**


### **Procedure**


1. Check the connection between the pressure transmitter and remote seal and between the remote seal and the plant for leaks.
2. Observe the safety information and specifications in chapter Installing/mounting (Page 33).




# Commissioning

## 9.1 Basic safety instructions

 <b>DANGER</b>
<b>Toxic gases and liquids</b> Danger of poisoning when venting the device: if toxic process media are measured, toxic gases and liquids can be released. <ul style="list-style-type: none"><li>• Before venting ensure that there are no toxic gases or liquids in the device, or take the appropriate safety measures.</li></ul>

 <b>WARNING</b>
<b>Improper commissioning in hazardous areas</b> Device failure or danger of explosion in hazardous areas. <ul style="list-style-type: none"><li>• Do not commission the device until it has been mounted completely and connected in accordance with the information in Chapter "Technical data (Page 157)".</li><li>• Before commissioning take the effect on other devices in the system into account.</li></ul>

 <b>WARNING</b>
<b>Opening device in energized state</b> Danger of explosion in areas subject to explosion hazard. <ul style="list-style-type: none"><li>• Only open the device in a de-energized state.</li><li>• Check prior to commissioning that the cover, cover locks, and cable inlets are assembled in accordance with the directives.</li></ul> <b>Exception:</b> Devices having the type of protection "Intrinsic safety Ex i" may also be opened in energized state in hazardous areas.

## 9.2 Introduction to commissioning

Following commissioning, the transmitter is immediately ready for use.

To obtain stable measured values, the transmitter needs to be allowed to warm up for five minutes or so after the power supply is switched on. Upon switch-on, the transmitter goes through an initialization routine (display at the end: "Init done"). If the transmitter initialization routine does not complete, check the auxiliary power.

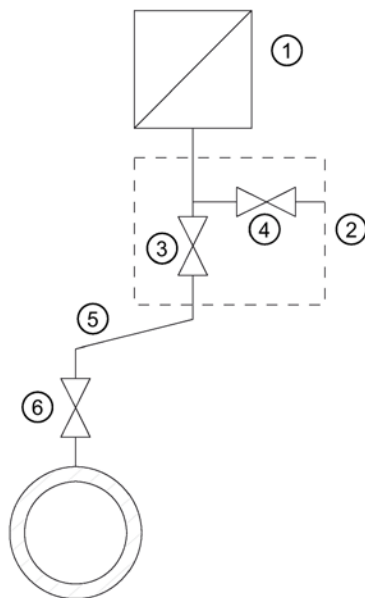
The operating data must correspond to the values specified on the nameplate. If you switch on the auxiliary power, the transmitter will operate.

The following commissioning cases are typical examples. Configurations different from those listed here may be meaningful depending on the system configuration.

### 9.3 Gauge pressure

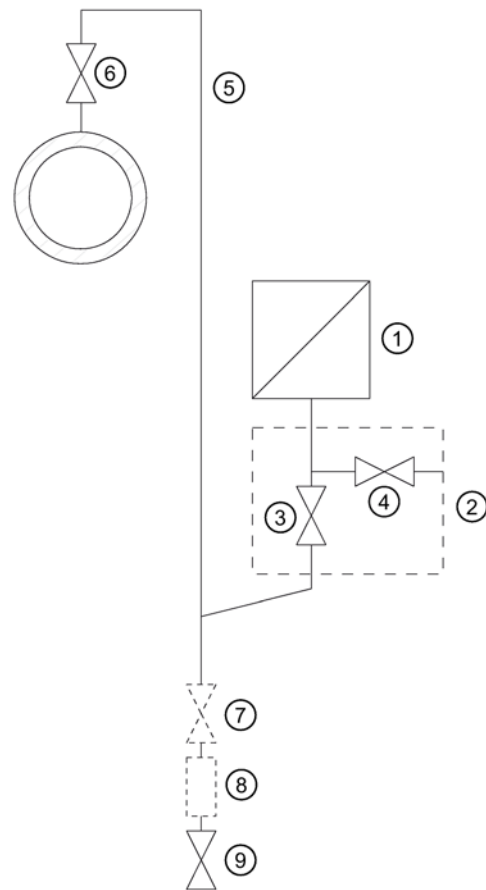
#### 9.3.1 Commissioning for gases

Usual arrangement



Measuring gases above the pressure tapping point

Special arrangement



Measuring gases below the pressure tapping point

- |   |   |   |                              |
|---|---|---|------------------------------|
| ① | Pressure transmitter                                  | ⑤ | Pressure line                |
| ② | Shut-off module                                       | ⑥ | Shut-off valve               |
| ③ | Shut-off valve to process                             | ⑦ | Shut-off valve (optional)    |
| ④ | Shut-off valve for test connection or for bleed screw | ⑧ | Condensate vessel (optional) |
|   |   | ⑨ | Drain valve                  |

### Condition

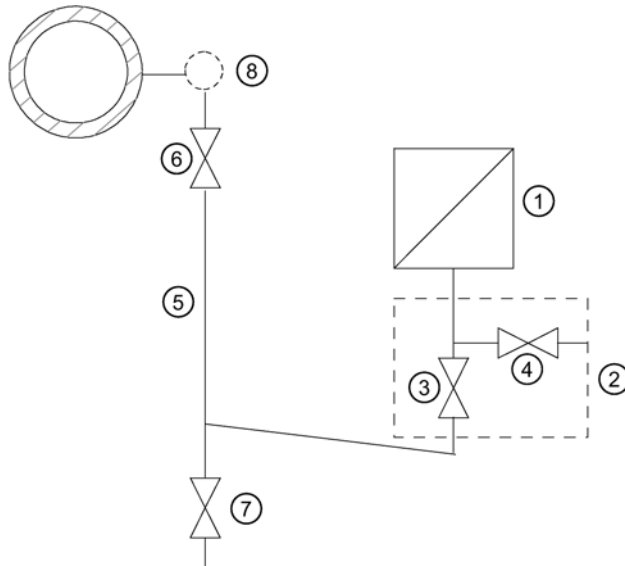
All valves are closed.

### Procedure

To commission the transmitter for gases, proceed as follows:

1. Open the shut-off valve for the test connection ④.
2. Via the test connection of the shut-off fitting ②, apply the pressure corresponding to the start of scale value to the pressure transmitter ①.
3. Check the start of scale value.
4. If the start of scale value differs from the value desired, correct it.
5. Close the shut-off valve for the test connection ④.
6. Open the shut-off valve ⑥ at the pressure tapping point.
7. Open the shut-off valve for the process ③.

### 9.3.2 Commissioning with steam or liquid



- ① Pressure transmitter
- ② Shut-off fitting
- ③ Shut-off valve to process
- ④ Shut-off valve for test connection or for bleed screw
- ⑤ Pressure line
- ⑥ Shut-off valve
- ⑦ Blow-out valve
- ⑧ Compensation vessel (steam only)

Figure 9-1 Measuring steam

#### Requirement

All valves are closed.

#### Procedure

To commission the transmitter for steam or liquid, proceed as follows:

1. Open the shut-off valve for the test connection ④.
2. Via the test connection of the shut-off module ②, apply the pressure corresponding to the start of scale value to the pressure transmitter ①.
3. Check the start of scale value.
4. If the start of scale value differs from the value desired, correct it.
5. Close the shut-off valve for the test connection ④.
6. Open the shut-off valve ⑥ at the pressure tapping point.
7. Open the shut-off valve for the process ③.



## 9.4 Differential pressure and flow rate

### 9.4.1 Safety notes for commissioning with differential pressure and flow rate

** WARNING****Incorrect or improper operation**

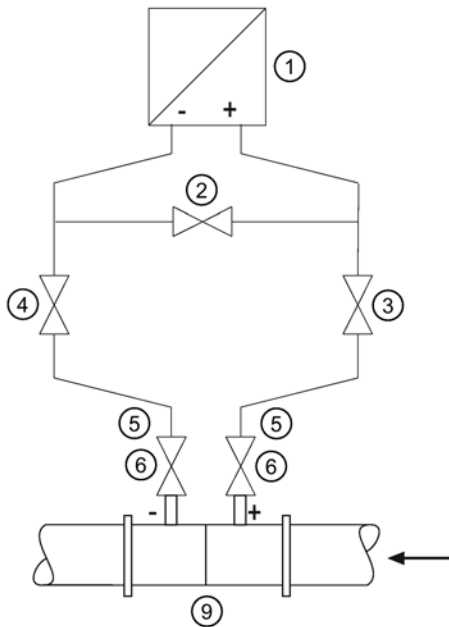
If the lock screws are missing or are not sufficiently tight, and/or if the valves are operated incorrectly or improperly, it could lead to serious physical injuries or considerable damage to property.

**Measure**

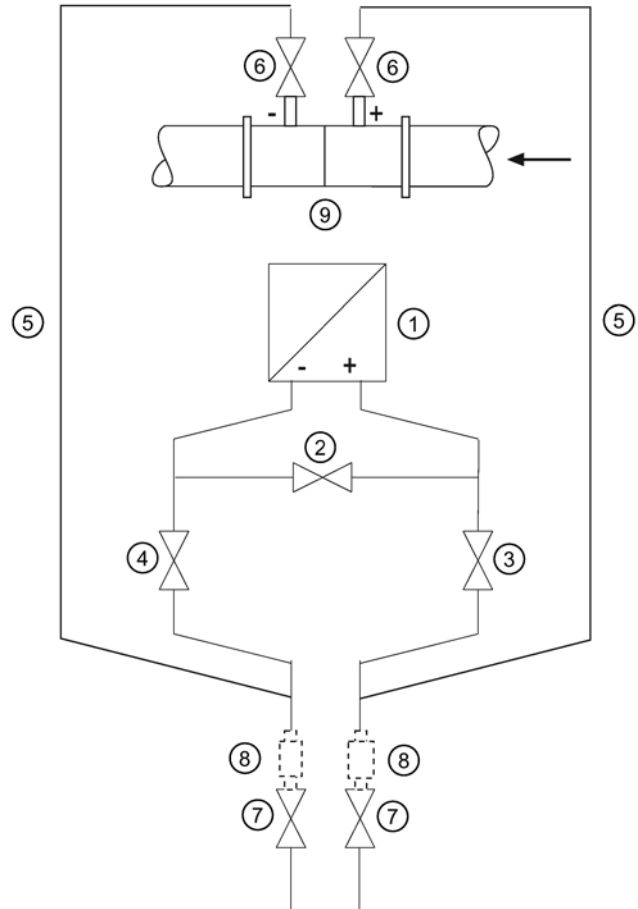
- Make sure the locking screw and/or the vent valve are screwed in and tightened.
- Ensure that the valves are operated correctly and properly.

### 9.4.2 Commissioning in gaseous environments

Usual arrangement



Special arrangement



- ① Pressure transmitter
- ② Stabilizing valve
- ③, ④ Differential pressure valves
- ⑤ Differential pressure lines

Pressure transmitter **above** the differential pressure transducer

- ⑥ Shut-off valves
- ⑦ Drain valves
- ⑧ Condensate vessels (optional)
- ⑨ Differential pressure transducer

Pressure transmitter **below** the differential pressure transducer

#### Requirement

All shut-off valves are closed.

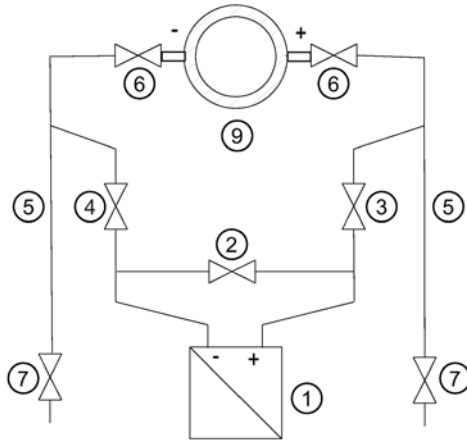
**Procedure**

To commission the pressure transmitter for gases, proceed as follows:

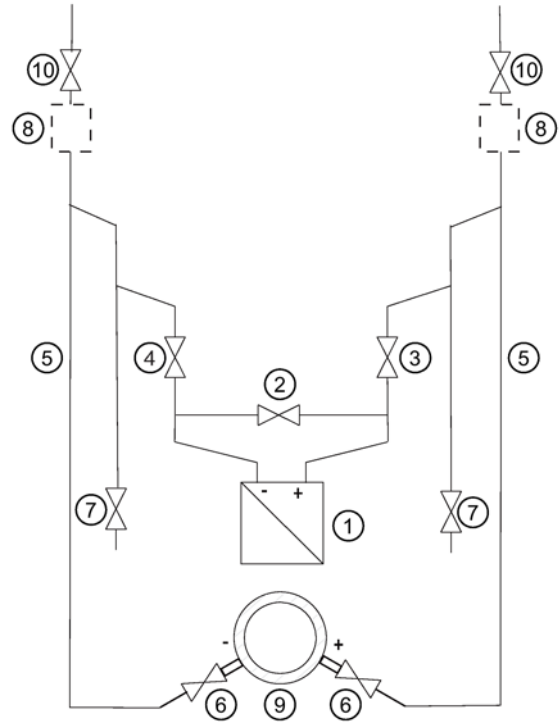
1. Open both the shut-off valves ⑥ at the pressure tapping point.
2. Open the stabilizing valve ②.
3. Open the differential pressure valve (③ or ④).
4. Check and, if necessary, correct the zero point when the start-of-scale value is 0 kPa (4 mA).
5. Close the stabilizing valve ②.
6. Open the other differential pressure valve (③ or ④).

### 9.4.3 Commissioning for liquids

Usual arrangement



Special arrangement



- ① Pressure transmitter
- ② Stabilizing valve
- ③, ④ Differential pressure valves
- ⑤ Differential pressure lines
- ⑥ Shut-off valves

Pressure transmitter **below** the differential pressure transducer

- ⑦ Drain valves
- ⑧ Gas collector vessels (optional)
- ⑨ Differential pressure transducer
- ⑩ Vent valves

Pressure transmitter **above** the differential pressure transducer

#### Requirement

All valves are closed.

## Procedure

 **DANGER****Toxic liquids**

Danger of poisoning when the device is vented.

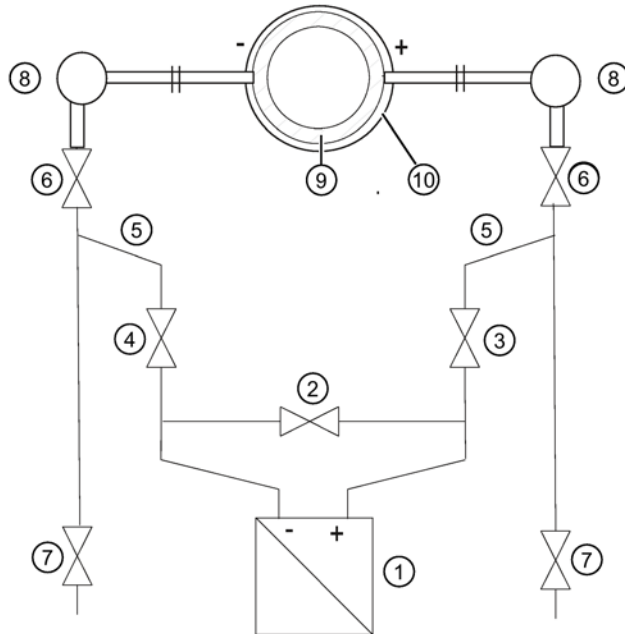
If toxic process media are measured with this device, toxic liquids can escape when the device is vented.

- Before venting, make sure there is no liquid in the device or take the necessary safety precautions.

To commission the pressure transmitter for liquids, proceed as follows:

1. Open both the shut-off valves ⑥ at the pressure tapping point.
2. Open the stabilizing valve ②.
3. With a **pressure transmitter below the differential pressure transducer**, open both blowout valves ⑦ one after the other until the air-free liquid escapes.  
In the case of a **pressure transmitter above the differential pressure transducer**, open both vent valves ⑩ one after the other until the air-free liquid escapes.
4. Close both drain valves ⑦ or vent valves ⑩.
5. Open the differential pressure valve ③ and the vent valve on the positive side of the pressure transmitter ① slightly, until fluid escapes without bubbles.
6. Close the vent valve.
7. Open the vent valve on the negative side of the pressure transmitter ① slightly, until fluid escapes without bubbles.
8. Close the differential pressure valve ③.
9. Open the differential pressure valve ④ until the liquid emerges and then close it.
10. Close the vent valve on the negative side of the pressure transmitter ①.
11. Open the differential pressure valve ③ by rotating it in ½ turn.
12. Check and, if necessary, correct the zero point (4 mA) when the start-of-scale value is 0 kPa.
13. Close the stabilizing valve ②.
14. Open the differential pressure valves (③ and ④) completely.

9.4.4 Commissioning with vapor



- ① Pressure transmitter
- ② Stabilizing valve
- ③, ④ Differential pressure valves
- ⑤ Differential pressure lines
- ⑥ Shut-off valves
- ⑦ Drain valves
- ⑧ Condensate pots
- ⑨ Differential pressure transducer/Orifice plate
- ⑩ Insulation

Figure 9-2 Measuring steam

Requirement

All valves are closed.

Procedure

**⚠ WARNING**

**Hot vapor**  
 Danger of injury or damage to device.

If the shut-off valves ⑥ and the differential pressure valve ③ are both open and the stabilizing valve ② is then opened, the pressure transmitter ① can be damaged by the flow of vapor.

- Follow the specified procedure for commissioning.

 **WARNING****Hot vapor**

Danger of injury.

You can briefly open the drain valves ⑦ to clean the line. Hot vapor can escape in the process.

- Only open the drain valves ⑦ briefly, and close them again before vapor escapes.

To commission the pressure transmitter for vapor, proceed as follows:


1. Open both the shut-off valves ⑥ at the pressure tapping point.
2. Open the stabilizing valve ②.
3. Wait until the steam in the differential pressure lines ⑤ and in the equalizing vessels ⑧ has condensed.
4. Open the differential pressure valve ③ and the vent valve on the positive side of the pressure transmitter ① slightly, until air-free condensate escapes.
5. Close the vent valve.
6. Open the vent valve on the negative side of the pressure transmitter ① slightly, until condensate escapes without bubbles.
7. Close the differential pressure valve ③.
8. Open the differential pressure valve ④ slightly, until condensate escapes without bubbles, then close it.
9. Close the vent valve on the negative side ①.
10. Open the differential pressure valve ③ by rotating it in ½ turn.
11. Check and correct, if necessary, the zero point (4 mA) when the start of scale value is 0 kPa.  
The result is only error-free if the differential pressure lines ⑤ have equally high condensate columns with the same temperature. The zero calibration must be repeated if required if these conditions are fulfilled.
12. Close the stabilizing valve ②.
13. Fully open the differential pressure valves ③ and ④.
14. You can briefly open the drain valves ⑦ to clean the line.
15. Close the drain valve ⑦ before vapor escapes.







## Service and maintenance

### 10.1 Basic safety instructions

 <b>WARNING</b>
<b>Impermissible repair of explosion protected devices</b>
Danger of explosion in areas subject to explosion hazard.
<ul style="list-style-type: none"><li>• Repair must be carried out by Siemens authorized personnel only.</li></ul>

 <b>WARNING</b>
<b>Impermissible accessories and spare parts</b>
Danger of explosion in areas subject to explosion hazard.
<ul style="list-style-type: none"><li>• Only use original accessories or original spare parts.</li><li>• Observe all relevant installation and safety instructions described in the instructions for the device or enclosed with the accessory or spare part.</li></ul>

 <b>WARNING</b>
<b>Use of incorrect device parts in potentially explosive environments</b>
Devices and their associated device parts are either approved for different types of protection or they do not have explosion protection. There is a danger of explosion if device parts (such as covers) are used for devices with explosion protection that are not expressly suited for this type of protection. If you do not adhere to these guidelines, the test certificates and the manufacturer warranty will become null and void.
<ul style="list-style-type: none"><li>• Use only device parts that have been approved for the respective type of protection in the potentially explosive environment. Covers that are not suited for the "explosion-proof" type of protection are identified as such by a notice label attached to the inside of the cover with "Not Ex d Not SIL".</li><li>• Do not swap device parts unless the manufacturer specifically ensures compatibility of these parts.</li></ul>

 **WARNING**

**Maintenance during continued operation in a hazardous area**

There is a danger of explosion when carrying out repairs and maintenance on the device in a hazardous area.

- Isolate the device from power.

- or -

- Ensure that the atmosphere is explosion-free (hot work permit).

 **WARNING**

**Commissioning and operation with pending error**

If an error message appears, correct operation in the process is no longer guaranteed.

- Check the gravity of the error.
- Correct the error.
- If the error still exists:
  - Take the device out of operation.
  - Prevent renewed commissioning.

**See also**

Display in case of a fault (Page 151)

 **WARNING**

**Hot, toxic or corrosive process media**

Danger of injury during maintenance work.

When working on the process connection, hot, toxic or corrosive process media could be released.

- As long as the device is under pressure, do not loosen process connections and do not remove any parts that are pressurized.
- Before opening or removing the device ensure that process media cannot be released.

 **WARNING**

**Improper connection after maintenance**

Danger of explosion in areas subject to explosion hazard.

- Connect the device correctly after maintenance.
- Close the device after maintenance work.

Refer to Chapter "Connecting (Page 49)".

 **WARNING**

**Use of a computer in a hazardous area**

If the interface to the computer is used in the hazardous area, there is a danger of explosion.

- Ensure that the atmosphere is explosion-free (hot work permit).

 **CAUTION**

**Releasing key lock**

Improper modification of parameters could influence process safety.

- Make sure that only authorized personnel may cancel the key locking of devices for safety-related applications.

 **CAUTION**

**Hot surfaces**

Danger of burns during maintenance work on parts having surface temperatures exceeding 70 °C (158 °F).

- Take corresponding protective measures, for example by wearing protective gloves.
- After carrying out maintenance, remount touch protection measures.

 **CAUTION**

**Hazardous voltage with open device in versions with 4-conductor extension**


Danger of electrocution when the enclosure is opened or enclosure parts are removed.

- Disconnect the device before you open the enclosure or remove enclosure parts.
- Observe the special precautionary measures if maintenance is required while the device is live. Have maintenance work carried out by qualified personnel.

<b>NOTICE</b>
<b>Electrostatic-sensitive devices</b> The device contains electrostatic-sensitive devices (ESD). ESD can be destroyed by voltages far too low to be detected by humans. These voltages can occur if you simply touch a component part or the electrical connections of a module without being electrostatically discharged. The damage to a module caused by overvoltage cannot normally be detected immediately; it only becomes apparent after a longer period of operating time has elapsed. Protective measures against the discharge of static electricity: <ul style="list-style-type: none"><li>• Make sure that no power is applied.</li><li>• Before working with modules, make sure that you discharge static from your body, for example by touching a grounded object.</li><li>• Devices and tools used must be free of static charge.</li><li>• Hold modules only by their edges.</li><li>• Do not touch connector pins or conductor tracks on a module with the ESD notice.</li></ul>

## 10.2 Maintenance and repair work

### 10.2.1 Defining the maintenance interval

 <b>WARNING</b>
<b>No maintenance interval has been defined</b> Device failure, device damage, and risk of injury. <ul style="list-style-type: none"><li>• Define a maintenance interval for regular tests in line with device use and empirical values.</li><li>• The maintenance interval will vary from site to site depending on corrosion resistance.</li></ul>

## 10.2.2 Checking the gaskets

### Inspect the seals at regular intervals

---

**Note****Incorrect seal changes**

Incorrect measured values will be displayed. Changing the seals in a process flange of a differential pressure measuring cell can alter the start-of-scale value.

- The seals in devices with differential pressure measuring cells are not designed to be changed.
- 

1. Clean the enclosure and seals.
2. Check the enclosure and seals for cracks and damage.
3. Grease the seals if necessary.

## 10.2.3 Display in case of a fault

Check the start of scale value of the device from time to time.

Differentiate between the following in case of a fault:

- The internal self test has detected a fault, e.g. sensor break, hardware fault/Firmware fault.

Displays:

- Display: "ERROR" display and ticker with an error text
- Analog output: Factory setting: Failure current 3.6 or 22.8 mA

Or depending on the parameterization

- HART: detailed error breakdown for display in the HART communicator or SIMATIC PDM

- Grave hardware faults, the processor is not functioning.

Displays:

- Display: no defined display
- Analog output: failure current < 3.6 mA

In case of defect, you can replace the electronic unit by following the warning notes and the provided instruction manual.

## 10.3 Cleaning

 **WARNING**

**Dust layers above 5 mm**

Danger of explosion in hazardous areas. Device may overheat due to dust build up.

- Remove dust layers in excess of 5 mm.

**NOTICE**

**Penetration of moisture into the device**

Device damage.

- Make sure when carrying out cleaning and maintenance work that no moisture penetrates the inside of the device.

### Cleaning the enclosure

- Clean the outside of the enclosure and the display window using a cloth moistened with water or a mild detergent.
- Do not use aggressive cleaning agents or solvents. Plastic components or painted surfaces could be damaged.

 **WARNING**

**Electrostatic charge**

Danger of explosion in hazardous areas if electrostatic charges develop, for example, when cleaning plastic surfaces with a dry cloth.

- Prevent electrostatic charging in hazardous areas.

### 10.3.1 Servicing the remote seal measuring system

The remote seal measuring system usually does not need servicing.

If the mediums are contaminated, viscous or crystallized, it could be necessary to clean the diaphragm from time to time. Use only a soft brush and a suitable solvent to remove the deposits from the diaphragm. Do not use corrosive cleaning agents. Prevent the diaphragm from getting damaged due to sharp-edged tools.

**NOTICE**

**Improper cleaning of diaphragm**

Device damage. The diaphragm can be damaged.

- Do not use sharp or hard objects to clean the diaphragm.

## 10.4 Return procedure

Enclose the bill of lading, return document and decontamination certificate in a clear plastic pouch and attach it firmly to the outside of the packaging.

### Required forms

- Delivery note
- Return goods delivery note  
(<http://www.siemens.com/processinstrumentation/returngoodsnote>)  
with the following information:
  - Product (item description)
  - Number of returned devices/replacement parts
  - Reason for returning the item(s)
- Decontamination declaration (<http://www.siemens.com/sc/declarationofdecontamination>)

With this declaration you warrant "that the device/replacement part has been carefully cleaned and is free of residues. The device/replacement part does not pose a hazard for humans and the environment."

If the returned device/replacement part has come into contact with poisonous, corrosive, flammable or water-contaminating substances, you must thoroughly clean and decontaminate the device/replacement part before returning it in order to ensure that all hollow areas are free from hazardous substances. Check the item after it has been cleaned.

Any devices/replacement parts returned without a decontamination declaration will be cleaned at your expense before further processing.

The forms can be found on the Internet as well as in the documentation which comes with the device.



## 10.5 Disposal



Devices identified by this symbol may not be disposed of in the municipal waste disposal services under observance of the Directive 2002/96/EC on waste electronic and electrical equipment (WEEE).

They can be returned to the supplier within the EC or to a locally approved disposal service. Observe the specific regulations valid in your country.

---

### Note

#### Special disposal required

The device includes components that require special disposal.

- Dispose of the device properly and environmentally through a local waste disposal contractor.



## Technical data

### 11.1 Overview of technical data

#### Introduction

The following overview of technical data provides you with a quick and easy access to relevant data and characteristic numbers.

#### Contents of the chapter

- Input point (Page 157)
- Output (Page 159)
- Measuring accuracy (Page 160)
- Operating conditions (Page 162)
- Construction (Page 163)
- Display, keyboard and auxiliary power (Page 165)
- Certificates and approvals (Page 166)
- HART communication (Page 167)

### 11.2 Input point

<b>Gauge pressure input</b>			
Measured variable	Gauge pressure		
Span (continuously adjustable) or measuring range, maximum operating pressure (as per 97/23/EC Pressure Equipment Directive) and maximum test pressure (as per DIN 16086)	Span	Maximum operating pressure MAWP (PS)	Maximum test pressure
	0.01 ... 1 bar	4 bar	6 bar
	1 ... 100 kPa	400 kPa	600 kPa
	0.15 ... 14.5 psi	58 psi	87 psi
	0.04 ... 4 bar	7 bar	10 bar
	4 ... 400 kPa	700 kPa	1 MPa
	0.58 ... 58 psi	102 psi	145 psi
	0.16 ... 16 bar	21 bar	32 bar
	16 ... 1600 kPa	2100 kPa	3200 kPa
2.3 ... 232 psi	305 psi	464 psi	

<b>Gauge pressure input</b>			
	0.63 ... 63 bar	67 bar	100 bar
	63 ... 6300 kPa	6700 kPa	10 MPa
	9.1 ... 914 psi	972 psi	1450 psi
	1.6 ... 160 bar	167 bar	250 bar
	0.16 ... 16 MPa	16.7 MPa	25 MPa
	23 ... 2321 psi	2422 psi	3626 psi
	4 ... 400 bar	400 bar	600 bar
	0.4 ... 40 MPa	40 MPa	60 MPa
	58 ... 5802 psi	5802 psi	8702 psi
	7 ... 700 bar	800 bar	800 bar
	0.7 ... 70 MPa	80 MPa	80 MPa
	102 ... 10153 psi	11603 psi	11603 psi
Lower measuring limit			
• Measuring cell with silicone oil filling	0.03 bar a/3 kPa a/0.44 psi a		
Upper measuring limit			100% of maximum span
Start of scale value			Between the measuring limits (fully adjustable)

<b>Differential pressure and flow rate input</b>		
Measured variable	Differential pressure and flow rate	
Span (continuously adjustable) or measuring range, maximum operating pressure (as per 97/23/EC pressure device guideline) and maximum test pressure (as per DIN 16086)	Span	Maximum operating pressure MAWP (PS)
	1 ... 60 mbar	160 bar
	0.1 ... 6 kPa	16 MPa
	0.4015 ... 24.09 inH <sub>2</sub> O	2320 psi
	2.5 ... 250 mbar	
	0.25 ... 25 kPa	
	1.004 ... 100.4 inH <sub>2</sub> O	
	6 ... 600 mbar	
	0.6 ... 60 kPa	
	2.409 ... 240.9 inH <sub>2</sub> O	
	0.016 ... 1.6 bar	
	1.6 ... 160 kPa	
	6.424 ... 642.4 inH <sub>2</sub> O	
	0.05 ... 5 bar	
	5 ... 500 kPa	
20.08 ... 2008 inH <sub>2</sub> O		
0.3 ... 30 bar		
30 ... 3000 kPa		
4.35 ... 435 psi		

**Differential pressure and flow rate input**

Lower measuring limit

- Measuring cell with silicone oil filling -100 % of max. measuring range  
(-33 % for measuring cell 30 bar/3000 kPa/435 psi) or  
30 mbar a/3 kPa a/0.44 psi a)

Upper measuring limit 100% of maximum span

Start of scale value Between the measuring limits (fully adjustable)

## 11.3 Output

**Output**

**HART**

Output signal	4 ... 20 mA
• Low saturation limit (fully adjustable)	3.55 mA, set to 3.84 mA in the factory
• High saturation limit (fully adjustable)	23 mA, set to 20.5 mA or optionally 22.0 mA in the factory
• Ripple (without HART communication)	$I_{SS} \leq 0.5 \%$ of the max. output current
adjustable time constants damping coefficient	0 ... 100 s, continuously adjustable
Adjustable time constants (T63) with local operation	0 ... 100 s, in steps of 0.1 s Factory-set to 2 s
• Current transmitter	3.55 ... 23 mA
• Failure signal	3.55 ... 23 mA
Load	Resistor R [ $\Omega$ ]
• Without HART communication	$R = \frac{U_H - 10,5 \text{ V}}{23 \text{ mA}}$
	$U_H$ Power supply in V
• With HART communication	
HART communicator (Handheld)	R =230 ... 1100 $\Omega$
SIMATIC PDM	R =230 ... 500 $\Omega$
Characteristic curve	<ul style="list-style-type: none"> <li>Linearly increasing or linearly decreasing</li> <li>Linear increase or decrease or root extraction increase (only for P310 differential pressure and flow rate)</li> </ul>

## 11.4 Measuring accuracy

### Measuring accuracy (as per EN 60770-1) gauge pressure

Reference conditions	<ul style="list-style-type: none"> <li>• Rising characteristic curve</li> <li>• Start of scale value 0 bar/kPa/psi</li> <li>• Seal diaphragm, stainless steel</li> <li>• Measuring cell with silicone oil filling</li> <li>• Room temperature 25 °C (77 °F)</li> </ul>	
Measuring span ratio r (spread, Turn-Down)	r = max. measuring span/set measuring span and nominal measuring range	
Measurement deviation with limit setting, including hysteresis and repeatability		
Linear characteristic curve	$r \leq 5$	$5 < r \leq 100$
<ul style="list-style-type: none"> <li>• 1 bar/100 kPa/14.5 psi</li> <li>• 4 bar/400 kPa/58 psi</li> <li>• 16 bar/1.6 MPa/232 psi</li> <li>• 63 bar/6.3 MPa/914 psi</li> <li>• 160 bar/16 MPa/12321 psi</li> </ul>	$\leq 0.075 \%$	$\leq (0.005 \cdot r + 0.07) \%$
Linear characteristic curve	$r \leq 3$	$3 < r \leq 100$
<ul style="list-style-type: none"> <li>• 400 bar/40 MPa/5802 psi</li> <li>• 700 bar/70 MPa/10152 psi</li> </ul>	$\leq 0.075 \%$	$\leq (0.005 \cdot r + 0.07) \%$
Effect of ambient temperature	In percent per 28 °C (50 °F)	
<ul style="list-style-type: none"> <li>• For all measuring spans</li> </ul>	$\leq (0.15 \cdot r + 0.25) \%$	
Long-term stability at $\pm 30$ °C ( $\pm 54$ °F)	In 5 years $\leq (0.25 \cdot r) \%$	
Step response time $T_{63}$ without electrical damping	Approx. 0.2 s	
Effect of mounting position	$\leq 0.05$ mbar/0.005 kPa g/0.000725 psi g je 10° inclination Zero offset is possible with position error compensation	
Effect of auxiliary power supply	In percent per change in voltage 0.005 % per 1 V	

**Measuring accuracy (in accordance with EN 60770-1) differential pressure and flow rate**

Reference conditions	<ul style="list-style-type: none"> <li>• Rising characteristic curve</li> <li>• Start of scale value 0 bar/kPa/psi</li> <li>• Seal diaphragm, stainless steel</li> <li>• Measuring cell with silicone oil filling</li> <li>• Room temperature 25 °C (77 °F)</li> <li>• Measuring span ratio r</li> </ul> <p style="text-align: center;"><math>r = \text{max. measuring span/set measuring span}</math></p>
Measuring span ratio r (spread, Turn-Down)	$r = \text{max. measuring span/set measuring span and nominal measuring range}$
Measurement deviation with limit setting, including hysteresis and repeatability	
• Linear characteristic curve	
$r \leq 5$	$\leq 0.075 \%$
$5 < r \leq 100$	$\leq (0.005 \cdot r + 0.07) \%$
• Square-root extracted characteristic	
Flow > 50 %	
• $r \leq 5$	$\leq 0.075 \%$
• $5 < r \leq 30$	$\leq (0.005 \cdot r + 0.07) \%$
Flow 25 ... 50 %	
• $r \leq 5$	$\leq 0.15 \%$
• $5 < r \leq 30$	$\leq (0.010 \cdot r + 0.14) \%$
Effect of ambient temperature	In percent per 28 °C (50 °F)
• For all measuring spans	$\leq (0.15 \cdot r + 0.25) \%$
Effect of static pressure	
• At the start of scale value	
60 mbar/6 kPa/0.87 psi	$\leq (0.15 \cdot r) \%$ per 70 bar/7000 kPa/1015 psi
250 mbar/25 kPa/3.63 psi	(zero offset is possible with position error compensation)
600 mbar/60 kPa/8.70 psi	
1600 mbar/160 kPa/23.21 psi	
5 bar/500 kPa/72.52 psi	$\leq (0.2 \cdot r) \%$ per 70 bar/7000 kPa/1015 psi
30 bar/3 MPa/435.11 psi	(zero offset is possible with position error compensation)
• On the measuring span	$\leq 0.14 \cdot r \%$ per 70 bar/7000 kPa/1015 psi
Long-term stability at $\pm 30$ °C ( $\pm 54$ °F)	In 5 years $\leq (0.25 \cdot r) \%$
Step response time $T_{63}$ without electrical damping	

11.5 Operating conditions

Measuring accuracy (in accordance with EN 60770-1) differential pressure and flow rate	
• 60 mbar/6 kPa/0.87 psi	≥ 0.4 s
• 250 mbar/25 kPa/3.63 psi 600 mbar/60 kPa/8.70 psi 1600 mbar/160 kPa/23.21 psi 5 bar/500 kPa/72.52 psi 30 bar/3 MPa/435.11 psi	≥ 0.3 s
Effect of mounting position	In pressure per change of angle ≤ 0.7 mbar/0.07 kPa/0.28 psi per 10° inclination (zero offset is possible with position error compensation)nu
Effect of auxiliary power supply	In percent per change in voltage 0.005 % per 1 V

## 11.5 Operating conditions

Gauge pressure rated conditions	
Installation conditions	
Ambient conditions	
• Ambient temperature	
Note	Observe the temperature class in hazardous areas.
Measuring cell with silicone oil filling	-40 ... +85 °C (-40 ... +185 °F)
Display	-30 ... +85 °C (-22 ... +185 °F)
Storage temperature	-50 ... +85 °C (-58 ... +185 °F)
• Climate class	
Condensation	Permitted
• Degree of protection in accordance with EN 60529	IP66, IP68
• Electromagnetic compatibility	
Interference emission and interference immunity	In accordance with EN 61326 and NAMUR NE 21
Process medium conditions	
• Process temperature	
Measuring cell with silicone oil filling	-40 ... +100 °C (-40 ... +212 °F)
With extension to Zone 0	-20 ... +60 °C (-4 ... +140 °F)



---

**Rated conditions for differential pressure and flow rate**

---

Installation conditions

---

- Installation instruction any
- 

Ambient conditions

---

- Ambient temperature
- 

Note Observe the temperature class in hazardous areas.

---

Measuring cell with silicone oil filling -40 ... +85 °C (-40 ... +185 °F)

---

- 3000 kPa (435 psi) measuring cell
  - -20 ... +85 °C (-4 ... +185 °F)
  - For flow: -20 ... +85 °C (-4 ... +185 °F)
- 

Display -30 ... +85 °C (-22 ... +185 °F)

---

Storage temperature -50 ... +85 °C (-58 ... +185 °F)

---

- Climate class
- 

Condensation Permitted

---

- Degree of protection in accordance with EN 60529 IP66, IP68
- 

- Electromagnetic compatibility
- 

Interference emission and interference immunity In accordance with EN 61326 and NAMUR NE 21

---

Process medium conditions

---

- Process temperature
- 

Measuring cell with silicone oil filling -40 ... +100 °C (-40 ... +212 °F)

---

- 3000 kPa (435 psi) measuring cell
  - 20 ... +85 °C (-4 ... +185 °F)
- 

In conjunction with dust explosion protection -20 ... +60 °C (-4 ... +140 °F)

---

## 11.6 Construction

---

**Constructional design, gauge pressure**

---

Weight Approx. 1.5 kg (3.3 lb) for aluminum enclosure

---

Material

---

- Wetted parts materials
- 

Process connection Stainless steel, mat. no. 1.4404/316L or Hastelloy C4, mat. no. 2.4610

---

Seal diaphragm Stainless steel, material no. 1.4404/316L or Hastelloy C276, material no. 2.4819

---

- Non-wetted parts materials
-

11.6 Construction

**Constructional design, gauge pressure**

Electronics housing	<ul style="list-style-type: none"> <li>• Low-copper aluminum die casting GD-AISI 12</li> <li>• Standard: Polyester-based paint</li> <li>• Stainless steel nameplate</li> </ul>	
Mounting bracket	Steel or stainless steel	
Measuring cell filling	<ul style="list-style-type: none"> <li>• Silicone oil</li> </ul>	
Process connection	Connection shank G <sup>1</sup> / <sub>2</sub> B in accordance with DIN EN 837-1; female thread <sup>1</sup> / <sub>2</sub> -14 NPT; male thread M20 x 1.5 und <sup>1</sup> / <sub>2</sub> -14 NPT	
Electrical connection	<p>Cable entry through the following glands: M20 x 1.5 and <sup>1</sup>/<sub>2</sub>-14 NPT</p> <ul style="list-style-type: none"> <li>• Cable diameter: 6 to 12 mm; types of protection "nA" and "ic" (Zone 2): 8 to 12 mm or a suitable cable gland for smaller diameters</li> </ul>	
Nut torque for cable gland made of	Plastic	Metal
	2.5 Nm (1.8 ft lb)	4.2 Nm (3.1 ft lb)

**Constructional design, differential pressure and flow rate**

Weight	Approx. 4.5 kg (9.9 lb) for aluminum enclosure	
Material		
<ul style="list-style-type: none"> <li>• Wetted parts materials</li> </ul>		
Seal diaphragm	Stainless steel, mat. no. 1.4404/316L, Hastelloy C276	
Pressure caps and locking screw	Stainless steel, mat. no. 1.4408 to PN 160	
O-ring (Standard)	FPM (Viton)	
<ul style="list-style-type: none"> <li>• Non-wetted parts materials</li> </ul>		
Electronics housing	<ul style="list-style-type: none"> <li>• Low-copper aluminum die casting GD-AISI 12</li> <li>• Standard: Polyester-based paint</li> <li>• Stainless steel nameplate</li> </ul>	
Pressure cap screws	Stainless steel	
Mounting bracket	Steel or stainless steel	
Measuring cell filling	<ul style="list-style-type: none"> <li>• Silicone oil</li> </ul>	
Process connection	Female thread <sup>1</sup> / <sub>4</sub> -18 NPT with fastening screw thread <sup>7</sup> / <sub>14</sub> -20 UNF to EN 61518	
Electrical connection	<p>Screw terminals</p> <p>Cable entry through the following glands:</p> <ul style="list-style-type: none"> <li>• M20 x 1.5</li> <li>• <sup>1</sup>/<sub>2</sub>-14 NPT</li> </ul>	
Nut torque for cable gland made of	Plastic	Metal
	2.5 Nm (1.8 ft lb)	4.2 Nm (3.1 ft lb)

## 11.7 Display, keyboard and auxiliary power

---

### Display and user interface

---

Keys	3 for on-site programming directly at the device
------	--

---

Display	<ul style="list-style-type: none"> <li>• With or without integrated display (optional)</li> <li>• Cover with inspection window (optional)</li> </ul>
---------	--

---



---

### Auxiliary power $U_H$

---

#### HART

Terminal voltage at transmitter	<ul style="list-style-type: none"> <li>• DC 10.5 V ... 45 V</li> <li>• In the case of intrinsically safe operation 10.5 V ... 30 V DC</li> </ul>
---------------------------------	--

---





Ripple	$U_{SS} \leq 0.2 \text{ V}$ (47 ... 125 Hz)
--------	---

---

Noise	$U_{eff} \leq 1.2 \text{ mV}$ (0.5 ... 10 kHz)
-------	--

---


## 11.8 Certificates and approvals

Certificates and approvals	
<b>HART</b>	
Classification according to Pressure Equipment Directive (PED 97/23/EC)	<ul style="list-style-type: none"> <li>for gases of Fluid Group 1 and liquids of Fluid Group 1; meets requirements of Article 3 Para. 3 (good engineering practice)</li> <li>only for flow rate: for gases of Fluid Group 1 and liquids of Fluid Group 1; fulfills the basic safety requirements as per article 3, Para 1 (appendix 1); classified as category III, module H conformity evaluation by TÜV Nord</li> </ul>
<b>Explosion protection</b>	
<ul style="list-style-type: none"> <li>Intrinsic safety "i"</li> </ul>	
Designation	 II 1/2 G Ex ia/ib IIC T4/T5/T6 Ga/Gb
Permissible ambient temperature	-40 ... +85 °C (-40 ... +185 °F) temperature class T4 -40 ... +70 °C (-40 ... +158 °F) temperature class T5 -40 ... +60 °C (-40 ... +140 °F) temperature class T6
Connection	To a certified intrinsically safe circuit with the max. values: U <sub>i</sub> = 30 V, I <sub>i</sub> = 100 mA, P <sub>i</sub> = 750 mW, R <sub>i</sub> = 300 Ω
Effective inner capacitance	C <sub>i</sub> = 6 nF
Effective inner inductance	L <sub>i</sub> = 0.4 mH
<ul style="list-style-type: none"> <li>Flameproof enclosure encapsulation "d"</li> </ul>	
Designation	 II 1/2 G Ex d IIC T4, T6 Ga/Gb
Permissible ambient temperature	-40 ... +85 °C (-40 ... +185 °F) temperature class T4 -40 ... +60 °C (-40 ... +140 °F) temperature class T6
Connection	To a circuit with the operating values: U <sub>H</sub> = 10.5 ... 45 V DC
<ul style="list-style-type: none"> <li>Dust explosion protection for Zone 20 and 20/21</li> </ul>	
Designation	 II 1 D Ex ta IIIC T120°C Da,  II 1/2 D Ex ta/tb IIIC T120°C Da/Db
Permissible ambient temperature	-40 ... +85 °C (-40 ... +185 °F)
max. surface temperature	120°C (248°F)
Connection	To a certified intrinsically safe circuit with the max. values: U <sub>i</sub> = 30 V, I <sub>i</sub> = 100 mA, P <sub>i</sub> = 750 mW, R <sub>i</sub> = 300 Ω
Effective inner capacitance	C <sub>i</sub> = 6 nF
Effective inner inductance	L <sub>i</sub> = 0.4 mH

**Certificates and approvals**

**HART**

- Dust explosion protection for Zone 22

Designation	 II 2 D Ex tb IIIC T120°C Db
Connection	To a circuit with the operating values: $U_H = 10.5 \dots 45 \text{ V DC}$ ; $P_{\max} = 1.2 \text{ W}$

- Type of protection "n" (Zone 2)

Designation	 II 2/3 G Ex nA IIC T4/T5/T6 Gc
	 II 2/3 G Ex ic IIC T4/T5/T6 Gc

Connection "nA"	$U_n = 45 \text{ V}$
Connection "ic"	To a circuit with the operating values: $U_i = 45 \text{ V}$
Effective inner capacitance	$C_i = 6 \text{ nF}$
Effective inner inductance	$L_i = 0.4 \text{ mH}$

- Explosion protection in accordance with FM Certificate of Compliance 3008490

Designation (XP/DIP) or IS; NI; S	CL I, DIV 1, GP ABCD T4 ... T6; CL II, DIV 1, GP EFG; CL III; CL I, ZN 0/1 AEx ia IIC T4 ... T6; CL I, DIV 2, GP ABCD T4 ... T6; CL II, DIV 2, GP FG; CL III
Permissible ambient temperature	$T_a = T4: -40 \dots +85 \text{ °C} (-40 \dots +185 \text{ °F})$ $T_a = T5: -40 \dots +70 \text{ °C} (-40 \dots +158 \text{ °F})$ $T_a = T6: -40 \dots +60 \text{ °C} (-40 \dots +140 \text{ °F})$

- Explosion protection as per CSA Certificate of Compliance 1153651

Designation (XP/DIP) or (IS)	CL I, DIV 1, GP ABCD T4 ... T6; CL II, DIV 1, GP EFG; CL III; Ex ia IIC T4 ... T6; CL I, DIV 2, GP ABCD T4 ... T6; CL II, DIV 2, GP FG; CL III
Permissible ambient temperature	$T_a = T4: -40 \dots +85 \text{ °C} (-40 \dots +185 \text{ °F})$ $T_a = T5: -40 \dots +70 \text{ °C} (-40 \dots +158 \text{ °F})$ $T_a = T6: -40 \dots +60 \text{ °C} (-40 \dots +140 \text{ °F})$

## 11.9 HART communication

**HART communication**

Load for a

- |                                |                       |
|--------------------------------|-----------------------|
| • HART communicator connection | 230 ... 1100 $\Omega$ |
| • HART modem                   | 230 ... 500 $\Omega$  |

Cable	2-wire, shielded: $\leq 3.0 \text{ km}$ (1.86 miles), multi-wired, shielded: $\leq 1.5 \text{ km}$ (0.93 miles)
-------	---

Protocol	HART Version 5.x
----------	------------------

---

**HART communication**

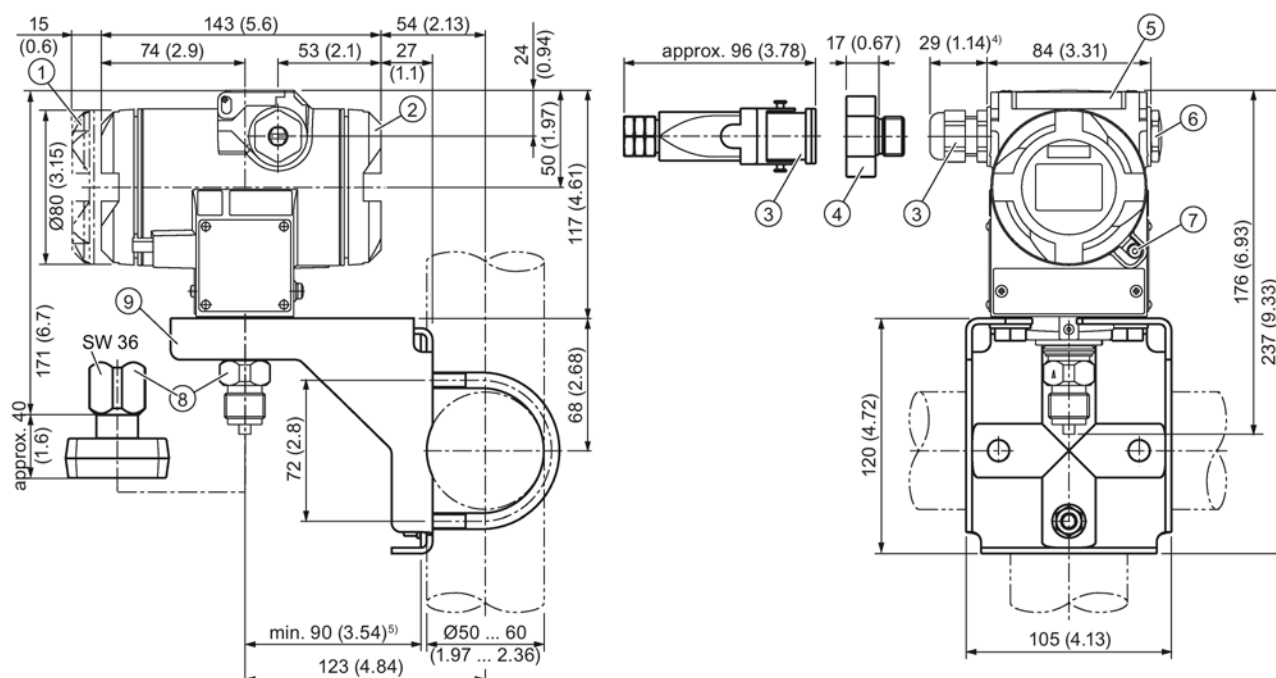
---

PC/laptop requirements	IBM-compatible, user memory > 32 MB, hard disk > 70 MB, depending on the type of modem: RS 232 interface or USB connection, VGA graphic
Software for computer	SIMATIC PDM

---

## Dimension drawings

### 12.1 SITRANS P310 for gauge pressure



- ① Electronics side, display  
(longer for cover with inspection window)<sup>1)</sup>
- ② Connection end<sup>1)</sup>
- ③ Electrical connection:
  - Pg 13.5 gland (adapter)<sup>2)3)</sup>
  - M20 x 1.5 gland<sup>3)</sup>
  - ½-14 NPT gland
  - Han 7D/Han 8D plug<sup>2) 3)</sup>
- ④ Harting adapter
- ⑤ Protective cap of the buttons
- ⑥ Blanking plug
- ⑦ Safety catch  
(only for flameproof enclosure, not shown in the drawing)
- ⑧ Process connection: G½B connection pin or oval flange
- ⑨ Mounting bracket (optional)

1) Take an additional 20 mm (0.79 inches) thread length into account

2) Not with "flameproof enclosure" type of protection

3) Not for "FM + CSA [is + XP]" type of protection

4) For Pg 13.5 with adapter, approx 45 mm (1.77 inches)

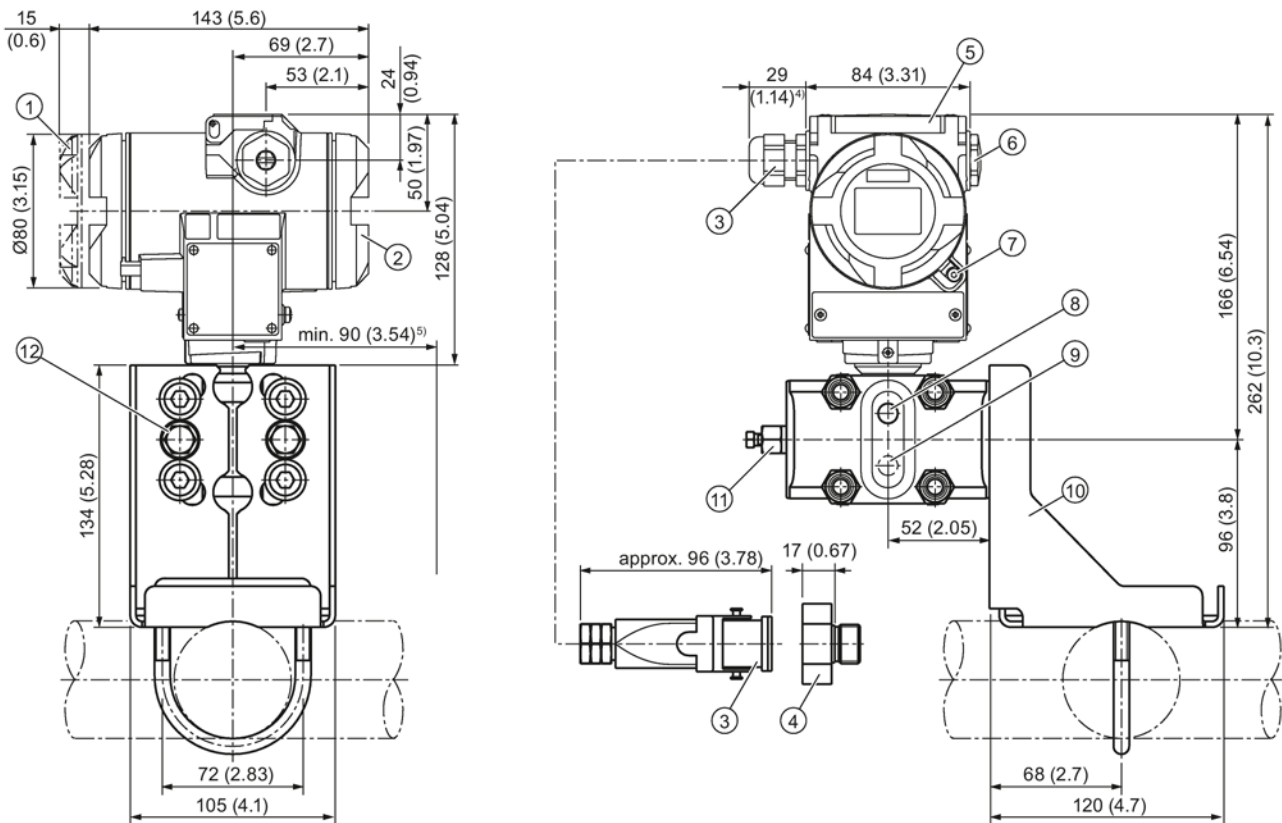
*12.1 SITRANS P310 for gauge pressure*

5) Minimum distance for rotating

Figure 12-1 SITRANS P310 pressure transmitter for gauge pressure, dimensions in mm (inches)



## 12.2 SITRANS P310 for differential pressure and flow rate



- ① Electronics side, display  
(longer for cover with inspection window)<sup>1)</sup>
- ② Connection end<sup>1)</sup>
- ③ Electrical connection:
  - Pg 13.5 gland (adapter)<sup>2)3)</sup>
  - M20 x 1.5 gland
  - ½-14 NPT gland
  - Han 7D/Han 8D plug<sup>2)3)</sup>
- ④ Harting adapter
- ⑤ Protective cap of the buttons
- ⑥ Blanking plug
- ⑦ Safety catch  
(only for "flameproof enclosure" type of protection, not shown in the drawing)
- ⑧ Lateral ventilation for liquid measurement (standard)
- ⑨ Lateral ventilation for gas measurement (addition H02)
- ⑩ Mounting bracket (optional)
- ⑪ Sealing plug, with valve (optional)
- ⑫ Process connection: ¼-18 NPT (EN 61518)

1) Take an additional 20 mm (0.79 inches) thread length into account

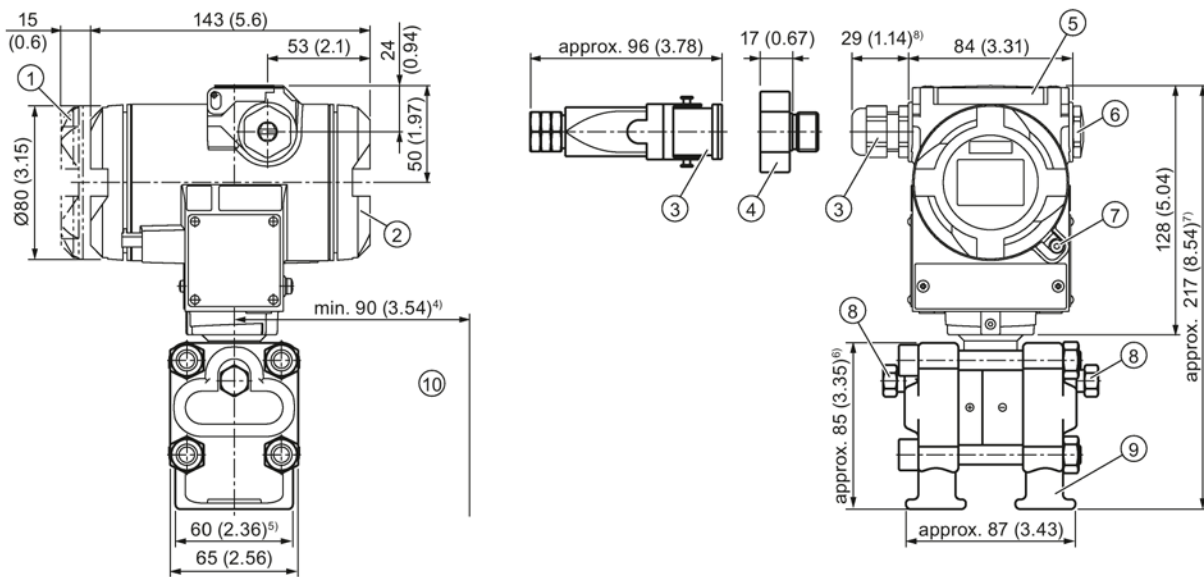
2) Not with "flameproof enclosure" type of protection

*12.2 SITRANS P310 for differential pressure and flow rate*

- 3) Not for "FM + CSA [IS + XP]" type of protection
- 4) For Pg 13.5 with adapter, approx 45 mm (1.77 inches)
- 5) 92 mm (3.62 inch) minimum distance for rotating the indicator

Figure 12-2 SITRANS P310 pressure transmitter for differential pressure and flow rate, dimensions in mm (inches)

## 12.2 SITRANS P310 for differential pressure and flow rate



- ① Electronics side, display  
(longer for cover with inspection window)<sup>1)</sup>
- ② Connection end
- ③ Electrical connection:
- Pg 13.5 gland (adapter)<sup>2)3)</sup>
  - M20 x 1.5 gland
  - ½-14 NPT gland
  - Han 7D/Han 8D plug<sup>2)3)</sup>
- ④ Harting adapter
- ⑤ Protective cap of the buttons
- ⑥ Blanking plug
- ⑦ Safety catch  
(only for "flameproof enclosure" type of protection, not shown in the drawing)
- ⑧ Sealing plug, with valve (optional)
- ⑨ Process connection: ¼-18 NPT (IEC 61518)
- ⑩ Clearance for rotating the enclosure
- 1) Take an additional 20 mm (0.79 inches) thread length into account
- 2) Not with "flameproof enclosure" type of protection
- 3) Not for "FM + CSA [is + XP]" type of protection
- 4) 92 mm (3.6 inch) minimum distance for rotating the indicator
- 5) 74 mm (2.9 inch) for PN ≥ 420 (MAWP ≥ 6092 psi)
- 6) 91 mm (3.6 inch) for PN ≥ 420 (MAWP ≥ 6092 psi)
- 7) 219 mm (8.62 inch) for PN ≥ 420 (MAWP ≥ 6092 psi)
- 8) For Pg 13.5 with adapter approx. 45 mm (1.77 inches)

Figure 12-3 Pressure transmitter SITRANS P310 for differential pressure and flow rate with caps for vertical differential pressure lines, dimensions in mm (inches)



## Spare parts/accessories

### 13.1 Order data

In order to ensure that the ordering data you are using is not outdated, the latest ordering data is always available on the Internet:

Process instrumentation catalog (<http://www.siemens.com/processinstrumentation/catalogs>)

### 13.2 Spare parts/accessories for SITRANS P310

Selection and ordering data	Order no.
CD "sitrans p - pressure transmitters" with documentation in German/English/French/Spanish/Italian, etc.	A5E00090345
<b>HART modem</b>	
<ul style="list-style-type: none"> <li>With USB interface</li> </ul>	7MF4997-1DB <sup>1) D)</sup>

1) Available from stock

D) Subject to export regulations AL: N, ECCN, EAR99H

The spare and auxiliary parts of SITRANS P DSIII are suitable for SITRANS P310. You can therefore use the spare and auxiliary parts of SITRANS P DSIII if needed.

---

#### Note

It is prohibited to exchange measuring cells and communication electronics for SITRANS P310. You may not use the spare parts of SITRANS P DSIII for these components.

---

### 13.3 Order data for SIMATIC PDM

You can find ordering data in the Catalog FI 01 "Field devices for process automation in the Chapter "Communication and software > Software > SIMATIC PDM - Process Device Manager".



## Appendix

### A.1 Certificate

The certificates can be found on the enclosed CD and on the Internet under:

SITRANS P310 certificates on the Internet ([www.siemens.com/sitransp310certificates](http://www.siemens.com/sitransp310certificates))

### A.2 Literature and catalogs

Table A- 1

No.	Title	Publisher	Order number
/1/	Catalog ST 70 <b>SIMATIC</b> Products for Totally Integrated Automation	Siemens AG	E86060-K4670-A111-B1
/2/	Catalog ST 70 <b>NSIMATIC News</b> Products for Totally Integrated Automation	Siemens AG	E86060-K4670-A151-A3
/3/	Catalog ST 80 <b>SIMATIC HMI</b> operation and observation products	Siemens AG	E86060-K4680-A101-B4
/4/	Catalog IK PI <b>Industrial Communication</b>	Siemens AG	Internet address: IK PI Catalog ( <a href="http://www.automation.siemens.com/net/html_76/support/printkatalog.htm">http://www.automation.siemens.com/net/html_76/support/printkatalog.htm</a> ) E86060-K6710-A101-B5

### A.3 Technical support

#### Technical Support

If this documentation does not provide complete answers to any technical questions you may have, contact Technical Support at:

- Support request (<http://www.siemens.com/automation/support-request>)
- More information about our Technical Support is available at Technical support (<http://www.siemens.com/automation/csi/service>)

## Internet Service & Support

In addition to our documentation, Siemens provides a comprehensive support solution at:

- Service&Support (<http://www.siemens.com/automation/service&support>) where you will find support news, support documents including EDDs and software, and also support from experts.

## Additional Support

If you have additional questions about the device, please contact your local Siemens representative.

Find your local contact partner at:

- Partner (<http://www.automation.siemens.com/partner>)

Documentation for various products and systems is available at:

- Instructions and manuals  
(<http://www.siemens.com/processinstrumentation/documentation>)

## See also

E-mail (<mailto:support.automation@siemens.com>)

Product information on SITRANS P in the Internet (<http://www.siemens.com/sitransp>)

Process instrumentation catalog (<http://www.siemens.com/processinstrumentation/catalogs>)



## List of abbreviations

### List of abbreviations

Table B- 1 Units

Abbreviation	In full	Meaning
bar a	bar absolute	Pressure unit for absolute pressure
bar g	bar gauge	Pressure unit for gauge pressure
inH <sub>2</sub> O	inches of water	Pressure unit for gauge pressure
lb	Pfund (engl.: Pound)	Unit of weight
psi a	psi absolute	Pressure unit for absolute pressure
psi g	psi gauge	Pressure unit for gauge pressure

Table B- 2 Other abbreviations

Abbreviation	In full	Meaning
PED	Pressure Equipment Directive	
HART	Highway Addressable Remote Transducer	Standardized protocol for transmission of information between field device and automation system.
LRL	Engl.: Lower Range Limit	Lower end of the measuring range
LRV	Engl.: Lower Range Value	Lower end of the set measuring span
MA	Start of scale value	Lower end of the set measuring span
ME	Full scale value	Upper end of the set measuring span
MAWP	Engl.: Maximum Allowable Working Pressure (PS)	Maximum permissible operating pressure
NFPA	National Fire Protection Association	US - American Fire Protection Organization
F&B	Food and beverage industry	
PDM	Engl.: Process Device Manager	Tool for communication with HART devices (manufacturer: Siemens)
URL	Engl.: Upper Range Limit	Upper end of the measuring range
URV	Engl.: Upper Range Value	Upper end of the set measuring span



# Glossary

## Auxiliary power

The auxiliary power is an electric supply or reference voltage required by certain electric circuits in addition to the standard supply. For example, the auxiliary power may be particularly stabilized, have a special magnitude or polarity, and/or exhibit other properties which are of decisive importance for correct functioning of parts of the circuit.

## Auxiliary power

→ *Auxiliary power*

## EEPROM

EEPROM (Electrically Erasable Programmable Read-Only Memory) is a non-volatile electronic memory block.

EEPROMs are often used where individual bytes of data (e.g. configuration data or runtime meters) change over time and must be stored safely in the event of a power failure.

## Firmware

Firmware (FW) is software which is embedded in a chip in electronic devices – unlike software that is stored on hard drives, CD ROMs, or other media. These days, the firmware is mostly stored in a flash memory or an EEPROM.

The firmware mostly contains elementary functions to control the device, as well as input and output routines.

## Frequency shift keying

Frequency shift keying is a simple modulation method in which the digital values 0 and 1 are modulated on the actual current signal by means of two different frequencies.

## Frequency shift keying (FSK)

→ *Frequency shift keying*

## HART

HART (Highway Addressable Remote Transducer) is a standardized and widely used communication system for setting up industrial fieldbuses. This communication system enables digital communication of multiple participants (field devices) using a common data bus. HART implements the widely used 4/20 mA standard to transfer analog sensor signals. Existing cables of the old system can be used directly and both systems can be operated simultaneously.

HART specifies several protocol levels in the OSI model. HART enables transfer of process and diagnostics information and control signals between field devices and the higher-level control system. Standardized parameter sets can be used for manufacturer-independent operation of all HART devices.

Typical applications are transmitters for the measurement of mechanical and electrical variables.

**MAWP (PS)**

Maximum Allowable Working Pressure (PS)

**Non-volatile memory**

→ *EEPROM*

**srl<sub>i</sub>2**

→ *srlin<sub>2</sub>*

**srlin<sub>2</sub>**

"srl<sub>i</sub>2" or "srlin<sub>2</sub>" is a type of square root extracting characteristic curve for the output current. This characteristic curve type is proportional to the flow rate, linear in two levels up to the application point and has a pre-defined application point of 10%.

"srl<sub>i</sub>2" or "srlin<sub>2</sub>" are synonymous and technically there is no difference between them. The abbreviation "srl<sub>i</sub>2" is used in sections that refer to the on-site operation of the pressure transmitter. The reason for the abbreviation is that the pressure transmitter display is restricted to five characters. The abbreviation "srlin<sub>2</sub>" is used for HART operation.

# Index

## A

- Additional Support, 178
- Ambient temperature, 162, 163
  - Effect, 160, 161
- Analog output, 103
- Analog output block, 103
- Analog output stage, 91
- Appendix, 177
- Approval plate, (Layout of nameplate with approval information)
- Arrow display, 60

## B

- Bar graph, 111
- Blind adjustment, 106
- Bridge output voltage, 28, 29
- button and function lock
  - Activate, 125

## C

- Calibration
  - Current transmitter, 113
  - Sensor, 111
- Certificate, 177
- Certificates, 18
- Certification, 177
- Characteristic curve
  - lin, 82
  - srlin, 82
  - srlin2, 82
  - sroff, 82
- Characteristics
  - Safety, 124
- Configuration data, 115, 115
- Constant current operation, 78, 107
- Correct usage, (See improper device modifications)
- Current limit, 108
- Current simulator, 78
- Current transmitter, 107
- Customer Support Hotline, 177

## D

- Device
  - Electrostatic-sensitive, 20, 150
- Device variable, 61, 99
  - DV, 92
- Diagnostic interrupt, 107, 117
- Diagnostic warning, 117
- Differential pressure, 22, 82, 116
- Direct sunlight, 37
- Display of unit, 58
- Downscaling, 65, 65
- DV
  - Device variable, 92
- Dynamic variable (DV), 91

## E

- Electrical damping, 106
- Electromagnetic compatibility, 162, 163
- Electronics, 125
- Electrostatic-sensitive device (ESD), 20, 150
- EMC, 162, 163
- Error display, 58

## F

- Factory calibration, 114
- Failure current, 107
- Fast recording of measured values, 107
- Fast Response Mode, 107
- Filling liquid, 28
- Firmware, 13
- Full scale value
  - Set, 65, 65

## H

- HART
  - Modem, 21
- HART communicator, 89
- Hazardous area
  - Laws and directives, 18
- History, 13
- Hotline, 177

## I

Improper device modifications, 18  
Input scaling, 94, 96, 99  
Install  
    Remote seal, 42  
Installation, 39, 39, 39  
Internet, 178

## K

Keyboard lock, 80

## L

L (level), 94  
Layout of nameplate with general information, 24  
LCD scaling, 104  
lin, 82, 116  
Load, 159

## M

MA  
    Start of scale value, 92  
Mapper, 91, (Also see: Variable mapper)  
Mass, 93, 95  
MAWP, 179  
ME  
    Full scale value, 92  
Measured value display, 64, 85  
Measured value status, 100  
Measuring cell  
    Differential pressure and flow rate, 29  
    Gauge pressure, 28  
Measuring mode, 65, 65, 90, 91, 95  
Measuring mode selector, 91, 91  
Message  
    OVER, 61  
    UNDER, 61  
Mounting bracket, 40  
MTTR, 124  
multi-channel operation, 120  
MWP, (See MAWP)

## N

Nameplate, 24

## O

operation  
    Local, 65  
Output scaling, 94, 97, 99  
Output scaling, 94, 97, 99

## P

Pairs of min/max pointer, 118  
Pairs of values, 97, 99  
Position correction, 77, 77  
Pressure unit, 110  
Primary variable, 61, 84  
Process connection, 24  
Proof test, 124  
PV  
    Primary variable, 84, 92  
PV  
    Primary variable, 84, 92

## Q

Qualified personnel, 19  
QV  
    Quarternary variable, 92

## R

Remote seal  
    Description, 30  
    Install, 42  
    Maintenance, 152  
Root application point, 83, 96

## S

Safety  
    Checking, 124  
Safety function, 119  
safety-relevant  
    Parameter, 123  
Saturation limit, 107  
Scope of delivery, 14  
sensor calibration, 111  
Service, 178  
Shut-off valve, 138, 140, 143, 144, 145  
Signal range, 61  
SIL 3, 120  
Simulation, 118  
Span, 65, 65

srlin, 82, 116  
srlin2, 82, 116  
sroff, 82, 116  
Stabilizing valve, 141, 141, 143, 145  
Start of scale value  
    Set, 65, 65  
Structure, 23  
Support, 178  
SV  
    Secondary variable, 92

## T

Test certificates, 18  
Trimming  
    lower trim point, 112  
    upper trim point, 112  
Turning range, 46  
TV  
    Tertiary variable, 92

## V

Variable mapper, 91, 91  
Vent valve, 116, 143, 145  
Volume, 95

## W

Write protection, 80, 125

## Z

Zero point calibration, 77, 77, 106

## Get more information

[www.siemens.com/processautomatisierung](http://www.siemens.com/processautomatisierung)  
[www.siemens.com/processinstrumentierung](http://www.siemens.com/processinstrumentierung)

Siemens AG  
Process Industries and Drives  
Process Automation  
76181 Karlsruhe  
GERMANY

Subject to change without prior notice  
A5E32840538-04  
© Siemens AG 2015



A5E32840538



A5E32840538

[www.siemens.com/automation](http://www.siemens.com/automation)