

Load Cells

Single point load cells
SIWAREX WL260 SP-S AB

Load cell

Overview



The load cell is suitable for small to medium platform scales with one load cell and platform size up to 600 x 600 mm (23.62 x 23.62 inch) as well as for use in medium accuracy weighing machines of Class III with a max. division $n_{\max} = 3\,000$.

Design

The load cell is hermetically sealed.

Technical specifications

SIWAREX WL260 SP-S AB	
Possible applications	<ul style="list-style-type: none"> Platform scales Belt scales
Type of construction	Single point load cell
Loads	
Rated load E_{\max}	<ul style="list-style-type: none"> 50 kg (110.23 lb) 75 kg (165.35 lb) 100 kg (220.46 lb) 150 kg (330.69 lb) 200 kg (440.92 lb) 300 kg (661.37 lb) 500 kg (1 102.31 lb)
Minimum initial loading E_{\min}	0 kg
Maximum working load L_U	150% E_{\max}
Breaking load L_d	300% E_{\max}
Safe side load L_{iq}	100% E_{\max}
Measurement characteristic values	
Deflection h_n at E_{\max}	< 1.22 mm (0.048 inch)
Rated characteristic value C_n	2.0 ± 0.2 mV/V
Tolerance D_0 of zero signal	< ± 2% C_n
Maximum scale interval n_{ic}	3 000
Minimum scale interval V_{\min}	$E_{\max}/10\,000$
Combined error F_{comb}	± 0.02% C_n
Repeatability F_v	± 0.017% C_n
Creep error F_{cr}	± 0.02% C_n
• 30 min	
Temperature coefficient	
• Zero signal T_{K0}	0.017% $C_n/5\text{ K}$
• Characteristic value T_{Kc}	0.014% $C_n/5\text{ K}$
Electrical characteristic values	
Recommended input voltage	5 ... 12 V DC
Input resistance R_e	409 Ω ± 6 Ω
Output resistance R_a	350 Ω ± 3 Ω
Insulation resistance R_{is}	5 000 MΩ at 50 V DC
Connection and ambient conditions	
Sensor material (DIN)	Aluminum
Maximum tightening torque of the fixing screws	35 ... 40 Nm
Rated temperature range B_{Tn}	-10 ... +40 °C (14 ... 104 °F)

SIWAREX WL260 SP-S AB

Operating temperature range B_{TU}	-35 ... +65 °C (-31 ... +149 °F)
Storage temperature range B_{TS}	-35 ... +65 °C (-31 ... +149 °F)
Degree of protection according to EN 60529, IEC 60529	IP65

Cable connection

Function	Color
• EXC + (supply +)	Red
• EXC - (supply -)	Black
• SIG + (measured signal +)	Green
• SIG - (measured signal -)	White
• Sense + (sensor cable +)	Blue
• Sense - (sensor cable -)	Brown
• Shield (not connected to the load cell body)	Transparent

Certificates and approvals

Accuracy class according to OIML R-60	C3 ¹⁾
---------------------------------------	------------------

¹⁾ SIWAREX WL260 SP-S AB is not approved for legal-for-trade operation.

Selection and ordering data

Article No.

Load cell, type WL260 SP-S AB

Connecting cable 3 m (9.84 ft)

7MH5103-
D 0 0

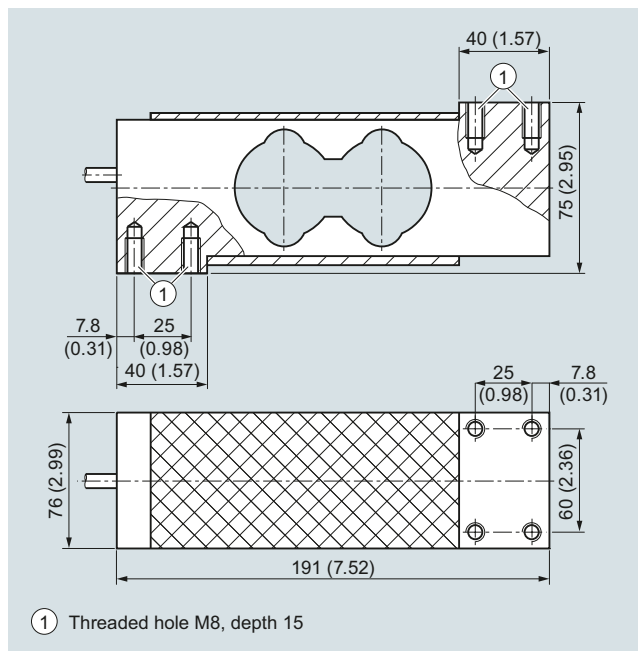
Click on the Article No. for the online configuration in the PIA Life Cycle Portal.

Rated load

- 50 kg (110.23 lb)
- 75 kg (165.35 lb)
- 100 kg (220.46 lb)
- 150 kg (330.69 lb)
- 200 kg (440.92 lb)
- 300 kg (661.37 lb)
- 500 kg (1 102.31 lb)

2 P
2 S
3 A
3 E
3 G
3 K
3 P

Dimensional drawings



SIWAREX WL 260 SP-S AB load cell, dimensions in mm (inch)