

Level Measurement

Continuous level measurement
Ultrasonic controllers

MultiRanger 200 HMI

Overview



MultiRanger 200 HMI is a versatile short to medium-range ultrasonic single and multi-vessel level monitor/controller for virtually any application in a wide range of industries.

Benefits

- Easy to use HMI display with local four-button programming, menu-driven parameters, and Wizard support for key applications
- English, German, French, Spanish, Chinese, Italian, Portuguese, and Russian texts on the HMI
- Removable terminal blocks for ease of wiring
- Digital input for back-up level override from point level device
- Communication using built-in Modbus RTU via RS 485 and SIMATIC PDM configuration software
- Compatible with SmartLinx system: PROFIBUS DP, PROFINET (cyclic access of process values only), DeviceNET, Modbus TCP/IP, and EtherNet/IP
- Single or dual point level monitoring
- Auto False-Echo Suppression for fixed obstruction avoidance
- Differential amplifier transceiver for common mode noise reduction and improved signal-to-noise ratio
- Level, volume, and flow measurements in open channels, differential control, extended pump control, and alarm functions
- Wall and panel mounting options

Application

MultiRanger 200 HMI can be used with various materials, including, water, municipal waste, acids, woodchips, or on materials with high angles of repose. MultiRanger 200 HMI offers true dual point monitoring, digital communications with built-in Modbus RTU via RS 485, as well as compatibility with SIMATIC PDM, allowing PC configuration and set-up. MultiRanger 200 HMI features Sonic Intelligence advanced echo-processing software for increased reading reliability.

MultiRanger 200 HMI will monitor open channel flow and features more advanced relay alarming and pump control functions as well as volume conversion.

It is compatible with chemical-resistant EchoMax transducers that are approved for hostile environments.

- Key Applications: wet wells, flumes/weirs, bar screen control, hoppers, chemical storage, liquid storage, crusher bins, dry solids storage

Design

The MultiRanger 200 HMI is available in wall or panel mounting options.

Technical specifications

| Mode of Operation | |
|-----------------------------------|--|
| Measuring principle | Ultrasonic level measurement |
| Measuring range | 0.3 ... 15 m (1 ... 50 ft) |
| Measuring points | 1 or 2 |
| Input | |
| Analog | 0 ... 20 mA or 4 ... 20 mA, from alternate device, scalable |
| Discrete | 10 ... 50 V DC switching level Logical 0 ≤ 0.5 V DC Logical 1 = 10 ... 50 V DC max. 3 mA |
| Output | |
| EchoMax transducer | 44 kHz |
| Ultrasonic transducer | Compatible transducers: ST-H and EchoMax series XPS-10, XPS-15/15F, and XRS-5 |
| Relays | Rating 5 A at 250 V AC, non-inductive |
| mA output | 0 ... 20 mA or 4 ... 20 mA |
| • Max. load | 750 Ω, isolated |
| • Resolution | 0.1 % of range |
| Accuracy | |
| Error in measurement | 0.25 % of range or 6 mm (0.24 inch), whichever is greater |
| Resolution | 0.1 % of measuring range ¹⁾ or 2 mm (0.08 inch), whichever is greater |
| Temperature compensation | <ul style="list-style-type: none"> • -50 ... +150 °C (-58 ... +302 °F) • Integral temperature sensor • External TS-3 temperature sensor (optional) • Programmable fixed temperature values |
| Rated operating conditions | |
| Installation conditions | |
| • Location | Indoor/outdoor |
| • Installation category | II |
| • Pollution degree | 4 |
| Ambient conditions | |
| • Ambient temperature (housing) | -20 ... +50 °C (-4 ... +122 °F) |

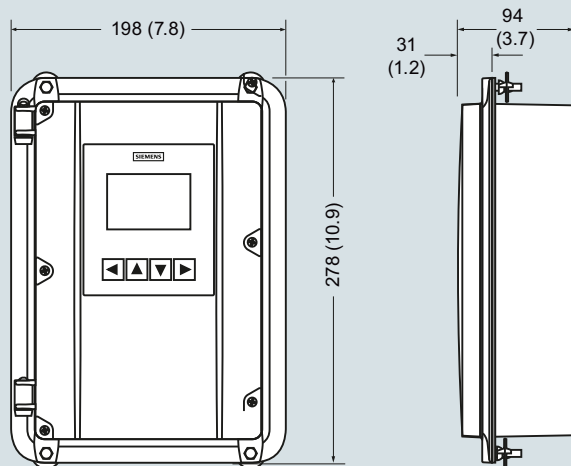
| Design | |
|--|---|
| Weight | |
| • Wall mount | 1.22 kg (2.68 lb) |
| • Panel mount | 1.35 kg (2.97 lb) |
| Material (enclosure) | Polycarbonate |
| Degree of protection (enclosure) | |
| • Wall mount | IP65/Type 4X/NEMA 4X |
| • Panel mount | IP54/Type 3/NEMA 3 |
| Electrical connection | |
| • Transducer and mA output signal | 2-core copper conductor, twisted, shielded, 0.5 ... 0.75 mm ² (22 ... 18 AWG), Belden 8760 or equivalent is acceptable |
| • Max. separation between transducer and transceiver | 365 m (1 200 ft) |
| Displays and controls | |
| | 60 x 40 mm (2.36 x 1.57 inch) LCD 240 x 160 pixels resolution |
| Power supply | |
| AC version | 100 ... 230 V AC ± 15 %, 50/60 Hz, 36 VA (17 W) |
| DC version | 12 ... 30 V DC (20 W) |
| Certificates and approvals | |
| | <ul style="list-style-type: none"> • CE, RCM, EAC, KCC²⁾ • FM, CSA_{US/C}, UL • CSA Class I, Div. 2, Groups A, B, C, and D, Class II, Div. 2, Groups F and G, Class III (wall mount only) |
| Communication | |
| | <ul style="list-style-type: none"> • RS 232 with Modbus RTU or ASCII via RJ-11 connector • RS 485 with Modbus RTU or ASCII via terminal strips • Optional: SmartLinX cards for <ul style="list-style-type: none"> - PROFIBUS DP-V1, PROFINET (cyclic access of process values only) - DeviceNet, Modbus TCP/IP, EtherNet/IP |

¹⁾ Program range is defined as the empty distance to the face of the transducer plus any range extension

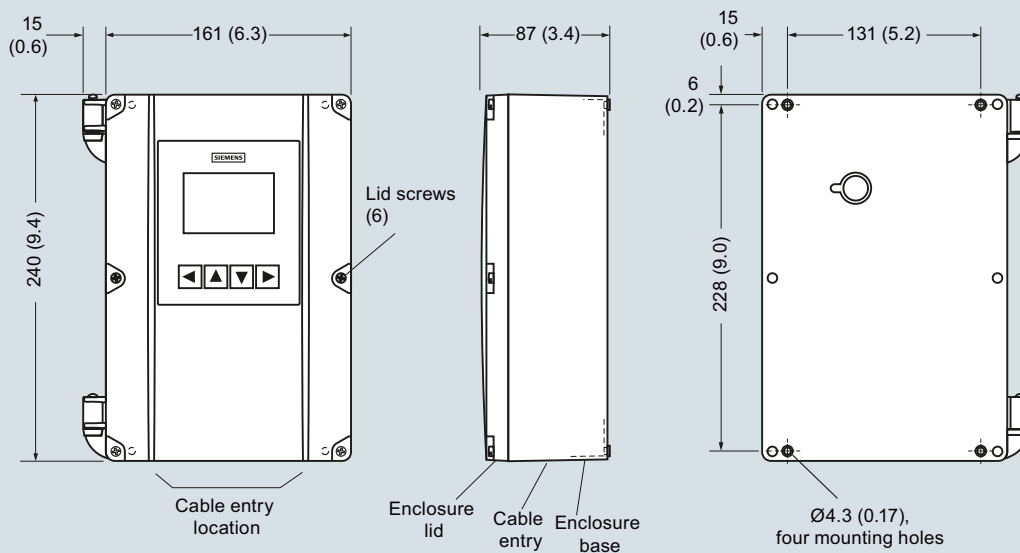
²⁾ EMC performance available on request

Dimensional drawings

Panel mount dimensions



Wall mount dimensions



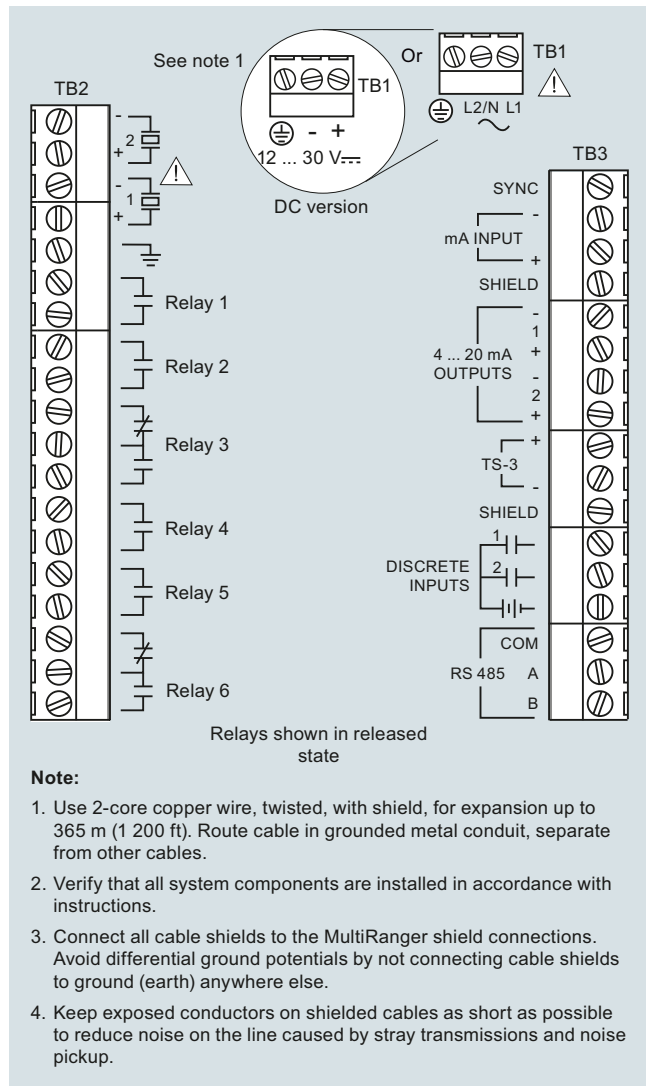
MultiRanger 200 HMI, dimensions in mm (inch)

Level Measurement

Continuous level measurement
Ultrasonic controllers

MultiRanger 200 HMI

Circuit diagrams



MultiRanger 200 HMI connections