

October 2020

**SIEMENS**

*Ingenuity for life*

# Power Product Catalogue

Low voltage electrical distribution  
products

2019  
Canadian  
Edition

[siemens.ca/powercat](https://www.siemens.ca/powercat)

# Reliable Products From The Technology Leader

## Technology Enabling Reliability.

When it comes to ready availability, easy installation, and fewer callbacks, you need a manufacturer you can trust. Our products and systems are engineered to take on the most demanding conditions, always available day after day.

### RESIDENTIAL



### COMMERCIAL



### INDUSTRIAL



- 1 **Loadcentres**
- 2 **Meter Centres**
- 3 **Safety Switches**
- 4 **Disconnect Switches**
- 5 **Molded Case Circuit Breakers**
- 6 **WL Power Circuit Breakers**
- 7 **Dry Type Transformers**
- 8 **Power Monitoring**
- 9 **Surge Protection Devices (SPDs)**
- 10 **Panelboards**
- 11 **Switchboards**
- 12 **Switchgear**
- 13 **Busway Systems**
- 14 **Motor Control Centres**
- 15 **Low Voltage Motor Starters**
- 16 **Electric Vehicle Charging Products**
- 17 **Electrostrip**
- 18 **Technical**

Detailed Table of Contents  
located at beginning of each section



# Contents

Application and Description	1-2
Product Offering and Specification Guide	1-3
Product Features and Customer Benefits	1-4
Catalogue Numbering System	1-5
<b>EQ1 &amp; SEQ Single phase Loadcentres</b>	
EQ1 Loadcentres with main lug only	1-6
SEQ Service Entrance Loadcentres	1-6
EQ1 Loadcentre Type 3R	1-7
SEQ Service Entrance Loadcentres Type 3R	1-7
SEQ Dual Listed/cULus Loadcentres	1-8
<b>EQ3 Single phase &amp; EQ4 Three phase Loadcentres</b>	1-9
<b>SPA panel, Mini panels and Enclosed Breaker</b>	1-10
<b>EQG Generator Panels</b>	
EQG 3 Pole	1-11
EQG 2 Pole	1-11
<b>Plug in Branch Breakers Type Q</b>	
Full Module (1" per pole)	1-12
Half Module (1/2" per pole): Twin and Quad Type	1-12
<b>Surge Arrester Breakers</b>	1-13
<b>Replacement Main Breakers</b>	1-13
<b>Arc Fault Interrupters</b>	1-14
<b>Ground Fault Interrupters</b>	1-14
<b>Bolt-On Branch Breakers Type BQ</b>	
Full Module (1" per pole)	1-15
<b>Blue Line Breakers</b>	1-15
<b>Accessories and Replacement Parts</b>	1-16 – 1-18
<b>Surge Protection</b>	
Power Service Entrance Surge Protection	1-19
Telephone Service Entrance Surge Protection	1-20
Coaxial Service Entrance Surge Protection	1-20
<b>Knockout Data for Loadcentres</b>	1-21 – 1-22
<b>Line Diagrams/Dimension Drawings for Breakers</b>	1-23
<b>Lug Data</b>	1-23
<b>Notes</b>	1-24

# Loadcentres

## Applications and Descriptions

*Description*

No. Applications	Products
1 Miscellaneous Applications  Standard Main Lugs Only Panel	  EQL Loadcentre-Indoor & Outdoor Type
2 Single Family	SEQ Loadcentre – Indoor & Outdoor Type
3 Duplex Units, Small Apartment Building, Small Professional and Commercial Building (Two to Six Units Maximum)	a) SEQ Service Entrance Equipment – Indoor & Outdoor Type b) EQL Main Lugs Loadcentre – Indoor & Outdoor Type
4 Office Building/Condo/Apartment Building (3Ø Application)	a) Switchboards b) Busways c) Modular Metering d) EQ4 Loadcentres Main Lug only or Main Breaker
5 Small Industrial/Commercial Building (3Ø Application)	a) Switchboards b) Busways c) 3Ø Modular Metering d) EQ4 Loadcentres Main Lug Only or Main Circuit Breaker

A loadcentre is a metal enclosed distribution panel containing circuit breakers which distribute, protect and control lighting and power circuits in residential and light commercial applications, including single-family homes, townhouses, apartment buildings, and small office buildings.

All Siemens loadcentres can be classified into two types: main lug or main circuit breaker. Each Siemens loadcentre consists of three basic components: the enclosure, the interior, and the trim. The enclosure is used to contain the circuit breakers which mount on the interior. The trim seals the enclosure, offering protection to personnel from the environment.

A complete line of breakers and accessories which give Siemens loadcentres flexibility. For example, Ground Fault Interrupters protect personnel, an important consideration with the stress placed on personnel protection by the CEC. Handle ties, handle blocking devices, padlocking devices and filler plates are also available. Neutral lug kits in a variety of wire range sizes.



**Included into all Loadcentres and Q Breakers**

# Loadcentres

## Product Offering and Specification Guide

*Description*

### Application

#### Main lug loadcentre

- 1 Phase 3 W 120/240V, 60 to 200A, 2/4 - 40/80 circuits
- 3 Phase 4W 120/208V, 100 to 225A, 12 - 42 circuits
- Outdoor Type 3R, 1 Phase 3 W, 120/240V, 100 to 200A, 8/16 - 40/80 circuits

#### Main breaker loadcentre

- 1 Phase 3 W 120/240V, 60 to 200A, 12/24 - 60/120 circuits
- 3 Phase 4W 120/208V, 100 to 200A, 24 - 42 circuits
- Outdoor Type 3R, 1 Phase 3 W 120/240V, 100 to 200A, 16/32 - 40/80 circuits
- Dual certified loadcentre 1 Phase 3 W 120/240V, 100 to 200A, 38 circuits

#### Generator panel

- Generator panel 3 Pole 1 Phase 3 W 120/240V, 30 to 100A, 6/12- 34/68 circuits
- Generator panel 2 Pole 1 Phase 3 W 120/240V, 30 to 100A, 8/16 - 36/72 circuits

#### SPA panel

- Type 3R, 1Phase 3 W 120/240V, 125A, 4/8 circuits

#### Mini panel/ Enclosed breaker,

- Indoor, 1Phase 3 W 120/240V, 60 & 125A, 2 circuits
- Outdoor Type 3R, 1 Phase 3 W 120/240V, 60 & 125A, 3 & 2/4 - 4/8 circuits

#### Circuit breaker

Plug-in

Interrupting rating of 10kA

- Full module
  - 1 Pole 15-70 Amp
  - 2 Pole 15-200 Amp
  - 3 Pole 15-100 Amp
- Half module
  - Twin: two single-pole, 15-15 to 40-15 Amp
  - Quad: two single-pole and one 2-pole inner breaker, 15-15 to 15-40 Amp

Bolt-on

Interrupting rating of 10kA & 22kA

- Full module
  - 1 Pole 15-70 Amp
  - 2 Pole 15-125 Amp
  - 3 Pole 15-100 Amp

Ground fault circuit interrupter

- 1 and 2 Pole, 15- 60A, 5 and 30mA sensitivity

Arc fault circuit interrupter

Interrupting rating of 10kA & 22kA

- 1 Pole, 15 and 20 Amp

Surge arrester breakers

- Two single pole breakers and one surge arrester, 15 and 20 Amp

Surge protection device (SPD)

- Power service entrance surge protection
- Telephone service entrance surge protection
- Coaxial service entrance surge protection

### Specification Guide - Loadcentres

Loadcentre enclosures and trims are formed of cold rolled, code gauge steel. All devices are finished with ANSI 61 grey paint (electro deposition painting process).

The combination flush/surface trim is flat and plumb in appearance. The Siemens Type 3R loadcentre features industry exclusive gasketed door for improved weatherproof protection. The enclosures and interiors provide 4<sup>1/4</sup>" (108 mm) side wiring gutters for branch circuits. Main bus bars are formed of cold rolled, one piece tin plated (acid bath tin, zincate process) aluminum. Copper bus is also available. Main lugs, neutral assemblies, and ground bars are suitable for copper or aluminum conductors and comply with the requirements of CSA. The extended capacity fully distributed neutrals give a neutral termination at every breaker position, and is mounted, along with bus bars, on a base part made of engineered resin. CSA listed for 60/75YC wiring applications; ratings are as follows: loadcentre main terminals 60/75YC cu/al wire; branch breaker terminals-60/75YC cu/al wire. All loadcentres are CSA listed under file #13069.

Individual circuit breakers are thermal magnetic, quick-make quick-break, trip free, plug-in construction. All two and three pole breakers are common trip. All circuit breakers are CSA listed under file #14374.

\*Series rating labels on all loadcentres.



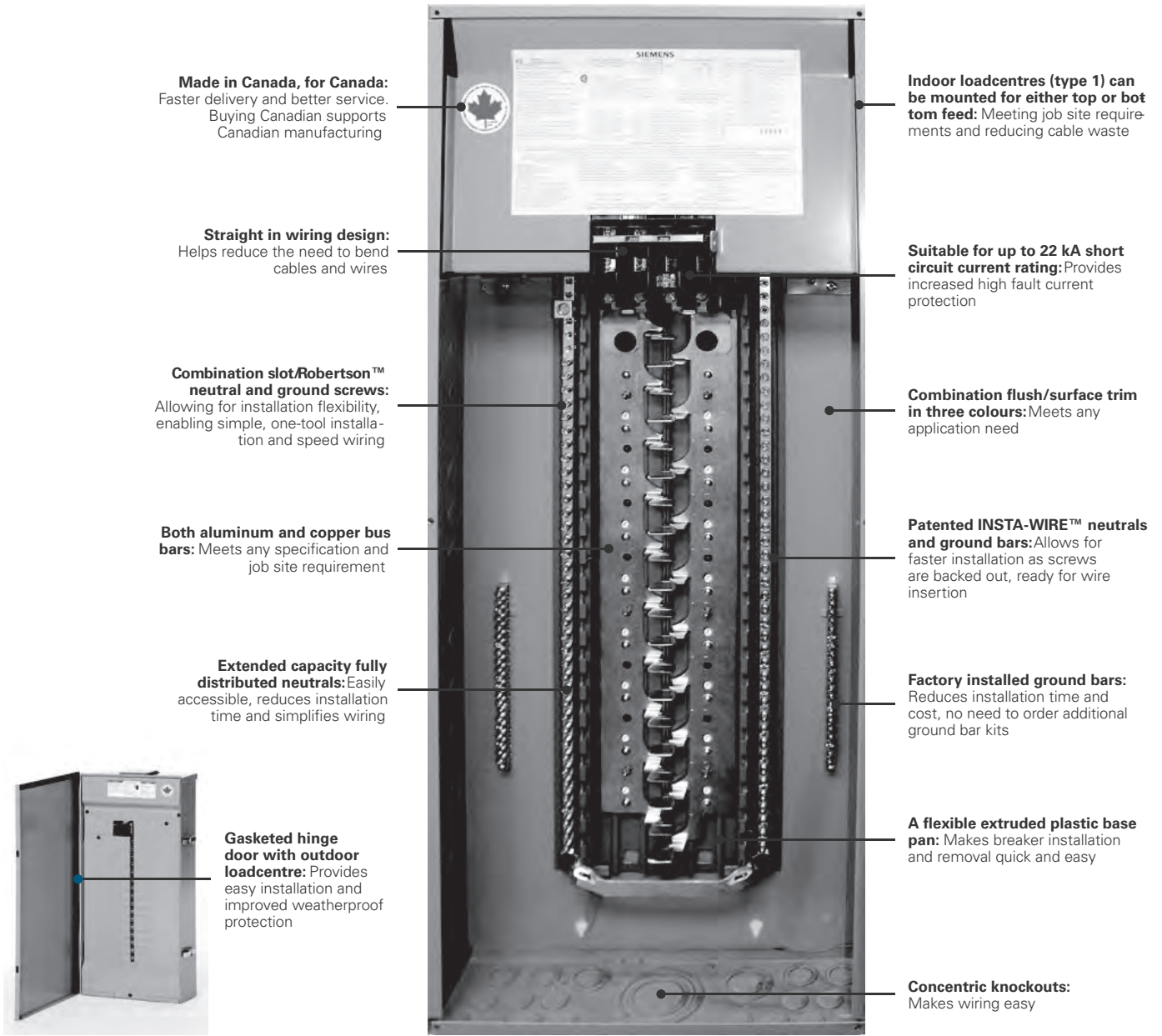


# Loadcentres

## Product Features and Customer Benefits

1

LOADCENTRES



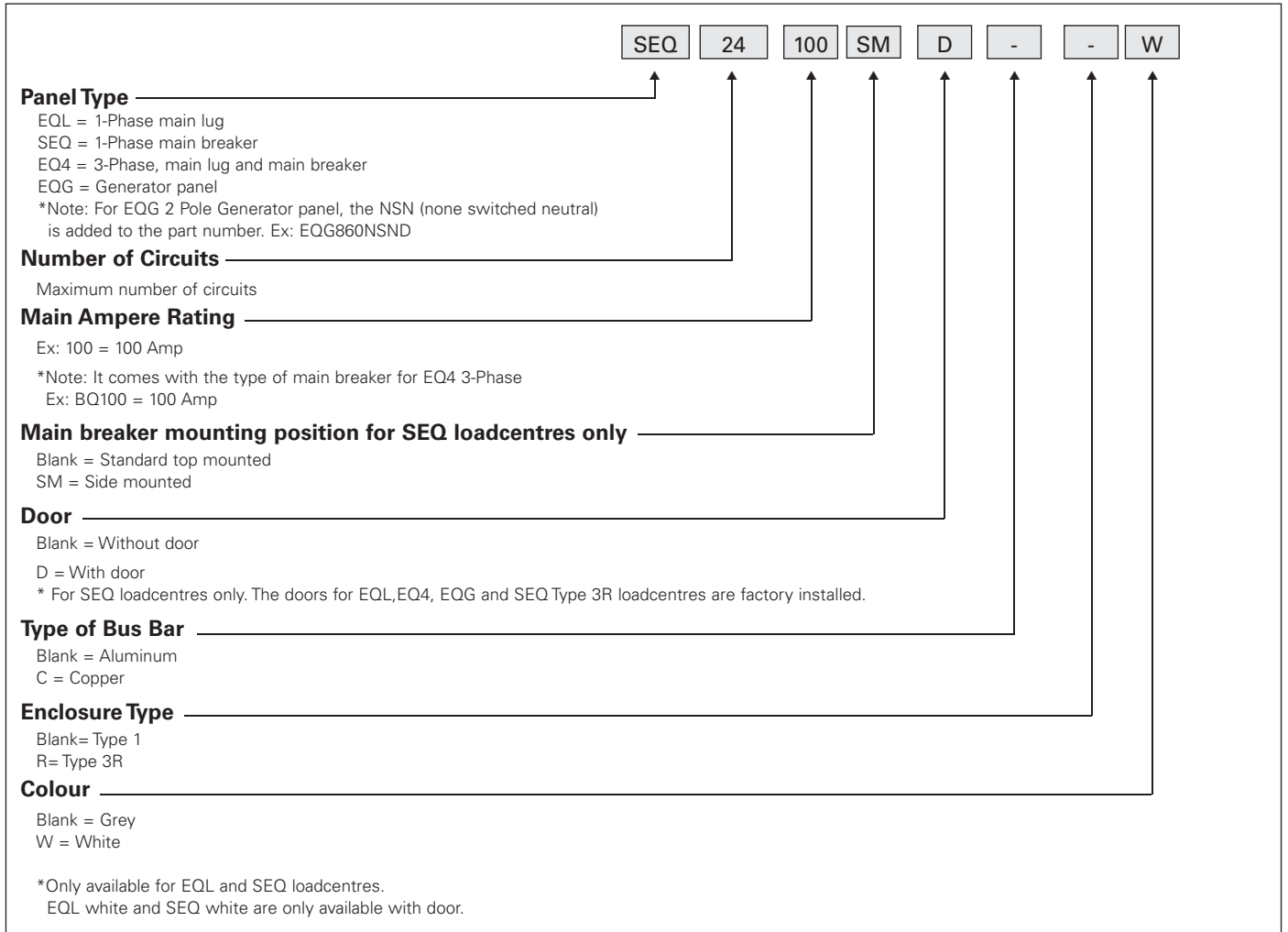
## Features and Benefits

Siemens provides the broadest product portfolio related to single and multifamily applications. Flexibility, innovation and quality are the hallmarks of Siemens products for single and multi-family applications providing the customer with unmatched value. One example is our quick-make quick-break circuit breakers which give homeowners peace of mind and fast acting circuit protection. Our whole house surge protection solutions, arc fault and ground fault circuit interrupters provide additional protection against the risks of electrocution, fire hazard and property damage. With the comprehensive selection of options and accessories, Siemens loadcentres and breakers are the smart choice for the conscientious customer.

# Loadcentres

## Catalogue Numbering System

### Catalogue Numbering System<sup>①</sup>



<sup>①</sup> The Catalogue numbering system applies only to EQL, EQL Type 3R, SEQ, SEQ Type 3R, EQ4 and EQG loadcentres.

# Loadcentres

## EQL & SEQ Single Phase Main Lug & Main Breaker Loadcentres

Selection  
**INSTA WIRE™**

### Selection and Ordering Data

LOADCENTRES



EQL24125D



SEQ40200

EQL Loadcentres with main lugs only 1 phase 3 wire 240 V AC max.										
Number of Circuits	Catalogue Number	Skid Qty.	Main Amps	Dimensions - Inches (mm)			Lug Data	Mounting Trim	Door Kit Catalogue Number	Factory Mod.
				H	W	D				
2/4	EQL260S	330	60	7 (178)	5 (127)	2 <sup>3</sup> / <sub>4</sub> (70)	3	surface	N/A	N/A
4/8	EQL4100	90	100	12 <sup>5</sup> / <sub>8</sub> (322)	6 <sup>5</sup> / <sub>8</sub> (168)	3 <sup>1</sup> / <sub>2</sub> (90)	1	comb.	N/A	N/A
8/16	EQL8100D*	72	100	14 <sup>7</sup> / <sub>8</sub> (378)	12 (305)	3 <sup>3</sup> / <sub>4</sub> (95)	4-2/0	comb.	DK8-A	N/A
12/24	EQL12125D <sup>Ⓢ</sup>	45	125	16 <sup>7</sup> / <sub>8</sub> (429)	12 (305)	3 <sup>3</sup> / <sub>4</sub> (95)	4-2/0	comb.	DK12-A	①
16/32	EQL16125D <sup>Ⓢ</sup>	45	125	18 <sup>7</sup> / <sub>8</sub> (479)	12 (305)	3 <sup>3</sup> / <sub>4</sub> (95)	4-2/0	comb.	DK16-A	①
24/48	EQL24125D <sup>Ⓢ</sup>	36	125	24 <sup>1</sup> / <sub>8</sub> (613)	13 <sup>1</sup> / <sub>32</sub> (331)	3 <sup>3</sup> / <sub>4</sub> (95)	4-2/0	comb.	DK24-A	①
32/64	EQL32200D	27	200	33 (838)	14 <sup>1</sup> / <sub>4</sub> (362)	4 (102)	6-250 MCM	comb.	DKL32-2A	①
40/80	EQL40200D	27	200	33 (838)	14 <sup>1</sup> / <sub>4</sub> (362)	4 (102)	6-250 MCM	comb.	DKL40-2A	①
<b>Note:</b> EQL8100D through EQL40200D are stocked complete with doors *Neutral bar only on one side of panel.										
Service Entrance Loadcentres with Factory installed main breaker 1 phase 3 wire 240 V AC max.										
12/24	SEQ12060SM	54	60	17 <sup>5</sup> / <sub>8</sub> (448)	13 <sup>1</sup> / <sub>8</sub> (333)	3 <sup>3</sup> / <sub>4</sub> (95)	6-2/0	comb.	DK1216SM-1	①
16/32	SEQ16060SM <sup>Ⓢ</sup>	36	60	19 <sup>5</sup> / <sub>8</sub> (498)	13 <sup>1</sup> / <sub>8</sub> (333)	3 <sup>3</sup> / <sub>4</sub> (95)	6-2/0	comb.	DK1216SM-1	①
24/48	SEQ24060SM <sup>Ⓢ</sup>	36	60	24 <sup>1</sup> / <sub>8</sub> (613)	13 <sup>1</sup> / <sub>8</sub> (333)	3 <sup>3</sup> / <sub>4</sub> (95)	6-2/0	comb.	DK24SM-1	①
12/24	SEQ12100SM	54	100	17 <sup>1</sup> / <sub>2</sub> (444)	13 <sup>1</sup> / <sub>8</sub> (333)	3 <sup>3</sup> / <sub>4</sub> (95)	4-2/0	comb.	DK1216SM-1	①
16/32	SEQ16100SM	36	100	19 <sup>1</sup> / <sub>2</sub> (494)	13 <sup>1</sup> / <sub>8</sub> (333)	3 <sup>3</sup> / <sub>4</sub> (95)	4-2/0	comb.	DK1216SM-1	①
24/48	SEQ24100SM <sup>Ⓢ</sup>	36	100	24 <sup>1</sup> / <sub>8</sub> (613)	13 <sup>1</sup> / <sub>8</sub> (333)	3 <sup>3</sup> / <sub>4</sub> (95)	4-2/0	comb.	DK24SM-1	①
24/48	SEQ24100SMK <sup>■</sup>		125							
24/48	SEQ24125SM <sup>Ⓢ</sup>									
24/48	SEQ24150 <sup>Ⓢ</sup>	27	150	27 (686)	14 <sup>1</sup> / <sub>4</sub> (362)	4 (102)	6-250 MCM	comb.	DKS24-2A	①
	SEQ24200	27	200	33 (838)	14 <sup>1</sup> / <sub>4</sub> (362)	4 (102)	6-250 MCM	comb.	DKS24-2A	①
32/64	SEQ32100SM	27	100	27 <sup>1</sup> / <sub>8</sub> (689)	13 <sup>1</sup> / <sub>8</sub> (333)	3 <sup>3</sup> / <sub>4</sub> (95)	4-2/0	comb.	DK32SM-1	①
	SEQ32125SM	27	125	33 (838)	14 <sup>1</sup> / <sub>4</sub> (362)	4 (102)	6-250 MCM	comb.	DKS32-2A	①
32/64	SEQ32150	27	150	33 (838)	14 <sup>1</sup> / <sub>4</sub> (362)	4 (102)	6-250 MCM	comb.	DKS32-2A	①
	SEQ32200	27	200	33 (838)	14 <sup>1</sup> / <sub>4</sub> (362)	4 (102)	6-250 MCM	comb.	DKS32-2A	①
40/80	SEQ40100	27	100	36 (914)	14 <sup>1</sup> / <sub>4</sub> (362)	4 (102)	6-250 MCM	comb.	DKS40-1A	①
	SEQ40125	27	125	36 (914)	14 <sup>1</sup> / <sub>4</sub> (362)	4 (102)	6-250 MCM	comb.	DKS40-1A	①
40/80	SEQ40150	27	150	36 (914)	14 <sup>1</sup> / <sub>4</sub> (362)	4 (102)	6-250 MCM	comb.	DKS40-2A	①
	SEQ40200 <sup>Ⓢ</sup>	27	200	36 (914)	14 <sup>1</sup> / <sub>4</sub> (362)	4 (102)	6-250 MCM	comb.	DKS40-2A	①
60/120	SEQ60200	18	200	46 (1168)	14 <sup>1</sup> / <sub>4</sub> (362)	4 (102)	6-250 MCM	comb.	N/A	N/A
<sup>■</sup> Standard SEQ24100SMK with additional knockouts to bottom plate										

**Note:** Comb= Combination Flush/Surface mounted Certified for use with any combination of full or half module plug-in circuit breakers. Certified for mounting vertical, horizontal or inverted and for use with CU/AL conductors including compact stranded. All neutral bar connectors are No. 14 - No.4.

Typical circuit rating (ie. 24/48) indicates the circuit capacity of the loadcentre is 24 full module (1") breaker of 48 half-module (1/2") breakers.

Ⓢ For copper bus add suffix C to existing part number. 4 weeks delivery required.

① Factory modification, see next page.



# Loadcentres

## EQL & SEQ Single Phase Main Lug & Main Breaker Loadcentres

### Selection and Ordering Data



LOADCENTRES

Type	Description	Catalogue Number	Example	Delivery
EQL	White door and trim	add suffix... <b>W</b>	EQL24125DW	2 weeks
SEQ	Grey door installed White door and trim	add suffix... <b>D</b> add suffix... <b>DW</b>	SEQ24125SMD SEQ24125SMDW	
Door Kit	White Door kit	add suffix... <b>W</b>	DK24SM-1W	
<b>Note:</b> All door kits are available in Grey and White colours.				
EQL	Copper Bus	add suffix... <b>C</b>	EQL24125DC	4 weeks

Weatherproof Loadcentre Main Lug Only, 1 phase 3 wire 120/240V AC max.											
Number of Circuits	Catalogue Number	Skid Qty.	Main Amps	Dimensions - Inches (mm)			Lug Data	Mounting Trim	Factory Mod.	Hubs (sold separately)	
				H	W	D				Conduit size (")	Catalogue Number
8/16	EQL8100DCR*	42	100	177/8 (455)	133/4 (349)	5 (127)	14-2/0	surface only	N/A	3/4 1 1 1/4 1 1/2 2 2 1/2	ECHS075 ECHS100 ECHS125 ECHS150 ECHS200 ECHS250
12/24	EQL12125DCR	35	125	197/8 (505)	133/4 (349)	5 (127)	6-2/0	surface only	N/A		
16/32	EQL16125DCR	35	125	217/8 (556)	133/4 (349)	5 (127)	6-2/0	surface only	N/A		
24/48	EQL24125DCR	28	125	247/8 (632)	133/4 (349)	5 (127)	6-2/0	surface only	N/A		
32/64	EQL32200DCR	21	200	275/8 (701)	15 (381)	5 (127)	6-250 MCM	surface only	N/A		
40/80	EQL40200DCR	21	200	335/8 (853)	15 (381)	5 (127)	6-250 MCM	surface only	N/A		

\* Neutral bar only on one side of panel.

SEQ Type 3R Weatherproof Loadcentre with Factory installed main breaker 1 phase 3 wire 240V AC max.											
Number of Circuits	Catalogue Number	Skid Qty.	Main Amps	Dimensions - Inches (mm)			Lug Data	Mounting Trim	Factory Mod.	Hubs (sold separately)	
				H	W	D				Conduit size (")	Catalogue Number
16/32	SEQ16100SMCR	35	100	215/8 (549)	139/16 (345)	5 (127)	6-2/0	surface only	N/A	3/4 1 1 1/4 1 1/2 2 2 1/2	ECHS075 ECHS100 ECHS125 ECHS150 ECHS200 ECHS250
24/48	SEQ24100SMCR	28	100	245/8 (625)	139/16 (345)	5 (127)	6-2/0	surface only	N/A		
24/48	SEQ24125SMCR	28	125	245/8 (625)	139/16 (345)	5 (127)	6-2/0	surface only	N/A		
24/48	SEQ24200CR	21	200	271/2 (699)	15 (381)	5 (127)	6-250 MCM	surface only	N/A		
32/64	SEQ32100SMCR	21	100	285/8 (726)	139/16 (345)	5 (127)	6-2/0	surface only	N/A		
32/64	SEQ32125SMCR	21	125	285/8 (726)	139/16 (345)	5 (127)	6-2/0	surface only	N/A		
32/64	SEQ32150CR	21	150	331/2 (851)	15 (381)	5 (127)	6-250 MCM	surface only	N/A		
32/64	SEQ32200CR	21	200	331/2 (851)	15 (381)	5 (127)	6-250 MCM	surface only	N/A		
40/80	SEQ40150CR	21	150	361/2 (927)	15 (381)	5 (127)	6-250 MCM	surface only	N/A		
40/80	SEQ40200CR	21	200	361/2 (927)	15 (381)	5 (127)	6-250 MCM	surface only	N/A		

**Note:** Both SEQ and EQL weatherproof panels are stocked complete with gasketed hinged door for improved weatherproof protection. All SEQ and EQL Type 3R panels come standard with copper bus.

# Loadcentres

## EQL & SEQ Single Phase Main Lug & Main Breaker Loadcentres (continued)

Selection

### Selection and Ordering Data

LOADCENTRES  
1

Dual Listed/cULus Loadcentres 120/240V 1 phase 3 Wire									
Number of Circuits	Catalogue Number	Skid Qty.	Main Amps	Dimensions - Inches (mm)			Lug Data	Mounting Trim	Door Kit Catalogue Number
				H	W	D			
38	SEQ38100U	27	100	36 (362)	14 <sup>1</sup> / <sub>4</sub> (362)	4 (102)	6-250MCM	comb.	DKS38-1A
	SEQ38125U	27	125						DKS38-2A
	SEQ38150U	27	150						
	SEQ38200U	27	200						
<p><b>Branch breakers:</b> Only 1" full module breakers that are both UL &amp; CSA certified are allowed to be installed in this loadcentre; 1/2" twin and quad branch breakers must not be used as per NEC 384-14(a) and NEC-384-15. Consult Siemens Sales Rep. for details.</p> <p><b>Application benefit:</b> Allows modular home builders who have businesses in both US &amp; Canada to carry only one line of inventory.</p>									



SEQ38200U

# Loadcentres

## EQ3 Single Phase & EQ4 Three Phase Loadcentres

Selection

### Selection and Ordering Data

EQ3 Single Phase Loadcentres									
With Main Lugs only 1 phase 3 Wire 120/240 V AC max. 10KA									
Number of Circuits	Catalogue Number	Main Amps	Dimensions - Inches (mm)			Lug Data	Mounting Trim	Door Catalogue Number	Factory Mod.
			H	W	D				
24	EQ324225	225	34 (864)	14 <sup>3</sup> / <sub>8</sub> (365)	4 <sup>3</sup> / <sub>8</sub> (111)	6-300 MCM	comb.	DKEQ2430	①
40	EQ340225	225	40 (1016)					DKEQ42	
EQ3 Service Entrance Loadcentre									
With factory Installed Main Breaker 1 phase 3 Wire 120/240 V AC max. 10KA									
24	EQ324BQ125	125	34 (864)	14 <sup>3</sup> / <sub>8</sub> (365)	4 <sup>3</sup> / <sub>8</sub> (111)	#6 - 2/0	comb.	DKEQ24BQ	①
32	EQ332BQ125	125	40 (1016)					DKEQ42	
EQ Three Phase Loadcentres <sup>①</sup>									
With main lugs only 3 phase 4 wire 240V AC max. 10 KA									
12	EQ412100	100	28 (711)	14 <sup>3</sup> / <sub>8</sub> (365)	4 <sup>3</sup> / <sub>8</sub> (111)	14-2/0	comb.	DKEQ1218	①
18	EQ418100	100	28 (711)					DKEQ1218	
24	EQ424225	225	34 (864)			6-300 MCM		DKEQ2430	
30	EQ430225	225	34 (864)					DKEQ2430	
42	EQ442225	225	40 (1016)					DKEQ42	
Service Entrance Loadcentres									
With factory installed main breaker 3 phase 4 wire 240 V AC max. 10 KA.									
24	EQ424BQ100	100(BQ)	34 (864)	14 <sup>3</sup> / <sub>8</sub> (365)	4 <sup>3</sup> / <sub>8</sub> (111)	4-2/0	comb.	DKEQ24BQ	①
42	EQ442QR100	100(QR)	46 (1168)					6-300 MCM	
42	EQ442QR125	125(QR)	46 (1168)			DKEQ42QR			
42	EQ442QR150	150(QR)	46 (1168)			DKEQ42QR			
42	EQ442QR200	200(QR)	46 (1168)			DKEQ42QR			
Factory Modifications <sup>①</sup>									
Type	Description	Catalogue Number	Example	Delivery					
EQ4	Copper Bus	add suffix...C	EQ430225C	4 Weeks					
Lug Kits For EQ Loadcentres									
Catalogue Number	Loadcentre Amps Rating	Description							
SFK100	100	Sub-feed Kit 14-2/0 (Per Phase)							
SFK225	225	Sub-feed Kit 1/0-250 MCM (Per Phase)							
TFK100	100	Through-feed Kit 14-2/0 (Per Phase)							
TFK225	225	Through-feed Kit 6-300 MCM (Per Phase)							



EQ424BQ100



SFK225



TFK100

**Note :** Certified for use with either plug-in (Type Q) or bolt-on (Type BQ) branch breakers. Number of circuits can be doubled by use of plug-in (Type QT) twin breakers. Certified for mounting vertical, horizontal or inverted and for use with CU/AL conductor including compact stranded. All neutral bar connectors are No. 14 - No. 4.

<sup>①</sup>All Three Phase EQ loadcentres are stocked complete with doors. Interior only is not available. Must be ordered as a complete unit.

**Note:** For copper bus add suffix C to existing part number. 4 weeks delivery required






# Loadcentres

## SPA panel and Mini Panel/Enclosed Breaker

### Selection and Ordering Data



LOADCENTRES

 <p><b>W0408ML1125</b></p>  <p><b>2-POLE GFCI</b></p>	<b>SPA panel package, 3R enclosure 120/240V 1 Phase 3 Wire</b>																																							
	Number of Circuits	Package Catalogue Number	Main Amps.	GFCI Included	Enclosure Dimensions - Inches (mm)			Hubs (sold seperately)																																
					H	W	D	Conduit Size (")	Catalogue Number																															
	4/8	W0408ML1125-20	125	QF220A	12 <sup>1</sup> / <sub>4</sub> (312)	6 (153)	4 <sup>1</sup> / <sub>4</sub> (108)	Cover 3/4 1 1 <sup>1</sup> / <sub>4</sub> 1 <sup>1</sup> / <sub>2</sub> 2 2 <sup>1</sup> / <sub>2</sub>	ECHS000 ECHS075 ECHS100 ECHS125 ECHS150 ECHS200 ECHS250																															
		W0408ML1125-30		QF230A																																				
		W0408ML1125-40		QF240A																																				
W0408ML1125-50		QF250A																																						
W0408ML1125-60		QF260A																																						
Each package also includes a 4-point ground bar and French instructions.																																								
<b>Circuit Breaker Enclosures for Service Entrance and Commercial Use</b>																																								
EEMAC 1 Enclosure (Indoor) 1 phase 3 wire 240V AC Max.																																								
Breaker Range	Catalogue Number	Main Amps.	Number of Poles	Dimensions - Inches (mm)			Lug Data																																	
				H	W	D																																		
15-60A	EQS260* <sup>①</sup>	60	1,2	7 <sup>3</sup> / <sub>4</sub> (197)	5 (127)	2 <sup>3</sup> / <sub>4</sub>	14-4 (70)																																	
15-125A	EQS2125* <sup>①</sup>	125	1,2	13 (330)	6 <sup>5</sup> / <sub>8</sub> (168)	3 <sup>3</sup> / <sub>8</sub>	14-2/0 (86)																																	
*Does not accept quad type breaker.																																								
<b>EEMAC 3R Weatherproof Enclosure, 1 phase 3 wire 240V AC Max.</b>																																								
Full Module Circuits	Catalogue Number	Main Amps.	Dimensions - Inches (mm)			Weight lbs.	Hub <sup>②</sup> Type																																	
			H	W	D																																			
3	WEQ60-4 <sup>③</sup>	60	10 <sup>1</sup> / <sub>4</sub> (260)	9 <sup>1</sup> / <sub>2</sub> (241)	5 <sup>5</sup> / <sub>8</sub> (143)	8	HR																																	
2/4	W0204ML1060 <sup>③</sup>	60	8 (204)	5 (127)	4 <sup>1</sup> / <sub>4</sub> (108)	4	HA																																	
4/8	W0408ML1125 <sup>③</sup>	125	12 <sup>1</sup> / <sub>4</sub> (312)	6 (153)	4 <sup>1</sup> / <sub>4</sub> (108)	7	HS																																	
8/16	W0816ML1125CU <sup>③</sup>	125	14 <sup>3</sup> / <sub>4</sub> (375)	12 <sup>1</sup> / <sub>8</sub> (308)	4 <sup>1</sup> / <sub>4</sub> (108)	7	HS																																	
Note: Package does not include a 4-point ground bar, please order: GBK4																																								
<b>Key Features:</b> Outdoor EEMAC 3R enclosure • Accepts plug-in Q type breakers • One piece bus bar construction • Combination trim flush/surface				<b>Hubs</b> <table border="1"> <thead> <tr> <th>Catalogue Number</th> <th>Conduit size (")</th> <th>Catalogue Number</th> <th>Conduit size (")</th> </tr> </thead> <tbody> <tr> <td>ECHA075</td> <td>3/4</td> <td>ECHS075</td> <td>3/4</td> </tr> <tr> <td>ECHA100</td> <td>1</td> <td>ECHS100</td> <td>1</td> </tr> <tr> <td>ECHA125</td> <td>1 1/4</td> <td>ECHS125</td> <td>1 1/4</td> </tr> <tr> <td>ECHR075</td> <td>3/4</td> <td>ECHS150</td> <td>1 1/2</td> </tr> <tr> <td>ECHR100</td> <td>1</td> <td>ECHS200</td> <td>2</td> </tr> <tr> <td>ECHR125</td> <td>1 1/4</td> <td>ECHS250</td> <td>2.5</td> </tr> <tr> <td>ECHR150</td> <td>1 1/2</td> <td></td> <td></td> </tr> </tbody> </table>					Catalogue Number	Conduit size (")	Catalogue Number	Conduit size (")	ECHA075	3/4	ECHS075	3/4	ECHA100	1	ECHS100	1	ECHA125	1 1/4	ECHS125	1 1/4	ECHR075	3/4	ECHS150	1 1/2	ECHR100	1	ECHS200	2	ECHR125	1 1/4	ECHS250	2.5	ECHR150	1 1/2		
Catalogue Number	Conduit size (")	Catalogue Number	Conduit size (")																																					
ECHA075	3/4	ECHS075	3/4																																					
ECHA100	1	ECHS100	1																																					
ECHA125	1 1/4	ECHS125	1 1/4																																					
ECHR075	3/4	ECHS150	1 1/2																																					
ECHR100	1	ECHS200	2																																					
ECHR125	1 1/4	ECHS250	2.5																																					
ECHR150	1 1/2																																							
<b>Remark:</b> ① The panels will not accommodate a 2 pole ground fault breaker (GFCI) or breaker with shunt trip. ② Hubs sold seperately ③ Not to be used as service entrance.																																								
 <p><b>W0816ML1125CU</b></p>																																								

# Loadcentres

## Generator panel

Selection

### Selection and Ordering Data

1  
LOADCENTRES

Generator Panel, 3 Pole 1 phase 3 wire 240V AC Max. Suitable for use with a generator having a bonded neutral conductor.								
Number of Circuits	Catalogue Number	Skid Qty.	Main Amps	Dimensions - Inches (mm)			Lug Data	Mounting Trim
				H	W	D		
6/12	EQG630D	63	30	16 <sup>7/8</sup> (429)	12 (305)	3 <sup>3/4</sup> (95)	14-6	Comb.
	EQG660D		60				6-2/0	
	EQG680D		80				6-2/0	
	EQG6100D		100				6-2/0	
10/20	EQG1030D	45	30	18 <sup>7/8</sup> (479)	12 (305)	3 <sup>3/4</sup> (95)	14-6	Comb.
	EQG1060D		60				6-2/0	
	EQG1080D		80				6-2/0	
	EQG10100D		100				6-2/0	
18/36	EQG1830D	36	30	24 <sup>1/8</sup> (613)	13 <sup>1/32</sup> (331)	3 <sup>3/4</sup> (95)	14-6	Comb.
	EQG1860D		60				6-2/0	
	EQG1880D		80				6-2/0	
	EQG18100D		100				6-2/0	
26/52	EQG2630D	27	30	33 (838)	14 <sup>1/4</sup> (362)	4 (102)	14-6	Comb.
	EQG2660D		60				6-2/0	
	EQG2680D		80				6-2/0	
	EQG26100D		100				6-2/0	
34/68	EQG3430D	27	30	33 (838)	14 <sup>1/4</sup> (362)	4 (102)	14-6	Comb.
	EQG3460D		60				6-2/0	
	EQG3480D		80				6-2/0	
	EQG34100D		100				8-2/0	
Generator Panel, 2 Pole 1 phase 3 wire 240V AC Max. Suitable for use with a generator having an unbonded neutral conductor.								
8/16	EQG830NSND	63	30	16 <sup>7/8</sup> (429)	12 (305)	3 <sup>3/4</sup> (95)	14-8	Comb.
	EQG860NSND		60				6-2/0	
	EQG880NSND		80				6-2/0	
	EQG8100NSND		100				6-2/0	
12/24	EQG1230NSND	45	30	18 <sup>7/8</sup> (479)	12 (305)	3 <sup>3/4</sup> (95)	14-8	Comb.
	EQG1260NSND		60				6-2/0	
	EQG1280NSND		80				6-2/0	
	EQG12100NSND		100				6-2/0	
20/40	EQG2030NSND	36	30	24 <sup>1/8</sup> (613)	13 <sup>1/32</sup> (331)	3 <sup>3/4</sup> (95)	14-8	Comb.
	EQG2060NSND		60				6-2/0	
	EQG2080NSND		80				6-2/0	
	EQG20100NSND		100				6-2/0	
28/56	EQG2830NSND	27	30	33 (838)	14 <sup>1/4</sup> (362)	4 (102)	14-8	Comb.
	EQG2860NSND		60				6-2/0	
	EQG2880NSND		80				6-2/0	
	EQG28100NSND		100				6-2/0	
36/72	EQG3630NSND	27	30	33 (838)	14 <sup>1/4</sup> (362)	4 (102)	14-8	Comb.
	EQG3660NSND		60				6-2/0	
	EQG3680NSND		80				6-2/0	
	EQG36100NSND		100				6-2/0	
<p><b>Note:</b> The EQG panels are stocked complete with doors</p> <p><b>Key Features:</b></p> <ul style="list-style-type: none"> <li>• Ensures reliable and continuous operation, allows customers to permanently connect critical loads to back up generators in cases of main power failures</li> <li>• Factory ready for use in both switched and non-switched neutral applications</li> <li>• Additional number of generator circuits for more flexibility</li> </ul>								



EQG630D



EQG860NSND

# Circuit Breakers

## Type Q Plug-In Breakers

### Selection and Ordering Data



LOADCENTRES 1

Full Module (1" per pole) 10,000 A.I.C			
Ampere Rating		Catalogue Number	Standard Package
<b>Single Pole</b>			
	15 20 25 30 40 50 60 70	<b>Q115</b> <sup>Ⓞ</sup> <b>Q120</b> <sup>Ⓞ</sup> <b>Q125</b> <b>Q130</b> <b>Q140</b> <b>Q150</b> <b>Q160</b> <b>Q170</b>	48
<b>Two Pole Common Trip</b>			
	15 20 25 30 35 40 50 60	<b>Q215</b> <b>Q220</b> <b>Q225</b> <b>Q230</b> <b>Q235</b> <b>Q240</b> <b>Q250</b> <b>Q260</b>	24
	70 80 90 100 110 125	<b>Q270</b> <b>Q280</b> <b>Q290</b> <b>Q2100</b> <b>Q2110</b> <b>Q2125</b>	5
	150 200	<b>QN2150R</b> <sup>ⓄⓈ</sup> <b>QN2200R</b> <sup>ⓄⓈ</sup>	1
<b>Three Pole Common Trip</b>			
	15 20 25 30 40 50 60 70	<b>Q315</b> <b>Q320</b> <b>Q325</b> <b>Q330</b> <b>Q340</b> <b>Q350</b> <b>Q360</b> <b>Q370</b>	3
	80 90 100	<b>Q380</b> <b>Q390</b> <b>Q3100</b>	2
<b>Half Module (1/2" per pole) 10,000 A.I.C.</b>			
Poles	Amps	Catalogue Number <sup>Ⓞ</sup>	Standard Package
QT Dual (Twin)	15-15	<b>Q1515NC</b>	48
	15-20	<b>Q1520NC</b>	
	15-30	<b>Q1530NC</b>	
	15-40	<b>Q1540NC</b>	
	20-15	<b>Q2015NC</b>	
	20-20	<b>Q2020NC</b>	
	30-15	<b>Q3015NC</b>	
	30-20	<b>Q3020NC</b>	
	30-30	<b>Q3030NC</b>	
40-15	<b>Q4015NC</b>		
<b>Quad Type (1/2" per pole) 10,000 A.I.C. Common Trip - centre poles only.</b>			
Poles	Ampere Rating	Catalogue Number <sup>Ⓞ</sup>	Standard Package
QT Quad	15-15	<b>Q21515CTNC</b>	24
	15-20	<b>Q21520CTNC</b>	
	15-25	<b>Q21525CTNC</b>	
	15-30	<b>Q21530CTNC</b>	
	15-40	<b>Q21540CTNC</b>	



**Q115**



**Q215**



**Q315**



**Q1515NC**



**Q21515CTNC**

Ⓞ Typical catalogue number (ie. Q1515NC) represents two single-pole 15A circuit breakers - total width 1"  
 Ⓞ Typical catalogue number (ie. Q21520CTNC) represents two single-pole, outer poles (two 15A 1-pole circuit breakers) and one 2-pole inner breaker with common trip (one 20A 2-pole circuit breaker) - total width 2"

Ⓢ Typical CSA Listed for frequent switching applications (SWD). 120V AC Fluorescent Lighting.  
 Ⓞ Requires 4 panel circuits, 2 adjacent and 2 opposite. Two twist outs should be only removed.  
 Ⓢ Will not fit in EQ3 or EQ4 loadcenters



# Circuit Breakers

## Surge Arrester and Replacement Main Breakers

### Selection and Ordering Data



1

LOADCENTRES

Surge Arrester Breakers Full Module c/w 2-1 pole (1/2" per pole) 10,000 A.I.C.®			
Poles	Ampere Rating	Catalogue Number	Standard Package
1	15 20	<b>QSA1515SPD</b> <b>QSA2020SPD</b>	1
Replacement Main Breakers for SEQ Loadcentres 22,000 A.I.C.			
N/A	60	<b>Q260H</b>	6
	100 125 150 200	<b>EQ9675</b> <b>EQ9677</b> <b>EQ9683</b> <b>EQ9685</b>	1



**QSA1515SPD**



**EQ9675**

® Typical catalogue number (i.e. QSA1515SPD) represents two single-pole, outer poles (two 15A 1 pole circuit breakers) and one surge arrester inner - total width 2".

# Loadcentres

## Arc-Fault and Ground Fault Circuit Interrupters

Selection

LOADCENTRES

### Selection and Ordering Data

Poles	Ampere Rating	Interrupting Rating		
		10Ka	22kA	65Ka
Catalogue Number				
<b>Combination Arc Fault Circuit Interupters (AFCI), Full Module (1" per pole)</b> Detects all three possible types of arc faults: line-to-ground, line-to-neutral, and series.				
1	15 20	QA115AFCCSA QA120AFCCSA	QA115AFCH QA120AFCH	QA115AFCHH QA120AFCHH
2	15 20	Q215AFCCSA Q220AFCCSA	Q215AFCH Q220AFCH	N/A N/A
<b>Dual Function AFCI/GFCI, Full Module (1" per pole)</b> The Dual Function Circuit Breaker combines Combination Type AFCI and GFCI, protecting against both Arc Faults and (5mA) Ground Faults. Includes SelfTest as an added safety feature.				
1	15 20	Q115DF Q120DF	Q115DFH Q120DFH	Q115DFHH Q120DFHH
<b>Ground Fault Circuit Interrupters (QFA), Full Module (1" per pole) Class A (5mA) Sensitivity</b> Provides Class A (5mA) ground fault protection. Intended for personnel protection. Includes SelfTest as an added safety feature.				
1	15 20 30	QF115A QF120A QF130A	QF115AH QF120AH QF130AH	QF115AHH QF120AHH QF130AHH
2	15 20 30 40 50 60	QF215A QF220A QF230A QF240A QF250A QF260A	QF215AH QF220AH QF230AH QF240AH QF250AH QF260AH	N/A
<b>Ground Fault Equipment Protection (QE), Full Module (1" per pole) 30mA Sensitivity</b> Provides protection of equipment from damaging line-to-ground faults currents.				
1	15 20	QE115 QE120	QE115H QE120H	N/A N/A
2	30 15 20 30 40 50 60	QE130 QE215 QE220 QE230 QE240 QE250 QE260	QE130H QE215H QE220H QE230H QE240H QE250H QE260H	N/A N/A N/A N/A N/A N/A N/A



1-Pole Combination Type AFCI



2-Pole Combination



1-Pole Dual Function AFCI/GFCI



1-Pole GFCI



2-Pole GFCI



1-Pole GFCI



2-Pole GFCI

# Loadcentres

## Type BQ Bolt-on<sup>®</sup> and Blue line Circuit Breakers

Selection

### Selection and Ordering Data



LOADCENTRES

Full Module BQ Breakers (1" per pole) 10,000 A.I.C. & 22,000 A.I.C.				
Ampere Rating	10,000 A.I.C. Catalogue Number	22,000 A.I.C. Catalogue Number	Std. Pkg.	
<b>Single Pole</b>				
15	BQ1B015	BQ1B015H	12	
20	BQ1B020	BQ1B020H		
25	BQ1B025	BQ1B025H		
30	BQ1B030	BQ1B030H		
40	BQ1B040	BQ1B040H		
50	BQ1B050	BQ1B050H		
60	BQ1B060	BQ1B060H		
70	BQ1B070	BQ1B070H		
<b>Two Pole Common Trip</b>				
15	BQ2B015	BQ2B015H	6	
20	BQ2B020	BQ2B020H		
25	BQ2B025	BQ2B025H		
30	BQ2B030	BQ2B030H		
40	BQ2B040	BQ2B040H		
50	BQ2B050	BQ2B050H		
60	BQ2B060	BQ2B060H		
70	BQ2B070	BQ2B070H		
80	BQ2B080	BQ2B080H		
90	BQ2B090	BQ2B090H		
100	BQ2B100	BQ2B100H		
125	BQ2B125	—		
<b>Three Pole Common Trip</b>				
15	BQ3B015	BQ3B015H		4
20	BQ3B020	BQ3B020H		
30	BQ3B030	BQ3B030H		
40	BQ3B040	BQ3B040H		
50	BQ3B050	BQ3B050H		
60	BQ3B060	BQ3B060H		
70	BQ3B070	BQ3B070H		
90	BQ3B090	BQ3B090H		
100	BQ3B100	BQ3B100H		



BQ1B015




BQ2B015



BQ3B015

BQ Screws are sold separately<sup>①</sup>

 <b>BL1-015</b>	Type Blue line circuit breakers		
	Ampere Rating	Catalogue Number	Standard Package
	15 20 30 40 50	BL1-015 BL1-020 BL1-030 BL1-040 BL1-050	20
15 20 30 40	BL2-015 BL2-020 BL2-030 BL2-040	10	
Description	Catalogue Number	Standard Package	
Tie Handle	BLTH1	20	
6 - 1 Pole Fillers	BLF6		
<b>Note:</b> These breakers are used as replacement in old ITE Loadcentres			

① Order line side screw kits separately: 8217-6 (6 pcs.)  
8217-12 (12 pcs.) 8217-100 (100 pcs.) 8217-200 (200 pcs.)

# Loadcentres

## Accessories and Replacement Parts

Selection



### Selection and Ordering Data

LOADCENTRES

Catalogue Number	Description	Std. Pkg.
<b>Tie Handle</b>		
ECQTH2	QT Dual Tie Handle-Floating	25
ECQTH3	Q 2-Pole Tie Handle	50
QTH4	QT Dual Tie Handle - Bar Type	5
<b>Blocking Device</b>		
ECQL1	Handle Blocking Device (1,2 or 3 Pole)	10
ECQLD3	Padlocking Device (1,2 or 3 Pole) for full module breakers	
ECPLD1	Padlocking Device (1 Pole) for Twin type breakers	3
ECPLD2	Padlocking Device (2 Pole) for Quad type breakers	
<b>Lock</b>		
ECQFL2	Add-A-Lock (all EQ Loadcentres)	1
<b>Neutral Lug Kits</b>		
LK2	No. 4-2/0 CU/AL	1
LK3	No. 1-300 MCM CU/AL	
LK4	No. 1-400 MCM CU/AL	
<b>Lug Kit<sup>®</sup></b>		
ECLK2225	No. 2-300 MCM CU/AL	1
<b>Miscellaneous</b>		
QF3	Three 1-Pole Fillers	1
SL3	Sliding Black Latch	
SL3W	Sliding White Latch	
IG21	Insulated Ground Bar Kit	
Truck-Kit	Contractor Truck Kit	
TRIMSCK1	Screws for trims "Zink"	
CIRNOLA32	Circuit labels up to 32 circuits for SEQ 125A	
CIRNOLA40	Circuit labels up to 40 circuits	
CIRNOLA60	Circuit labels up to 60 circuits	
DIRLBLK-EQLSEQ	Directory labels EQL, SEQ	
DIRLBLK-SM	Directory labels SEQ side mounted NMMB	
DIRLBLKSEQ60	Directory Card "Package of 25"	
TUP-PA032Q	White Powder Coat Spray Paint	
TUP-PL126Q	Grey Powder Coat Spray Paint	

©These lug kits simply plug on to the bus of any SEQ or EQL Loadcentre as sub-feed or through-feed lugs to take advantage of CEC Rule 14-100 (c).

# Loadcentres


## Accessories and Replacement Parts

Selection





LOADCENTRES

### SEQ Loadcentres

	# of Circuits	Catalogue Number	Door Kit		Door & Trim	
			Grey	White	Grey	White
 <p>Door Kit</p>	12/24	SEQ12060SM	DK1216SM-1	DK1216SM-1W	DK12SM	DK12SMW
	16/32	SEQ16060SM			DK16SM	DK16SMW
	24/48	SEQ24060SM	DK24SM-1	DK24SM-1W	DK24SM	DK24SMW
	12/24	SEQ12100SM	DK1216SM-1	DK1216SM-1W	DK12SM	DK12SMW
	16/32	SEQ16100SM			DK16SM	DK16SMW
	24/28	SEQ24100SM SEQ24125SMK SEQ24125SM	DK24SM-1	DK24SM-1W	DK24SM	DK24SMW
	24/48	SEQ24150 SEQ24200	N/A	N/A	DKS24-2A	DKS24-2AW
	32/64	SEQ32100SM SEQ32125SM	DK32SM-1	DK32SM-1W	DK32SM	DK32SMW
	32/64	SEQ32150 SEQ32200	N/A	N/A	DKS32-2A	DKS32-2AW
	40/80	SEQ40100 SEQ40125	N/A	N/A	DKS40-1A	DKS40-1AW
40/80	SEQ40150 SEQ40200	N/A	N/A	DKS40-2A	DKS40-2AW	
60/120	SEQ60200	N/A	N/A	DKS60-2A	DKS60-2AW	

### SEQ Loadcentres

	# of Circuits	Catalogue Number	Main Breaker Cover		Branch Breaker Cover	
			Grey	White	Grey	White
 <p>Main Breaker Cover</p>	12/24	SEQ12060SM	DKMCSM	DKMCSMW	SEQ12060SM-T	SEQ12060SM-TW
	16/32	SEQ16060SM			SEQ16060SM-T	SEQ16060SM-TW
	24/48	SEQ24060SM			SEQ24060SM-T	SEQ24060SM-TW
	12/24	SEQ12100SM			SEQ12100SM-T	SEQ12100SM-TW
	16/32	SEQ16100SM			SEQ16100SM-T	SEQ16100SM-TW
	24/28	SEQ24100SM SEQ24125SMK SEQ24125SM			SEQ24100SM-T	SEQ24100SM-TW
					SEQ24125SM-T	SEQ24125SM-TW
					SEQ24125SM-T	SEQ24125SM-TW
	24/48	SEQ24150 SEQ24200	N/A <sup>Ⓞ</sup>	N/A <sup>Ⓞ</sup>	SEQ24-TA	SEQ24-TAW
	 <p>Branch Breaker Cover</p>	32/64	SEQ32100SM SEQ32125SM	DKMCSM	DKMCSMW	SEQ32100SM-T
					SEQ32125SM-T	SEQ32125SM-TW
32/64		SEQ32150 SEQ32200			SEQ32-T	SEQ32-TW
40/80		SEQ40100 SEQ40125	N/A <sup>Ⓞ</sup>	N/A <sup>Ⓞ</sup>	SEQ40100-T	SEQ40100-TW
40/80		SEQ40150 SEQ40200			SEQ40-T	SEQ40-TW
60/120		SEQ60200			SEQ60-T	SEQ60-TW

<sup>Ⓞ</sup> Branch Breaker Cover part covers the main breaker area and branch circuits.




# Loadcentres

## Accessories and Replacement Parts


Selection  
**INSTA WIRE™**

LOADCENTRES  
1


### EQL Loadcentres

	# of Circuits	Catalogue Number	Door Kit	
			Grey	White
	2/4	<b>EQL260S</b>	N/A	N/A
	4/8	<b>EQL4100</b>		
	8/16	<b>EQL8100D</b>	DK8-A	DK8-AW
	12/24	<b>EQL12125D</b>	DK12-A	DK12-AW
	16/32	<b>EQL16125D</b>	DK16-A	DK16-AW
	24/48	<b>EQL24125D</b>	DK24-A	DK24-AW
	32/64	<b>EQL32200D</b>	DKL32-2A	DKL32-2AW
	40/80	<b>EQL40200D</b>	DKL40-2A	DKL40-2AW

### EQ3 & EQ4 Loadcentres

	# of Circuits	Catalogue Number		Door Kit	
		EQ3	EQ4	Grey	White
	12	N/A	<b>EQ412100</b>	DKEQ1218	N/A
	18	N/A	<b>EQ418100</b>		
	24	<b>EQ324225</b>	<b>EQ424225</b>	DKEQ2430	N/A
	30	N/A	<b>EQ430225</b>		
	40	<b>EQ340225</b>	N/A	DKEQ42	N/A
	42	N/A	<b>EQ442225</b>		

### EQ3 & EQ4 Service Entrance Rated

	# of Circuits	Catalogue Number		Door Kit	
		EQ3	EQ4	Grey	White
	24	<b>EQ324BQ125</b>	<b>EQ424BQ100</b>	DKEQ24BQ	N/A
	32	<b>EQ332BQ125</b>	N/A	DKEQ42	N/A
	42	N/A	<b>EQ442QR100</b>	DKEQ42QR	N/A
			<b>EQ442QR125</b> <b>EQ442QR125C</b> <b>EQ442QR150</b> <b>EQ442QR200</b>	DKEQ42QR	N/A

# Loadcentres Surge Protection

## Power Service Entrance Surge Protection

Selection

### FirstSurge™

#### Total Home Protection

Siemens believes today's residential surge protectors come up short when protecting today's modern home filled with smart appliances and electronics.

This is why we developed our FirstSurge™ commercial class total home surge protectors. These electrical system surge protectors are sized for where you live. They will let you know when there is something wrong or when they are worn out.

Based upon thunderstorm frequency, geographic location, and home size, we developed a surge exposure map correlating with FirstSurge™ current capacities known to provide years of protective service for each shaded area.

#### Sized For Where You Live

Model	Surge Capacity
FirstSurge™ Power	(FS060) 60,000 A
FirstSurge™ Plus	(FS100) 100,000 A
FirstSurge™ Pro	(FS140) 140,000 A



#### Know You're Protected:

##### 3 Stage Commercial Grade Notification

When there is a problem, Siemens FirstSurge™ takes the guesswork out of knowing when it is time to be replaced. What will you see and hear when this occurs?

Audible Alarm: Beeps  
 Green LED(s): Extinguish  
 Red Service Light: Flashes

##### Ground Reference Monitoring (GRM)

FirstSurge™ is GRM-equipped notifying you a rare safety hazard exists due to a compromised electrical system neutral to ground bond. What will you see and hear when this occurs?

Audible Alarm: Beeps  
 Green LED(s): Remains Lit  
 Red Service Light: Flashes



#### Features & Benefits

- UL 1449 4th Ed Listed, CSA 22.2 No.269.2-13, Type 2 Surge Protective Device (SPD)
- Rated for 120/240 split phase panels up to 400A
- Surge Current Capacities:
  - 60,000 A
  - 100,000 A
  - 140,000 A
- 3 Stage Commercial Grade Notification
- Ground Reference Monitoring (GRM)
- Installs onto any brand loadcenter
- Type 4 rated outdoor enclosure
- 10 year product and connected equipment warranty\*

Technical Specifications	
Surge Spike Capacity	FirstSurge™ Power (FS060) 60,000 A FirstSurge™ Plus (FS100) 100,000 A FirstSurge™ Pro (FS140) 140,000 A
Line Voltage	120/240 Split Phase, 50/60 Hz
UL 1449 4th Ed VPR	L-N: 600 V L-G: 600 V N-G: 600 V L-L: 900 V
Rated Voltage (MCOV)	150V – L-N, L-G, and N-G; 300V – L-L
Response Time	<1 nanosecond
Enclosure	NEMA 4X Indoor and Outdoor Rated
Selection Information	
FirstSurge™ Power	FS060
FirstSurge™ Plus	FS100
FirstSurge™ Pro	FS140
FirstSurge™ Flush Mount Kit	XMFMKIT

\*See warranty for details

# Loadcentres Surge Protection

## Telephone Service Entrance Surge Protection

Selection

Siemens FSPHONE is a 2 pair, hardwired surge protector for telephone, DSL or modem connected electronics in residential and light commercial applications. The FSPHONE protects against electrical power surges that can enter through the main telephone connection and is equipped with a failshort device to permanently ground the telephone line in the event of a power cross.

The FSPHONE is designed for indoor applications or can be mounted inside another weatherproof enclosure for outdoor mounting applications.

The FSPHONE4X consists of the FSPHONE plus a weatherproof enclosure to facilitate indoor or outdoor applications. The enclosure is molded of temperature and humidity resistant thermoplastic to resist cracking and discoloration. The cover can be secured with a tie wrap or similar locking device.

For total home protection please use FirstSurge™ to protect your incoming AC Power lines and FSPHONE to protect your incoming telephone line.

### Features & Benefits

- UL listed
- Hardwired Modem/Fax/DSL protection
- Easy to install
- Exceptionally fast response time
- Low insertion loss
- Available with or without enclosure
- 5-Year product warranty\*



Technical Specifications	
Catastrophic Surge Circuit	Yes
Spike Capacity	200 Amps
Let Through Voltage	<270 V
Overcurrent Protection	Yes
Response Time	<1 nanosecond
Enclosure	Yes
Agency Approvals & Warranty	
UL/cUL Listings	497C
Meets Telcordia (formally Bellcore) GR-974-CORE Requirements for Telecommunications Line Protectors	Yes
Product Warranty	FS140
Catalogue Number	
FSPHONE	2 pair protection module
FSPHONE4X	2 pair protection module & 1 Weatherproof Enclosure

UL Model No. - SATH2

## Coaxial Service Entrance Surge Protection

Siemens FSCATV shields coaxial connected electronics in residential and light commercial applications against electrical transient damage, including lightning, from entering through the main cable connection.

FSCATV includes a section of coaxial cable with female to female splice for line side application. The Siemens warranty covers product defects for 5 years. To have complete protection for your equipment, home, or business, it is important to protect AC power lines and all data lines the equipment is connected through.

### Features & Benefits

- UL Listed
- Rated for CATV, DSS, TV, VCR, and Cable Modem
- Easy to install
- Standard Female to Female F connector
- Low insertion loss
- Automatic recovery
- 5 Year product warranty\*



Technical Specifications	
Frequency Range	DC thru 1.5 GHz
Catastrophic Surge Circuit	Yes
Spike Capacity	5000 Amps, 8/20 μSec
Impedance	75 Ohms
Overcurrent Protection	Yes
Return Loss	30dB @ 1 GHz
Insertion Loss	<0.1dB
Agency Approvals & Warranty	
UL/cUL Listings	497C
Meets IEEE C62.41.1 Requirements	Yes
Product Warranty	FS140
Catalogue Number	
FSCATV	F-Type Inline Coax Protector

UL Model No. - Surgeassure™ SAVFFF

\*See warranty for details

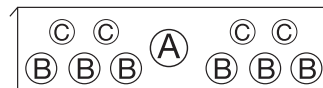
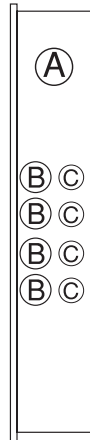
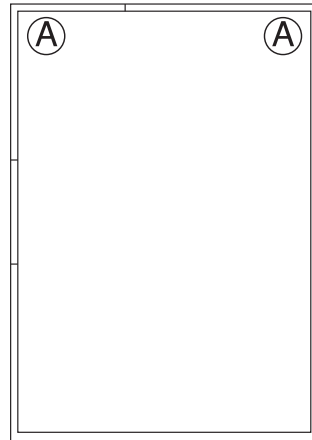
# Loadcentres

## Knockout Data

Selection

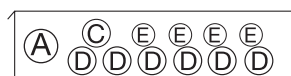
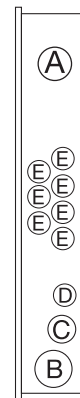
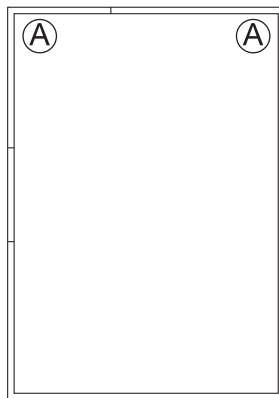
LOADCENTRES

K.O. Qty					
		A	B	C	D
EQL8	Box	6	6	6	4
	Top	1	6	4	2
	Bot.	1	6	4	2
EQL 12	Box	6	6	6	4
	Top	1	6	4	2
EQL 16	Box	6	8	8	4
	Top	1	6	4	2
EQG 6	Box	6	6	6	4
EQG 8NSND	Top	1	6	4	2
EQG 10	Box	6	8	8	4
EQG 12NSND	Top	1	6	4	2
K.O. Trade Dia.					
A	3/4" - 1" - 1 1/4" - 1 1/2"				
B	1/2" - 3/4"				
C	1/2"				
D	1/4"				

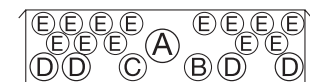


Top and Bottom

K.O. Qty.						
		A	B	C	D	E
EQG 18	Box	4	2	-	18	16
EQL 24	Top	1	-	1	6	4
EQG 20NSND	Bot.	1	-	1	6	4
EQG 24	Box	4	2	2	2	36
EQL 32	Top	1	1	1	4	13
EQG 28NSND	Bot.	1	1	1	4	13
EQL 34	Box	4	2	2	2	36
EQL 40	Top	1	1	1	4	13
EQG 36NSND	Bot.	1	1	1	4	13
K.O. Trade Dia.						
A	1 1/4" - 1 1/2" - 2" - 2 1/2"					
B	3/4" - 1" - 1 1/4"					
C	1/2" - 3/4" - 1"					
D	1/2" - 3/4"					
E	1/2"					



Top and Bottom for  
EQL 24  
EQG 18  
EQG 20NSND



Top and Bottom for  
EQL 32 & 40 cir.

# Loadcentres

## Knockout Data

Selection

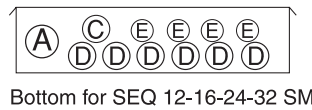
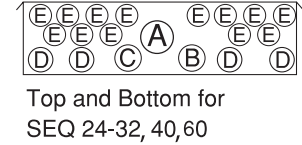
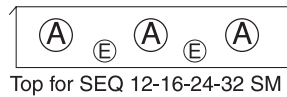
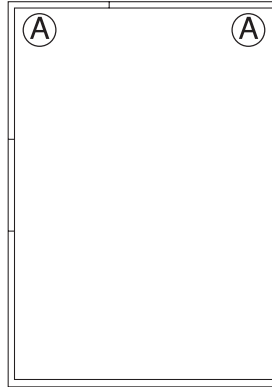
### Service Entrance Loadcentres with Plug-in Breakers

LOADCENTRES 1

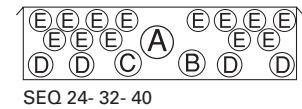
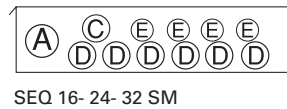
		K.O. Qty.				
		A	B	C	D	E
SEQ 12 SM	Box	4	2	0	10	8
SEQ 16 SM	Top	3	0	0	0	2
	Bot.	1	0	1	6	4
SEQ 24 SM	Box	4	2	-	18	16
SEQ 32 SM	Top	3	-	-	-	2
	Bot.	1	-	1	6	4
	Box	4	2	2	2	22
SEQ 24	Top	1	1	1	4	13
	Bot.	1	1	1	4	13
	Box	4	2	2	2	36
SEQ 32	Top	1	1	1	4	13
	Bot.	1	1	1	4	13
	Box	4	2	2	2	36
SEQ 40	Top	1	1	1	4	13
	Bot.	1	1	1	4	13
	Box	4	2	2	2	68
SEQ60200	Top	1	1	1	4	13
	Bot.	1	1	1	4	13

		K.O. Trade Dia.				
A		1 1/4" - 1 1/2" - 2" - 2 1/2"				
B		3/4" - 1" - 1 1/4"				
C		1/2" - 3/4" - 1"				
D		1/2" - 3/4"				
E		1/2"				



#### Service Entrance Loadcentres (Type 3R) Bottom Only

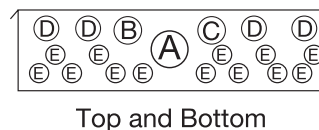
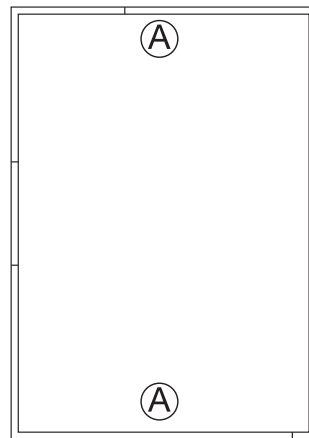


### EQ Loadcentres with Plug-in or Bolt-on Breakers

		K.O. Qty.				
		A	B	C	D	E
All	Box	6	-	-	4	-
EQ 1PH	Top	1	1	1	4	13
EQ 3PH	Bot.	1	1	1	4	13

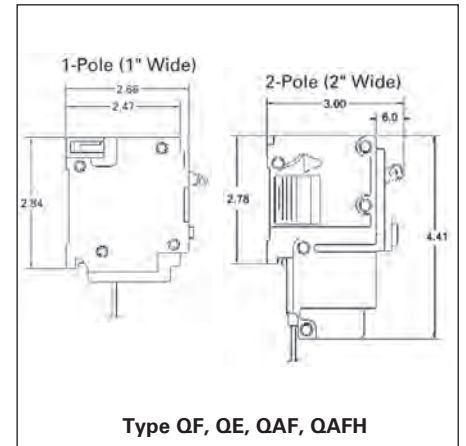
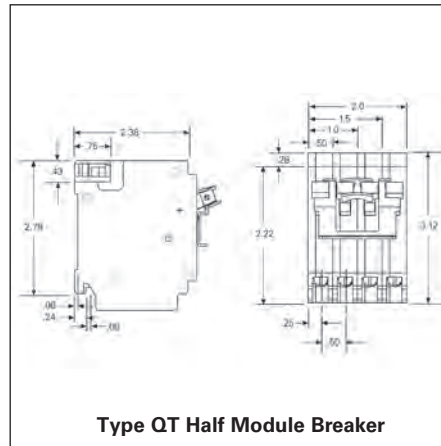
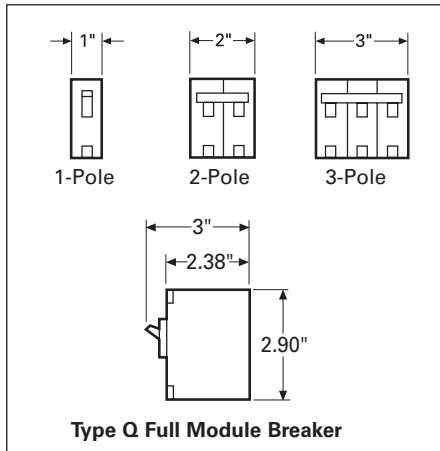
		K.O. Trade Dia.				
A		1 1/4" - 1 1/2" - 2 1/2"				
B		3/4" - 1" - 1 1/4"				
C		1/2" - 3/4" - 1"				
D		1/2" - 3/4"				
E		1/2"				



# Loadcentres

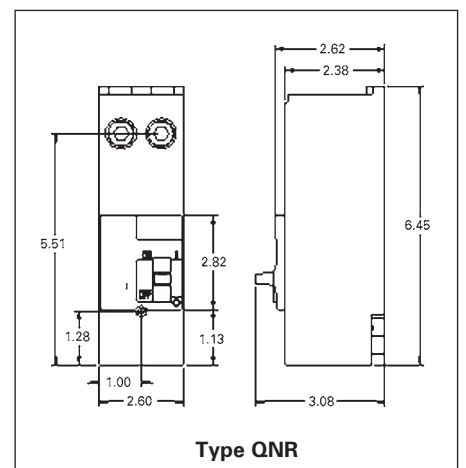
## Line Diagrams/Dimension Drawings for Circuit Breakers/Lug Data

Selection



### Lug Data

Circuit Breaker Type	Circuit Breaker Ampere Rating	Cables Per Connector	Connector Wire Range
	LOAD SIDE		
Q	15-30	1 1	#14-#8 AWG Cu #12-#8 AWG Al
	40-50	1 1	#8-#6 AWG Cu #8-#4 AWG Al
	60-70	1 1	#6-#2/0 AWG Cu #6-#2/0 AWG Al
	80-125	1 1	#8-#2/0 AWG Cu #8-#2/0 AWG Al
QNR	150-200	1	#1-300kcmil Cu-Al
QT	15-30	1 1	#14-#8 AWG Cu #12-#8 AWG Al
	40	1	#8 AWG CU-Al
QF, QE	15-30	1 1	#14-#10 AWG Cu #12-#8 AWG Al
	40-60	1 1	#8-#6 AWG Cu #8-#4 AWG Al
QAF, QAFH	15-20	1 1	#14-#12 AWG Cu #12-#10 AWG Al



1

LOADCENTRES



# POWER PRODUCT Meter Centres

## Contents

---

<b>General Specifications</b>	2-2
<b>Catalogue Numbering System</b>	2-2
<b>240V Meter Centre</b>	
Overview - Features & Benefits	2-3
Selection Procedure	2-5
Switches and Tap Boxes	2-6
Meter Stacks	2-7
Socket Module and Main Bus Connector Kit	2-8
Sub-service Circuit Breakers and Corner Elbow Modules	2-9
Accessories	2-10
Configuration Layouts	2-11
Dimensions	2-13
Knock Out Data	2-15
240V Meter Centre Layout Example	2-16
<b>600Y/347V Meter Centre</b>	
Overview - Features & Benefits	2-17
Meter Stacks	2-18
Sub service Circuit Breakers and Tap Boxes	2-19
Close Coupled option with SMP	2-20
Main Bus Connector Kits, Corner Elbow Modules and Accessories	2-21
Dimensions	2-22
600Y/347V Meter Centre Layout Example	2-26

# Meter Centres

## Introduction and General Specifications

*General*

Siemens multi-family metering includes an assortment of module types that can be configured to meet a wide range of residential, commercial or industrial group metering applications. This feature-rich product line is designed with the contractor in mind. Quality and service are keystones of Siemens meter centres. Siemens meter centres are designed and manufactured in Canada, to meet Canadian requirements.

### General Specifications

#### Standards

CSA: C22.2 No. 229-M1988. Certified under file #153416

#### Meter Stack Design

Siemens meter stacks are of uniform design with flexibility in mind. All meter stacks are designed for "cold metering" in which individual subservice breakers are connected on the line side of the meter sockets thereby protecting the meter and all electrical equipment installed subsequent to it.

#### Meter Stack Enclosure

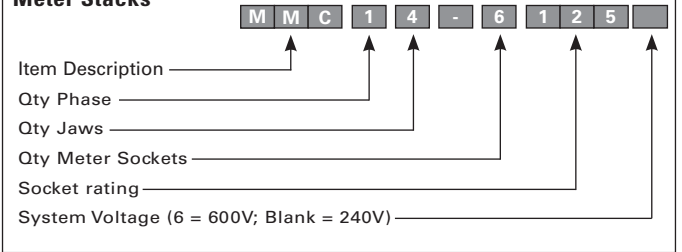
Type 1 enclosure. Meter stack enclosure, barriers and end plates are manufactured of galvanized steel. Front covers are fabricated of phosphatized steel finished with ASA 61 light grey paint.

#### Bus Bar

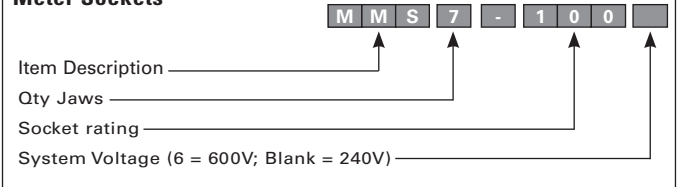
The main horizontal bus consists of tin plated high conductivity aluminum for maximum performance and economy. The main cross bus is installed at the bottom of metering stacks and is rated at at 600A or 1200A while the vertical bussing is rated at 800A per section.

### Numbering System

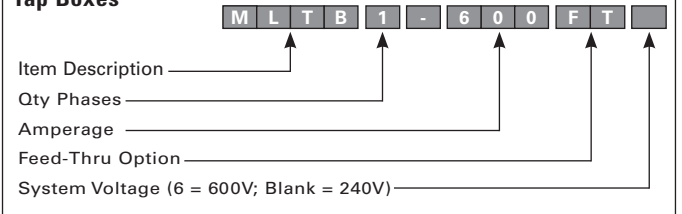
#### Meter Stacks



#### Meter Sockets



#### Tap Boxes



# Meter Centres

## 240V Modular Meter Centres

*Selection*

The Siemens metering line offers an economical approach to virtually any metering requirement, whether it be for residential, commercial or industrial applications at 240V.

### Meeting All Your Service Needs

Offering the maximum versatility to meet all your needs, Siemens 240V meter centres are designed for single phase three wire 120/240V AC or three phase four wire 120/208V AC applications with sub-service modules of 100A, 125A and 200A. Siemens 240V meter centres are designed to meet CSA requirements C22.2 No.229 and are CSA certified under file #13069. All individual metering stacks are manufactured to tight specifications and can be selected in pre-assembled units, to minimize on-site labour or as a separate plug-in module for a customized installation when required. The modular construction offers real post installation flexibility permitting on-site changes to be made with minimum down time.

### Direct Tap Feature

When using Siemens' direct tap Main Lug Feed Kit for services at 600A, no tap box is required, therefore saving considerable installation room.

This custom designed Main Lug Feed Kit allows connection of main incoming cables directly to the Meter Stack main bus and eliminates the need for a sub service tap box. If more working space is required to facilitate the connection, a Transition Box can be used.

### Meter Stack Design

All Siemens meter stacks are of uniform design with flexibility in mind. A combination of slide-in metering modules from 100 to 200A fit in any meter stack.

### Mounting Rails

Easy to use, the mounting rails simplify installation of the modular meter centre. They enable the metering stacks to be rapidly pre-installed on the wall, automatically aligning the sections for permanent mechanical installation and electrical joining of the main bus.



### Meter Stack Enclosure

Type 1 meter stack enclosure. Enclosure, barriers and end plates are manufactured of galvanized steel. Front covers are fabricated of phosphatized steel finished with ASA 61 light grey paint. Meter socket front covers are embossed and fitted with a label to allow suite identification on the enclosure adjacent to its respective service breaker.

### Bus Bar

The main horizontal bus consists of tin plated high conductivity aluminum for maximum performance and economy. The main cross bus is installed at the bottom of the metering stacks and is rated at 600 or 1200A while the vertical bussing is rated at 800A per section.

### Flexibility

Siemens service entrance equipment can be top or bottom fed, depending on site requirements, for single connection or feed through applications.

Each meter stack has a convenient side wireway for branch wiring which can exit at the top or at the bottom. A user-friendly combination of knockouts is factory installed at the top to minimize installation time.

### Slide-in Modular Design

Each individual slide-in module design allows for fast installation and provide flexibility for future needs. If the branch requirement changes, the module can be interchanged without changing the complete stack. By simply removing two screws from the front cover, the slide-in module can be removed for easy replacement.

### Entry Plates

Main cable tap boxes can be provided with punched or unpunched aluminum or fiber entry plates.

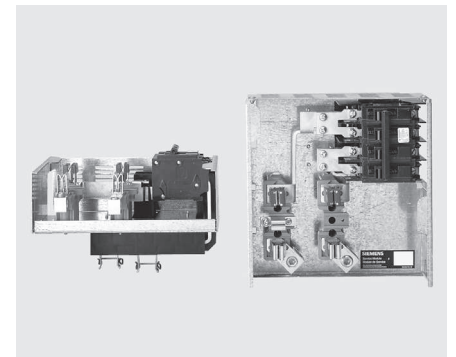
### Branch Circuit Breakers

Compact, high performance type plug-in or bolt-on circuit breakers can be selected to address site requirements. Interrupting ratings up to 100kA combine thermal and magnetic trip elements and feature: isolated pole construction with common trip bar for multiple pole devices; silver alloy contacts and high pressure straight-in load connectors.

Series rating are also available for approved combinations up to 100kA.

### Meter Socket Jaws

Meter socket jaws consist of tin plated copper with steel spring reinforced clips for reliable contact pressure. Positive alignment of jaws and stabs is assured by bus straps which are bolted in place.



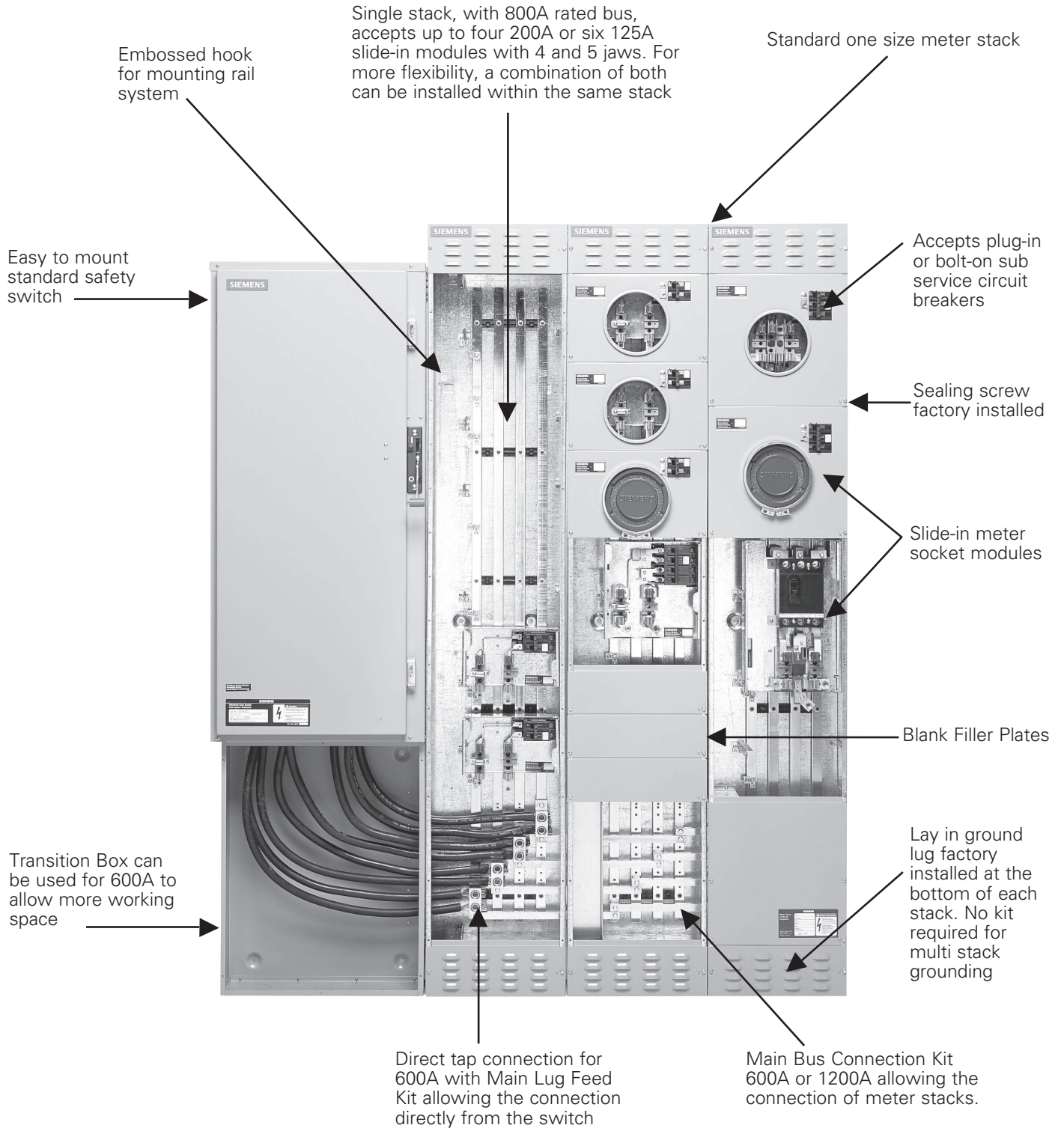
# Meter Centres

## 240V Modular Meter Centres

*Selection*

### Overview - Features & Benefits

2  
METER CENTRES



# Meter Centres

## 240V Modular Meter Centres

Selection

### Selection Procedure

1. Select service entrance equipment (ex. switch), reference p.2-6.
2. Select required Tap Box or Main Lug Feed Kit with or without a Transition Box.
3. Select type and quantity of slide-in Meter Socket Modules.
4. Select Main Bus Connector Kits to join each stack.
5. Select quantity of Blank Filler Plates as per left over empty space.

Examples - Typical 600A Main Service 120/240V 1Ø 3W c/w 16 x 100A and 1 x 200 sub-service breakers					
Option 1 c/w Tap Box & Bolt-on Breakers			Option 2 c/w Transition Box & Plug-in Breakers		
QTY	Catalogue Number	Description	QTY	Catalogue Number	Description
1	ID226 or HFC226N	Safety switch 600A 2p 240V	1	ID226 or HFC226N	Safety switch 600A 2p 240V
1	MLTB1-600	Standard Tap Box 600A	1	MTB-600	Transition Box 600A
4	MMS4-125	Meter socket module 125A 4 jaws	1	MLFK1	Main lug kit
2	MMC14-6125	Complete stack	4	MMS4-125	Meter socket module 125A 4 jaws
1	MMC1	Basic stack	1	MMS4-200	Meter socket module 200A 4 jaws
2	MBSS1-600	Main bus connector kit	2	MMC14-6125	Complete stack
1	MBHP-2	Blank filler plates	1	MMC1	Basic stack
16	BQ2B100	100A Bolt-on breaker	2	MBSS1-600	Main bus connector kit
1	MTRK-64	Wall mounting rail	1	MBHP-2	Blank filler plates
			16	Q2100	100A Plug-in breaker
			1	EQ9685	200A Plug-in breaker
			1	MTRK-64	Wall mounting rail

### Reference Chart: Number of Blank Filler Plate Kits Required

Refer to this chart to calculate how many Blank Filler Plate Kits are needed in a meter stack after the quantity of Meter Socket Module is determined.			
Catalogue Number	Description	Height in modules (1 module = 8 <sup>7</sup> / <sub>8</sub> " = 125 mm)	Qty of kits #MBHP-2 (2 plates/kit)
MMC1 & MMC3	Basic meter stack	6 modules	6
MMS4-125	Meter socket module 125A 4 jaws	1 module	1
MMS5-125	Meter socket module 125A 5 jaws	1 module	1
MMS4-200	Meter socket module 200A 4 jaws	1.5 modules	2
MMS5-200	Meter socket module 200A 5 jaws	1.5 modules	2
MMS7-100	Meter socket module 100A 7 jaws	1.5 modules	2

# Meter Centres

## 240V Modular Meter Centres

Selection

METER CENTRES 2

### Fusible Switches<sup>①</sup>

System	Ampere Rating	Catalogue Number	Cable lug size per phase - suitable for Al. and Cu.	Dimensions - Inches (mm)			Weight - lbs.(kg)
				H	W	D	
120/240 1Ø 3W	400	ID225	(1) 1/0 AWG - 750 Kcmil or (2) 1/0 AWG - 250 Kcmil	40 (1016)	18 <sup>1/2</sup> (470)	12 <sup>1/16</sup> (306)	78 (35.4)
	600	ID226	(2) 1/0 AWG - 750 Kcmil or (4) 1/0 AWG - 250 Kcmil	48 (1219)	21 <sup>1/2</sup> (546)	12 <sup>1/16</sup> (306)	92 (41.7)
	800	HFC227N	(1) 1/0 AWG - 750 Kcmil	67 <sup>3/16</sup> (1706)	39 <sup>15/16</sup> (1015)	9 <sup>1/4</sup> (235)	365 (65.6)
	1200	HFC228N	(2) 1/0 AWG - 750 Kcmil	67 <sup>3/16</sup> (1706)	39 <sup>15/16</sup> (1015)	9 <sup>1/4</sup> (235)	385 (174.6)
120/208 3Ø 4W	400	ID425	(1) 1/0 AWG - 750 Kcmil or (2) 1/0 AWG - 250 Kcmil	40 (1016)	18 <sup>1/2</sup> (470)	12 <sup>1/16</sup> (306)	92 (41.7)
	600	ID426	(2) 1/0 AWG - 750 Kcmil or (4) 1/0 AWG - 250 Kcmil	48 (1219)	21 <sup>1/2</sup> (546)	12 <sup>1/16</sup> (306)	108 (49)
	800	HFC367N	(1) 1/0 AWG - 750 Kcmil	67 <sup>3/16</sup> (1706)	39 <sup>15/16</sup> (1015)	9 <sup>1/4</sup> (235)	375 (170.1)
	1200	HFC368N	(2) 1/0 AWG - 750 Kcmil	67 <sup>3/16</sup> (1706)	39 <sup>15/16</sup> (1015)	9 <sup>1/4</sup> (235)	395 (179.1)


### Standard Tap Boxes<sup>②</sup> - Connectors included

System	Ampere Rating	Catalogue Number	Cable lug size per phase - suitable for Al. and Cu cables <sup>③</sup>	Dimensions - Inches (mm)			Weight - lbs.(kg) <sup>④</sup>
				H	W	D	
120/240 1Ø 3W	400/600	MLTB1-600	(3) #2 AWG - 600 Kcmil	25 <sup>3/4</sup> (655)	20 <sup>1/2</sup> (521)	7 <sup>1/4</sup> (184)	40 (18.2)
	800/1200	MLTB1-1200 <sup>⑤</sup>	(4) 1/0 AWG - 750 Kcmil	25 <sup>3/4</sup> (655)	20 <sup>1/2</sup> (521)	7 <sup>1/4</sup> (184)	45 (20.5)
120/208 3Ø 4W	400/600	MLTB3-600	(3) #2 AWG - 600 Kcmil	25 <sup>3/4</sup> (655)	20 <sup>1/2</sup> (521)	7 <sup>1/4</sup> (184)	40 (18.2)
	800/1200	MLTB3-1200 <sup>⑤</sup>	(4) 1/0 AWG - 750 Kcmil	25 <sup>3/4</sup> (655)	20 <sup>1/2</sup> (521)	7 <sup>1/4</sup> (184)	45 (20.5)


### Feed Through Tap Boxes<sup>⑥</sup> - Connectors included, use with even number of meter stacks only

120/240 1Ø 3W	400/600	MLTB1-600FT	LUG (4) 250-750MCM or (8) 3/0-250MCM PER PHASE	25 <sup>3/4</sup> (655)	20 <sup>1/2</sup> (521)	7 <sup>1/4</sup> (184)	45 (20.5)
	800/1200	MLTB1-1200FT <sup>⑤</sup>	LUG (8) 1/0-750MCM PER PHASE	46 <sup>1/4</sup> (1175)	24 (610)	7 <sup>1/4</sup> (184)	60 (27.3)
120/208 3Ø 4W	400/600	MLTB3-600FT	LUG (4) 250-750MCM or (8) 3/0-250MCM PER PHASE	25 <sup>3/4</sup> (655)	20 <sup>1/2</sup> (521)	7 <sup>1/4</sup> (184)	45 (20.5)
	800/1200	MLTB3-1200FT <sup>⑤</sup>	LUG (8) 1/0-750MCM PER PHASE	46 <sup>1/4</sup> (1175)	24 (610)	7 <sup>1/4</sup> (184)	60 (27.3)

### Main Lug Feed Kit - For direct tap (no tap box) from safety switch to meter stack

System	Ampere Rating	Catalogue Number	Cable lug size per phase - suitable for Al. and Cu cables	Use with Meter Module Type	Weight - lbs.(kg)	 MLFK1
120/240 1Ø 3W	400/600	MLFK1	(1) 250 Kcmil - 750 Kcmil Cu/Al or (2) 3/0 AWG - 250 Kcmil Cu/AL	MMC1 or MMC14-6125	2 <sup>1/2</sup> (1.1)	
120/208 3Ø 4W	400/600	MLFK3	(1) 250 Kcmil - 750 Kcmil Cu/Al or (2) 3/0 AWG - 250 Kcmil Cu/AL	MMC3 or MM35-6125	3 (1.3)	

### Transition Box - Allows more working space to connect on Main Lug Feed Kit

System	Ampere Rating	Catalogue Number	Dimensions - Inches (mm)			Weight - lbs.(kg)	 MTB-600
			H	W	D		
120/240 1Ø 3W	400/600	MTB-600	25 <sup>3/4</sup> (655)	20 <sup>1/2</sup> (521)	7 <sup>1/4</sup> (184)	30 (13.7)	
120/208 3Ø 4W							

① Fusible switch can be mounted directly next to metering stack with a Standard Tap Box or with a Main Lug Feed Kit (with or without Transition Box).

② Tap Box mounts directly next to the Meter Stack and is required to accommodate incoming main service cable, unless Main Lug Feed Kit is used. Suitable for left and right side entry.

③ Can be used with even and odd number of metering stacks. In addition, for odd number of stack connections, adaptor kit #MTBK12 must be used.

④ Weight is based on 3Ø 4W system (Heaviest pcs).

⑤ Feed through tap boxes are required when the main incoming cables enter and exit at the same end of line up.

⑥ Module comes factory assembled for left hand side entry. For right hand side entry, bus bars and insulated supports must be moved at the other hole set, marked with an "R", before wall installation.

⑦ For optional lugs, please contact your Siemens sales representative.



# Meter Centres

## 240V Modular Meter Centres

*Selection*

- 240V modular meter centre is built for cold metering
- Load cables can exit from the top or the bottom of the stack
- Meter stack comes standard with knock-outs on the top tub end (see p. 2-15)<sup>③</sup>

**Basic Meter Stack** - Meter socket modules and front blank plates must be ordered separately

Main Service Voltage	Sub-service Voltage	Catalogue Number	Max. number of sub-service meter per stack <sup>①</sup>		Dimensions - Inches (mm)			Height - MOD	Weight - lbs.(kg)
			125A	200A	H	W	D		
120/240 1Ø3W	120/240 1Ø3W	<b>MMC1</b>	6	4	78 (1981)	14 (356)	7 1/4 (184)	6	67 (30.4)
120/208 3Ø4W	120/208 3Ø4W	<b>MMC3</b>	6	4					67 (31.8)
120/208 3Ø4W	120/208 3Ø4W	<b>MMC3</b> (with QJ/QR sub-service breaker)	4	2					

2  
METER  
CENTRES

**Complete Meter Stack<sup>②</sup>** - Meter socket modules included

Main Service Voltage	Sub-service Voltage	Catalogue Number	Sub-service Meter Socket included	Dimensions - Inches (mm)			Height - MOD	Weight - lbs.(kg)
				H	W	D		
120/240 1Ø3W	120/240 1Ø3W	<b>MMC14-6125</b>	6 x MMS4-125	78 (1981)	14 (356)	7 1/4 (184)	6	109 (49.6)
120/208 3Ø4W	120/208 3Ø4W	<b>MMC35-6125</b>	6 x MMS5-125					112 (50.9)



- ① Provision only, breakers not included
- ② Complete meter stacks are factory balanced for ease of installation
- ③ Blank top end is also available on demand. Contact your Siemens sales representative.

# Meter Centres


## 240V Modular Meter Centres

*Selection*

### Meter Socket Module<sup>①</sup>

Sub-service Voltage	Meter Socket Rating	Catalogue Number	Number of Jaws	Breaker Provision type	Phase Connection	Height		Weight - lbs.(kg)
						in. (mm)	MOD	
120/240 1Ø3W	125A	MMS4-125	4	BQ, BQH, HBQ, Q, QP, QPH, HQP	AB	8 <sup>7/8</sup> (225)	1	7 (3.2)
	200A	MMS4-200	4	EQ96XX	AB	13 <sup>5/16</sup> (338)	1.5	11 (5)
		MMS4-200QR <sup>④</sup>	4	QR2, QRH2, HQR2				
120/208 3Ø4W	125A	MMS5-125	5 <sup>②</sup>	BQ, BQH, HBQ, Q, QP, QPH, HQP	AB <sup>③</sup>	8 <sup>7/8</sup> (225)	1	7 (3.2)
	200A	MMS5-200	5 <sup>②</sup>	EQ96XX	AB <sup>③</sup>	13 <sup>5/16</sup> (338)	1.5	11 (5)
		MMS5-200QR <sup>④</sup>	5 <sup>②</sup>	QR2, QRH2, HQR2				
	100A	MMS7-100	7 <sup>②</sup>	BQ, BQH, HBQ, Q, QP, QPH, HQP	AB <sup>③</sup>	13 <sup>5/16</sup> (338)	1.5	10 (4.6)
	200A	MMS7-200QR <sup>④</sup>	7 <sup>②</sup>	QR2, QRH2, HQR2 (3 phases)		26 <sup>5/8</sup> (676)	3	16 (7.3)

### Main Bus Connector Kit - Allows the connection of two meter stacks

Sub-service Voltage	Max. Ampere Rating	Catalogue Number	Use with Meter Module Type	Weight - lbs.(kg)	 <p><b>MBSS1-600</b></p>
120/240 1Ø3W	600A	MBSS1-600	MMC1 or MMC14-6125	3 (1.3)	
	1200A	MBSS1-1200		7 (3.18)	
120/208 3Ø4W	600A	MBSS3-600	MMC3 or MM35-6125	4 (1.82)	
	1200A	MBSS3-1200		10 (4.55)	

Meter Socket Modules	Cable lug size per phase - suitable for Al and Cu cables
MMS4-125	Load: (1) #14 AWG - 2/0 AWG
MMS4-200 MMS4-200QR	Load: (1) #6 AWG - 250 Kcmil
MMS5-125	Load: (1) #14 AWG - 2/0 AWG
MMS5-200 MMS5-200QR	Load: (1) #6 AWG - 250 Kcmil
MMS7-100	Load: (1) #14 AWG - 2/0 AWG
MMS7-200QR	Load: (1) #6 AWG - 250 Kcmil

① Provision only, breakers not included

② Meter socket modules with 5 and 7 jaws can be assembled in the same meter stack as long as the system is balanced.

③ MMS5-125 and MMS5-200 have AB phase connections by default. Phasing connections can be changed on the field to AC or BC to balance the load on the system.

④ Meter modules for QJ type breakers (MMS4-200QJ, MMS5-200QJ, MMS7-200) have been replaced by meter modules for QR type breakers.

# Meter Centres

## 240V Modular Meter Centres

Selection

**Sub-service Circuit Breakers** - Maximum interruption rating for 240V AC

- Mounting hardware for BQ breakers must be ordered separately (#8217-6, #8217-12, #8217-100, #8217-200)

Ampere Rating	Poles	Catalogue Number					
		KAIC = 10kA		KAIC = 22kA		KAIC = 65kA	
		Plug-in	Bolt-on	Plug-in	Bolt-on	Plug-in	Bolt-on
60A <sup>Ⓞ</sup>	2	Q260	BQ2B060	Q260H	BQ2B060H	Q260HH	HB2B060
	3	Q360	BQ3B060	Q360H	BQ3B060H	Q360HH	HB3B060
70A	2	Q270	BQ2B070	Q270H	BQ2B070H	Q270HH	HB2B070
	3	Q370	BQ3B070	Q370H	BQ3B070H	Q370HH	HB3B070
80A	2	Q280	BQ2B080	Q280H	BQ2B080H	Q280HH	HB2B080
	3	Q380	BQ3B080	Q380H	BQ3B080H	Q380HH	HB3B080
90A	2	Q290	BQ2B090	Q290H	BQ2B090H	Q290HH	HB2B090
	3	Q390	BQ3B090	Q390H	BQ3B090H	Q390HH	HB3B090
100A	2	Q2100	BQ2B100	Q2100H or EQ9675	BQ2B100H	Q2100HH	HB2B100
	3	Q3100	BQ3B100	Q3100H	BQ3B100H	Q3100HH	HB3B100
110A	2	Q2110	BQ2B110	Q2110H	BQ2B110H	Q2110HH	N/A
	3	Q3110	N/A	Q3110H	N/A	Q3110HH	N/A
125A	2	Q2125	BQ2B125	Q2125H or EQ9677	BQ2B125H	Q2125HH	HQR23B125
	3	N/A	QR23B125	N/A	QRH23B125	N/A	HQR23B125
150A	2	EQ9683	QR22B150	EQ9683	QRH22B150	N/A	HQR22B150
	3	N/A	QR23B150	N/A	QRH23B150	N/A	HQR23B150
175A	2	N/A	QR22B175	EQ9684	QRH22B175	N/A	HQR22B175
	3	N/A	QR23B175	N/A	QRH23B175	N/A	HQR23B175
200A	2	EQ9685	QR22B200	EQ9685	QRH22B200	N/A	HQR22B200
	3	N/A	QR23B200	N/A	QRH23B200	N/A	HQR23B200

**Note:** Low amperage circuit breakers (15-60A) available with installation of connector kit #MSMK-50

**Corner Elbow Modules** - Permit continuation from stack to stack around corners

System Voltage	Ampere Rating	Catalogue Number	Dimensions - Inches (mm)			Weight - lbs.(kg)
			H	W	D	

### Inside Elbow Modules

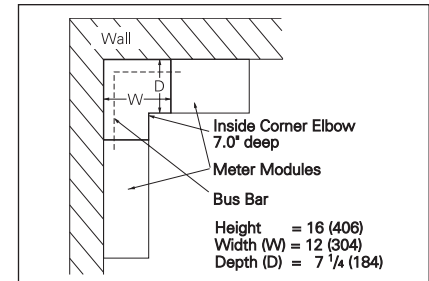
120/240 1Ø3W	600	MEL1-IN-6	16 (406)	12 (304)	7 1/4 (184)	45 (20)
	1200	MEL1-IN-12				
120/208 3Ø4W	600	MEL3-IN-6				50 (23)
	1200	MEL3-IN-12				

### Outside Elbow Modules

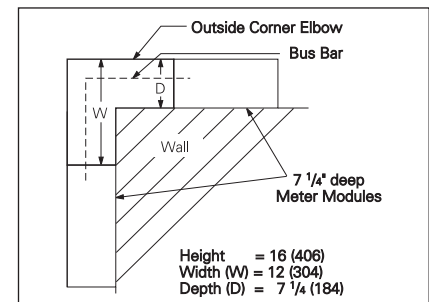
120/240 1Ø3W	600	MEL1-OUT-6	16 (406)	12 (304)	7 1/4 (184)	45 (20)
	1200	MEL1-OUT-12				
120/208 3Ø4W	600	MEL3-OUT-6				50 (23)
	1200	MEL3-OUT-12				

**Note:** To connect a Tap Box to an Elbow, order **MTBELK6** or **MTBELK12**. Connection from feed-through tap box 1200A to an elbow is not possible.

### Inside



### Outside



Ⓞ Connector kit #MSMK-50 is required for 60A breaker installation.

# Meter Centres

## 240V Modular Meter Centres

Selection

### Accessories

2  
METER  
CENTRES

Catalogue Number	Description	Content
MBHP-2	Blank meter socket filler plate required to cover empty space, each steel plate has a dimension of 4.3 x 14.1 in.	2 half plates (1 MOD = 1 x MBHP-2)
MLTB-L2750	Alternative lug kit for 600A standard tap boxes	4 lugs 1/0 AWG - 750 Kcmil Al/Cu
MTBK12	Connection adaptor kit for tap box MLTB1-1200 or MLTB3-1200 when used for output with an odd number of meter stacks	4 connector spacers and hardware
MTRK-64	Wall mounting rail of 64 in., meter stack is supplied with embossed hooks for this mounting rail system	1 wall mounting track 64"
MTBELK6	Bus bar kit to connect a 600A standard or feed-through tap box via a 600A corner elbow	4 Bus Bars and hardware
MTBELK12	Bus bar kit to connect a 1200A standard tap box via a 1200A corner elbow	8 Bus bars and hardware
MSSR	Meter sealing ring	1 meter ring
MUJP-5	Jumper bar 200A max, 5 jaws, to jump a metering position when the meter has temporarily been removed	2 jumper bars
MUJP-7	Jumper bar 200A max, 7 jaws, to jump a metering position when the meter has temporarily been removed	3 jumper bars
SEALSC1	Sealing screw kit	25 sealing screws
SFLK-200	Subfeed lug kit 200A max.	4 lugs 6 AWG - 300 Kcmil Al/Cu
8217-6	BQ breaker mounting hardware	6 screws
8217-12	BQ breaker mounting hardware	12 screws
8217-100	BQ breaker mounting hardware	100 screws
8217-200	BQ breaker mounting hardware	200 screws



MBHP-2

### Replacement cover for Meter Socket Modules

Catalogue Number	Description	Content
MC4-125	125A 4 & 5-jaw front cover plate QP & BQ breakers	1 cover plate 1 sealing ring 1 sealing screw
MC4-200	200A 4 & 5-jaw front cover plate QP & BQ breakers	
MC4-200QR	200A 4 & 5-jaw front cover plate QR breaker	
MC7-100	100A 7-jaw front cover plate QP & BQ breakers	
MC7-200QR	200A 7-jaw front cover plate QR breaker	



MC4-125

### Tap Box Modification Kits

Catalogue Number	Description	Content
MLTB-AP	Al. plate punched for standard tap boxes and MLTB 600FT	1 tap box tub end
MLTB-AU	Al. plate unpunched for standard tap boxes and MLTB 600FT	
MLTB-AUFT	Al. plate unpunched for Feed-Through Tap Box 1200A	
MLTB-FP	Fiber plate punched for standard tap boxes and MLTB 600FT	
MLTB-FPFT	Fiber plate punched for Feed-Through Tap Box 1200A	
MLTB-FU	Fiber plate unpunched for standard tap boxes and MLTB 600FT	
MLTB-FUFT	Fiber plate unpunched for Feed-Through Tap Box 1200A	

**Note:** Multi-stack grounding is accomplished by running a bare wire through the factory installed lay-in lugs in the bottom of each stack. No grounding kit is required except when an elbow module is used.

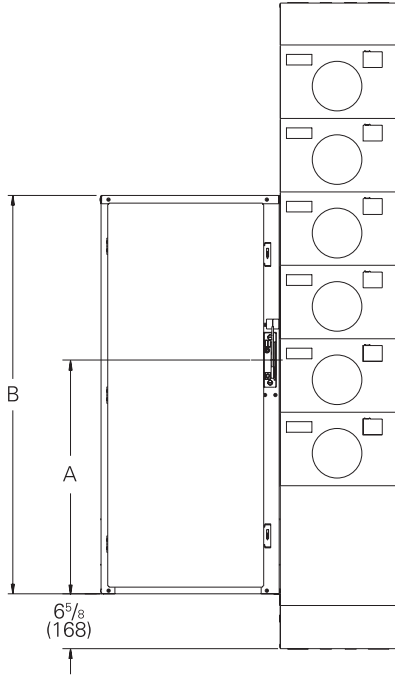
# Meter Centres

## 240V Modular Meter Centres

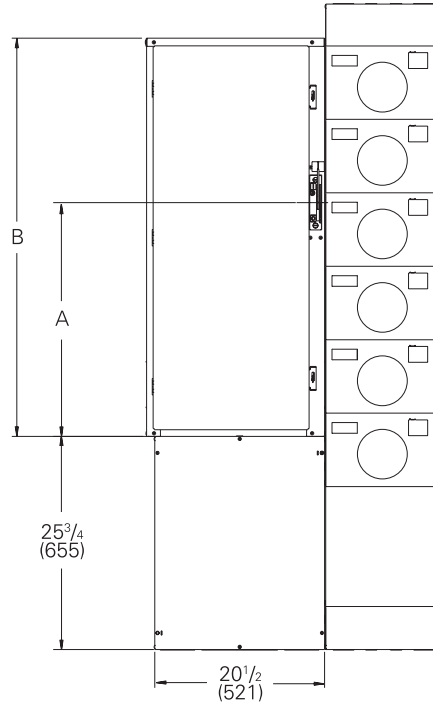
*Selection*

### Configurations with switch

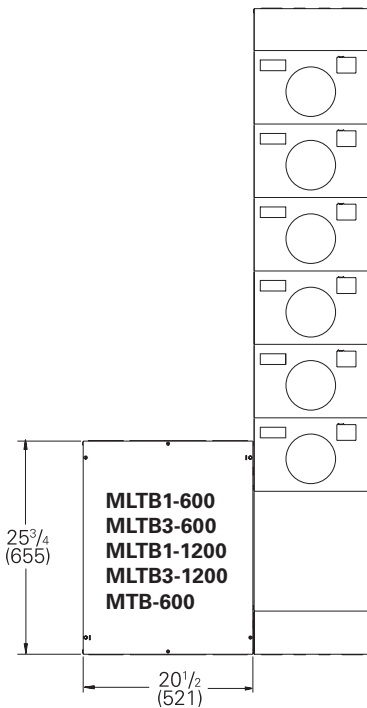
With Switch



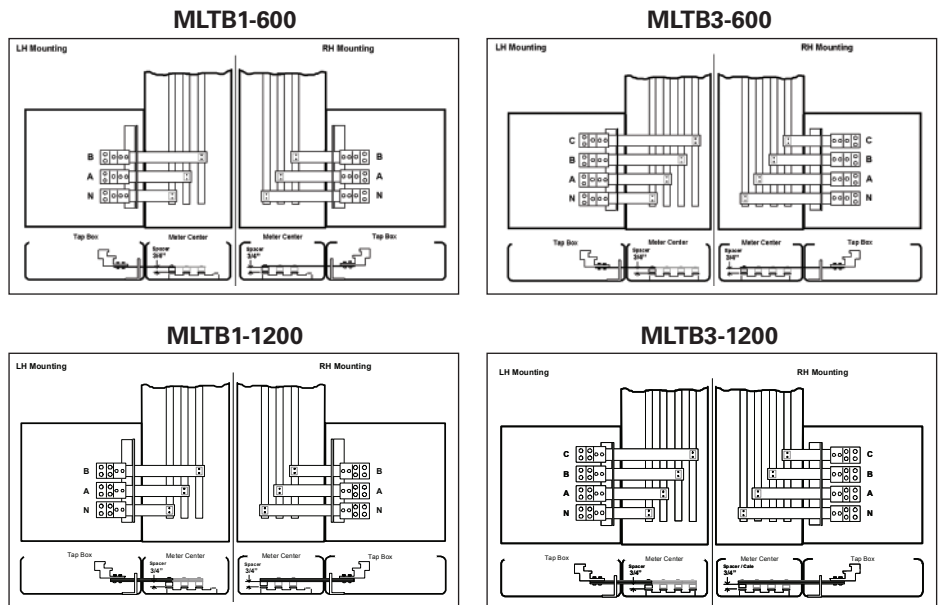
With Transition Box and Switch



### Configurations with Standard Tap Box or Transition Box



### Standard Tap Box connections

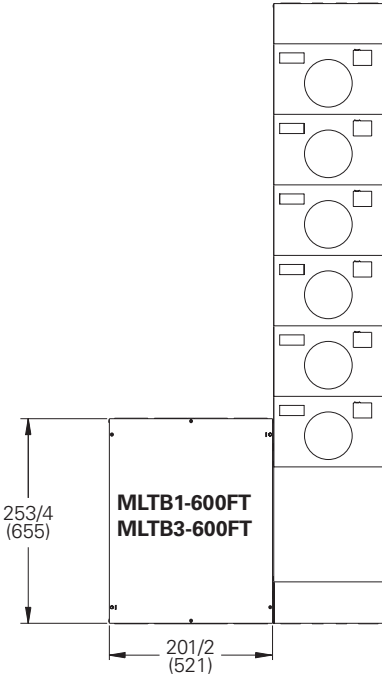


# Meter Centres

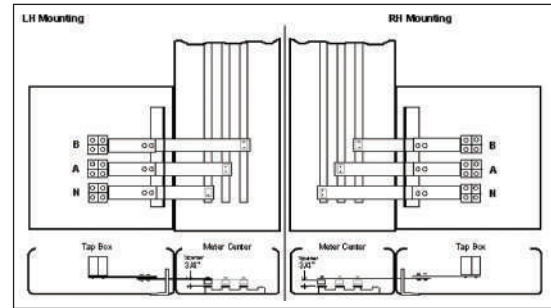
## 240V Modular Meter Centres

*Selection*

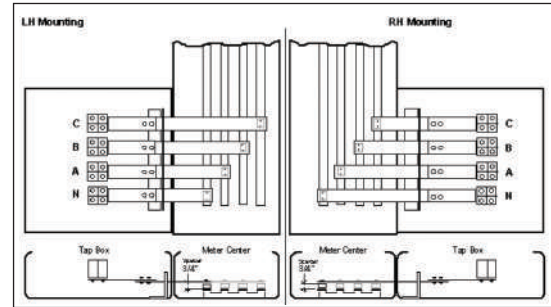
Configurations with feed through Tap Box 600A



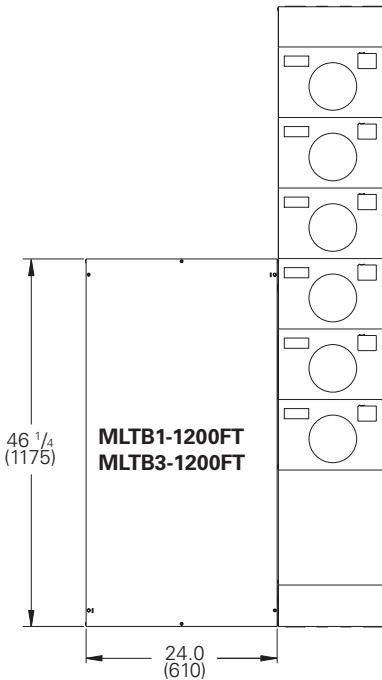
**MLTB1-600FT**



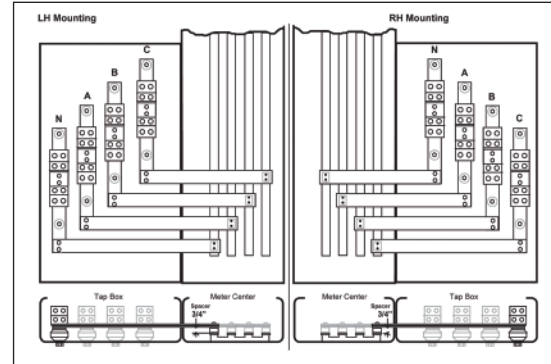
**MLTB3-600FT**



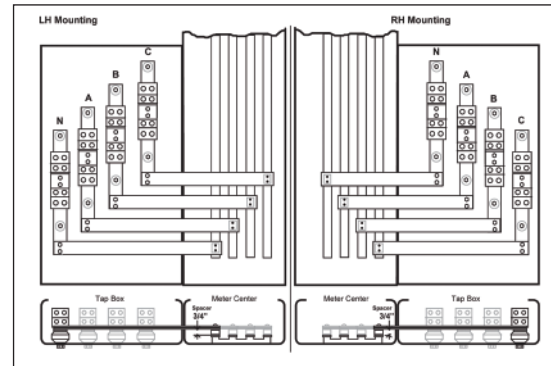
Configurations with feed through Tap Box 1200A



**MLTB1-1200FT**



**MLTB3-1200FT**



Note: For Feed-Through Tap Box 1200A, standard assembly is for left hand mounting. For right hand mounting, bus bar and insulated support must be moved at the other hole set (marked with an "R") before wall installation.



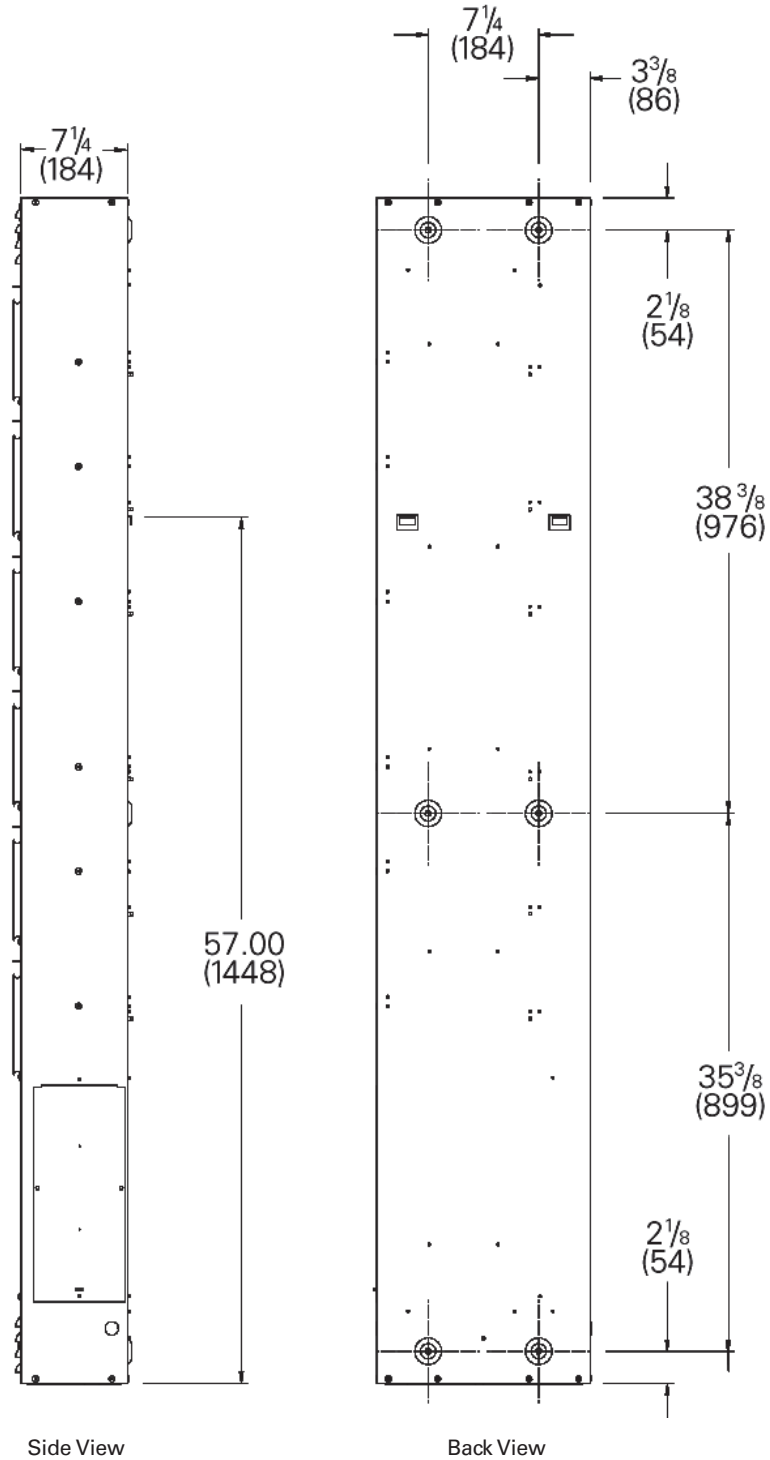
# Meter Centres

## 240V Modular Meter Centres

*Selection*

Meter Stack Mounting Dimensions - Inches (mm)

MMC1  
MMC3



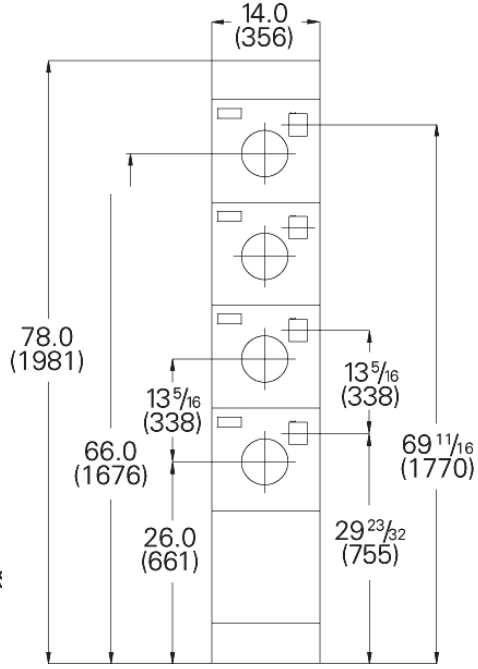
# Meter Centres

## 240V Modular Meter Centres

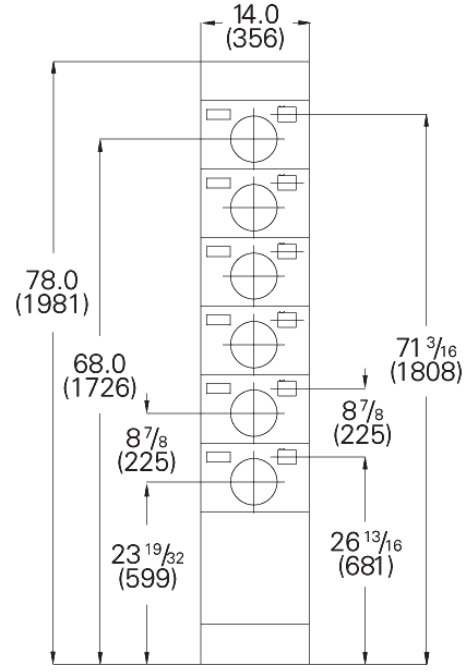
*Selection*

Meter Modules Dimensions - Inches (mm)

Meter Socket Module:  
**MMS7-100**



Meter Socket Modules:  
**MMS4-125**  
**MMS5-125**



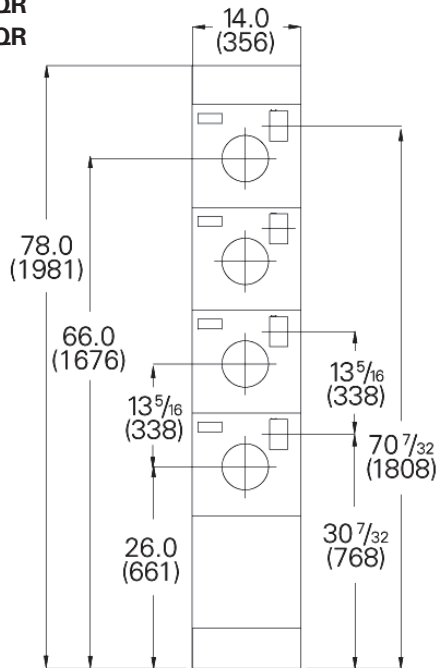
Meter Socket Modules:

**MMS4-200**

**MMS5-200**

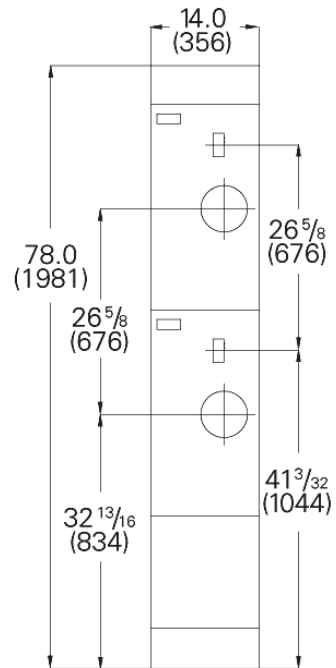
**MMS4-200QR**

**MMS5-200QR**



Meter Socket Module:

**MMS7-200QR**



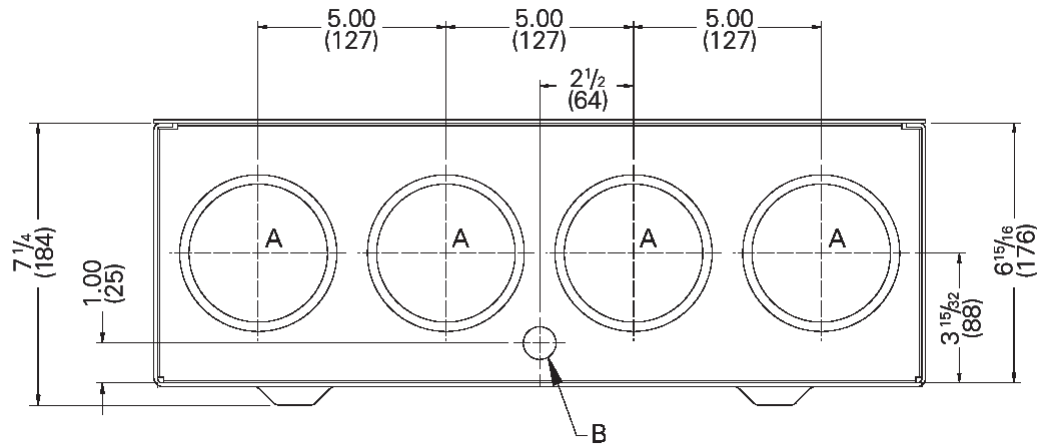
# Meter Centres

## 240V Modular Meter Centres

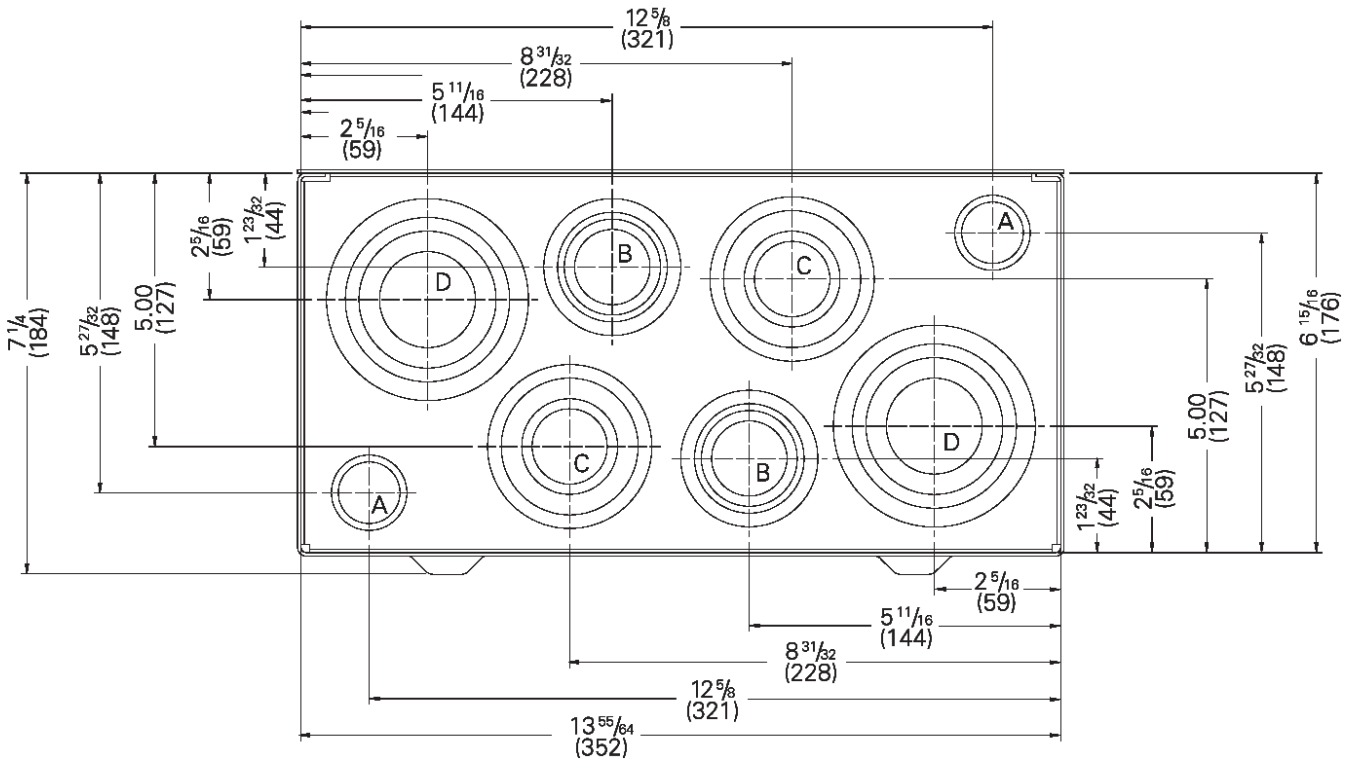
Selection

Knock Out Data for tap boxes tub end - Inches (mm)

B	1 <sup>1</sup> / <sub>4</sub> - 1 <sup>1</sup> / <sub>2</sub> - 2
A	3 - 3 <sup>1</sup> / <sub>2</sub>
Ref.	K.O. Trade Size



Knock Out Data for top meter stack tub end - Inches (mm)



1 <sup>1</sup> / <sub>4</sub> - 2 - 2 <sup>1</sup> / <sub>2</sub> - 3	D
1 - 1 <sup>1</sup> / <sub>4</sub> - 2 - 2 <sup>1</sup> / <sub>2</sub>	C
1 - 1 <sup>1</sup> / <sub>4</sub> - 1 <sup>1</sup> / <sub>2</sub> - 2	B
3/4 - 1	A
K.O. Trade Size	Ref.

# Meter Centres

## 240V Modular Meter Centres

Reference

Layout example - Reference only

System: 120/240V 1Ph 3W, 10kA

**Dimension of each stack:**

**Height:** 78" (1981mm)

**Width:** 14" (356mm)

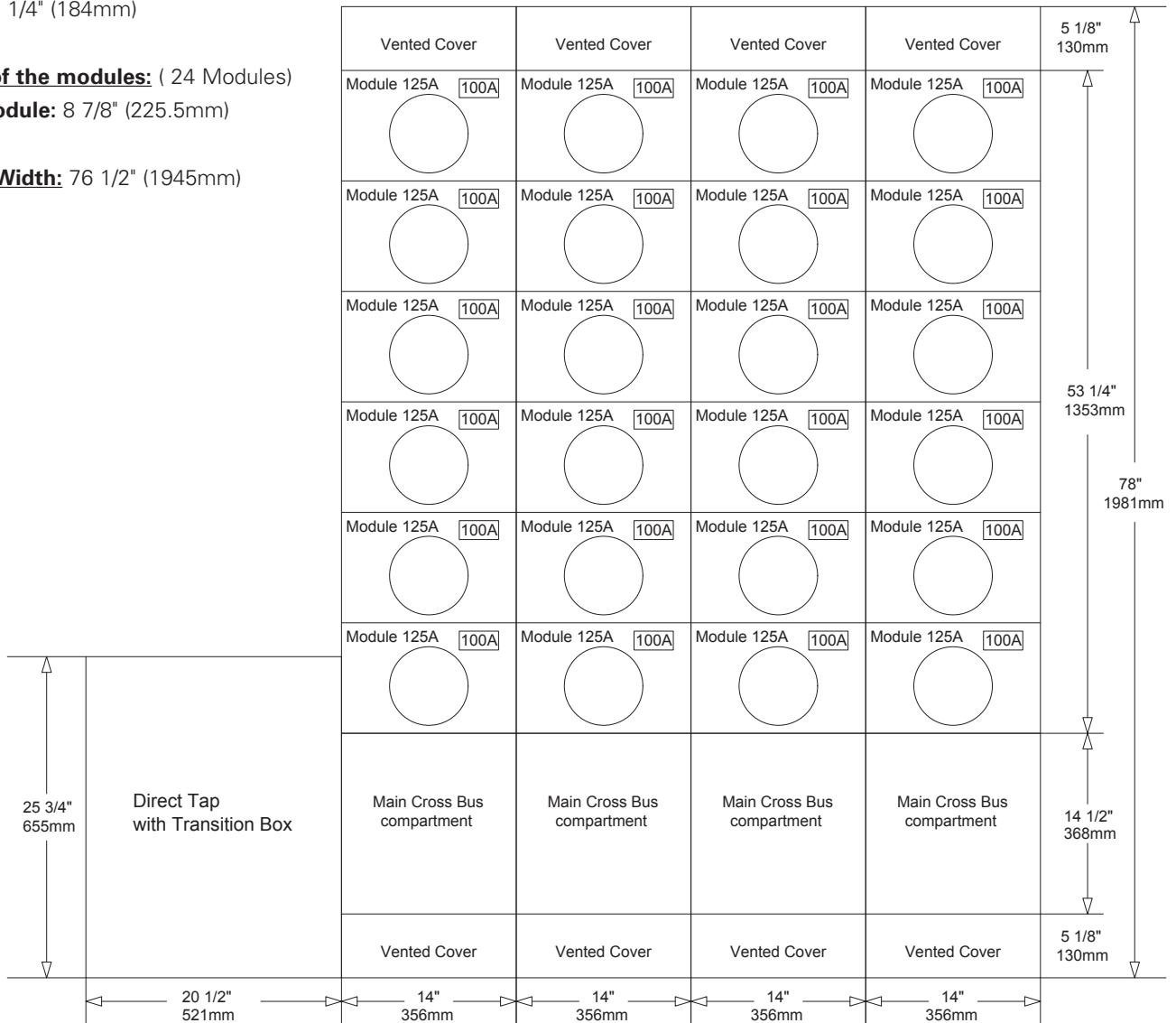
**Depth:** 7 1/4" (184mm)

**Height of the modules:** ( 24 Modules)

**125A Module:** 8 7/8" (225.5mm)

**Overall Width:** 76 1/2" (1945mm)

METER CENTRES 2



# Meter Centres

## 600Y/347V Meter Centre

General

### General Specifications

Siemens 600Y/347V metering line offers an ideal solution for restricted space projects. This metering solution for 600Y/347V applications has been designed in Canada based on contractors' feedback. Each meter stack houses features designed with the contractor in mind, to maximize productivity and minimize labour costs

### Voltage

600Y/347V AC

### Amperage

Horizontal bus bars rated for 1200A max.  
Vertical bus bars rated for 800A max.  
Meter socket rated for 200A max.

### Short Circuit rating

42,000A RMS symmetrical @ 600V max. when protected by 1200A maximum HRC class L type fuse

### Standard

CSA: C22.2 No. 229-M1988.  
Certified under file #153416

### Service

3-phase 4-wire 600Y/347Vac

### Enclosure

Type 1 enclosure. Meter stack comes standard with dripshield and blank end walls (no knockout). Meter stack enclosure, barriers and end plates are manufactured of galvanized steel. Front covers are fabricated of phosphatized steel finished with ASA 61 light grey paint.

### Meter Socket Jaws

Meter socket jaws consist of tin plated copper with steel spring reinforced clips for reliable contact pressure. Positive alignment of jaws and stabs is assured by bus straps factory installed.

### Sub-Service Breaker

High performance bolt-on circuit breakers can be selected to address site requirements from 70 to 200A. Interrupting ratings up to 25kA combine thermal and magnetic trip elements. Series rating is also available for approved combination up to 42kA when protected by 1200A maximum HRC class L type fuse.

### Breaker Provisions

Each 600V meter stack has provision for four 3-pole 200A max bolt-on type FXD6/HFXD6 circuit breaker. Non-interchangeable trip unit breakers must be used for this application. Generous gutter space allows for wiring for top or bottom of the meter module. All sub-service breaker mounting hardware is provided with each meter stack.

### Neutral & Ground Provisions

Each stack includes neutral & ground provisions.

Connectors	Wire size
Neutral	#6 @ 350MCM #14 @ 2
Ground	#6 @ 250MCM



### Features

- Robust and compact enclosure standard with dripshield
- Sturdy bussing connections providing durable support for each sub-service breaker
- Breaker and bus bar protection allowing screws recuperation
- Provision to padlock sub-service breaker in the "off" position
- Large wireway separated from meter area for easier connections.
- Trouble-free access to horizontal bars and easy access to cabling area
- Reliable and simple busbar to busbar connections

# Meter Centres

## 600Y/347V Meter Centre

*Selection*

600Y/347V Meter Stack<sup>①②</sup> – 2 versions available

- Cold metering
- Includes 4 meter sockets 7-jaw rated for 200A max
- Load cables can exit enclosure at top and/or bottom
- Removable bottom plate to facilitate drilling holes for cable entry
- Horizontal main bus bar rated for 1200A max
- Uses Siemens breakers 200A max, type FXD6 and HFXD6 only
- Includes provisions for 4 sub-service breakers, 200A max.
- Type 1 enclosure, standard with dripshield and blank end walls
- Mounting hardware for 4 breaker is included in each stack
- "HQ" version has hinges for wireway covers

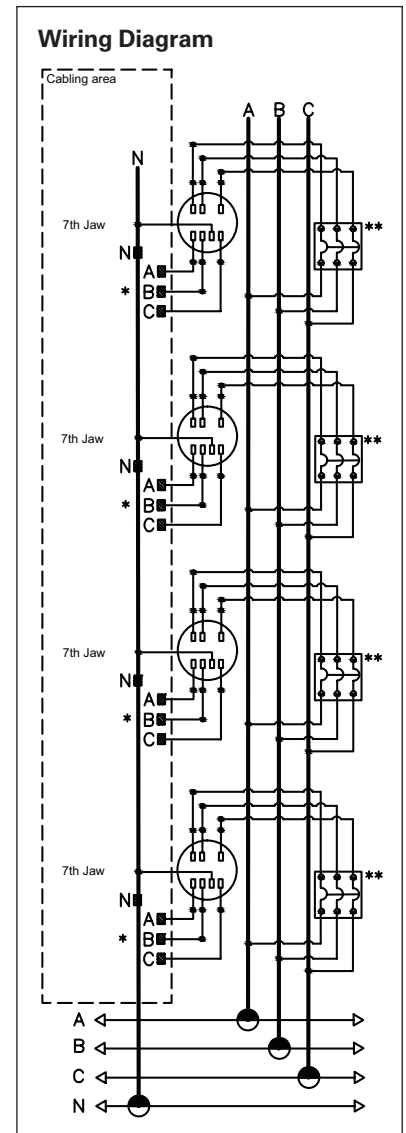
Main service voltage	Sub-service voltage	Catalogue number	Meter socket rating and number of jaws	Number of sub-service	Circuit breaker Type	Vertical Bus Bar rating (Amp)	Overall dimensions in inches (mm)			Weight - lbs (kg)
							H	W	D	
600Y/347V 3Ø4W	600Y/347V 3Ø4W	MMC37-42006	200A 7-Jaw	4	FXD6, HFXD6	800	76 <sup>1</sup> / <sub>4</sub> (1937)	20 <sup>5</sup> / <sub>8</sub> (524)	13 <sup>15</sup> / <sub>16</sub> (354)	220 (100)
		MMC37-42006HQ								



MMC37-42006



MMC37-42006HQ



① Sub-service breakers are not to exceed meter socket rating  
 ② Breaker provision only, breaker must be ordered separately. Breaker mounting hardware included with 600Y/347V meter stack.



# Meter Centres

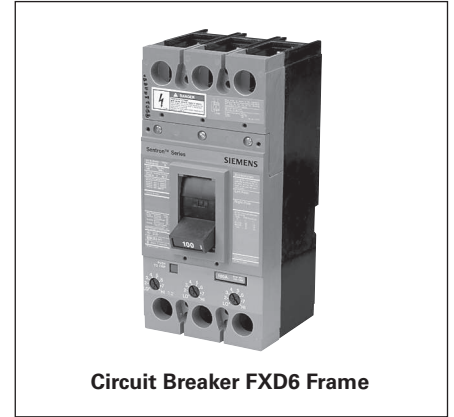
## 600Y/347V Meter Centre

Accessories

### Sub-service Circuit Breakers<sup>①</sup>

- Assembled circuit breaker without lugs (lugs not required for this application)
- Non-interchangeable trip only
- Breaker mounting hardware provided with meter stack
- Additional information on breaker available in section 5 page 5-24

Amperage Rating	Number of Poles	Max. interrupting rating for 600Y/347V	
		22 kA	25 kA
		Catalogue Number	Catalogue Number
70A	3	FXD63B070	HFXD63B070
80A	3	FXD63B080	HFXD63B080
90A	3	FXD63B090	HFXD63B090
100A	3	FXD63B100	HFXD63B100
110A	3	FXD63B110	HFXD63B110
125A	3	FXD63B125	HFXD63B125
150A	3	FXD63B150	HFXD63B150
175A	3	FXD63B175	HFXD63B175
200A	3	FXD63B200	HFXD63B200



2  
METER  
CENTRES

### Standard Tap Boxes

- "IN" lugs included
- Suitable for left and right hand side entry (standard configuration is left hand side)

Main service	Amperage Rating (Amp)	Catalogue Number	Cable lug size per phase - suitable for Al and Cu cables	Overall Dimensions - Inches (mm)			Weight - lbs (kg)
				H	W	D	
600Y/347V 3Ø4W	600	MLTB3-6006	(1) 1/0 @ 750MCM Cu/Al	25 <sup>1/8</sup> (638)	27 <sup>1/4</sup> (692)	13 <sup>15/16</sup> (354)	68 (30.8)
	1200	MLTB3-12006	(1) 1/0 @ 750MCM Cu/Al	25 <sup>1/8</sup> (638)	27 <sup>1/4</sup> (692)	13 <sup>15/16</sup> (354)	70 (31.8)

### Feed Through Tap Boxes

- "IN" and "OUT" lugs included
- Feed Through tap boxes are suitable for left and right hand side entry

Main service	Amperage Rating (Amp)	Catalogue Number	Cable lug size per phase - suitable for Al. And Cu cables	Overall Dimensions - Inches (mm)			Weight - lbs (kg)
				H	W	D	
600Y/347V 3Ø4W	600	MLTB3-600FT6	(4) 250 @ 750 MCM Cu/Al or (8) 3/0 @ 250 MCM Cu/AL	25 <sup>1/8</sup> (638)	27 <sup>1/4</sup> (692)	13 <sup>15/16</sup> (354)	74 (33.6)
	1200	MLTB3-1200FT6	(8) 1/0 @ 750 MCM Cu/Al	50 <sup>5/8</sup> (1285)	27 <sup>1/4</sup> (692)	13 <sup>15/16</sup> (354)	145 (65.8)



<sup>①</sup> Breaker mounting hardware kit included with 600V meter stack.

# Meter Centres

## 600Y/347V Meter Centre

*Selection*

### Close coupled option with Siemens SMP switchboard

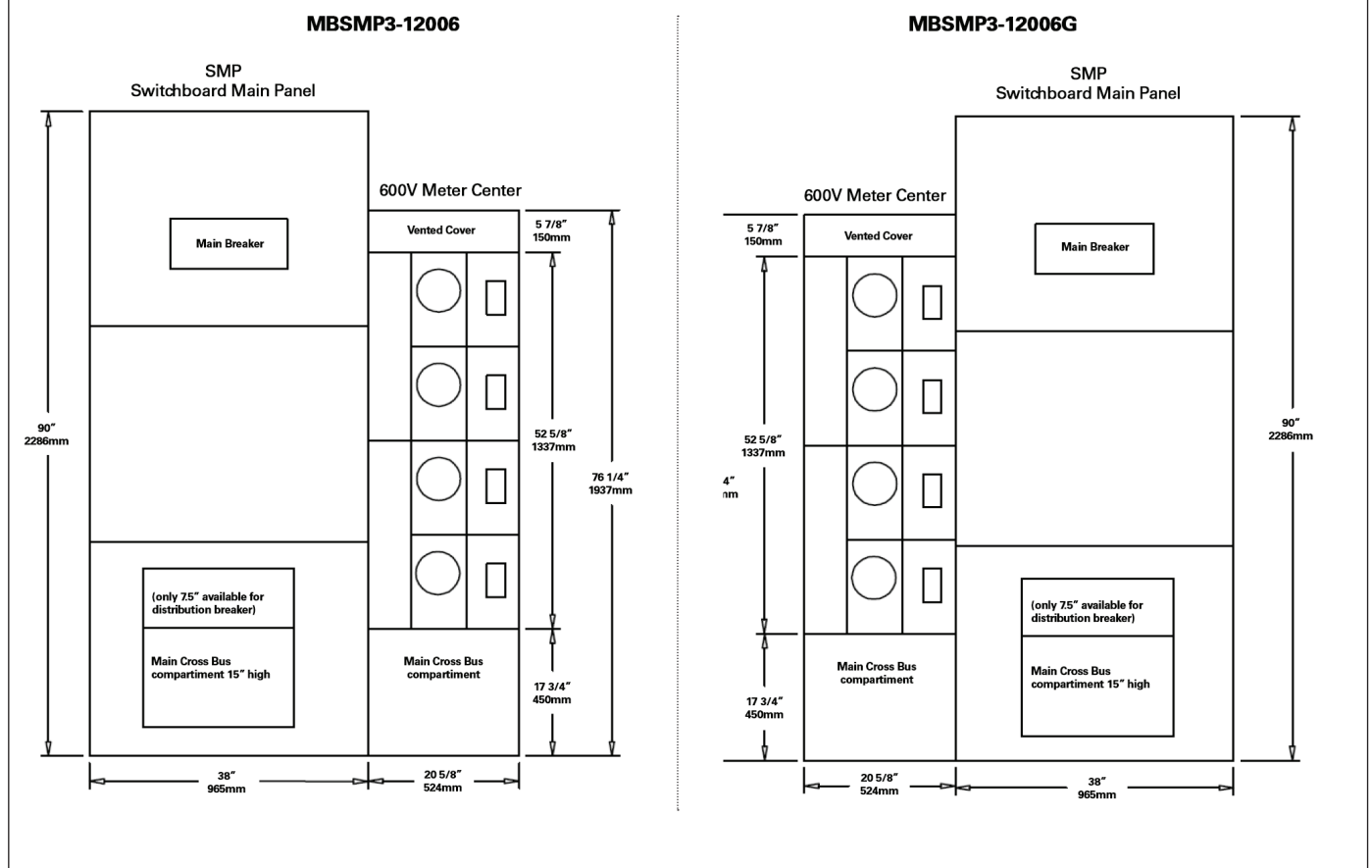
- SMP must have main breaker at top of the section
- Sill channel optional
- Close coupled option available for 1200A only
- Main bus connector kit required to connect stack with SMP. Main bus kit needs 15" high of space at the bottom of the SMP distribution section. In SMP with Hydro compartment, only 7.5" available for distribution breakers, just below the Hydro compartment.
- Suitable for left and right hand side entry based on main bus connector kit selection (standard configuration is left hand side entry as displayed below)

### Main Bus Connector Kit

- Kit includes optional meter centre sill channel

Main service Voltage	Amperage Rating (Amp)	Catalogue Number	Description	Weight in lbs (kg)
600Y/347V 3Ø4W	1200	<b>MBSMP3-12006</b>	SMP Connector kit 1200A Max	12 (5.4)
	1200	<b>MBSMP3-12006G</b>	SMP Connector kit 1200A Max (left)	12 (5.4)

Meter centre MMC37-42006 with bus bar joining kit MBSMP3-12006 (where Meter Centre is on the right of the SMP) and with MBSMP3-12006G (where Meter Centre is on the left of the SMP) – Inches (mm)



# Meter Centres

## 600Y/347V Meter Centre

Accessories

### Main Bus Link Connector Kits

- Main Bus Link Connector Kits are required for each additional stack when joining two or more meter stacks.
- The first stack installation does not require bus links when installed with a tap box (standard or Feed through). The tap box is supplied with main service lugs and bus bar link connectors.

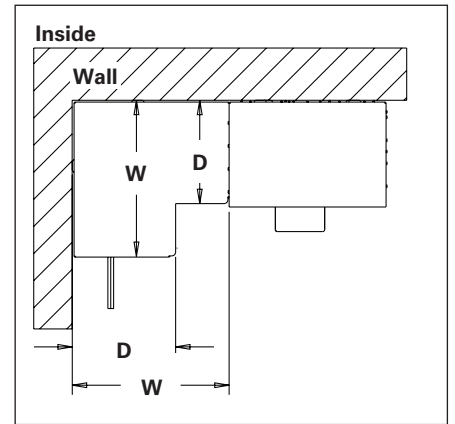
Main service	Amperage Rating	Catalogue Number	Description	Weight - lbs (kg)
600Y/347V 3Ø4W	600	<b>MBSS3-6006</b>	Stack to stack connector kit 600A	2 (0.9)
	1200	<b>MBSS3-12006</b>	Stack to stack connector kit 1200A	4 (1.8)



### Inside Elbow Modules

- Allow the continuation from stack to stack around wall corners.
- Can be mounted on the left and right hand side of the meter centre.

Main service	Amperage Rating	Catalogue Number	Overall Dimensions - Inches (mm)			Weight - lbs (kg)
			H	W	D	
600Y/347V 3Ø4W	600	<b>MEL3-IN-6006</b>	17 <sup>1</sup> / <sub>2</sub> (406)	20 <sup>1</sup> / <sub>2</sub> (521)	13 <sup>1</sup> / <sub>2</sub> (343)	65 (29.5)
	1200	<b>MEL3-IN-12006</b>	17 <sup>1</sup> / <sub>2</sub> (406)	20 <sup>1</sup> / <sub>2</sub> (521)	13 <sup>1</sup> / <sub>2</sub> (343)	75 (34.0)



Left mounting shown. Can be mounted on the right side of the meter stack if needed.

### Accessories

Catalogue Number	Description	Content
<b>SFLK-2006</b>	Branch sub-feed lug kit, 600V	4 lugs
<b>MSSR</b>	Meter sealing ring	1 meter ring
<b>MUJP-7</b>	Jumper bars 7 jaws 200A	3 jumper bars
<b>MBP2006</b>	Blank meter plate covering meter socket and breaker provision	1 blank plate



### Replacement Parts

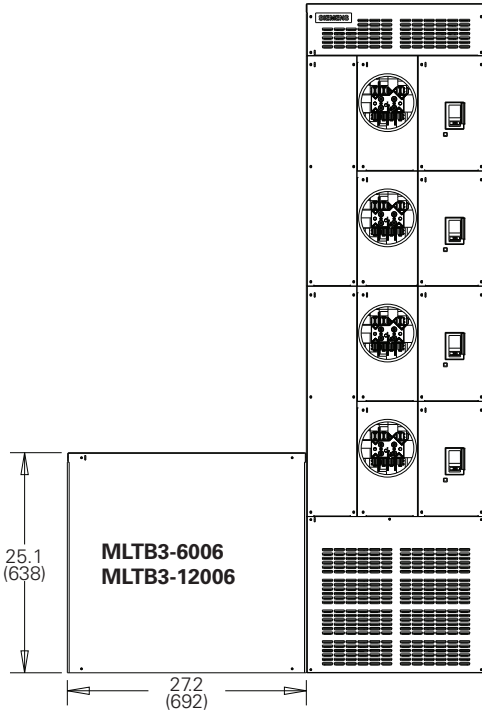
Catalogue Number	Description	Content
<b>MC7-200WS</b>	Repl Front cover wiring section	1 replacement plate and Mounting hardware
<b>MC7-200WSHQ</b>	Repl Front cover wiring section for HQ version	
<b>MC7-200FD6</b>	Repl Front cover breaker section	
<b>MC7-2006TC</b>	Repl Top cover plate	
<b>MC7-2006BC</b>	Repl Bottom cover plate	
<b>MC7-2006AP</b>	Repl Access plate	
<b>MC7-200600</b>	Repl Front meter socket cover	
<b>SCR-6006</b>	Repl screws Stack to stack conn kit 600A	12 carriage bolt screws, washers & nuts.
<b>SCR-12006</b>	Repl screws Stack to stack conn kit 1200A	4 regular screws & washers
<b>SCRFXD6</b>	Repl breaker mounting screws	6 allen key type screws & washers. 2 long screws for breaker support

# Meter Centres

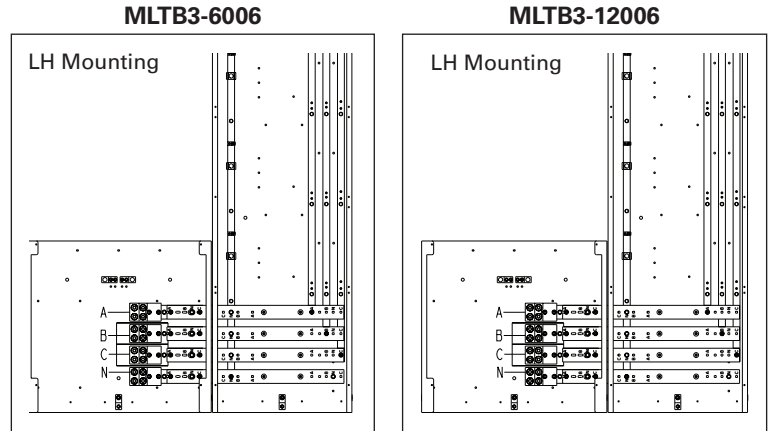
## 600Y/347V Meter Centre

*Selection*

Configuration with standard Tap Box - Inches (mm)

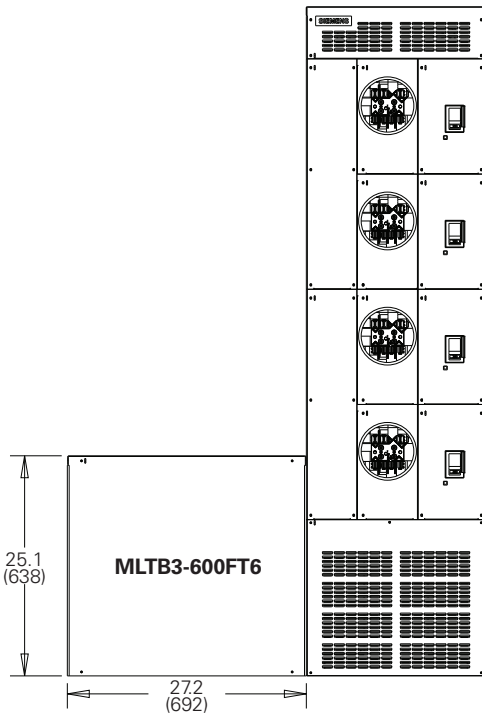


### Standard tap box connections

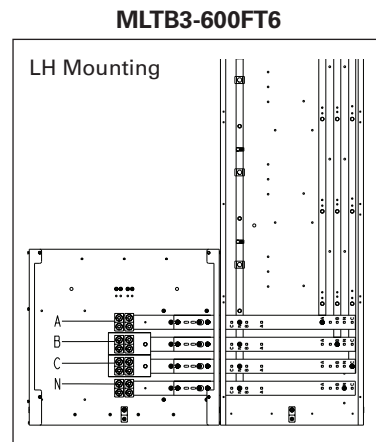


Note: Standard tap box can be mounted on the right hand side of the meter stack if needed.

Configuration with feed-through tap box 600A - Inches (mm)



### 600A feed-through tap box connections



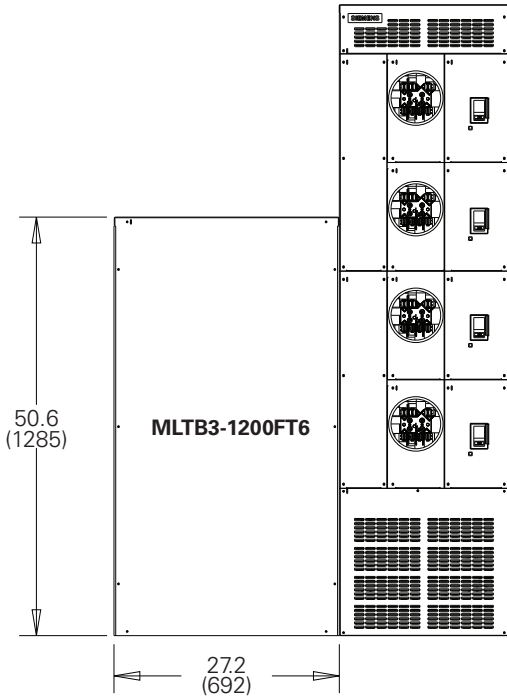
Note: 600A Feed-through tap box can be mounted on the right hand side of the meter stack if needed.

# Meter Centres

## 600V/347V Meter Centre

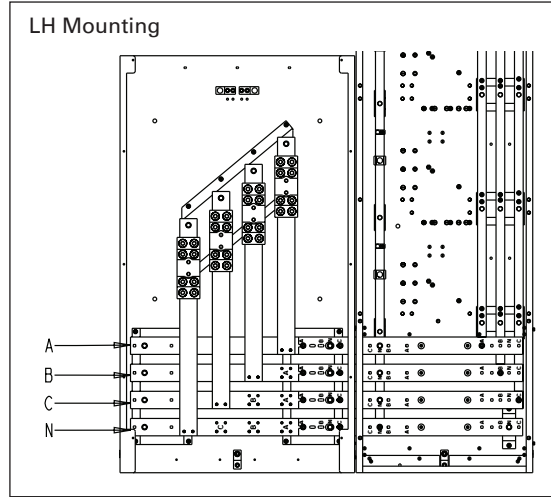
*Selection*

Configuration with feed-through tap box 1200A - Inches (mm)



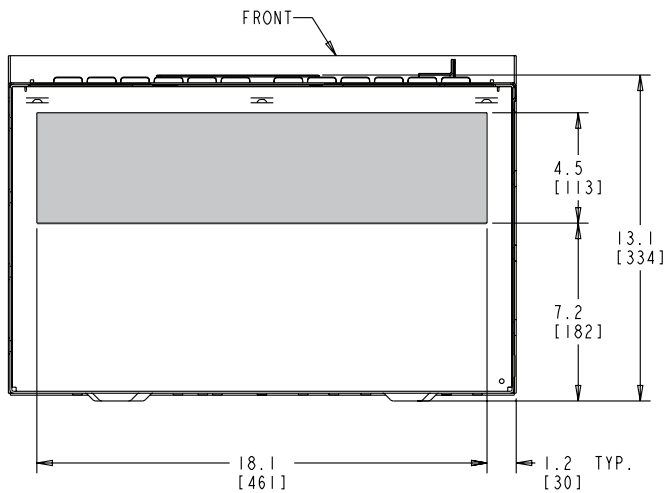
### 1200A feed-through tap box connections


#### MLTB3-1200FT6



Note: 1200A feed-through tap box can be mounted on the right-hand side of the meter stack if needed.

### Bottom plate for 600V Meter stack - Inches (mm)



 Section can be easily removed to allow contractor to drill entry hole outside the equipment.

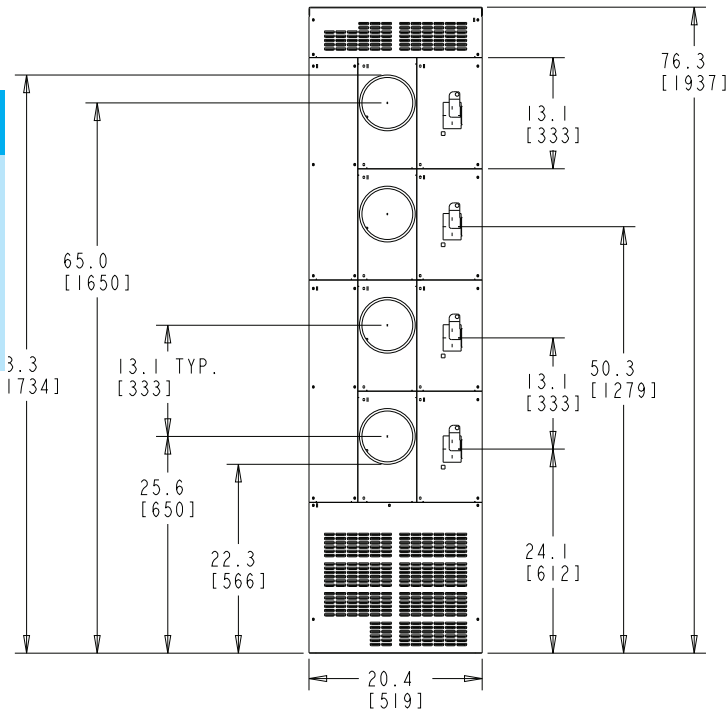
# Meter Centres

## 600Y/347V Meter Centre

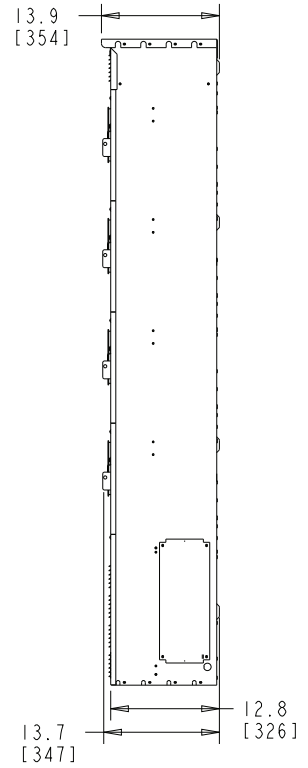
*Selection*

### 600Y/347V Meter stack dimensions

2  
METER CENTRES

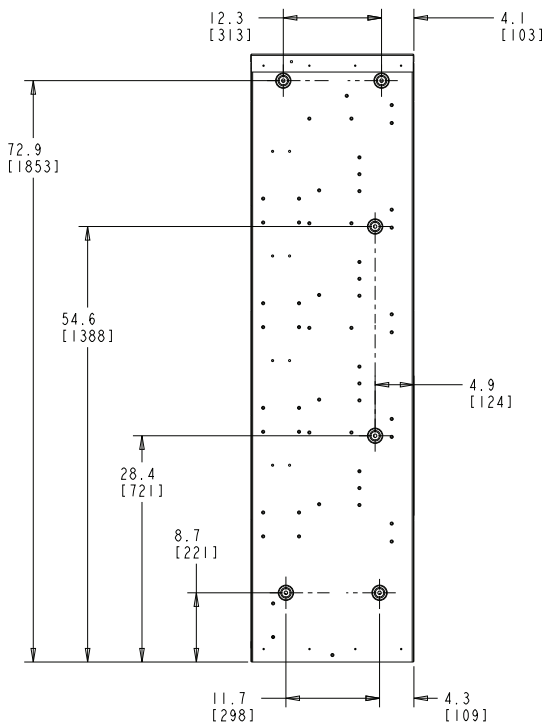


Front View



Side View

### 600Y/347V Meter stack mounting dimensions



Back View

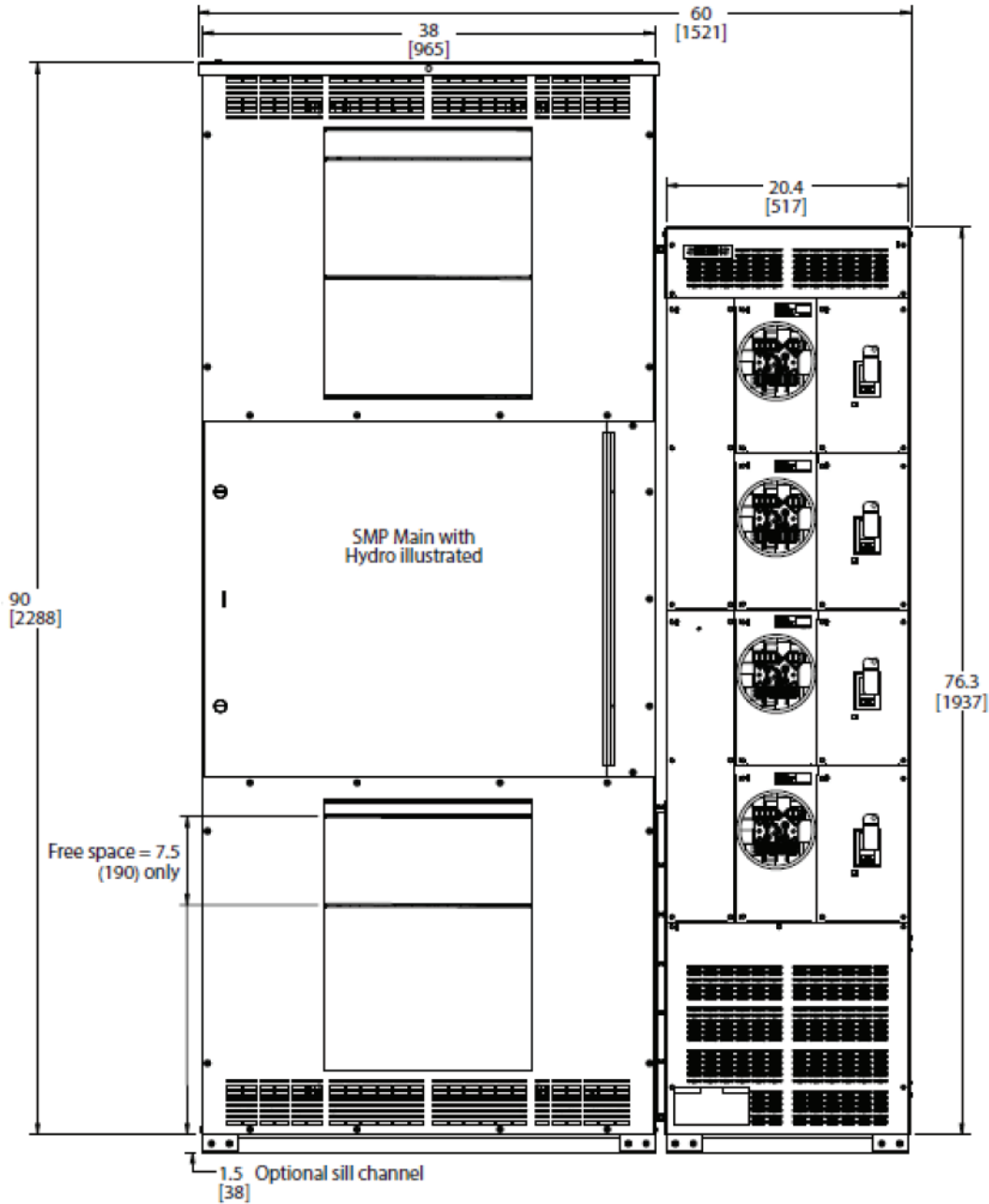
# Meter Centres

## 600Y/347V Meter Centre

Diagrams

### 600Y/347V Meter stack close coupled with SMP dimensions

Meter MMC37-42006 with bus bar joining kit MBSMP3-12006 where Meter Centre is on the right of the SMP - Inches(mm)





# Meter Centres

## 600Y/347V Meter Centre

Reference

Layout example - Reference only

System: 1200A, 600Y/347V 3Ph 4W, 42kA

### Dimension of each stack:

Height: 76 1/4" (1937mm)

Width: 20 5/8" (524mm)

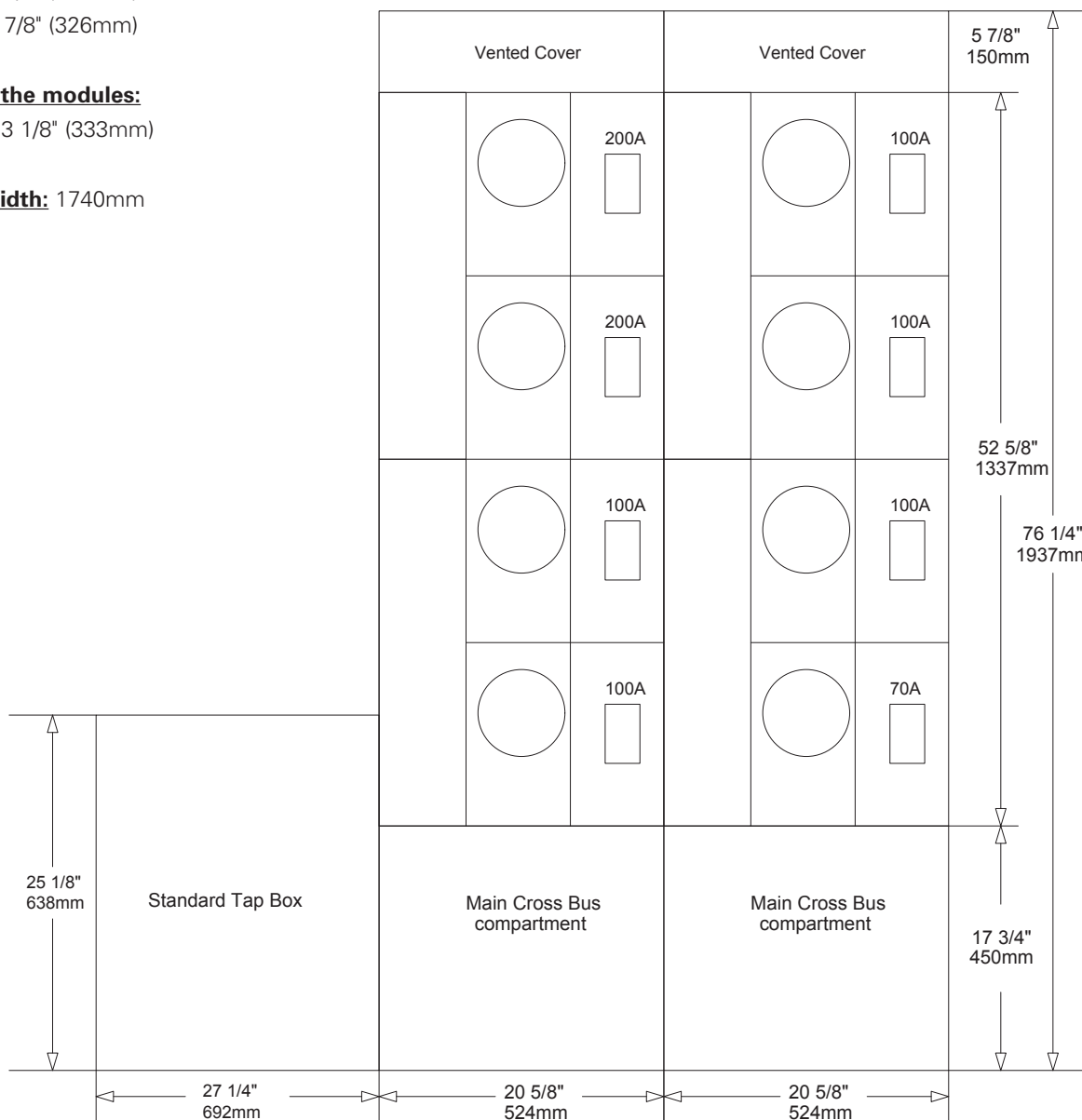
Depth: 12 7/8" (326mm)

### Height of the modules:

Module: 13 1/8" (333mm)

Overall Width: 1740mm

METER CENTRES 2





ID Switch



Heavy Duty Switch





Window Switch

## Contents - Safety Switches

Air Conditioning Disconnects	3-2 – 3-3
Safety Switch Guide Form Specifications	3-4 – 3-5
Feature Comparison	3-6
Enclosure Types	3-7
Light Duty switches - Selection	3-8
<b>SE and ID Safety Switches</b>	
SE and ID Catalogue Numbering System	3-9
SE switches - Selection	3-10
ID switches - Selection	3-11
Accessories - ID Switches	3-12
SE & ID Switches Dimensions	3-13
<b>VBII Catalogue Numbering System</b>	
VBII Catalogue Numbering System	3-14
<b>General Duty Safety Switches</b>	
General Duty Switches—Features	3-15
240V Fusible and Non-Fusible—Selection	3-16
<b>Heavy Duty Safety Switches</b>	
Heavy Duty Switches—Features	3-17
240V Fusible—Selection	3-18
600V Fusible—Selection	3-19
600V Non-Fusible—Selection	3-20
Type 4/4X and 12 with Viewing Window—Selection	3-21
<b>Special Applications Safety Switches</b>	
4-Pole and 6-Pole—Selection	3-22
Interlocked Receptacle—Selection	3-23
Accessories—Heavy Duty Switches	3-24 – 3-26
VBII Safety Switch Replacement Parts	3-27
<b>Dimensions and Weights</b>	
Heavy Duty Switches	3-28 – 3-30
Type 1 and 3R Knockout Diagrams	3-31 – 3-33
4-Pole and 6-Pole Switch Dimensions	3-34
<b>Double-Throw Switches</b>	
Selection	3-35 – 3-37
Dimensions	3-38
Enclosed Rotary Disconnect Switches	3-39 – 3-40

# Safety Switches

## Non-Fused Air Conditioning Disconnects

Selection							
		240V Non-Fused Disconnect cUL listed, Type 3R enclosure					
		Catalogue Number	Ampere Rating	Maximum Horsepower	Disconnect Type	Std. Pkg.	Skid Qty.
		WN2060	60	10	Non-Fused Pullout	6	480
							

### Features

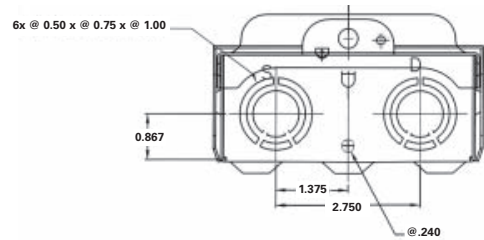
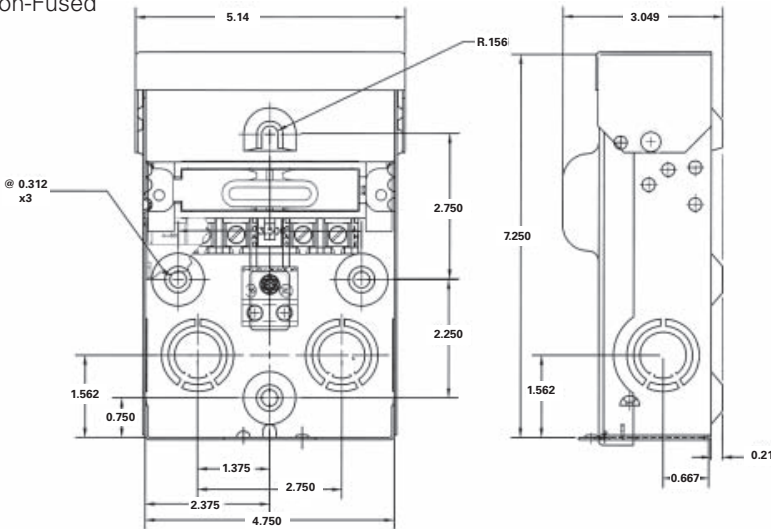
- Ample Wiring Space
- Rugged Design
- Numerous Knockouts
- Raised Mounting Embosses
- Copper Conductors
- Pullout Switch
- Removable Door

### Benefits

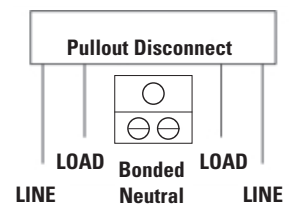
- The larger enclosure allows for ample wiring space.
- Manufactured with powder coated G90 galvanized steel for fade, scratch and corrosion resistance
- All (6) knockouts are easy to remove. The sidewall knockouts provide access from the sides of the device. Every knockout has 1/2", 3/4" and 1" provisions.
- (4) Raised mounting embosses keep the unit away from the wall, preventing dirt build-up. The upper mounting hole is shaped to be used as a hanger.
- Copper current carrying part allows for a cooler, longer lasting operation.
- The pullout switch design allows you to safely and easily de-energize the load terminals.
- The easily removable door makes it possible to wire the device with absolutely no interference.

## Dimensions - Inches\*

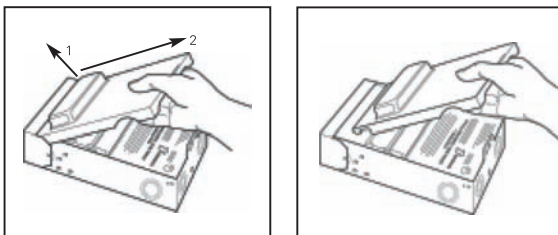
Non-Fused



### Wiring Diagram



### Removable Door





Wire Range Table				
Connector	Copper		Aluminum	
	Solid	Standard	Solid	Standard
Line	#14-8	#14-3	#12-8	#12-3
Load	#14-8	#14-3	#12-8	#12-3
Neutral	#12-8	#12-2	#12-8	#12-2
Equip Grnd.	#12-8	#12-2	#12-8	#12-2

\* For inches/millimeters conversion, multiply inches by 25.4.

# Safety Switches

## Fused Air Conditioning Disconnects

Selection							
		240V Fused Disconnect cUL listed, Type 3R enclosure					
		Catalogue Number	Ampere Rating	Maximum Horsepower	Fuse Class	Std. Pkg.	Skid Qty.
		WF2030	30	3	H	6	480
		WF2060	60	10	H	6	480
							

### Features

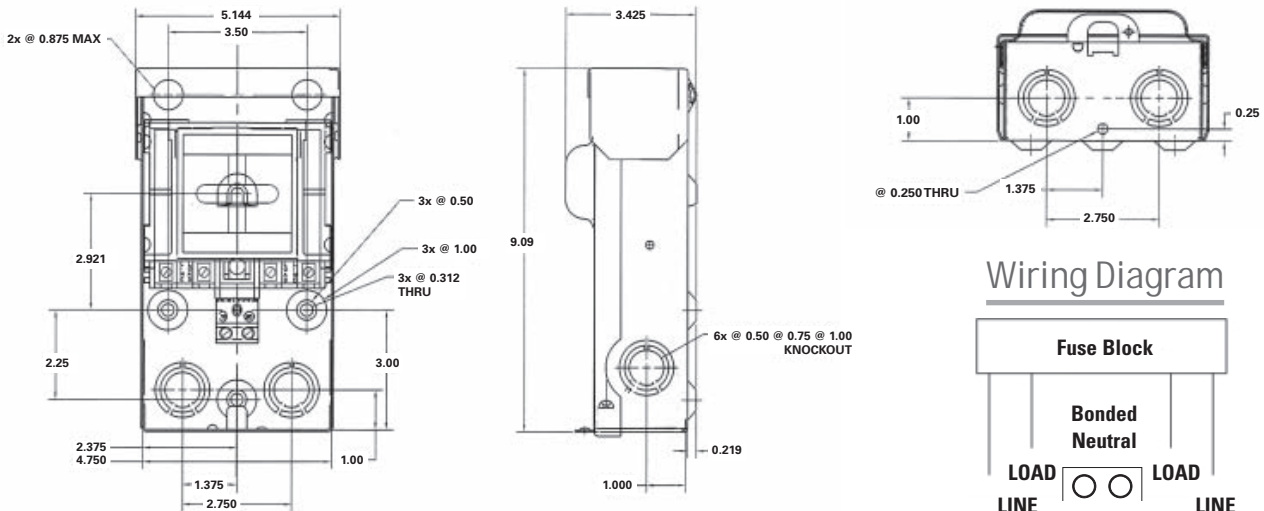
- Ample Wiring Space
- Rugged Design
- Numerous Knockouts
- Raised Mounting Embosses
- Copper Conductors
- Pullout Switch
- Removable Door

### Benefits

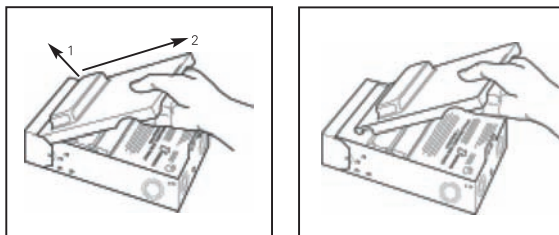
- The larger enclosure allows for ample wiring space.
- Manufactured with powder coated G90 galvanized steel for fade, scratch and corrosion resistance
- All (6) knockouts are easy to remove. The sidewall knockouts provide access from the sides of the device. Every knockout has 1/2", 3/4" and 1" provisions.
- (4) Raised mounting embosses keep the unit away from the wall, preventing dirt build-up. The upper mounting hole is shaped to be used as a hanger.
- Copper current carrying part allows for a cooler, longer lasting operation.
- The pullout switch design allows you to safely and easily de-energize the load terminals.
- The easily removable door makes it possible to wire the device with absolutely no interference.

## Dimensions - Inches\*

Fused



### Removable Door



Wire Range Table				
Connector	Copper		Aluminum	
	Solid	Standard	Solid	Standard
Line	#14-8	#14-3	#12-8	#12-3
Load	#14-8	#14-3	#12-8	#12-3
Neutral	#12-8	#12-2	#12-8	#12-2
Equip Grnd.	#12-8	#12-2	#12-8	#12-2

\* For inches/millimeters conversion, multiply inches by 25.4.

# Safety Switches

## Guide Form Specifications

Product Overview

	SE Switches	ID Switches
<b>Application</b>	SE Switches are intended for applications where reliable performance and continuity of service are needed, but where duty requirements are not severe usual service conditions prevail. Not suitable for Direct Current (DC) system.	ID Switches are intended for applications where reliable performance and continuity of service are needed, but where duty requirements are not severe and usual service conditions prevail. Not suitable for Direct Current (DC) system.
<b>Short Circuit Withstand Ratings</b>	This switch has a maximum short circuit current rating of 200 kA RMS symmetrical at 240V AC maximum.	Suitable for use on a circuit capable of delivering not more than: 200kA RMS symmetrical at 600V AC maximum for 30-200A. 100kA RMS symmetrical at 600V AC maximum for 400-600A.
<b>Fuses</b>	Fusible switches will accept the following CSA fuses: H.R.C. Form I Class J, R or H & H.R.C. Form II fuses if the accepted adaptor kits are provided.	Fusible switches will accept the following CSA class fuses: H.R.C. Form I Class J*, R or H & H.R.C. Form II fuses if the accepted adaptor kits are provided.  If switch is used to its maximum Horse Power Rating, Time delay type fuses may be required for starting purposes.  *Not applicable for switch ID321, use switch ID361.
<b>Cover Interlocks</b>	Voidable cover interlocks prevents cover from being opened when switch is in the "ON" position and prevents switch from being turned "ON" when door is opened.	
<b>Specifications</b>	CSA certified under file #13076 as enclosed switches. Fusible switches suitable as service entrance. Meet CSA C22.2 No.4 Enclosed Switches	CSA Certified under file #13076 as enclosed switches. Fusible switches are suitable for service entrance when neutral is installed. Meets CSA C22.2 No.4 Enclosed Switches.
<b>Seismic Qualifications</b>	No Seismic qualification	
<b>Groundable Neutral</b>	SE switches have groundable neutral block factory installed.	All ID switches (both Fusible and Non-Fusible) are either supplied with factory installed neutrals or accept field addable neutrals.
<b>Padlocks</b>	Padlock cover latch. Off padlock provision on handle.	Padlock cover latch. Off padlock provision on handle.
<b>HP &amp; Load Break Ratings</b>	SE switches are load break switch only, no horsepower rating.	ID switches are both load break and horsepower rated.

3

SAFETY SWITCHES

# Safety Switches

## Guide Form Specifications

## Product Overview

	<b>VBII Heavy Duty</b>	<b>Double Throw</b>																		
<b>Application</b>	<p>Heavy Duty Switches are intended for use in applications where:</p> <ol style="list-style-type: none"> <li>1. Rugged construction, reliable performance, continuity of service and ease of maintenance are emphasized, or</li> <li>2. Available fault currents higher than 10,000A are likely to be encountered, such as in manufacturing plants, mass production industries, and commercial, institutional and other large buildings served by network systems or transformers of higher capacities.</li> <li>3. System voltage is 600V AC or DC Max.</li> <li>4. A Type 12 or 4/4X enclosure is required.</li> </ol>	<p>Double throw switches are intended to transfer loads from one power source to another. All double throw switches are CSA certified. Switches are rated for use on systems with an available fault current of up to 10,000 AIC when protected with Class H fuses or 200,000 AIC when protected with Class R, J or Class T fuses.</p>																		
<b>Short Circuit Withstand Ratings</b>	<p>Suitable for use on systems capable of delivering not more than 200,000 RMS symmetrical amperes of fault current as follows:</p> <table border="1"> <thead> <tr> <th>Sw. Rating &amp; Type</th> <th>AIC Rating</th> <th>Protective Device<sup>①</sup></th> </tr> </thead> <tbody> <tr> <td>All Heavy Duty &amp; DT</td> <td>10,000</td> <td>Circuit Breaker</td> </tr> <tr> <td>30-600A HD &amp; DT</td> <td>10,000</td> <td>Class H Fuse</td> </tr> <tr> <td>30-600A HD</td> <td>200,000</td> <td>Class R, J or T Fuse</td> </tr> <tr> <td>30-600A DT</td> <td>200,000</td> <td>Class R, J or T Fuse</td> </tr> <tr> <td>800 &amp; 1200A HD</td> <td>200,000</td> <td>Class L or T Fuse</td> </tr> </tbody> </table>	Sw. Rating & Type	AIC Rating	Protective Device <sup>①</sup>	All Heavy Duty & DT	10,000	Circuit Breaker	30-600A HD & DT	10,000	Class H Fuse	30-600A HD	200,000	Class R, J or T Fuse	30-600A DT	200,000	Class R, J or T Fuse	800 & 1200A HD	200,000	Class L or T Fuse	
Sw. Rating & Type	AIC Rating	Protective Device <sup>①</sup>																		
All Heavy Duty & DT	10,000	Circuit Breaker																		
30-600A HD & DT	10,000	Class H Fuse																		
30-600A HD	200,000	Class R, J or T Fuse																		
30-600A DT	200,000	Class R, J or T Fuse																		
800 & 1200A HD	200,000	Class L or T Fuse																		
<b>Fuses</b>	<p>Fusible switches will accept the following CSA class fuses:</p> <p>30-600A "HD" Class H &amp; K, Class R with kit            30-600A, 600V "HD" Class J-move base            100-600A, 240V "HD" Class J-move base            100-200A "HD" Class T with kit            400-600A "HD" Class T-move bases            800-1200A "HD" Class L, Class T with kit<sup>②</sup></p>	<p>Fusible switches will accept the following CSA class fuses:</p> <p>30-200A "DT" - Class H &amp; K, Class R with kit            30 &amp; 60A 600V "DT" - Class J-move base            100-200A "DT" - Class J-move base, Class T with kit            400-600A "DT" - Class J-standard, Class T-move bases</p>																		
<b>Cover Interlocks</b>	<p>Voidable dual cover interlocks standard on all heavy duty switches. Prevents cover from being opened when switch is in the "ON" position and prevents switch from being turned "ON" when door is opened.</p>	<p>Dual cover interlocks standard on all double throw switches. Prevents cover from being opened when switch is in the "ON" position and prevents switch from being turned "ON" when door is opened.</p>																		
<b>Specifications</b>	<p>CSA certified under file #24563 as enclosed switches. Fusible switches also suitable as service entrance when neutral bonded to the enclosure is installed. Meets CSA C22.2 No.4 Enclosed Switches.</p>	<p>CSA certified under file #24563 as enclosed switches. Meets CSA C22.2 No.4 Enclosed switches.</p>																		
<b>Seismic Qualifications</b>	<p>All HD switches and "DT" type double throw switches have been tested and comply with the 2010 California Building Code (CBC) and with the 2009 International Building Code (IBC) - Compliance Level SDS = 1.85 g</p>																			
<b>Groundable Neutral</b>	<p>All switches (both Fusible and Non-Fusible) are either supplied with factory installed neutrals or accept field addable neutrals.</p>	<p>All will accept field addable neutrals.</p>																		
<b>Padlocks</b>	<p>Padlockable cover latch and multiple OFF padlock provisions on handle.</p>	<p>Padlockable cover latch and multiple OFF padlock provisions on handle.</p>																		
<b>HP &amp; Load Break Ratings</b>	<p>All Heavy Duty and Double Throw Switches are both load break and horsepower rated.</p>																			

3

SAFETY SWITCHES

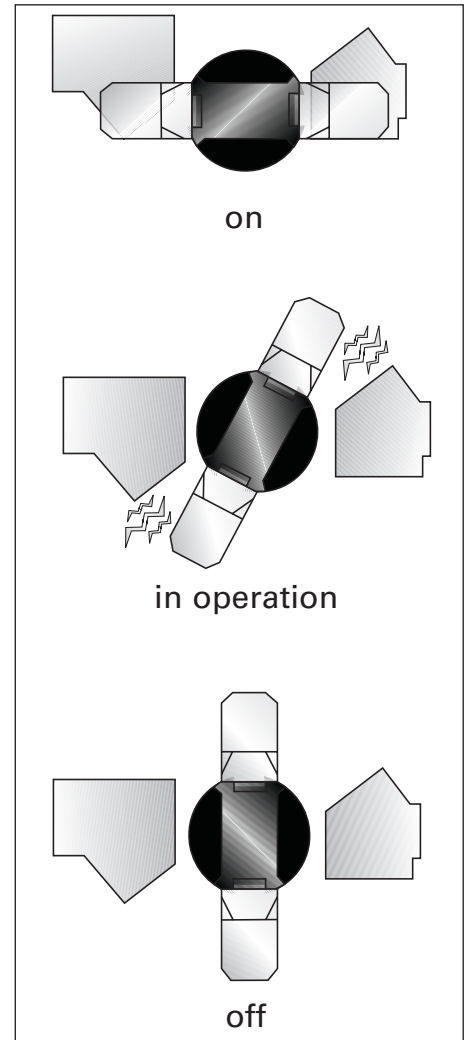
<sup>①</sup> The protective device can either be a fuse installed in a fusible switch or an upstream fuse or circuit breaker protecting a non-fusible switch. The ampere rating of the upstream protective device must not exceed the switch ampere rating.

<sup>②</sup> Class T kit available for 240V max. applications on 1200A switches.

# Feature Comparison

## Product Overview

Light Duty (Plug Fuse)	SE Switches	ID Switches	VBI Heavy Duty	Double Throw	Features/Ratings
—	—	▪	▪	▪	30 thru 600 Amps
—	—	—	▪	—	800 and 1200 Amps
▪	▪	▪	▪	▪	240 Volt AC
—	—	▪	▪	▪	600 Volt AC
—	—	—	▪	▪	250 Volt DC
—	—	—	▪	—	600 Volt DC
—	—	—	▪	▪	Double-break visible blade design (30-200A)
▪	▪	▪	▪	▪	Quick-make, quick-break switching action
▪	▪	▪	▪	▪	Highly visible ON/OFF handle indication
—	—	—	▪	—	Handle design for hook stick operation
▪	▪	▪	▪	▪	Padlockable cover latch
▪	—	▪	▪	▪	Padlockable handle
—	▪	▪	▪	▪	Single voidable cover interlock
—	▪	▪	▪	▪	Dual voidable cover interlock
▪	▪	▪	▪	▪	Type 1 enclosure
▪	—	—	▪	▪	Type 3R enclosure
—	—	—	▪	—	Type 12 enclosure
—	—	—	▪	—	Type 4/4X enclosures
▪	▪	▪	▪	▪	Generous wiring gutters that meet CSA and CEC wire-bending space requirements
▪	▪	▪	▪	▪	Lugs suitable for copper or aluminum at 60° or 75°C
▪	▪	▪	▪	▪	CU/AL wire lugs that meet CSA C22.2 No.65-03 requirements
—	—	—	▪	▪	Suitable for field-convertible — compression connectors
—	—	▪	▪	▪	All plated copper current carrying parts(except lugs)
—	▪	▪	▪	▪	Spring reinforced Fuse Clips(except 30A general duty) <sup>②</sup>
—	▪	▪	▪	▪	Clear line terminal shield available
—	▪	▪	▪	▪	Replacement parts
—	—	—	▪	—	Field addable 200% neutral
—	▪	▪	▪ <sup>⑦</sup>	▪ <sup>⑦</sup>	Provisions for CSA Class T, R and H Fuses
—	—	▪ <sup>①</sup>	▪	▪ <sup>①</sup>	Provisions for CSA Class J and L Fuses
—	—	—	▪	▪	Metal nameplate
—	—	▪	▪	▪	Aux. switch kits
—	—	—	▪ <sup>④</sup>	—	Type 4X with stainless steel interior parts
—	▪	—	▪	—	Rolled flange enclosure design



## Double Break Switching Action

Like the time-proven Vacu-Break Design, the Siemens VBI double break switching action breaks the arc in two places in 30-200A ratings. This reduces heat generation and increases switching speed by doubling the breaking distance. The result is enhanced performance and increased longevity. We also provide the most visible blade design available today. Unlike conventional knife blade switches, the blades are self-aligning to ensure positive contact. In addition, they have no wear and friction point since the “electrical hinge” has been eliminated. The result is a very fast, positive and reliable switching action for even the most severe applications.

① Only 800 & 1200A HD switches will accept Class L fuses.

② 30A general duty switches have fuse clips constructed of spring type copper.

③ Not supplied on 30A outdoor & plug fuse switches.

④ 30-200A Type VBI in stainless steel enclosures.

⑤ 60-200A.

⑥ 200A general duty switches have aluminum neutral assemblies.

⑦ 100-200A GD, 100-200A DT and 100-1200A HD switches will accept Class T fuses.



# Safety Switches

## Heavy Duty

### Enclosure Types

- A** **Type 1** enclosures are intended for indoor use primarily to provide protection against contact with the enclosed equipment in locations where unusual service conditions do not exist.
- B** **Type 3R** enclosures are intended for outdoor use primarily to provide a degree of protection against falling rain and sleet and must remain undamaged by the formation of ice on the enclosure. They are not intended to provide protection against conditions such as dust, internal condensation, or internal icing.
- C** **Type 4, 4X** enclosures are intended for indoor or outdoor use primarily to provide a degree of protection against windblown dust, rain, splashing water and hose-directed water. They are not intended to provide protection against conditions such as internal condensation or internal icing. Also meets 4X definition by providing a high degree of protection against corrosion. Siemens 30-200A stainless steel 4X switches are supplied stainless interior parts and hardware as standard.
- D** **Type 4** enclosures are intended for indoor or outdoor use primarily to provide a degree of protection against windblown dust, rain, splashing water and hose-directed water. They are not intended to provide protection against conditions such as internal condensation or internal icing.
- E** **Type 12<sup>®</sup>** enclosures are intended for indoor use primarily to provide a degree of protection against dust, falling dirt and dripping water. They are not intended to provide protection against conditions such as internal condensation.

### Product Overview



### Load Break Ratings

All Siemens safety switches are load break rated. The load break rating is assigned by UL/CSA after the switching unit has successfully performed the following tests:

Switch Ampere Rating	Number of ON/OFF Operations per Minute	Number of Operations		
		With Current	Without Current	Total
30-100	6	6000	4000	10000
200	5	6000	2000	8000
400	4	1000	5000	6000
600	3	1000	4000	5000
800	2	500	3000	3500
1200	1	500	2000	2500

### Horsepower Ratings

ID and VBII safety switches, where appropriate, are horsepower rated. Ratings are approved by CSA after the switching unit has undergone testing to determine its acceptability which includes repeated interruption of the locked rotor current of the motor for which it is to be rated as follows:

Max HP Rating	Number of ON/OFF Operations per minute	Number of Cycles of Operation
100	6	50
500	1	10

© VBII Type 12 switches are also rated 3R & 3S for outdoor use. Type 3R is defined in B above. 3S rated enclosures provide a degree of protection against windblown dust and allow operation when the enclosure is ice laden.

# Light Duty Enclosed Switches

## Plug Fuse and 60A Special Application Type

Selection

### Features

- CSA Certified under file #24563
- Compact size
- Horsepower rated
- Indoor and outdoor enclosures
- Quick make-quick break mechanism
- Visible "ON"-"OFF" indications
- Padlock-off handle feature
- Door padlock provision
- All fusible switches suitable for use as service entrance equipment
- Bondable neutral (where indicated)
- Lugs suitable for copper or aluminum wire
- Switches accept plug fuses only - fuses not included
- Hubs<sup>®</sup> — see page 3-26
- Ground Bar Kit: **GSGK60**<sup>®</sup>
- Knockout diagrams — see page 3-31 and 3-32



### Dimensions - in. (mm)

Enclosure Type	Height	Width	Depth
1	8¼ (210)	5½ (140)	3 (76)
3R	8¼ (210)	5% (137)	3% (79)

### Wire Range Table

Switch Type	Wire Range
120/240 Volt Fusible 30 Amp	#14 AWG - #8 AWG Al/Cu <sup>®</sup>
120/240 Volt Non-Fusible 60 Amp	#14 AWG - #3 AWG Al/Cu

Ampere Rating	Indoor — Type 1		Outdoor — Type 3R		Horsepower Ratings <sup>®</sup>	
					1-Phase, 2-Wire	
	Catalogue Number	Ship. Wt. (lbs.)	Catalogue Number	Ship. Wt. (lbs.) Pkg. of 10	Standard	Maximum

### 120/240 Volt Fusible

1-Pole and Solid Neutral <sup>®</sup>				120 Volt — 1-Phase, 2-Wire		
30	LFC111N	3.6	—	—	1/2	2

### 2-Pole and Solid Neutral<sup>®</sup>

120/240 Volt — 2-Phase, 3-Wire						
30	LFC211N	3.5	LFC211NR	35	1/2	2

### 240 Volt Non-Fused

2-Pole Special Application Switch				240 Volt — 1-Phase, 2-Wire		
60	—	—	LNFC222R <sup>®</sup>	35	3	10

<sup>®</sup>Dual horsepower ratings:

Std. — applies when non-time delay plug fuses are installed.

Max — applies when time-delay plug fuses are installed.

<sup>®</sup>Has service entrance label. CSA certified as

"Enclosed Switches" (suitable for use as service equipment where indicated).

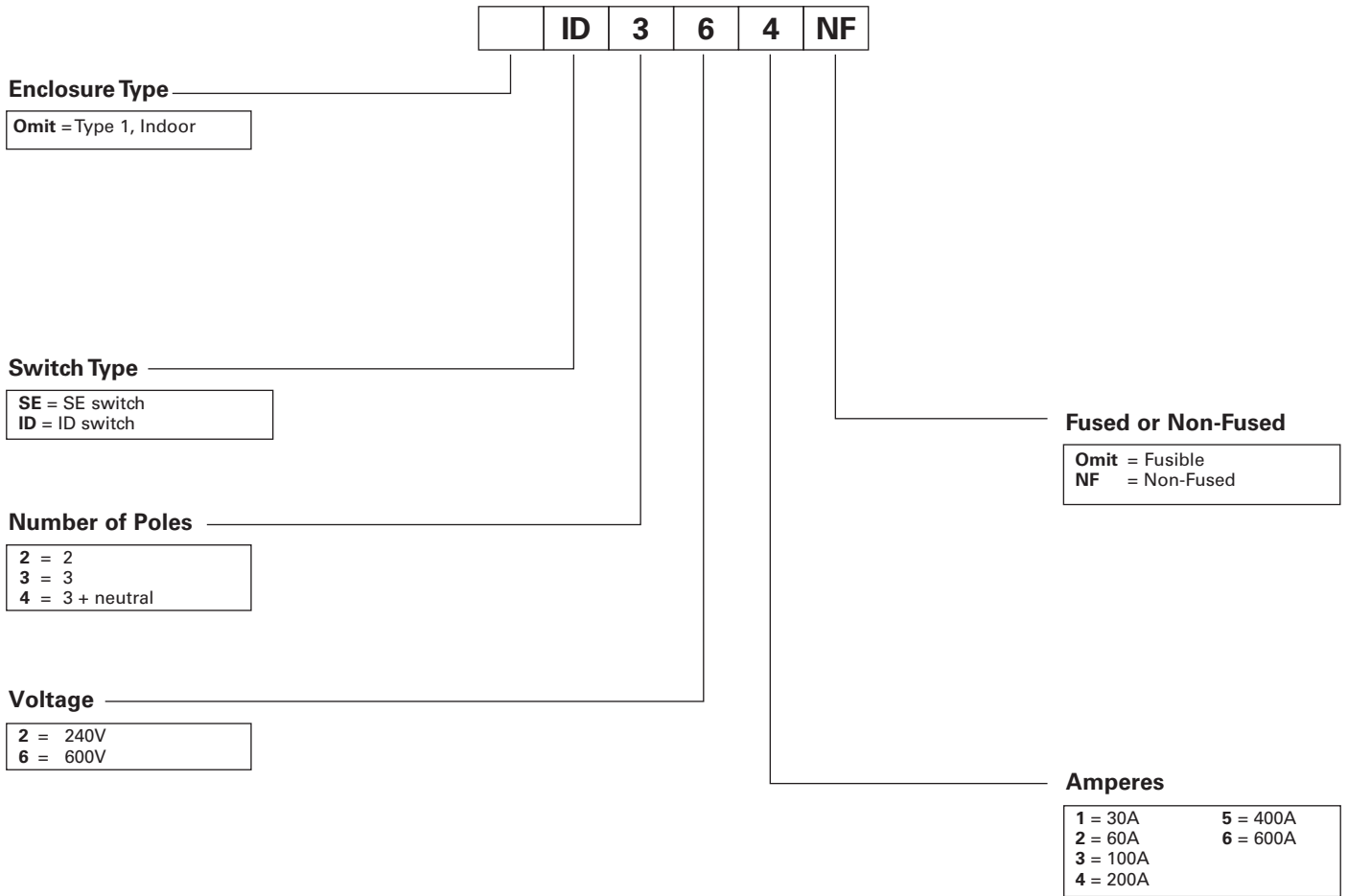
<sup>®</sup>Bottom cable entry and exit only. No hub provision supplied. **GSGK60** is included and factory installed.

<sup>®</sup>Line lugs are CSA approved for #14 to #6 Cu/Al cable.

# Catalogue Numbering System

## Type SE and ID Switches Catalogue Numbering System

Product Overview



# SE Switches

Selection

## Features

- CSA Certified under file #13076
- Construction grade switch
- Compact load break switch rated for service entrance applications at 240V
- Type 1 enclosure for indoor applications
- Solid neutral bonded to the enclosure
- Door padlock provision
- SE switches will accept the following CSA/UL class fuses: Class H, Class K, Class R (Adapter kits are required) and Class T (Adapter kits are required)
- Manufactured in Canada for quick delivery and easy access to replacement parts
- Dimensions and knockout diagrams — see page 3-14



System	Ampere Rating	Indoor — Type 1		Horsepower Ratings				250 Volt DC	Skid Qty
				240V AC					
		Catalogue Number	Unit Weight - lbs (kg)	1-Phase, 2-Wire		3-Phase, 3-Wire			
		Std.	Max.	Std.	Max.				

### 240V Fusible Service Entrance Type 1 enclosure

#### 2-Pole, 2-Fuse and Solid Neutral

240V AC Max.

Switch Ampere Rating	Catalogue Number	Unit Weight - lbs (kg)	1-Phase, 2-Wire Std.	1-Phase, 2-Wire Max.	3-Phase, 3-Wire Std.	3-Phase, 3-Wire Max.	250 Volt DC	Skid Qty
30	SE221	9.11 (4.13)	—	—	—	—	—	102
60	SE222	10.95 (4.97)	—	—	—	—	—	72
100	SE223	15.18 (6.89)	—	—	—	—	—	48
200	SE224	29.08 (13.19)	—	—	—	—	—	20

#### 3-Pole, 3-Fuse and Solid Neutral

240V AC Max.

Switch Ampere Rating	Catalogue Number	Unit Weight - lbs (kg)	1-Phase, 2-Wire Std.	1-Phase, 2-Wire Max.	3-Phase, 3-Wire Std.	3-Phase, 3-Wire Max.	250 Volt DC	Skid Qty
30	SE321	9.3 (4.22)	—	—	—	—	—	102
60	SE322	11.29 (5.12)	—	—	—	—	—	72
100	SE323	15.73 (7.14)	—	—	—	—	—	48
200	SE324	29.52 (13.39)	—	—	—	—	—	20

### Fuse Puller Kits

Fuse Puller Kits are field installable in SE switches (one kit required per 3-pole switch)

Switch Ampere Rating	Fuse Puller Kit Catalogue Number
30	FP2
60	FP2
100	FP3
200	FP4

### Class R Fuse Adaptor Kits

100-200A SE switches accept Class R fuses using the appropriate adaptor kit (One kit per pole required)

Switch Ampere Rating	R Fuse Adaptor Kit Catalogue Number
30	RFAK21
60	RFAK22
100	RFAK3
200	RFAK4

### Class T Fuse Adaptor Kits

SE switches accept Class R fuses using the appropriate adaptor kit (One kit per pole required)

Switch Ampere Rating	T Fuse Adaptor Kit Catalogue Number	
	200V	600V
100	TFAK23	TFAK63
200	TFAK24	TFAK64

### Wire Ranges (Line, Load and Standard Neutral)

Switch Ampere Rating	Line, Load Lug Wire Range	Neutral Lug Wire Range
30	#14 - 2 AWG (Al/Cu)	#14 - 4 AWG (Al/Cu)
60	#14 - 2 AWG (Al/Cu)	#14 - 4 AWG (Al/Cu)
100	Line: # 6 - 120 AWG (Al/Cu) Load: #14 - 1/0 AWG (Al/Cu)	#14 - 2/0 AWG (Al/Cu)
200	#6 - 250 MCM (Al/Cu)	#6 - 300 MCM (Al/Cu)

### Line Shield Kits

Switch Ampere Rating	Line shield kit
30	LSK1 (3 per kit)
60	LSK1 (3 per kit)
100	LSK3 (3 per kit)
200	LSK3 (3 per kit)

### Replacement Parts

Catalogue Number	Description
CCSS1	Cover catch (20 per kit)

# ID Switches

Selection

## Features

- CSA Certified under file #13076
- General Duty switch designed for the canadian construction market
- Compact size with integrated handle
- Horsepower rated
- Type 1 enclosure for indoor applications
- Quick make-quick break mechanism
- Visible "ON"-"OFF" indications
- Padlock-off handle feature
- Door padlock provision
- ID switches will accept the following CSA class fuses: Class H, Class K, Class R (Adapter kits are required) and Class T (Adapter kits are required)
- Fuse Puller included for 30-200A
- Manufactured in Canada for quick delivery and easy access to replacement parts
- Dimensions and knockout diagram — see page 3-14



3


SAFETY SWITCHES

System	Ampere Rating	Indoor — Type 1		Horsepower Ratings						250 Volt DC	Skid Qty.
				240V AC		480V AC		600V AC			
		Catalogue Number	Unit Weight - lbs (kg)	1-Phase	3-Phase	1-Phase	3-Phase	1-Phase	3-Phase		

### 240V Fusible


#### 2-Pole, 2-Fuse and Solid Neutral<sup>①</sup>

240 Volt AC.

	400	ID225	76 (34.47)	—	125	—	—	—	—	—	6
	600	ID226	88 (39.92)	—	200	—	—	—	—	—	6

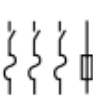
#### 3-Pole, 3-Fuse

240 Volt AC.

	30	ID321	12.61 (5.72)	3	7.5	—	—	—	—	—	55
	60	ID322	12.61 (5.72)	10	15	—	—	—	—	—	55
	100	ID323	17.22 (7.81)	15	30	—	—	—	—	—	30
	200	ID324	31.52 (14.3)	15	60	—	—	—	—	—	20

#### 3-Pole, 3-Fuse and Solid Neutral<sup>①</sup>


240 Volt AC.

	400	ID425	89 (40.36)	—	125	—	—	—	—	—	6
	600	ID426	102 (46.27)	—	200	—	—	—	—	—	6

### 600V Fusible

#### 3-Pole, 3-Fuse


240 Volt AC / 480 Volt AC / 600 Volt AC.

	30	ID361	12.61 (5.72)	3	7.5	—	15	10	20	—	55
	60	ID362	12.61 (5.72)	10	15	—	30	25	50	—	55
	100	ID363	17.22 (7.81)	15	30	—	60	40	75	—	30
	200	ID364	31.52 (14.3)	15	60	—	125	50	150	—	20
	400	ID365	88 (39.62)	—	125	—	250	—	350	—	6
	600	ID366	101 (45.81)	—	200	—	400	—	600	—	6

### 600V Non-Fusible

#### 3-Pole, 3-Fuse

240 Volt AC / 480 Volt AC / 600 Volt AC.

	30	ID361NF	12.18 (5.52)	3	7.5	—	15	10	20	—	55
	60	ID362NF	12.18 (5.52)	10	15	—	30	25	50	—	55
	100	ID363NF	16.58 (7.52)	15	30	—	60	40	75	—	30
	200	ID364NF	29.64 (13.44)	15	60	—	125	50	150	—	20
	400	ID365NF	87 (39.46)	—	125	—	250	—	350	—	6
	600	ID366NF	97 (44)	—	200	—	400	—	600	—	6

① Suitable for use as service equipment when neutral is bonded to the enclosure.

# ID Switches

## Accessories

*Selection*

### Neutral Kits

#### Standard Neutral Kits

Switch Ampere Rating	Neutral Kit Catalogue Number
30	N60
60	N60
100	N100
200	N200
400	N400ID
600	N600ID

### Fuse Puller Kits

Fuse Puller are field replaceable in ID switches 30-200A (one kit required per 3-pole switch)

Switch Ampere Rating	Fuse Puller Kit Catalogue Number
30	FP2
60	FP2
100	FP3
200	FP4

### Auxiliary Contacts

Switch Ampere Rating	Aux. Contact Catalogue Number
30-100	MSSAK116
200	MSSAK126

#### With 1 NO & 1 NC

30-100	MSSAK116
200	MSSAK126

#### With 2 NO & 2 NC

30-100	MSSAK216
200	MSSAK226

### Replacement Line Shield

Line shield can be field replaced/added for ID & SE Switches.

Switch Ampere Rating	Line shield kit
30	LSK1 (3 per kit)
60	LSK1 (3 per kit)
100	LSK3 (3 per kit)
200	LSK3 (3 per kit)

### Class R Fuse Adaptor Kits

30-600A ID switches accept Class R fuses using the appropriate adaptor kit (One kit per pole required)

Switch Ampere Rating	R Fuse Adaptor Kit Catalogue Number	
	240V	600V
30	RFAK21	RFAK61
60	RFAK22	RFAK62
100	RFAK3	
200	RFAK4	
400	RFAK6	
600	RFAK6	

### Class T Fuse Adaptor Kits

100-600A ID switches accept Class T fuses using the appropriate adaptor kit (One kit per pole required)

Switch Ampere Rating	T Fuse Adaptor Kit Catalogue Number	
	240V	600V
100	TFAK23	TFAK63
200	TFAK24	TFAK64
400	TFAK52	TFAK55
600	TFAK62	TFAK65

### Wire Ranges (Line, Load and Standard Neutral)

Switch Ampere Rating	Number of lugs per pole	Line, Load Lug Wire Range	Neutral Lug Wire Range
30	1	#14 - 2 AWG (Al/Cu)	#14 - 4 AWG (Al/Cu)
60	1	#14 - 2 AWG (Al/Cu)	#14 - 4 AWG (Al/Cu)
100	1	Line: # 6 - 120 AWG (Al/Cu) Load: #14 - 1/0 AWG (Al/Cu)	#14 - 2/0 AWG (Al/Cu)
200	1	#6 - 250 MCM (Al/Cu)	#6 - 300 MCM (Al/Cu)
400	1	(2) 250-1/0 or (1) 750-1/0	(2) 250-1/0 or (1) 750-1/0
600	2	(2) 250-1/0 or (1) 750-1/0	(2) 250-1/0 or (1) 750-1/0

### Contact Ratings (Continuous duty 10 Amps)

Volts (AC)	Inrush Amps	Break Amps	Volts (DC)	Inrush Amps	Break Amps
24-120	60	6	24-150	11	11
240	30	3	250	55	55
480	15	15	300	20	20
600	12	12	600	20	20

### Replacement Parts

Catalogue Number	Description
CCSS1	Cover catch (20 per kit)



Replacement cover catch can be ordered using #CCSS1, which includes 20 cover catch per kit. (one kit required per 3-pole switch)

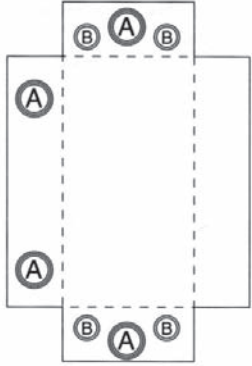
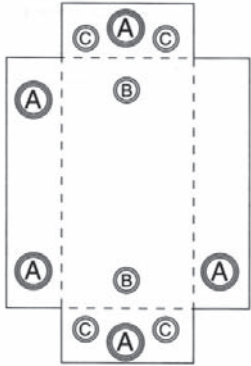
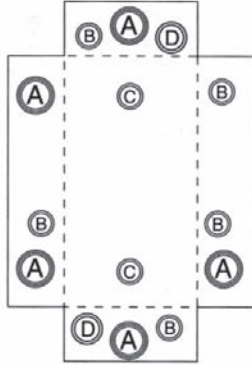
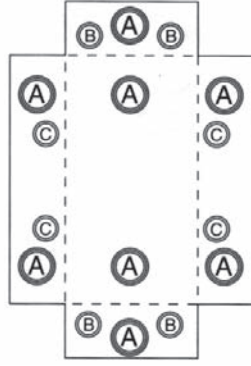


# SE and ID Switches

## Dimensions

Catalogue Number	Dimensions - inches (mm)			Knock-out Diagram	Shipping weight - lbs (kg)
	Height	Width Including Handle	Depth Including Handle		
ID225	40 (1016)	18 1/2 (470)	12 1/16 (306)	No KO	76 (34.47)
ID226	48 (1219)	18 1/2 (470)	12 1/16 (306)	No KO	88 (39.92)
ID321	15 3/8 (391)	9 3/16 (233)	7 1/4 (184)	S2	12.61 (5.72)
ID322	15 3/8 (391)	9 3/16 (233)	7 1/4 (184)	S2	12.61 (5.72)
ID323	20 3/8 (518)	10 11/16 (271)	7 1/4 (184)	S3	17.22 (7.81)
ID324	30 7/8 (784)	13 3/16 (335)	8 1/4 (210)	S4	31.52 (14.3)
ID361	15 3/8 (391)	9 3/16 (233)	7 1/4 (184)	S2	12.61 (5.72)
ID361NF	15 3/8 (391)	9 3/16 (233)	7 1/4 (184)	S2	12.18 (5.52)
ID362	15 3/8 (391)	9 3/16 (233)	7 1/4 (184)	S2	12.61 (5.72)
ID362NF	15 3/8 (391)	9 3/16 (233)	7 1/4 (184)	S2	12.18 (5.52)
ID363	20 3/8 (518)	10 11/16 (271)	7 1/4 (184)	S3	17.22 (7.81)
ID363NF	20 3/8 (518)	10 11/16 (271)	7 1/4 (184)	S3	16.58 (7.52)
ID364	30 7/8 (784)	13 3/16 (335)	8 1/4 (210)	S4	31.52 (14.3)
ID364NF	30 7/8 (784)	13 3/16 (335)	8 1/4 (210)	S4	29.64 (13.44)
ID365	40 (1016)	21 1/2 (546)	12 1/16 (306)	No KO	88 (39.62)
ID365NF	40 (1016)	21 1/2 (546)	12 1/16 (306)	No KO	87 (39.46)
ID366	48 (1219)	21 1/2 (546)	12 1/16 (306)	No KO	101 (45.81)
ID366NF	48 (1219)	21 1/2 (546)	12 1/16 (306)	No KO	97 (44)
ID425	40 (1016)	21 1/2 (546)	12 1/16 (306)	No KO	89 (40.36)
ID426	48 (1219)	21 1/2 (546)	12 1/16 (306)	No KO	102 (46.27)
SE221	11 1/4 (286)	7 7/8 (200)	6 5/16 (160)	S1	9.11 (4.13)
SE222	15 1/4 (387)	7 7/8 (200)	6 5/16 (160)	S2	10.95 (4.97)
SE223	20 1/4 (514)	9 3/8 (238)	6 5/16 (160)	S3	15.18 (6.89)
SE224	30 3/4 (781)	11 7/8 (302)	7 5/16 (186)	S4	29.08 (13.19)
SE321	11 1/4 (286)	7 7/8 (200)	6 5/16 (160)	S1	9.3 (4.22)
SE322	15 1/4 (387)	7 7/8 (200)	6 5/16 (160)	S2	11.29 (5.12)
SE323	20 1/4 (514)	9 3/8 (238)	6 5/16 (160)	S3	15.73 (7.14)
SE324	30 3/4 (781)	11 7/8 (302)	7 5/16 (186)	S4	29.52 (13.39)

### K.O. Data For EEMAC 1 Enclosure

<p><b>30 Amp Enclosure Type SE</b></p>  <p><b>K.O.'s Trade Size</b>  A = 3/4" - 1" - 1 1/4" - 1 1/2"  B = 1/2" - 3/4"</p>	<p><b>30-60 Amp Enclosure Type ID</b></p>  <p><b>K.O.'s Trade Size</b>  A = 3/4" - 1" - 1 1/4" - 1 1/2"  B = 3/4" - 1"  C = 1/2" - 3/4"</p>
<p><b>100 Amp Enclosure Type SE ID</b></p>  <p><b>K.O.'s Trade Size</b>  A = 1" - 1 1/4" - 1 1/2" - 2"  B = 1/2" - 3/4"  C = 3/4" - 1"  D = 1" - 1 1/4"</p>	<p><b>200 Amp Enclosure Type SE ID</b></p>  <p><b>K.O.'s Trade Size</b>  A = 1 1/2" - 2" - 2 1/2" - 3"  B = 1" - 1 1/4"  C = 1/2" - 3/4"</p>



# Catalogue Numbering System

## Type VBII Safety Switch Catalogue Numbering System

Product Overview

**H F C 3 6 4 N J W A**

### Switch Type

- L** = General Duty  
10k AIC Max.  
(Plug Fused &  
60A Max  
Non-Fused)
- G** = Gen. Duty
- H** = Heavy Duty
- DT** = Double Throw

### Fused or Non-Fused

- F** = Fused
- NF** = Non-Fused

### C = CSA certified only

### Number of Poles

- 1** = 1
- 2** = 2
- 3** = 3
- 4** = 4
- 6** = 6

### Voltage

- 1** = 120V or 120/240V
- 2** = 240V
- 6** = 600V

### Series Type

- A** = 400A, 600A
- Omit** = 30A - 200A, 800A - 1200A

### Special Applications With:

- CH** = Crouse-Hinds Receptacle
- W** = Viewing Window

### Enclosure Type

- Omit** = Type 1, Indoor
- R** = Type 3R, Outdoor
- S** = Type 4/4X, Stainless Steel
- J** = Type 12, Industrial

### With or Without Neutral

- Omit** = Less Neutral
- N** = With Neutral - rated for service entrance

### Amperes

- |                 |                  |
|-----------------|------------------|
| <b>1</b> = 30A  | <b>5</b> = 400A  |
| <b>2</b> = 60A  | <b>6</b> = 600A  |
| <b>3</b> = 100A | <b>7</b> = 800A  |
| <b>4</b> = 200A | <b>8</b> = 1200A |

## Type VBII Accessories Catalogue Numbering System

**H R 6 4 A**

### Switch Type

- H** = Heavy Duty
- G** = General Duty<sup>Ⓢ</sup>

### Accessory Type

- A1** = Auxiliary Switch 1/NO and 1/NC
- A2** = Auxiliary Switch 2/NO and 2/NC
- A3** = Auxiliary Switch Low Current
- CL** = Compression Lug Barrier /  
Mounting Kit
- CU** = Copper Lug<sup>Ⓢ</sup>
- G** = Ground Lug Kit
- G2** = Insulated Ground Lug Kit
- LC** = Copper Lug Kit<sup>Ⓢ</sup>
- NC** = Neutral
- NC2** = 200% Neutral<sup>Ⓢ</sup>
- NCM** = Field Replacement Lug Kit<sup>Ⓢ</sup>
- P** = Fuse Puller Kit
- R** = Class R - Fuse Clip Kit
- T** = Class T - Fuse Kit

### Series Type

- A** = 400A, 600A
- Omit** = 30A - 200A, 800A - 1200A

### Amperes

- 1** = 30A
- 2** = 60A
- 12** = 30/60A
- 3** = 100A
- 23** = 60/100A
- 123** = 30/60/100A
- 1234** = 30/60/100/200A
- 4** = 200A
- 5** = 400A
- 6** = 600A
- 56** = 400/600A
- 5678** = 400/600/800/1200A
- 78** = 800/1200A

### Maximum Voltage

- 2** = 240V Max<sup>Ⓢ</sup>
- 6** = 600V Max

<sup>Ⓢ</sup> For 400A, 600A use 600V max accessories except for T fuse kit.

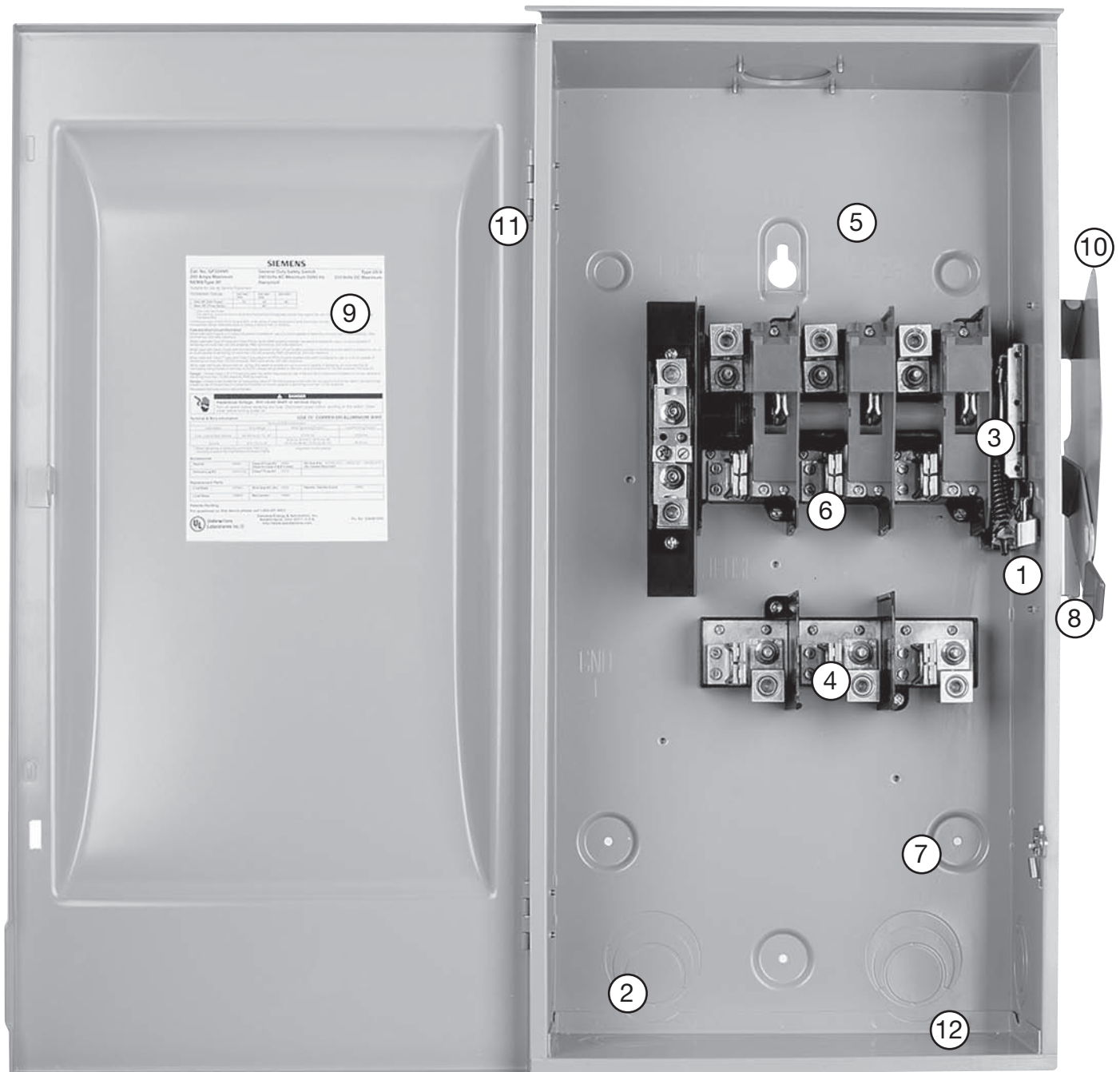
<sup>Ⓢ</sup> Only offered for 400A, 600A.

<sup>Ⓢ</sup> For 30A-200A, 800A-1200A.

# General Duty Safety Switches

Features VBII (30-200A)

Product Overview



3

SAFETY SWITCHES

1. Cover interlock
2. Tangential knockouts through 200A for easy conduit lineup
3. Quick-make, quick-break operating mechanism that ensures positive operation
4. Provisions for T, R, J, H, and K class fuses (T & J 100-200A)
5. Generous wiring gutters that meet or exceed CEC wire-bending space requirements
6. Visible blade, double-break switch action
7. Positive 2 or 3 point mounting
8. Highly visible red handle grip
9. Informative door labeling which includes replacement parts list
10. Handle and cover padlocking provisions
11. Side-hinged door that opens 180 degrees for easier wiring
12. A unique enclosure design that adds rigidity and strength. Its rolled edge prevents cuts and scrapes to conductors and to installer's hands

# General Duty Safety Switches

Selection

3

SAFETY SWITCHES



System	Ampere Rating	Indoor - Type 1		Outdoor - Type 3R		Horsepower Ratings <sup>①</sup>						
		Catalogue Number	Ship. Wt. (lbs.) Std. Pkg.	Catalogue Number	Ship. Wt. (lbs.) Std. Pkg.	240V AC						250 Volt DC
						1-Phase, 2-Wire		2-Phase, 4-Wire		3-Phase, 3-Wire		
Std.	Max.	Std.	Max.	Std.	Max.	Std.						

## 240 Volt Fusible

### 2-Pole, 2-Fuse, and Solid Neutral<sup>②③</sup>

### 240 Volt AC/250 Volt DC

	100 200	GFC223N GFC224N	23 47	— —	— —	7 1/2 15	15 —	— —	— —	15 25	30 60	20 40
--	------------	--------------------	----------	--------	--------	-------------	---------	--------	--------	----------	----------	----------

### 3-Pole, 3-Fuse, and Solid Neutral<sup>②④</sup>

### 240 Volt AC/250 Volt DC

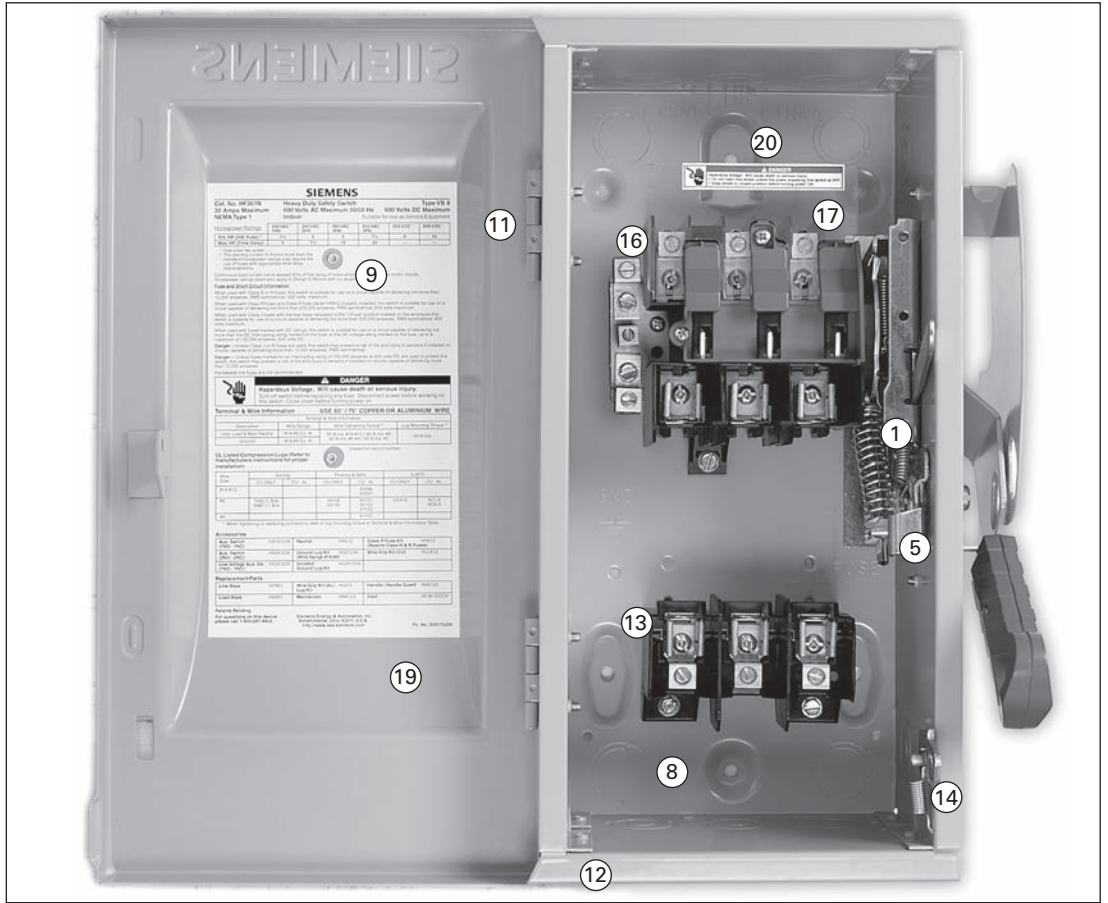
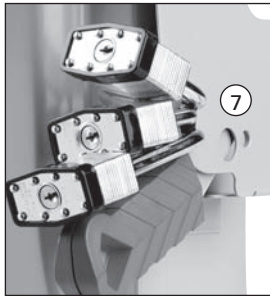
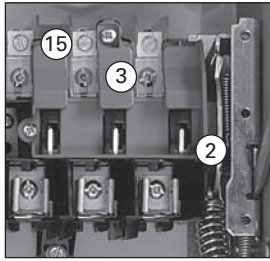
	100 200	GFC323N GFC324N	25 49	— —	— —	7 1/2 15	15 —	— —	— —	15 25	30 60	20 40
--	------------	--------------------	----------	--------	--------	-------------	---------	--------	--------	----------	----------	----------

① Dual horsepower ratings: Std.- applies when non-time delay fuses are installed. Max.- applies when time-delay fuses are installed.  
② Service entrance labeled.

③ Suitable for use on 3-phase motor loads.  
④ 5 switches per standard package.  
⑤ 10 switches per standard package.  
⑥ Has provision for ECHA type hub.

# Heavy Duty Safety Switches

Features



1. Quick-make, quick-break operating mechanism that ensures positive operation.
2. Visible blade, double-break switching action.
3. Arc chutes dissipate heat and prolong switch life.
4. Highly visible red handle grip. Designed for hook stick operation.
5. Defeatable dual cover interlock.
6. Center punch provided for field drilling to allow ON padlocking.
7. Handle can be padlocked in the OFF position with up to (3) padlocks with 5/16" hasps.
8. Generous top, bottom and side gutters that meet or exceed CEC wire-bending space requirements.
9. Informative door labeling which includes replacement parts list.
10. Tangential knockouts through 600A for easy conduit lineup.
11. Side-hinged door that opens past 180 degrees for easier wiring.
12. Unique enclosure design increases rigidity and prevents cuts and scrapes to conductors and installer's hands.
13. Spring reinforced fuse clips that assure reliable contact for cool operation.
14. Door latch securely holds door closed and allows cover padlocking.
15. Front removable mechanical lugs that are suitable for CU/Al 60 or 75° C conductors.
16. Lugs are field convertible to copper body and to a wide variety of compression connectors.
17. Hinged clear line terminal shield with probe holes for inspecting or testing line side terminals.
18. Embossed aluminum nameplate on Heavy Duty Switches.
19. Drawn cover for increased rigidity and resistance to abuse.
20. Top key hole and bottom mounting holes provide easy 2 or 3 point mounting.

3

SAFETY SWITCHES

# Heavy Duty Safety Switches

Selection



SAFETY SWITCHES

System	Ampere Rating	Indoor – Type 1		Outdoor – Type 3R			Horsepower Ratings <sup>®</sup>				
		Catalogue Number	Ship. Wt. (lbs.) Std. Pkg.	Catalogue Number	Ship. Wt. (lbs.) Std. Pkg.	Hub Type <sup>④</sup>	240V AC				250 Volt DC
							1-Phase, 2-Wire		3-Phase, 3-Wire		
Std.	Max.	Std.	Max.								

## 240 Volt Fusible<sup>①</sup>

### 2-Pole, 2-Fuse and Solid Neutral (Also used for 2-Pole, 2-Wire Applications) 240 Volt AC/250 Volt DC

Ampere Rating	Indoor Type 1 Catalogue Number	Indoor Type 1 Ship. Wt. (lbs.) Std. Pkg.	Outdoor Type 3R Catalogue Number	Outdoor Type 3R Ship. Wt. (lbs.) Std. Pkg.	Hub Type <sup>④</sup>	1-Phase, 2-Wire		3-Phase, 3-Wire		250 Volt DC
						Std.	Max.	Std.	Max.	
30	HFC221N	12	HFC221NR	13	ECHS	1 <sup>1/2</sup>	3	3	7 <sup>1/2</sup>	5
60	HFC222N	18	HFC222NR	19		3	10	7 <sup>1/2</sup>	15	10
100	HFC223N	23	HFC223NR	24		7 <sup>1/2</sup>	15	15	30	20
200	HFC224N	47	HFC224NR	48	ECHV	15	—	25	60	40
400	HFC225NA	91.1	HFC225NRA	91.1		15	—	50	125	50
600	HFC226NA	95.6	HFC226NRA	95.6		15	—	75	200	50
800	HFC227N	365	HFC227NR	365		—	—	100	250	50
1200	HFC228N■	385	HFC228NR■	385	—	—	100	250	50	

### 3-Pole, 3-Fuse and Solid Neutral (Also used for 3-Pole, 3-Wire Applications) 240 Volt AC/250 Volt DC

Ampere Rating	Indoor Type 1 Catalogue Number	Indoor Type 1 Ship. Wt. (lbs.) Std. Pkg.	Outdoor Type 3R Catalogue Number	Outdoor Type 3R Ship. Wt. (lbs.) Std. Pkg.	Hub Type <sup>④</sup>	1-Phase, 2-Wire		3-Phase, 3-Wire		250 Volt DC
						Std.	Max.	Std.	Max.	
30	HFC321N	14	HFC321NR	15	ECHS	1 <sup>1/2</sup>	3	3	7 <sup>1/2</sup>	5
60	HFC322N	19	HFC322NR	20		3	10	7 <sup>1/2</sup>	15	10
100	HFC323N	25	HFC323NR	26		7 <sup>1/2</sup>	15	15	30	20
200	HFC324N	49	HFC324NR	50	ECHV	15	—	25	60	40
400	HFC325NA	94.6	HFC325NRA	94.6		15	—	50	125	50
600	HFC326NA	99.6	HFC326NRA	99.6		15	—	75	200	50
800	HFC327N	375	HFC327NR	375		—	—	100	250	50
1200	HFC328N	395	HFC328NR	388	—	—	100	250	50	

## 240 Volt Fusible

### 2-Pole, 2-Fuse 240 Volt AC/250 Volt DC

Ampere Rating	Type 4/4X Stainless		Type 12 Industrial <sup>⑤</sup>		Hub Type <sup>⑥</sup>	Horsepower Ratings <sup>®</sup>				
	Catalogue Number	Ship. Wt. (lbs.) Std. Pkg.	Catalogue Number	Ship. Wt. (lbs.) Std. Pkg.		1-Phase, 2-Wire	3-Phase, 3-Wire	250 Volt DC		
30	HFC221S	13	HFC221J	13	SSH	1 <sup>1/2</sup>	3	3	7 <sup>1/2</sup>	5
60	HFC222S	19	HFC222J	19		3	10	7 <sup>1/2</sup>	15	10
100	HFC223S	24	HFC223J	24		7 <sup>1/2</sup>	15	15	30	20
200	HFC224S	48	HFC224J	48		15	—	25	60	40

### 3-Pole, 3-Fuse (Also used for 2-Pole, 2-Wire Applications in 400–800A Ratings) 240 Volt AC/250 Volt DC

Ampere Rating	Indoor Type 1 Catalogue Number	Indoor Type 1 Ship. Wt. (lbs.) Std. Pkg.	Outdoor Type 3R Catalogue Number	Outdoor Type 3R Ship. Wt. (lbs.) Std. Pkg.	Hub Type <sup>④</sup>	1-Phase, 2-Wire		3-Phase, 3-Wire		250 Volt DC
						Std.	Max.	Std.	Max.	
30	HFC321S	14	HFC321J	14	SSH	1 <sup>1/2</sup>	3	3	7 <sup>1/2</sup>	5
60	HFC322S	20	HFC322J	20		3	10	7 <sup>1/2</sup>	15	10
100	HFC323S	25	HFC323J	25		7 <sup>1/2</sup>	15	15	30	20
200	HFC324S	49	HFC324J	49	*	15	—	25	60	40
400	HF325SA <sup>⑦</sup>	93	HF325JA <sup>⑦</sup>	93		15	—	50	125	50
600	HF326SA <sup>⑦</sup>	98	HF326JA <sup>⑦</sup>	98		15	—	75	200	50
800	HFC327S■	370	HFC327J■	365		—	—	100	250	50

■ Built to order.

① Suitable for use as service equipment when neutral is bonded to the enclosure.

② Dual horsepower ratings: Std.- applies when non-time delay fuses are installed. Max.- applies when time-delay fuses are installed.

③ Hub type SSH are suitable for type 4/4X and type 12 applications.

④ Hub catalogue numbers available p. 3-26

⑤ 304 grade stainless steel.

⑥ Also rated for Type 3S/3R application. Factory provided drain plug must be removed from the bottom of the enclosure for type 3S/3R application.

⑦ For equipment suitable as service entry, order HFC325NSA, HFC326NSA, HFC325NJA or HFC326NJA based on the amperage and enclosure type required.

\* Consult Siemens representative.



# Heavy Duty Safety Switches

Selection



System	Ampere Rating	Indoor – Type 1		Outdoor – Type 3R			Horsepower Ratings <sup>④</sup>									
		Catalogue Number	Ship. Wt. (lbs.) Std. Pkg.	Catalogue Number	Ship. Wt. (lbs.) Std. Pkg.	Hub Type <sup>⑥</sup>	480V AC				600V AC				250 Volt DC	600 Volt DC
							1-Phase, 2-Wire		3-Phase, 3-Wire		1-Phase, 2-Wire		3-Phase, 3-Wire			
Std.	Max.	Std.	Max.	Std.	Max.	Std.	Max.	Std.	Max.	Std.	Max.	Std.	Max.			

## 600 Volt Fusible

### 2-Pole, 2-Fuse<sup>③</sup>

### 480 Volt AC/600 Volt AC/600 Volt DC

	30	HFC261	15	HFC261R	15	ECHS	3	7 <sup>1/2</sup>	–	–	3	10	–	–	5	15
	60	HFC262	20	HFC262R	20		10	20	–	–	10	25	–	–	10	30
	100	HFC263	26	HFC263R	27		15	30	–	–	15	40	–	–	20	50

### 3-Pole, 3-Fuse

### 480 Volt AC/600 Volt AC/250 Volt DC<sup>①</sup>

	30	HFC361	14	HFC361R	15	ECHS	3	7 <sup>1/2</sup>	5	15	3	10	7 <sup>1/2</sup>	20	5	–
	60	HFC362	19	HFC362R	20		5	20	15	30	10	25	15	50	10	30 <sup>②</sup>
	100	HFC363	24	HFC363R	25		5	20	25	60	15	40	30	75	20	50 <sup>②</sup>
	200	HFC364	48	HFC364R	49	ECHV	25	50	50	125	30	50	60	150	40	50
	400	HF365A <sup>⑧</sup>	93	HF365RA <sup>⑧</sup>	93		–	–	100	250	–	–	125	350	50	–
	600	HF366A <sup>⑧</sup>	98	HF366RA <sup>⑧</sup>	98		–	–	150	400	–	–	200	500	50	–
	800	HFC367	365	HFC367R	365		–	–	200	500	–	–	250	500	50	–
1200	HFC368	383	HFC368R	385	–	–	200	500	–	–	250	500	50	–		

### 3-Pole, 3-Fuse and Solid Neutral<sup>③</sup>

### 480 Volt AC/600 Volt AC/250 Volt DC<sup>①</sup>

	30	HFC361N	14	HFC361NR	15	ECHS	3	7 <sup>1/2</sup>	5	15	3	10	7 <sup>1/2</sup>	20	5	–
	60	HFC362N	19	HFC362NR	20		5	20	15	30	10	25	15	50	10	30 <sup>②</sup>
	100	HFC363N	25	HFC363NR	26		10	30	25	60	15	40	30	75	20	50 <sup>②</sup>
	200	HFC364N	49	HFC364NR	50	ECHV	25	50	50	125	30	50	60	150	40	50
	400	HFC365NA	94.6	HFC365NRA	94.6		–	–	100	250	–	–	125	350	50	–
	600	HFC366NA	99.6	HFC366NRA	99.6		–	–	150	400	–	–	200	500	50	–
	800	HFC367N	375	HFC367NR	375		–	–	250	500	–	–	250	500	50	–
1200	HFC368N	395	HFC368NR	388	–	–	250	500	–	–	250	500	50	–		

## 600 Volt Fusible<sup>⑦</sup> (For 2-Pole Applications use outside poles of 3-Pole Switches)

### 2-Pole, 2-Fuse<sup>③</sup>

### 480 Volt AC/600 Volt AC/600 Volt DC

	Ampere Rating	Type 4/4X Stainless <sup>⑨</sup>		Type 12 Industrial <sup>⑦</sup>		Hub Type <sup>⑥</sup>	Horsepower Ratings <sup>④</sup>									
		Catalogue Number	Ship. Wt. (lbs.) Std. Pkg.	Catalogue Number	Ship. Wt. (lbs.) Std. Pkg.		480V AC				600V AC				250 Volt DC	600 Volt DC
Std.	Max.	Std.	Max.	Std.	Max.	Std.	Max.	Std.	Max.	Std.	Max.	Std.	Max.	Std.		
	30	HFC261S	15	HFC261J■	15	SSH	3	7 <sup>1/2</sup>	–	–	3	10	–	–	5	15
	60	HFC262S	20	HFC262J■	20		5	20	–	–	10	25	–	–	10	30
	100	HFC263S■	27	HFC263J■	27		10	30	–	–	15	40	–	–	20	50

### 3-Pole, 3-Fuse

### 480 Volt AC/600 Volt AC/250 Volt DC<sup>①</sup>

	30	HFC361S	13	HFC361J	14	SSH	–	–	5	15	–	–	7 <sup>1/2</sup>	20	5	–
	60	HFC362S	20	HFC362J	20		–	–	15	30	–	–	15	50	10	30 <sup>②</sup>
	100	HFC363S	25	HFC363J	25		–	–	25	60	–	–	30	75	20	50 <sup>②</sup>
	200	HFC364S	49	HFC364J	49	*	–	–	50	125	–	–	60	150	40	50
	400	HF365SA <sup>⑧</sup>	93	HF365JA <sup>⑧</sup>	93		–	–	100	250	–	–	125	350	50	–
	600	HF366SA <sup>⑧</sup>	98	HF366JA <sup>⑧</sup>	98		–	–	150	400	–	–	200	500	50	–
	800	HFC367S	370	HFC367J■	365		–	–	200	500	–	–	250	500	50	–
1200	HFC368S■	388	HFC368J■	388	–	–	250	500	–	–	250	500	50	–		

■ Built to order.

① 60-600A 3-Pole switches are also rated 600V DC.

② 600V DC & 600V DC horsepower rating shown requires (2) poles to be connected in series.

③ Use 3-Pole switch for 200A applications.

④ Dual horsepower ratings: Std.- applies when non-time delay fuses are installed. Max.- applies when time-delay fuses are installed.

⑤ Suitable for use as service equipment when neutral is bonded to the enclosure.

⑥ Hub catalogue number available p. 3-26

⑦ When a neutral is required use neutral kit displayed on p. 3-24

⑧ Also rated for Type 3S/3R application. Factory provided drain plug must be removed from the bottom of the enclosure for type 3S/3R application.

⑨ 304 grade stainless steel. For switches with enclosures constructed from 316 grade stainless steel, consult Siemens representative.

⑩ Hub type SSH are suitable for type 4/4X and type 12 applications.

⑪ For equipment suitable as service entry, order HFC365NSA, HFC366NSA, HFC365NJA or HFC366NJA based on the amperage and enclosure type required.

\* Consult Siemens representative

# Heavy Duty Safety Switches

Selection



3 SAFETY SWITCHES

System	Ampere Rating	Indoor – Type 1		Outdoor – Type 3R			Horsepower Ratings							
		Catalogue Number	Ship. Wt. (lbs.)	Catalogue Number	Ship. Wt. (lbs.)	Hub <sup>®</sup> Type	240 Volt		480 Volt		600 Volt		250V DC	600V DC
							1-Phase	3-Phase	1-Phase	3-Phase	1-Phase	3-Phase		

## 600 Volt Non-Fusible

### 2-Pole<sup>③</sup> 480 Volt AC / 600 Volt AC / 600 Volt DC

	30	HNFC261	12	HNFC261R	13	ECHS	—	—	7 <sup>1/2</sup>	—	10	—	5	15
	60	HNFC262	19	HNFC262R	20		—	—	20	—	25	—	10	30
	100	HNFC263	24	HNFC263R	25		—	—	30	—	40	—	20	50

### 3-Pole 480 Volt AC / 600 Volt AC / 250 Volt DC

	30	HNFC361	12	HNFC361R	13	ECHS	5	10	7 <sup>1/2</sup>	20	10	30	5	—
	60	HNFC362 <sup>①</sup>	18	HNFC362R <sup>①</sup>	19		10	20	20	50	25	60	10	30 <sup>②</sup>
	100	HNFC363 <sup>①</sup>	23	HNFC363R <sup>①</sup>	24		15	40	30	75	40	100	20	50 <sup>②</sup>
	200	HNFC364 <sup>①</sup>	46	HNFC364R <sup>①</sup>	47		15	60	50	125	50	150	40	50
	400	HNFC365A	75	HNFC365RA	75	ECHV	15	125	50	250	50	350	50	—
	600	HNFC366A	77	HNFC366RA	77		15	200	50	400	50	500	50	—
	800	HNFC367	295	HNFC367R	295		15	250	50	500	50	500	50	—
	1200	HNFC368	305	HNFC368R	307		15	250	50	500	50	500	50	—

## 600 Volt Non-Fusible<sup>②</sup>

### 2-Pole<sup>③</sup> 480 Volt AC / 600 Volt AC / 600 Volt DC

	30	Type 4/4X Stainless <sup>②</sup>		Type 12 Industrial <sup>⑤</sup>		Hub Type <sup>⑥⑧</sup>	—	—	7 <sup>1/2</sup>	—	10	—	5	15									
		HNFC261S	13	HNFC261J	13										SSH								
		HNFC262S	20	HNFC262J	20											—	—	20	—	25	—	10	30
		HNFC263S■	25	HNFC263J■	25											—	—	30	—	40	—	20	50

### 3-Pole 480 Volt AC / 600 Volt AC / 250 Volt DC

	30	HNFC361S	13	HNFC361J	13	SSH	5	10	7 <sup>1/2</sup>	20	10	30	5	—
	60	HNFC362S <sup>①</sup>	19	HNFC362J <sup>①</sup>	19		10	20	20	50	25	60	10	30 <sup>②</sup>
	100	HNFC363S <sup>①</sup>	24	HNFC363J <sup>①</sup>	24		15	40	30	75	40	100	20	50 <sup>②</sup>
	200	HNFC364S <sup>①</sup>	47	HNFC364J <sup>①</sup>	47		15	60	50	125	50	150	40	50
	400	HNFC365SA	75	HNFC365JA	75	*	15	125	50	250	50	350	50	—
	600	HNFC366SA	77	HNFC366JA	77		15	200	50	400	50	500	50	—
	800	HNFC367S	295	HNFC367J■	295		15	250	50	500	50	500	50	—
	1200	—	—	HNFC368J■	310		15	250	50	500	50	500	50	—

■ Built to order.

① Also rated 600V DC.

② When neutral is required, use neutral kit displayed on p. 3-24

③ Use 3-Pole switch for 200A application.

④ Hub catalogue numbers available p. 3-26

⑤ Also rated for Type 3S/3R application. Factory provided drain plug must be removed from the bottom of the enclosure for type 3S/3R application.

⑥ 600V DC horsepower rating shown requires (2) poles to be connected in series.

⑦ 304 grade stainless steel. For switches with enclosures constructed from 316 grade stainless steel, consult Siemens representative.

⑧ Hub type SSH are suitable for type 4/4X and type 12 applications.

\*Consult Siemens representative.



# Heavy Duty Safety Switches

## Type 4/4X & 12 with Viewing Window

Selection

### Description

30–600A, 3-pole 600V max. in fusible and non-fusible versions in Type 4/4X stainless steel and Type 12 enclosures.

All allow viewing of visible blade position. 30–200A also allow viewing of indicating type fuses.

### Features

- Rugged installer-friendly enclosure design features a gasket flange with continuously welded seams
- Tool-free cover latches
- Two, three and four point mounting

- Metal handle with large insulating grip features a positive stop in both ON and OFF position
- Ground lugs provided as standard
- Type 12 enclosures are fabricated from galvanized steel and are also rated for 3R/3S outdoor applications
- Type 4X stainless steel switches are 304 grade stainless steel and 30-200A are provided with stainless steel interior parts
- The widest range of accessories available including 200% neutrals, gold plated PLC auxiliary contacts and isolated ground kits



System	Ampere Rating	Catalogue Number	Hub Type	Ship. Wt. (lbs.)	Maximum Horsepower Ratings <sup>②</sup>						
					240V AC		480V AC	600V AC		250V DC	600V DC
					1-Phase, 2-Wire	3-Phase, 3-Wire	3-Phase, 3-Wire	3-Phase, 3-Wire			
<b>3-Pole, 3-Wire Fusible, Type 12<sup>③</sup></b> (For 2-Pole Applications use outside poles of 3-Pole Switches)					<b>600 Volt AC / 250 Volt DC<sup>①</sup></b>						
	30	HFC361JW	SSH	17	3	7 <sup>1/2</sup>	15	20	5	—	
	60	HFC362JW		22	10	15	30	50	10	30 <sup>④</sup>	
	100	HFC363JW		26	15	30	60	75	20	30 <sup>④</sup>	
	200	HFC364JW		53	—	60	125	150	40	50	
	400	HFC365JWA <sup>⑤</sup>	*	93	—	125	250	350	50	—	
	600	HFC366JWA <sup>⑤</sup>		98	—	200	400	500	50	—	
<b>3-Pole, 3-Wire Non-Fusible, Type 12<sup>③</sup></b>					<b>600 Volt AC / 250 Volt DC<sup>①</sup></b>						
	30	HNFC361JW	SSH	14	3	10	20	30	5	—	
	60	HNFC362JW		21	10	20	50	60	10	30 <sup>④</sup>	
	100	HNFC363JW		25	15	40	75	100	20	50 <sup>④</sup>	
	200	HNFC364JW		51	15	60	125	150	40	50	
	400	HNF365JWA	*	75	15	125	250	350	50	—	
<b>3-Pole, 3-Wire Fusible, Type 4X Stainless<sup>⑥</sup></b> (For 2-Pole Applications use outside poles of 3-Pole Switches)					<b>600 Volt AC / 250 Volt DC<sup>①</sup></b>						
	30	HFC361SW	SSH	17	3	7 <sup>1/2</sup>	15	20	5	—	
	60	HFC362SW		23	10	15	30	50	10	30 <sup>④</sup>	
	100	HFC363SW		28	15	30	60	75	20	50 <sup>④</sup>	
	200	HFC364SW		55	—	60	125	150	40	50	
	400	HFC365SWA <sup>⑤</sup>	*	75	15	125	250	350	50	—	
	600	HFC366SWA		98	—	200	400	500	50	—	
<b>3-Pole, 3-Wire Non-Fusible, Type 4X Stainless<sup>⑥</sup></b>					<b>600 Volt AC / 250 Volt DC<sup>①</sup></b>						
	30	HNFC361SW	SSH	15	3	10	20	30	5	—	
	60	HNFC362SW		23	10	20	50	60	10	30 <sup>④</sup>	
	100	HNFC363SW		27	15	40	75	100	20	50 <sup>④</sup>	
	200	HNFC364SW		54	15	60	125	150	40	50	
	400	HNF365SWA	*	75	15	125	250	350	50	—	

① 200A switches are also rated 600V DC.

② Maximum HP ratings listed apply only when time delay fuses are used.

③ Also rated for Type 3S/3R application. Factory provided drain plug must be removed from the bottom of the enclosure for type 3S/3R application.

④ For equipment suitable as service entry, order HFC365NJWA, HFC366NJWA or HFC365NSWA based on the amperage and enclosure type required.

⑤ 600V DC horsepower rating shown requires (2) poles to be connected in series.

⑥ 304 grade stainless steel. For switches with enclosures constructed from 316 grade stainless steel, consult Siemens representative.

\* Consult Siemens representative.

# Heavy Duty Safety Switches

## Type VBII 4 & 6-Pole Heavy Duty Safety Switches

Selection

### Application

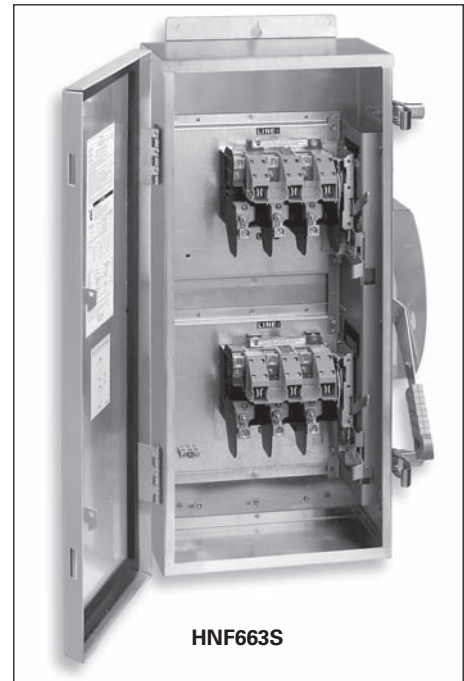
4 & 6-pole Switches are commonly used as a disconnecting means for two-speed, two-winding motors. Fused switches provide both over current and short circuit protection. Non-fusible switches normally provide a local disconnection means for two-speed motors which are remote from their motor controller. 4-pole switches are also used in 3-phase, 4-wire circuits when a switching neutral is required.

### Standards

- cUL & UL listed under file #E4776
- Meets UL98 for enclosed switches
- Meets NEMA Standard KS-1 for enclosed switches
- Meets CEC wire bending space requirements

### Features

- Visible blade, double break switching action
- Highly visible ON/OFF indication
- Defeatable dual cover interlock
- Padlock option in OFF position
- All copper current carrying parts<sup>①</sup>
- Tangential knockouts (Type 1, 4-pole switches)



HNF663S

### Description

4 & 6-pole switches are available in 30-200A ratings and in both fusible and non-fusible versions. 4-pole switches are supplied with either Type 1 or Type 12/3R enclosures.

6-pole switches are available with either Type 12/3R or Type 4X stainless steel enclosures.

### 4-Pole Type VBII Switches<sup>①</sup>

System	Ampere Rating	Indoor Type 1		Type 12/3R Industrial <sup>②</sup>			Horsepower Ratings <sup>③</sup>								
		Catalogue Number	Ship. Wt. (lbs.)	Catalogue Number	Ship. Wt. (lbs.)	Hub Type <sup>④</sup>	240V, 2Ø, 4W		240V 3Ø		480V, 3Ø		600V, 3Ø		250V DC
							Std.	Max.	Std.	Max.	Std.	Max.	Std.	Max.	

#### Fusible 600 Volt AC, 250 Volt DC — 4-Pole, 4 Fuse<sup>③</sup>

Rating	30	60	100	200	HF461	HF462	HF463	HF464	HF461J	HF462J	HF463J	HF464J	SSH	3	7½	15	25	3	7½	15	25	30	15	30	25	60	50	125	60	150	20	50	75	150	5	10	20	40
30	36	40	43	88	HF461	HF462	HF463	HF464	HF461J	HF462J	HF463J	HF464J	SSH	3	7½	15	25	3	7½	15	25	30	15	30	25	60	50	125	60	150	20 <td>50 <td>75 <td>150</td> <td>5 <td>10 <td>20 <td>40</td> </td></td></td></td></td>	50 <td>75 <td>150</td> <td>5 <td>10 <td>20 <td>40</td> </td></td></td></td>	75 <td>150</td> <td>5 <td>10 <td>20 <td>40</td> </td></td></td>	150	5 <td>10 <td>20 <td>40</td> </td></td>	10 <td>20 <td>40</td> </td>	20 <td>40</td>	40

#### Non-fusible 600 Volt AC, 250 Volt DC — 4-Pole

Rating	30	60	100	200	HNF461	HNF462	HNF463	HNF464	HNF461J	HNF462J	HNF463J	HNF464J	SSH	—	10	20	50	—	10	20	40	75	150	—	30	60	100	150	—	30	60	100	150	5	10	20	4
30	32	34	36	78	HNF461	HNF462	HNF463	HNF464	HNF461J	HNF462J	HNF463J	HNF464J	SSH	—	10	20	50	—	10	20	40	75	150	—	30	60	100	150	—	30	60	100	150	5 <td>10 <td>20 <td>4</td> </td></td>	10 <td>20 <td>4</td> </td>	20 <td>4</td>	4

### 6-Pole Type VBII Switches<sup>①④</sup>

System	Ampere Rating	Type 12 Industrial		Type 4X Stainless Steel			Horsepower Ratings <sup>③</sup>								
		Catalogue Number	Ship. Wt. (lbs.)	Catalogue Number	Ship. Wt. (lbs.)	Hub Type <sup>④</sup>	240V 3Ø		480V, 3Ø		600V, 3Ø		250V DC		
							Std.	Max.	Std.	Max.	Std.	Max.			

#### Fusible 600 Volt AC, 250 Volt DC — 6-Pole, 6 Fuse<sup>③</sup>

Rating	30	60	100	200	HF661J	HF662J	HF663J	HF664J	HF661S	HF662S	HF663S	HF664S	SSH	3	7½	15	25	3	7½	15	25	30	15	30	25	60	50	125	60	150	20	50	75	150	5	10	20	40
30	37	41	44	90	HF661J	HF662J	HF663J	HF664J	HF661S	HF662S	HF663S	HF664S	SSH	3	7½	15	25	3	7½	15	25	30	15	30	25	60	50	125	60	150	20 <td>50 <td>75 <td>150</td> <td>5 <td>10 <td>20 <td>40</td> </td></td></td></td></td>	50 <td>75 <td>150</td> <td>5 <td>10 <td>20 <td>40</td> </td></td></td></td>	75 <td>150</td> <td>5 <td>10 <td>20 <td>40</td> </td></td></td>	150	5 <td>10 <td>20 <td>40</td> </td></td>	10 <td>20 <td>40</td> </td>	20 <td>40</td>	40

#### Non-fusible 600 Volt AC, 250 Volt DC — 6-Pole

Rating	30	60	100	200	HNF661J	HNF662J	HNF663J	HNF664J	HNF661S	HNF662S	HNF663S	HNF664S	SSH	—	10	20	60	—	10	20	40	75	125	—	30	60	100	150	—	30	60	100	150	5	10	20	40
30	33	35	37	80	HNF661J	HNF662J	HNF663J	HNF664J	HNF661S	HNF662S	HNF663S	HNF664S	SSH	—	10	20	60	—	10	20	40	75	125	—	30	60	100	150	—	30	60	100	150	5 <td>10 <td>20 <td>40</td> </td></td>	10 <td>20 <td>40</td> </td>	20 <td>40</td>	40

■ Built to order.

① Lugs are aluminum alloy as standard. Optional copper body lugs are available.

② Dual horsepower ratings: Std. – applies when non-time-delay fuses are installed. Max. – applies when time delay fuses are installed.

③ Fusible switches accept Class H Fuses as the standard. Class R & J fuses can also be installed and increase the rating from 10,000 to 200,000 AIC. For Class J, the load base is moved upward. For Class R fuses, rejection kits are required.

④ Supplied with factory installed ground lugs.

⑤ Hub catalogue number available p. 3-26

⑥ Hub type SSH are suitable for type 4/4X and type 12 applications.

# Heavy Duty Safety Switches

## Special Application Switches / Interlocked Receptacle Switches

Selection

### Application

Receptacle Safety Switches provide cord connection protection of heavy-duty portable equipment (welders, infrared ovens, batch feeders, portable conveyors, assembly line fixtures and tools, refrigerator trucks, etc.) under load or fault conditions.

### Standards

All receptacle switches with a viewing window are CSA certified under file #24563 and UL listed under file #E4776.

### Description<sup>①②</sup>

Type 12 and 4/4X Receptacle Safety Switches are available with 3-phase, 4-wire grounded type Crouse-Hinds Arkite™, pre-wired and mounted with interlock linkage to the switch mechanism. Insertion or removal of the plug is prevented by the interlock linkage while the switch is in the "ON" position. Receptacle prevents operation of switch if incorrect plug is inserted.



3 SAFETY SWITCHES

### Crouse-Hinds Interlocked Receptacle Switches

Ampere Rating <sup>③</sup>	Type 12 <sup>②</sup>	Type 4/4X <sup>②</sup>	Hub Type <sup>④</sup>	Shipping Wt. (lbs.) Std. Pkg.	Accepts Crouse-Hinds Arkite <sup>®</sup> Plug Catalogue Number
	Catalogue Number	Catalogue Number			

#### 600V Fusible, 3-Pole, 3-Wire with Viewing Window

30	HF361JCHW	HF361SCHW	SSH	24	APJ3485 & NPJ3485
60	HF362JCHW	HF362SCHW		30	APJ6485 & NPJ6485
100	HF363JCHW	HF363SCHW		36	APJ10487 & NPJ10487

#### 600V Non-Fusible, 3-Pole, 3-Wire with Viewing Window

30	HNF361JCHW	HNF361SCHW	SSH	22	APJ3485 & NPJ3485
60	HNF362JCHW	HNF362SCHW		29	APJ6485 & NPJ6485
100	HNF363JCHW	HNF363SCHW		35	APJ10487 & NPJ10487

### Receptacle switches dimensions

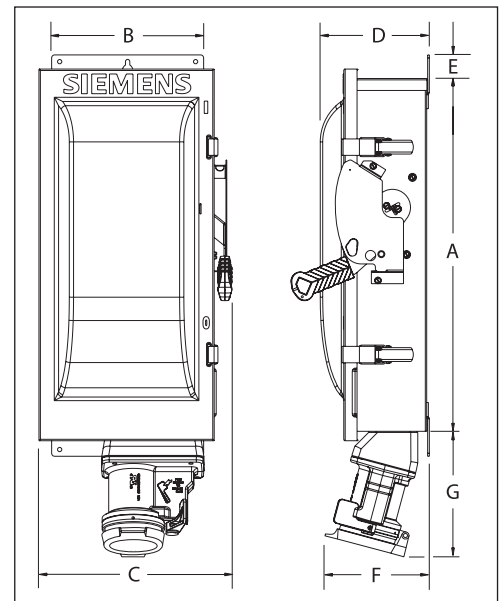
Ampere Rating	Dimensions - Inches (mm)						
	A	B	C	D	E	F	G

#### Cr-H Type Fusible (240 & 600V)

30	14.27 (363)	7.42 (188)	9.02 (229)	6.22 (158)	1.52 (39)	6.1 (155)	6.0 (152)
60	16.27 (413)	9.17 (233)	11.47 (291)	6.34 (161)	1.52 (39)	6.4 (163)	7.4 (188)
100	21.96 (558)	9.65 (245)	12.02 (305)	6.80 (172)	1.52 (39)	6.5 (165)	7.6 (193)

#### Cr-H Type Non-Fused (600V max.)

30	14.27 (363)	7.42 (188)	9.02 (229)	6.22 (158)	1.52 (39)	6.1 (155)	6.0 (152)
60	16.27 (413)	9.17 (233)	11.47 (291)	6.34 (161)	1.52 (39)	6.4 (163)	7.4 (188)
100	21.96 (558)	9.65 (245)	12.02 (305)	6.80 (172)	1.52 (39)	6.5 (165)	7.6 (193)



① Arkite™ is a registered trademark of the Crouse-Hinds Company. Plugs are not sold or supplied by Siemens.

② Also rated Type 3R/3S.

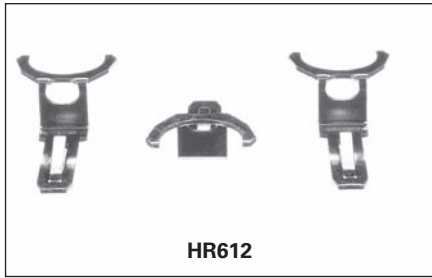
③ Enclosure is constructed of Type 304 stainless steel.

④ Hub catalogue available p. 3-26

# Heavy Duty Safety Switches

## Accessories

## Selection



HR612

### Class R Fuse Clip Kits

All Heavy Duty Switches are field convertible to accept Class R Fuse Clip Kits. The kits prevent the installation of Class H and K fuses (one kit required per 3-pole switch).

### Class R Fuse Clip Kits

Catalogue Number	Description
HR21	30A, 240V Kit (HD only)
HR612	30A, 600V Kit/60A, 240V Kit
HR62	60A, 600V Kit
HR63	100A Kit
HR64	200A Kit
HR65A	400A Kit
HR66A	600A Kit

### Class J Fusing

All 30-600A, 600V and 100-600A, 240V fusible Heavy Duty Switches are field convertible to accept Class J fuses by moving the load base to a pre-drilled J fuse position. 600A Heavy Duty switches require Class J fuse clip kit HJ66A to accept class J fuses. (one kit required per 3-pole switch).

### Class J Fuse Kits

Catalogue Number	Description
HJ66A	600A, 240V/600V Kit

### Internal Shield Kits (for fusible switches)

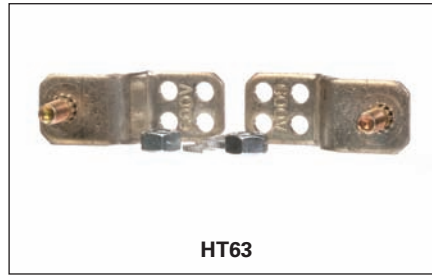
Kits provide a clear plastic inner door to prevent accidental contact with live parts. Test probe holes are provided and fuses can be replaced without removal of kit.

### NEW Internal Shield Kits<sup>®</sup>

Switch Ampere Rating	Kit Catalogue Number
30A HD	HSK61SSW
60A HD	HSK62SSW
100A HD	HSK63SSW
200A HD	HSK64SSW

▲ Built to order. Allow 6-8 weeks for delivery.

© One kit per pole required.



HT63

### Class T Fuse Adapter Kits

All 100-200Amp and 1200Amp Heavy Duty Switches are field convertible to accept Class T fuses. 800A switches are field convertible to accept Class T fuses by moving the load base to a pre-drilled T fuse position.

### Class T Fuse Adapter Kits<sup>®</sup>

Catalogue Number	Description
HT23	100A, 240V Kit
HT63	100A, 600V Kit
HT24	200A, 240V Kit
HT64▲	200A, 600V Kit
HT25A	400A, 240V Kit
HT65A	400A, 600V Kit
HT26A	600A, 240V Kit
HT66A	600A, 600V Kit
TFAK82	1200A, 240V Kit



HNC623

### Neutral Kits

Standard Neutral Kits can be field installed in Heavy Duty Switches.

### Neutral Kits

Switch Ampere Rating	Kit Catalogue Number
30 HD	HNC612
60, 100 HD	HNC623
200	HNC64
400 & 600	HNC656A
800 & 1200	HNC678

© Not designed for use with Auxiliary Contacts.



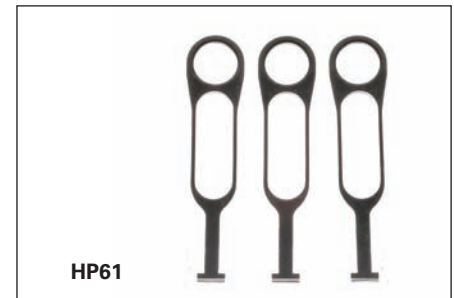
HN264

### 200% Neutral Kits

CSA certified 200% Neutrals are available on 100-600A Heavy Duty Switches. They are typically used with non-linear transformers or where increased neutral ampacity/lug capacity is required.

### 200% Neutral Kits

Switch Ampere Rating	Kit Catalogue Number	Wire Range Line & Load Lugs (Cu/Al)
100	HNC263	(2) #14-1/0 AWG
200	HNC264	(2) #6 AWG-300 Kcmil
400	HNC656A	(2) 1/0 AWG-600 Kcmil (2) #6 AWG-300 Kcmil
600	HNC678A	(2) 1/0 AWG-600 Kcmil (2) #6 AWG-300 Kcmil



HP61

### Fuse Puller Kits

Fuse Puller Kits are field installable in 30-100A Type VBII Heavy Duty Switches (one kit required per 3-pole switch).

### Fuse Puller Kits

Switch Ampere Rating	Fuse Puller Kit Catalogue Number
30	HP61
60	HP62▲
100	HP63▲

# Heavy Duty Safety Switches

## Accessories

## Selection



HA261234



HA261234



HLC612

HG261234

### Auxiliary Contacts

Auxiliary Contacts are available only for Heavy Duty Switches. The auxiliary contacts are available in 1 normally open and 1 normally closed or 2 normally open and 2 normally closed configurations. Siemens offers a PLC Auxiliary Switch (30-200A) that has very low resistance for low voltage and current typical in PLC circuits. All auxiliary contacts make after and break before main switch contacts.

### Auxiliary Contacts

Switch Ampere	Aux. Switch Catalogue Number	Kit Ampere Rating			Horsepower Rating	
		125V AC Max.	250V AC Max.	28V DC Max.	125V AC Max.	250V AC Max.
30-600	HA161234	10	10	7	1/2	3/4
800-1200	HA165678	10	10	—	1/2	3/4

### With 1 NO & 1 NC Isolated Contacts

30-600	HA161234	10	10	7	1/2	3/4
800-1200	HA165678	10	10	—	1/2	3/4

### With 2 NO & 2 NC Isolated Contacts

30-600	HA261234	10	10	7	1/2	3/4
800-1200	HA265678	10	10	7	1/2	3/4

### Low Current PLC Type with 1 NO & 1 NC Gold Plated Contacts

30-600	HA361234	10	10	7	1/2	3/4
800-1200	HA365678	10	10	—	1/2	3/4

### Copper Lug Kits

Heavy duty switches are CSA certified to accept field installed copper lug kits.

### Copper Lug Kits

Switch Ampere Rating	Copper Lug Catalogue Number	Description
30-60	HLC612	(9) Lugs/Kit #14-4 AWG Cu
100	HLC63▲	(9) Lugs/Kit #14-1/0 AWG Cu
200	HLC64▲	(9) Lugs/Kit #6 AWG-300 Kcmil Cu
400-600	HCU656A■	(1) Lugs/Kit #1/0 AWG-600 Kcmil Cu
800-1200	HLC65678	(1) Lugs/Kit #1/0 AWG-600 Kcmil Cu

▲ Built to order. Allow 6-8 weeks for delivery.

■ Purchase field replacement kit along with lugs.

### NEW Quick Connects

They provide two point control power take-off capability and are normally used on two poles on the line side when it is required to have control power available when the switch is in the OFF position. They provide a mounting provision for standard 1/4" quick connect terminal. Installed in the line or load side. 30A VBII switches have lugs CSA certified to accept (2) wires per pole as standard so a 30A kit is not required.

### Quick Connects

Catalogue Number	Description
HCQ62	60A 2 wire quick connect kit
HCQ63	100A 2 wire quick connect kit
HCQ64	200A 2 wire quick connect kit

### Isolated Ground Kits

Isolated Ground Kits are available on 30-600A Heavy Duty Switches. They are normally used on circuits with a high content of computer or other electronic loading which require a ground which is isolated from the building ground and neutral circuits. The kit includes both isolated and grounded terminals as listed below.

### Isolated Ground Kits

Switch Ampere Rating	Catalogue Number	Number of Terminals		Wire Range Per Terminal (Cu/Al)
		Isolated	Grounded	
30-200	HG261234	2	2	#14-4 AWG
400-600	HG2656A	4	4	2/0-14 AWG 2/0-6 AWG

### Equipment Ground Kits

Equipment Ground Lug Kits are available for all Heavy Duty Switches. They are field installable in Type 1 and Type 3R Switches and are factory installed as standard in Type 4 / 4X and Type 12 and also in all VBII 4&6-pole Switches.

### Equipment Ground Kits

Switch Ampere Rating	Catalogue Number	Number of Terminals	Wire Range Per Terminal (Cu/Al)
30-200 HD	HG61234	2	#14-4 AWG
400 & 600	HG656A	4	2/0-6 AWG
800-1200	HG678	8	#6 AWG-250 Kcmil



# Heavy Duty

## Hub and Lug Data

Selection

### Interchangeable Hubs

Conduit hubs are available for Type 3R, 12 and 4 / 4X applications. 30-200A Type 3R Switches are provided with a conduit hub provision and a removable hub plate on their top rainshed.

Conduit Size (inches)	Catalogue Number	Used On
-----------------------	------------------	---------

### Type 3R<sup>①</sup>

Cover	Catalogue Number	Used On
3/4	ECHA000	30A GD Only
1	ECHA075	
1 1/4	ECHA100	
1 1/2	ECHA125	
Cover	ECHS000	60-200A GD 30-200A HD
3/4	ECHS075	
1	ECHS100	
1 1/4	ECHS125	
1 1/2	ECHS150	
2	ECHS200	
2 1/2	ECHS250	400-1200A
3	ECHV300	
3 1/2	ECHV350	
4	ECHV400	

### Type 4/4X<sup>②</sup>

Cover	Catalogue Number	Used On
3/4	SSH075	30-200A
1	SSH100	
1 1/4	SSH125	
1 1/2	SSH150	
2	SSH200	
2 1/2	SSH250	400-600A
3	SSH300	
3 1/2	SSH350	
4	SSH400	

**Note:** 30 thru 200A. Type 3R Switches have removable hub plates on rainshed. 400A and larger Type 3R Switches have no provisions for mounting hubs. Drill or punch hole in the field to accommodate hub size desired.

### Field Replacement Kits and Neutral Barrier Kits

All Heavy Duty Switches are field convertible for (Crimp) type lugs. When compression lugs are required for 30-100A switches, a neutral barrier kit is required for 1-Phase, 3W or 3-Phase, 4W applications. When compression lugs are required on 400-1200A switches, lug mounting kits are required.

### Field Replacement Kits and Neutral Barrier Kits

Switch Ampere Rating	Catalogue Number	Kit Description
30	HCL612	Neutral Barrier Kit
60 & 100	HCL623	Neutral Barrier Kit
400	HCM65A	240V/600V Fusible Kit
400	HNCM65A	240/600V Non-Fusible Kit
600	HCM66A	240V/600V Fusible Kit
600	HNCM66A	240V/600V Non-Fusible Kit
800 & 1200 <sup>③</sup>	HCL65678■	1 Pole, Compression Lug Mounting Kit

### Lugs

30 & 60A Switches are suitable for use with 60° or 75°C wire. 100-1200A are suitable for use with 75°C rated wire.

### Multiple Padlock Accessory

A tamper-proof device to provide for multiple padlocking to meet OSHA or plant requirements. Accepts up to 6 1/4" padlocks. Catalog number **SL0420**. Standard Carton-12.



## Wire Ranges (Line, Load and Standard Neutral)

Switch Ampere Rating	Wire Range with Wire Bending Space Per NEC Requirements	Lug Wire Range
30GD	#14-8 AWG (Cu/Al) <sup>④</sup>	#14-6 AWG (Cu/Al)
30HD	#14-6 AWG (Cu/Al)	#14-2 AWG (Cu/Al)
60 <sup>⑤</sup>	#14-3 AWG (Cu/Al)	#14-2 AWG (Cu/Al)
100 <sup>⑥</sup>	#14-1/0 AWG (Cu/Al)	#14-1/0 AWG (Cu/Al)
200 <sup>⑦</sup>	#6 AWG-250 Kcmil (Cu/Al)	#6 AWG-300 Kcmil (Cu/Al)
400 <sup>⑧</sup>	(1) 1/0 AWG-600 Kcmil (Cu/Al) (2) 1/0 AWG-500 Kcmil (Cu/Al)	(2) 1/0 AWG-600 Kcmil (Cu/Al)
600 <sup>⑨</sup>	(1) 1/0 AWG-600 Kcmil (Cu/Al) (2) 1/0 AWG-500 Kcmil (Cu/Al)	(2) 1/0 AWG-600 Kcmil (Cu/Al)
800	(3) 1/0 AWG-750 Kcmil (Cu/Al) Line Load (4) 1/0 AWG-750 Kcmil (Cu/Al) neutral	(3) 1/0 AWG-750 Kcmil (Cu/Al) Line Load (4) 1/0 AWG-750 Kcmil (Cu/Al) neutral
1200	(4) 3/0 AWG-750 Kcmil (Cu/Al) Line Load (4) 1/0 AWG-750 Kcmil (Cu/Al) neutral	(4) 1/0 AWG-750 Kcmil (Cu/Al) Line Load (4) 1/0 AWG-750 Kcmil (Cu/Al) neutral

■ Built to order. Allow 3-4 weeks for delivery.

- ① Hubs suitable for 3R Switches.
- ② Also suitable for Type 12 applications.
- ③ Neutral Barrier kits are required on 30-100A switches only and only with 1-Phase / 3W or 3-Phase / 4W loads. Compression Lugs mounting kits are required on 400-1200A switches only.
- ④ Provides mounting for a single line or load lug.
- ⑤ Provides mounting for (2) compression lugs per phase on line or load.
- ⑥ Line base lugs (only) are CSA certified to accept #14-6 CU/Al cable.
- ⑦ Max. wire size for height reduced switches is 500 kcmil (Cu/Al).
- ⑧ All but 60A GD & Compact HD NF switches are also CSA certified for #2 Cu/Al conductors.
- ⑨ All 200A Heavy Duty Switches have a wire range & wire bending space for (1) #6-300 Kcmil (Cu/Al).
- ⑩ Also for 30A oversized heavy duty switches.
- ⑪ Also for 60A oversized heavy duty switches.

# General and Heavy Duty

## VBII Safety Switch Replacement Parts

Selection

### VBII Safety Switch Replacement Parts

Ampere Rating	Line Base	Load Base	Handle / Handle Guard	
			General Duty	Heavy Duty
	Catalogue Number	Catalogue Number	Catalogue Number	Catalogue Number

#### Fusible 2- and 3-Pole 60-400A General Duty & 30-1200A Heavy Duty<sup>⑤⑥</sup>

30 HD 240V	HFB21 <sup>②</sup>	HBB21 <sup>②</sup>	—	HH6123 <sup>⑦</sup>
60 GD	HFB612 <sup>②</sup>	HBB612 <sup>②</sup>	GH223	—
60 HD 240V	HFB22 <sup>②</sup>	HBB22 <sup>②</sup>	—	HH6123 <sup>⑦</sup>
30 600V	HFB612 <sup>②</sup>	HBB612 <sup>②</sup>	—	HH6123 <sup>⑦</sup>
60 600V	HFB62 <sup>②</sup>	HBB62 <sup>②</sup>	—	HH6123 <sup>⑦</sup>
100	HFB63 <sup>②</sup>	HBB63 <sup>②</sup>	GH223	HH6123 <sup>⑦</sup>
200	HFB64 <sup>②</sup>	HBB64 <sup>②</sup>	GH24	HH64 <sup>⑦</sup>
400	HFB65 <sup>③④</sup>	HBB656 <sup>③④</sup>	HH65678	HH65678 <sup>⑦</sup>
600	HFB66 <sup>③④</sup>	HBB656 <sup>③④</sup>	HH65678	HH65678 <sup>⑦</sup>
800	HFB67A <sup>②④</sup>	HBB67A <sup>②④</sup>	—	HH65678 <sup>⑦</sup>
1200	HFB68 <sup>②④</sup>	HBB68 <sup>②④</sup>	—	HH68 <sup>⑦</sup>



#### Non-Fusible 3-Pole 60-400A General Duty & 30-1200A Heavy Duty<sup>⑤⑥</sup>

30 HD	HNB612 <sup>②</sup>	—	—	HH6123 <sup>⑦</sup>
60 GD	HNB612 <sup>②</sup>	—	GH223	—
60 HD	HNB623 <sup>②</sup>	—	—	HH6123 <sup>⑦</sup>
100	HNB623 <sup>②</sup>	—	GH223	HH6123 <sup>⑦</sup>
200	HNB64 <sup>②</sup>	—	GH24	HH64 <sup>⑦</sup>
400	HNB65 <sup>③④</sup>	—	HH65678	HH65678 <sup>⑦</sup>
600	HNB66 <sup>③④</sup>	—	HH65678	HH65678 <sup>⑦</sup>
800	HNB67A <sup>②④</sup>	—	—	HH65678 <sup>⑦</sup>
1200	HNB678 <sup>②</sup>	—	—	HH68 <sup>⑦</sup>



Ampere Rating	Mechanism Assembly	Line & Load Lugs
	Catalogue Number	Catalogue Number

#### Fusible 2- and 3-Pole 60-400A General Duty & 30-1200A Heavy Duty<sup>⑤⑥</sup>

30 HD 240V	HM6123 <sup>⑦</sup>	HL612 <sup>①</sup>
60 GD	HM6123	HL612 <sup>①</sup>
60 HD 240V	HM6123 <sup>⑦</sup>	HL612 <sup>①</sup>
30 600V	HM6123 <sup>⑦</sup>	HL612 <sup>①</sup>
60 600V	HM6123 <sup>⑦</sup>	HL612 <sup>①</sup>
100	HM6123 <sup>⑦</sup>	HL63 <sup>①</sup>
200	HM64 <sup>⑦</sup>	HL64 <sup>①</sup>
400	HM65	HL65678 <sup>④</sup>
600	HM66	HL65678 <sup>④</sup>
800	HM67A	HL67A <sup>⑥⑦</sup>
1200	HM678	⑨

#### Non-Fusible 3-Pole, 30-1200A Heavy Duty<sup>⑤⑥</sup>

30 HD	HM6123 <sup>⑦</sup>	HL612 <sup>①</sup>
60 HD	HM6123 <sup>⑦</sup>	HL612 <sup>①</sup>
100	HM6123 <sup>⑦</sup>	HL63 <sup>①</sup>
200	HM64 <sup>⑦</sup>	HL64 <sup>①</sup>
400	HM65	HL65678 <sup>④</sup>
600	HM66	HL65678 <sup>④</sup>
800	HM67A	HL67A <sup>⑥⑦</sup>
1200	HM678	⑨

### Internal Shield Kits

These kits provide an inner door on safety switches to prevent accidental contact with live parts. All kits are constructed from clear plastic, provide test probe holes and allow replacement of fuses without the removal of the kit.

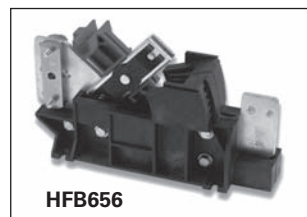
Catalogue Number	Switch Ampere Rating	UPC Code 040892_____
------------------	----------------------	----------------------

#### For use with Fusible Type 1, 3R, 12 and 4X Stainless Steel Enclosed Safety Switches

HSK61SSW	30	79020
HSK62SSW	60	79021
HSK63SSW	100	79002
HSK64SSW	200	79023

#### For use with Fusible Type VBII Disconnect Switches

HSK61	30	79024
HSK623	60 & 100	79025
HSK64	200	79026



- ① Three lugs included in kit.
- ② Includes lugs.
- ③ Lugs not included.
- ④ One lug per kit.

- ⑤ One per switch required unless otherwise noted.
- ⑥ One required per pole.
- ⑦ For type 4/4X stainless steel switches add "S" to end of catalogue number.

- ⑧ For replacement door for heavy duty switches add "DOOR" to end of switch catalogue number.
- ⑨ Lugs included with line and load bases.



# Heavy Duty Safety Switches

*Dimensions*

## Safety Switch Dimensions & Shipping Weights

Catalogue Number	Height - Inches (mm)			Width - Inches (mm)		Depth - Inches (mm)		Knockout Diagram <sup>Ⓞ</sup>	Shipping Weight (lbs.)
	Box A	With Door B	With Rain Shed C	Box D	With Handle E	Box F	With Handle G		
HFC221J also HFC261J	14.27 (364)	17.33 (442)	—	6.65 (170)	9.02 (230)	5.32 (136)	10.46 (266)	—	13
HFC221N also HFC261	14.26 (364)	15.45 (394)	—	6.64 (170)	9.01 (230)	5.05 (130)	10.17 (260)	S6	12
HFC221NR also HFC261R	14.39 (366)	—	15.77 (402)	6.64 (170)	9.01 (230)	5.05 (130)	10.17 (260)	S8	13
HFC221S also HFC261S	14.27 (364)	17.33 (442)	—	6.65 (170)	9.02 (230)	5.32 (136)	10.46 (266)	—	13
HFC222J also HFC262J	16.22 (412)	19.31 (492)	—	9.17 (234)	11.47 (292)	5.33 (136)	10.46 (266)	—	19
HFC222N also HFC262	16.26 (414)	17.46 (444)	—	9.15 (234)	11.53 (294)	5.05 (130)	10.17 (260)	S16	18
HFC222NR also HFC262R	16.26 (414)	—	17.77 (452)	9.16 (234)	11.53 (294)	5.05 (130)	10.17 (260)	S17	19
HFC222S also HFC262S	16.22 (412)	19.31 (492)	—	9.17 (234)	11.47 (292)	5.33 (136)	10.46 (266)	—	19
HFC223J also HFC263J	21.96 (558)	23.16 (590)	—	9.65 (246)	12.02 (306)	5.34 (136)	10.46 (266)	—	24
HFC223N also HFC263	21.95 (558)	23.15 (590)	—	9.64 (246)	12.01 (306)	5.05 (130)	10.17 (260)	S10	23
HFC223NR also HFC263R	21.95 (558)	—	23.46 (596)	9.64 (246)	11.97 (306)	5.05 (130)	10.17 (260)	S11	24
HFC223S also HFC263S	21.96 (558)	23.16 (590)	—	9.65 (246)	12.02 (306)	5.34 (136)	10.46 (266)	—	24

Ⓞ Knocks not provided on Type 4 / 4X and 12 or on 800 & 1200A switches.

# Heavy Duty Safety Switches

Dimensions

## Safety Switch Dimensions & Shipping Weights

Catalogue Number	Height - Inches (mm)			Width - Inches (mm)		Depth - Inches (mm)		Knockout Diagram <sup>①</sup>	Shipping Weight (lbs.)
	Box A	With Door B	With Rain Shed C	Box D	With Handle E	Box F	With Handle G		
HFC224J	29.96 (762)	31.07 (790)	—	14.62 (372)	16.95 (432)	6.63 (170)	12.58 (320)	—	48
HFC224N	29.9 (760)	31.07 (790)	—	14.62 (372)	16.98 (432)	6.36 (162)	12.33 (314)	S12	47
HFC224NR	29.9 (760)	—	31.42 (800)	14.61 (372)	16.99 (432)	6.36 (162)	12.33 (314)	S13	48
HFC224S	29.96 (762)	31.07 (790)	—	14.62 (372)	16.95 (432)	6.63 (170)	12.58 (320)	—	48
HFC225NRA	45.32 (1152)	45.81 (1164)	—	22.4 (570)	23.404 (596)	6.94 (178)	9.93 (254)	S19	91.1
HFC225NA	45.32 (1152)	45.81 (1164)	—	22.4 (570)	23.404 (596)	6.94 (178)	9.93 (254)	S18	91.1
HFC226NA	45.32 (1152)	45.81 (1164)	—	22.4 (570)	23.404 (596)	6.94 (178)	9.93 (254)	S18	95.6
HFC226NRA	45.32 (1152)	45.81 (1164)	—	22.4 (570)	23.404 (596)	6.94 (178)	9.93 (254)	S19	95.6
HFC227N	66.67 (1694)	67.16 (1706)	—	38.4 (976)	39.96 (1016)	9.24 (236)	14.68 (374)	—	360
HFC227NR	66.67 (1694)	—	67.74 (1722)	38.4 (976)	39.96 (1016)	9.24 (236)	14.68 (374)	—	362
HFC228N	66.67 (1694)	67.16 (1706)	—	38.4 (976)	39.96 (1016)	9.24 (236)	14.68 (374)	—	362
HFC228NR	66.67 (1694)	—	67.74 (1722)	38.4 (976)	39.96 (1016)	9.24 (236)	14.68 (374)	—	364
HFC321J	14.27 (364)	17.33 (442)	—	6.65 (170)	9.02 (230)	5.32 (136)	10.46 (266)	—	14
HFC321N	14.26 (364)	15.45 (394)	—	6.64 (170)	9.01 (230)	5.05 (130)	10.17 (260)	S6	14
HFC321NR	14.39 (366)	—	15.77 (402)	6.64 (170)	9.01 (230)	5.05 (130)	10.17 (260)	S8	15
HFC321S	14.27 (364)	17.33 (442)	—	6.65 (170)	9.02 (230)	5.32 (136)	10.46 (266)	—	14
HFC322J	16.27 (414)	19.31 (492)	—	9.17 (234)	11.47 (292)	5.33 (136)	10.46 (266)	—	20
HFC322N	16.26 (414)	17.46 (444)	—	9.15 (234)	11.53 (294)	5.05 (130)	10.17 (260)	S16	19
HFC322NR	16.26 (414)	—	17.77 (452)	9.16 (234)	11.53 (294)	5.05 (130)	10.17 (260)	S17	20
HFC322S	16.27 (414)	19.31 (492)	—	9.17 (234)	11.47 (292)	5.33 (136)	10.46 (266)	—	20
HFC323J	21.96 (558)	23.16 (590)	—	9.65 (246)	12.02 (306)	5.34 (136)	10.46 (266)	—	25
HFC323N	21.95 (558)	23.15 (590)	—	9.64 (246)	12.01 (306)	5.05 (130)	10.17 (260)	S10	25
HFC323NR	21.95 (558)	—	23.46 (596)	9.64 (246)	11.97 (306)	5.05 (130)	10.17 (260)	S11	26
HFC323S	21.96 (558)	23.16 (590)	—	9.65 (246)	12.02 (306)	5.34 (136)	10.46 (266)	—	25
HFC324J	29.96 (762)	31.07 (790)	—	14.62 (372)	16.95 (432)	6.63 (170)	12.58 (320)	—	49
HFC324N	29.9 (760)	31.07 (790)	—	14.62 (372)	16.98 (432)	6.36 (162)	12.33 (314)	S12	49
HFC324NR	29.9 (760)	—	31.42 (800)	14.61 (372)	16.99 (432)	6.36 (162)	12.33 (314)	S13	50
HFC324S	21.96 (558)	31.07 (790)	—	14.62 (372)	16.95 (432)	6.63 (170)	12.58 (320)	—	49
HF325JA also HFC325NJA	45.32 (1152)	45.81 (1164)	—	22.4 (570)	23.404 (596)	6.97 (178)	10.05 (256)	—	93
HFC325NA	45.32 (1152)	45.81 (1164)	—	22.4 (570)	23.404 (596)	6.94 (178)	9.93 (254)	S18	94.6
HFC325NRA	45.32 (1152)	45.81 (1164)	—	22.4 (570)	23.404 (596)	6.94 (178)	9.93 (254)	S19	94.6
HF325SA also HFC325NSA	45.32 (1152)	45.81 (1164)	—	22.4 (570)	23.404 (596)	7.34 (188)	10.347 (264)	—	93
HF326JA also HFC326NJA	45.32 (1152)	45.81 (1164)	—	22.4 (570)	23.404 (596)	6.97 (178)	10.05 (256)	—	98
HFC326NA	45.32 (1152)	45.81 (1164)	—	22.4 (570)	23.404 (596)	6.94 (178)	9.93 (254)	S18	99.6
HFC326NRA	45.32 (1152)	45.81 (1164)	—	22.4 (570)	23.404 (596)	6.94 (178)	9.93 (254)	S19	99.6
HF326SA also HFC326NSA	45.32 (1152)	45.81 (1164)	—	22.4 (570)	23.404 (596)	7.34 (188)	10.347 (264)	—	98
HFC327J	66.67 (1694)	67.16 (1706)	—	38.4 (976)	39.96 (1016)	9.24 (236)	14.68 (374)	—	367
HFC327N	66.67 (1694)	67.16 (1706)	—	38.4 (976)	39.96 (1016)	9.24 (236)	14.68 (374)	—	380
HFC327NR	66.67 (1694)	—	67.74 (1722)	38.4 (976)	40.25 (1024)	9.24 (236)	14.68 (374)	—	383
HFC327S	66.67 (1694)	67.16 (1706)	—	38.4 (976)	39.96 (1016)	9.24 (236)	14.68 (374)	—	367
HFC328N	66.67 (1694)	67.16 (1706)	—	38.4 (976)	39.96 (1016)	9.24 (236)	14.68 (374)	—	382
HFC328NR	66.67 (1694)	—	67.74 (1722)	38.4 (976)	40.25 (1024)	9.24 (236)	14.68 (374)	—	385
HFC361	14.26 (364)	15.45 (394)	—	6.64 (170)	9.01 (230)	5.05 (130)	10.17 (260)	S6	14
HFC361J, JW	14.27 (364)	17.33 (442)	—	6.65 (170)	9.02 (230)	5.32 (136)	10.46 (266)	—	14
HFC361N	14.26 (364)	15.45 (394)	—	6.64 (170)	9.01 (230)	5.05 (130)	10.17 (260)	S6	14
HFC361NR	14.39 (366)	—	15.77 (402)	6.64 (170)	9.01 (230)	5.05 (130)	10.17 (260)	S8	15
HFC361R	14.39 (366)	—	15.77 (402)	6.64 (170)	9.01 (230)	5.05 (130)	10.17 (260)	S8	15
HFC361S, SW	14.27 (364)	17.33 (442)	—	6.65 (170)	9.02 (230)	5.32 (136)	10.46 (266)	—	15

① Knocks not provided on Type 4/4X and 12 or on 800 & 1200A switches.

# Heavy Duty Safety Switches

Dimensions

## Safety Switch Dimensions & Shipping Weights

Catalogue Number	Height - Inches (mm)			Width - Inches (mm)		Depth - Inches (mm)		Knockout Diagram <sup>①</sup>	Shipping Weight (lbs.)
	Box A	With Door B	With Rain Shed C	Box D	With Handle E	Box F	With Handle G		
HFC362	16.26 (414)	17.46 (444)	—	9.15 (234)	11.53 (294)	5.05 (130)	10.17 (260)	S16	19
HFC362J, JW	16.27 (414)	19.31 (492)	—	9.17 (234)	11.47 (292)	5.33 (136)	10.46 (266)	—	20
HFC362N	16.26 (414)	17.46 (444)	—	9.15 (234)	11.53 (294)	5.05 (130)	10.17 (260)	S16	19
HFC362NR	16.26 (414)	—	17.77 (452)	9.16 (234)	11.53 (294)	5.05 (130)	10.17 (260)	S17	20
HFC362R	16.26 (414)	—	17.77 (452)	9.16 (234)	11.53 (294)	5.05 (130)	10.17 (260)	S17	20
HFC362S, SW	16.27 (414)	19.31 (492)	—	9.17 (234)	11.47 (292)	5.33 (136)	10.46 (266)	—	20
HFC363	21.95 (558)	23.15 (590)	—	9.64 (246)	12.01 (306)	5.05 (130)	10.17 (260)	S10	24
HFC363J, JW	21.96 (558)	23.16 (590)	—	9.65 (246)	12.02 (306)	5.34 (136)	10.46 (266)	—	25
HFC363N	21.95 (558)	23.15 (590)	—	9.64 (246)	12.01 (306)	5.05 (130)	10.17 (260)	S10	25
HFC363NR	21.95 (558)	—	23.46 (596)	9.64 (246)	11.97 (306)	5.05 (130)	10.17 (260)	S11	26
HFC363R	21.95 (558)	—	23.46 (596)	9.64 (246)	11.97 (306)	5.05 (130)	10.17 (260)	S11	25
HFC363S, SW	21.96 (558)	23.16 (590)	—	9.65 (246)	12.02 (306)	5.34 (136)	10.46 (266)	—	25
HFC364	29.9 (760)	31.07 (790)	—	14.62 (372)	16.98 (432)	6.36 (162)	12.33 (314)	S12	48
HFC364J, JW	29.96 (762)	31.07 (790)	—	14.62 (372)	16.95 (432)	6.63 (170)	12.58 (320)	—	49
HFC364N	29.9 (760)	31.07 (790)	—	14.62 (372)	16.98 (432)	6.36 (162)	12.33 (314)	S12	49
HFC364NR	29.9 (760)	—	31.42 (800)	14.61 (372)	16.99 (432)	6.36 (162)	12.33 (314)	S13	48
HFC364R	29.9 (760)	—	31.42 (800)	14.61 (372)	16.99 (432)	6.36 (162)	12.33 (314)	S13	49
HFC364S, SW	29.96 (762)	31.07 (790)	—	14.62 (372)	16.95 (432)	6.63 (170)	12.58 (320)	—	49
HF365A	45.32 (1152)	45.81 (1164)	—	22.4 (570)	23.404 (596)	6.94 (178)	9.93 (254)	S18	93
HF365JA, HF365JWA	45.32 (1152)	45.81 (1164)	—	22.4 (570)	23.404 (596)	6.97 (178)	10.05 (256)	—	93
HFC365NJA, HFC365NJWA	45.32 (1152)	45.81 (1164)	—	22.4 (570)	23.404 (596)	6.97 (178)	10.05 (256)	—	94.6
HFC365NA	45.32 (1152)	45.81 (1164)	—	22.4 (570)	23.404 (596)	6.94 (178)	9.93 (254)	S18	94.6
HFC365NRA	45.32 (1152)	45.81 (1164)	—	22.4 (570)	23.404 (596)	6.94 (178)	9.93 (254)	S19	94.6
HF365RA	45.32 (1152)	45.81 (1164)	—	22.4 (570)	23.404 (596)	6.94 (178)	9.93 (254)	S19	93
HF365SA, HF365SWA	45.32 (1152)	45.81 (1164)	—	22.4 (570)	23.404 (596)	7.34 (188)	10.347 (264)	—	93
HFC365NSA, HFC365NSWA	45.32 (1152)	45.81 (1164)	—	22.4 (570)	23.404 (596)	7.34 (188)	10.347 (264)	—	94.6
HF366A	45.32 (1152)	45.81 (1164)	—	22.4 (570)	23.404 (596)	6.94 (178)	9.93 (254)	S18	98
HF366JA, HF366JWA	45.32 (1152)	45.81 (1164)	—	22.4 (570)	23.404 (596)	6.97 (178)	10.05 (256)	—	98
HFC366NJA, HFC366NJWA	45.32 (1152)	45.81 (1164)	—	22.4 (570)	23.404 (596)	6.97 (178)	10.05 (256)	—	99.6
HFC366NA	45.32 (1152)	45.81 (1164)	—	22.4 (570)	23.404 (596)	6.94 (178)	9.93 (254)	S18	99.6
HFC366NRA	45.32 (1152)	45.81 (1164)	—	22.4 (570)	23.404 (596)	6.94 (178)	9.93 (254)	S19	99.6
HF366RA	45.32 (1152)	45.81 (1164)	—	22.4 (570)	23.404 (596)	6.94 (178)	9.93 (254)	S19	98
HF366SA, HF366SWA	45.32 (1152)	45.81 (1164)	—	22.4 (570)	23.404 (596)	7.34 (188)	10.347 (264)	—	98
HFC366NSA	45.32 (1152)	45.81 (1164)	—	38.4 (976)	23.404 (596)	7.34 (188)	10.347 (264)	—	99.6
HFC367	66.67 (1694)	67.16 (1706)	—	38.4 (976)	39.96 (1016)	9.24 (236)	14.68 (374)	—	380
HFC367J	66.67 (1694)	67.16 (1706)	—	38.4 (976)	39.96 (1016)	9.24 (236)	14.68 (374)	—	380
HFC367N	66.67 (1694)	67.16 (1706)	—	38.4 (976)	39.96 (1016)	9.24 (236)	14.68 (374)	—	382
HFC367NR	66.67 (1694)	—	67.74 (1722)	38.4 (976)	40.25 (1024)	9.24 (236)	14.68 (374)	—	386
HFC367R	66.67 (1694)	—	67.74 (1722)	38.4 (976)	40.25 (1024)	9.24 (236)	14.68 (374)	—	382
HFC367S	66.67 (1694)	67.16 (1706)	—	38.4 (976)	39.96 (1016)	9.24 (236)	14.68 (374)	—	380
HFC368, J, S	66.67 (1694)	67.16 (1706)	—	38.4 (976)	39.96 (1016)	9.24 (236)	14.68 (374)	—	383
HFC368N	66.67 (1694)	67.16 (1706)	—	38.4 (976)	39.96 (1016)	9.24 (236)	14.68 (374)	—	385
HFC368NR	66.67 (1694)	—	67.74 (1722)	38.4 (976)	40.25 (1024)	9.24 (236)	14.68 (374)	—	388
HFC368R	66.67 (1694)	—	67.74 (1722)	38.4 (976)	40.25 (1024)	9.24 (236)	14.68 (374)	—	385
HNFC361 also HNFC261	11.11 (284)	12.31 (314)	—	6.64 (170)	9.01 (230)	5.05 (130)	10.17 (260)	S7	12
HNFC361J, JW also HNFC261J	11.12 (284)	14.14 (360)	—	6.65 (170)	9.02 (230)	5.56 (142)	10.46 (266)	—	13
HNFC361R also HNFC261R	11.11 (284)	—	12.63 (322)	6.64 (170)	9.01 (230)	5.05 (130)	10.17 (260)	S9	13
HNFC361S, SW also HNFC261S	11.12 (284)	14.14 (360)	—	6.65 (170)	9.02 (230)	5.56 (142)	10.46 (266)	—	13
HNFC362 also HNFC262	16.26 (414)	17.46 (444)	—	9.15 (234)	11.53 (294)	5.05 (130)	10.17 (260)	S16	18
HNFC362J, JW also HNFC262J	16.27 (414)	17.46 (444)	—	9.17 (234)	11.47 (292)	5.33 (136)	10.46 (266)	—	19
HNFC362R also HNFC262R	16.26 (414)	—	17.77 (452)	9.16 (234)	11.53 (294)	5.05 (130)	10.17 (260)	S17	19
HNFC362S, SW also HNFC262S	16.27 (414)	17.46 (444)	—	9.17 (234)	11.47 (292)	5.33 (136)	10.46 (266)	—	19
HNFC363 also HNFC263	21.95 (558)	23.15 (590)	—	9.64 (246)	12.01 (306)	5.05 (130)	10.17 (260)	S10	23
HNFC363J, JW also HNFC263J	21.96 (558)	23.16 (590)	—	9.65 (246)	12.02 (306)	5.34 (136)	10.46 (266)	—	24
HNFC363R also HNFC263R	21.95 (558)	—	23.46 (596)	9.64 (246)	11.97 (306)	5.05 (130)	10.17 (260)	S11	24
HNFC363S, SW also HNFC263S	21.96 (558)	23.16 (590)	—	9.65 (246)	12.02 (306)	5.34 (136)	10.46 (266)	—	24
HNFC364	29.9 (760)	31.07 (790)	—	14.62 (372)	16.98 (432)	6.36 (162)	12.33 (314)	S12	46
HNFC364J, JW	31.07 (790)	—	14.62 (372)	14.62 (372)	16.95 (432)	6.63 (170)	12.58 (320)	—	47
HNFC364R	29.9 (760)	—	31.42 (800)	14.61 (372)	16.99 (432)	6.36 (162)	12.33 (314)	S13	47
HNFC364S, SW	29.96 (762)	31.07 (790)	—	14.62 (372)	16.95 (432)	6.63 (170)	12.58 (320)	—	47

① Knocks not provided on Type 4 / 4X and 12 or on 800 & 1200A switches.

# Heavy Duty Safety Switches

Dimensions

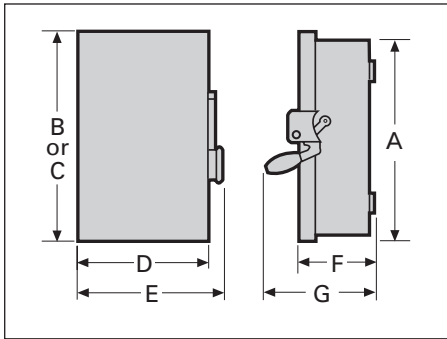
## Safety Switch Dimensions & Shipping Weights

Catalogue Number	Height - Inches (mm)			Width - Inches (mm)		Depth - Inches (mm)		Knockout Diagram <sup>®</sup>	Shipping Weight (lbs.)
	Box A	With Door B	With Rain Shed C	Box D	With Handle E	Box F	With Handle G		
<b>HNFC365A, JA</b>	45.32 (1152)	45.81 (1164)	—	22.4 (570)	23.404 (596)	6.97 (178)	10.05 (256)	—	75
<b>HNFC365JWA</b>	45.32 (1152)	45.81 (1164)	—	22.4 (570)	23.404 (596)	6.97 (178)	10.05 (256)	—	75
<b>HNFC365RA</b>	33.47 (852)	33.96 (864)	—	22.4 (570)	23.404 (596)	6.94 (178)	9.93 (254)	S19	75
<b>HNFC365SA, HNF365SWA</b>	33.47 (852)	33.96 (864)	—	22.4 (570)	23.404 (596)	7.34 (188)	10.347 (264)	—	75
<b>HNFC366A, JA</b>	45.32 (1152)	45.81 (1164)	—	22.4 (570)	23.404 (596)	6.97 (178)	10.05 (256)	—	77
<b>HNFC366RA</b>	33.47 (852)	33.96 (864)	—	22.4 (570)	23.404 (596)	6.94 (178)	9.93 (254)	S19	77
<b>HNFC366SA</b>	33.47 (852)	33.96 (864)	—	22.4 (570)	23.404 (596)	7.34 (188)	10.347 (264)	—	77
<b>HNFC367, J</b>	54.67 (1390)	55.16 (1402)	—	38.4 (976)	39.96 (1016)	9.24 (236)	14.68 (374)	—	302
<b>HNFC367R</b>	54.67 (1390)	—	55.7 (1416)	38.4 (976)	40.25 (1024)	9.24 (236)	14.68 (374)	—	304
<b>HNFC367S</b>	54.67 (1390)	55.16 (1402)	—	38.4 (976)	39.96 (1016)	9.24 (236)	14.68 (374)	—	302
<b>HNFC368, J, S</b>	54.67 (1390)	55.16 (1402)	—	38.4 (976)	39.96 (1016)	9.24 (236)	14.68 (374)	—	305
<b>HNFC368R</b>	54.67 (1390)	55.16 (1402)	—	38.4 (976)	40.25 (1024)	9.24 (236)	14.68 (374)	—	307
<b>LFC111N</b>	7.97 (204)	8.13 (208)	—	5.5 (140)	5.94 (152)	3 (78)	5.38 (138)	S2	35 (10)
<b>LFC111NR</b>	8.07 (206)	—	8.16 (208)	5.16 (132)	5.94 (152)	3.13 (80)	5.38 (138)	S3	35 (10)
<b>LFC211N</b>	7.97 (204)	8.13 (208)	—	5.5 (140)	5.94 (152)	3 (78)	5.38 (138)	S1	35 (10)
<b>LFC211NR</b>	8.07 (206)	—	8.16 (208)	5.16 (132)	5.94 (152)	3.13 (80)	5.38 (138)	S3	35 (10)
<b>LNFC222R</b>	8.07 (206)	—	8.16 (208)	5.16 (132)	5.94 (152)	3.13 (80)	5.38 (138)	S5	35 (10)

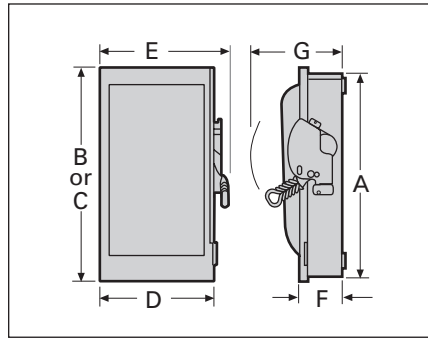
3

SAFETY SWITCHES

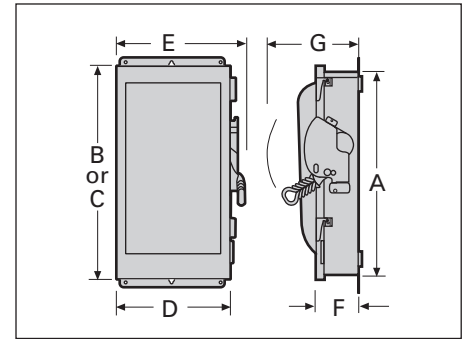
**Type 1  
30A GD**



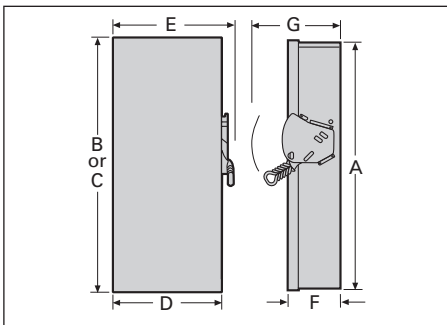
**Type 1 or 3R  
60-200A GD, 30-200A HD Type VBII**



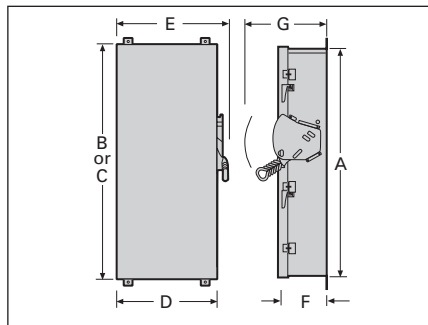
**Type 4/4X or 12  
30-200A HD Type VBII**



**Type 1 or 3R  
400-1200A Type VBII HD**



**Type 4/4X or 12  
400-1200A Type VBII HD**

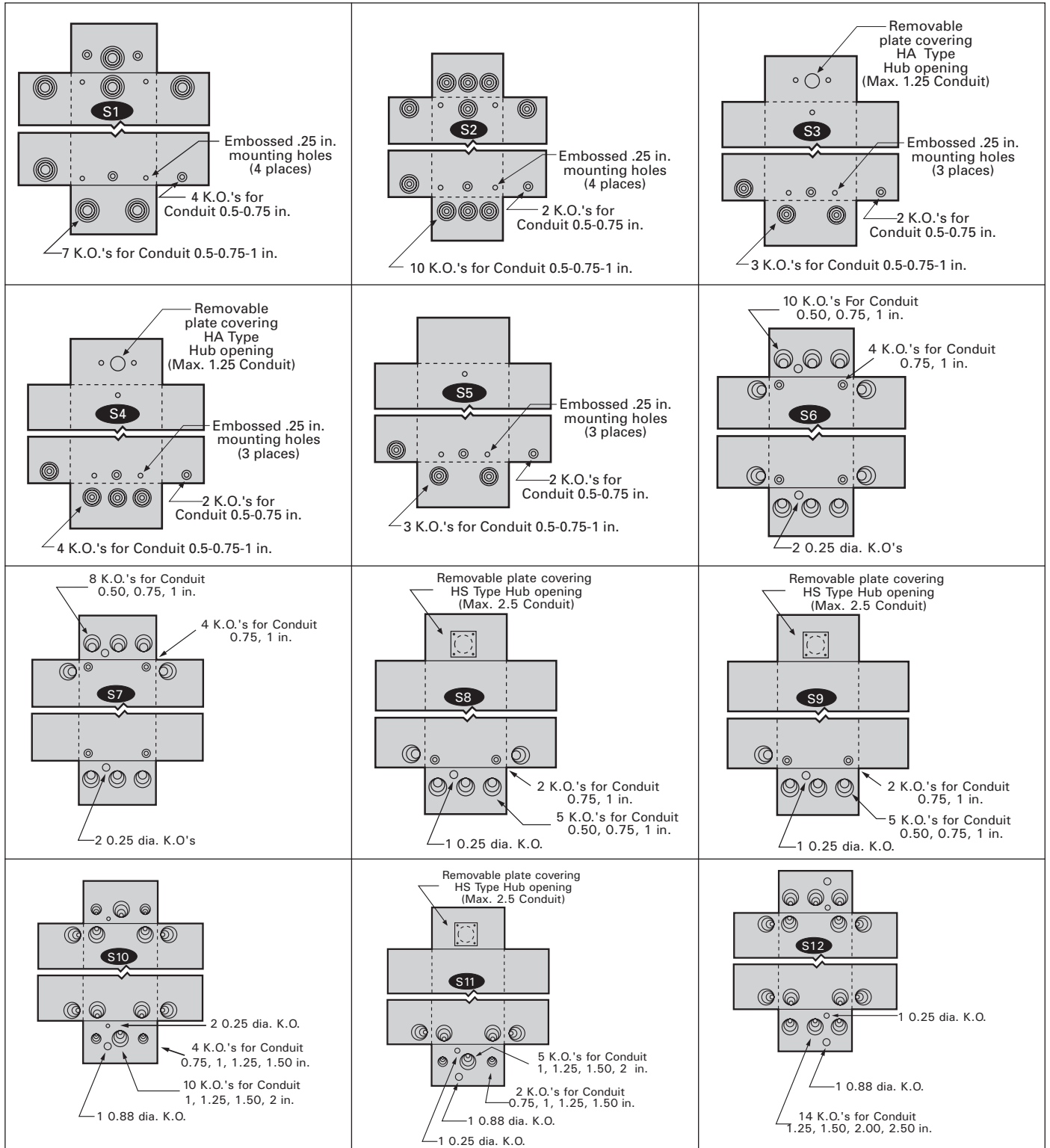


© Knocks not provided on Type 4 / 4X and 12 or on 800 & 1200A switches.

# Heavy Duty Safety Switches

## Knockout Diagrams

### Type 1 & 3R Enclosures

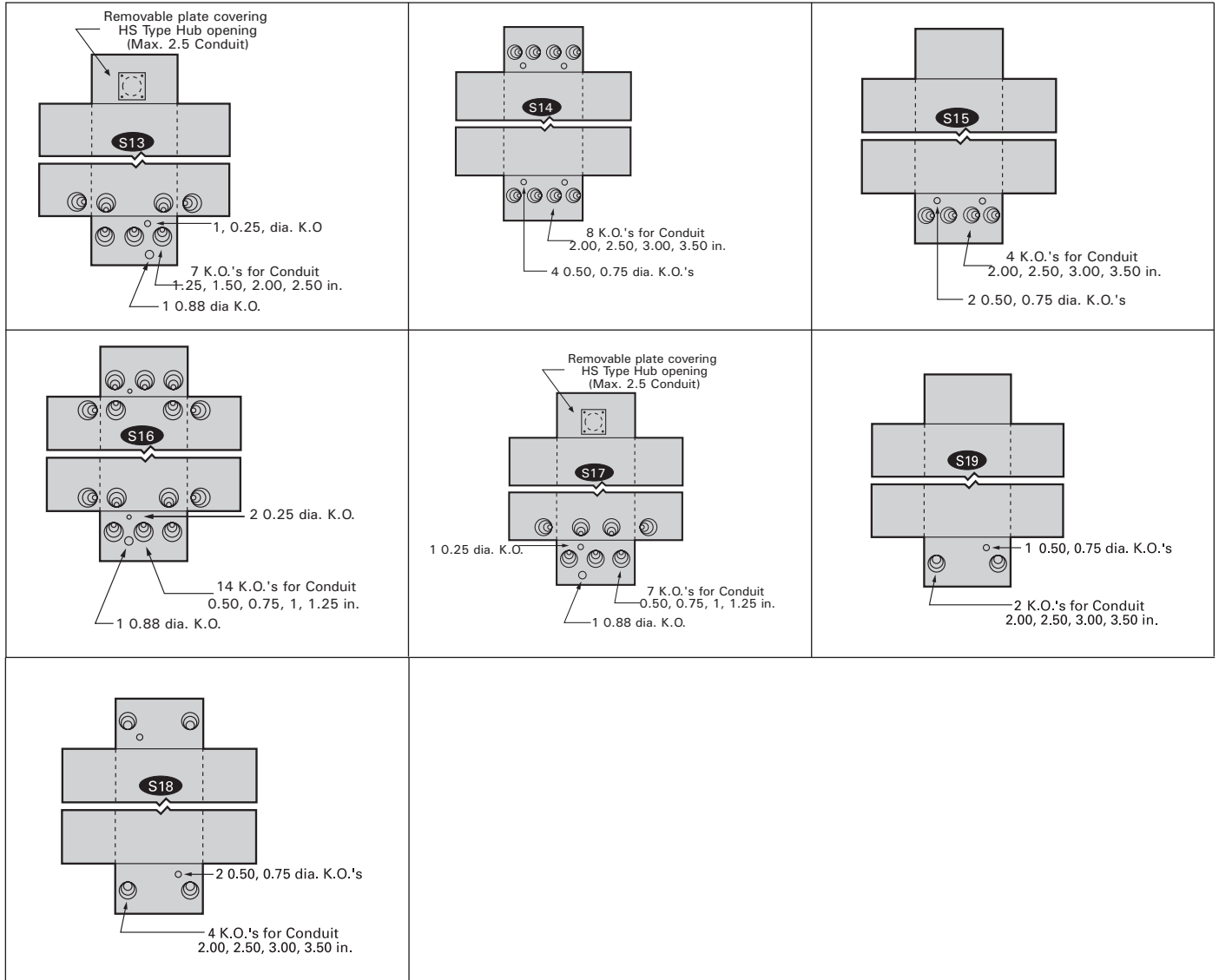


\*For inches / millimeters conversion, multiply inches by 25.4.

# Heavy Duty Safety Switches

## Knockout Diagrams

### Type 1 & 3R Enclosures



\*For inches / millimeters conversion, multiply inches by 25.4.

# Special Application Safety Switches Dimension Drawings

4-Pole & 6-Pole

Dimensions

## 4 & 6-Pole Safety Switch Dimensions

Catalogue Number	Enclosure - Inches (mm)			Mounting - Inches (mm)		
	A	B	C	D	E	F

**Figure 1, 4-Pole Fusible and Non-fusible, Type 1**

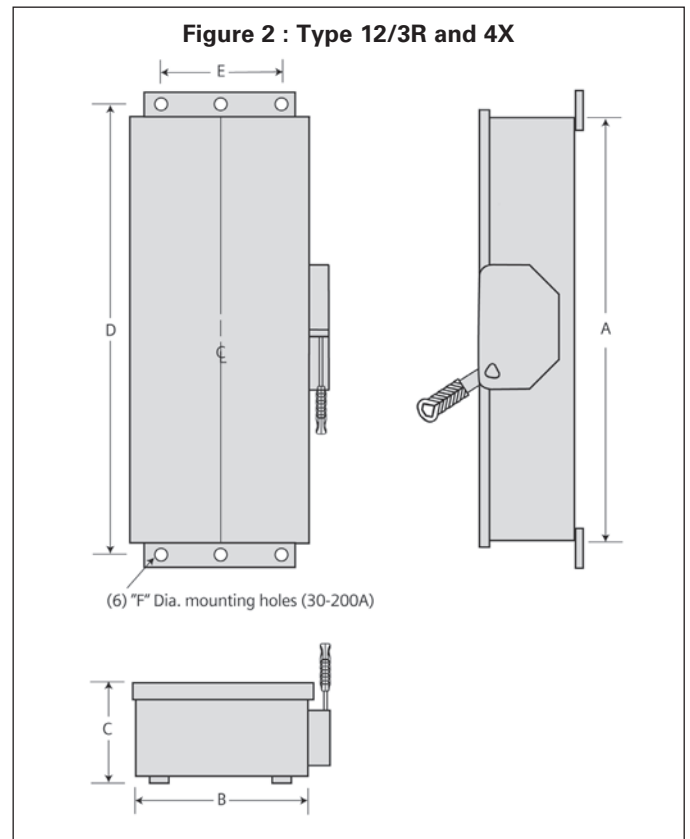
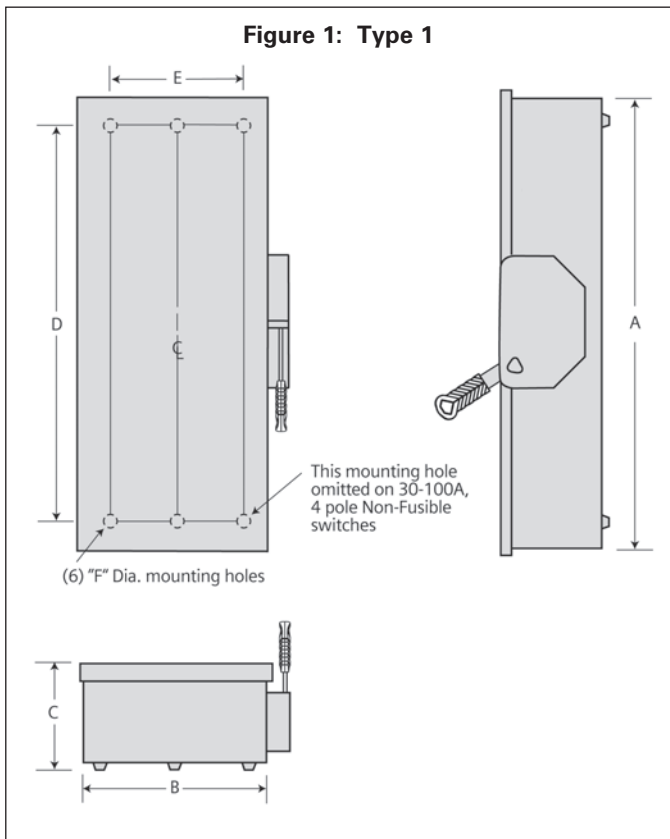
HNF461	24.50 (622)	9.53 (242)	6.09 (155)	19.00 (483)	6.75 (171)	0.268 (7)
HF461	29.12 (740)	9.53 (242)	6.09 (155)	23.50 (597)	6.75 (171)	0.268 (7)
HNF462	24.88 (632)	11.50 (292)	6.09 (155)	19.00 (483)	9.38 (238)	0.268 (7)
HF462	33.53 (852)	11.50 (292)	6.09 (155)	27.50 (699)	9.38 (238)	0.268 (7)
HNF463	27.62 (702)	12.18 (309)	6.09 (155)	19.36 (492)	8.00 (203)	0.268 (7)
HF463	36.44 (926)	12.18 (309)	6.09 (155)	28.11 (714)	8.00 (203)	0.268 (7)
HNF464	36.00 (914)	19.12 (486)	6.42 (163)	30.88 (784)	15.00 (381)	0.44 (11)
HF464	49.48 (1257)	19.12 (486)	6.42 (163)	45.50 (1130)	15.00 (381)	0.44 (11)

**Figure 2, 4 & 6-Pole Fusible Type 12/3R and 4X**

HF461J, HF661J, HF661S	29.50 (622)	9.53 (242)	6.48 (165)	31.65 (804)	5.47 (139)	0.27 (7)
HF462J, HF662J, HF662S	33.53 (852)	11.50 (292)	6.48 (165)	35.69 (907)	8.00 (203)	0.27 (7)
HF463J, HF663J, HF663S	36.44 (926)	12.18 (309)	6.48 (165)	38.67 (982)	8.47 (215)	0.27 (7)
HF464J, HF664J, HF664S	49.48 (1257)	19.12 (486)	6.78 (172)	51.64 (1312)	13.44 (341)	0.33 (8)

**Figure 2, 4 & 6-Pole Non-fusible Type 12/3R and 4X**

HNF461J, HNF661J, HNF661S	24.50 (622)	9.53 (242)	6.48 (165)	26.65 (667)	5.47 (139)	0.27 (7)
HNF462J, HNF662J, HNF662S	24.88 (632)	11.50 (292)	6.48 (165)	27.03 (687)	8.00 (203)	0.27 (7)
HNF463J, HNF663J, HNF663S	27.54 (700)	12.18 (309)	6.48 (165)	29.77 (756)	8.47 (215)	0.27 (7)
HNF464J, HNF664J, HNF664S	36.00 (914)	19.12 (486)	6.78 (172)	38.16 (969)	13.44 (341)	0.33 (8)





# Special Application Safety Switches Dimension Drawings

Selection

## Double Throw

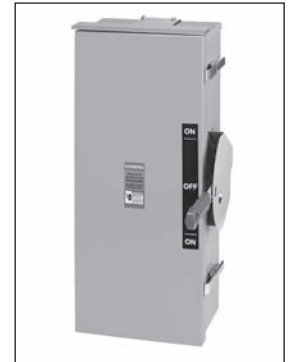
### Description

Double throw switches are intended to transfer loads from one power source to another. All 2 & 3-pole double throw switches are CSA certified and both horsepower and load break rated. Switches are rated for use on systems up to 10,000A when protected with Class H fuses or 200,000A when protected with Class R or Class T fuses<sup>②</sup>. They can also be used to connect a single source of power to either of two loads. In this application it is necessary to field modify fusible switches so that the fuses are on the load side of the switching mechanism.

A cover interlock is provided on all ampere ratings. The operating handle may be padlocked in the off position.

### Fuse Capabilities of Fusible DT Switches

Amp Rating	Fuse Type			
	H	R	T	J
30 & 60A, 240V	Std	Yes (kit)	No	No
30 & 60A, 600V	Std	Yes (kit)	No	Yes <sup>③</sup>
100 & 200A	Std	Yes (kit)	Yes (kit)	Yes <sup>③</sup>



### Double Throw Switches

System	Voltage	Number of Poles	Amps	Type 1 – Indoor
				Catalogue Number

### Heavy Duty Fusible (30-200A) with Class H fuse spacings – Less Neutral<sup>②</sup>

	240 Volt AC or 250 Volt DC	3	30 60 100 200	DTFC321 DTFC322 DTFC323 DTFC324
	600 Volt AC, 250 Volt DC		3	30 60 100 200

System	Voltage	Number of Poles	Amps	Type 1 – Indoor	Type 3R – Outdoor <sup>①</sup>	
				Catalogue Number	Catalogue Number	Hub Type <sup>①</sup>

### Heavy Duty Non-Fusible – Less Neutral<sup>②</sup>

	240 Volt AC or 250 Volt DC	2	30 60 100 200 400	DTNFC221 DTNFC222 DTNFC323 DTNFC224 DTNFC225	— — — — DTNFC225R	*
			3	30 60 100 200 400 600	DTNFC321 DTNFC322 DTNFC323 DTNFC324 DTNFC325 DTNFC326	— — DTNFC323R DTNFC324R — —
	600 Volt AC, or 250 Volt DC	3		30 60 100 200 400 600	DTNFC361 DTNFC362 DTNFC363 DTNFC364 DTNFC365 DTNFC366	DTNFC361R DTNFC362R DTNFC363R DTNFC364R DTNFC365R DTNFC366R

① Hub catalogue number available p. 3-36

② All Heavy Duty double throw switches with a catalogue number starting with "DT" are rated 200,000 AIC max. when protected by Class R, J or T fuses. Fuse ampere rating must not exceed switch ampere rating.

③ Move load base.

\* Consult Siemens representative, 400A and larger Switches do not have hub provisions.

# Safety Switches

## Double Throw

Selection

### Accessories, Lug Data and Horsepower Ratings

#### Accessories – 2 and 3-Pole Switches Type “DT” Only<sup>①</sup>

Description		Catalogue Number
Neutral Kits	30 60 & 100A 200A 400 & 600A	HNC612 HNC263 HNC264 HNC678
Equipment Ground Kit	30-200A (2) #14-4 AWG 400 & 600A (4) #14-2/0	HG61234 HG656
Auxiliary Contacts (HD Only) (two required per switch) <sup>②</sup>	30-200A with (1) NO & (1) NC contact 30-200A with (2) NO & (2) NC contact 400-600A with (1) NO & (1) NC contact 400-600A with (2) NO & (2) NC contact	HA161234 HA261234 HA165678 HA265678
Class R Fuse Clip Kits (two required per switch)	30A, 240V Kit 30A, 600V Kit and 60A, 240V Kit 60A, 600V Kit 100A Kit 200A Kit	HR21 HR612 HR62 HR63 HR64
Class T Fuse Adapter Kits (two required per pole)	100A, 240V Kit 100A, 600V Kit 200A, 240V Kit 200A, 600V Kit	HT23 HT63 HT24 HT64
Type 3R Hubs (20-200A)	For 3/4" Conduit For 1" Conduit For 1 1/4" Conduit For 1 1/2" Conduit For 2" Conduit For 2 1/2" Conduit	ECHS075 ECHS100 ECHS125 ECHS150 ECHS200 ECHS250

#### Wire Ranges (Line, Load and Neutral) per CEC Requirements

##### 30-200A – 2 & 3-Pole Switches

Switch Ampere Rating	Wire Range (Cu/Al) DT VBII Design Line, Load and Neutral
30	(1) #14-6
60	(1) #14-2
100	(1) #14-1/0 AWG
200	(1) #6-250 kcmil

##### 400-600A – 2 & 3-Pole Switches

Switch Ampere Rating	Wire Range (Cu/Al) DT VBII Design Line, Load and Neutral
400	(1) 1/0 AWG-750 kcmil or (2) 1/0 AWG-250 kcmil
600	(2) 1/0 AWG-500 kcmil

#### Maximum Horsepower Ratings Fused

Ampere Rating	1-Phase AC		3-Phase AC		250V DC
	240V	240V	480V	600V	
30	3	7 <sup>1/2</sup>	15	20	5
60	10	15	30	50	10
100	15	30	60	75	20
200	15	60	125	150	40

#### Non-Fused

30	5	10	20	30	5
60	10	20	50	60	10
100	15	40	75	100	20
200	15	60	125	150	40
400-600	—	125	250	350	50

#### Replacement Parts – 2 and 3-Pole Switches Only<sup>①</sup>

Description		Catalogue Number
Type 1, 3R Replacement Handle	30-200A	HHD61234
Replacement Handle	400-600A	HHD656

<sup>①</sup> For “DT” VBII Type switches only.

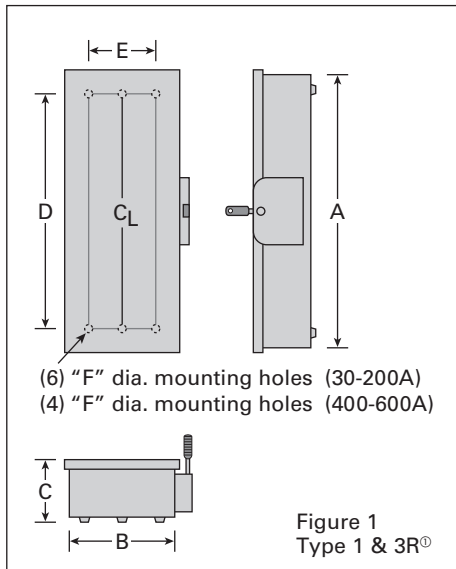
<sup>②</sup> One aux. required for normal and one required for emergency switch line base.

# Safety Switches

Dimensions

## VBII Design Double Throw Dimensions

Catalogue Number	Enclosure dimensions - Inches (mm)					
	A	B	C	D	E	F
<b>Figure 1 (30-600A Type 1 &amp; 3R)</b>						
DTNFC221, DTNFC321, DTNFC361, DTNFC361R	24.50 (622)	9.53 (242)	6.09 (155)	19.00 (483)	6.75 (171)	0.268 (7)
DTFC321, DTFC321R, DTFC361	29.12 (740)	9.53 (242)	6.09 (155)	23.50 (597)	6.75 (171)	0.268 (7)
DTNFC222, DTNFC322, DTNFC362, DTNFC362R	24.88 (632)	11.50 (292)	6.09 (155)	19.00 (483)	9.38 (238)	0.268 (7)
DTFC322, DTFC362	33.45 (852)	11.50 (292)	6.09 (155)	27.50 (699)	9.38 (238)	0.268 (7)
DTNFC223, DTNFC323, DTNFC323R, DTNFC363, DTNFC363R	27.62 (702)	12.18 (309)	6.09 (155)	19.36 (492)	8.00 (203)	0.268 (7)
DTFC323, DTFC363	36.44 (926)	12.18 (309)	6.09 (155)	28.11 (714)	8.00 (203)	0.268 (7)
DTNFC224, DTNFC224R, DTNFC324, DTNFC324R, DTNFC364, DTNFC364R	36.00 (914)	19.12 (486)	6.42 (163)	31.00 (787)	15.00 (381)	0.44 (11)
DTFC324, DTFC364	49.44 (1256)	19.12 (486)	6.42 (163)	44.50 (1130)	15.00 (381)	0.44 (11)
DTNFC225, DTNFC225R, DTNFC325, DTNFC365, DTNFC365R	57.71 (1466)	28.22 (717)	9.44 (240)	49.75 (1264)	16.00 (406)	0.56 (14)
DTNFC326, DTNFC366, DTNFC366R	57.71 (1466)	28.22 (717)	9.44 (240)	49.75 (1264)	16.00 (406)	0.56 (14)



Ⓞ Drip hood not shown but provided on Type 3R enclosures.

# Enclosed Switches

## Rotary Disconnect Switches in Non-Metallic Enclosures<sup>⑤</sup>

Selection

### Description

16–125A non-fusible switches are available in fiberglass reinforced polycarbonate enclosures which are CSA certified as Type 12 & 4X and for either indoor or outdoor use. All are horsepower and load break rated. All are panel mounted and are either supplied with factory installed aux. contacts or will accept contact kits. All are compact in size while providing ample wiring space for copper line & load conductors.



### Siemens Enclosed Rotary Disconnect Switches

- 16–125A, Non-Fusible
- 600VAC max. rated
- Available in both Type 12 and 4X non-metallic enclosures
- Both screw and hinged cover designs available
- Listed and marked “suitable for use as motor disconnect” per NEC Section 430-109
- Screw cover switches are UL listed under File No. E47705 and are CSA certified under File No. 203576
- IEC 60947-3 rated and CE marked (enclosures are IP65 rated)
- HP rated
- Hinged door switches are UL & cUL listed for multiple line and load conductors per phase in 30–100A ratings. They are UL & cUL listed under File No. E191706
- Rotary handles are available in black, red, and yellow and in pistol grip designs
- 16–63A screw cover switches have factory installed ground bars. All hinge cover switches accept ground lug kits
- Screw cover switches are provided with knockouts
- Padlockable in OFF position with up to (3) padlocks

Ampere Rating	Catalog Number		Shipping Weight <sup>①</sup>	Horsepower Ratings			
	3 Pole, 3 Wire	3 Pole, 3 Wire with (1) NO & (1) NC Aux. Contact <sup>②③</sup>		240V AC		480V AC	600V AC
				1 Phase	3 Phase	3 Phase	3 Phase

#### Non-Fusible, Type 1, 4X & 12K<sup>②</sup> with Screw Cover and Black Rotary Handle 600V AC Max.<sup>⑤</sup>

16	3LD2064-0TB51-0US2	3LD2064-1GP51-0US2	1	1½	3	7½	10
25	3LD2164-0TB51-0US2	3LD2164-1GP51-0US2	1	3	7½	10	15
30	3LD2264-0TB51-0US2	3LD2264-1GP51-0US2	1	3	7½	15	20
30	—	3LD2264-1TS51-0US2 <sup>④▲</sup>	1	3	7½	15	20
30	—	3LD2264-2TW51-0US2 <sup>⑦▲</sup>	1	3	7½	15	20
63	3LD2565-0TB51-0US2	3LD2565-1GP51-0US2▲	3	10	15	40	50
100	3LD2766-0TB51-0US2	3LD2766-1GP51-0US2▲	6	—	30	60	75
125	3LD2866-0TB51-0US2	3LD2866-1GP51-0US2▲	6	—	40	75	100

#### Non-Fusible, Type 1, 4X & 12K<sup>②</sup> with Screw Cover and Red and Yellow Rotary Handle 600V AC Max.<sup>⑤</sup>

16	3LD2064-0TB53-0US2	3LD2064-1GP53-0US2	1	1½	3	7½	10
25	3LD2164-0TB53-0US2	3LD2164-1GP53-0US2	1	3	7½	10	15
30	3LD2264-0TB53-0US2	3LD2264-1GP53-0US2	1	3	7½	15	20
30	—	3LD2264-1TS53-0US2 <sup>④▲</sup>	1	3	7½	15	20
30	—	3LD2264-2TW53-0US2 <sup>⑦▲</sup>	1	3	7½	15	20
63	3LD2565-0TB53-0US2	3LD2565-1GP53-0US2▲	3	10	15	40	50
100	3LD2766-0TB53-0US2▲	3LD2766-1GP53-0US2▲	6	—	30	60	75
125	3LD2866-0TB53-0US2▲	3LD2866-1GP53-0US2▲	6	—	40	75	100

▲ Built to order. Allow 6–8 weeks for delivery.

① Carton quantity of (1). Shipping weight in pounds (lbs.).

② Approved for indoor/outdoor use. No cover interlock provided.

③ 30 and 60A switches are also rated 600V AC.

④ Also rated as Type 12 and CSA certified for both indoor and outdoor use. Defeatable cover interlock provided.

⑤ Screw cover enclosures are constructed from Makrolon 9425.

Hinged cover enclosures are constructed from fiberglass reinforced polycarbonate.

⑥ Switch is supplied with (2) NO and no NC aux. contacts.

⑦ Switch is supplied with (4) NO and no NC aux. contacts. Ground bar is not provided or available.

⑧ Aux. contacts break about 3 Ms before and make about 3 Ms after main switch contacts.

⑨ 6P, 25A, switch with 1 NO & 1 NC aux. contacts and a black operating handle is also available. Order catalog number 3LD2165-4VD51 (Discount Code: Pilot Devices).

# Enclosed Switches

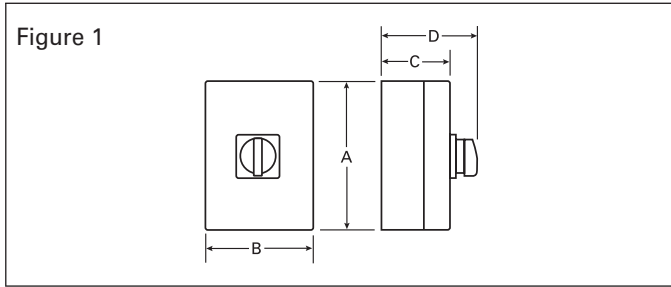
## Rotary Disconnect Switches

Selection

### Enclosed Disconnect Switch Dimensions (Inches)\*

Catalog Number	Ampere Rating	Fig. No.	Dimensions			
			A	B	C	D
3LD2064-	16	1	5.52 <sup>④</sup>	3.94	3.19	4.57
3LD2164-	25		5.52 <sup>④</sup>	3.94	3.19	4.57
3LD2264-	30		5.52 <sup>④</sup>	3.94	3.19	4.57
3LD2565-	63		6.93 <sup>⑤</sup>	5.75	4.10	5.87
3LD2766-	100		11.90	8.35	5.36	7.13
3LD2866-	125		11.90	8.35	5.36	7.13

Note: 3LD2 Type switches only have top and bottom end KOs as follows:  
16-30A - 1/2" & 3/4", 63A - 3/4" & 1", 100 & 25A - 1" & 1 1/4"



### UL and cUL Short Circuit Withstand Ratings

Ampere Rating	Short Circuit Withstand Rating and Fuse Class				
	With Line Side Fusing			With Load Side Fusing <sup>①</sup>	
	5 kA at 600V Max	10 kA at 600V Max	18 kA at 480V Max	5 kA at 480V Max	18 kA at 480V Max
16	RK5 (50A Max)	—	—	—	—
25 & 30	RK5 (80A Max)	—	—	—	—
63	RK5 (175A Max)	—	—	—	—
100 & 125	—	RK5 (200A Max)	—	—	—

### 3LD2 Type Switches<sup>②</sup>

16	RK5 (50A Max)	—	—	—	—
25 & 30	RK5 (80A Max)	—	—	—	—
63	RK5 (175A Max)	—	—	—	—
100 & 125	—	RK5 (200A Max)	—	—	—

### HNF Type Switches

30	—	H, K & RK5 (100A Max)	J, T & CC (100A Max)	H, K & RK5 (30A Max)	Ferraz Shawmut A50P or lower let-through semiconductor fuses (60A Max)
60	—	H, K & RK5 (150A Max)		H, K & RK5 (60A Max)	Ferraz Shawmut A50P or lower let-through semiconductor fuses (100A Max)
100	⑥	⑥			

- ① For use as supplemental protection on the load side of the branch circuit over current protective device.
- ② Ground lug kit has two lugs for #14-4 Cu/Al wire.
- ③ Factory installed ground lugs supplied as follows: 16-30A #14-10 Cu, 63A #14-8 Cu. Ground lug not provided and is not available on catalog numbers 3LD2264-2TW51-0US2 and 3LD2264-2TW53-0US2.
- ④ 6.38 inches high including mounting feet.
- ⑤ 7.85 inches high including mounting feet.
- ⑥ 60 & 100A HNF switches are rated 10kA at 480V max. with line side Class H, K & RK5 150A max. fuses.
- ⑦ Wire range (1) #14-2 AWG 60/75 °C Cu only.
- ⑧ 16-63A 3LD switches are also rated 5kA at 600VAC max when protected by a 3RV type MSP of the same or lesser ampere rating.

\*For inches / millimeters conversion, multiply inches by 25.4.

### Wire ranges 60/75°C Cu Only

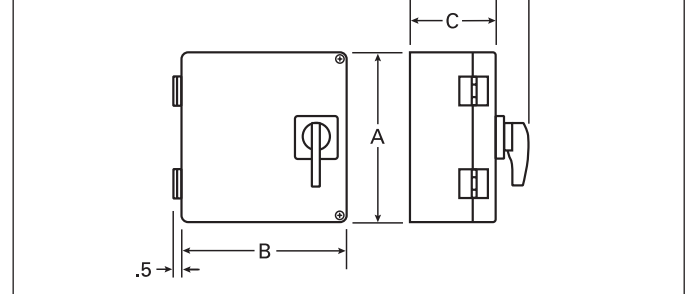
#### 3LD2 Type Switches<sup>③</sup>

16 Amps	(1) #18-10 AWG
25-30 Amps	(1) #14-10 AWG
63 Amps	(1) #14-6 AWG
100-125 Amps	(1) #12-1 AWG

#### HNF Type Switches

30 Amps	(1) #14-#10 AWG Solid (1) #14-#4 AWG Stranded Up to (4) #12 AWG Solid Up to (3) #12 AWG Stranded Up to (6) #14 AWG Stranded Up to (4) #14 AWG Stranded with (1) #10 AWG Stranded
60 & 100 Amps	(1) #14-#10 AWG Solid (1) #14-#1 AWG Stranded (2) #6 AWG Stranded Up to (3) #8 AWG Stranded Up to (6) #10 AWG Stranded Up to (6) #12 AWG Solid

Figure 2



### IEC Fuse and Withstand Ratings

Ampere Rating	gG Fuse Size	Short Circuit Rating
---------------	--------------	----------------------

#### 3LD2 Screw Cover Switches

16	20A	5k Arms
25	25A	10k Arms
32	50A	10k Arms
63	63A	15k Arms
100	100A	20k Arms
125	125A	20k Arms

#### HNF Hinged Cover Switches

30	63A	10k Arms
60	100A	10k Arms
100	100A	10k Arms

### Accessories

Switch Ampere Rating	Catalog Number	Description
----------------------	----------------	-------------

#### 3LD2 Type Switches<sup>③</sup>

16-30A	3LD9220-2C	Neutral Kit
63A	3LD9250-2CA	Neutral Kit
100-125A	3LD9280-2C	Neutral Kit

#### HNF Type Switches

30-100A	GSGK60	Ground Lug Kit <sup>②</sup>
30A	LBRA1	Auxiliary Contact Kit (1 NO-1 NC)
60-100A	LBRA2	Auxiliary Contact Kit (1 NO-1 NC)
30-100A	HF63CX <sup>⑦</sup>	Neutral Kit

## Contents

### Compact Non-Fusible Switches

Rotary and Toggle Switch—Selection	4-2 – 4-3
Dimensions and Wire Ranges	4-4

### Type VBII (30-600A)

Features and Ordering Information	4-5
Switch and Handle Selection	4-6
Accessories	4-7 – 4-8
Dimensions and Lug Wire Ranges	4-9

### Type MCS (30-200A)

Switches, Fuse, and No Fuse Kit—Selection	4-10
Handle Operators and Accessories	4-11
Dimensional Data for Fused Applications	4-12 – 4-13
Fixed Depth Handle Operator Dimensions	4-14

### Type CFS Compact Fusible Switches

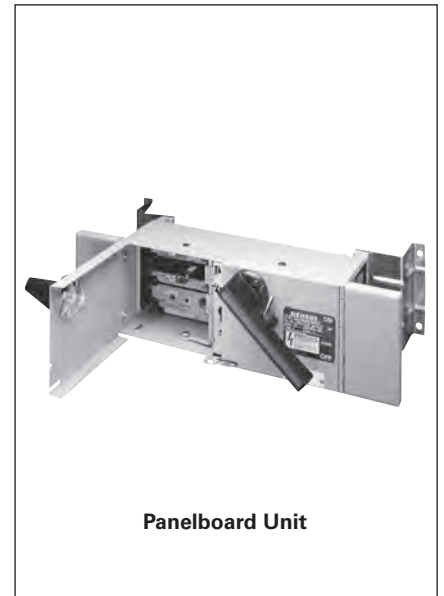
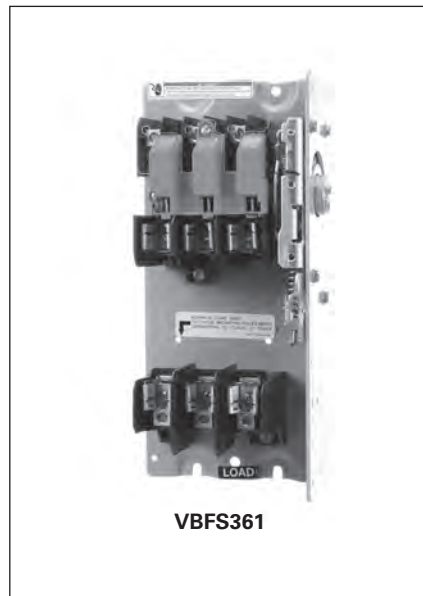
Features and Ordering Information	4-15
Switch and Handle—Selection	4-16
Accessories & 600-800 Handle Selection	4-17
Dimensions and Technical Characteristics	4-18

### Type CNFS Compact Non-Fusible Switches

General information and catalog numbering system	4-19
General Features and ordering information	4-20
Switch, shaft and handle selection	4-21
Additional accessories	4-22

### Type HCP Switchboard Units

Selection/Accessories	4-23
Dimensions	4-24



# Disconnect Switches

## Compact Non-Fusible — Rotary and Toggle

Selection

### Features

- 16–250 Ampere, to 100 hp, 480V & 600V
- Rotary and Toggle actuation models
- 3LD2 Type switches are padlockable in the OFF position and are UL listed under File No. E47705 per UL508 and are CSA certified under File No. 203576
- Base, DIN-rail and door mounting
- IEC 947-1 rated, CE marked
- Listed and marked “suitable as motor disconnect” per NEC Section 430-109

### Application

Siemens Load Break Switches are listed as manual motor controllers and are suitable as motor disconnects. They are load break rated and act as enclosure disconnects when short circuit protection is provided upstream of the switch. If upstream over current protection is not provided, use a Siemens fusible Type VBII, CFS or MCS Disconnect Switch.

### Ordering Information

**Door Mounted Switches (Rotary Type Only)** – Order either complete “3LD2” assemblies.

Complete Assemblies include switch, handle, and shaft. Certain 25 and 32A assemblies are also available with factory installed neutral blocks and/or aux. contacts. These accessories can also be ordered as field installed kits.

### Door Mounted Complete Assemblies (Operator, Shaft, & Switch) 600V AC Max. ②

Shaft Mounted	4 Hole Mounted	Number of Poles	Ampere Rating	AC Horsepower Ratings				
				120V	240V	480V	600V	
—	3LD2003-1TP53 <sup>①</sup>	3	16	1Ø	1Ø	3Ø	3Ø	3Ø
—	—	3	16	1/2	1 1/2	3	7 1/2	10
3LD2154-0TK 3LD2154-1TP 3LD2154-1TL 3LD2154-2EP	3LD2103-0TK 3LD2103-1TP 3LD2103-1TL 3LD2103-2EP	3 3 <sup>①</sup> 3 + N 3 + N <sup>①</sup>	25	2	3	7 1/2	10	15
3LD2254-0TK 3LD2254-1TL	3LD2203-0TK 3LD2203-1TL	3 3 + N	32	2	3	10	20	20
3LD2555-0TK	3LD2504-0TK 3LD2704-0TK 3LD2804-0TK	3 3 3	63 100 125	— — —	10 — —	15 30 40	40 60 75	50 75 100

### 3LD Type Base Mounted Complete Assemblies (Operator, Shaft, & Switch) 600V AC Max. ⑤

Handle Mounting			Number of Poles	Ampere Rating	AC Horsepower Ratings				
Shaft (center hole)	4 Hole (no defeat)	4 Hole (with defeat)			120V	240V	480V	600V	
—	—	—	—	—	1Ø	1Ø	3Ø	3Ø	3Ø
—	3LD2013-0TK5	3LD2017-0TK1 3LD2017-1TL1	3 3 + N	16	1/2	1 1/2	3	7 1/2	10
3LD2144-0TK5 3LD2144-1TL5	3LD2113-0TK5 3LD2113-1TL5	— —	3 3 + N	25	2	3	7 1/2	10	15
3LD2244-0TK5 3LD2244-1TL53	3LD2213-0TK5 3LD2213-1TL53	3LD2217-0TK1 3LD2217-1TL1	3 3 + N	32	2	3	10	20	20
3LD2545-0TK5	3LD2514-0TK5	3LD2517-0TK1 3LD2517-1TL1	3 3 + N	63	3	10	15	40	50
—	3LD2714-0TK5	—	3	100	—	—	30	60	75
—	3LD2814-0TK5	—	3	125	—	—	40	75	100
—	3LD2318-0TK1	—	3	160	—	—	40	75	75
—	3LD2418-0TK1	—	3	250	—	—	50	100	75



### Short Circuit Withstand Ratings

Switch Rating & Type	Max. Line Side Fuse Rating
5kA with Line Side Class H, K, or RK5 Fuses	
25 & 32A 3LD2	80A Max. at 600V AC Max.
63A 3LD2	175A Max. at 600V AC Max.

Note: 3LD2 switches are also rated 5kA at 600V AC Max. when protected by a 3RV motor starter with a FLA rating equal to or less than the switch ampere rating.



① Includes auxiliary contacts (1 NO and 1 NC).

② Handles are IP65 rated and are also CSA certified for Type 1, 4X and 12 applications.

③ Add 51 for a black handle or 53 for a red & yellow handle to the end of the catalog number.

④ 100-250A 3LD2 switches are rated 10kA when protected by 200A Max. Class RK5 fuses.

⑤ Add suffix 1 for a black or 3 for a red & yellow handle to the catalog number (except 3LD2244-1TL53 & 3LD2213-1TL53). Handles are IP65 rated and are also CSA certified for Type 1, 4X and 12 applications.



# Disconnect Switches

## Compact Non-Fusible — Rotary and Toggle

Selection

### Accessories for Front Mounted 3LD2 Switches

Catalogue Number	Description	Switches used with
3LD9200-5B <sup>③</sup>	1 NO, 1 NC Aux. Contact	25-125A
3LD9200-5BF <sup>③</sup>	1 NO, 1 NC Aux. with Gold Plated Contacts	25-125A
3LD9220-2B	Neutral/Ground Terminal	25 & 32A
3LD9250-2BA	Neutral/Ground Terminal	63A
3LD9280-2B	Neutral/Ground Terminal	100 & 125A
3LD9220-0B	4th Pole (leading ON, lagging OFF)	25 & 32A
3LD9250-0BA	4th Pole (leading ON, lagging OFF)	63A
3LD9280-0B	4th Pole (leading ON, lagging OFF)	100 & 125A
3LD9224-1B <sup>①</sup>	Black Handle (4 hole mtg.)	25 & 32A
3LD9284-1B <sup>①</sup>	Black Handle (4 hole mtg.)	63-125A
3LD9224-3B <sup>①</sup>	Red/Yellow Handle (4 hole mtg.)	25 & 32A
3LD9284-3B <sup>①</sup>	Red/Yellow Handle (4 hole mtg.)	63-125A
3LD9224-1D <sup>①</sup>	Black Handle (shaft mtg.) <sup>②</sup>	25 & 32A
3LD9284-1D <sup>①</sup>	Black Handle (shaft mtg.) <sup>②</sup>	63-125A
3LD9224-3D <sup>①</sup>	Red/Yellow Handle (shaft mtg.) <sup>②</sup>	25 & 32A
3LD9284-3D <sup>①</sup>	Red/Yellow Handle (shaft mtg.) <sup>②</sup>	63-125A
3LD9221-2A <sup>①</sup>	Terminal Cover 1P (Pack of 4)	25 & 32A
3LD9221-0A <sup>①</sup>	Terminal Cover 3P (Pack of 4)	25 & 32A
3LD9251-0A <sup>①</sup>	Terminal Cover 3P (Pack of 4)	63A

### Accessories for Base Mounted 3LD2 Switches

3LD9200-5C <sup>③</sup>	1 NO, 1 NC Aux. Contact	25-250A
3LD9200-5CF <sup>③</sup>	1 NO, 1 NC Aux. with Gold Plated Contacts	25-250A
3LD9220-2C	Neutral/Ground Terminal	25 & 32A
3LD9250-2CA	Neutral/Ground Terminal	63A
3LD9280-2C	Neutral/Ground Terminal	100 & 125A
3LD9240-2C	Neutral/Ground Terminal	160 & 250A
3LD9220-0C	4th Pole (leading ON, lagging OFF)	25 & 32A
3LD9250-0CA	4th Pole (leading ON, lagging OFF)	63A
3LD9280-0C	4th Pole (leading ON, lagging OFF)	100 & 125A
3LD9240-0C	4th Pole (leading ON, lagging OFF)	160 & 250A
3LD9224-1B <sup>①</sup>	Black Handle (4 hole mtg. no defeat)	25 & 32A
3LD9284-1B <sup>①</sup>	Black Handle (4 hole mtg. no defeat)	63-125A
3LD9224-3B <sup>①</sup>	Red/Yellow Handle (4 hole mtg. no defeat)	25 & 32A
3LD9284-3B <sup>①</sup>	Red/Yellow Handle (4 hole mtg. no defeat)	63-125A
3LD9224-1D <sup>①</sup>	Black Handle (shaft mtg.)	25 & 32A
3LD9284-1D <sup>①</sup>	Black Handle (shaft mtg.)	63-125A
3LD9224-3D <sup>①</sup>	Red/Yellow Handle (shaft mtg.)	25 & 32A
3LD9284-3D <sup>①</sup>	Red/Yellow Handle (shaft mtg.)	63-125A
3LD9221-2A <sup>①</sup>	Terminal Cover 1P (Pack of 4)	25 & 32A
3LD9221-0A <sup>①</sup>	Terminal Cover 3P (Pack of 4)	25 & 32A
3LD9251-0A <sup>①</sup>	Terminal Cover 3P (Pack of 4)	63A



3LD9220-2C



3LD9251-0A

**Note:** 3LD2 shaft lengths allow the following maximum enclosure depths from the switch mounting surface to the outside of the cover:

16-32A, 15.25"  
63-125A, 15.75"  
160 & 250A, 23.70"

<sup>①</sup> Handles and line side terminal covers are supplied as standard with 3LD2 switches.

<sup>②</sup> Add suffix 1 for a black or 3 for a red & yellow handle to the catalog number (except 3LD2244-1TL53 & 3LD2213-1TL53). Handles are IP65 rated and are also CSA certified for Type 1, 4X and 12 applications.

<sup>③</sup> Aux. contacts break about 30 Ms before and make about 3 Ms after main switch contacts.

Ratings	10A	at 120V AC
	6A	at 240V AC
	1.4A	at 480V AC

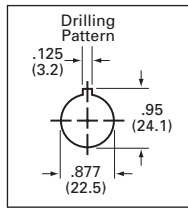
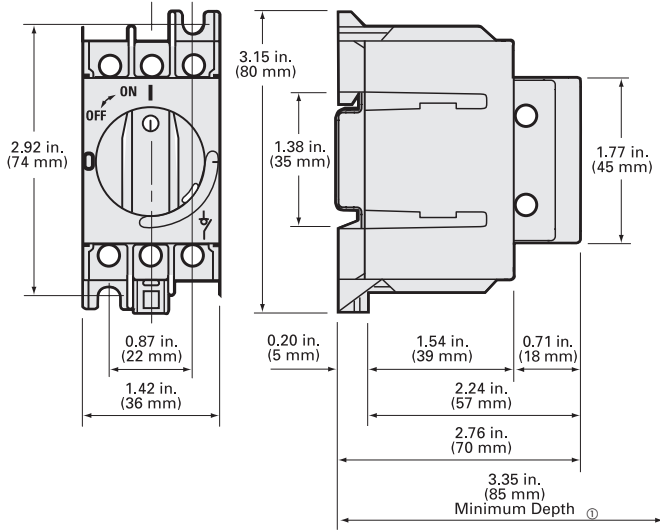
<sup>④</sup> Can be used as replacement handles on enclosed 3LD2 switches.

# Disconnect Switches

## Compact Non-Fusible — Rotary and Toggle

### Dimension Drawings and Wire Ranges

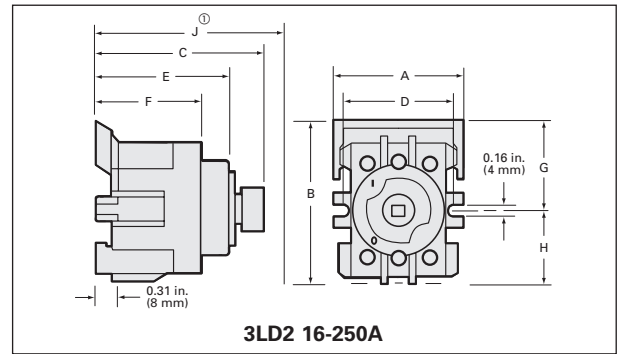
Selection



Shaft Mounted  
 3LD2 Handle Cutout  
 (4-hole pattern)

### Dimension J Minimum Depth<sup>①</sup>

Switch	Dimension J
3LD2 25 & 32A Front Shaft Mounted	3.07 (78)
3LD2 63 Front Shaft Mounted	3.35 (85)
3LD2 16-32A Front 4-hole Mounted	2.13 (54)
3LD2 63A Front 4-hole Mounted	2.48 (63)
3LD2 100 & 125A Front 4-hole Mounted	2.56 (65)
3LD2 25 & 32A Base w/shaft Mtg. Handle	6.46 (164)
3LD2 63A Base w/shaft Mtg. Handle	6.77 (172)
3LD2 16-32A Base w/4-hole Mtg. Handle	5.59 (142)
3LD2 63A Base w/4-hole Mtg. Handle	5.99 (152)
3LD2 100-250A Base w/4-hole Mtg. Handle	6.07 (154)



Switch Type	Switch Catalogue Number	Dimensions - Inches (mm)							
		A	B	C	D	E	F	G	H
Rotary Front Mtg.	3LD20 <sup>②</sup>	1.89 (48)	1.97 (50)	1.97 (50)	—	—	—	—	—
Rotary Front Mtg.	3LD21 & 2 <sup>②</sup>	1.81 (46)	2.17 (55)	1.97 (50)	—	—	—	—	—
Rotary Front Mtg.	3LD25 <sup>②</sup>	2.36 (60)	2.52 (64)	2.32 (59)	—	—	—	—	—
Rotary Front Mtg.	3LD27 & 8 <sup>②</sup>	2.40 (61)	3.27 (83)	2.40 (61)	—	—	—	—	—
Rotary Base Mtg.	3LD20 <sup>②</sup>	1.89 (48)	1.97 (50)	2.29 (58)	—	—	—	—	—
Rotary Base Mtg.	3LD21 & 2 <sup>②</sup>	1.81 (46)	2.17 (55)	2.29 (58)	—	—	—	—	—
Rotary Base Mtg.	3LD25 <sup>②</sup>	2.36 (60)	2.52 (64)	2.68 (68)	—	—	—	—	—
Rotary Base Mtg.	3LD27 & 8 <sup>②</sup>	2.80 (71)	3.27 (83)	2.76 (70)	—	—	—	—	—
Rotary Base Mtg.	3LD23 & 4	4.41 (112)	5.83 (148)	4.10 (104)	—	—	—	—	—

① Depth from outside of cover to back of switch.

② Handle front plate dimensions: 3LD 16-32A—2.64 inches square  
 3LD 63-125—3.55 inches square

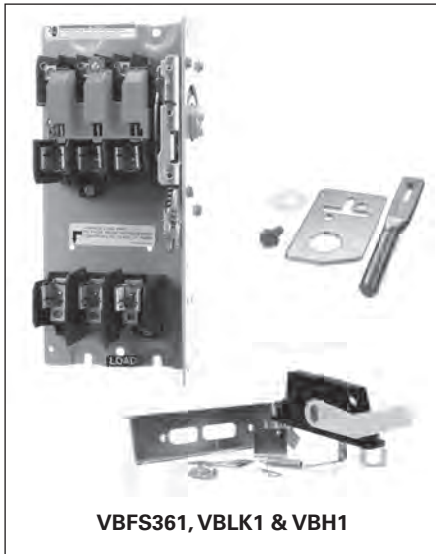
# Disconnect Switches

## Type VBII (30-600A) with Flange Mounted Operating Handle

## Features and Ordering Information

### Features

- 30-600A, 600VAC and DC ratings
- 240 & 600V AC switches are UL Recognized under file number E121152, Vol. 3 and CSA certified under file number 154852
- Visible blade quick make and break switching action
- Panel and Flange mounted assemblies facilitate installation
- Panel mounted switches are variable depth
- Short circuit rating of 10,000 AIC with class H fuse, and of 200,000 AIC with class R or J fuses.
- Flange mounted handles rated as Type 1, 3R & 12 or 4X are padlockable in the off position with up to (3) padlocks with 5/16 hasps
- Meets UL98 requirements and suitable for both main and branch circuit applications
- A complete line of aux contacts are available
- Load break and horsepower rated
- Defeatable cover interlock standard with all handles
- Meets NFPA79 requirements
- Seismic qualified — complies with the 2010 California Building Code (CBC) — and with the International Building Code (IBC) — Compliance Level SDS = 1.85 g



### Ordering Information

1. Determine the ratings required (amps, volts, HP, Fusible, NF), the mounting needed (Panel or Flange), and select the appropriate switch.
2. For panel mounted switches with a rigid operating shaft (30-600A), order panel mounted switch, flange mounted operating handle & rigid linkage kit based on depth required.
3. For panel mounted switches with a Max-Flex operator, order panel mounted switch, Max-Flex Handle & Adapter Kit and drive cable.
4. Select accessories if required.

# Disconnect Switches

Type VBII (30-600A) with Flange Mounted Operating Handle

Selection

Switches—for Standard 600V Max AC or DC Applications

Switch Amperage Rating	Max. AC Voltage Rating	Catalogue Number	Horsepower Rating, Switches and 3-Phased <sup>⑥</sup>						600 Volts DC (max) <sup>⑥</sup>
			240 Volts AC		480 Volts AC		600 Volts AC		
			Std.	Max.	Std.	Max.	Std.	Max.	

## Fusible Panel Mounted Variable Depth Switches - 3-Pole<sup>⑤</sup>

30	240	VBFS321	3	7 <sup>1/2</sup>	—	—	—	—	— <sup>①</sup>
60	240	VBFS322	7 <sup>1/2</sup>	15	—	—	—	—	— <sup>②</sup>
30	600	VBFS361	—	—	5	15	7 <sup>1/2</sup>	20	15 <sup>③</sup>
60	600	VBFS362	—	—	15	30	15	50	30 <sup>③</sup>
100	600	VBFS363	—	—	25	60	30	75	50 <sup>③</sup>
200	600	VBFS364	—	—	50	125	60	150	50
400	600	VBFS365	—	—	100	250	125	350	— <sup>④</sup>
600	600	VBFS366	—	—	150	400	200	500	— <sup>④</sup>

## Non-fusible Panel Mounted Variable Depth Switches - 3-Pole<sup>⑤</sup>

30	600	VBNFS361	—	10	—	20	—	30	15 <sup>③</sup>
60	600	VBNFS362	—	20	—	50	—	60	30 <sup>③</sup>
100	600	VBNFS363	—	40	—	75	—	100	50 <sup>③</sup>
200	600	VBNFS364	—	60	—	125	—	150	50
400	600	VBNFS365	—	125	—	250	—	300	— <sup>④</sup>
600	600	VBNFS366	—	200	—	400	—	500	— <sup>④</sup>

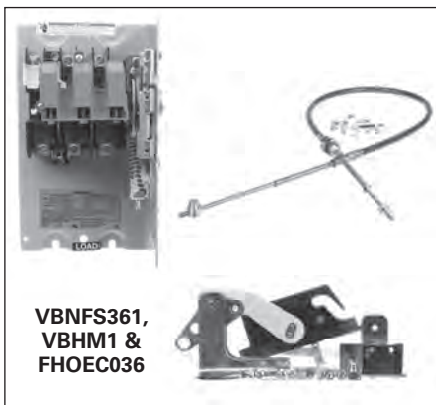
## Fusible Flange Mounted Switches - 3-Pole<sup>⑥⑦</sup>

30	240	VBFS321F	3	7 <sup>1/2</sup>	—	—	—	—	— <sup>①</sup>
60	240	VBFS322F	7 <sup>1/2</sup>	15	—	—	—	—	— <sup>②</sup>
30	600	VBFS361F	—	—	5	15	7 <sup>1/2</sup>	20	15 <sup>③</sup>
60	600	VBFS362F	—	—	15	30	15	50	30 <sup>③</sup>
100	600	VBFS363F	—	—	50	60	30	75	50 <sup>③</sup>
200	600	VBFS364F	—	—	100	125	60	150	50

## Non-fusible Flange Mounted Switches - 3-Pole<sup>⑥⑦</sup>

30	600	VBNFS361F	—	10	—	20	—	30	15c
60	600	VBNFS362F	—	20	—	50	—	60	30c
100	600	VBNFS363F	—	40	—	75	—	100	50c
200	600	VBNFS364F	—	60	—	125	—	150	50

**Note:** Fusible switches include fuse provisions for Class H Fuses. The load base can be moved to pre-drilled holes for Class J Fuses on all 600V switches. If Class R Fuses are required, add a Class R Fuse Clip Kit.



### Max-Flex™ Handle and Adapter Kit

(Type 1, 12, 3R & 4X) Use with 30-200A panel mounted switches and cable kit.

Catalogue Number	Operating Handle Description
------------------	------------------------------

### Plastic Handles

VBHM1	30-200A Type 1, 3R, 12 and 4X
-------	-------------------------------

### Metal Handles

VBHM2	30-200A Type 1, 3R and 12
VBHM2X	30-200A Type 4X

### Cable Kit

For use with 30-200A panel mounted switches and Max-Flex handle and adapter kit.

Catalogue Number	Description
FHOEC036	36" long drive cable
FHOEC048	48" long drive cable

① Rated 5 HP at 250V DC.

② Rated 10 HP at 250V DC.

③ 600V DC & 600V DC horsepower rating shown requires (2) poles to be connected in series.

④ Std. - applies when non-time delay fuses are used. Max. - applies when time delay fuses are used.

⑤ Includes line base, load base, operating mechanism and line and load lugs. Order operating handle and linkage kits from tables on pages 4-7 or 4-8.

⑥ Please add letter "M" to the end of catalog number for metal handle.

# Disconnect Switches

## Type VBII (30-600A) with Flange Mounted Operating Handle

*Selection & Accessories*

### Flange Mounted Operating Handles

For use with Panel Mounted Switches. Plastic handle is included with Flange Mounted Switches as standard.

Catalogue Number	Operating Handle Description
------------------	------------------------------

#### Plastic Handles

VBH1	30-200A Type 1, 3R & 12
VBH14X	30-200A Type 4X

#### Metal Handles

VBH112	30-200A Type 1, 3R & 12
VBH14	30-200A Type 4X
VBH2	400A Type 1 & 12
VBH2R	400 & 600A Type 1, 3R & 12
VBH24X	400 & 600A Type 4X



### Class R Fuse Clip Kits

These kits prevent the installation of Class H and K fuses (one kit required per switch).

### Class R Fuse Clip Kits

Catalogue Number	Description
HR21	30A, 240V Kit (HD only)
HR612	30A, 600V Kit/60A, 240V Kit
HR62	60A, 600V Kit
HR63	100A Kit
HR64	200A Kit
HR656	400A/600A Kit

### Internal Door Latch Kits

For use with enclosures with door mounted latching bar. Required when a flange mounted switch is mounted in a Hoffmann or Rittal enclosure provided with an AB cutout.

Catalogue Number	Description
DKR2	2 point (for use with enclosures less than 40" high)
DKR3	3 point (for use with enclosures 40" or larger in height)

### Rigid Linkage Kits

For use with Panel Mounted Switches. Not required for Flange Mounted Switches.

Catalogue Number	Switch Ampere Rating	Enclosure Depth <sup>①</sup>	
		Min	Max.
VBLK1	30-200	6.94 <sup>②</sup>	6.94 <sup>?</sup>
VBLK2	30-200	6.94 <sup>②</sup>	19.0
VBLK3	400 & 600	9.00	8.75
VBLK4	400 & 600	9.00	19.0



### Class T Fuse Adapter Kits

100-600A fusible switches are field convertible to accept Class T fuses. 400-600A switches are field convertible to accept Class T fuses by moving the load base to a pre-drilled T fuse position.

### Class T Fuse Adapter Kits<sup>③</sup>

Catalogue Number	Description
HT23	100A, 240V Kit
HT63	100A, 600V Kit
HT24	200A, 240V Kit
HT64▲	200A, 600V Kit

### Class J Fuse Provisions

All 30-600A, 600V fusible switches are field convertible to accept Class J fuses by moving the load base to a pre-drilled J fuse position.

### Window Kits (Type 1, 12, 3R and 4x)

Allows viewing of visible blades and of indicating fuses through 200A.

Catalogue Number	Description
VBWK1	30A Window Kit
VBWK2	60 & 100A Window Kit
VBWK3	200-600A Window Kit

### **NEW** Quick Connects

They provide two point control power take-off capability and are normally used on two poles on the line side when it is required to have control power available when the switch is in the OFF position. They provide a mounting provision for standard ¼" quick connect terminal. Installed in the line or load side. 30A VBII switches have lugs to accept (2) wires per pole as standard so a 30A kit is not required.

Catalogue Number	Description
HCQ62	60A 2 wire quick connect kit
HCQ63	100A 2 wire quick connect kit
HCQ64	200A 2 wire quick connect kit



### Neutral Kits

Standard Neutral Kits can be field installed in 30-100A switches.

### Neutral Kits

Switch Ampere Rating	Kit Catalogue Number
30A 600V, 60A 240V	<b>HNC612</b>
60A, 600V & 100A	<b>HNC623</b>

### 200% Neutral Kits

CSA listed 200% Neutrals are available on 60 & 100A switches. They are typically used with non-linear transformers or where increased neutral ampacity/lug capacity is required.

### 200% Neutral Kits

Switch Ampere Rating	Kit Catalogue Number	Wire Range Line & Load Lugs (Cu/Al)
60 & 100A	<b>HNC263</b>	<b>(2) #14-1/0 AWG</b>

▲ Built to order. Allow 6-8 weeks for delivery.

① Dimensions (min. & max.) from enclosure mounting pan to outside surface of enclosure handle mounting flange.

② 7.12 for 200A switches.

③ One kit per pole required.



# Disconnect Switches

## Type VBII (30-600A) with Flange Mounted Operating Handle

Accessories



HA161234



HA261234



HP61



HLC612



HSK61

### Auxiliary Contacts

The auxiliary contacts are available in 1 normally open and 1 normally closed or 2 normally open and 2 normally closed configurations. Siemens offers a PLC Auxiliary Switch (30-200A) that has very low resistance for low voltage and current typical in PLC circuits. All auxiliary contacts make after and break before main switch contacts.

Switch Ampere Rating	Aux. Switch Catalogue Number	Kit Ampere Rating			Kit Horsepower Rating		
		125V AC	250V AC	28V DC	125V AC	250V AC	28V AC
		Max.	Max.	Max.	Max.	Max.	Max.

### With 1 NO & 1 NC Isolated Contacts

30-200	HA161234	10	10	—	1/2	3/4	—
400-600	HA165678	10	10	—	1/2	3/4	—

### With 2 NO & 2 NC Isolated Contacts

30-200	HA261234	10	10	7	1/2	3/4	—
400-600	HA265678	10	10	7	1/2	3/4	—

### Low Current PLC Type with 1 NO & 1 NC Gold Plated Contacts

30-200	HA361234	10	10	—	1/2	3/4	—
400-600	HA365678	10	10	—	1/2	3/4	—

### Fuse Puller Kits

Fuse Puller Kits are field installable in 30-100A Type VBII Heavy Duty Switches (one kit required per 3-pole switch).

Switch Ampere Rating	Fuse Puller Kit Catalogue Number
030	HP61
060	HP62▲
100	HP63▲

### Copper Lug Kits

All switches are CSA approved to accept field installed copper lug kits.

Switch Ampere Rating	Copper Lug Cat. No.	Description
30-60	HLC612	(9) Lugs/Kit #14-4 AWG Cu
100	HLC63▲	(9) Lugs/Kit #14-1/0 AWG Cu
200	HLC64▲	(9) Lugs/Kit #6 AWG-300 Kcmil Cu
400-600A	HLC65678	(1) Lugs/Kit #1/0 AWG-600 Kcmil Cu

### Equipment Ground Kits

Equipment Ground Lug Kits are available for all switches.

Switch Ampere Rating	Catalogue Number	Number of Terminals	Wire Range Per Terminal (Cu/Al)
30-200	HG61234	2	#14-4 AWG
400 & 600	HG656	4	#6 AWG-250 Kcmil

### **NEW** Internal Shield Kits (for fusible switches)

Kits provide a "skirt" that encloses the VBII switch and also a clear plastic inner door to prevent accidental contact with live parts. Test probe holes are provided and fuses can be replaced without removal of kit.

Switch Ampere Rating	Shield Kit Catalogue Number
30A	HSK61
60-100A	HSK623
200A	HSK64

▲ Built to order. Allow 6-8 weeks for delivery.

# Disconnect Switches

## Type VBII (30-600A) with Flange Mounted Operating Handle

Selection

### Lugs

30 & 60A switches are suitable for use with 60° or 75°C wire. 100–600A switches are suitable for use with 75°C rated wire. All switches are supplied with factory installed line and load lugs.

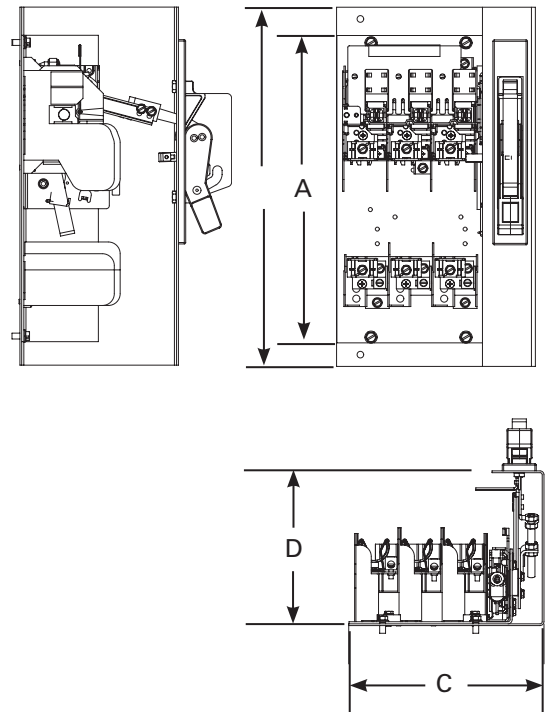
### Wire Ranges (Line, Load and Standard Neutral)

Switch Ampere Rating	Lug Wire Range
30	#14-2 AWG (Cu/Al)
60	#14-2 AWG (Cu/Al)
100	#14-1/0 AWG (Cu/Al)
200	#6 AWG-300 Kcmil (Cu/Al)
400	(1) 1/0 AWG-750 Kcmil (Cu/Al) or (2) 1/0 AWG-250 Kcmil (Cu/Al)
600	(2) 1/0 AWG-750 Kcmil (Cu/Al) or (4) 1/0 AWG-250 Kcmil (Cu/Al)

### Approximate Dimensions

Mounting bracket shown with handle installed is supplied with Flange Mounted Switches only. All Panel Mounted Switches have a “L” shaped mounting pan with a line base, load base (if fusible) and mechanism installed.

Catalogue Number	Dimensions				
	A	B	C <sup>ⓐ</sup>	D (min)	D (max)
<b>Fusible, Panel Mounted</b>					
VBFS321	11.88	N/A	7.47	6.94	19
VBFS322	13.12		8.5	6.94	19
VBFS361	11.88		7.47	6.94	19
VBFS362	13.12		8.5	6.94	19
VBFS363	13.12		8.5	6.94	19
VBFS364	17		12.33	7.12	19
VBFS365	26.25		16.5	8.63	19
VBFS366	26.25		16.5	8.63	19
<b>Non-fusible, Panel Mounted</b>					
VBNFS361	9.79	N/A	7.47	6.94	19
VBNFS362	9.79		8.5	6.94	19
VBNFS363	9.79		8.5	6.94	19
VBNFS364	10.77		12.33	7.12	19
VBNFS365	13		16.5	8.63	19
VBNFS366	13		16.5	8.63	19
<b>Fusible, Flange Mounted</b>					
VBFS321F	11.88	14.08	7.47	7.27	N/A
VBFS322F	13.12	15.83	8.85	7.27	
VBFS361F	11.88	14.08	7.47	7.27	
VBFS362F	13.12	15.83	8.85	7.27	
VBFS363F	13.12	15.83	8.85	7.27	
VBFS364F	17	18.20	12.68	7.57	
<b>Non-fusible, Flange Mounted</b>					
VBNFS361F	9.79	11.78	7.47	7.27	N/A
VBNFS362F	9.79	11.78	8.85	7.27	
VBNFS363F	9.79	11.78	8.85	7.27	
VBNFS364F	10.77	11.97	12.68	7.57	



<sup>ⓐ</sup> Dimension C for panel mounted switches indicates the minimum width from the left hand edge of the switch mounting pan to the right hand inside surface of the enclosure.



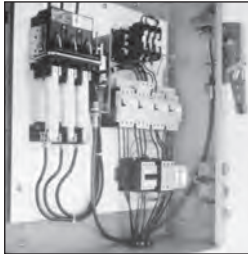
# Disconnect Switches

## Type MCS (30-200A) — Switches, Fuse and No Fuse Kits

Selection

### Features

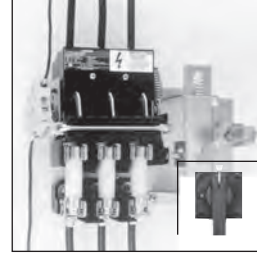
- 30, 60, 100 and 200 Ampere Switches
- UL Recognized (file # E121152 vol. 1 & 2) and CSA Certified under file #84625
- Simple Mounting — with an integral switch and over center mechanism
- Horsepower & load break rated
- Compact Size
- Visible Blade Contacts
- Rugged Construction — with a short circuit current rating of 10,000 amps with Class H or 200,000 amps at 600V maximum AC, when fused with Class R or Class J fuses
- Available with three operator handle options, allowing flexible placement of switch
- Field Installable Auxiliary Contacts
- Flexible Fuse Class Configurations
- Flange mounted handles meet NFPA79 requirements



Type MCS Disconnect Switch with Max-Flex™ handle operator



Type MCS Disconnect Switch with fixed-depth, flange-mounted handle



Type MCS Disconnect Switch with rotary handle

### Ordering Information

1. Select the basic switch size you need (30, 60, 100 or 200 ampere).
2. Check the switch selected against the maximum horsepower rating required for our application. "L" or "R" suffix on switch catalog numbers denotes left or right-handed mechanism drive.
3. Choose either fuse or no fuse kit from chart below.
4. Check "Minimum Dimensions" on page 5-12 for installation space requirements.
5. Select from the list of handle operators, the type which best suits your application. Handle operators can be selected from the next page.

### Basic Switches

Switch Ampere Rating	Max. Voltage Rating	Catalogue Number Right Hand	Catalogue Number Left Hand	Max. Horespower Rating, 3 Phase <sup>④</sup>						250 Volts (max) <sup>④</sup>
				240 Volts AC		480 Volts AC		600 Volts AC		
				Standard Fuse	Time Delay Fuse	Standard Fuse	Time Delay Fuse	Standard Fuse	Time Delay Fuse	
30	600	MCS603R	MCS603L	3	7 <sup>1/2</sup>	5	15	7 <sup>1/2</sup>	20	15
60	600	MCS606R	MCS606L	7 <sup>1/2</sup>	15	15	30	15	50	10
100	600	MCS610R	MCS610L▲	15	30	25	60	30	75	20
200	600	MCS620R	MCS620L▲	25	60	50	125	60	150	40

### Fuse And No Fuse Kits (Includes load base plus line and load fuse clips)<sup>①</sup>

Basic Switch Ampere Rating	Switch Catalogue Number	Kit Description	No Fuse Kits		For Class H Catalogue Number <sup>①</sup>	For Class J Catalogue Number <sup>①</sup>	For Class R Catalogue Number <sup>①</sup>	Lug Wire Size
			Standard	Cu Only <sup>②</sup>				
			Catalogue Number	Catalogue Number				
30	MCS603R or MCS603L	No Fuse	TMK606	—	—	—	—	#14 to #4 AWG Cu/Al
		30A, 250V	—	—	FCK203▲	—	—	
		30A, 600V	—	—	FCK206	FCJK603	FCRK203	
		60A, 250V	—	—	FCK206	—	FCRK206	
60	MCS606R or MCS606L	60A, 600V	—	—	FCK606	FCJK606	FCRK606	#14 to #4 AWG Cu/Al
		No Fuse	TMK606	—	—	—	—	
		60A, 250V	—	—	FCK206	FCJK606	FCRK206	
		60A, 600V	—	—	FCK606	FCJK606	FCRK606	
100	MCS610R or MCS610L	100A, 250V	—	—	—	—	—	#14 to #2/0 AWG Cu/Al
		100A, 600V	—	—	OFCK661▲	OFCK661▲	③	
		100A, 600V	—	—	OFCK661▲	OFCK661▲	③	
		No Fuse	TMK610	TMK610C	—	—	—	
200	MCS620R or MCS620L	200A, 250V	—	—	FCK610	FCK610	③	#6 to 300 kcmil Cu/Al
		200A, 600V	—	—	FCK610	FCK610	③	
		200A, 250V	—	—	OFCK620	OFCK620	③	
		200A, 600V	—	—	OFCK620	OFCK620	③	
200	MCS620R or MCS620L	No Fuse	TMK620	TMK620C▲	—	—	—	#6 to 300 kcmil Cu/Al
		200A, 250V	—	—	FCK620	FCK620	③	
		200A, 600V	—	—	FCK620	FCK620	③	

▲ Built to order. Allow 6–8 weeks for delivery.

① For "copper only" connectors, order as follows:

Fusible—order standard switch, standard fuse kit and copper only no fuse kit.

Non-Fusible—order standard switch and copper only no fuse kit.

② Includes both line and load lugs.

③ For Class R fuses order Class H kit from this table and the Class R conversion kit from the next page.

④ HP ratings for time delay fuses and for 250V DC also apply to Non-fusible switches.

# Disconnect Switches

Type MCS (30-200A)

Accessories

## Auxiliary Switch Kits

Switch Catalogue Number	Contact Arrangement	
	1 NO/1 NC Catalogue Number	2 NO/2 NC Catalogue Number
MCS603R	MCSAKR136	MCSAKR236
MCS603L	MCSAKL136	MCSAKL236▲
MCS606R	MCSAKR136	MCSAKR236
MCS606L	MCSAKL136	MCSAKL236▲
MCS610R	MCSAK116	MCSAK216
MCS610L	MCSAK116	MCSAK216
MCS620R	MCSAK126	MCSAK226
MCS620L	MCSAK126	MCSAK226

## Class R Fuse Conversion Kits

Fuse Clip Rating	Catalogue Number
100A, 600V	SSRK33
200A, 600V	SSRK34

## Fuse Ejector Kits

Switch Catalogue Number	Fuse Ejector Kit Catalogue Number
MCS610	FE100▲
MCS620	FE200▲

## Handle Operators

Fixed Depth, Flange Mounted, Types 1, 3, 3R, 12<sup>①④</sup>

Switch Catalogue Number	Complete Handle Mechanism Catalogue Number	Handle Only Catalogue Number	Switch Operator Only Catalogue Number
MCS603R	FDFS06R	FDH10	FDS06R
MCS603L	FDFS06L	FDH10	FDS06L
MCS606R	FDFS06R	FDH10	FDS06R
MCS606L	FDFS06L	FDH10	FDS06L
MCS610R	FDFS06R	FDH10	FDS06R
MCS610L	FDFS06L	FDH10	FDS06L
MCS620R	FDFS20R	FDH20	FDS20R
MCS620L	FDFS20L	FDH20	FDS20L

Variable Depth, Flange Mounted Max-Flex™, Types 1, 3, 3R, 12<sup>②</sup>

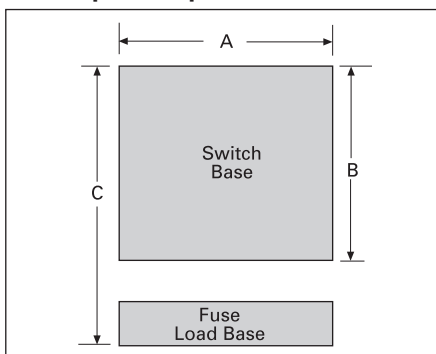
Switch Catalogue Number	Complete Handle Mechanism Catalogue Number	Handle Only Catalogue Number	Switch Operator Only Catalogue Number	Cable Only <sup>③</sup> Catalogue Number
MCS603R	FHOS06036R	FHOHS	FHOS06R	FHOEC036
MCS603L	FHOS06036L	FHOHS	FHOS06L	FHOEC036
MCS606R	FHOS06036R	FHOHS	FHOS06R	FHOEC036
MCS606L	FHOS06036L	FHOHS	FHOS06L	FHOEC036
MCS610R	FHOS06036R	FHOHS	FHOS06R	FHOEC036
MCS610L	FHOS06036L	FHOHS	FHOS06L	FHOEC036
MCS620R	FHOS20036R	FHOHS	FHOS20R	FHOJC036
MCS620L	FHOS20036L	FHOHS	FHOS20L	FHOJC036

Variable Depth Rotary, Through-The-Door-Mounted, Types 1, 12<sup>④⑤</sup>

Variable Depth				Shaft Only Variable Depth
MCS603R	CRHOS06VD	CRHOH	RHOS06	RHOSVD
MCS606R	CRHOS06VD	CRHOH	RHOS06	RHOSVD
MCS610R	CRHOS06VD	CRHOH	RHOS06	RHOSVD
MCS620R	CRHOS20VD	RHOH	RHOS20	RHOSVD

## MCS Disconnect Switch Panel Space Requirements

### Panel Space Requirements



### Minimum Dimensions (inches\*)

Switch Catalogue Number	Size	"A"	"B"	"C"	Fuse Classes
MCS603	30A/240V	6.13	5.52	8.11	H, K, R
	30A/600V	6.13	5.52	10.11	H, K, R
	30A/600V	6.13	5.52	8.48	J
MCS606	60A/240V	6.13	5.52	7.86	H, K, R
	60A/600V	6.13	5.52	10.38	H, K, R
	60A/600V	6.13	5.52	8.35	J
MCS610	100A/240V	7.38	7.59	11.85	H, K, R
	100A/600V	7.38	7.59	13.85	H, K, R
	100A/600V	7.38	7.59	10.6	J
MCS620	200A/240V	9.17	9.00	14.7	H, K, R
	200A/600V	9.17	9.00	17.2	H, K, R
	200A/600V	9.17	9.00	13.32	J

"A" – Dimension is measured from each cross bail pin.

"B" – Dimension is measured from line side barrier to load side barrier.

"C" – Dimension is measured from line side terminal of switch to load side terminal of fuse load base.

▲ Built to order. Allow 6-8 weeks for delivery.  
 ① For Type 4 and 4X applications, order handle only Catalogue Number  
 100A - FDH104      200A - FDH204  
 ② For Type 4 and 4X applications, order handle only Catalogue Number FHOHS4

③ Standard cable length is 36 inches. Alternate lengths are available as follows:

Length	Amps	Cat. No.
48"	30-100	FHOEC048
60"	30-100	FHOEC060
48"	200	FHOJC048
60"	200	FHOJC060

④ For Type 4 and 4X applications, order handle only Catalogue Number RHOH4

⑤ For Type 3 and 3R applications, order handle only Catalogue Number RHOH

⑥ Min. enclosure depth from mounting pan to handle mounting surfaces: 30-100A 6.44 Inches  
 200A 10.93 Inches

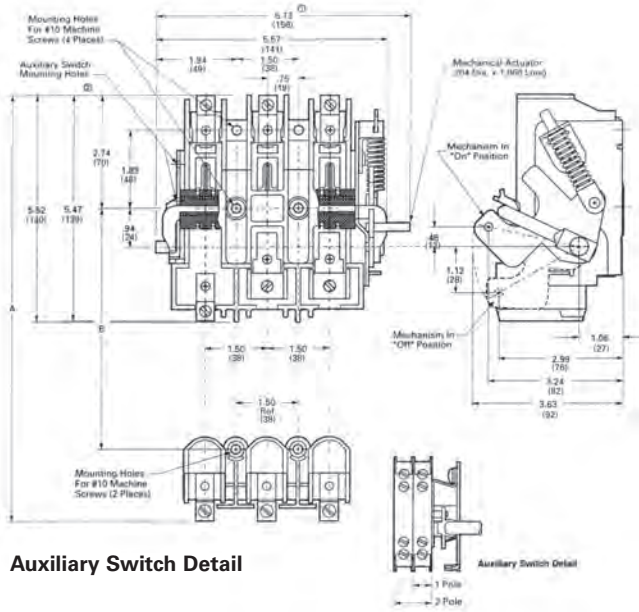
\*For millimeters multiply inches by 25.4.

# Disconnect Switches

## Motor Control Disconnect Switch

### Outline Drawing 30/60A Switch Mechanism

Selection



Auxiliary Switch Detail

### Dimensional Data for Fused Applications - Inches (mm)

Basic Switch Catalogue Number	Size	A	B	Fuse Class
MCS603	30A/240V	8.11 (206)	3.63 (92)	H, K, R
	30A/600V	10.11 (257)	5.63 (143)	H, K, R
	30A/600V	8.48 (215)	4.00 (102)	J
MCS606	60A/240V	7.86 (200)	3.38 (86)	H, K, R
	60A/600V	10.36 (263)	5.88 (149)	H, K, R
	60A/600V	8.36 (212)	3.88 (99)	J

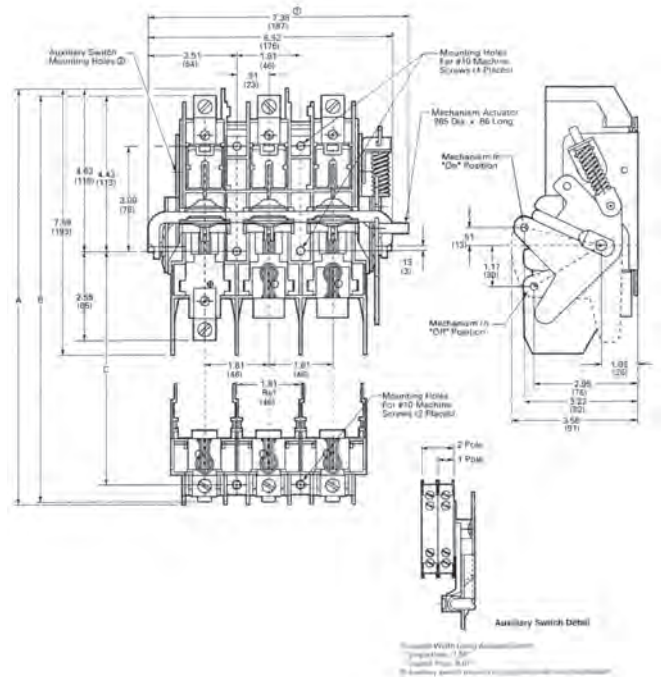
- ① Overall Width Using Auxiliary Switch  
Single Pole - 7.18" (182)  
Double Pole - 7.63" (194)
- ② Auxiliary switch mounts on opposite side from mechanism.

### Outline Drawing 100A Switch Mechanism

#### Dimensional Data for Fused Applications - Inches (mm)

Basic Switch Catalogue Number	Size	A	B	C	Fuse Class
MCS610	100A/240V	11.85 (301)	11.41 (290)	6.66 (169)	H, K, R
	100A/600V	13.85 (352)	13.41 (341)	8.66 (220)	H, K, R
	100A/600V	10.60 (296)	10.16 (258)	5.41 (137)	J

- ① Overall Width Using Auxiliary Switch  
Single Pole - 7.56" (192)  
Double Pole - 8.01" (203)
- ② Auxiliary switch mounts on opposite side from mechanism.



# Disconnect Switches

## Motor Control Disconnect Switch

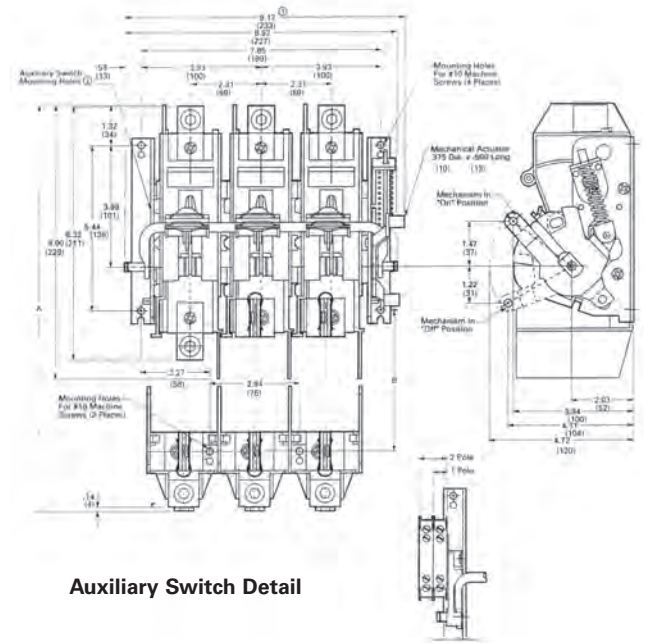
### Outline Drawing 200A Switch Mechanism

Selection

#### Dimensional Data for Fused Applications - Inches (mm)

Basic Switch Catalogue Number	Size	A	B	Fuse Class
MCS620	200A/240V	14.70 (373)	6.00 (152)	H, K, R
	200A/600V	17.20 (437)	8.50 (216)	H, K, R
	200A/600V	13.32 (338)	4.62 (117)	J

- ① Overall Width Using Auxiliary Switch  
Single Pole - 9.30" (236)  
Double Pole - 9.75" (248)
- ② Auxiliary switch mounts on opposite side from mechanism.

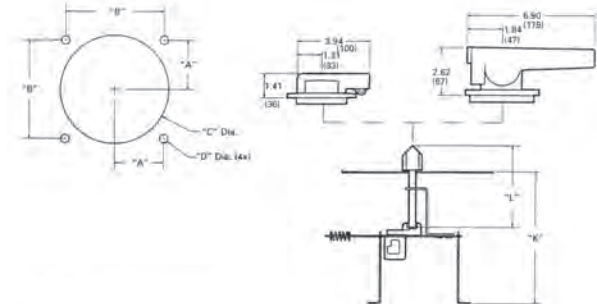


Auxiliary Switch Detail

## Rotary Handle Operator

#### Dimensions - Inches (mm)

Catalogue Number	A	B	C	D
CRHOH	1.18 (30)	2.36 (60)	3.00 (76)	0.175 (4)
RHOH	1.59 (40)	3.18 (81)	3.50 (89)	0.281 (7)

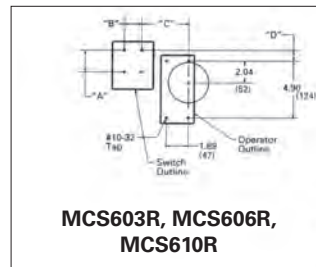


#### Dimensions - Inches (mm)

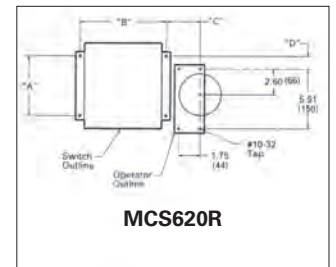
Catalogue Number:	CRHOS06	CRHOS20	RHOS06	RHOS20
Enclosure Min.	5.42 (138)	6.17 (157)	4.75 (121)	5.50 (140)
Depth (K) Max.	15.73 (400)	16.28 (414)	16.30 (419)	16.85 (428)
Shaft Length (L)	K-2.77 (70)	K-3.42 (87)	K-2.25 (57)	K-2.90 (74)

#### Dimensions - Inches (mm)

Catalogue Number	A	B	C	D
MCS603R, MCS606R	1.89 (48)	1.50 (38)	4.03 (102)	1.10 (28)
MCS610R	3.00 (76)	1.81 (46)	4.37 (111)	1.17 (30)
MCS620R	5.44 (138)	7.85 (199)	2.53 (64)	1.41 (36)



MCS603R, MCS606R,  
MCS610R



MCS620R

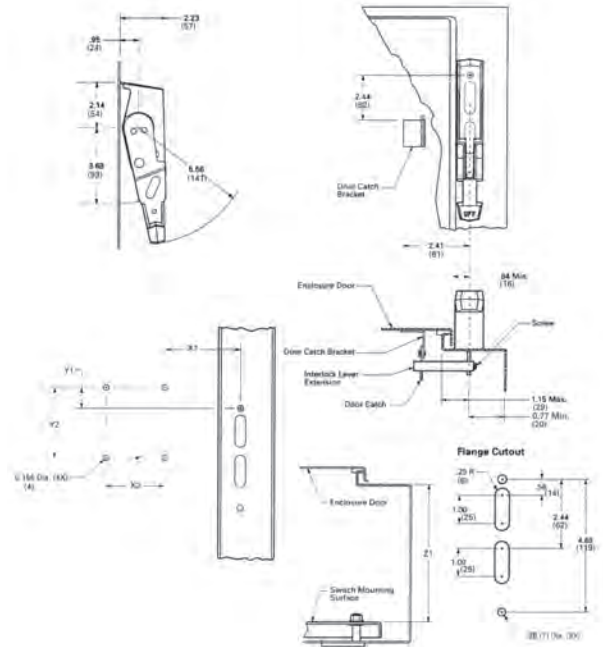
# Disconnect Switches

Motor Control Disconnect Switch  
Fixed Depth Handle Operator

Selection

## Dimensions - Inches (mm)

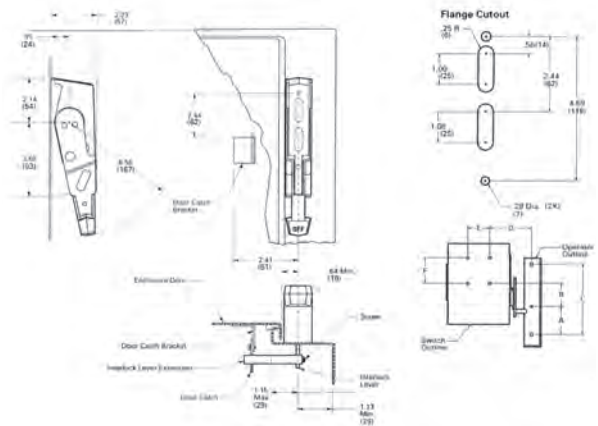
Catalogue Number	X1	X2	Y1	Y2	Z1
MCS603, MCS606	3.52 (89)	1.50 (38)	0.00 (0)	1.89 (48)	6.44 (164)
MCS610	3.91 (99)	1.81 (46)	0.13 (3)	3.00 (76)	6.44 (164)
MCS620	1.51 (38)	7.86 (200)	0.38 (10)	5.44 (138)	10.93 (278)



## Max Flex™ Variable Depth Handle Operator

### Dimensions - Inches (mm)

Catalogue Number	A	B	C	D	E	F
MCS603, MCS606	2.00 (51)	1.69 (43)	5.10 (130)	2.88 (73)	1.50 (38)	1.89 (48)
MCS610	2.00 (51)	0.82 (21)	5.10 (130)	3.21 (82)	1.81 (46)	3.00 (76)
MCS620	2.50 (64)	-1.00 (-25)	5.50 (140)	1.00 (25)	7.86 (200)	5.44 (138)



### Maximum "E" Dimension<sup>①</sup>

Switch Catalogue Number	Cable Catalogue Number	Enclosure Depth inches (mm)						
		8	10	12	16	18	20	24
MCS603, MCS606	FHOEC036	16.0 (406)	13.0 (330)	13.5 (343)	8.0 (203)	—	—	—
MCS610	FHOEC048	26.0 (660)	26.0 (660)	26.0 (660)	23.0 (584)	21.0 (533)	18.0 (457)	17.0 (432)
MCS620	FHOJC036	15.0 (381)	12.0 (305)	12.5 (318)	7.0 (178)	—	—	—
	FHOJC048	25.0 (635)	25.0 (635)	25.0 (635)	22.0 (559)	20.0 (508)	17.0 (432)	16.0 (406)

Enclosure Depth in. (mm)	36" Cable		48" Cable	
	Fmin.	Fmax.	Fmin.	Fmax.
8 (203)	7.0 (178)	14.5 (368)	16.1 (409)	23.9(607)
10 (254)	5.5 (140)	13.1 (333)	16.0 (406)	23.6(599)
12 (305)	5.0 (127)	12.0 (305)	15.9 (404)	22.8(579)
16 (406)	4.0 (102)	9.4 (239)	14.7 (373)	22.0(559)
18 (457)	—	—	14.6 (371)	21.9 (556)
20 (508)	—	—	13.3 (338)	19.9 (505)
24 (610)	—	—	12.0 (305)	16.9 (429)

①Maximum "E" Dimension only if F max = 4.6" (117)



# Disconnect Switches

## Type CFS Compact Fusible Switches

## Features and Ordering Information

### Features

- 30 - 800A ratings
- UL Listed under file #E121152 & CSA Certified under file #222227
- Door mounted rotary handles with defeatable cover interlock
- Meets UL/CSA requirements for both main and branch circuit applications
- Compact size
- 100kA with Class CC fuses or up to 200kA with Class J fuses
- Load break and horsepower rated
- Quick make and break operation
- All handles are padlockable with up to (3) padlocks with 5/16" hasps in the OFF position
- Catalogue number **CFS361C5**, **CFS361J5** and **CNFS361** can be DIN-rail mounted and can be either front or side operated with standard rotary handles.
- All CFS part numbers ending in N can be either front or side operated with standard rotary handles.
- Handles are available in Type 1, 3R, 4/4X & 12 ratings
- NFPA 79 field installed kits are available
- 30-400A, 200kA switches are provided with quick connect terminal provisions for voltage sensing or for 10A max. control circuits
- Fusible switches, 3-pole 600V AC Max. 30-100A & 600-800A switches are also rated 250V DC Max when poles are field connected in series.



### Ordering information

1. Select the panel mounted switch required based on Ampere, HP and AIC requirements. Switches with a right hand mechanism are standard, 30-100A switches with a left hand mechanism are available.
2. Select handle based on environmental rating required.
3. Select operating shaft (200 or 400mm in length). For enclosure depths of 9.0" or less from panel mounting surface to inside of door use 200mm long shafts. For deeper enclosures use 400mm long shafts. 30A 100kA switches can be used in 10" deep enclosures (panel to inside of door) with 200mm shaft and CFSH5N handles.
4. Line & load lugs are provided as standard on 30-100A switches. Terminal kits are available for 200-800A switches if needed.
5. Auxiliary contact are available if needed as follows.
  - A. 30A switch CFS361C5 and non-fusible 30A switch CNFS361 will accept up to (4) aux contacts
  - B. 30A switch CFS361J5 will accept up to (2) aux contacts without an aux contact holder. If more than (2) aux contacts are required order aux contacts PLUS aux contact holder kit CFSAuxH1. All other switches will accept up to (4) aux contacts.
6. If non-fusible switch is required order a shorting bar for 60-600A switches or catalog number CNFS361 for 30A.
7. 30-100A switches are designed to prevent inadvertent contact with live parts and shields are not required. 200 & 400A switches are not supplied with terminal shields. They are available as field installed kits for both line and load terminals. 400-800A switches are supplied as standard with line shields and terminal shroud kits are available for the load side.

Note: Be sure to check shaft and handle compatibility with the switch selected by using information provided in the selection tables.

# Disconnect Switches

## Type CFS Compact Fusible Switches

Fusible switches, 3-pole 600V AC Max. 30-100A & 600-800A switches are also rated 250V DC Max when poles are field connected in series<sup>⑤</sup>

## Switch and Handle Selection



Switch ampere rating	Catalogue Number	Fuse provisions provided	Max horsepower ratings				AC short circuit rating
			240V 3Ø AC	480V 3Ø AC	600V 3Ø AC	250V DC	
<b>Standard – with right hand mounted mechanism</b>							
30 <sup>①</sup>	<b>CFS361C5</b>	Class CC	7 <sup>1/2</sup>	15	20	5 <sup>③</sup>	100kA
30 <sup>①</sup>	<b>CFS361J5</b>	Class J	7 <sup>1/2</sup>	15	20	5 <sup>③</sup>	100kA
30 <sup>①</sup>	<b>CFS361JN</b>	Class J	7 <sup>1/2</sup>	15	20	5 <sup>③</sup>	200kA
30 <sup>①</sup>	<b>CNFS361<sup>⑥⑦</sup></b>	None	7 <sup>1/2</sup>	15	20	5 <sup>③</sup>	65kA
60 <sup>①</sup>	<b>CFS362JN1</b>	Class J	15	30	50	10 <sup>③</sup>	100kA
60 <sup>①</sup>	<b>CFS362JN</b>	Class J	15	30	50	10 <sup>③</sup>	200kA
100 <sup>①</sup>	<b>CFS363JN</b>		30	60	75	20 <sup>③</sup>	
200 <sup>②</sup>	<b>CFS364JN<sup>④</sup></b>		60	125	150	–	
400 <sup>②</sup>	<b>CFS365JN<sup>④</sup></b>		125	250	350	–	
600 <sup>②</sup>	<b>CFS366J<sup>④⑧</sup></b>		200	400	500	–	
800 <sup>②</sup>	<b>CFS367L<sup>④⑧</sup></b>	Class L	200	400	500	–	200kA
<b>Optional – with left hand mounted mechanism<sup>④</sup></b>							
30 <sup>①</sup>	<b>CFS361JLN</b>	Class J	7.5	15	20	5 <sup>③</sup>	200kA
60 <sup>①</sup>	<b>CFS362JLN</b>		15	30	50	10 <sup>③</sup>	
100 <sup>①</sup>	<b>CFS363JLN</b>		30	60	75	20 <sup>③</sup>	

### Operating shafts for 30-400A switches<sup>⑤</sup>

Catalogue Number	Shaft length in. (mm)	Switch & handle compatibility
<b>CFSS5200N</b> <b>CFSS5400N</b>	7.9 (200) 15.7 (400)	5mm x 5mm for use with CFS361C5, CFS361J5 & CNFS361 switches & with "CFSH5" handles only
<b>CFSS5200HN</b> <b>CFSS5400HN</b>	7.9 (200) 15.7 (400)	5mm x 5mm for use with all "CFSH10" handles & with CFS361C5, CFS361J5 & CNFS361 switches only
<b>CFSS10200HN</b> <b>CFSS10400HN</b>	7.9 (200) 15.7 (400)	10mm x 10mm for use with all "CFSH10" handles & with all 30-400A switches except CFS361C5, CFS361J5 & CNFS361

### Compact rotary operating handles – door mounted (for use with CFS361C5, CFS361J5 & CNFS361 switches only)<sup>⑥</sup>

Catalogue Number	Colour	Type	Operating shaft compatibility
<b>CFSH5B12N</b> <b>CFSH5R12N</b>	Blue & Black Yellow & Red	1, 3R & 12	CFSS5200N or CFSS5400N
<b>CFSH5B4N</b> <b>CFSH5R4N</b>	Blue & Black Yellow & Red	1, 3R, 12 & 4/4X	

### Rotary operating handles - door mounted (for use with CFSS5200HN, CFSS5400HN, CFSS10200HN & CFSS10400HN)

Catalogue Number	Colour	Description
<b>Type 1, 3R &amp; 12<sup>⑦</sup></b>		
<b>CFSH10B12N</b>	Blue & Black	Heavy duty pistol grip (2.75" long for use with 30A switches & CFS362JN1)
<b>CFSH10R12N</b>	Yellow & Red	
<b>CFSH10BL12N</b>	Blue & Black	Heavy duty pistol grip (4.92" long for 30-400A switches)
<b>CFSH10RL12N</b>	Yellow & Red	
<b>Type 1, 3R, 4/4X &amp; 12<sup>⑦</sup></b>		
<b>CFSH10B4N</b>	Blue & Black	Heavy duty pistol grip (2.75" long for use with 30A switches & CFS362JN1)
<b>CFSH10R4N</b>	Yellow & Red	
<b>CFSH10BL4N</b>	Blue & Black	Heavy duty pistol grip (4.92" long for 30-400A switches)
<b>CFSH10RL4N</b>	Yellow & Red	

① Line and load lugs included.  
② Line and load lugs are not included. Order from table on next page if required.

③ DC HP rating shown requires (3) poles to be connected in series.  
④ CFS364JN & CFS365JN can be rotated 180° for left hand operation as standard.

⑤ Catalog numbers CFS361C5, CFS361J5 & CNFS361 accept 5mm x 5mm operating shafts. All other 30-400A switches accept 10mm x 10mm operating shafts.  
⑥ Compact pistol grip design (2.75" long) with defeatable cover interlock. Cover can be opened when handle is padlocked in the OFF position.  
⑦ Defeatable cover interlock provided. Cover cannot be opened when handle is padlocked in the OFF position.  
⑧ Catalog number CNFS361 is a non-fusible switch.  
⑨ 4 pole 600 & 800A switches, CFS466J & CFS467L are also available.  
⑩ CFS366J and CFS367L are rated 250 & 600V DC when (2) poles are connected in series.  
⑪ CNFS361 is rated 65kA when protected by Class J or CC 30A max. fuses.



# Disconnect Switches

## Type CFS Compact Fusible Switches

600 & 800A rotary operating handles - door mounted (8.27" long)<sup>⑦</sup>

Catalogue number	Colour	Type
CFSH12BL12	Blue & Black	1, 3R & 12
CFSH12RL12	Yellow & Red	1, 3R & 12
CFSH12BL4	Blue & Black	1, 3R, 12 & 4/4X
CFSH12RL4	Yellow & Red	1, 3R, 12 & 4/4X

600 & 800A operating shafts (cross section 12 x 12 mm)

Catalogue Number	Shaft length in. (mm)	Enclosure depth (switch mounting surface to door OD)
CFSS12200H	12.59 (320)	10.43 – 16.68 in.
CFSS12400H	15.75 (400)	10.43 – 19.84 in.

## Type CFS fusible switch accessories

Catalogue Number	Description
------------------	-------------

### Terminals<sup>①</sup>

CFSL200	200A lug kit (6 lugs per kit) (1)#6-3/0
CFSL400N	400A lug kit (6 lugs per kit) (1)#2-600kcmil (for CFS365JN only)
CFSL400	600-800A lug kit (6 lugs per kit) (2)#2-600kcmil

### Shorting Bars (no fuse kits)

CFSSB60	60A shorting bar kit (3 links per kit)
CFSSB100	100A shorting bar kit (3 links per kit)
CFSSB200	200A shorting bar kit (3 links per kit)
CFSSB400	400A shorting bar kit (3 links per kit)
CFSSB680	600 & 800A shorting bar kit (1 link per kit)

### Auxiliary Contacts (NEMA ratings AC A600 DC N600)

CFS AUXH1 <sup>②</sup>	Aux contact holder (CFS361J5, CFS361C5 & CNFS361)
CFS AUX1NO	Aux contact 1 NO (30-800A Sws)
CFS AUX1NC	Aux contact 1 NC (30-800A Sws)
CFS11AUX	1NO, 1NC aux contact kit (side mount for 200kA switches)
CFS22AUX	2NO, 2NC aux contact kit (side mount for 200kA switches)

### Terminal Shrouds (line or load)

CFSTS200N <sup>③</sup>	200A shroud kit (line or load 3-pole kit)
CFSTS400N <sup>③</sup>	400A shroud kit (line or load 3-pole kit for CFS365JN only)
CFSTS680 <sup>③</sup>	600/800A 3-pole shroud kit
CFSTS6804 <sup>③</sup>	600/800A 4-pole shroud kit

### 30A compact switch kits

CFSPLK	Shaft padlocking kit for 30A compact switch when door is open <sup>③</sup>
CFSH5CDM	Direct mount handle kit for CFS361C5 & CNFS361
CFSH5JDM	Direct mount handle kit for CFS361J5

## NFPA 79 kits

(if auxiliary contacts are needed, see table on page 7)

Kits provide an operating shaft suitable for use with all heavy duty handles (not for use with CFSH5 handles). Kits also provide an internal operating handle and an internal OFF padlocking provision.

CFSNFPA1 <sup>④</sup>	For use with CFS361C5, CFS361J5 & CNFS361
CFSNFPA2N <sup>⑤</sup>	For use with CFS361JN, CFS361CN, CFS362JN1, CFS362JN, CFS363JN & CFS364JN
CFSNFPA3N <sup>⑤</sup>	For use with CFS365JN only

## Selection and Accessories



CFSL200 & 400



CFS AUX1NC



CFSSB100 - CFSSB400

<sup>①</sup> Supplied as standard on 30-100A switches

<sup>②</sup> CFS361C5 and CNFS361 will accept (4) aux contacts without an aux contact holder. CFS361J5 will accept (2) aux contacts without an aux contact holder.

<sup>③</sup> Supplied as standard on all but 30A, 65kA & 100kA compact switches.

<sup>④</sup> 12.6 in. (320 mm) long operating shaft included

<sup>⑤</sup> 12.7 in. (323 mm) long operating shaft included

<sup>⑥</sup> Line side terminal shrouds supplied with switch

<sup>⑦</sup> Defeatable cover interlock included. Cover cannot be opened when the handle is padlocked in the OFF position.

<sup>⑧</sup> Neither line or load terminal shrouds are supplied as standard with new style 200 & 400A switches.

# Disconnect Switches

Type CFS Compact Fusible Switches

*Dimensions and Technical Characteristics*

UL & CSA technical characteristics and panel space requirements

Catalogue Number	Amps	Fuse Class	AC short circuit rating	Electrical endurance	Mechanical endurance	Panel space requirements - in. (mm)		
						Height	Width	Depth <sup>①</sup>
CFS361C5	30	CC	100kA	6000	10000	4.56 (116)	3.78 (96)	6.00 (152)
CFS361J5	30	J	100kA	6000	10000	4.56 (116)	4.15 (105)	6.00 (152)
CFS361JN	30	J	200kA	6000	10000	5.35 (136)	5.89 (150)	6.00 (152)
CFS361JLN	30	J	200kA	6000	10000	5.35 (136)	5.89 (150)	6.00 (152)
CNFS361	30	None	65kA <sup>②</sup>	6000	10000	4.56 (116)	3.78 (96)	6.00 (152)
CFS362JN1	60	J	100kA	6000	10000	5.35 (136)	5.89 (150)	6.00 (152)
CFS362JN	60	J	200kA	6000	10000	7.32 (186)	5.89 (150)	6.00 (152)
CFS362JLN	60	J	200kA	6000	10000	7.32 (186)	5.89 (150)	6.00 (152)
CFS363JN	100	J	200kA	6000	10000	7.32 (186)	5.89 (150)	6.00 (152)
CFS363JLN	100	J	200kA	6000	10000	7.32 (186)	5.89 (150)	6.00 (152)
CFS364JN	200	J	200kA	6000	8000	11.46 (291)	7.72 (196)	6.00 (152)
CFS365JN	400	J	200kA	1000	6000	15.35 (390)	10.19 (259)	8.00 (203)
CFS366J	600	J	200kA	1000	5000	11.81 (300)	14.33 (364)	11 (280)
CFS466J	600	J	200kA	1000	5000	11.81 (300)	18.03 (458)	11 (280)
CFS367L	800	L	200kA	500	3500	11.81 (300)	14.33 (364)	11 (280)
CFS467L	800	L	200kA	500	3500	11.81 (300)	18.03 (458)	11 (280)

4  
DISCONNECT SWITCHES

## Wire ranges line & load lugs

Switch	Amperage Rating	Wire size (75° C)
CFS361J5	30	(1)#14-10
CFS361C5	30	(1)#14-10
CNFS361	30	(1)#14-10
CFS361JN	30	(1)#14-6
CFS362JN1	60	(1)#14-6
CFS362JN	60	(1)#12-1
CFS363JN	100	(1)#12-1
CFS364JN	200	(1)#3/0
CFS365JN	400	(1)600MCM
CFS366J	600	(2)350 MCM
CFS367L	800	(2)600 MCM

## Auxiliary contact capability when an NFPA79 kit is used

Switch	NFPA79 kit	Aux contacts that can be installed
CNFS361	CFSNFPA1	(2) Total, CFS AUX1NO or CFS AUX1NC
CFS361C5		
CFS361J5		
CFS361JN	CFSNFPA2N	(2) Total, CFS AUX1NO or CFS AUX1NC <sup>③</sup>
CFS362JN1		
CFS362JN		
CFS363JN		
CFS364JN		
CFS365JN	CFSNFPA3N	(2) Total, CFS AUX1NO or CFS AUX1NC <sup>③</sup>

① Minimum dimensions from mounting surface to inside of cover. Dimensions shown can be decreased if aux contacts are not required.

② CNFS361 is rated 65kA when protected by 30A max. Class J or CC fuses.

③ For additional auxiliary contacts use side mounted CFS11AUX or CFS22AUX.

# Disconnect Switches

## Type CNFS Switches, Shafts And Handles

### Type CNFS Compact Non-Fusible Switches

General Information

#### Description

Siemens Type CNFS compact non-fusible switches meet UL/CSA requirements for both main and branch circuit applications. They are available in 30-800A, 3-pole switches and are all rated 600VAC maximum.

All are open style, designed to be panel mounted and are UL listed under file number #E121152 or #E68312 and CSA certified under file number #222227. A variety of door mounted rotary operators are available with Type 1, 3R, 12 or 4/4X ratings.

These non-fusible switches are UL listed under file #E201138 and CSA certified under file #112964. They also conform to IEC standard 60947-3.

#### Catalog Numbering System

##### CNFS Switches

Compact Non-Fusible Switch

- Number of poles 3 = 3
- Max. Voltage Rating 6 = 600V
- Ampere rating
  - 1 = 30A
  - 2 = 60A
  - 3 = 100A
  - 4 = 200A
  - 5 = 400A
  - 6 = 600A
  - 7 = 800A
- Design type
  - N = Compact design

CNFS 3 6 1 N



# Disconnect Switches

## Type CNFS Compact Non-Fusible Switches

## Features And Ordering Information

### Features

- 30 - 800A ratings
- UL Listed under file #E201138 & CSA Certified under file #112964 or #703166
- Options to have door mounted pistol handles with defeatable cover interlock or direct mounted handles.
- Meets UL 98 requirements
- Compact size
- All short circuit protection ratings require the use of Class J fuses in the circuit.
- Load break and horsepower rated
- Quick make and break operation
- All external handles and direct handles for 600-800A switches are padlockable with up to (3) padlocks with 5/16" hasps in the OFF position. Direct handles for 30-100A switches are padlockable with (1) padlock with 3/16" hasps in the OFF position.
- All switches are able to be panel mounted. Catalog numbers CNFS361N, CNFS362N, & CNFS363N can also be DIN-rail mounted and can either be front or side operated with standard pistol handles.
- Handles are available in Type 1, 3R, 4/4X & 12 ratings

Shaft



Handle



Lugs/Accessories



### Ordering information

1. Select the panel mounted switch required based on Ampere, HP and AIC requirements. Switches with a right hand mechanism are standard.
2. Select handle based on environmental rating required.
3. For door mounted handles, select operating shaft based on enclosure depth. For enclosure depths of 9.00" or less from panel mounting surface to inside of door use up to 200 mm long shafts. From 9.00" to 13.00" use up to 320 mm long shafts. For deeper enclosures use up to 400 mm long shafts. For direct mount handles, no shaft is needed.
4. Line & load lugs are provided as standard on 30-100A switches. Terminal kits are available for 200-800A switches if needed.
5. Auxiliary contacts are available if needed. Each switch will accept up to (2) aux contact modules, containing (2) contacts in each.
6. 30-100A Series N switches are designed to prevent inadvertent contact with live parts and shields are not required but are offered as terminal shrouds. 100-400A switches are not supplied with terminal shields. They are available as separate field installed kits for both line and load terminals by amperage rating. Line side terminal screens are provided for 600-800A switches.

Note: Be sure to check shaft and handle compatibility with the switch selected by using information provided in the selection tables.

# Disconnect Switches

## Type CNFS Compact Non-Fusible Switches

Shaft and Handle Selection

### Type CNFS compact non-fusible switches

Switch Ampere Rating	Catalog Number	Max Horsepower Ratings			Short Circuit Rating	
		240V 3Ø AC	480V 3Ø AC	600V 3Ø AC	@ 480VAC	@ 600VAC
30	CNFS361N <sup>①</sup>	10	20	25	100	100
60	CNFS362N <sup>①</sup>	20	40	50	100	100
100	CNFS363N <sup>①</sup>	20	50	50	100	25
200	CNFS364N <sup>②</sup>	75	150	200	200	200
400	CNFS365N <sup>②</sup>	125	250	350	200	200
600	CNFS366N <sup>②</sup>	200	400	350	200	200
800	CNFS367N <sup>②</sup>	200	500	500	100	100



### Direct mount rotary handles for compact non-fusible switches

Catalog Number	Color	Use with compact non-fusible switches
CNFSHD1	Blue	CNFS361N, CNFS362N, CNFS363N
CNFSHD2	Black	CNFS364N, CNFS365N
CNFSHD3	Black	CNFS366N, CNFS367N

### Operating shafts for compact non-fusible switches

Catalog Number	Shaft length in. (mm)	Switch and handle compatibility
CNFSS52001	7.9 (200)	5mm x 5mm for use with CNFS361N, CNFS362N and CNFS363N switches and with "CNFSH5" handles only
CNFSS53201	12.6 (320)	
CNFSS54001	15.7 (400)	
CFSS10200HN	7.9 (200)	10mm x 10mm for use with "CFSH10" handles and with CNFS364N and CNFS365N switches only
CNFSS103202	12.6 (320)	
CFSS10400HN	15.7 (400)	
CNFSS152003	7.9 (200)	15mm x 15mm for use with "CFSH12" handles and with CNFS366N and CNFS367N switches only
CNFSS153203	12.6 (320)	
CNFSS154003	15.7 (400)	



### Compact rotary operating handles for non-fusible switches – door mounted

Catalog Number	Color	CSA/UL Type	Operating shaft compatibility	Use with non-fusible compact switches
CNFSH5BP121	Black	NEMA 1, 3R, 12	CNFSS52001, CNFSS53201, CNFSS54001	CNFS361N, CNFS362N, CNFS363N
CNFSH5RP121	Red/Yellow	NEMA 1, 3R, 12		
CNFSH5BP41	Black	NEMA 4/4X		
CNFSH5RP41	Red/Yellow	NEMA 4/4X		
CFSH10BL12N	Black	NEMA 1, 3R, 12	CFSS10200HN, CNFSS103202, CFSS10400HN	CNFS364N, CNFS365N
CFSH10RL12N	Red/Yellow	NEMA 1, 3R, 12		
CFSH10BL4N	Black	NEMA 4/4X		
CFSH10RL4N	Red/Yellow	NEMA 4/4X		
CFSH12BL12	Black	NEMA 1, 3R, 12	CNFSS152003, CNFSS153203, CNFSS154003	CNFS366N, CNFS367N
CFSH12RL12	Red/Yellow	NEMA 1, 3R, 12		
CFSH12BL4	Black	NEMA 4/4X		
CFSH12RL4	Red/Yellow	NEMA 4/4X		



① Line and load lugs are included.

② Line and load lugs are not included. Order from table on following pages if needed.

③ All switches can be rotated 180° for left hand operation as standard.

④ Compact pistol grip design (2.75" long) with defeatable cover interlock. Cover can be opened when handle is padlocked in the OFF position.

⑤ Defeatable cover interlock provided. Cover cannot be opened when handle is in the OFF position.

⑥ Flange mounting is not available for non-fusible switches.

# Disconnect Switches

## Type CNFS Compact Non-Fusible Switches

Shaft and Handle Selection

### Auxiliary contacts for use with non-fusible switches

Catalog Number	Number of Contacts	Use with Non-fusible Contact Switches
CNFS1AUX1	1 Normally Open + 1 Normally Closed	CNFS361N, CNFS362N, CNFS363N
CNFS2AUX1	2 Normally Closed	
CNFS1AUX2	1st Auxiliary Contact: 1 Normally Open + 1 Normally Closed	CNFS364N, CNFS365N, CNFS366N, CNFS367N
CNFS2AUX2	2nd Auxiliary Contact: 1 Normally Open + 1 Normally Closed	



### Terminal shrouds for use with non-fusible switches

Catalog Number	Shroud Location	Use with Non-fusible Contact Switches
CNFTS100	Top and Bottom	CNFS361N, CNFS362N, CNFS363N
CNFTSC200T	Top	CNFS364N
CNFTSC200B	Bottom	
CNFTSC400T	Top	CNFS365N
CNFTSC400B	Bottom	
CNFTSC600B	Bottom	CNFS366N
CNFTSC800B	Bottom	CNFS367N



### Terminal lug kits for use with non-fusible switches

Catalog Number	Wire Sizes	Use with Non-fusible Contact Switches
Included	#10-2/0	CNFS361N, CNFS362N, CNFS363N
CFSL200	#6-300MCM	CNFS364N
CFSL400N	#2-600MCM	CNFS365N
CNFSL400D	#6-350MCM, 2 wires per lug	CNFS365N
CFSL400	#6-350MCM, 2 wires per lug	CNFS366N, CNFS367N <sup>①</sup>



① 2 kits needed for 800A, total 12 lugs to cover line and load sides.



# Disconnect Switches

## Type HCP Switchboard Units

Selection

### Features

- CSA certified under file #24563 and UL Listed under file #E6849 Vol 1, Sect. 8
- 400-1200A ratings
- Visible contacts
- Field installable shunt trip and auxiliary switch accessory kits
- Installs in existing Siemens switchboards and power panelboards
- Suitable for use on systems with up to 200,000A available fault current, RMS symmetrical when equipped with Class J or Class L fuses
- Group mounts with other 30A through 600A switches, and 100 through 1200 amp frame breakers
- Allows 800A and 1200A switches in standard 38" wide distribution sections in either main or branch configurations
- 16 1/4" mounting height is the smallest 1200A design in the industry, allowing up to 4 units in one vertical section
- Field reversible horizontal mounting design for left or right hand cabling
- Handle can be padlocked in the OFF position with up to three padlocks with 5/16" hasps. A cover padlocking provision is also supplied



### 3-Pole, Horizontal Mount<sup>①</sup>

Catalogue Number	Max. Ampere Rating	Max. AC Voltage Rating <sup>②</sup>	Fuse Class	Dimensions - Inches*			Horsepower Rating						
							240V		480V		600V		250V DC
				H	W	D	Std	Max	Std	Max	Std	Max	
HCP367HJ400	1400	600	J	16.25	17.22	7.38	150	125	100	250	125	350	40
HCP367HJ600	1600	600	J	16.25	17.22	7.38	175	200	150	400	200	400	40
HCP327HT	800	240	T	16.25	17.22	7.38	100	250	—	—	—	—	50
HCP367H	1800	600	L	16.25	17.22	7.38	100	250	200	500	250	500	50
HCP328HT	1200	240	T	16.25	17.22	7.38	100	250	—	—	—	—	50
HCP368H	1200	600	L	16.25	17.22	7.38	100	250	200	500	250	500	50

### 3-Pole, Vertical Mount

HCP367VJ400	1400	600	J	17	16.25	7.38	150	125	100	250	125	350	40
HCP367VJ600▲	1600	600	J	17	16.25	7.38	175	200	150	400	200	400	40
HCP327VT	800	240	T	17	16.25	7.38	100	250	—	—	—	—	50
HCP367V	1800	600	L	17	16.25	7.38	100	250	200	500	250	500	50
HCP328VT	1200	240	T	17	16.25	7.38	100	250	—	—	—	—	50
HCP368V	1200	600	L	17	16.25	7.38	100	250	200	500	250	500	50
HCP367HJ400	1400	600	J	16.25	17.22	7.38	150	125	100	250	125	350	40
HCP367HJ400	1400	600	J	16.25	17.22	7.38	150	125	100	250	125	350	40
HCP367HJ400	1400	600	J	16.25	17.22	7.38	150	125	100	250	125	350	40

## Accessories

### Terminal Connectors (one lug per kit)

Ampere Rating	Catalogue Number	Connector Wire Range
400-600A	TA2K500	(2) #1 AWG-500 kcmil (Cu or Al)
400-600A	TC2K500	(2) #1 AWG-500 kcmil (Cu only)
400-800A	TA3K500	(3) #1 AWG-500 kcmil (Cu or Al)
400-800A	TC3K350	(3) #1 AWG-350 kcmil (Cu only)
800-1200A	TA4H500	(4) #2 AWG-500 kcmil (Cu or Al)
800-1200A	TA3H750	(3) 500-750 kcmil (Cu or Al)

### Auxiliary Switch Kits

Contact Ampere Rating	Maximum Voltage		Switch Mounting	Contacts	Catalog Number
	AC	DC			
15A	480	125	Left Pole	1NO/1NC	A01HCPL4▲
15A	480	125	Right Pole	1NO/1NC	A01HCPRA

### Shunt Trip Kit

Control Voltage		Catalogue Number
AC	DC	
120	—	HCPST120
240	—	HCPST240▲
277	—	HCPST277
480	—	HCPST480▲

### Switchboard Connection Strap Kit<sup>①</sup>

Switch Ampere Rating	Catalogue Number
400-1200A	F6162DSCAN

### T Fuse Adapter Kits (one per pole)

Catalogue Number	Description
TFAK72	800A, 300V AC
TFAK75	800A, 600V AC
TFAK82	1200A, 300V AC

### HCP Replacement Handle Kit (For use on all HCP switches)

SW Ampere Rating	Catalogue Number
400-1200A	HCPHK

### Compression Lug Adapter Kit

The use of this kit provides for the mounting of up to four lugs per phase. Each kit accepts lugs with (2) 3/8" diameter mounting holes on 1" centers. One kit per pole line or load is required. Lugs are not provided.

Ampere Rating	Catalogue Number
400-1200A	HCPCLP

\*For inches / millimeters conversion, multiply inches by 25.4.

▲ Built to order. Allow 6-8 weeks for delivery.  
<sup>①</sup> For horizontal mounting only in either 38" wide min switchboards or S5/F2 power panelboards.

<sup>②</sup> Both 240 and 600V AC switches are also rated 250V DC max.

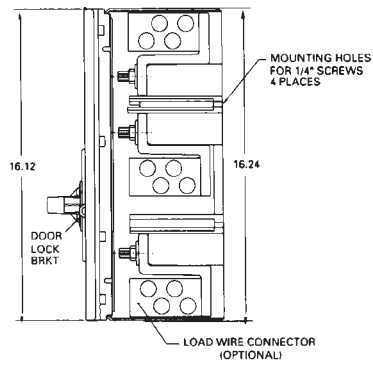
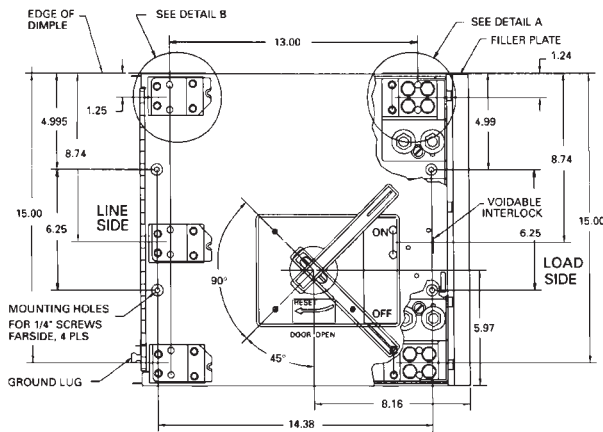
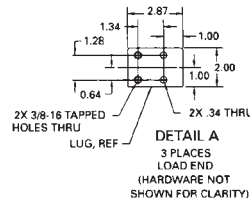
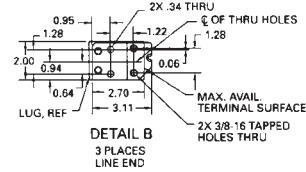
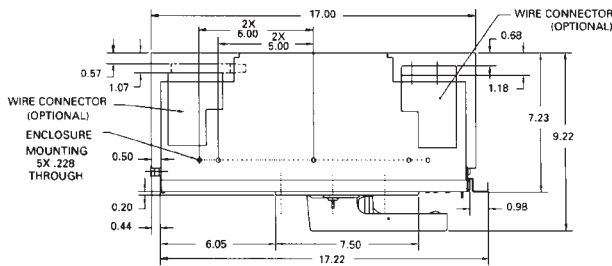


# Disconnect Switches

## Type HCP Switchboard Units

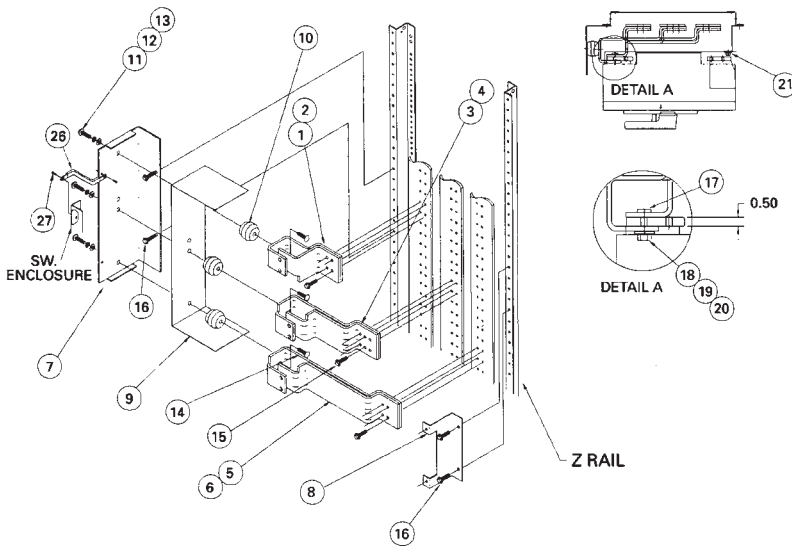
Dimensions

### Horizontal Mount Drawing



4  
DISCONNECT SWITCHES

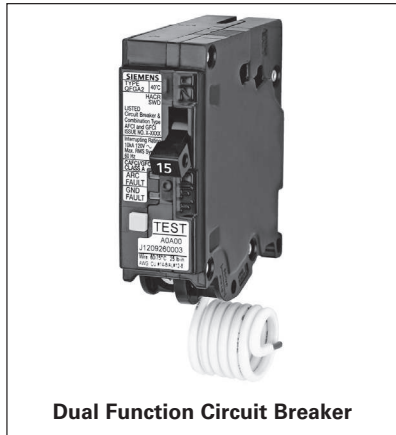
### Group Mounting Assembly (Horizontal Mount Only)



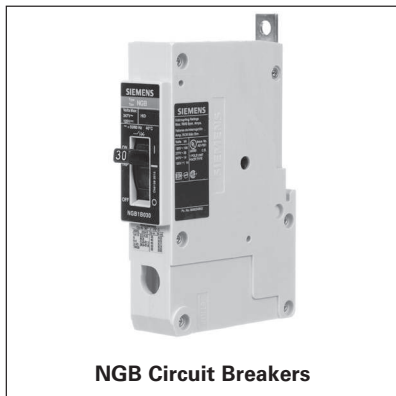
Note: Right exit shown, rotate 180° for left exit  
Note: Items 26 & 27 are used to ground the switch enclosure (Route bonding wire along flange)

Item	Parts Supplied in Connection Strap Kit Cat. No. F6162D	Qty.
1-2	A/C Ø Strap (Short)	1ea.
3-4	B Ø Strap	1ea.
5-6	A/C Ø Strap (Long)	1ea.
7-8	Switch Mounting Bracket	1ea.
9	Insulation	1
10	1-3/8" Insulator	3
11	3/8-16 X 3/4" HHMS	3
12	3/8" Lock Washer	3
13	3/8" Flat Washer	3
14	3/8-16 X 3/4" RHSNB	3
15	Strap Bus Hardware Kit	2
16	1/4-28 X 3/8" SHWHSW	4
17	5/16-18 Insert	6
18	5/16-18 X 1" SRHMS	6
19	5/16 Flat Washer	6
20	5/16 Lock Washer	6
21	1/4-20 X 1" SRHMS	2
26	Ground Bracket	1
27	10-32 X 1/4" SHWHSW	2

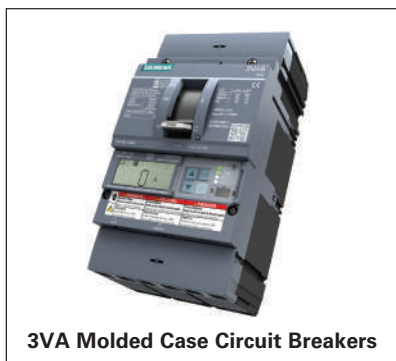
## Contents



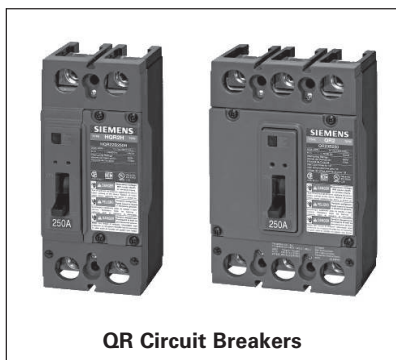
Dual Function Circuit Breaker



NGB Circuit Breakers



3VA Molded Case Circuit Breakers



QR Circuit Breakers

What's New in Circuit Breakers	5-3
Introduction	5-4
Catalogue Numbering System	5-5 – 5-7
Reference Guides	5-8 – 5-19
<b>Panelboard Mounted Circuit Breakers</b>	
BL 240V Arc Fault and Ground Fault Breakers	5-20
BL 240V Breakers	5-21
BQD 100A Frame 480/277V Breakers	5-22
GB2 125A Frame 600/347V Breakers	5-23
GB 125A Frame 600/347V Breakers	5-24
Internal Accessories for BQD and NGB Breakers	5-25
3VA41 125A Frame 600/347V Breakers	5-26 – 5-27
<b>General Application Circuit Breakers</b>	
BQ 240V Breakers	5-28
BQXD 240V DIN Rail Mounting Breakers	5-29
QR250 Frame 240V Breakers	5-30
CQD 100A Frame 480/277V Breakers	5-31
GG 125A Frame 600/347V Breakers	5-32
Internal Accessories for CQD and NGG Breakers	5-33
<b>3VA Molded Case Circuit Breakers</b>	
Catalog Numbering System	5-34 – 5-35
3VA51 125A Thermal-magnetic Trip Circuit Breakers	5-36 – 5-39
3VA61 150A Electronic Trip Circuit Breakers	5-40 – 5-43
3VA52 250A Thermal-magnetic Trip Circuit Breakers	5-44 – 5-47
3VA62 250A Electronic Trip Circuit Breakers	5-48 – 5-51
3VA53 400A Thermal-magnetic Trip Circuit Breakers	5-52 – 5-53
3VA63 400A Electronic Trip Circuit Breakers	5-54 – 5-57
3VA54 600A Thermal-magnetic Trip Circuit Breakers	5-58 – 5-59
3VA64 600A Electronic Trip Circuit Breakers	5-60 – 5-63
3VA55 800A Thermal-magnetic Trip Circuit Breakers	5-64
3VA65 800A Electronic Trip Circuit Breakers	5-65 – 5-67
3VA66 1000A Electronic Trip Circuit Breakers	5-68 – 5-69
3VA Molded Case Switch and Motor Circuit Protector	5-70 – 5-71
3VA Internal Accessories	5-72
3VA Breaker Operators	5-73 – 5-78
3VA Connection Technology	5-79 – 5-87
3VA Plug-in and Draw-out Technology	5-88 – 5-90
3VA Communication and Testing/Commissioning Devices	5-91 – 5-94
3VA Accessories and Electrical Requirements	5-95 – 5-100
<b>Sentron Thermal Magnetic and Electronic Circuit Breakers</b>	
ED 125A Frame 600V Breakers and Internal Accessories	5-101 – 5-103
FD 250A Frame 600V Breakers and Internal Accessories	5-104 – 5-106
JD/SJD 400A Frame Breakers and Internal Accessories	5-107 – 5-110
LD/SLD 600A Frame Breakers and Internal Accessories	5-111 – 5-114
LMD 800A Frame Breakers and Internal Accessories	5-115 – 5-117
MD/SMD 800A Frame Breakers and Internal Accessories	5-118 – 5-121
ND/SND 1200A Frame Breakers and Internal Accessories	5-122 – 5-125
PD/SPD 1600A Frame Breakers and Internal Accessories	5-126 – 5-128
RD 2000A Frame Breakers and Internal Accessories	5-129
Magnetic Trip Only – ETI Motor Circuit Protectors	5-130 – 5-132
Adjustable Instantaneous Magnetic Trip Settings	5-133 – 5-135
Molded Case Switch – Circuit Disconnect	5-136
Digital Solid State Sentron Sensitrip IV Series Trip Units	5-137 – 5-138
Enclosed Circuit Breakers	5-139 – 5-146

(continued on next page)

## Contents

---

Lug Information	5-147 – 5-149
Breaker Modifications	5-150
Internal Accessories – Feature Combinations	5-151 – 5-153
External Accessories	5-154 – 5-159
Unusual Operating Conditions	5-160 – 5-161
<b>VL Thermal Magnetic and Electronic Circuit Breakers</b>	
Technical Overview	5-162 – 5-163
Trip Unit Overview	5-164 – 5-165
DG 150A Frame and Internal Accessories	5-166 – 5-169
FG 250A Frame and Internal Accessories	5-170 – 5-173
JG 400A Frame and Internal Accessories	5-174 – 5-177
LG 600A Frame and Internal Accessories	5-178 – 5-181
MG 800A Frame and Internal Accessories	5-182 – 5-185
NG 1200A Frame and Internal Accessories	5-186 – 5-189
PG 1600A Frame and Internal Accessories	5-190 – 5-192
Molded Case Switch	5-193
Motor Circuit Protector	5-194
External Accessories	5-195 – 5-209
Accessory Locations	5-211
Suffix for Factory Mounted Internal Accessories	5-212
Technical Data	5-213 – 5-214
Unusual Operating Conditions	5-215 – 5-216
<b>General Technical</b>	
Series Short Circuit Ratings	5-217 – 5-247
Sentron IEC 947-2 AC Interrupting Ratings	5-248
Typical Specifications	5-249
Superseded Circuit Breakers	5-250 – 5-252

# Molded Case Circuit Breakers

## Introduction

What's **NEW** in molded case circuit breakers:

### New Sentron Sensitrip

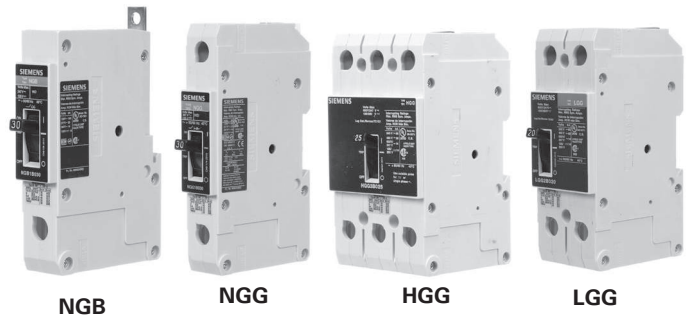
Sentron Sensitrip IV ETU Circuit Breakers with Integrated DAS / Maintenance Mode

Design enhancements include:

- Upgraded ETU
- Frame ratings from 400A to 1600A
- Identical footprint, kAIC ratings and accessory offering as legacy Sensitrip III ETU breakers to ease integration / retrofit
- Maintenance mode versions require customer-supplied 24V external power supply, maintenance switch and light



The Siemens GG, and xGB2 circuit breaker is a compact, industrial design thermal magnetic breaker with valuable features for the global markets. These features include a design that meets multi-national standards, is suitable for DIN rail or base mounting without the need for adapters, and includes CSA Certified / UL Listed field installable accessories. The GG, and xGB2 also has an over center toggle mechanism that is trip free and uses repulsion contact arm construction. Therefore, should a short circuit or tripping condition occur, the contacts are forced apart and the breaker cannot be held closed by means of the handle.



NGB

NGG

HGG

LGG

### The New Siemens QR Circuit Breaker

Implemented in loadcentres, panelboards, switchboards, meter centres, and modular metering, the new QR breaker is the same form-factor/mounting as QJ breaker for easy retrofit.

Design enhancements include:

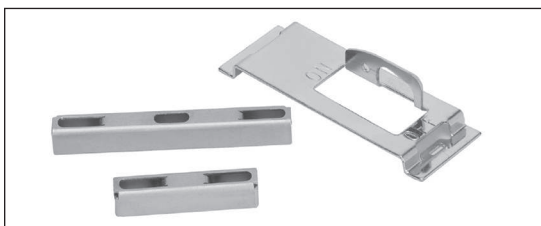
- Trip unit ratings from 100A to 250A.
- Field installable internal accessories – shunt trip, aux switch or shunt/aux combo.
- Two accessory pockets in 3-pole breakers. One accessory pocket in 2-pole breakers.
- High in-rush current capability (450%).
- Push-to-trip button.



### The new Siemens 3VA Molded Case Circuit Breakers



- 125A - 800A Thermal-Magnetic Circuit Breakers
- 150A - 1000A Electronic Circuit Breakers
- Extensive and flexible accessories
- Common internal accessories for the entire breaker family
- Power metering with the series-8 LCD electronic trip
- Illuminated rotary handles show switch position
- Smaller footprint than Sentron or VL breakers
- Enhanced Tools and Resources



**BOD and NGB, HGB, LGB handle ties** are now released for use where single pole breakers are using shared neutrals and must be locked out simultaneously.

# Molded Case Circuit Breakers

## Introduction

### Ordering

In the FD through RD frames, you may order molded case circuit breakers three basic ways:

1. As separately ordered frames, trip units and lugs
2. As frame, trip unit and lugs ordered as one catalog number and shipped unassembled or assembled
3. As Frame and Trip Unit shipped assembled and with the trip unit made non-removable, in compliance with UL 489 / CSA C22.2 No. 5 requirements that to be reverse fed the circuit breaker must not have an interchangeable trip unit.

These two options are described in the following:

### Components Ordered Separately

To get the components for a 3-pole, 400 Amp standard interrupting circuit breaker, you would order the frame (JD63F400), the trip unit (JD63T400) and six lugs (TA2J6500). This option is normally useful only if you stock and use large volumes of product and wish to reduce your inventory cost. You may stock, for example, a smaller number of frames (JD63F400) and a variety of trip units (JD63T300, JD63T350, etc.) and assemble breakers as you need them.

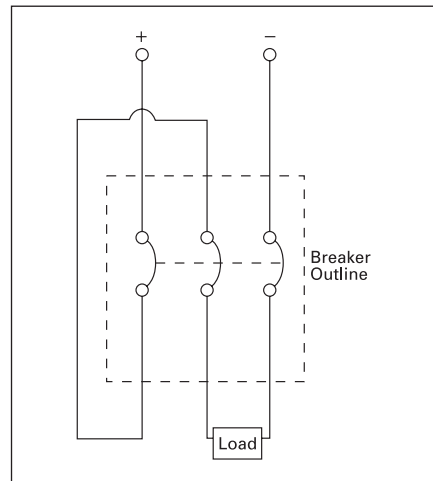
### Frame, Trip Unit and Lugs Ordered Together

If you order the catalog number JD63B400, you will receive a frame, a trip unit and 6 lugs in separate packages. By suffixing this number with "L" (e.g. JD63B400L), you will receive frame, trip unit and lugs assembled in one container. Pursuant to CSA C22.2 No. 5-13 / UL 489, a product ordered thus will have the markings "LINE" and "LOAD", and may not be "reverse fed" (with power flowing from the "OFF" end of the breaker toward the "ON" end).

### Non-Interchangeable Trip Breakers

If you place an "X" after the frame size designator (e.g. JXD63B400), you will receive a frame and trip unit assembled, with the trip unit made non-removable. If you suffix an "L" to this catalog number (e.g. JXD63B400L), you will receive the breaker, non-removable trip unit and lugs assembled. Unless you anticipate a specific need to change the breaker's ampere rating in the future, this is the preferred ordering method, as the products are assembled to Siemens' specifications in our factories. These breakers are suitable for use reverse fed according to CSA C22.2 No. 5-13 / UL 489, since the trip unit is not removable.

The smaller frames (QJ, ED and below) do not have removable trip units, and consequently are shipped only as assembled products. To add lugs, see the ordering instructions on each product's catalog page.

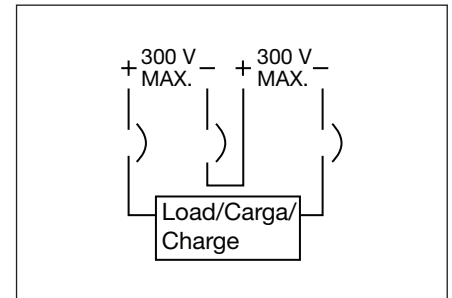


500V DC Wiring Configuration

### Connecting Breakers for DC Application

Most Siemens thermal magnetic trip MCCBs are applicable on direct current (dc) systems. Generally, for 250 V dc systems a two pole breaker is used, with one pole on each leg of the supply circuit. For three pole breakers applied on 500 V undergrounded DC systems, it is important to connect the power supply "zig-zag" through the breaker as shown in the figure below. This assures that the Voltage between phases on the breaker terminals is uniformly distributed.

See below for an alternative connection diagram. For a list of Sentron breakers with the DC ratings, please refer to pages 5-8 - 5-19.



# Molded Case Circuit Breakers

## Catalogue Numbering System

## Selection/Application

If used on 250A frame and above means non-interchangeable trip breaker with factory assembled frame and trip. Solid state trip and current limiting (S or C in first character) are non-interchangeable only, and the "X" is omitted.

### Trip Unit Type

- Omitted – Thermal-Magnetic
- S — Sensitrip® Electronic Trip

### Sentron Series Type/Interrupting Range

- Omitted – Standard Rating
- H — High IC Rating
- HH — Extra High IC Rating
- C — Highest IC Rating and Current Limiting

### Frame Identifier

- |               |             |
|---------------|-------------|
| E — Type ED   | M — Type MD |
| F — Type FD   | N — Type ND |
| J — Type JD   | P — Type PD |
| L — Type LD   | R — Type RD |
| LM — Type LMD |             |

### Maximum Voltage

- 2 — 240 Vac
- 4 — 480 Vac
- 6 — 600 Vac

### Number of Poles

- 1
- 2
- 3
- 9 used to indicate the max. functions for an electronic trip circuit breaker (always 3 poles)

### (Specific Application Type)

- B — Standard 40°C Breaker
- M — Calibrated for 50°C Application
- F — Frame Only
- T — 40°C Trip Unit Only
- W — 50°C Trip Unit Only
- S — Molded Case Switch
- L — Low Instantaneous Range ETI Breaker
- A — Standard Range ETI Breaker
- H — High Instantaneous Range ETI Breaker

### Maximum Continuous Current Rating

- ED Frame — 015, 020, 025, 030, 035, 040, 045, 050, 060, 070, 080, 090, 100, 110, 125
- FD Frame — 070, 080, 090, 100, 110, 125, 150, 175, 200, 225, 250
- JD Frame — 200, 225, 250, 300, 350, 400
- LD Frame — 250, 300, 350, 400, 450, 500, 600
- LMD Frame — 500, 600, 700, 800
- MD Frame — 500, 600, 700, 800
- ND Frame — 900, 100 (1000A), 120 (1200A)
- PD Frame — 120 (1200A), 140 (1400A), 160 (1600A)
- RD Frame — 160 (1600A), 180 (1800A), 200 (2000A)

### Suffix

- L — where applicable indicates a breaker shipped with line/loads lugs installed
- A — used with a switch to show automatic self protection
- Y — 400 Hertz
- H — 100% rated
- P — Load side lugs only
- NAV — Navel Ratings

**NOTE:**  — Position omitted if not used.

### Applicable Standards

- CSA-C22.2 No. 5, C22.2 No. 14
- UL489 — Molded Case Circuit Breakers and Circuit Breaker Enclosures.
- UL486A — Wire Connectors and

### NOTE:

(A) Molded case circuit breakers are designed and tested in accordance to applicable portions of UL 489 and CSA22.2 No. 5 and meet application requirements of the National Electric Code. Unless marked otherwise, circuit breakers are 80% duty rated.

- Solderless Lugs for use with copper wire
- UL486B — Wire Connectors and Solderless Lugs for use with aluminum wire
- UL943 — Ground Fault Interrupters (for personnel protectors)

(B) Molded case circuit breakers are to be connected with 60 or 75°C wire for circuit breakers having a rated ampacity of 100 amperes or less. Circuit breakers having a rated ampacity greater than 100 amperes shall only be cabled with 75°C cable unless otherwise indicated on the circuit breaker label. Exceptions to this rule are outlined in the article 110-14 C(1)(2) of the 2005 National Electric Code and Canadian Electric Code.

- UL1087 — Molded Case Switches
- UL50 — Cabinets and Boxes
- UL869 — Service Equipment
- NEMA AB-1 — Molded Case Circuit Breakers and Molded Case Switches

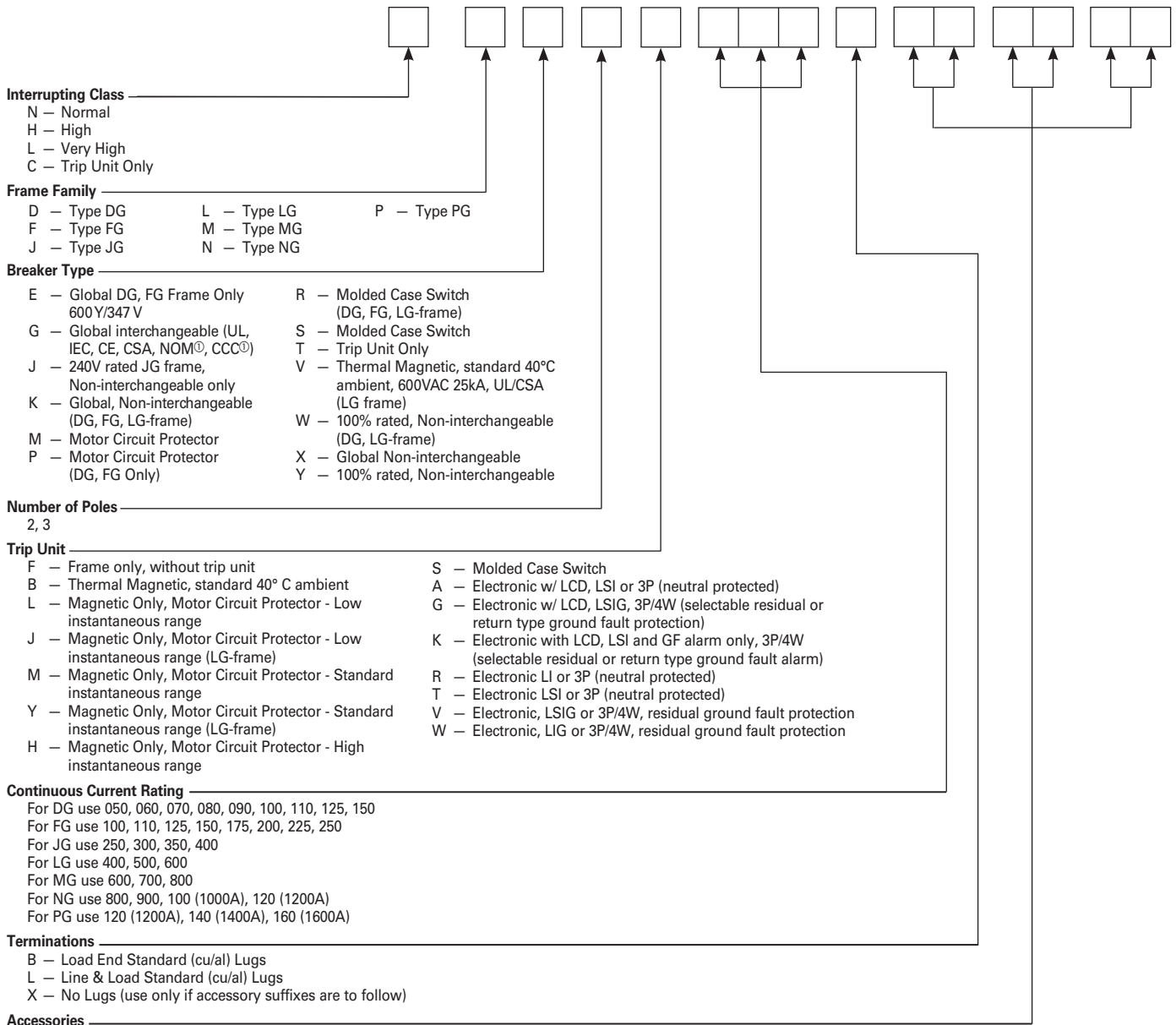
- ① Interrupting ratings are not limited to the values or groups of values listed. However, the values listed are minimum values for the class specified.
- ② Single-unit or duplex construction must be specified.
- ③ Use minimum frame size for ampere rating.



# Molded Case Circuit Breakers

## Catalogue Numbering System

## Selection/Application



### Interrupting Class

- N – Normal
- H – High
- L – Very High
- C – Trip Unit Only

### Frame Family

- D – Type DG
- F – Type FG
- J – Type JG
- L – Type LG
- M – Type MG
- N – Type NG
- P – Type PG

### Breaker Type

- E – Global DG, FG Frame Only 600Y/347 V
- G – Global interchangeable (UL, IEC, CE, CSA, NOM<sup>®</sup>, CCC<sup>®</sup>)
- J – 240V rated JG frame, Non-interchangeable only
- K – Global, Non-interchangeable (DG, FG, LG-frame)
- M – Motor Circuit Protector
- P – Motor Circuit Protector (DG, FG Only)
- R – Molded Case Switch (DG, FG, LG-frame)
- S – Molded Case Switch
- T – Trip Unit Only
- V – Thermal Magnetic, standard 40°C ambient, 600VAC 25kA, UL/CSA (LG frame)
- W – 100% rated, Non-interchangeable (DG, LG-frame)
- X – Global Non-interchangeable
- Y – 100% rated, Non-interchangeable

### Number of Poles

- 2, 3

### Trip Unit

- F – Frame only, without trip unit
- L – Magnetic Only, Motor Circuit Protector - Low instantaneous range
- J – Magnetic Only, Motor Circuit Protector - Low instantaneous range (LG-frame)
- M – Magnetic Only, Motor Circuit Protector - Standard instantaneous range
- Y – Magnetic Only, Motor Circuit Protector - Standard instantaneous range (LG-frame)
- H – Magnetic Only, Motor Circuit Protector - High instantaneous range
- S – Molded Case Switch
- A – Electronic w/ LCD, LSI or 3P (neutral protected)
- G – Electronic w/ LCD, LSIG, 3P/4W (selectable residual or return type ground fault protection)
- K – Electronic with LCD, LSI and GF alarm only, 3P/4W (selectable residual or return type ground fault alarm)
- R – Electronic LI or 3P (neutral protected)
- T – Electronic LSI or 3P (neutral protected)
- V – Electronic, LSIG or 3P/4W, residual ground fault protection
- W – Electronic, LIG or 3P/4W, residual ground fault protection

### Continuous Current Rating

- For DG use 050, 060, 070, 080, 090, 100, 110, 125, 150
- For FG use 100, 110, 125, 150, 175, 200, 225, 250
- For JG use 250, 300, 350, 400
- For LG use 400, 500, 600
- For MG use 600, 700, 800
- For NG use 800, 900, 100 (1000A), 120 (1200A)
- For PG use 120 (1200A), 140 (1400A), 160 (1600A)

### Terminations

- B – Load End Standard (cu/al) Lugs
- L – Line & Load Standard (cu/al) Lugs
- X – No Lugs (use only if accessory suffixes are to follow)

### Accessories

#### Auxiliary and Alarm Switch Combinations

- | Suffix | Description  |
|--------|--|
| A1     | 1 Alarm (includes 1NO & 1NC switch with a 2 Aux./1 Alarm Base, for frames DG to LG)  |
| A2     | 2 Aux (1NO & 1NC switch with a 3 Aux. Base, for frames DG to LG)                     |
| A3     | 2 Aux + 1 Alarm (2NO & 2NC switches with a 2 Aux./1 Alarm Base, for frames DG to LG) |
| A3     | 2 Aux + 2 Alarm (2NO & 2NC switches with a 2 Aux./2 Alarm Base, for frames MG to PG) |
| A4     | 4 Aux (2NO & 2NC switches with a 4 Aux. Base, for frames MG to PG)                   |

**Note:** A1 and A3 include 1NO and 1NC switch for alarm purposes, only one of these switches may be used as there is only one space for an alarm.

#### Shunt Trips

- |                  |                  |
|------------------|------------------|
| RB – 24 VDC      | RM – 48-60 VAC   |
| RC – 48-60 VDC   | RN – 110-127 VAC |
| RD – 110-127 VDC | RS – 208-277 VAC |
| RE – 250 VDC     | RV – 380-600 VAC |

#### Under Voltage Releases

- |                  |                  |
|------------------|------------------|
| UA – 12 VDC      | UN – 110-127 VAC |
| UB – 24 VDC      | UP – 208 VAC     |
| UC – 48 VDC      | UR – 220-250 VAC |
| UD – 110-127 VDC | US – 277 VAC     |
| UE – 220-250 VDC | UT – 380-415 VAC |
| UG – 60 VDC      | UU – 440-480 VAC |
| UK – 24 VAC      |                  |

LCD = Liquid Crystal Display  
 LI = Long Delay & Instantaneous trip functions  
 LSI = Long Delay, Short Delay, & Instantaneous trip functions  
 LSIG = Long Delay, Short Delay, Instantaneous, & Ground Fault trip functions  
 GF = Ground Fault  
 3P = 3-pole  
 4W = 4-wire

© Select Frames

# VL Circuit Breakers

## Catalogue Numbering System

*Selection*

If ordering factory-installed accessories or special modifications, you must order a 15-digit catalog number. See the examples below for a detailed explanation. The 15 digit number is achieved by placing X's in positions not being occupied by an accessory/modification. Contact Siemens for circuit breakers configured with accessories.

### Auxiliary Switch Example:

**H F G 3 B 2 0 0 L A 2 X X X X**

Standard 9-digit      Aux. Switch      Completes Cat #

### Shunt Trip / UVR Example:

**H F G 3 B 2 0 0 L X X U N X X**

Standard 9-digit      UVR      Completes Cat #

### Shunt Trip / Auxiliary Switch Example:

**H F G 3 B 2 0 0 L A 2 R N X X**

Standard 9-digit      Aux. Switch      Shunt Trip      Completes Cat #

### Non-Interchangeable Trip Breakers Example:

**H F X 3 B 2 0 0 L**

Standard 9-digit

5

MOLDED CASE  
CIRCUIT BREAKERS

# Molded Case Circuit Breakers

## Reference Guide

## Selection/Application

Thermal-Magnetic Trip Breakers

Page	Plug-In Breakers							Panelboard Breakers								
	QT	QP	QPH	HQP	HQPPH	QPJ	BL <sup>®</sup>	BLH	HBL	BQD, BQD6	NGB, NGB2	HGB2	LGB2			
	Refer to Loadcentres Section							5-20	5-20	5-20	5-22	5-23 - 5-24	5-23	5-23		
	Poles	1, 2	1, 2, 3	1, 2, 3	1, 2, 3 <sup>②</sup>	2	2, 3	1,2,3	1,2,3	1,2,3	1,2,3	1,2,3	1,2,3	1,2,3		
	Amperes	15-50	10-125 <sup>③④</sup>	10-125 <sup>③④</sup>	10-125 <sup>③②</sup>	100-225	150-200	10-125	15-125	15-100	15-100	15-125	15-125	15-125		
Ratings	AC	Poles	1 Pole	120/240	120/240	120/240	120/240	120/240	120/240	120/240	120/240	277	347	347	347	
			2 Pole	—	240	240	240	240	240	240	240	240	480/277	600/347	600/347	600/347
			3 Pole	—	240	240	240	240	240	240	240	240	480/277	600/347	600/347	600/347
	Interrupt Ratings	CSA/UL	120V	10,000	10,000	22,000	65,000	—	—	10000	22000	65000	65000	—	—	—
			240V	10,000	10,000	22,000	65,000	100,000	10,000	10000	22000	65000	65000	100000	100000	100000
			277V	—	—	—	—	—	—	—	—	—	14000	—	—	—
			347V	—	—	—	—	—	—	—	—	—	10000	—	—	—
			480/277V	—	—	—	—	—	—	—	—	—	14000	25000	35000	65000
			480V	—	—	—	—	—	—	—	—	—	—	—	—	—
		600/347V	—	—	—	—	—	—	—	—	—	10000	14000	22000	25000	
		600V	—	—	—	—	—	—	—	—	—	—	—	—	—	
		IEC 947-2 50/60 Hz	220/240V	$I_{cu}$	—	—	—	—	—	—	—	—	—	—	—	—
				$I_{cs}$	—	—	—	—	—	—	—	—	—	—	—	—
			380/415V	$I_{cu}$	—	—	—	—	—	—	—	—	—	—	—	—
				$I_{cs}$	—	—	—	—	—	—	—	—	—	—	—	—
500V	$I_{cu}$		—	—	—	—	—	—	—	—	—	—	—	—		
	$I_{cs}$		—	—	—	—	—	—	—	—	—	—	—	—		
DC	125/250 V DC Interrupting Rating	2-Pole	—	—	—	—	—	—	—	—	14000	14000	14000	14000		
		3-Pole	—	—	—	—	—	—	—	—	—	—	—	—		
Dimensions in Inches	Height	10-50A	—	2.87	2.87	—	—	—	3.56	3.56	3.75	4.50	5.00	5.00	5.00	
		10-60A	3.12	—	—	—	—	—	—	—	—	—	—	—	—	
		55-125A	—	3.12	3.12	3.12	3.12	3 <sup>⑤</sup>	3.75	3.75	3.75	4.50	5.00	5.50	5.50	
	Width	1-Pole	1.00	1.00	1.00	1.00	—	—	1.00	1.00	1.00	1.00	1.00	1.00	1.00	
		2-Pole	2.00 <sup>①</sup>	2.00	2.00	2.00	4.00	⑥	2.00	2.00	2.00	2.00	2.00	2.00	2.00	
3-Pole		2.00 <sup>①</sup>	3.00	3.00	3.00	—	3.00 <sup>⑦</sup>	3.00	3.00	3.00	3.00	3.00	3.00	3.00		
Depth	2.06	2.37	2.37	2.37	2.37	2.34	2.37	2.37	2.37	2.69	2.71	2.71	2.71			
Overcurrent Devices	Thermal and Fixed magnetic Trip		√	√	√	√	√	√	√	√	√	√	√	√		
	Thermal and Adjustable Magnetic trip		—	—	—	—	—	—	—	—	—	—	—	—		
	Adjustable Magnetic trip only		—	—	—	—	—	—	—	—	—	—	—	—		
	Motor Circuit Protector		—	—	—	—	—	—	—	—	—	—	—	—		
	Molded Case Switch		—	√ <sup>⑧</sup>	—	—	—	—	—	—	—	—	—	—		
Accessories & Modifications	Undervoltage Trip		—	—	—	—	—	—	—	—	√	—	√	√		
	Shunt Trip		—	√ <sup>⑧</sup>	√ <sup>⑧</sup>	√	√ <sup>⑧</sup>	—	√	√	√	√	√	√		
	Auxiliary Switch		—	—	—	—	√ <sup>⑧</sup>	—	√	√	√	√	√	√		
	Alarm Switch		—	—	—	—	—	—	—	—	—	√	√	√		
	Mechanical Interlock		—	—	—	—	—	—	—	—	—	—	—	—		
Fungus Proofing (ref. page 5-160)		—	—	—	—	—	—	√	√	√	√	√	√			

5 MOLDED CASE CIRCUIT BREAKERS



For inches / millimeters conversion, see Technical section.  
For Plug-in Breakers, see Loadcentres section.

① BQD6 CSA certified 10,000A @ 600Y/347V 15-70A only.  
② Single pole breakers available in ratings 10-70A only.  
③ 125A, 2-pole 120/240V AC only.  
④ Single pole circuit breakers available in ratings 15-70A only, 125A available as a 2-pole only.  
⑤ 10A, 1-pole & 2-pole 120/240V AC only.

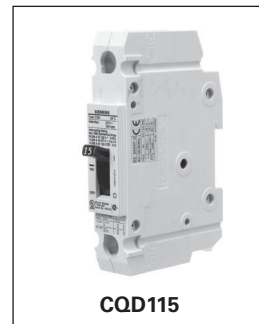
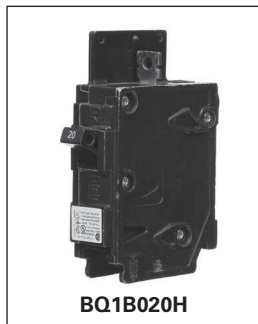
# Molded Case Circuit Breakers

## Reference Guide

## Selection/Application

### Thermal-Magnetic Trip Breakers

			General Purpose Breakers									
			BQ	BQH	HBQ	QR2	QRH2	HQR2	HQR2H	CQD	NGG	
Page			5-28	5-28	5-28	5-30	5-30	5-30	5-30	5-31	5-32	
<b>Ratings</b>	<b>AC</b>	Poles	1, 2, 3	1, 2, 3	1, 2, 3	2, 3	2, 3	2, 3	2, 3	1, 2, 3	1, 2, 3	
		Amperes, Continuous	1-Pole	15-70	15-70	15-50	—	—	—	—	15-100	15-125
			2-Pole	15-125	15-100	15-70	100-250	100-250	100-250	100-250	15-100	15-125
			3-Pole	15-100	15-100	15-100					15-100	15-125
		Volts (50/60 Hertz)	1-Pole	120/240	120/240	120/240	—	—	—	—	277	347
			2-Pole				240	240	240	240	480/277	600/347
			3-Pole	240	240	240	240	240	240	480/277	600/347	
		CSA/UL Interrupting Rating – Symmetrical RMS Amperes	120V	10,000	22,000	65,000	—	—	—	—	65,000	65,000
			240V	10,000	22,000	65,000	10,000	25,000	65,000	100,000	65,000	65,000
			480V	—	—	—	—	—	—	—	14,000 <sup>ⓐ</sup>	25,000
600/347V	—		—	—	—	—	—	—	10,000	14,000		
<b>DC</b>	Volts – 2-Pole	—	—	—	—	—	—	—	125/250	125/250		
	Interrupting Rating – DC Amperes	—	—	—	—	—	—	—	14,000	14,000		
<b>Dimensions in Inches</b>	Height	15-50A	3.75	3.75	4.00	—	—	—	—	4.50	5.40	
		55-125A	4.00	4.00	4.00	—	—	—	—	4.50	5.40	
		60-225A	—	—	—	7.00	7.00	7.00	7.00	—	—	
	Width	1-Pole	1.00	1.00	1.00	—	—	—	—	1.00	1.00	
		2-Pole	2.00	2.00	2.00	3.00	3.00	3.00	3.00	2.00	2.00	
3-Pole		3.00	3.00	3.00	4.50	4.50	4.50	4.50	3.00	3.00		
Depth		2.37	2.37	2.37	2.53	2.53	2.53	2.53	2.87	2.90		
<b>Overcurrent Devices</b>	Thermal and Fixed Magnetic Trip	✓	✓	✓	✓	✓	✓	✓	✓	✓		
	Molded Case Switch	✓	—	—	✓	—	—	✓ <sup>ⓑ</sup>	—	—		
<b>Accessories &amp; Modifications</b>	Undervoltage Trip	—	—	—	—	—	—	—	—	—		
	Shunt Trip	✓	✓	✓	✓	✓	✓	✓	✓	✓		
	Auxiliary Switch	✓	✓	✓	✓	✓	✓	✓	✓	✓		
	Alarm Switch	—	—	—	—	—	—	—	✓	✓		
	Mechanical Interlock	—	—	—	✓	✓	✓	✓	—	—		
Fungus Proofing (ref. page 5-160)	✓	✓	✓	✓	✓	✓	✓	✓	✓			
<b>Individual Enclosures</b>	Type 1 – Indoor Surface	✓	✓	✓	—	—	—	—	—	—		
	Type 1 – Indoor, Flush	✓	✓	✓	—	—	—	—	—	—		
	Type 3R – Outdoor-Rainproof	✓	✓	✓	—	—	—	—	—	—		



For inches / millimeters conversion, see Technical section.

ⓐ CQD breakers are rated 14,000 KAIC at 480/277V.

ⓑ 3-pole only.

# Molded Case Circuit Breakers

## 3VA CSA / UL Breakers

Reference Guide



Type	3VA51	3VA51	3VA52	3VA53	3VA54	3VA55													
Page	5-36	5-37	5-44	5-52	5-58	5-64													
Number of Poles	1	2, 3, 4	2 in 3-pole, 3, 4	2 in 3-pole, 3, 4	2 in 3-pole, 3, 4	3, 4													
<b>3VA5 molded case circuit breakers</b>																			
Size	125 A	125 A	250 A	400 A	600 A	800 A													
Rated current $I_n$	A 15 ... 125	15 ... 125	100 ... 250	200 ... 400	400 ... 600	600 ... 800													
Frequency	Hz 0 ... 400	0 ... 400	0 ... 400	0 ... 400	0 ... 400	0 ... 400													
<b>Electrical characteristics according to CSA C22.2 No. 5 / UL 489</b>																			
Rated operational voltage 50/60 Hz AC	V 347	600	600	600	600	600													
<b>Electrical characteristics according to IEC 60947-2</b>																			
Rated operational voltage $U_n$ 50/60 Hz AC	V 415	690	690	690	690	690													
Rated insulation voltage $U_i$	V 500	800	800	800	800	800													
Rated impulse withstand voltage $U_{imp}$	kV 8	8	8	8	8	8													
Short-circuit breaking capacity according to CSA C22.2 No. 5 / UL 489 UL Breaker Type		(S) SEAS	(M) MEAS	(H) HEAS	(S) SEAS	(M) MEAS	(H) HEAS	(M) MFAS	(H) HFAS	(C) CFAS	(M) MJAS	(H) HJAS	(C) CJAS	(M) MLAS	(H) HLAS	(C) CLAS	(M) MMAS	(H) HMAS	(C) CMAS
	120 V AC / 50/60 Hz	kA 65	85	150	—	—	—	—	—	—	—	—	—	—	—	—	—	—	—
240 V AC / 50/60 Hz	kA —	—	—	65	85	100	85	100	200	85	100	200	85	100	200	85	100	200	200
277 V AC / 50/60 Hz	kA 25	35	50	—	—	—	—	—	—	—	—	—	—	—	—	—	—	—	—
347 V AC / 50/60 Hz	kA 14	18	18	—	—	—	—	—	—	—	—	—	—	—	—	—	—	—	—
480 Y/277 V AC / 50/60 Hz	kA —	—	—	25	35	65	35	65	100	35	65	100	35	65	100	35	65	100	100
480 V AC / 50/60 Hz	kA —	—	—	25	35	65	35	65	100	35	65	100	35	65	100	35	65	100	100
600 Y/347 V AC / 50/60 Hz	kA —	—	—	14	18	25	18	25	35	18	25	35	18	25	35	18	25	50	50
600 V AC / 50/60 Hz	kA —	—	—	—	—	—	18	25	35	18	25	35	18	25	35	18	25	50	50
125 V DC	kA 14	25	30	—	—	—	—	—	—	—	—	—	—	—	—	—	—	—	—
250 V DC	kA —	—	—	50	85	100	50	85	100	50	85	100	50	85	100	50	85	100	100
500 V DC	kA —	—	—	50	85	100	50	85	100	50	85	100	50	85	100	50	85	100	100
600 V DC (3-pole only)	kA —	—	—	—	—	—	50	85	100	50	85	100	50	85	100	50	85	100	100
750 V DC (4-pole only)	kA —	—	—	—	—	—	50	85	100	50	85	100	50	85	100	50	85	100	100
1000 V DC (4-pole only)	kA —	—	—	—	—	—	50	85	100	6	6	10	6	6	10	18	25	50	50
Short-circuit breaking capacity according to IEC 60947-2	(S)	(M)	(H)	(S)	(M)	(H)	(M)	(H)	(C)	(M)	(H)	(C)	(M)	(H)	(C)	(M)	(H)	(C)	(C)
Rated ultimate short-circuit breaking capacity $I_{cu}$																			
Rated service short-circuit breaking capacity $I_{cs}$ rms value, according to IEC 60947-2																			
240 V AC / 50/60 Hz	kA 25/25	36/36	55/55	55/55	85/85	150/150	85/85	100/100	200/200	85/85	100/100	200/200	85/85	100/100	200/200	85	100	200	200
415 V AC / 50/60 Hz	kA 5/5	5/5	5/5	36/36	55/55	70/70	55/55	70/70	110/110	55/55	70/70	110/110	55/55	70/70	110/110	55	70	110	110
690 V AC / 50/60 Hz	kA —	—	—	5/5	7/5	10/5	7/7	10/10	10/10	7/7	10/10	10/10	7/7	10/10	10/10	25	35	35	35
125 V DC	kA 14	25	30	—	—	—	—	—	—	—	—	—	—	—	—	—	—	—	—
250 V DC	kA —	—	—	50	85	100	50	85	100	50	85	100	50	85	100	50	85	100	100
500 V DC	kA —	—	—	50	85	100	50	85	100	50	85	100	50	85	100	50	85	100	100
750 V DC (3-pole only)	kA —	—	—	—	—	—	50	85	100	50	85	100	50	85	100	50	85	100	100

– Not available

Applicable Standards:

- CSA C22.2 No. 5 / UL 489 - Molded Case Circuit Breakers
- UL486A - Wire connectors and solderless lugs for use with copper
- UL486B - Wire connectors and solderless lugs for use with aluminum wire
- CSA-22.2 No. 5-13 - Molded Case Circuit Breakers, Molded case switches and circuit breaker enclosures
- EN 60947-1 AMD 2 - Molded case circuit breakers
- EN 60947-2 AMD 2 2013
- EN 50581 2012 - RoHS compliant

# Molded Case Circuit Breakers

## 3VA CSA / UL Breakers

## Reference Guide



3VA61					3VA62					3VA63					3VA64					3VA65			3VA66		
5-40					5-48					5-54					5-60					5-65			5-68		
3, 4					3, 4					3, 4					3, 4					3, 4			3, 4		
150 A					250 A					400 A					600 A					800A			1000A		
15 ... 125					15 ... 125					100 ... 250					200 ... 400					600-800			1000		
0 ... 400					0 ... 400					0 ... 400					0 ... 400					50-60			50-60		
600					600					600					600					600			600		
690					690					690					690					690			690		
800					800					800					800					800			800		
8					8					8					8					8			8		
(M)	(H)	(C)	(L)	(E)	(M)	(H)	(C)	(H)	(E)	(M)	(H)	(C)	(L)	(E)	(M)	(H)	(C)	(L)	(E)	(M)	(H)	(C)	(M)	(H)	(C)
MDAE	HDAE	CDAE	LDAE	EDAE	MFAE	HFAE	CFAE	MFAE	EF AE	MJAE	HJAE	CJAE	LJAE	EJAE	MLAE	HLAE	CLAE	LLAE	ELAE	MMAE	HMAE	CMAE	MMNAE	HMNAE	CMNAE
-	-	-	-	-	-	-	-	-	-	-	-	-	-	-	-	-	-	-	-	-	-	-	-	-	-
100	100	200	200	-	100	100	200	200	-	100	100	200	200	-	100	100	200	200	-	100	150	200	100	150	200
-	-	-	-	-	-	-	-	-	-	-	-	-	-	-	-	-	-	-	-	-	-	-	-	-	-
-	-	-	-	-	-	-	-	-	-	-	-	-	-	-	-	-	-	-	-	-	-	-	-	-	-
35	65	100	150	200	35	65	100	150	200	35	65	100	150	200	35	65	100	150	200	35	65	100	35	65	100
35	65	100	150	200	35	65	100	150	200	35	65	100	150	200	35	65	100	150	200	35	65	100	35	65	100
18	22	35	50	100	18	22	35	50	100	18	22	35	50	100	18	22	35	50	100	25	35	50	25	35	50
18	22	35	50	100	18	22	35	50	100	18	22	35	50	100	18	22	35	50	100	25	35	50	25	35	50
-	-	-	-	-	-	-	-	-	-	-	-	-	-	-	-	-	-	-	-	-	-	-	-	-	-
-	-	-	-	-	-	-	-	-	-	-	-	-	-	-	-	-	-	-	-	-	-	-	-	-	-
-	-	-	-	-	-	-	-	-	-	-	-	-	-	-	-	-	-	-	-	-	-	-	-	-	-
-	-	-	-	-	-	-	-	-	-	-	-	-	-	-	-	-	-	-	-	-	-	-	-	-	-
-	-	-	-	-	-	-	-	-	-	-	-	-	-	-	-	-	-	-	-	-	-	-	-	-	-
(M)	(H)	(C)	(L)	(E)	(M)	(H)	(C)	(L)	(E)	(M)	(H)	(C)	(L)	(E)	(M)	(H)	(C)	(L)	(E)	(M)	(H)	(C)	(M)	(H)	(C)
-	-	-	-	-	-	-	-	-	-	-	-	-	-	-	-	-	-	-	-	85	110	200	85	110	200
55/55	85/85	110/110	150/150	200	55/55	85/85	110/110	150/150	200	55/55	85/85	110/110	150/150	200	55/55	85/85	110/110	150/150	200	55	85	110	55	85	110
-	-	-	-	3	-	-	-	-	3	-	-	-	-	3	-	-	-	-	3	25	35	35	25	35	35
-	-	-	-	-	-	-	-	-	-	-	-	-	-	-	-	-	-	-	-	-	-	-	-	-	-
-	-	-	-	-	-	-	-	-	-	-	-	-	-	-	-	-	-	-	-	-	-	-	-	-	-
-	-	-	-	-	-	-	-	-	-	-	-	-	-	-	-	-	-	-	-	-	-	-	-	-	-
-	-	-	-	-	-	-	-	-	-	-	-	-	-	-	-	-	-	-	-	-	-	-	-	-	-

5 MOLDED CASE CIRCUIT BREAKERS

### CSA / UL Type Structure

Position 1 KAIC @ 480V	Position 2 Frame	Position 3 Family	Position 4 Trip System / Special Application
<b>S</b> = 25 = low <b>M</b> = 35 = med low <b>H</b> = 65 = med <b>C</b> = 100 = med high <b>L</b> = 150 = high <b>E</b> = 200 = extra high	<b>E</b> = 125A max <b>D</b> = 150A max <b>F</b> = 250A max <b>J</b> = 400A max <b>L</b> = 600A max <b>M</b> = 800A max <b>MN</b> = 1000A max	<b>A</b> = 3VA	<b>S</b> = Standard TMTU or MCS (Molded Case Switch) <b>E</b> = High End ETU <b>B</b> = Panelboard TMTU (Bolt-on) <b>M</b> = TMTU 50°C/NAVAL (UL 489 SB) <b>P</b> = TMTU MCP (Motor Circuit Protector) <b>R</b> = ETU MCP (Motor Circuit Protector)"



# Molded Case Circuit Breakers

## Reference Guide

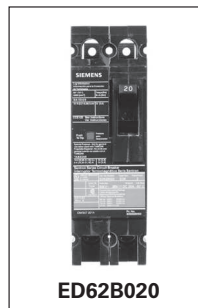
## Selection/Application

### Thermal-Magnetic Trip Breakers

Page		General Purpose Breakers										
		HGG	LGG	ED2	ED4	ED6	HED4	CED6				
5		5-32	5-32	5-101	5-101	5-101	5-102	5-102				
Ratings	AC	Poles	1, 2, 3	1, 2, 3	1, 2, 3	1, 2, 3	1 <sup>ⓐ</sup> , 2, 3	1, 2, 3	2, 3			
		Amperes, Continuous	15-125	15-125	15-100	15-125	15-125 <sup>ⓑ</sup>	15-125	15-125			
		Volts 50/60HZ	347	347	120	277	347	277	—			
		Interrupt Rating Symmetrical RMS Amperes	CSA/UL	1-Pole	600/347	600/347	240	480	600	480	600	
				2-Pole 3-Pole	—	—	10,000	—	—	100,000	—	
			IEC 947-2 50/60HZ	220/240V	240V	85,000	100,000	10,000	65,000	65,000	100,000 <sup>ⓑ</sup>	200,000
					277V	—	—	—	22,000 <sup>ⓑ</sup>	—	65,000 <sup>ⓑ</sup>	—
				380/415V	347V	—	—	—	—	30,000	—	—
					480V	35,000	65,000	—	18,000	25,000	42,000	200,000
				500V	600V	14,000	14,000	—	—	18,000	—	100,000
					lcu	—	—	—	—	65,000	—	—
						lcs	—	—	—	—	17,000	—
					lcs	—	—	—	—	35,000	—	—
		—	—	—		—	9,000	—	—			
	DC	2-Pole, 250V DC Interrupting Ratings		35,000	42,000	5,000	30,000	30,000	30,000	30,000		
3-Pole, 500V DC Interrupting Ratings <sup>ⓑ</sup>		—	—	—	—	18,000	—	50,000				
Dimensions in inches	Height	1-Pole	5.40 1.00	5.40 1.00	6.34 1.00	6.34 1.00	6.34 1.00	6.34 1.00	9.26 —			
		2-Pole 3-Pole 4-Pole	2.00 3.00 4.00	2.00 3.00 4.00	2.00 3.00 —	2.00 3.00 —	2.00 3.00 —	2.00 3.00 —	2.00 3.00 —			
	Width	—	2.90	2.90	4.00	4.00	4.00	4.00	4.00			
		Depth	—	—	—	—	—	—	—			
Overcurrent Devices	Thermal and Fixed Magnetic Trip		√	√	√	√	√	√				
	Thermal and Adjustable Magnetic Trip		—	—	—	—	—	—				
	Adjustable Magnetic Trip only		—	—	—	—	√	—				
	Motor Circuit Protector		—	—	—	—	—	√				
	Molded Case Switch		—	—	√	√	√	√				
Accessories & Modifications	Undervoltage Trip		—	—	√	√	√	√				
	Shunt Trip		√	√	√	√	√	√				
	Auxiliary Switch		√	√	√	√	√	√				
	Alarm Switch		√	√	√	√	√	√				
	Mechanical Interlock		—	—	—	—	—	—				
	Rear Connection Studs		—	—	√	√	√	√				
	Electric Motor Operator		—	—	√	√	√	√				
	Plug-In Mounting Assembly (3 Pole Only)		—	—	√	√	√	√				
	Fungus Proofing (ref. page 5-160)		√	√	√	√	√	√				
Individual Enclosures	Type 1 — Indoor Surface		√	√	√	√	√	√				
	Type 1 — Indoor, Flush		√	√	√	√	√	√				
	Type 3R — Outdoor-Rainproof		√	√	√	√	√	√				
	Type 12 — Lint, Fine Dust, Oils, Coolants		—	—	√	√	√	√				

For inches / millimeters conversion, see Technical section.

- ⓐ 1-pole only.
- ⓑ 35-100A: 25,000 AIR at 277V AC/15-30A:  
65,000 AIR at 277V AC.
- ⓓ For DC UPS system application.
- ⓔ Single pole ED6 (15-30A) 30kA, (35-100A) 18 kA. CSA Only.
- ⓕ Single pole HED4, 15-30A: 65,000 AIR at 240V AC; single  
pole HED4, 35-100A: 25,000 AIR at 240V AC.
- ⓖ HGG and LGG breakers are rated at 600/347V.
- ⓗ ED6, 2-pole available 15-125 amps only.



# Molded Case Circuit Breakers

## Reference Guide

## Selection/Application

### Thermal-Magnetic Trip Breakers

Page		General Purpose Breakers												
		FD6A, FXD6A	HFD6, HFXD6	HHFD6, HHFXD6	CFD6	JXD2-A	JD6-A, JXD6-A	HJD6-A, HJXD6-A	HHJD6-A, HHJXD6-A	CJD6-A				
Ratings	AC	Poles	2, 3	2, 3	2, 3	3	2, 3	2, 3	2, 3	2, 3	3			
		Amperes, Continuous	70-250	70-250	70-250	70-250	200-400	200-400	200-400	200-400	200-400			
		Volts 50/60HZ	2-Pole 3-Pole	600	600	600	600	240	600	600	600	600		
		Interrupt Rating Symmetrical RMS Amperes	CSA/UL	240V	65,000	100,000	200,000	200,000	65,000	65,000	100,000	200,000	200,000	
				480V	35,000	65,000	100,000	200,000	—	35,000	65,000	100,000	150,000	
			IEC60947-2 50/60HZ	220/240V	600V	22,000	25,000	25,000	100,000	—	25,000	35,000	50,000	100,000
					lcu	65,000	100,000	—	—	—	65,000	100,000	—	—
				380/415V	lcs	33,000	50,000	—	—	—	33,000	50,000	—	—
					lcu	35,000	65,000	—	—	—	40,000	65,000	—	—
				500V	lcs	18,000	33,000	—	—	—	20,000	33,000	—	—
lcu	—				—	—	—	—	—	—	—	—		
DC	2-Pole 250V DC Interrupting Ratings		30,000	30,000	—	50,000	30,000	30,000	30,000	—	—			
	3-Pole, 500V DC Interrupting Ratings <sup>Ⓞ</sup>		18,000	25,000	—	50,000	—	25,000	35,000	—	50,000			
Dimensions in inches	Height		9.50	9.50	14.12	14.12	11.00	11.00	11.00	11.00	17.86			
	Width	2-Pole	4.50	4.50	4.50	4.50	7.50	7.50	7.50	7.50	7.50			
		3-Pole	—	—	—	—	—	—	—	—	—			
Depth		4.00	4.00	4.00	4.00	4.00	4.00	4.00	4.00	4.00				
Overcurrent Devices	Thermal and Fixed Magnetic Trip		—	—	—	—	—	—	—	—	—			
	Thermal and Adjustable Magnetic Trip		✓	✓	✓	✓	✓	✓	✓	✓	✓			
	Adjustable Magnetic Trip Only Motor Circuit Protector		✓	—	—	✓	—	—	✓	✓	—			
	Molded Case Switch		✓	—	—	✓	✓	✓	—	—	✓			
Accessories & Modifica- tions	Undervoltage Trip		✓	✓	✓	✓	✓	✓	✓	✓	✓			
	Shunt Trip		✓	✓	✓	✓	✓	✓	✓	✓	✓			
	Auxiliary Switch		✓	✓	✓	✓	✓	✓	✓	✓	✓			
	Auxiliary Switch		✓	✓	✓	✓	✓	✓	✓	✓	✓			
	Mechanical Interlock		✓	✓	✓	✓	✓	✓	✓	✓	✓			
	Rear Connection Studs		✓	✓	✓	✓	✓	✓	✓	✓	✓			
	Electric Motor Operator		✓	✓	✓	✓	✓	✓	✓	✓	✓			
	Plug-In Mounting Assembly		✓	✓	✓	✓	✓	✓	✓	✓	✓			
Fungus Proofing (ref. page 5-160)		✓	✓	✓	✓	—	✓	✓	✓	✓				
Individual Enclosures	Type 1 — Indoor Surface		✓	✓	✓	✓	✓	✓	✓	✓	✓			
	Type 1 — Indoor, Flush		—	✓	—	✓	—	—	—	—	—			
	Type 3R — Outdoor-Rainproof		✓	✓	✓	✓	✓	✓	✓	✓	—			
	Type 12 — Lint, Fine Dust, Oils, Coolants		✓	✓	✓	✓	✓	✓	✓	✓	✓			

For inches / millimeters conversion, see Technical section.

Ⓞ For DC UPS application.

# Molded Case Circuit Breakers

## Reference Guide

## Selection/Application

### Thermal-Magnetic Trip Breakers

		General Purpose Breakers											
		LD6, LXD6	HLD6, HLXD6	HHLXD6, HHLXD6	CLD6-A	LMD6, LMXD6	HLMD6, HLMXD6	MD6, MXD6	HMD6, HMXD6	CMD6			
<b>Page</b>		5-111	5-112	5-112	5-112	5-115	5-103	5-118	5-119	5-119			
<b>Ratings</b>	AC	Poles	2, 3	2, 3	2, 3	3	2, 3	2, 3	2, 3	2, 3	3		
		Amperes, Continuous	250-600	250-600	250-600	450-600	500-800	500-800	500-800	500-800	400-800		
		Volts 50/60 HZ	2-Pole	600	600	600	600	600	600	600	600		
			3-Pole	600	600	600	600	600	600	600	600		
	Interrupt Rating Symmetrical RMS Amperes	CSA/UL	240V	65,000	100,000	200,000	200,000	65,000	100,000	65,000	100,000	200,000	
			480V	35,000	65,000	100,000	150,000	50,000	65,000	50,000	65,000	100,000	
			600V	25,000	35,000	50,000	100,000	25,000	50,000	25,000	50,000	65,000	
				65,000	100,000	—	—	65,000	100,000	65,000	100,000	—	
		IEC 947-2 50/60HZ	220/240V	Icu	33,000	50,000	—	—	33,000	50,000	33,000	50,000	—
				Ics	40,000	65,000	—	—	40,000	65,000	40,000	65,000	—
			380/415V	Icu	20,000	33,000	—	—	20,000	33,000	20,000	33,000	—
				Ics	—	—	—	—	—	—	—	—	—
	DC	2-Pole 250V DC Interrupting Ratings	30,000	30,000	—	—	30,000	30,000	30,000	30,000	30,000		
3-Pole, 500V DC Interrupting Ratings <sup>Ⓞ</sup>		35,000	—	—	50,000	25,000	50,000	25,000	50,000	50,000			
<b>Dimensions in inches</b>	Height	11.00	11.00	11.00	17.86	16.00	16.00	16.00	16.00	16.00			
	Width	7.50	7.50	7.50	7.50	7.50	7.50	9.00	9.00	9.00			
	Depth	4.00	4.00	4.00	4.00	4.59	4.59	6.19	6.19	6.19			
<b>Overcurrent Devices</b>	Thermal and Adjustable Magnetic Trip	✓	✓	✓	✓	✓	✓	✓	✓	✓			
	Adjustable Magnetic Trip Only	✓	—	—	✓	✓	✓	✓	—	✓			
	Motor Circuit Protector	✓	—	—	✓	✓	—	✓	—	✓			
<b>Accessories &amp; Modifications</b>	Molded Case Switch	✓	—	—	✓	✓	—	✓	—	✓			
	Undervoltage Trip	✓	✓	✓	✓	✓	✓	✓	✓	✓			
	Shunt Trip	✓	✓	✓	✓	✓	✓	✓	✓	✓			
	Auxiliary Switch	✓	✓	✓	✓	✓	✓	✓	✓	✓			
	Alarm Switch	✓	✓	✓	✓	✓	✓	✓	✓	✓			
	Mechanical Interlock	✓	✓	✓	✓	✓	✓	✓	✓	✓			
	Rear Connection Studs	✓	✓	✓	✓	✓	✓	✓	✓	✓			
	Electric Motor Operator	✓	✓	✓	✓	✓	✓	✓	✓	✓			
	Plug-In Mounting Assembly	✓	✓	✓	✓	—	—	✓	✓	✓			
Fungus Proofing (ref. page 5-160)	✓	✓	✓	✓	✓	✓	✓	✓	✓				
<b>Individual Enclosures</b>	Type 1 — Indoor Surface	✓	✓	✓	✓	—	—	✓	✓	✓			
	Type 1 — Indoor, Flush	—	—	—	—	—	—	—	—	—			
	Type 3R — Outdoor-Rainproof	✓	✓	✓	—	—	—	✓	✓	✓			
	Type 12 — Lint, Fine Dust, Oils, Coolants	—	—	—	—	—	—	✓	✓	✓			

For inches / millimeters conversion, see Technical section.

Ⓞ For DC UPS application.

# Molded Case Circuit Breakers

## Reference Guide

## Selection/Application

### Thermal-Magnetic Trip Breakers

Page				General Purpose Breakers							
				ND6, NXD6	HND6, HNXD6	CND6	PD6, PXD6 <sup>①</sup>	HPD6 <sup>②</sup> , HPXD6 <sup>②</sup>	CPD6 <sup>③</sup>		
<b>Ratings</b>				<b>5-122</b>	<b>5-123</b>	<b>5-123</b>	<b>5-126</b>	<b>5-126</b>	<b>5-126</b>		
	AC	Poles		2, 3	2, 3	3	3	3	3		
		Amperes, Continuous		800-1200	800-1200	800-1200	1200-1600	1200-1600	1200-1600		
		Volts 50/60 HZ		3-Pole	600	600	600	600	600	600	
		Interrupt Rating Symmetrical RMS Amperes	CSA/UL	240V	65,000	100,000	200,000	65,000	100,000	200,000	
				480V	50,000	65,000	100,000	50,000	65,000	100,000	
				600V	25,000	50,000	65,000	25,000	50,000	65,000	
			IEC 947-2 50/60HZ	220/240V	lcu	65,000	100,000	—	—	—	—
					lcs	33,000	50,000	—	—	—	—
				380/415V	lcu	40,000	65,000	—	—	—	—
			lcs	20,000	33,000	—	—	—	—		
	500V	lcu	—	—	—	—	—	—			
	lcs	—	—	—	—	—	—	—			
DC	2-Pole 250V DC Interrupting Ratings		30,000	30,000	30,000	30,000	30,000	30,000			
	3-Pole, 500V DC Interrupting Ratings <sup>①</sup>		25,000	50,000	50,000	25,000	50,000	50,000			
<b>Dimensions in inches</b>	Circuit breakers require Connect-all mounting block. Dimensions shown are for circuit breaker only.			Height	16.00	16.00	16.00	16.0	16.00	16.00	
				Width	9.00	9.00	9.00	9.00	9.00	9.00	
				Depth	6.19	6.19	6.19	6.19	6.19	6.19	
<b>Overcurrent Devices</b>	Thermal and Adjustable Magnetic Trip			√	√	√	√	√	√		
	Adjustable Magnetic Trip Only			—	—	—	—	—	—		
	Motor Circuit Protector			—	—	—	—	—	—		
<b>Accessories &amp; Modifications</b>	Molded Case Switch			√	—	√	√	—	—		
	Undervoltage Trip			√	√	√	√	√	√		
	Shunt Trip			√	√	√	√	√	√		
	Auxiliary Switch			√	√	√	√	√	√		
	Alarm Switch			√	√	√	√	√	√		
	Mechanical Interlock			√	√	√	√	√	√		
	Rear Connections Studs			√	√	√	—	—	—		
	Electric Motor Operator			√	√	√	√	√	√		
	Plug-in Mounting Assembly			√	√	√	—	—	—		
	Fungus Proofing (ref. page 5-160)			√	√	√	√	√	√		
Mounting Block (required)			—	—	—	√	√	√			
<b>Individual Enclosures</b>	Type 1 – Indoor Surface			√	√	√	—	—	—		
	Type 1 – Indoor, Flush			—	—	—	—	—	—		
	Type 3R – Outdoor-Rainproof			√	√	√	—	—	—		
	Type 12 – Lint, Fine Dust, Oils, Coolants			—	—	—	—	—	—		

For inches / millimeters conversion, see Technical section.

- ① For DC UPS application.
- ② 2-pole design.
- ③ 3-pole design.

④ Requires Connect-all mounting assembly. Dimensions shown are for circuit breaker only.

# Molded Case Circuit Breakers

## Reference Guide

## Selection/Application

Thermal-Magnetic Trip Breakers & Electronic Trip Breakers				General Purpose Breakers		Solid State Trip Circuit Breakers							
				RD6 <sup>Ⓞ</sup> , RXD6 <sup>Ⓞ</sup>	HRD6 <sup>Ⓞ</sup> , HRXD6 <sup>Ⓞ</sup>	SJD6	SHJD6	SCJD6	SLD6	SHLD6	SCLD6		
Page				5-129	5-129	5-109	5-109	5-109	5-113	5-113	5-113		
Ratings	AC	Poles		3	3	3	3	3	3	3	3		
		Amperes, Continuous			1600-2000	1600-2000	200-400	200-400	200-400	300-600	300-600	300-600	
		Volts 50/60 HZ		3-Pole	600	600	600	600	600	600	600	600	
		Interrupt Rating Symmetrical RMS Amperes	CSA/UL	240V	65,000	100,000	65,000	100,000	200,000	65,000	100,000	200,000	
				480V	50,000	65,000	35,000	65,000	150,000	35,000	65,000	150,000	
				600V	25,000	50,000	25,000	35,000	100,000	25,000	35,000	100,000	
			IEC60947-2 50/60HZ	220/240V	lcu	—	—	—	—	—	—	—	—
					lcs	—	—	—	—	—	—	—	—
				380/415V	lcu	—	—	—	—	—	—	—	—
			lcs	—	—	—	—	—	—	—	—		
		500V	lcu	—	—	—	—	—	—	—	—		
		lcs	—	—	—	—	—	—	—	—	—		
	DC	2-Pole 250V DC Interrupting Ratings		30,000	30,000	—	—	—	—	—	—		
		3-Pole, 500V DC Interrupting Ratings <sup>Ⓞ</sup>		25,000	50,000	—	—	—	—	—	—		
Dimensions in inches	Height		16.00	16.00	11.00	11.00	17.86	11.0	11.00	17.86			
	Width		3-Pole	9.00	9.00	7.50	7.50	7.50	7.50	7.50			
	Depth			6.19	6.19	4.00	4.00	4.00	4.00	4.00			
Overcurrent Devices	Solid State Trip		—	—	√	√	√	√	√	√			
	Thermal and Adjustable Magnetic Trip		√	√	—	—	—	—	—	—			
	Adjustable Magnetic Trip Only		—	—	—	—	—	—	—	—			
	Motor Circuit Protector		—	—	—	—	—	—	—	—			
	Molded Case Switch		√	—	—	—	—	—	—	—			
Accessories & Modifications	Undervoltage Trip		√	√	√	√	√	√	√	√			
	Shunt Trip		√	√	√	√	√	√	√	√			
	Auxiliary Switch		√	√	√	√	√	√	√	√			
	Alarm Switch		√	√	√	√	√	√	√	√			
	Mechanical Interlock		√	√	√	√	√	√	√	√			
	Rear Connections Studs		—	—	√	√	√	√	√	√			
	Electric Motor Operator		√	√	√	√	√	√	√	√			
	Plug-In Mounting Assembly		—	—	√	√	√	√	√	√			
	Fungus Proofing (ref. page 5-160)		√	√	√	√	√	√	√	√			
	Mounting Block (required)		√	√	—	—	—	—	—	—			
Individual Enclosures	Type 1 — Indoor Surface		—	—	√	√	√	√	√	√			
	Type 1 — Indoor, Flush		—	—	—	—	—	—	—	—			
	Type 3R — Outdoor-Rainproof		—	—	√	√	—	√	√	—			
	Type 12 — Lint, Fine Dust, Oils, Coolants		—	—	√	√	√	—	—	—			

For inches / millimeters conversion, see Technical section.

<sup>Ⓞ</sup> Requires Connect-all mounting assembly. Dimensions shown are for circuit breaker only.

# Molded Case Circuit Breakers

## Reference Guide

Selection

### Electronic Trip Breakers

Page				Solid State Trip Circuit Breakers								
				SMD6	SHMD6	SCMD6	SND6	SHND6	SCND6	SPD6 <sup>①</sup>	SHPD6 <sup>①</sup>	
Ratings				5-120	5-120	5-120	5-124	5-124	5-124	5-127	5-127	
Ratings	AC	Poles		3	3	3	3	3	3	3	3	
		Amperes, Continuous		600-800	600-800	600-800	800-1200	800-1200	800-1200	1200-600	1200-1600	
		Volts 50/60HZ		3-Pole	600	600	600	600	600	600	600	
		Interrupt Rating Symmetrical RMS Amperes	CSA/UL	240V	65,000	100,000	200,000	65,000	100,000	200,000	65,000	100,000
				480V	50,000	65,000	100,000	50,000	65,000	100,000	50,000	65,000
				600V	25,000	50,000	65,000	25,000	50,000	65,000	25,000	50,000
		IEC60947-2 50/60HZ	380/415V	lcu	—	—	—	—	—	—	—	—
				lcs	—	—	—	—	—	—	—	—
		690V		lcu	—	—	—	—	—	—	—	—
				lcs	—	—	—	—	—	—	—	—
Dimensions in inches	Height		10.00	16.00	16.00	16.00	16.00	16.00	16.00	16.00		
	Width		9.00	9.00	9.00	9.00	9.00	9.00	9.00	9.00		
	Depth		6.19	6.19	6.19	6.19	6.19	6.19	6.19	6.19		
Overcurrent Devices	Solid State Trip		✓	✓	✓	✓	✓	✓	✓	✓		
	Undervoltage Trip		✓	✓	✓	✓	✓	✓	✓	✓		
Accessories & Modifications	Shunt Trip		✓	✓	✓	✓	✓	✓	✓	✓		
	Auxiliary Switch		✓	✓	✓	✓	✓	✓	✓	✓		
	Alarm Switch		✓	✓	✓	✓	✓	✓	✓	✓		
	Mechanical Interlock		✓	✓	✓	✓	✓	✓	✓	✓		
	Rear Connection Studs		✓	✓	✓	✓	✓	✓	—	—		
	Electric Motor Operator		✓	✓	✓	✓	✓	✓	✓	✓		
	Plug-In Mounting Assembly		✓	✓	✓	✓	✓	✓	—	—		
	Fungus Proofing (ref. page 5-160)		✓	✓	✓	✓	✓	✓	✓	✓		
Individual Enclosures	Type 1 — Indoor Surface		✓	✓	✓	✓	✓	✓	—	—		
	Type 1 — Indoor, Flush		—	—	—	—	—	—	—	—		
	Type 3R — Outdoor-Rainproof		✓	✓	✓	✓	✓	✓	—	—		
	Type 12 — Lint, Fine Dust, Oils, Coolants		✓	✓	✓	✓	✓	✓	—	—		

For inches / millimeters conversion, see Technical section.

① Requires connect-all mounting block assembly. Dimensions shown are for circuit breaker.

② Breaker has rating plugs which can be changed within each frame rating.



# Molded Case Circuit Breakers

## Reference Guide

## Selection/Application

Page		5-166			5-170			5-174			
Breaker Frame Family		DG			FG			JG			
	Continuous Amps	30–150A			40–250A			70–400A			
	Poles	2, 3			2, 3			2, 3			
	Max. Volts AC	600Y/347V			600Y/347V			600V			
Breaker Type		NDGA	HDGA	LDGA	NFGA	HFGA	LFGA	NJGA	HJGA	LJGA	
Ratings	Interrupting Class		N	H	L	N	H	L	N	H	L
	Interrupting Rating RMS Symmetrical Amperes AC 50/60Hz	240Vac	65	100	200	65	100	200	65	100	200
		CSA/UL 480Vac	35	65	100	35	65	100	35	65	100
		600Vac	18	18	18	18	18	18	25	25	25
		220/240Vac	65/65	100/75	200/150	65/65	100/75	200/150	65/65	100/75	200/150
		I <sub>c</sub> /I <sub>cs</sub> 380/415Vac	40/40	70/70	100/75	40/40	70/70	100/75	45/45	70/70	100/75
	690Vac	12/6	12/6	12/6	12/6	12/6	12/6	12/6	15/8	15/8	
DC Interrupting Ratings (CSA/UL) <sup>②</sup>	250Vdc (2-Pole)	30	30	30	30	30	30	30	30	30	
	500Vdc (3-Pole) <sup>①</sup>	18	18	18	18	18	30	25	35	35	
Dimensions in Inches	1-Pole	—						—			
	2-Pole	6.9H x 4.1W x 3.4D						11H x 5.5W x 4.2D			
	3-Pole	6.9H x 4.1W x 3.4D						11H x 5.5W x 4.2D			
	4-Pole	—						—			
Trip Unit Information	Thermal-Magnetic	◆			◆			◆			
	Electronic	◆			◆			◆			
	Electronic with LCD	◆			◆			◆			
	Interchangeable Trip Unit	—			—			—			
	Reverse Feed (w/Non-Interchangeable Trip)	◆			◆			◆			
	Communications Capability <sup>③</sup>	◆			◆			◆			
Specific Application Breakers	Molded Case Switch	◆			◆			◆			
	Motor Circuit Protector	◆			◆			◆			
	100% Rated	◆						◆			
	50°C Calibrated <sup>④</sup>								◆		
Accessories & Modifications	Auxiliary Switch	◆			◆			◆			
	Alarm Switch	◆			◆			◆			
	Shunt Trip	◆			◆			◆			
	Undervoltage Release	◆			◆			◆			
	Mechanical Interlocks	◆			◆			◆			
	Electric Motor or Stored Energy Operator	◆			◆			◆			
	Rear Connecting Studs	◆			◆			◆			
	Plug-In Mounting Assy. w/Trip Interlock	◆			◆			◆			
	Draw-Out Assembly	◆			◆			◆			
	Handle Mechanism Options	◆			◆			◆			
	Terminal Shields	◆			◆			◆			
	Distribution Lugs	◆			◆			◆			
	Ground Sensor (Neutral Transformer)	◆			◆			◆			

① 500Vdc nominal, for ungrounded DC UPS systems.

② DC Interrupting Ratings are not applicable to electronic circuit breakers.

③ Communications available via a COMPRO or COMMODO modules using Profibus or Modbus protocols.

④ Consult Siemens for availability.

⑤ Special version, see page 5-215 – 5-216.

GG are not VL family breakers and do not share common VL accessories.

⑥ 304 and 316 Stainless Steel

# Molded Case Circuit Breakers

## Reference Guide

## Selection/Application

Page		5-178			5-182			5-186			5-190				
Breaker Frame Family		LG			MG			NG			PG				
	Continuous Amps	150–600A			200–800A			300–1200A			400–1600A				
	Poles	2, 3			2, 3			2, 3			3				
	Max. Volts AC	600V			600V			600V			600V				
Breaker Type		NLGB	HLGB	LLGB	NMG	HMG	LMG	NNG	HNG	LNG	NPG	HPG	LPG		
Ratings	Interrupting Class		N	H	L	N	H	L	N	H	L	N	H	L	
	Interrupting Rating RMS Symmetrical Amperes AC 50/60Hz	CSA/UL	240Vac	65	100	200	65	100	200	65	100	200	65	100	200
			480Vac	35	65	100	35	65	100	35	65	100	35	65	100
			600Vac	18 <sup>Ⓞ</sup>	18	18	25	35	65	25	35	65	25	35	65
		I <sub>cs</sub> /I <sub>cs</sub>	220/240Vac	65/65	100/75	200/150	65/35	100/50	200/150	65/65	100/75	200/100	65/35	100/50	200/100
			380/415Vac	45/45	70/70	100/75	50/50	70/70	100/75	50/25	70/35	100/50	50/25	70/35	100/50
			690Vac	12/6	15/8	15/8	20/10	30/15	35/17	20/10	30/15	35/17	20/10	30/15	35/15
	DC Interrupting Ratings (CSA/UL) <sup>Ⓢ</sup>	250Vdc (2-Pole)	30	30	30	22	25	42	22	25	42	22	25	42	
		500Vdc (3-Pole) <sup>Ⓢ</sup>	25	35	35	35	50	65	35	50	65	35	50	65	
Dimensions in Inches	2-Pole	11H x 5.5W x 4.2D			16H x 7.5W x 4.7D			16H x 9W x 6.2D			—				
	3-Pole	11H x 5.5W x 4.2D			16H x 7.5W x 4.7D			16H x 9W x 6.2D							
Trip Unit Information	Thermal-Magnetic	◆			◆			◆			◆				
	Electronic	◆			◆			◆			◆				
	Electronic with LCD	◆			◆			◆			◆				
	Interchangeable Trip Unit	◆			◆			◆			◆				
	Reverse Feed (w/Non-Interchangeable Trip)	◆			◆			◆			◆				
	Communications Capability <sup>Ⓢ</sup>	◆			◆			◆			◆				
Specific Application Breakers	Molded Case Switch	◆			◆			◆			◆				
	Motor Circuit Protector	◆			◆			◆			◆				
	100% Rated <sup>Ⓢ</sup>	◆			◆			◆			◆				
Accessories and Modifications	Auxiliary Switch	◆			◆			◆			◆				
	Alarm Switch	◆			◆			◆			◆				
	Shunt Trip	◆			◆			◆			◆				
	Undervoltage Release	◆			◆			◆			◆				
	Mechanical Interlocks	◆			◆			◆			◆				
	Electric Motor or Stored Energy Operator	◆			◆			◆			◆				
	Rear Connecting Studs	◆			◆			◆			◆				
	Plug-In Mounting Assy. w/Trip Interlock	◆			◆			◆			◆				
	Draw-Out Assembly	◆			◆			◆			◆				
	Handle Mechanism Options	◆			◆			◆			◆				
	Terminal Shields	◆			◆			◆			◆				
	Distribution Lugs	◆			◆			◆			◆				
	Ground Sensor (Neutral Transformer)	◆			◆			◆			◆				

<sup>Ⓢ</sup> Communications available via COMPRO or COMMOD modules using Profibus or Modbus protocol.  
<sup>Ⓢ</sup> 500Vdc nominal, for ungrounded DC UPS systems.  
<sup>Ⓢ</sup> DC Interrupting Ratings are not applicable to electronic circuit breakers.  
<sup>Ⓢ</sup> LG frame maximum 500A.  
<sup>Ⓢ</sup> Special version, see page 5-215 – 5-216.  
<sup>Ⓢ</sup> Special 600Vac 25kA version available, see page 5-215 – 5-216.

# Molded Case Circuit Breakers

## Panelboard Mounting Circuit Breakers

*Selection*

### Arc-Fault Circuit Interrupters (AFCI)

AFCI's detect arcing faults (an unintentional arcing condition in a circuit) that standard circuit breakers are unable to detect. The device is intended to mitigate the effects of arcing faults by functioning to de-energize the circuit when an arc-fault is detected.

#### Combination Type AFCI

Detects all three possible types of arc fault: line-to-ground, line-to-neutral, and series.

Breaker Type	Ampere Rating	10,000 A IR Catalog Number	22,000 A IR Catalog Number	65,000 A IR Catalog Number
<b>BAF2/BAFH2/HBAF2</b> 1-Pole 120V AC	15	BA115AFC <sup>Ⓞ</sup>	BA115AFCH	BA115AFCHH
	20	BA120AFC <sup>Ⓞ</sup>	BA120AFCH	BA120AFCHH
<b>BAF/BAFH</b> 2-Pole 120/240V AC	15	B215AFC <sup>Ⓞ</sup>	B215AFCH	—
	20	B220AFC <sup>Ⓞ</sup>	B220AFCH	—

#### Branch-Feeder AFCI

Detects line-to-ground and line-to neutral arcs.

Breaker Type	Ampere Rating	10,000 A IR Catalog Number	22,000 A IR Catalog Number	65,000 A IR Catalog Number
<b>BAF2/BAFH2/HBAF2</b> 1-Pole 120V AC	15	BA115AF <sup>Ⓞ</sup>	BA115AFH <sup>■</sup> Ⓞ	BA115AFHH <sup>■</sup>
	20	BA120AF <sup>Ⓞ</sup>	BA120AFH <sup>■</sup> Ⓞ	BA120AFHH <sup>■</sup>

#### **NEW** Dual Function AFCI/GFCI

The Dual Function Circuit Breaker combines Combination Type AFCI and GFCI, protecting against both Arc Faults and (5mA) Ground Faults. The device includes the Self Test feature, making it the first in class in electrical safety for homeowners.

Breaker Type	Ampere Rating	10k A IR Cat. No.	22k A IR Cat. No.	65k A IR Cat. No.
<b>BFGA2/BFGAH2/HBFGA2</b> 1-Pole 120V AC	15	B115DF	B115DFH <sup>■</sup>	B115DFHH <sup>■</sup>
	20	B120DF	B120DFH <sup>■</sup>	B120DFHH <sup>■</sup>

### Ground-Fault Circuit Interrupters (GFCI)

Provides Class A (5mA) ground fault protection. Intended for personnel protection. De-energizes the circuit for all ungrounded conductors of the circuit.

Breaker Type	Amp Rating	10k A IR Cat. No.	22k A IR Cat. No.	65k A IR Cat. No.
<b>BLF/BLHF</b> 1-Pole 120V AC Bolt-On	15	BF115A <sup>Ⓞ</sup>	BF115AH <sup>Ⓞ</sup>	BF115AHH
	20	BF120A <sup>Ⓞ</sup>	BF120AH <sup>Ⓞ</sup>	BF120AHH
	25	BF125A	BF125AH	—
	30	BF130A	BF130AH	BF130AHH
<b>BLF/BLHF</b> 2-Pole 120/240V AC Bolt-On	15	BF215A	BF215AH	—
	20	BF220A	BF220AH	—
	30	BF230A	BF230AH	—
	40	BF240A	BF240AH	—
	50	BF250A	BF250AH	—
	60	BF260A	BF260AH	—

### Ground Fault Equipment Protection (30mA)

Provides protection of equipment from damaging line-to-ground faults currents. De-energizes the circuit for all ungrounded conductors of the circuit.

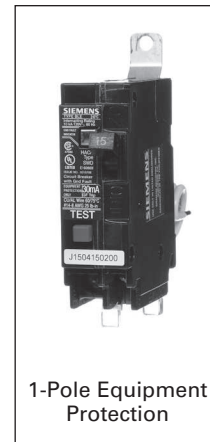
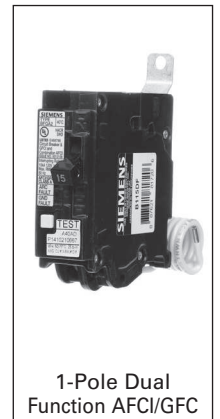
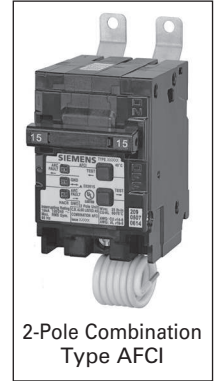
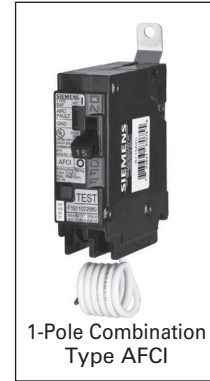
Breaker Type	Amp Rating	10k A IR Cat. No.	22k A IR Cat. No.
<b>BLE/ BLEH</b> 1-Pole, 120V AC Bolt-On	15	BE115 <sup>Ⓞ</sup>	BE115H <sup>■</sup> Ⓞ
	20	BE120 <sup>Ⓞ</sup>	BE120H <sup>■</sup> Ⓞ
	30	BE130	BE130H <sup>■</sup>
<b>BLE/ BLEH</b> 2-Pole 120/240V AC Bolt-On	15	BE215	BE215H <sup>■</sup>
	20	BE220	BE220H <sup>■</sup>
	30	BE230	BE230H <sup>■</sup>
	40	BE240	BE240H <sup>■</sup>
	50	BE250	BE250H <sup>■</sup>
	60	BE260	BE260H <sup>■</sup>

### QAF2/QPF/QE Accessories

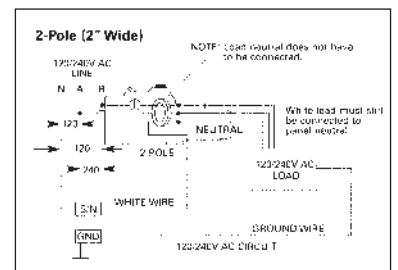
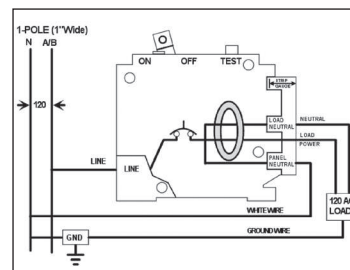
Description	Catalog Number
Padlocking Device 1-Pole	ECPLD1
Padlocking Device 2-Pole	ECPLD2
Handle Block	ECBX231M

■ Built to order. Allow 8-10 weeks for delivery.  
Ⓞ CSA / UL Listed as SWD (Switching Duty) Rated, suitable for 120V AC Fluorescent Lighting.

• CSA / UL Listed • HACR Rated



### Wiring Diagrams



# Molded Case Circuit Breakers

## Panelboard Mounting with INSTA-WIRE

Selection

### 1-Pole Bolt-On (120V AC)<sup>⑤</sup>

Continuous Current Rating @ 40° C	Type BL <sup>①②</sup>	Type BLH <sup>①②</sup>	Type HBL <sup>①②</sup>
	10,000A IR	22,000A IR	65,000A IR
	Catalogue Number	Catalogue Number	Catalogue Number
15	B115 <sup>③</sup>	B115H <sup>④</sup>	B115HH <sup>④</sup>
20	B12 <sup>③</sup>	B120H <sup>④</sup>	B120HH <sup>④</sup>
25	B125	B125H	B125HH■
30	B130	B130H	B130HH
35	B135	B135H■	B135HH■
40	B140	B140H	B140HH
45	B145■	B145H■	B145HH■
50	B150	B150H	B150HH■
60	B160	B160H■	B160HH■
70	B170	B170H■	B170HH■

### 2-Pole Bolt-On (Common-Trip 120/240V AC)<sup>④</sup>

15	B215	B215H	B215HH
20	B220	B220H	B220HH
25	B225	B225H■	B225HH■
30	B230	B230H	B230HH
35	B235	B235H■	B235HH■
40	B240	B240H	B240HH
45	B245	B245H■	B245HH■
50	B250	B250H	B250HH
60	B260	B260H	B260HH
70	B270	B270H■	B270HH■
80	B280	B280H■	B280HH■
90	B290	B290H■	B290HH■
100	B2100	B2100H	B2100HH
110	B2110■	B2110H■	B2110HH■
125	B2125	B2125H	B2125HH■

### 2-Pole Bolt-On (Common-Trip 240V AC)<sup>③⑥⑦</sup>

15	B215R	—	—
20	B220R	—	—
30	B230R	—	—
40	B240R■	—	—
50	B250R	—	—

### 3-Pole Bolt-On (Common-Trip 240V AC)<sup>⑦</sup>

15	B315	B315H	B315HH
20	B320	B320H	B320HH
25	B325	B325H	B325HH■
30	B330	B330H	B330HH
35	B335	B335H■	B335HH■
40	B340	B340H	B340HH
45	B345	B345H■	B345HH■
50	B350	B350H	B350HH
60	B360	B360H	B360HH
70	B370	B370H	B370HH
80	B380	B380H■	B380HH
90	B390	B390H■	B390HH
100	B3100	B3100H	B3100HH

### BL/BLH/HBL Internal Accessories

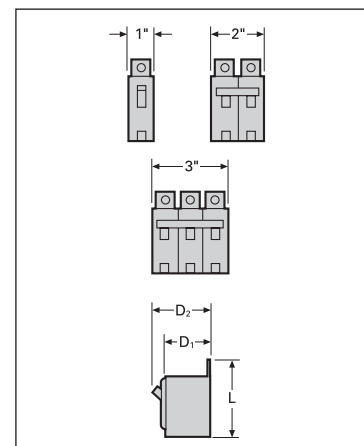
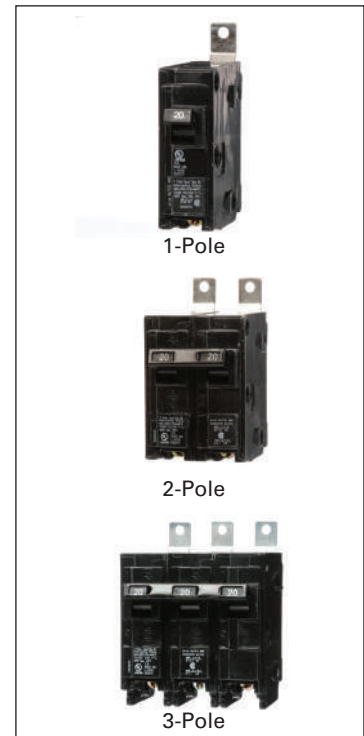
Description	Catalogue Number	Field/Factory Installed
120VAC Shunt Trip	add suffix...00S01■	Factory
24VAC Shunt Trip	add suffix...00S07■	Factory
120V Auxiliary Switch	add suffix...01■ <sup>⑧</sup>	Factory

■ Built to order. Allow 2-3 weeks for delivery

① CSA Certified / UL Listed for use with 60/75° wire through 40 amps, CSA Certified / UL Listed for use with 75° wire only for 50 amps and above, HACR rated. 120V AC Fluorescent Lighting.  
② 1A and 1B contacts.

③ CSA Certified / UL Listed for use on 3-phase grounded "B" systems — 10,000 for this application.  
④ CSA Certified / UL Listed for frequent switching applications (SWD).  
⑤ Shipped 12 per sleeve.  
⑥ Shipped 6 per sleeve.

⑦ Shipped 4 per sleeve.  
⑧ CSA Certified / UL Listed 5KA IR.  
⑨ 10 Amp breaker does not have INSTA-WIRE.  
⑩ For 3 Phase Applications.  
⑪ CSA Certified / UL Listed for reverse feed."  
⑫ CSA Certified for frequent switching applications (SWD)



Breaker Type	Amperes	Dimensions		
		L	D1	D2
BL, BLH	15-50	3 <sup>5</sup> / <sub>16</sub>	2 <sup>3</sup> / <sub>16</sub>	3
BL, BLH	55-125	3 <sup>3</sup> / <sub>16</sub>	2 <sup>3</sup> / <sub>16</sub>	3
HBL	15-125	3 <sup>3</sup> / <sub>16</sub>	2 <sup>3</sup> / <sub>16</sub>	3

For external accessories, please refer to page 5-154 - 5-159

# Molded Case Circuit Breakers

## BQD 100A Frame Panelboard Mounting Circuit Breakers

BQD<sup>④</sup>

Continuous Current Rating @ 40°C	1-Pole	2-Pole <sup>⑤</sup>	3-Pole <sup>③</sup>
	277V AC–125V DC Catalog Number	480Y/277V AC– 125/250V DC Catalog Number	480Y/277V AC Catalog Number
15	BQD115 <sup>①②</sup>	BQD215 <sup>⑤</sup>	BQD315 <sup>⑤</sup>
20	BQD120 <sup>①②</sup>	BQD220 <sup>⑤</sup>	BQD320 <sup>⑤</sup>
25	BQD125 <sup>⑤</sup>	BQD225 <sup>⑤</sup>	BQD325 <sup>⑤</sup>
30	BQD130 <sup>⑤</sup>	BQD230 <sup>⑤</sup>	BQD330 <sup>⑤</sup>
35	BQD135 <sup>②</sup>	BQD235 <sup>⑤</sup>	BQD335 <sup>⑤</sup>
40	BQD140 <sup>②</sup>	BQD240 <sup>⑤</sup>	BQD340 <sup>⑤</sup>
45	BQD145 <sup>②■</sup>	BQD245 <sup>⑤</sup>	BQD345 <sup>⑤</sup>
50	BQD150 <sup>②</sup>	BQD250 <sup>⑤</sup>	BQD350 <sup>⑤</sup>
60	BQD160	BQD260	BQD360
70	BQD170■	BQD270	BQD370
80	BQD180■	BQD280	BQD380
90	BQD190■	BQD290	BQD390
100	BQD1100■	BQD2100	BQD3100

BQD6 CSA Certified

Continuous Current Rating @ 40°C	1-Pole	2-Pole <sup>⑤</sup>	3-Pole <sup>③</sup>
	347V AC Catalog Number	600/347V AC Catalog Number	600/347V AC Catalog Number
15	BQD6115 <sup>①</sup>	BQD6215	BQD6315
20	BQD6120 <sup>①</sup>	BQD6220	BQD6320
25	BQD6125■	BQD6225■	BQD6325■
30	BQD6130	BQD6230	BQD6330
35	BQD6135■	BQD6235■	BQD6335■
40	BQD6140■	BQD6240■	BQD6340
45	BQD6145■	BQD6245■	BQD6345■
50	BQD6150■	BQD6250■	BQD6350
60	BQD6160■	BQD6260■	BQD6360
70	BQD6170■	BQD6270■	BQD6370

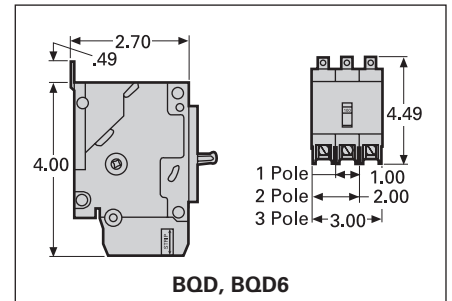
Interrupting Ratings

Breaker Type	Number of Poles	RMS Symmetrical Amperes (KA)							
		Volts AC						Volts DC	
		120	240	277	480/277	347	600/277	125	125/250
BQD (CSA/UL)	1	65	—	14	—	—	—	14	—
	2	—	65	—	14	—	—	—	14
	3	—	65	—	14	—	—	—	—
BQD6 (CSA)	1	65	—	—	—	10	—	14	—
	2	—	65	—	—	—	10	—	14
	3	—	65	—	—	—	10	—	—

For inches / millimeters conversion, see Technical section.  
■ Built to order. Allow 2–3 weeks for delivery.

① CSA Certified / UL Rated SWD rated for switching fluorescent lighting.  
② HID rated at 277V AC.  
③ Not suitable for 3-phase delta 480V applications.  
④ HACR rated.

## Selection/Dimensions



## Shipping Weights

Number of Poles	Number per Carton	Shipping Weight (lbs.) (ea.)
1	1/12/48	0.6
2	1/6/24	1.2
3	1/4/16	2.0

## Lugs For 60/75°C Wire

BQD – Load End Only	
15–40	#14–#6 AWG Cu #12–#6 AWG Al
45–100	#9–#1 AWG Cu #6–#1/0 AWG Al

For external accessories, please refer to pages 5-154 - 5-159  
For internal accessories, please refer to page 5-151 - 5-153

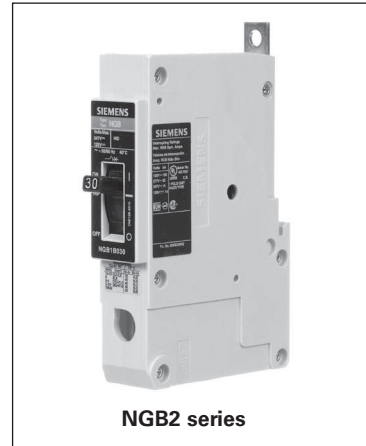
# Molded Case Circuit Breakers

## GB2 Frame

Selection

### Type NGB2<sup>®</sup> (Panelboard Mount)

Continuous Current Rating @ 40°C	1-Pole	2-Pole	3-Pole
	Catalogue Number	Catalogue Number	Catalogue Number
15	NGB1K015B <sup>①②</sup>	NGB2K015B <sup>②</sup>	NGB3K015B <sup>②</sup>
20	NGB1K020B <sup>①②</sup>	NGB2K020B <sup>②</sup>	NGB3K020B <sup>②</sup>
25	NGB1K025B <sup>②</sup>	NGB2K025B <sup>②</sup>	NGB3K025B <sup>②</sup>
30	NGB1K030B <sup>②</sup>	NGB2K030B <sup>②</sup>	NGB3K030B <sup>②</sup>
35	NGB1K035B <sup>②</sup>	NGB2K035B <sup>②</sup>	NGB3K035B <sup>②</sup>
40	NGB1K040B <sup>②</sup>	NGB2K040B <sup>②</sup>	NGB3K040B <sup>②</sup>
45	NGB1K045B <sup>②</sup>	NGB2K045B <sup>②</sup>	NGB3K045B <sup>②</sup>
50	NGB1K050B <sup>②</sup>	NGB2K050B <sup>②</sup>	NGB3K050B <sup>②</sup>
60	NGB1K060B	NGB2K060B	NGB3K060B
70	NGB1K070B	NGB2K070B	NGB3K070B
80	NGB1K080B	NGB2K080B	NGB3K080B
90	NGB1K090B	NGB2K090B	NGB3K090B
100	NGB1K100B	NGB2K100B	NGB3K100B
110	NGB1K110B	NGB2K110B	NGB3K110B
125	NGB1K125B	NGB2K125B	NGB3K125B



Load lugs are included as standard. HACR rated.

### Type HGB2<sup>®</sup> (Panelboard Mount)

Continuous Current Rating @ 40°C	1-Pole	2-Pole	3-Pole
	Catalogue Number	Catalogue Number	Catalogue Number
15	HGB1K015B <sup>①②</sup>	HGB2K015B <sup>②</sup>	HGB3K015B <sup>②</sup>
20	HGB1K020B <sup>①②</sup>	HGB2K020B <sup>②</sup>	HGB3K020B <sup>②</sup>
25	HGB1K025B <sup>②</sup>	HGB2K025B <sup>②</sup>	HGB3K025B <sup>②</sup>
30	HGB1K030B <sup>②</sup>	HGB2K030B <sup>②</sup>	HGB3K030B <sup>②</sup>
35	HGB1K035B <sup>②</sup>	HGB2K035B <sup>②</sup>	HGB3K035B <sup>②</sup>
40	HGB1K040B <sup>②</sup>	HGB2K040B <sup>②</sup>	HGB3K040B <sup>②</sup>
45	HGB1K045B <sup>②</sup>	HGB2K045B <sup>②</sup>	HGB3K045B <sup>②</sup>
50	HGB1K050B <sup>②</sup>	HGB2K050B <sup>②</sup>	HGB3K050B <sup>②</sup>
60	HGB1K060B	HGB2K060B	HGB3K060B
70	HGB1K070B	HGB2K070B	HGB3K070B
80	HGB1K080B	HGB2K080B	HGB3K080B
90	HGB1K090B	HGB2K090B	HGB3K090B
100	HGB1K100B	HGB2K100B	HGB3K100B
110	HGB1K110B	HGB2K110B	HGB3K110B
125	HGB1K125B	HGB2K125B	HGB3K125B

### Type LGB2<sup>®</sup> (Panelboard Mount)

Continuous Current Rating @ 40°C	1-Pole	2-Pole	3-Pole
	Catalogue Number	Catalogue Number	Catalogue Number
15	LGB1K015B <sup>①②</sup>	LGB2K015B <sup>②</sup>	LGB3K015B <sup>②</sup>
20	LGB1K020B <sup>①②</sup>	LGB2K020B <sup>②</sup>	LGB3K020B <sup>②</sup>
25	LGB1K025B <sup>②</sup>	LGB2K025B <sup>②</sup>	LGB3K025B <sup>②</sup>
30	LGB1K030B <sup>②</sup>	LGB2K030B <sup>②</sup>	LGB3K030B <sup>②</sup>
35	LGB1K035B <sup>②</sup>	LGB2K035B <sup>②</sup>	LGB3K035B <sup>②</sup>
40	LGB1K040B <sup>②</sup>	LGB2K040B <sup>②</sup>	LGB3K040B <sup>②</sup>
45	LGB1K045B <sup>②</sup>	LGB2K045B <sup>②</sup>	LGB3K045B <sup>②</sup>
50	LGB1K050B <sup>②</sup>	LGB2K050B <sup>②</sup>	LGB3K050B <sup>②</sup>
60	LGB1K060B	LGB2K060B	LGB3K060B
70	LGB1K070B	LGB2K070B	LGB3K070B
80	LGB1K080B	LGB2K080B	LGB3K080B
90	LGB1K090B	LGB2K090B	LGB3K090B
100	LGB1K100B	LGB2K100B	LGB3K100B
110	LGB1K110B	LGB2K110B	LGB3K110B
125	LGB1K125B	LGB2K125B	LGB3K125B

**5**  
MOLDED CASE  
CIRCUIT BREAKERS

### Shipping Weights

Number of Poles	Number per Carton	Shipping Weight lbs. (kg)
1	1	.75 (.34)
2	1	1.3 (.59)
3	1	2.0 (.98)

### Lugs for 60/75°C Wire

Type	Ampere Rating	Wire Size	Catalog Number
NGB2 HGB2 LGB2	15-30A	#14-#6 AWG Cu	TC1Q1 (qty. 1)
		#12-#6 AWG Al	3TC1Q1 (qty. 3)
	35-125A	#8-1/0 AWG Cu #8-2/0 AWG Al	3TC1GG20

### Interrupting Ratings (max. RMS symmetrical amperes kA)

Type	Poles	CSA 22.2 No. 5 / UL 489							
		Volts AC						Volts DC	
		120	240	277	480	347	600Y/347	125	125/250
NGB2	1	100	—	25	—	14	—	14	—
	2, 3	—	100	—	25	—	14	—	14 <sup>④</sup>
HGB2	1	100	—	35	—	22	—	14	—
	2, 3	—	100	—	35	—	22	—	14 <sup>④</sup>
LGB2	1	100	—	65	—	25	—	14	—
	2, 3	—	100	—	65	—	25	—	14 <sup>④</sup>

① SWD rated

② HID rated

③ 2-pole only

④ 2-pole only or two outer poles of 3-pole breaker

⑤ Suitable for reverse feed applications

For external accessories, please refer to pages 5-154 - 5-159  
For internal accessories, please refer to page 5-151 - 5-153



# Molded Case Circuit Breakers

## GB Frame

*Selection*

Type NGB Frame<sup>⑤</sup> (Panelboard Mount)

Continuous Current Rating @ 40°C	1-Pole	2-Pole	3-Pole
	Catalog Number	Catalog Number	Catalog Number
15	NGB1B015B <sup>①②</sup>	NGB2B015B <sup>②</sup>	NGB3B015B <sup>②</sup>
20	NGB1B020B <sup>①②</sup>	NGB2B020B <sup>②</sup>	NGB3B020B <sup>②</sup>
25	NGB1B025B <sup>②</sup>	NGB2B025B <sup>②</sup>	NGB3B025B <sup>②</sup>
30	NGB1B030B <sup>②</sup>	NGB2B030B <sup>②</sup>	NGB3B030B <sup>②</sup>
35	NGB1B035B <sup>②</sup>	NGB2B035B <sup>②</sup>	NGB3B035B <sup>②</sup>
40	NGB1B040B <sup>②</sup>	NGB2B040B <sup>②</sup>	NGB3B040B <sup>②</sup>
45	NGB1B045B <sup>②</sup>	NGB2B045B <sup>②</sup>	NGB3B045B <sup>②</sup>
50	NGB1B050B <sup>②</sup>	NGB2B050B <sup>②</sup>	NGB3B050B <sup>②</sup>
60	NGB1B060B	NGB2B060B	NGB3B060B
70	NGB1B070B	NGB2B070B	NGB3B070B
80	NGB1B080B	NGB2B080B	NGB3B080B
90	NGB1B090B	NGB2B090B	NGB3B090B
100	NGB1B100B	NGB2B100B	NGB3B100B
110	NGB1B110B	NGB2B110B	NGB3B110B
125	NGB1B125B	NGB2B125B	NGB3B125B



NGB1B030B

Load lugs are included as standard. HACR rated.

### Shipping Weights

Number of Poles	Number per Carton	Shipping Weight (lbs.) (ea.)
1	1	0.9 (0.4)
2	1	1.9 (0.9)
3	1	2.9 (1.2)

### Lugs For 60/75°C Wire

NGB		
Ampere Rating	Wire Size	Catalogue Number
15-30A	#14-#6 AWG Cu	Integral with breaker
	#12-#6 AWG Al	
35-125A	#8-1/0 AWG Cu	Integral with breaker
	#8-2/0 AWG Al	

### Interrupting Ratings (max. RMS symmetrical amperes kA)

Breaker Type	Number of Poles	CSA 22.2 No. 5 / UL 489							
		Volts AC						Volts DC	
		120	240	277	480Y/277	347	600Y/277	125	125/250
NGB	1	100	—	25	14	—	—	14	—
	2,3	—	100	—	—	25	14	—	14 <sup>④</sup>

① SWD rated.  
② HID rated.

③ 2-pole only.  
④ 2-pole only or two outer poles of 3-pole breaker  
⑤ Suitable for reverse feed applications

For external accessories, please refer to pages 5-154 - 5-159  
For internal accessories, please refer to page 5-151 - 5-153

# Molded Case Circuit Breakers

## Accessories

Selection

### Shunt Trip

Control Voltage		BQD, BQD6, CQD, CQD6, NGG, HGG, LGG, NGB, NGB2, HGB, HGB2, LGB2 and LGB2
V AC	V DC	
120	—	CQDST120
240	—	CQDST240
277	—	CQDST277
480	—	CQDST480
600	—	CQDST600
—	12	CQDST12
—	24	CQDST24
—	48	CQDST48
—	125	CQDST125



### Auxiliary Switch

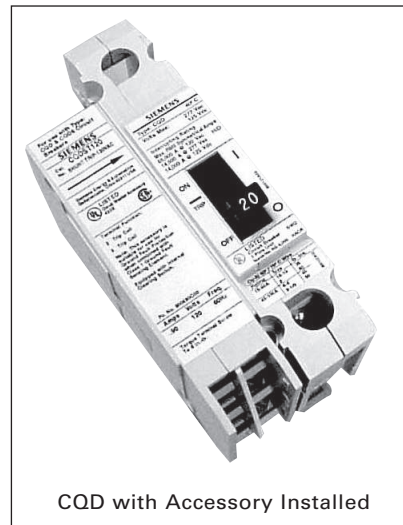
Maximum Voltage		Number of Contacts	BQD, BQD6, CQD, CQD6,NGG, HGG, LGG, NGB, NGB2, HGB, HGB2, LGB2 and LGB2
AC	DC		
240	125	1A-1B	CQDA1
240	125	2A-2B	CQDA2

### Alarm Switch

Maximum Voltage		BQD, BQD6, CQD, CQD6, NGG, HGG, LGG, NGB, NGB2, HGB, HGB2, LGB and LGB2
AC	DC	
240	125	CQDBA

### Shunt Trip and Auxiliary Switch Combinations

Shunt Trip Voltage		BQD, BQD6, CQD, CQD6, NGG, HGG, LGG, NGB, NGB2, HGB, HGB2, LGB and LGB2
AC	DC	
24	—	CQDST24AAS
120	—	CQDST120AAS
240	—	CQDST240AAS
277	—	CQDST277AAS
480	—	CQDST480AAS
600	—	CQDST600AAS
—	12	CQDST12DAS
—	24	CQDST24DAS
—	48	CQDST48DAS
—	125	CQDST125DAS



### Alarm and Auxiliary Switch Combinations

For Breaker	Catalog Number
BQD, BQD6, CQD, NGG, HGG, LGG, NGB, HGB and LGB	<b>CQDA1BA</b>

①Adds 1-pole space for accessory.

# Molded Case Circuit Breakers

## 3VA41 125A Thermal-magnetic Trip Circuit Breakers

Selection

### 3VA41 125A Frame, 3-Pole Thermal-Magnetic Trip Unit

Cont. Ampere Rating	S-Interrupting Class (SEAB)	M-Interrupting Class (MEAB)	H-Interrupting Class (HEAB)
	Catalog Number	Catalog Number	Catalog Number

TM210 FTFM

Cont. Ampere Rating	S-Interrupting Class (SEAB)	M-Interrupting Class (MEAB)	H-Interrupting Class (HEAB)
15	3VA4195-4ED34-0AA0	3VA4195-5ED34-0AA0	3VA4195-6ED34-0AA0
20	3VA4120-4ED34-0AA0	3VA4120-5ED34-0AA0	3VA4120-6ED34-0AA0
25	3VA4125-4ED34-0AA0	3VA4125-5ED34-0AA0	3VA4125-6ED34-0AA0
30	3VA4130-4ED34-0AA0	3VA4130-5ED34-0AA0	3VA4130-6ED34-0AA0
35	3VA4135-4ED34-0AA0	3VA4135-5ED34-0AA0	3VA4135-6ED34-0AA0
40	3VA4140-4ED34-0AA0	3VA4140-5ED34-0AA0	3VA4140-6ED34-0AA0
45	3VA4145-4ED34-0AA0	3VA4145-5ED34-0AA0	3VA4145-6ED34-0AA0
50	3VA4150-4ED34-0AA0	3VA4150-5ED34-0AA0	3VA4150-6ED34-0AA0
60	3VA4160-4ED34-0AA0	3VA4160-5ED34-0AA0	3VA4160-6ED34-0AA0
70	3VA4170-4ED34-0AA0	3VA4170-5ED34-0AA0	3VA4170-6ED34-0AA0
80	3VA4180-4ED34-0AA0	3VA4180-5ED34-0AA0	3VA4180-6ED34-0AA0
90	3VA4190-4ED34-0AA0	3VA4190-5ED34-0AA0	3VA4190-6ED34-0AA0
100	3VA4110-4ED34-0AA0	3VA4110-5ED34-0AA0	3VA4110-6ED34-0AA0
110	3VA4111-4ED34-0AA0	3VA4111-5ED34-0AA0	3VA4111-6ED34-0AA0
125	3VA4112-4ED34-0AA0	3VA4112-5ED34-0AA0	3VA4112-6ED34-0AA0



3VA41 125A 3-Pole

### Trip Settings for 3VA41

TM210 - FTFM		
I. (A)	I. (A)	I. (A)
15	15	300
20	20	300
25	25	300
30	30	300
35	35	350
40	40	400
45	45	450
50	50	500
60	60	600
70	70	700
80	80	800
90	90	900
100	100	1000
110	110	1100
125	125	1250

### Interrupting Ratings for 3VA41

Interrupting Class	Breaker Type	Poles	RMS Symmetrical Amperes (kA)						
			Volts AC (50/60 Hz)						
			120	240	277	347	480Y/277V	480	600Y/347V
S	SEAB	1	65		25	14			
		2, 3		65				25	25
M	MEAB	1	85		35	18			
		2, 3		85				35	35
H	HEAB	1	150		65	25			
		2, 3		150				65	65

### Dimensions

### Shipping Weight

Breaker	Poles	W in. (mm)	H in. (mm)	D in. (mm)	lbs.	kg
3VA41	1	1 (25.4)	5.1 (129.4)	3.6 (92.2)	0.62	0.28
3VA41	1 in 2	2 (50.8)	5.1 (129.4)	3.6 (92.2)	0.94	0.43
3VA41	2	2 (50.8)	5.1 (129.4)	3.6 (92.2)	1.13	0.51
3VA41	3	3 (76.2)	5.1 (129.4)	3.6 (92.2)	1.64	0.74

### Connectors for 75C Wire for 3VA41

Type	Min. cable size	Max. cable size	Catalog No. (kit of 3 lugs)
Steel wrap around (Cu cable only), 1 cable lugs	AWG 14	3/0	3VA9133-0JA11
Aluminum body lug small (Cu/Al cable), 1 cable lug	AWG 14	AWG 10	3VA9133-0JB10
Aluminum body lug (Cu/Al cable), 1 cable lugs	AWG 14	3/0	3VA9133-0JB11
Aluminum body lug small with control wire tap (Cu/Al cable), 1 cable lug	AWG 14	AWG 10	3VA9133-0JG10
Aluminum body lug with control wire tap (Cu/Al cable), 1 cable lugs	AWG 14	3/0	3VA9133-0JG11
Copper body lug small (Cu cable only), 1 cable lugs	AWG 14	AWG 10	3VA9133-0JD10
Copper body lug (Cu cable only), 1 cable lugs	AWG 14	2/0	3VA9133-0JD11
Copper body lug small with control wire tap (Cu cable only), 1 cable lugs	AWG 14	AWG 10	3VA9133-0JK10
Copper body lug with control wire tap (Cu cable only), 1 cable lugs	AWG 14	2/0	3VA9133-0JK11

### 3VA4 Accessories

Description	Catalog Number
Padlocking Device for 3VA4 breaker	3VA9038-0LB11

Internal accessories configuration	3VA4/3VA5 125 A 1 in 2-pole /2-pole		3VA4 125 A 3-pole	
	Slot No.:	23 22 21	23 22 21	11 12 13
Auxiliary switch	Type			
	AUX_HQ	x x x	x x x	x x x
	AUX_HQ_el	x x x	x x x	x x x
Leading changeover switch	Type			
	LCS_HQ			
	LCS_HQ_el			
Alarm switch	Type			
	TAS_HQ	x x x	x x x	x x x
	TAS_HQ_el	x x	x x	x x
Short circuit alarm switch	Type			
	SAS_HQ	x	x	x
	SAS_HQ_el			
Auxiliary release	Type			
	STF	x	x	x
	STL	x	x	x
Residual current release	Type			
	UNI	x	x	x
Other	Type			
	Cylinder lock (type Ronis)			x

# Molded Case Circuit Breakers

## 3VA41 125A Thermal-magnetic Trip Circuit Breakers

Selection

### 3VA41 125A Frame, 1-Pole Thermal-Magnetic Trip Unit

Cont. Ampere Rating	S-Interrupting Class (SEAB)	M-Interrupting Class (MEAB)	H-Interrupting Class (HEAB)
	Catalog Number	Catalog Number	Catalog Number
TM210 FTFM			
15	3VA4195-4ED14-0AA0	3VA4195-5ED14-0AA0	3VA4195-6ED14-0AA0
20	3VA4120-4ED14-0AA0	3VA4120-5ED14-0AA0	3VA4120-6ED14-0AA0
25	3VA4125-4ED14-0AA0	3VA4125-5ED14-0AA0	3VA4125-6ED14-0AA0
30	3VA4130-4ED14-0AA0	3VA4130-5ED14-0AA0	3VA4130-6ED14-0AA0
35	3VA4135-4ED14-0AA0	3VA4135-5ED14-0AA0	3VA4135-6ED14-0AA0
40	3VA4140-4ED14-0AA0	3VA4140-5ED14-0AA0	3VA4140-6ED14-0AA0
45	3VA4145-4ED14-0AA0	3VA4145-5ED14-0AA0	3VA4145-6ED14-0AA0
50	3VA4150-4ED14-0AA0	3VA4150-5ED14-0AA0	3VA4150-6ED14-0AA0
60	3VA4160-4ED14-0AA0	3VA4160-5ED14-0AA0	3VA4160-6ED14-0AA0
70	3VA4170-4ED14-0AA0	3VA4170-5ED14-0AA0	3VA4170-6ED14-0AA0
80	3VA4180-4ED14-0AA0	3VA4180-5ED14-0AA0	3VA4180-6ED14-0AA0
90	3VA4190-4ED14-0AA0	3VA4190-5ED14-0AA0	3VA4190-6ED14-0AA0
100	3VA4110-4ED14-0AA0	3VA4110-5ED14-0AA0	3VA4110-6ED14-0AA0
110	3VA4111-4ED14-0AA0	3VA4111-5ED14-0AA0	3VA4111-6ED14-0AA0
125	3VA4112-4ED14-0AA0	3VA4112-5ED14-0AA0	3VA4112-6ED14-0AA0



### 3VA41 125A Frame, 1 in 2-Pole Thermal-Magnetic Trip Unit

Cont. Ampere Rating	S-Interrupting Class (SEAB)	M-Interrupting Class (MEAB)	H-Interrupting Class (HEAB)
	Catalog Number	Catalog Number	Catalog Number
TM210 FTFM <sup>Ⓞ</sup>			
15	3VA4195-4ED54-0AA0	3VA4195-5ED54-0AA0	3VA4195-6ED54-0AA0
20	3VA4120-4ED54-0AA0	3VA4120-5ED54-0AA0	3VA4120-6ED54-0AA0
25	3VA4125-4ED54-0AA0	3VA4125-5ED54-0AA0	3VA4125-6ED54-0AA0
30	3VA4130-4ED54-0AA0	3VA4130-5ED54-0AA0	3VA4130-6ED54-0AA0
35	3VA4135-4ED54-0AA0	3VA4135-5ED54-0AA0	3VA4135-6ED54-0AA0
40	3VA4140-4ED54-0AA0	3VA4140-5ED54-0AA0	3VA4140-6ED54-0AA0
45	3VA4145-4ED54-0AA0	3VA4145-5ED54-0AA0	3VA4145-6ED54-0AA0
50	3VA4150-4ED54-0AA0	3VA4150-5ED54-0AA0	3VA4150-6ED54-0AA0
60	3VA4160-4ED54-0AA0	3VA4160-5ED54-0AA0	3VA4160-6ED54-0AA0
70	3VA4170-4ED54-0AA0	3VA4170-5ED54-0AA0	3VA4170-6ED54-0AA0
80	3VA4180-4ED54-0AA0	3VA4180-5ED54-0AA0	3VA4180-6ED54-0AA0
90	3VA4190-4ED54-0AA0	3VA4190-5ED54-0AA0	3VA4190-6ED54-0AA0
100	3VA4110-4ED54-0AA0	3VA4110-5ED54-0AA0	3VA4110-6ED54-0AA0
110	3VA4111-4ED54-0AA0	3VA4111-5ED54-0AA0	3VA4111-6ED54-0AA0
125	3VA4112-4ED54-0AA0	3VA4112-5ED54-0AA0	3VA4112-6ED54-0AA0

### 3VA41 125A Frame, 2-Pole Thermal-Magnetic Trip Unit

Cont. Ampere Rating	S-Interrupting Class (SEAB)	M-Interrupting Class (MEAB)	H-Interrupting Class (HEAB)
	Catalog Number	Catalog Number	Catalog Number
TM210 FTFM			
15	3VA4195-4ED24-0AA0	3VA4195-5ED24-0AA0	3VA4195-6ED24-0AA0
20	3VA4120-4ED24-0AA0	3VA4120-5ED24-0AA0	3VA4120-6ED24-0AA0
25	3VA4125-4ED24-0AA0	3VA4125-5ED24-0AA0	3VA4125-6ED24-0AA0
30	3VA4130-4ED24-0AA0	3VA4130-5ED24-0AA0	3VA4130-6ED24-0AA0
35	3VA4135-4ED24-0AA0	3VA4135-5ED24-0AA0	3VA4135-6ED24-0AA0
40	3VA4140-4ED24-0AA0	3VA4140-5ED24-0AA0	3VA4140-6ED24-0AA0
45	3VA4145-4ED24-0AA0	3VA4145-5ED24-0AA0	3VA4145-6ED24-0AA0
50	3VA4150-4ED24-0AA0	3VA4150-5ED24-0AA0	3VA4150-6ED24-0AA0
60	3VA4160-4ED24-0AA0	3VA4160-5ED24-0AA0	3VA4160-6ED24-0AA0
70	3VA4170-4ED24-0AA0	3VA4170-5ED24-0AA0	3VA4170-6ED24-0AA0
80	3VA4180-4ED24-0AA0	3VA4180-5ED24-0AA0	3VA4180-6ED24-0AA0
90	3VA4190-4ED24-0AA0	3VA4190-5ED24-0AA0	3VA4190-6ED24-0AA0
100	3VA4110-4ED24-0AA0	3VA4110-5ED24-0AA0	3VA4110-6ED24-0AA0
110	3VA4111-4ED24-0AA0	3VA4111-5ED24-0AA0	3VA4111-6ED24-0AA0
125	3VA4112-4ED24-0AA0	3VA4112-5ED24-0AA0	3VA4112-6ED24-0AA0

#### Ordering Information

The catalog numbers listed here are for complete, non-interchangeable trip circuit breakers with load lugs installed.

All 3VA41 thermal-magnetic trip circuit breakers are UL Listed and CSA Certified for reverse feed applications.

For NAVAL-rated 1, 2 or 3-P thermal-magnetic trip circuit breakers, change the 13th digit of the catalog number to the number "1". (For example, a 18KA @ 600/347VAC, 40A, 3-pole, NAVAL rated 3VA41 would be catalog number 3VA4140-5ED31-1AA0)

# Circuit Breakers

## Lug-In/Lug-Out with INSTA-WIRE

*Selection*

All BQ/BQH/HBQ circuit breakers are supplied with load side lugs. If line side lugs are required, add suffix "L" to catalog number. Consult Siemens for any additional charge. All standard circuit breakers are calibrated for 40°C maximum ambient application.

Continuous Current Rating @ 40° C	Type BQ <sup>①</sup>	Type BQH	Type HBQ
	10,000A IR Catalogue Number	22,000A IR Catalogue Number	65,000A IR Catalogue Number

### 1-Pole (120V AC)<sup>②</sup>

Rating	Type BQ <sup>①</sup>	Type BQH	Type HBQ
15	BQ1B015 <sup>③④</sup>	BQ1B015H <sup>④</sup>	HB1B015 <sup>④</sup>
20	BQ1B020 <sup>③④</sup>	BQ1B020H <sup>④</sup>	HB1B020 <sup>④</sup>
25	BQ1B025	BQ1B025H	HB1B025
30	BQ1B030	BQ1B030H	HB1B030
35	BQ1B035	BQ1B035H	HB1B035
40	BQ1B040	BQ1B040H	HB1B040
45	BQ1B045	—	HB1B045
50	BQ1B050	BQ1B050H	HB1B050
60	BQ1B060 <sup>⑤</sup>	BQ1B060H	HB1B060
70	BQ1B070	BQ1B070H	HB1B070

### 2-Pole (Common-Trip 120/240V AC)<sup>②</sup>

Rating	Type BQ <sup>①</sup>	Type BQH	Type HBQ
15	BQ2B015	BQ2B015H	HB2B015
20	BQ2B020	BQ2B020H	HB2B020
25	BQ2B025	BQ2B025H	HB2B025
30	BQ2B030	BQ2B030H	HB2B030
35	BQ2B035	BQ2B035H	HB2B035
40	BQ2B040	BQ2B040H	HB2B040
45	BQ2B045	—	HB2B045
50	BQ2B050	BQ2B050H	HB2B050
60	BQ2B060 <sup>⑤</sup>	BQ2B060H	HB2B060
70	BQ2B070	BQ2B070H	HB2B070
80	BQ2B080	BQ2B080H	HB2B080
90	BQ2B090	BQ2B090H	HB2B090
100	BQ2B100	BQ2B100H	HB2B100
110	BQ2B110	—	HB2B110
125	BQ2B125	BQ2B125H	HB2B125

### 2-Pole (Common-Trip 240V AC)<sup>③⑥</sup>

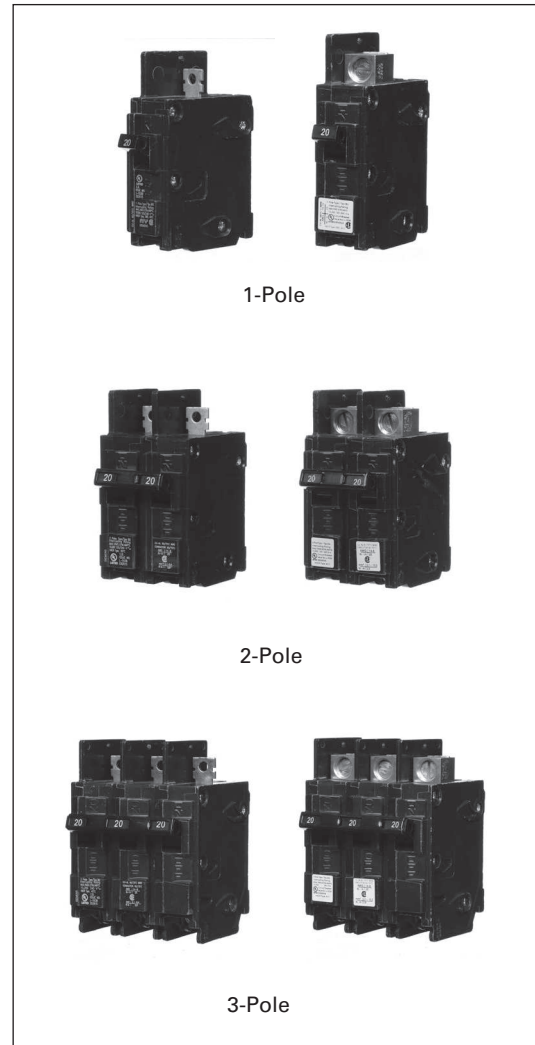
Rating	Type BQ <sup>①</sup>	Type BQH	Type HBQ
15	BQ2H015	—	—
20	BQ2H020	—	—
30	BQ2H030	—	—
40	BQ2H040	—	—
50	BQ2H050	—	—
60	BQ2H060	—	—
70	BQ2H070	—	—
80	BQ2H080	—	—
90	BQ2H090	—	—
100	BQ2H100	—	—

### 3-Pole (Common-Trip 240V AC)<sup>②</sup>

Rating	Type BQ <sup>①</sup>	Type BQH	Type HBQ
15	BQ3B015	BQ3B015H	HB3B015
20	BQ3B020	BQ3B020H	HB3B020
25	BQ3B025	BQ3B025H	HB3B025
30	BQ3B030	BQ3B030H	HB3B030
35	BQ3B035	BQ3B035H	HB3B035
40	BQ3B040	BQ3B040H	HB3B040
45	BQ3B045	BQ3B045H	HB3B045
50	BQ3B050	BQ3B050H	HB3B050
60	BQ3B060	BQ3B060H	HB3B060
70	BQ3B070	BQ3B070H	HB3B070
80	BQ3B080	BQ3B080H	HB3B080
90	BQ3B090	BQ3B090H	HB3B090
100	BQ3B100	BQ3B100H	HB3B100

### BQ / BQH / HBQ Internal Accessories

Description	Catalogue Number	Field/Factory Installed
120VAC Shunt Trip	add suffix...00S01	Factory
24VAC Shunt Trip	add suffix...00S07	Factory
120V Auxiliary Switch	add suffix...01 <sup>⑦</sup>	Factory



### Factory Modifications

Description	Catalogue Number
Line Side Lugs	add suffix...L
Quick Connect Lug	add suffix...QX
400Hz Calibration	add suffix...Y <sup>⑧</sup>
Marine 50° C Ambient Calibration	add suffix...M
Fungus Proofing	add suffix...F

■ Built to order. Allow 2-3 weeks for delivery

① CSA Certified / UL Listed for use with 60/75° wire through 40 amps, CSA Certified / UL Listed for use with 75° wire only for 50 amps and above, HACR rated.

② 1A and 1B contacts.

③ CSA Certified / UL Listed for use on 3-phase grounded "B" systems — 10,000 for this application.

④ CSA Certified / UL Listed for frequent switching applications (SWD). 120V AC Fluorescent Lighting.

⑤ Shipped 12 per sleeve.

⑥ Shipped 6 per sleeve.

⑦ Shipped 4 per sleeve.

⑧ CSA Certified / UL Listed 5KA IR.

⑨ Refer to Table A on page 5-86

⑩ CSA Certified for frequent switching applications (SWD)

For external accessories, please refer to page 5-154 - 5-159



# Molded Case Circuit Breakers

## DIN Rail Mounted Circuit Breakers

## Selection/Dimensions

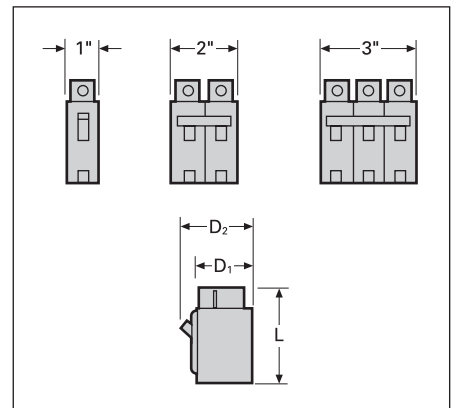
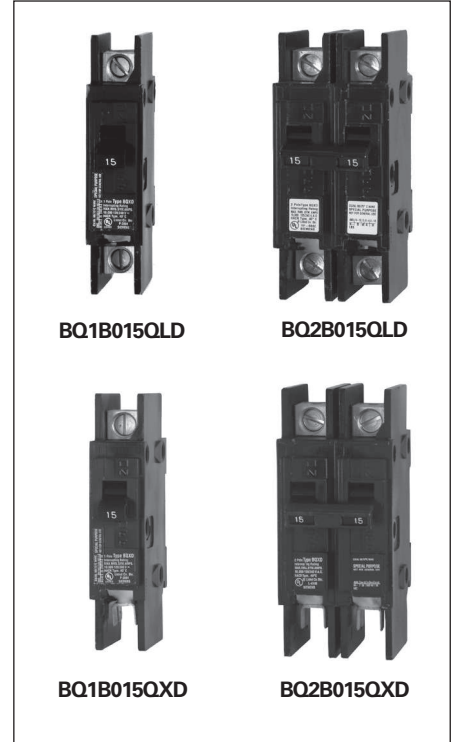
Breaker Type	Ampere Rating	Catalog Number	Line Side Connector	Load Side Connector	Interrupting Ratings (KA) (RMS Symmetrical Amperes) Volts AC	
					120	120/240

### 1-Pole DIN Rail (120V AC)

<b>BQLD</b> 1-Pole 120V DIN Rail	10	BQ1B010QLD	TC1Q1	TC1Q1	10	
	15	BQ1B015QLD	TC1Q1	TC1Q1	10	
	20	BQ1B020QLD	TC1Q1	TC1Q1	10	
	25	BQ1B025QLD	TC1Q1	TC1Q1	10	
	30	BQ1B030QLD	TC1Q1	TC1Q1	10	
	35	BQ1B035QLD	TC1Q1	TC1Q1	10	
	40	BQ1B040QLD	TC1Q1	TC1Q1	10	
<b>BOXD</b> 1-Pole 120V DIN Rail	45	BQ1B045QLD	TA1Q1	TA1Q1	10	
	50	BQ1B050QLD	TA1Q1	TA1Q1	10	
	60	BQ1B060QLD	TA1Q1	TA1Q1	10	
	10	BQ1B010QXD	TC1Q1	Quick-Connect	10	
	15	BQ1B015QXD	TC1Q1	Quick-Connect	10	
	20	BQ1B020QXD	TC1Q1	Quick-Connect	10	
	25	BQ1B025QXD	TC1Q1	Quick-Connect	10	
<b>BOXD</b> 1-Pole 120V DIN Rail	30	BQ1B030QXD	TC1Q1	Quick-Connect	10	
	35	BQ1B035QXD	TC1Q1	Quick-Connect	10	
	40	BQ1B040QXD	TC1Q1	Quick-Connect	10	
	45	BQ1B045QXD	TA1Q1	Quick-Connect	10	
	50	BQ1B050QXD	TA1Q1	Quick-Connect	10	
	60	BQ1B060QXD	TA1Q1	Quick-Connect	10	

### 2-Pole DIN Rail (120/240V AC)

<b>BQLD</b> 2-Pole 120/240V DIN Rail	10	BQ2B010QLD	TC1Q1	TC1Q1		10
	15	BQ2B015QLD	TC1Q1	TC1Q1		10
	20	BQ2B020QLD	TC1Q1	TC1Q1		10
	25	BQ2B025QLD	TC1Q1	TC1Q1		10
	30	BQ2B030QLD	TC1Q1	TC1Q1		10
	35	BQ2B035QLD	TC1Q1	TC1Q1		10
	40	BQ2B040QLD	TC1Q1	TC1Q1		10
<b>BOXD</b> 2-Pole 120/240V DIN Rail	45	BQ2B045QLD	TA1Q1	TA1Q1		10
	50	BQ2B050QLD	TA1Q1	TA1Q1		10
	60	BQ2B060QLD	TA1Q1	TA1Q1		10
	10	BQ2B010QXD	TC1Q1	Quick-Connect		10
	15	BQ2B015QXD	TC1Q1	Quick-Connect		10
	20	BQ2B020QXD	TC1Q1	Quick-Connect		10
	25	BQ2B025QXD	TC1Q1	Quick-Connect		10
<b>BOXD</b> 2-Pole 120/240V DIN Rail	30	BQ2B030QXD	TC1Q1	Quick-Connect		10
	35	BQ2B035QXD	TC1Q1	Quick-Connect		10
	40	BQ2B040QXD	TC1Q1	Quick-Connect		10
	45	BQ2B045QXD	TA1Q1	Quick-Connect		10
	50	BQ2B050QXD	TA1Q1	Quick-Connect		10
	60	BQ2B060QXD	TA1Q1	Quick-Connect		10



### Lugs-For Use with BOXD<sup>⑥</sup>

Circuit Breaker Amp. Rtg.	Cab. Per Lug	Lug Wire Range AWG	Catalogue Number
Line Side			
10-40	1	#16-#6 Cu #12-#6 Al	TC1Q1 <sup>①②</sup>
45-125	1000	#8-#1 Cu #6-#1/0 Al	TA1Q1

### Finger Safe Terminal Shield

Protects against accidental contact with lugs-1 per lug. Fits line and load end.

Catalogue Number	Qty
BQFS2	2
BQFS1K	1000

Breaker Type	Amperes	Dimensions (inches)		
		L	D1	D2
BQ, BQH	15-50	3 <sup>3</sup> / <sub>4</sub>	2 <sup>3</sup> / <sub>8</sub>	3
BQ, BQH	55-125	4	2 <sup>3</sup> / <sub>8</sub>	3
HBQ	15-125	4	2 <sup>3</sup> / <sub>8</sub>	3
BQXD	15-60	4 <sup>1</sup> / <sub>2</sub>	2 <sup>3</sup> / <sub>8</sub>	3

Enclosures page 5-139 – 5-146  
Accessories pages 5-151 - 5-159

For inches / millimeters conversion, see Technical section.

■ Built to order. Allow 2-3 weeks for delivery.

① CSA Certified / UL Listed for use with 60/75° wire through 40 amps, CSA Certified / UL listed for use with 75° wire only for 50 amps and above, HACR rated.

② Connector has steel construction.

③ Surface mounted indoor. If flush mounting is required, replace suffix "S" in catalog number with suffix "F".

④ Neutral included in enclosure.

⑤ Enclosure will not accept circuit breakers with shunt trips or auxiliary switches installed.

⑥ Type BOXD uses TA1Q1 or TC1Q1 lugs on line side of circuit breaker.



# Molded Case Circuit Breakers

## QR 250A Frame

## Selection/Dimensions

Continuous Current Rating @ 40°C	2-Pole 240V AC Catalog Number	3-Pole 240V AC Catalog Number
----------------------------------	-------------------------------	-------------------------------

### Type QR2<sup>②</sup>

100	QR22B100	QR23B100
125	QR22B125	QR23B125
150	QR22B150	QR23B150
175	QR22B175	QR23B175
200	QR22B200	QR23B200
225	QR22B225	QR23B225
250	QR22B250	QR23B250

### Type QRH2<sup>②</sup>

100	QRH22B100■	QRH23B100
125	QRH22B125	QRH23B125
150	QRH22B150	QRH23B150
175	QRH22B175■	QRH23B175
200	QRH22B200	QRH23B200
225	QRH22B225	QRH23B225
250	QRH22B250	QRH23B250

### Type HQR2<sup>②</sup>

100	HQR22B100■	HQR23B100
125	HQR22B125	HQR23B125
150	HQR22B150	HQR23B150
175	HQR22B175■	HQR23B175
200	HQR22B200	HQR23B200
225	HQR22B225	HQR23B225
250	HQR22B250	HQR23B250

### Type HQR2H<sup>②</sup>

100	HQR22B100H	HQR23B100H
125	HQR22B125H	HQR23B125H
150	HQR22B150H	HQR23B150H
175	HQR22B175H	HQR23B175H
200	HQR22B200H	HQR23B200H
225	HQR22B225H	HQR23B225H
250	HQR22B250H	HQR23B250H

### Ordering Information

Load side 3TA1QR300 lugs are mounted and included when circuit breaker is ordered. For line and load lugs (3TA1QR300) installed at no additional charge, add suffix "L" to catalog number.

**50°C Calibration** - See page 5-160.  
**400HZ** - See page 5-160.

### Shipping Weights

Number of Poles	Number per Carton	Shipping Weight (lbs.)
2	1	3.2
3	1	4.5

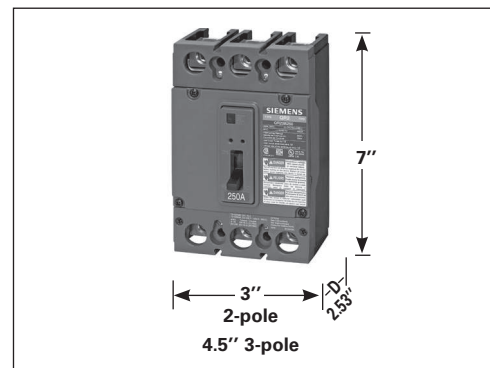
### Lugs For 75°C Wire<sup>①</sup>

Catalog Number	Lug Body	Lug Wire Range
3TA1QR300	Al	#3 - 300 Kcmil Al/Cu
3TC1QR250	Cu	#3 - 300 Kcmil Cu ONLY

### CSA C22.2 No. 5 / UL 489

### Interrupting Ratings

Breaker Type	RMS Symmetrical Amperes (kA) Volts AC (50/60 Hz)
	240
QR2	10
QRH2	25
HQR2	65
HQR2H	100



For external accessories, please refer to pages 5-154 - 5-159. For internal accessories, please refer to page 5-151 - 5-153.

■ Built to order. Allow 2-3 weeks for delivery.

① See **Note: A** page 5-147.

② HACR rated.

**Note:** Suitable for reverse feed applications

# Molded Case Circuit Breakers

## CQD 100A Frame

## Selection/Dimensions

### Type CQD (Cable In - Cable Out) DIN Rail Mount<sup>③</sup>

Continuous Current Rating @ 40°C	1-Pole	2-Pole	3-Pole
	277V AC 125V DC	480Y/277V AC 125/250V DC	480Y/277V AC
	Catalog Number	Catalog Number	Catalog Number
15	CQD115 <sup>①②</sup>	CQD215 <sup>②</sup>	CQD315 <sup>②</sup>
20	CQD120 <sup>①②</sup>	CQD220 <sup>②</sup>	CQD320 <sup>②</sup>
25	CQD125 <sup>②</sup>	CQD225 <sup>②</sup>	CQD325 <sup>②</sup>
30	CQD130 <sup>②</sup>	CQD230 <sup>②</sup>	CQD330 <sup>②</sup>
35	CQD135 <sup>②</sup> ■	CQD235 <sup>②</sup> ■	CQD335 <sup>②</sup>
40	CQD140 <sup>②</sup> ■	CQD240 <sup>②</sup>	CQD340 <sup>②</sup>
45	CQD145 <sup>②</sup> ■	CQD245 <sup>②</sup> ■	CQD345 <sup>②</sup> ■
50	CQD150 <sup>②</sup> ■	CQD250 <sup>②</sup>	CQD350 <sup>②</sup>
60	CQD160■	CQD260	CQD360
70	CQD170■	CQD270	CQD370
80	CQD180■	CQD280	CQD380
90	CQD190■	CQD290■	CQD390
100	CQD1100■	CQD2100	CQD3100

### Shipping Weights

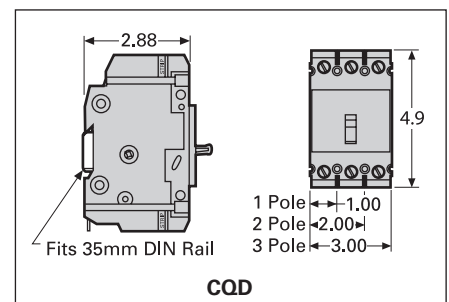
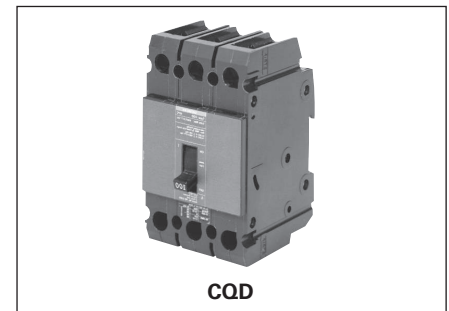
Number of Poles	Number per Carton	Shipping Weight lbs. (kg)
1	1	0.5 (0)
2	1	1.0 (0)
3	1	1.5 (1)

### Lugs For 60/75°C Wire

Amps	Wire Size
15-40	#14-#6 AWG Cu #12-#6 AWG Al
45-100	#8-#1 AWG Cu #8-#1/0 AWG Al

### Interrupting Ratings

Breaker Type	Number of Poles	RMS Symmetrical Amperes (KA)						
		Volts AC					Volts DC	
		120	240	277	480/277	600/277	125	125/250
CQD (CSA/UL)	1	65	—	14	—	—	14	—
	2	—	65	—	14	—	—	14
	3	—	65	—	14	—	—	—



For inches / millimeters conversion, see Technical section.

■ Built to order. Allow 2-3 weeks for delivery.

① SWD rated.

Note: Suitable for reverse feed applications

② HID rated.

③ HACR rated.

Enclosures page 5-139 – 5-146  
Accessories pages 5-151 - 5-159

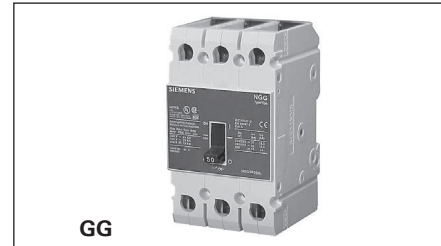
# Molded Case Circuit Breakers

## GG 125A Frame

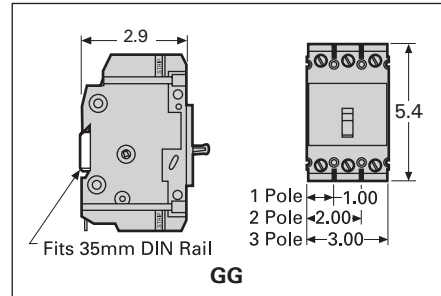
## Selection/Dimensions

### GG 125A Frame (Cable In - Cable Out)

Continuous Current Rating @ 40°C	1-Pole	2-Pole	3-Pole
	Catalog Number	Catalog Number	Catalog Number
15	NGG1B015L <sup>①②</sup>	NGG2B015L <sup>②</sup>	NGG3B015L <sup>②</sup>
20	NGG1B020L <sup>①②</sup>	NGG2B020L <sup>②</sup>	NGG3B020L <sup>②</sup>
25	NGG1B025L <sup>②</sup>	NGG2B025L <sup>②</sup>	NGG3B025L <sup>②</sup>
30	NGG1B030L <sup>②</sup>	NGG2B030L <sup>②</sup>	NGG3B030L <sup>②</sup>
35	NGG1B035L <sup>②</sup>	NGG2B035L <sup>②</sup>	NGG3B035L <sup>②</sup>
40	NGG1B040L <sup>②</sup>	NGG2B040L <sup>②</sup>	NGG3B040L <sup>②</sup>
45	NGG1B045L <sup>②</sup>	NGG2B045L <sup>②</sup>	NGG3B045L <sup>②</sup>
50	NGG1B050L <sup>②</sup>	NGG2B050L <sup>②</sup>	NGG3B050L <sup>②</sup>
60	NGG1B060L	NGG2B060L	NGG3B060L
70	NGG1B070L	NGG2B070L	NGG3B070L
80	NGG1B080L	NGG2B080L	NGG3B080L
90	NGG1B090L	NGG2B090L	NGG3B090L
100	NGG1B100L	NGG2B100L	NGG3B100L
110	NGG1B110L	NGG2B110L	NGG3B110L
125	NGG1B125L	NGG2B125L	NGG3B125L



GG



GG

Line and load lugs are included as standard. If no lugs are required, remove the "L" suffix. HACR rated. Suitable for screws or DIN rail mounting.

### Type HGG (Cable In - Cable Out)

Continuous Current Rating @ 40°C	1-Pole	2-Pole	3-Pole
	Catalog Number	Catalog Number	Catalog Number
15	HGG1B015L <sup>①②</sup>	HGG2B015L <sup>②</sup>	HGG3B015L <sup>②</sup>
20	HGG1B020L <sup>①②</sup>	HGG2B020L <sup>②</sup>	HGG3B020L <sup>②</sup>
25	HGG1B025L <sup>②</sup>	HGG2B025L <sup>②</sup>	HGG3B025L <sup>②</sup>
30	HGG1B030L <sup>②</sup>	HGG2B030L <sup>②</sup>	HGG3B030L <sup>②</sup>
35	HGG1B035L <sup>②</sup>	HGG2B035L <sup>②</sup>	HGG3B035L <sup>②</sup>
40	HGG1B040L <sup>②</sup>	HGG2B040L <sup>②</sup>	HGG3B040L <sup>②</sup>
45	HGG1B045L <sup>②</sup>	HGG2B045L <sup>②</sup>	HGG3B045L <sup>②</sup>
50	HGG1B050L <sup>②</sup>	HGG2B050L <sup>②</sup>	HGG3B050L <sup>②</sup>
60	HGG1B060L	HGG2B060L	HGG3B060L
70	HGG1B070L	HGG2B070L	HGG3B070L
80	HGG1B080L	HGG2B080L	HGG3B080L
90	HGG1B090L	HGG2B090L	HGG3B090L
100	HGG1B100L	HGG2B100L	HGG3B100L
110	HGG1B110L	HGG2B110L	HGG3B110L
125	HGG1B125L	HGG2B125L	HGG3B125L

### Type LGG (Cable In - Cable Out)

Continuous Current Rating @ 40°C	1-Pole	2-Pole	3-Pole
	Catalog Number	Catalog Number	Catalog Number
15	LGG1B015L <sup>①②</sup>	LGG2B015L <sup>②</sup>	LGG3B015L <sup>②</sup>
20	LGG1B020L <sup>①②</sup>	LGG2B020L <sup>②</sup>	LGG3B020L <sup>②</sup>
25	LGG1B025L <sup>②</sup>	LGG2B025L <sup>②</sup>	LGG3B025L <sup>②</sup>
30	LGG1B030L <sup>②</sup>	LGG2B030L <sup>②</sup>	LGG3B030L <sup>②</sup>
35	LGG1B035L <sup>②</sup>	LGG2B035L <sup>②</sup>	LGG3B035L <sup>②</sup>
40	LGG1B040L <sup>②</sup>	LGG2B040L <sup>②</sup>	LGG3B040L <sup>②</sup>
45	LGG1B045L <sup>②</sup>	LGG2B045L <sup>②</sup>	LGG3B045L <sup>②</sup>
50	LGG1B050L <sup>②</sup>	LGG2B050L <sup>②</sup>	LGG3B050L <sup>②</sup>
60	LGG1B060L	LGG2B060L	LGG3B060L
70	LGG1B070L	LGG2B070L	LGG3B070L
80	LGG1B080L	LGG2B080L	LGG3B080L
90	LGG1B090L	LGG2B090L	LGG3B090L
100	LGG1B100L	LGG2B100L	LGG3B100L
110	LGG1B110L	LGG2B110L	LGG3B110L
125	LGG1B125L	LGG2B125L	LGG3B125L

5 MOLDED CASE CIRCUIT BREAKERS

### Shipping Weights

Number of Poles	Number per Carton	Shipping Weight lbs. (kg)
1	1	0.75 (0.34)
2	1	1.3 (0.59)
3	1	2.0 (0.98)

### Lugs For 60/75°C Wire

NGG		
Ampere Rating	Wire Size	Catalogue Number
15-30A	#14-#6 AWG Cu	TC1Q1 (qty. 1)
	#12-#6 AWG Al	3TC1Q1 (qty. 3)
35-125A	#8-1/0 AWG Cu #8-2/0 AWG Al	3TC1GG20 (qty. 3)
15-125A	Nut Keeper plate w/ screw (for crimp terminals)	TNKG3 (qty. 3)

### Interrupting Ratings (max. RMS symmetrical amperes kA)

Breaker Type	Poles	CSA 22.2 No. 5 / UL 489								IEC 60947-2 (Ics = 50%Icu)		
		Volts AC								Volts DC		
		120	240	277	347	480	600Y/347	125	125/250	240	415	125/250
NGG	1	65	—	25	14	—	—	14	—	25	—	—
	2,3	—	65	—	—	25	14	—	14 <sup>①</sup>	65	—	14
HGG	1	85	—	35	14	—	—	14	—	—	—	—
	2,3	—	85	—	—	35	14	—	14 <sup>①</sup>	—	—	—
LGG	1	100	—	65	14	—	—	14	—	—	—	—
	2,3	—	100	—	—	65	14	—	14 <sup>①</sup>	—	—	—

For inches / millimeters conversion, see Technical section.

① HID rated at 15-50A 1-pole @ 277 VAC; 2 & 3-pole @ 480 VAC

Enclosures page 5-139 - 5-146  
Accessories pages 5-151 - 5-159

# Molded Case Circuit Breakers

## Accessories

Selection

### Shunt Trip

Control Voltage		BQD, BQD6, CQD, NGG, HGG, LGG, NGB, HGB and LGB Catalog Number
V AC	V DC	
120	—	CQDST120
240	—	CQDST240▲
277	—	CQDST277▲
480	—	CQDST480▲
600	—	CQDST600
—	12	CQDST12
—	24	CQDST24
—	48	CQDST48
—	125	CQDST125

### Auxiliary Switch

Maximum Voltage		Number of Contacts	BQD, BQD6, CQD, NGG, HGG, LGG, NGB, HGB and LGB Catalog Number
AC	DC		
240	125	1A-1B	CQDA1
240	125	2A-2B	CQDA2

### Alarm Switch

Maximum Voltage		BQD, BQD6, CQD, NGG, HGG, LGG, NGB, HGB and LGB Catalog Number
AC	DC	
240	125	CQDBA

### Shunt Trip and Auxiliary Switch Combinations

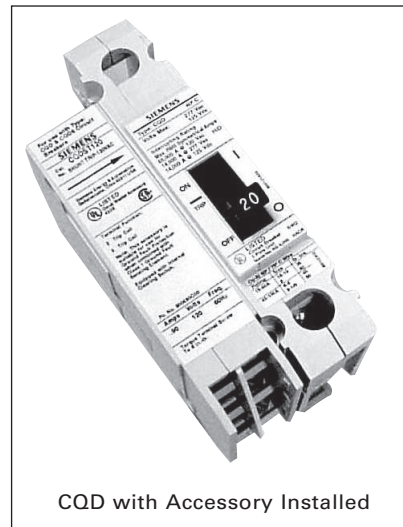
Shunt Trip Voltage		BQD, BQD6, CQD, NGG, HGG, LGG, NGB, HGB and LGB Catalog Number
AC	DC	
24	—	CQDST24AAS▲
120	—	CQDST120AAS▲
240	—	CQDST240AAS▲
277	—	CQDST277AAS▲
480	—	CQDST480AAS▲
600	—	CQDST600AAS▲
—	12	CQDST12DAS▲
—	24	CQDST24DAS▲
—	48	CQDST48DAS▲
—	125	CQDST125DAS▲

### Alarm and Auxiliary Switch Combinations

For Breaker	Catalog Number
BQD, BQD6, CQD, NGG, HGG, LGG, NGB, HGB and LGB	CQDA1BA▲



CQDST120AAS



CQD with Accessory Installed

▲ Built to order. Allow 6-8 weeks for delivery.

Ⓞ Adds 1-pole space for accessory.

# Molded Case Circuit Breakers

## 3VA CSA / UL Circuit Breakers

## Catalog Numbering System

Catalogue Numbering Logic



Breaker Designation	
Thermal magnetic panelboard breakers	4
Thermal magnetic (Cable-in Cable-out) breakers	5
Electronic trip breakers	6

Frame Size	
125/150A	1
250A	2
400A	3
600A	4
800A	5
1000A	6

Rated Current											
3VA41/ 3VA51	3VA52	3VA53	3VA54	3VA55	3VA61	3VA62	3VA63	3VA64	3VA65	3VA66	
15A											95
20A	200A	200A									20
	225A	225A									22
25A	250A	250A				250A	250A				25
30A		300A									30
35A		350A									35
40A	40A	400A			40A		400A	400A			40
45A	45A		450A								45
50A	50A		500A								50
60A	60A		600A	600A				600A	600A		60
70A	70A			700A							70
80A	80A			800A					800A		80
90A	90A										90
100A	100A				100A	100A				1000A	10
110A	110A										11
125A	125A										12
	150A				150A						15
	175A										17

Interrupting Capacity @ 600V / 480V		
3VA4/3VA5	3VA6	
MCP/MCS	100K / 200K	0
MCP/MCS	MCP/MCS	1
14K / 25K		4
18K / 35K	18K / 35K	5
25K / 65K	22K / 65K	6
35K / 100K	35K / 100K	7
	50K / 150K	8

Trip Unit Protection Functions (see next page for details)

Number of Poles (see next page for details)

Connection Technology (see next page for details)

Regional Specifics (as applicable) (see next page for details)

Auxiliary Releases (see next page for details)

Auxiliary/Alarm Switches (see next page for details)

5  
MOLDED CASE  
CIRCUIT BREAKERS

# Molded Case Circuit Breakers

## 3VA CSA / UL Circuit Breakers

## Catalog Numbering System

Catalogue Numbering Logic (cont.)



(see previous page for details)

Trip Unit Protection Functions											
3VA4/3VA5		L	I	N							
TM230	MCCB	fix	adj								EC
TM210	MCCB	fix	fix								ED
TM240	MCCB	adj	adj								EF
TM230	MCCB	fix	adj	100%							GC
TM210	MCCB	fix	fix	100%							GD
TM240	MCCB	adj	adj	100%							GF
TM110M	MSP		fix								MG
TM120M	MSP		adj								MH
TM120M	MSP		adj								MU
MCS110	MSC		fix								BB
3VA6		L	S	I	G	N	LCD	com.	measurement	values	
ETU320 LI	MCCB	adj		adj		0%/50%/100%					HL
ETU330 LIG	MCCB	adj		adj	adj	0%/50%/100%					HM
ETU350 LSI	MCCB	adj	adj	fix		0%/50%/100%					HN
ETU550 LSI	MCCB	adj	adj	adj		20/40%...100/160%	yes	yes	standard		JP
ETU556 LSI(G)	MCCB	adj	adj	adj	alarm	20/40%...100/160%	yes	yes	standard		JT
ETU560 LSIG	MCCB	adj	adj	adj	adj	20/40%...100/160%	yes	yes	standard		JQ
ETU820 LI	MCCB	adj		adj		20/40%...100/160%	yes	yes	advanced		KL
ETU830 LIG	MCCB	adj		adj	adj	20/40%...100/160%	yes	yes	advanced		KM
ETU850LSI	MCCB	adj	adj	adj		20/40%...100/160%	yes	yes	advanced		KP
ETU856 LSI(G)	MCCB	adj	adj	adj	alarm	20/40%...100/160%	yes	yes	advanced		KT
ETU860 LSIG	MCCB	adj	adj	adj	adj	20/40%...100/160%	yes	yes	advanced		KQ
ETU310M	MCP			adj							MS
MCS110	MCS			fix							BB

Number of Poles	
1 pole	1
2 pole	2
3 pole	3
4 pole	4
1-in-2 pole	5
2-in-3 pole	6

Connection Technology	
Blank, punched copper bar without any lugs	1
Nut keeper kit, line and load	2
Nut keeper kit, load end only	3
Aluminum wire connector, load end only	4
Wire connector, line end only	5
Wire connector, line and load	6

Regional Specifics (as applicable)	
Standard	0
NAVAL/50C	1
100% Rated (3VA6)	2

Auxiliary Releases	
Without	A

Auxiliary/Alarm Switches	
Without	A0



# Molded Case Circuit Breakers

## 3VA51 125A Thermal-magnetic Trip Circuit Breakers

*Selection*

### 3VA51 125A Frame, 1-Pole Thermal-Magnetic Trip Unit

Cont. Ampere Rating	S-Interrupting Class (SEAS)	M-Interrupting Class (MEAS)	H-Interrupting Class (HEAS)
	Catalog Number	Catalog Number	Catalog Number
TM210 FTFM			
15	3VA5195-4ED11-0AA0	3VA5195-5ED11-0AA0	3VA5195-6ED11-0AA0
20	3VA5120-4ED11-0AA0	3VA5120-5ED11-0AA0	3VA5120-6ED11-0AA0
25	3VA5125-4ED11-0AA0	3VA5125-5ED11-0AA0	3VA5125-6ED11-0AA0
30	3VA5130-4ED11-0AA0	3VA5130-5ED11-0AA0	3VA5130-6ED11-0AA0
35	3VA5135-4ED11-0AA0	3VA5135-5ED11-0AA0	3VA5135-6ED11-0AA0
40	3VA5140-4ED11-0AA0	3VA5140-5ED11-0AA0	3VA5140-6ED11-0AA0
45	3VA5145-4ED11-0AA0	3VA5145-5ED11-0AA0	3VA5145-6ED11-0AA0
50	3VA5150-4ED11-0AA0	3VA5150-5ED11-0AA0	3VA5150-6ED11-0AA0
60	3VA5160-4ED11-0AA0	3VA5160-5ED11-0AA0	3VA5160-6ED11-0AA0
70	3VA5170-4ED11-0AA0	3VA5170-5ED11-0AA0	3VA5170-6ED11-0AA0
80	3VA5180-4ED11-0AA0	3VA5180-5ED11-0AA0	3VA5180-6ED11-0AA0
90	3VA5190-4ED11-0AA0	3VA5190-5ED11-0AA0	3VA5190-6ED11-0AA0
100	3VA5110-4ED11-0AA0	3VA5110-5ED11-0AA0	3VA5110-6ED11-0AA0
110	3VA5111-4ED11-0AA0	3VA5111-5ED11-0AA0	3VA5111-6ED11-0AA0
125	3VA5112-4ED11-0AA0	3VA5112-5ED11-0AA0	3VA5112-6ED11-0AA0



3VA51 125A 1-Pole

### 3VA51 125A Frame, 2-Pole Thermal-Magnetic Trip Unit

Cont. Ampere Rating	S-Interrupting Class (SEAS)	M-Interrupting Class (MEAS)	H-Interrupting Class (HEAS)
	Catalog Number	Catalog Number	Catalog Number
TM210 FTFM <sup>Ⓞ</sup>			
15	3VA5195-4ED21-0AA0	3VA5195-5ED21-0AA0	3VA5195-6ED21-0AA0
20	3VA5120-4ED21-0AA0	3VA5120-5ED21-0AA0	3VA5120-6ED21-0AA0
25	3VA5125-4ED21-0AA0	3VA5125-5ED21-0AA0	3VA5125-6ED21-0AA0
30	3VA5130-4ED21-0AA0	3VA5130-5ED21-0AA0	3VA5130-6ED21-0AA0
35	3VA5135-4ED21-0AA0	3VA5135-5ED21-0AA0	3VA5135-6ED21-0AA0
40	3VA5140-4ED21-0AA0	3VA5140-5ED21-0AA0	3VA5140-6ED21-0AA0
45	3VA5145-4ED21-0AA0	3VA5145-5ED21-0AA0	3VA5145-6ED21-0AA0
50	3VA5150-4ED21-0AA0	3VA5150-5ED21-0AA0	3VA5150-6ED21-0AA0
60	3VA5160-4ED21-0AA0	3VA5160-5ED21-0AA0	3VA5160-6ED21-0AA0
70	3VA5170-4ED21-0AA0	3VA5170-5ED21-0AA0	3VA5170-6ED21-0AA0
80	3VA5180-4ED21-0AA0	3VA5180-5ED21-0AA0	3VA5180-6ED21-0AA0
90	3VA5190-4ED21-0AA0	3VA5190-5ED21-0AA0	3VA5190-6ED21-0AA0
100	3VA5110-4ED21-0AA0	3VA5110-5ED21-0AA0	3VA5110-6ED21-0AA0
110	3VA5111-4ED21-0AA0	3VA5111-5ED21-0AA0	3VA5111-6ED21-0AA0
125	3VA5112-4ED21-0AA0	3VA5112-5ED21-0AA0	3VA5112-6ED21-0AA0



3VA51 125A 2-Pole

### Ordering Information

The catalog numbers listed here are for complete, non-interchangeable trip circuit breakers without lugs.

Order required lugs or connection technology separately for field installation.

All 3VA51 thermal-magnetic trip circuit breakers are CSA approved and UL listed for reverse feed applications.

For NAVAL-rated thermal-magnetic trip circuit breakers, change the 13th digit of the catalog number to the number "1". (For example, a 18kA @600/347VAC, 40A, 3-pole, NAVAL rated 3VA51 would be catalog number 3VA5140-5ED31-1AA0)

### Dimensions

Breaker	Poles	W in. (mm)	H in. (mm)	D in. (mm)	lbs.	kg
3VA51	1	1 (25.4)	5.5 (140)	3 (76.5)	0.84	0.38
3VA51	2	2 (50.8)	5.5 (140)	3 (76.5)	1.37	0.62
3VA51	3	3 (76.2)	5.5 (140)	3 (76.5)	1.73	0.78
3VA51	4	4 (101.6)	5.5 (140)	3 (76.5)	2.09	0.95

### Shipping Weight

<sup>Ⓞ</sup> Available with NAVAL/50C ratings.

# Molded Case Circuit Breakers

## 3VA51 125A Thermal-magnetic Trip Circuit Breakers

Selection

### 3VA51 125A Frame, 3-Pole Thermal-Magnetic Trip Unit

Cont. Ampere Rating	S-Interrupting Class (SEAS)	M-Interrupting Class (MEAS)	H-Interrupting Class (HEAS)
	Catalog Number	Catalog Number	Catalog Number

#### TM210 FTFM<sup>Ⓞ</sup>

15	3VA5195-4ED31-0AA0	3VA5195-5ED31-0AA0	3VA5195-6ED31-0AA0
20	3VA5120-4ED31-0AA0	3VA5120-5ED31-0AA0	3VA5120-6ED31-0AA0
25	3VA5125-4ED31-0AA0	3VA5125-5ED31-0AA0	3VA5125-6ED31-0AA0
30	3VA5130-4ED31-0AA0	3VA5130-5ED31-0AA0	3VA5130-6ED31-0AA0
35	3VA5135-4ED31-0AA0	3VA5135-5ED31-0AA0	3VA5135-6ED31-0AA0
40	3VA5140-4ED31-0AA0	3VA5140-5ED31-0AA0	3VA5140-6ED31-0AA0
45	3VA5145-4ED31-0AA0	3VA5145-5ED31-0AA0	3VA5145-6ED31-0AA0
50	3VA5150-4ED31-0AA0	3VA5150-5ED31-0AA0	3VA5150-6ED31-0AA0
60	3VA5160-4ED31-0AA0	3VA5160-5ED31-0AA0	3VA5160-6ED31-0AA0
70	3VA5170-4ED31-0AA0	3VA5170-5ED31-0AA0	3VA5170-6ED31-0AA0
80	3VA5180-4ED31-0AA0	3VA5180-5ED31-0AA0	3VA5180-6ED31-0AA0
90	3VA5190-4ED31-0AA0	3VA5190-5ED31-0AA0	3VA5190-6ED31-0AA0
100	3VA5110-4ED31-0AA0	3VA5110-5ED31-0AA0	3VA5110-6ED31-0AA0
110	3VA5111-4ED31-0AA0	3VA5111-5ED31-0AA0	3VA5111-6ED31-0AA0
125	3VA5112-4ED31-0AA0	3VA5112-5ED31-0AA0	3VA5112-6ED31-0AA0

#### TM230 FTAM<sup>Ⓞ</sup>

15	3VA5195-4EC31-0AA0	3VA5195-6EC31-0AA0	3VA5195-6EC31-0AA0
20	3VA5120-4EC31-0AA0	3VA5120-5EC31-0AA0	3VA5120-6EC31-0AA0
25	3VA5125-4EC31-0AA0	3VA5125-5EC31-0AA0	3VA5125-6EC31-0AA0
30	3VA5130-4EC31-0AA0	3VA5130-5EC31-0AA0	3VA5130-6EC31-0AA0
35	3VA5135-4EC31-0AA0	3VA5135-5EC31-0AA0	3VA5135-6EC31-0AA0
40	3VA5140-4EC31-0AA0	3VA5140-5EC31-0AA0	3VA5140-6EC31-0AA0
45	3VA5145-4EC31-0AA0	3VA5145-5EC31-0AA0	3VA5145-6EC31-0AA0
50	3VA5150-4EC31-0AA0	3VA5150-5EC31-0AA0	3VA5150-6EC31-0AA0
60	3VA5160-4EC31-0AA0	3VA5160-5EC31-0AA0	3VA5160-6EC31-0AA0
70	3VA5170-4EC31-0AA0	3VA5170-5EC31-0AA0	3VA5170-6EC31-0AA0
80	3VA5180-4EC31-0AA0	3VA5180-5EC31-0AA0	3VA5180-6EC31-0AA0
90	3VA5190-4EC31-0AA0	3VA5190-5EC31-0AA0	3VA5190-6EC31-0AA0
100	3VA5110-4EC31-0AA0	3VA5110-5EC31-0AA0	3VA5110-6EC31-0AA0
110	3VA5111-4EC31-0AA0	3VA5111-5EC31-0AA0	3VA5111-6EC31-0AA0
125	3VA5112-4EC31-0AA0	3VA5112-5EC31-0AA0	3VA5112-6EC31-0AA0

#### TM240 ATAM

15	3VA5195-4EF31-0AA0	3VA5195-5EF31-0AA0	3VA5195-6EF31-0AA0
20	3VA5120-4EF31-0AA0	3VA5120-5EF31-0AA0	3VA5120-6EF31-0AA0
30	3VA5130-4EF31-0AA0	3VA5130-5EF31-0AA0	3VA5130-6EF31-0AA0
40	3VA5140-4EF31-0AA0	3VA5140-5EF31-0AA0	3VA5140-6EF31-0AA0
50	3VA5150-4EF31-0AA0	3VA5150-5EF31-0AA0	3VA5150-6EF31-0AA0
60	3VA5160-4EF31-0AA0	3VA5160-5EF31-0AA0	3VA5160-6EF31-0AA0
70	3VA5170-4EF31-0AA0	3VA5170-5EF31-0AA0	3VA5170-6EF31-0AA0
80	3VA5180-4EF31-0AA0	3VA5180-5EF31-0AA0	3VA5180-6EF31-0AA0
100	3VA5110-4EF31-0AA0	3VA5110-5EF31-0AA0	3VA5110-6EF31-0AA0



3VA51 125A 3-Pole

### Ordering Information

The catalog numbers listed here are for complete, non-interchangeable trip circuit breakers without lugs.

Order required lugs or connection technology separately for field installation.

All 3VA51 thermal-magnetic trip circuit breakers are CSA approved and UL listed for reverse feed applications.

For NAVAL-rated thermal-magnetic trip circuit breakers, change the 13th digit of the catalog number to the number "1". (For example, a 18kA @600/347VAC, 40A, 3-pole, NAVAL rated 3VA51 would be catalogue number 3VA5140-5ED31-1AA0)

### Dimensions

Breaker	Poles	W in. (mm)	H in. (mm)	D in. (mm)	lbs.	kg
3VA51	1	1 (25.4)	5.5 (140)	3 (76.5)	0.84	0.38
3VA51	2	2 (50.8)	5.5 (140)	3 (76.5)	1.37	0.62
3VA51	3	3 (76.2)	5.5 (140)	3 (76.5)	1.73	0.78
3VA51	4	4 (101.6)	5.5 (140)	3 (76.5)	2.09	0.95

### Shipping Weight

Ⓞ Available with NAVAL/50C ratings.

# Molded Case Circuit Breakers

## 3VA51 125A Thermal-magnetic Trip Circuit Breakers

Selection

### 3VA51 125A Frame, 4-Pole Thermal-Magnetic Trip Unit

Cont. Ampere Rating	S-Interrupting Class (SEAS)	M-Interrupting Class (MEAS)	H-Interrupting Class (HEAS)
	Catalog Number	Catalog Number	Catalog Number
TM210 FTFM Unprotected Neutral			
15	3VA5195-4ED41-0AA0	3VA5195-5ED41-0AA0	3VA5195-6ED41-0AA0
20	3VA5120-4ED41-0AA0	3VA5120-5ED41-0AA0	3VA5120-6ED41-0AA0
25	3VA5125-4ED41-0AA0	3VA5125-5ED41-0AA0	3VA5125-6ED41-0AA0
30	3VA5130-4ED41-0AA0	3VA5130-5ED41-0AA0	3VA5130-6ED41-0AA0
35	3VA5135-4ED41-0AA0	3VA5135-5ED41-0AA0	3VA5135-6ED41-0AA0
40	3VA5140-4ED41-0AA0	3VA5140-5ED41-0AA0	3VA5140-6ED41-0AA0
45	3VA5145-4ED41-0AA0	3VA5145-5ED41-0AA0	3VA5145-6ED41-0AA0
50	3VA5150-4ED41-0AA0	3VA5150-5ED41-0AA0	3VA5150-6ED41-0AA0
60	3VA5160-4ED41-0AA0	3VA5160-5ED41-0AA0	3VA5160-6ED41-0AA0
70	3VA5170-4ED41-0AA0	3VA5170-5ED41-0AA0	3VA5170-6ED41-0AA0
80	3VA5180-4ED41-0AA0	3VA5180-5ED41-0AA0	3VA5180-6ED41-0AA0
90	3VA5190-4ED41-0AA0	3VA5190-5ED41-0AA0	3VA5190-6ED41-0AA0
100	3VA5110-4ED41-0AA0	3VA5110-5ED41-0AA0	3VA5110-6ED41-0AA0
110	3VA5111-4ED41-0AA0	3VA5111-5ED41-0AA0	3VA5111-6ED41-0AA0
125	3VA5112-4ED41-0AA0	3VA5112-5ED41-0AA0	3VA5112-6ED41-0AA0
TM210 FTFM 100% Neutral			
90	3VA5190-4GD41-0AA0	3VA5190-5GD41-0AA0	3VA5190-6GD41-0AA0
100	3VA5110-4GD41-0AA0	3VA5110-5GD41-0AA0	3VA5110-6GD41-0AA0
110	3VA5111-4GD41-0AA0	3VA5111-5GD41-0AA0	3VA5111-6GD41-0AA0
125	3VA5112-4GD41-0AA0	3VA5112-5GD41-0AA0	3VA5112-6GD41-0AA0
TM230 FTAM Unprotected Neutral			
15	3VA5195-4EC41-0AA0	3VA5195-5EC41-0AA0	3VA5195-6EC41-0AA0
20	3VA5120-4EC41-0AA0	3VA5120-5EC41-0AA0	3VA5120-6EC41-0AA0
25	3VA5125-4EC41-0AA0	3VA5125-5EC41-0AA0	3VA5125-6EC41-0AA0
30	3VA5130-4EC41-0AA0	3VA5130-5EC41-0AA0	3VA5130-6EC41-0AA0
35	3VA5135-4EC41-0AA0	3VA5135-5EC41-0AA0	3VA5135-6EC41-0AA0
40	3VA5140-4EC41-0AA0	3VA5140-5EC41-0AA0	3VA5140-6EC41-0AA0
45	3VA5145-4EC41-0AA0	3VA5145-5EC41-0AA0	3VA5145-6EC41-0AA0
50	3VA5150-4EC41-0AA0	3VA5150-5EC41-0AA0	3VA5150-6EC41-0AA0
60	3VA5160-4EC41-0AA0	3VA5160-5EC41-0AA0	3VA5160-6EC41-0AA0
70	3VA5170-4EC41-0AA0	3VA5170-5EC41-0AA0	3VA5170-6EC41-0AA0
80	3VA5180-4EC41-0AA0	3VA5180-5EC41-0AA0	3VA5180-6EC41-0AA0
90	3VA5190-4EC41-0AA0	3VA5190-5EC41-0AA0	3VA5190-6EC41-0AA0
100	3VA5110-4EC41-0AA0	3VA5110-5EC41-0AA0	3VA5110-6EC41-0AA0
110	3VA5111-4EC41-0AA0	3VA5111-5EC41-0AA0	3VA5111-6EC41-0AA0
125	3VA5112-4EC41-0AA0	3VA5112-5EC41-0AA0	3VA5112-6EC41-0AA0
TM230 FTFM 100% Neutral			
90	3VA5190-4GC41-0AA0	3VA5190-5GC41-0AA0	3VA5190-6GC41-0AA0
100	3VA5110-4GC41-0AA0	3VA5110-5GC41-0AA0	3VA5110-6GC41-0AA0
110	3VA5111-4GC41-0AA0	3VA5111-5GC41-0AA0	3VA5111-6GC41-0AA0
125	3VA5112-4GC41-0AA0	3VA5112-5GC41-0AA0	3VA5112-6GC41-0AA0
TM240 ATAM Unprotected Neutral			
15	3VA5195-4EF41-0AA0	3VA5195-5EF41-0AA0	3VA5195-6EF41-0AA0
20	3VA5120-4EF41-0AA0	3VA5120-5EF41-0AA0	3VA5120-6EF41-0AA0
30	3VA5130-4EF41-0AA0	3VA5130-5EF41-0AA0	3VA5130-6EF41-0AA0
40	3VA5140-4EF41-0AA0	3VA5140-5EF41-0AA0	3VA5140-6EF41-0AA0
50	3VA5150-4EF41-0AA0	3VA5150-5EF41-0AA0	3VA5150-6EF41-0AA0
60	3VA5160-4EF41-0AA0	3VA5160-5EF41-0AA0	3VA5160-6EF41-0AA0
70	3VA5170-4EF41-0AA0	3VA5170-5EF41-0AA0	3VA5170-6EF41-0AA0
80	3VA5180-4EF41-0AA0	3VA5180-5EF41-0AA0	3VA5180-6EF41-0AA0
100	3VA5110-4EF41-0AA0	3VA5110-5EF41-0AA0	3VA5110-6EF41-0AA0
TM240 ATAM 100% Neutral			
100	3VA5110-4GF41-0AA0	3VA5110-5GF41-0AA0	3VA5110-6GF41-0AA0



3VA51 125A 4-Pole

### Ordering Information

The catalog numbers listed here are for complete, non-interchangeable trip circuit breakers without lugs.

Order required lugs or connection technology separately for field installation.

All 3VA51 thermal-magnetic trip circuit breakers are CSA approved and UL listed for reverse feed applications.

For NAVAL-rated thermal-magnetic trip circuit breakers, change the 13th digit of the catalog number to the number "1". (For example, a 18kA @600/347VAC, 40A, 3-pole, NAVAL rated 3VA51 would be catalogue number 3VA5140-5ED31-1AA0)

# Molded Case Circuit Breakers

## 3VA51 125A Thermal-magnetic Trip Circuit Breakers

Technical information

### Interrupting Ratings for 3VA51

Interrupting Class	Breaker Type	RMS Symmetrical Amperes (kA)											
		Volts AC (50/60 Hz)							Volts DC				
		120	240	277	347	480Y/277V	480	600Y/347V	125	250	500 <sup>①</sup>	600 <sup>①</sup>	
S	SEAS	1	65		25	14				14			
		2, 3, 4		65				25	25	14	14	50	50
M	MEAS	1	85		35	18				25			
		2, 3, 4		85				35	35	18	25	85	85
H	HEAS	1	150		50	18				30			
		2, 3, 4		150				65	65	25	30	100	100

① Applies to 3VA51 3-Pole

### Trip Settings for 3VA51

TM210 - FTFM		
I <sub>n</sub> (A)	I <sub>n</sub> (A)	I <sub>n</sub> (A)
15	15	300
20	20	300
25	25	300
30	30	300
35	35	350
40	40	400
45	45	450
50	50	500
60	60	600
70	70	700
80	80	800
90	90	900
100	100	1000
110	110	1100
125	125	1250

TM230 - FTAM								
I <sub>n</sub> (A)	I <sub>n</sub> (A)	I <sub>n</sub> (A)						
15	15	150	180	210	240	270	300	300
20	20	150	180	210	240	270	300	300
25	25	150	180	210	240	270	300	300
30	30	150	180	210	240	270	300	300
35	35	175	210	245	280	315	350	350
40	40	200	240	280	320	360	400	400
45	45	225	270	315	360	405	450	450
50	50	250	300	350	400	450	500	500
60	60	300	360	420	480	540	600	600
70	70	350	420	490	560	630	700	700
80	80	400	480	560	640	720	800	800
90	90	450	540	630	720	810	900	900
100	100	500	600	700	800	900	1000	1000
110	110	550	660	770	880	990	1100	1100
125	125	625	750	875	1000	1125	1250	1250

TM240 - ATAM								
I <sub>n</sub> (A)	I <sub>n</sub> (A)	I <sub>n</sub> (A)						
15	12	150	180	210	240	270	300	300
20	16	150	180	210	240	270	300	300
30	24	150	180	210	240	270	300	300
40	32	200	240	280	320	360	400	400
50	40	250	300	350	400	450	500	500
60	48	300	360	420	480	540	600	600
70	56	350	420	490	560	630	700	700
80	64	400	480	560	640	720	800	800
100	80	500	600	700	800	900	1000	1000

### Connectors for 75C Wire for 3VA51

Type	Min. cable size	Max. cable size	Catalog No. (kit of 3 lugs)	Catalog No. (kit of 4 lugs)
Steel wrap around (Cu cable only), 1 cable lugs	AWG 14	3/0	3VA9133-0JA11	3VA9134-0JA11
Aluminum body lug small (Cu/Al cable), 1 cable lug	AWG 14	AWG 10	3VA9133-0JB10	3VA9134-0JB10
Aluminum body lug (Cu/Al cable), 1 cable lugs	AWG 14	3/0	3VA9133-0JB11	3VA9134-0JB11
Aluminum body lug small with control wire tap (Cu/Al cable), 1 cable lug	AWG 14	AWG 10	3VA9133-0JG10	3VA9134-0JG10
Aluminum body lug with control wire tap (Cu/Al cable), 1 cable lugs	AWG 14	3/0	3VA9133-0JG11	3VA9134-0JG11
Aluminum body lug large (Cu/Al cable), 1 cable lugs with 1 extended terminal cover	AWG 4	300 kcmil	3VA9133-0JJ12	
Aluminum body lug large with control wire tap (Cu/Al cable), 1 cable lug and 1 extended terminal cover	AWG 4	300 kcmil	3VA9133-0JC12	
Distribution lug, 6 cables (Cu/Al cable), 1 cable lugs with 1 extended terminal cover	AWG 14	AWG 2	3VA9133-0JF60	3VA9134-0JF60
Copper body lug small (Cu cable only), 1 cable lugs	AWG 14	AWG 10	3VA9133-0JD10	3VA9134-0JD10
Copper body lug (Cu cable only), 1 cable lugs	AWG 14	2/0	3VA9133-0JD11	3VA9134-0JD11
Copper body lug small with control wire tap (Cu cable only), 1 cable lugs	AWG 14	AWG 10	3VA9133-0JK10	3VA9134-0JK10
Copper body lug with control wire tap (Cu cable only), 1 cable lugs	AWG 14	2/0	3VA9133-0JK11	3VA9134-0JK11

Internal accessories configuration	3VA4/3VA5 125 A 1 in 2-pole /2-pole				3VA5 125 A 3 & 4-pole						
	Slot No.:	23	22	21	125 A	23	22	21	11	12	13
<b>Auxiliary switch</b>	Type										
Auxiliary switch	AUX_HQ	x	x	x		x	x	x		x	x
	AUX_HQ_el	x	x	x		x	x	x		x	x
	AUX_HP			x							x
Leading changeover switch	LCS_HQ										
	LCS_HQ_el										
	LCS_HP										x
<b>Auxiliary switch</b>	Type										
Trip alarm switch	TAS_HQ	x	x			x	x			x	x
	TAS_HQ_el	x	x			x	x			x	x
	TAS_HP			x							x
Short circuit alarm switch	SAS_HQ										
	SAS_HQ_el										
<b>Auxiliary switch</b>	Type										
Shunt trip flexible	STF	x				x					
	STL										
Shunt trip left	STL_el	x				x					
	RCR										
Residual current release	RCR										
Undervoltage release	UVR	x				x					
Universal release	UVI	x				x					
<b>Other</b>											
Cylinder lock (type Ronis)											x

# Molded Case Circuit Breakers

## 3VA61 150A Electronic Trip Circuit Breakers

Selection



3VA61 150A 3-Pole

### Ordering Information

The catalog numbers listed below are for complete, non-interchangeable trip circuit breakers without lugs.

Order required lugs or connection technology separately for field installation.

All 3VA61 electronic trip circuit breakers are CSA approved and UL listed for reverse feed applications.

All 3VA61 electronic trip circuit breakers are available with 100% ratings.

For 100% rated electronic trip circuit breakers, change the 13th digit of the catalog number to the number "2". (For example, a 18kA @600VAC, 40A, 3-pole, 100% rated 3VA61 would be catalog number 3VA6140-5HL31-2AA0)

Requires the use of copper lugs — see lug table below.

All 3VA6 circuit breakers are certified to CSA C22.2 No. 5, and UL 489 Supplement SB, are marked "Naval", and are suitable for use at 50C.

### 3VA61 150A Frame 3-Pole Electronic Trip Unit

Continuous Ampere	M-Interrupting Class (MDAE) Catalog Number	H-Interrupting Class (HDAE) Catalog Number	C-Interrupting Class (CDAE) Catalog Number	L-Interrupting Class (LDAE) Catalog Number	E-Interrupting Class (EAE) Catalog Number
ETU320 LI with dials					
40	3VA6140-5HL31-0AA0	3VA6140-6HL31-0AA0	3VA6140-7HL31-0AA0	3VA6140-8HL31-0AA0	3VA6160-0HL31-0AA0 <sup>①</sup>
100	3VA6110-5HL31-0AA0	3VA6110-6HL31-0AA0	3VA6110-7HL31-0AA0	3VA6110-8HL31-0AA0	3VA6110-0HL31-0AA0
150	3VA6115-5HL31-0AA0	3VA6115-6HL31-0AA0	3VA6115-7HL31-0AA0	3VA6115-8HL31-0AA0	3VA6115-0HL31-0AA0
ETU330 LIG with dials					
40	3VA6140-5HM31-0AA0	3VA6140-6HM31-0AA0	3VA6140-7HM31-0AA0	3VA6140-8HM31-0AA0	3VA6160-0HM31-0AA0 <sup>①</sup>
100	3VA6110-5HM31-0AA0	3VA6110-6HM31-0AA0	3VA6110-7HM31-0AA0	3VA6110-8HM31-0AA0	3VA6110-0HM31-0AA0
150	3VA6115-5HM31-0AA0	3VA6115-6HM31-0AA0	3VA6115-7HM31-0AA0	3VA6115-8HM31-0AA0	3VA6115-0HM31-0AA0
ETU350 LSI with dials					
40	3VA6140-5HN31-0AA0	3VA6140-6HN31-0AA0	3VA6140-7HN31-0AA0	3VA6140-8HN31-0AA0	3VA6160-0HN31-0AA0 <sup>①</sup>
100	3VA6110-5HN31-0AA0	3VA6110-6HN31-0AA0	3VA6110-7HN31-0AA0	3VA6110-8HN31-0AA0	3VA6110-0HN31-0AA0
150	3VA6115-5HN31-0AA0	3VA6115-6HN31-0AA0	3VA6115-7HN31-0AA0	3VA6115-8HN31-0AA0	3VA6115-0HN31-0AA0
ETU550 LSI with LCD					
40	3VA6140-5JP31-0AA0	3VA6140-6JP31-0AA0	3VA6140-7JP31-0AA0	3VA6140-8JP31-0AA0	—
100	3VA6110-5JP31-0AA0	3VA6110-6JP31-0AA0	3VA6110-7JP31-0AA0	3VA6110-8JP31-0AA0	—
150	3VA6115-5JP31-0AA0	3VA6115-6JP31-0AA0	3VA6115-7JP31-0AA0	3VA6115-8JP31-0AA0	—
ETU556 LSI(G Alarm) with LCD					
40	3VA6140-5JT31-0AA0	3VA6140-6JT31-0AA0	3VA6140-7JT31-0AA0	3VA6140-8JT31-0AA0	—
100	3VA6110-5JT31-0AA0	3VA6110-6JT31-0AA0	3VA6110-7JT31-0AA0	3VA6110-8JT31-0AA0	—
150	3VA6115-5JT31-0AA0	3VA6115-6JT31-0AA0	3VA6115-7JT31-0AA0	3VA6115-8JT31-0AA0	—
ETU560 LSI(G Alarm) with LCD					
40	3VA6140-5JQ31-0AA0	3VA6140-6JQ31-0AA0	3VA6140-7JQ31-0AA0	3VA6140-8JQ31-0AA0	—
100	3VA6110-5JQ31-0AA0	3VA6110-6JQ31-0AA0	3VA6110-7JQ31-0AA0	3VA6110-8JQ31-0AA0	—
150	3VA6115-5JQ31-0AA0	3VA6115-6JQ31-0AA0	3VA6115-7JQ31-0AA0	3VA6115-8JQ31-0AA0	—
ETU820 LI LCD with Metering					
40	3VA6140-5KL31-0AA0	3VA6140-6KL31-0AA0	3VA6140-7KL31-0AA0	3VA6140-8KL31-0AA0	—
100	3VA6110-5KL31-0AA0	3VA6110-6KL31-0AA0	3VA6110-7KL31-0AA0	3VA6110-8KL31-0AA0	—
150	3VA6115-5KL31-0AA0	3VA6115-6KL31-0AA0	3VA6115-7KL31-0AA0	3VA6115-8KL31-0AA0	—
ETU830 LIG with LCD and Metering					
40	3VA6140-5KM31-0AA0	3VA6140-6KM31-0AA0	3VA6140-7KM31-0AA0	3VA6140-8KM31-0AA0	—
100	3VA6110-5KM31-0AA0	3VA6110-6KM31-0AA0	3VA6110-7KM31-0AA0	3VA6110-8KM31-0AA0	—
150	3VA6115-5KM31-0AA0	3VA6115-6KM31-0AA0	3VA6115-7KM31-0AA0	3VA6115-8KM31-0AA0	—
ETU850 LSI with LCD and Metering					
40	3VA6140-5KP31-0AA0	3VA6140-6KP31-0AA0	3VA6140-7KP31-0AA0	3VA6140-8KP31-0AA0	—
100	3VA6110-5KP31-0AA0	3VA6110-6KP31-0AA0	3VA6110-7KP31-0AA0	3VA6110-8KP31-0AA0	—
150	3VA6115-5KP31-0AA0	3VA6115-6KP31-0AA0	3VA6115-7KP31-0AA0	3VA6115-8KP31-0AA0	—
ETU856 LSI(G Alarm) with LCD and Metering					
40	3VA6140-5KT31-0AA0	3VA6140-6KT31-0AA0	3VA6140-7KT31-0AA0	3VA6140-8KT31-0AA0	3VA6160-0KT31-0AA0 <sup>①</sup>
100	3VA6110-5KT31-0AA0	3VA6110-6KT31-0AA0	3VA6110-7KT31-0AA0	3VA6110-8KT31-0AA0	3VA6110-0KT31-0AA0
150	3VA6115-5KT31-0AA0	3VA6115-6KT31-0AA0	3VA6115-7KT31-0AA0	3VA6115-8KT31-0AA0	3VA6115-0KT31-0AA0
ETU860 LSI(G Alarm) with LCD and Metering					
40	3VA6140-5KQ31-0AA0	3VA6140-6KQ31-0AA0	3VA6140-7KQ31-0AA0	3VA6140-8KQ31-0AA0	3VA6160-0KQ31-0AA0 <sup>①</sup>
100	3VA6110-5KQ31-0AA0	3VA6110-6KQ31-0AA0	3VA6110-7KQ31-0AA0	3VA6110-8KQ31-0AA0	3VA6110-0KQ31-0AA0
150	3VA6115-5KQ31-0AA0	3VA6115-6KQ31-0AA0	3VA6115-7KQ31-0AA0	3VA6115-8KQ31-0AA0	3VA6115-0KQ31-0AA0

① The lowest amperage trip unit available for the EDAE class breakers is 60 amps.



# Molded Case Circuit Breakers

## 3VA61 150A Electronic Trip Circuit Breakers

Selection



3VA61 150A 4-Pole

### Ordering Information

The catalog numbers listed below are for complete, non-interchangeable trip circuit breakers without lugs.

Order required lugs or connection technology separately for field installation.

All 3VA61 electronic trip circuit breakers are CSA approved and UL listed for reverse feed applications.

All 3VA61 electronic trip circuit breakers are available with 100% ratings.

For 100% rated electronic trip circuit breakers, change the 13th digit of the catalog number to the number "2". (For example, a 18kA @600VAC, 40A, 3-pole, 100% rated 3VA61 would be catalog number 3VA6140-5HL31-2AA0) Requires the use of copper lugs — see lug table below.

All 3VA6 circuit breakers are certified to CSA C22.2 No 5, and UL 489 listed Supplement SB, are marked "Naval", and are suitable for use at 50C.

### 3VA61 150A Frame 4-Pole Electronic Trip Unit

Continuous Ampere	M-Interrupting Class (MDAE) Catalog Number	H-Interrupting Class (HDAE) Catalog Number	C-Interrupting Class (CDAE) Catalog Number	L-Interrupting Class (LDAE) Catalog Number	E-Interrupting Class (EAE) Catalog Number
ETU320 LI with dials					
40	3VA6140-5HL41-0AA0	3VA6140-6HL41-0AA0	3VA6140-7HL41-0AA0	3VA6140-8HL41-0AA0	3VA6160-0HL41-0AA0 <sup>①</sup>
100	3VA6110-5HL41-0AA0	3VA6110-6HL41-0AA0	3VA6110-7HL41-0AA0	3VA6110-8HL41-0AA0	3VA6110-0HL41-0AA0
150	3VA6115-5HL41-0AA0	3VA6115-6HL41-0AA0	3VA6115-7HL41-0AA0	3VA6115-8HL41-0AA0	3VA6115-0HL41-0AA0
ETU330 LIG with dials					
40	3VA6140-5HM41-0AA0	3VA6140-6HM41-0AA0	3VA6140-7HM41-0AA0	3VA6140-8HM41-0AA0	3VA6160-0HM41-0AA0 <sup>①</sup>
100	3VA6110-5HM41-0AA0	3VA6110-6HM41-0AA0	3VA6110-7HM41-0AA0	3VA6110-8HM41-0AA0	3VA6110-0HM41-0AA0
150	3VA6115-5HM41-0AA0	3VA6115-6HM41-0AA0	3VA6115-7HM41-0AA0	3VA6115-8HM41-0AA0	3VA6115-0HM41-0AA0
ETU350 LSI with dials					
40	3VA6140-5HN41-0AA0	3VA6140-6HN41-0AA0	3VA6140-7HN41-0AA0	3VA6140-8HN41-0AA0	3VA6160-0HN41-0AA0 <sup>①</sup>
100	3VA6110-5HN41-0AA0	3VA6110-6HN41-0AA0	3VA6110-7HN41-0AA0	3VA6110-8HN41-0AA0	3VA6110-0HN41-0AA0
150	3VA6115-5HN41-0AA0	3VA6115-6HN41-0AA0	3VA6115-7HN41-0AA0	3VA6115-8HN41-0AA0	3VA6115-0HN41-0AA0
ETU550 LSI with LCD					
40	3VA6140-5JP41-0AA0	3VA6140-6JP41-0AA0	3VA6140-7JP41-0AA0	3VA6140-8JP41-0AA0	—
100	3VA6110-5JP41-0AA0	3VA6110-6JP41-0AA0	3VA6110-7JP41-0AA0	3VA6110-8JP41-0AA0	—
150	3VA6115-5JP41-0AA0	3VA6115-6JP41-0AA0	3VA6115-7JP41-0AA0	3VA6115-8JP41-0AA0	—
ETU556 LSI(G Alarm) with LCD					
40	3VA6140-5JT41-0AA0	3VA6140-6JT41-0AA0	3VA6140-7JT41-0AA0	3VA6140-8JT41-0AA0	—
100	3VA6110-5JT41-0AA0	3VA6110-6JT41-0AA0	3VA6110-7JT41-0AA0	3VA6110-8JT41-0AA0	—
150	3VA6115-5JT41-0AA0	3VA6115-6JT41-0AA0	3VA6115-7JT41-0AA0	3VA6115-8JT41-0AA0	—
ETU560 LSI(G) with LCD					
40	3VA6140-5JQ41-0AA0	3VA6140-6JQ41-0AA0	3VA6140-7JQ41-0AA0	3VA6140-8JQ41-0AA0	—
100	3VA6110-5JQ41-0AA0	3VA6110-6JQ41-0AA0	3VA6110-7JQ41-0AA0	3VA6110-8JQ41-0AA0	—
150	3VA6115-5JQ41-0AA0	3VA6115-6JQ41-0AA0	3VA6115-7JQ41-0AA0	3VA6115-8JQ41-0AA0	—
ETU820 LI LCD with Metering					
40	3VA6140-5KL41-0AA0	3VA6140-6KL41-0AA0	3VA6140-7KL41-0AA0	3VA6140-8KL41-0AA0	—
100	3VA6110-5KL41-0AA0	3VA6110-6KL41-0AA0	3VA6110-7KL41-0AA0	3VA6110-8KL41-0AA0	—
150	3VA6115-5KL41-0AA0	3VA6115-6KL41-0AA0	3VA6115-7KL41-0AA0	3VA6115-8KL41-0AA0	—
ETU830 LIG with LCD and Metering					
40	3VA6140-5KM41-0AA0	3VA6140-6KM41-0AA0	3VA6140-7KM41-0AA0	3VA6140-8KM41-0AA0	—
100	3VA6110-5KM41-0AA0	3VA6110-6KM41-0AA0	3VA6110-7KM41-0AA0	3VA6110-8KM41-0AA0	—
150	3VA6115-5KM41-0AA0	3VA6115-6KM41-0AA0	3VA6115-7KM41-0AA0	3VA6115-8KM41-0AA0	—
ETU850 LSI with LCD and Metering					
40	3VA6140-5KP41-0AA0	3VA6140-6KP41-0AA0	3VA6140-7KP41-0AA0	3VA6140-8KP41-0AA0	—
100	3VA6110-5KP41-0AA0	3VA6110-6KP41-0AA0	3VA6110-7KP41-0AA0	3VA6110-8KP41-0AA0	—
150	3VA6115-5KP41-0AA0	3VA6115-6KP41-0AA0	3VA6115-7KP41-0AA0	3VA6115-8KP41-0AA0	—
ETU856 LSI(G Alarm) with LCD and Metering					
40	3VA6140-5KT41-0AA0	3VA6140-6KT41-0AA0	3VA6140-7KT41-0AA0	3VA6140-8KT41-0AA0	3VA6160-0KT41-0AA0 <sup>①</sup>
100	3VA6110-5KT41-0AA0	3VA6110-6KT41-0AA0	3VA6110-7KT41-0AA0	3VA6110-8KT41-0AA0	3VA6110-0KT41-0AA0
150	3VA6115-5KT41-0AA0	3VA6115-6KT41-0AA0	3VA6115-7KT41-0AA0	3VA6115-8KT41-0AA0	3VA6115-0KT41-0AA0
ETU860 LSI(G) with LCD and Metering					
40	3VA6140-5KQ41-0AA0	3VA6140-6KQ41-0AA0	3VA6140-7KQ41-0AA0	3VA6140-8KQ41-0AA0	3VA6160-0KQ41-0AA0 <sup>①</sup>
100	3VA6110-5KQ41-0AA0	3VA6110-6KQ41-0AA0	3VA6110-7KQ41-0AA0	3VA6110-8KQ41-0AA0	3VA6110-0KQ41-0AA0
150	3VA6115-5KQ41-0AA0	3VA6115-6KQ41-0AA0	3VA6115-7KQ41-0AA0	3VA6115-8KQ41-0AA0	3VA6115-0KQ41-0AA0

① The lowest amperage trip unit available for the EDAE class breakers is 60 amps.



# Molded Case Circuit Breakers

## 3VA61 150A Electronic Trip Circuit Breakers

Technical information

Connectors for 75C wire for 3VA61

Type	Minimum cable size	Maximum cable size	Part Number (kit of 3 lugs)	Part Number (kit of 4 lugs)
Steel Wrap around (Cu cable only) single cable lugs	AWG 10	3/0	3VA9143-0JA12	3VA9144-0JA12
	AWG 4	350 kcmil	3VA9243-0JA12	3VA9244-0JA12
Aluminum Body Lug (Cu/Al cable) single cable lugs	AWG 14	1/0	3VA9143-0JB11	3VA9144-0JB11
	AWG 6	350 kcmil	3VA9243-0JB12	3VA9244-0JB12
Aluminum body lug with control wire tap (Cu/Al cable) single cable lugs	AWG 14	1/0	3VA9143-0JG11	3VA9144-0JG11
	AWG 6	350 kcmil	3VA9243-0JG12	3VA9244-0JG12
Aluminum body lug large (Cu/Al cable) single cable lugs and 1 ext'd terminal cover	AWG 2	350 kcmil	3VA9243-0JJ13	3VA9244-0JJ13
Aluminum body lug large with control wire tap (Cu/Al cable) single cable lugs and 1 extended terminal cover	AWG 2	350 kcmil	3VA9243-0JC13	3VA9244-0JC13
Aluminum body lug, 2 cables (Cu/Al cable) with 1 extended terminal cover	AWG 4	300 kcmil	3VA9243-0JJ22	3VA9244-0JJ22
Aluminum body lug, 2 cables (Cu/Al cable) with control wire tap and 1 extended terminal cover	AWG 4	300 kcmil	3VA9243-0JC22	3VA9244-0JC22
Distribution lug, 6 Cables (Cu/Al cable) with 1 extended terminal cover	AWG 14	AWG 2	3VA9243-0JF60	3VA9244-0JF60
Copper body lug (Cu cable only) single cable lugs kit of 3 single lugs (meets requirements for 100% rated breakers)	AWG 14	1/0	3VA9143-0JD11	3VA9144-0JD11
	AWG 6	350 kcmil	3VA9243-0JD12	3VA9244-0JD12
Copper body lug (Cu cable only) with control wire tap single cable lugs	AWG 14	1/0	3VA9143-0JK11	3VA9144-0JK11
	AWG 6	350 kcmil	3VA9243-0JK12	3VA9244-0JK12

Interrupting Ratings for 3VA61

Interrupting Class	Breaker Type	RMS Symmetrical Amperes (kA)			
		Volts AC (50/60 Hz)			
		240	480Y/277V	480	600
M	MDAE	100	35	35	18
H	HDAE	100	65	65	22
C	CDAE	200	100	100	35
L	LDAE	200	150	150	50
E	EDAE	—	200	200	100

Dimensions

Shipping Weight

Breaker	Poles	W in. (mm)	H in. (mm)	D in. (mm)	lbs.	kg
3VA61	3	4.1 (105)	7.8 (198)	3.4 (86)	5.5	2.5
3VA61	4	5.5 (140)	7.8 (198)	3.4 (86)	7.1	3.2

# Molded Case Circuit Breakers

## 3VA61 150A Electronic Trip Circuit Breakers

Technical information

### Trip Settings for 3VA61

ETU320-LI, ETU330-LIG, ETU350-LSI

Continuous Amperage	LI, LIG, LSI			LSI		LIG	LI, LIG, LSI 4P only
$I_n$ (Amp)	$I_n$ (Amp) (L)	$t_{sd}$ (sec) (L)	$I_n$ (Amp) (I)Ⓣ	$I_{sd} = xI_r$ (Amp) (S)	$t_{sd}$ (sec) (S)	$I_n$ (Amp) (G)	$I_n = xI_n$ (Amp)
40	15 - 40	0.5 - 17	60-480	1.5 - 10	0.08 - 0.4	15 - 40	1 / OFF
100	40 - 100	0.5 - 17	150-1200	1.5 - 10		20 - 100	0.5 - 1 / OFF
150	60 - 150	0.5 - 17	225-1500	1.5 - 10		30 - 150	0.5 - 1 / OFF

Ⓣ  $I_n$  for ETU350 is fixed at 12X  $I_n$

ETU550-LSI, ETU556 LSI(A), ETU560-LSIG, ETU820-LI, ETU830-LIG, ETU850-LSI, ETU856 LSI(A), ETU860-LSIG

Continuous Amperage	LI, LIG, LSI, LSIG, LSI(G)			LSI, LSIG, LSI(G)		LIG, LSIG, LSI(G)		LSI 3P with External CT	LI, LIG, LSI, LSIG, LSI(G) 4P only
$I_n$ (Amp)	$I_n$ (Amp) (L)	$t_{sd}$ (sec) (L)	$I_n$ (Amp) (I)	$I_{sd}$ (Amp) (S)	$t_{sd}$ (sec) (S)	$I_n$ (Amp) (G)	$t_n$ (G)	$I_n = xI_n$ (Amp)	$I_n$ (Amp)
40	15 - 40	0.5 - 25	60-480	24 - 400	0.05 - 0.5	15 - 40	0.05 - 0.8	15 - 64 / OFF	15 - 64 / OFF
100	40 - 100	0.5 - 25	150-1200	60 - 1000		20 - 100		20 - 160 / OFF	20 - 150 / OFF
150	60 - 150	0.5 - 20	225-1500	90 - 1500		30 - 150		30 - 240 / OFF	30 - 150 / OFF

For specific trip settings refer to the Electronic Trip Unit section of the 3VA Systems Manual, which can be found in the document download center at [https://www.siemens.com/download?BTLV\\_50412](https://www.siemens.com/download?BTLV_50412).

Internal accessories Optional equipment	Slot No.:	3VA6 150/250 A 3-pole							3VA6 150/250 A 4-pole											
		24	23	24	21	250 A	11	12	13	14	24	23	22	21	250 A	11	12	13	14	
<b>Auxiliary switch</b>	Type																			
Auxiliary switch	AUX_HQ	x	x	x	x		x	x	x	x		x	x	x	x		x	x	x	x
	AUX_HQ_el	x	x	x	x		x	x	x	x		x	x	x	x		x	x	x	x
	AUX_HP	x		x			x		x			x		x			x		x	
Leading changeover switch	LCS_HQ						x									x				
	LCS_HQ_el						x									x				
	LCS_HP						x									x				
<b>Auxiliary switch</b>	Type																			
Trip alarm switch	TAS_HQ		x	x			x	x				x	x							
	TAS_HQ_el		x	x			x	x				x	x							
	TAS_HP		x				x					x								
Electrical alarm switch	EAS_HQ																		x	
	EAS_HQ_el																		x	
<b>Auxiliary switch</b>	Type																			
Shunt trip flexible	STF		x				x					x								
Shunt trip left	STL		x																	
Undervoltage release	UVR		x																	
Universal release	UVI		x																	
<b>ETU/communication</b>	Type																			
Communication module	COM060																		x	
Breaker data server																			x	
24 V module																			x	
<b>Other</b>																				
Cylinder lock (type Ronis)																			x	

See page 5-72 for internal accessory part numbers.

# Molded Case Circuit Breakers

## 3VA52 250A Thermal-magnetic Trip Circuit Breakers

*Selection*

### 3VA52 250 A Frame, 2-(3)Pole Thermal-Magnetic Trip Unit

Cont. Ampere Rating	M-Interrupting Class (MFAS)	H-Interrupting Class (HFAS)	C-Interrupting Class (CFAS)
	Catalogue Number	Catalogue Number	Catalogue Number
TM210 FTFM			
40	3VA5240-5ED61-0AA0	3VA5240-6ED61-0AA0	3VA5240-7ED61-0AA0
45	3VA5245-5ED61-0AA0	3VA5245-6ED61-0AA0	3VA5245-7ED61-0AA0
50	3VA5250-5ED61-0AA0	3VA5250-6ED61-0AA0	3VA5250-7ED61-0AA0
60	3VA5260-5ED61-0AA0	3VA5260-6ED61-0AA0	3VA5260-7ED61-0AA0
70	3VA5270-5ED61-0AA0	3VA5270-6ED61-0AA0	3VA5270-7ED61-0AA0
80	3VA5280-5ED61-0AA0	3VA5280-6ED61-0AA0	3VA5280-7ED61-0AA0
90	3VA5290-5ED61-0AA0	3VA5290-6ED61-0AA0	3VA5290-7ED61-0AA0
100	3VA5210-5ED61-0AA0	3VA5210-6ED61-0AA0	3VA5210-7ED61-0AA0
110	3VA5211-5ED61-0AA0	3VA5211-6ED61-0AA0	3VA5211-7ED61-0AA0
125	3VA5212-5ED61-0AA0	3VA5212-6ED61-0AA0	3VA5212-7ED61-0AA0
150	3VA5215-5ED61-0AA0	3VA5215-6ED61-0AA0	3VA5215-7ED61-0AA0
175	3VA5217-5ED61-0AA0	3VA5217-6ED61-0AA0	3VA5217-7ED61-0AA0
200	3VA5220-5ED61-0AA0	3VA5220-6ED61-0AA0	3VA5220-7ED61-0AA0
225	3VA5222-5ED61-0AA0	3VA5222-6ED61-0AA0	3VA5222-7ED61-0AA0
250	3VA5225-5ED61-0AA0	3VA5225-6ED61-0AA0	3VA5225-7ED61-0AA0

TM230 FTAM			
70	3VA5270-5EC61-0AA0	3VA5270-6EC61-0AA0	3VA5270-7EC61-0AA0
80	3VA5280-5EC61-0AA0	3VA5280-6EC61-0AA0	3VA5280-7EC61-0AA0
90	3VA5290-5EC61-0AA0	3VA5290-6EC61-0AA0	3VA5290-7EC61-0AA0
100	3VA5210-5EC61-0AA0	3VA5210-6EC61-0AA0	3VA5210-7EC61-0AA0
110	3VA5211-5EC61-0AA0	3VA5211-6EC61-0AA0	3VA5211-7EC61-0AA0
125	3VA5212-5EC61-0AA0	3VA5212-6EC61-0AA0	3VA5212-7EC61-0AA0
150	3VA5215-5EC61-0AA0	3VA5215-6EC61-0AA0	3VA5215-7EC61-0AA0
175	3VA5217-5EC61-0AA0	3VA5217-6EC61-0AA0	3VA5217-7EC61-0AA0
200	3VA5220-5EC61-0AA0	3VA5220-6EC61-0AA0	3VA5220-7EC61-0AA0
225	3VA5222-5EC61-0AA0	3VA5222-6EC61-0AA0	3VA5222-7EC61-0AA0
250	3VA5225-5EC61-0AA0	3VA5225-6EC61-0AA0	3VA5225-7EC61-0AA0



3VA52 250A 3-Pole

### Ordering Information

The catalog numbers listed here are for complete, non-interchangeable trip circuit breakers without lugs.

Order required lugs or connection technology separately for field installation.

All 3VA52 thermal-magnetic trip circuit breakers are CSA approved / UL listed for reverse feed applications.

For NAVAL rated thermal-magnetic trip circuit breakers, change the 13th digit of the catalog number to the number "1". (For example, a 18kA @600VAC, 150A, 3-pole, NAVAL rated 3VA52 would be catalog number 3VA5215-5ED31-1AA0)

### Dimensions

Breaker	Poles	W in. (mm)	H in. (mm)	D in. (mm)	lbs.	kg
3VA52	2(3-) pole	4.1 (105)	7.3 (185)	3.3 (83)	4.1	1.9
3VA52	3-pole	4.1 (105)	7.3 (185)	3.3 (83)	4.5	2.1

### Shipping Weight

# Molded Case Circuit Breakers

## 3VA52 250A Thermal-magnetic Trip Circuit Breakers

*Selection*

### 3VA52 250 A Frame, 3-Pole Thermal-Magnetic Trip Unit

Cont. Ampere Rating	M-Interrupting Class (MFAS)	H-Interrupting Class (HFAS)	C-Interrupting Class (CFAS)
	Catalog Number	Catalog Number	Catalog Number

#### TM210 FTFM<sup>Ⓞ</sup>

40	3VA5240-5ED31-0AA0	3VA5240-6ED31-0AA0	3VA5240-7ED31-0AA0
45	3VA5245-5ED31-0AA0	3VA5245-6ED31-0AA0	3VA5245-7ED31-0AA0
50	3VA5250-5ED31-0AA0	3VA5250-6ED31-0AA0	3VA5250-7ED31-0AA0
60	3VA5260-5ED31-0AA0	3VA5260-6ED31-0AA0	3VA5260-7ED31-0AA0
70	3VA5270-5ED31-0AA0	3VA5270-6ED31-0AA0	3VA5270-7ED31-0AA0
80	3VA5280-5ED31-0AA0	3VA5280-6ED31-0AA0	3VA5280-7ED31-0AA0
90	3VA5290-5ED31-0AA0	3VA5290-6ED31-0AA0	3VA5290-7ED31-0AA0
100	3VA5210-5ED31-0AA0	3VA5210-6ED31-0AA0	3VA5210-7ED31-0AA0
110	3VA5211-5ED31-0AA0	3VA5211-6ED31-0AA0	3VA5211-7ED31-0AA0
125	3VA5212-5ED31-0AA0	3VA5212-6ED31-0AA0	3VA5212-7ED31-0AA0
150	3VA5215-5ED31-0AA0	3VA5215-6ED31-0AA0	3VA5215-7ED31-0AA0
175	3VA5217-5ED31-0AA0	3VA5217-6ED31-0AA0	3VA5217-7ED31-0AA0
200	3VA5220-5ED31-0AA0	3VA5220-6ED31-0AA0	3VA5220-7ED31-0AA0
225	3VA5222-5ED31-0AA0	3VA5222-6ED31-0AA0	3VA5222-7ED31-0AA0
250	3VA5225-5ED31-0AA0	3VA5225-6ED31-0AA0	3VA5225-7ED31-0AA0

#### TM230 FTAM<sup>Ⓞ</sup>

70	3VA5270-5EC31-0AA0	3VA5270-6EC31-0AA0	3VA5270-7EC31-0AA0
80	3VA5280-5EC31-0AA0	3VA5280-6EC31-0AA0	3VA5280-7EC31-0AA0
90	3VA5290-5EC31-0AA0	3VA5290-6EC31-0AA0	3VA5290-7EC31-0AA0
100	3VA5210-5EC31-0AA0	3VA5210-6EC31-0AA0	3VA5210-7EC31-0AA0
110	3VA5211-5EC31-0AA0	3VA5211-6EC31-0AA0	3VA5211-7EC31-0AA0
125	3VA5212-5EC31-0AA0	3VA5212-6EC31-0AA0	3VA5212-7EC31-0AA0
150	3VA5215-5EC31-0AA0	3VA5215-6EC31-0AA0	3VA5215-7EC31-0AA0
175	3VA5217-5EC31-0AA0	3VA5217-6EC31-0AA0	3VA5217-7EC31-0AA0
200	3VA5220-5EC31-0AA0	3VA5220-6EC31-0AA0	3VA5220-7EC31-0AA0
225	3VA5222-5EC31-0AA0	3VA5222-6EC31-0AA0	3VA5222-7EC31-0AA0
250	3VA5225-5EC31-0AA0	3VA5225-6EC31-0AA0	3VA5225-7EC31-0AA0

#### TM240 ATAM

70	3VA5270-5EF31-0AA0	3VA5270-6EF31-0AA0	3VA5270-7EF31-0AA0
80	3VA5280-5EF31-0AA0	3VA5280-6EF31-0AA0	3VA5280-7EF31-0AA0
100	3VA5210-5EF31-0AA0	3VA5210-6EF31-0AA0	3VA5210-7EF31-0AA0
125	3VA5212-5EF31-0AA0	3VA5212-6EF31-0AA0	3VA5212-7EF31-0AA0
150	3VA5215-5EF31-0AA0	3VA5215-6EF31-0AA0	3VA5215-7EF31-0AA0
175	3VA5217-5EF31-0AA0	3VA5217-6EF31-0AA0	3VA5217-7EF31-0AA0
200	3VA5220-5EF31-0AA0	3VA5220-6EF31-0AA0	3VA5220-7EF31-0AA0
250	3VA5225-5EF31-0AA0	3VA5225-6EF31-0AA0	3VA5225-7EF31-0AA0

### Ordering Information

The catalog numbers listed here are for complete, non-interchangeable trip circuit breakers without lugs.

Order required lugs or connection technology separately for field installation.

All 3VA52 thermal-magnetic trip circuit breakers are CSA approved / UL listed for reverse feed applications.

For NAVAL rated thermal-magnetic trip circuit breakers, change the 13th digit of the catalog number to the number "1". (For example, a 18kA @600VAC, 150A, 3-pole, NAVAL rated 3VA52 would be catalog number 3VA5215-5ED31-1AA0)

### Dimensions

Breaker	Poles	W in. (mm)	H in. (mm)	D in. (mm)	lbs.	kg
3VA52	2(3-) pole	4.1 (105)	7.3 (185)	3.3 (83)	4.1	1.9
3VA52	3-pole	4.1 (105)	7.3 (185)	3.3 (83)	4.5	2.1

### Shipping Weight

<sup>Ⓞ</sup> Available with NAVAL/50C ratings.

# Molded Case Circuit Breakers

## 3VA52 250A Thermal-magnetic Trip Circuit Breakers

*Selection*

### 3VA52 250A Frame, 4-pole Thermal-Magnetic Trip Unit

Cont. Ampere Rating	M-Interrupting Class (MFAS)	H-Interrupting Class (HFAS)	C-Interrupting Class (CFAS)
	Catalog Number	Catalog Number	Catalog Number
TM210 FTFM			
40	3VA5240-5ED41-0AA0	3VA5240-6ED41-0AA0	3VA5240-7ED41-0AA0
45	3VA5245-5ED41-0AA0	3VA5245-6ED41-0AA0	3VA5245-7ED41-0AA0
50	3VA5250-5ED41-0AA0	3VA5250-6ED41-0AA0	3VA5250-7ED41-0AA0
60	3VA5260-5ED41-0AA0	3VA5260-6ED41-0AA0	3VA5260-7ED41-0AA0
70	3VA5270-5ED41-0AA0	3VA5270-6ED41-0AA0	3VA5270-7ED41-0AA0
80	3VA5280-5ED41-0AA0	3VA5280-6ED41-0AA0	3VA5280-7ED41-0AA0
90	3VA5290-5ED41-0AA0	3VA5290-6ED41-0AA0	3VA5290-7ED41-0AA0
100	3VA5210-5ED41-0AA0	3VA5210-6ED41-0AA0	3VA5210-7ED41-0AA0
110	3VA5211-5ED41-0AA0	3VA5211-6ED41-0AA0	3VA5211-7ED41-0AA0
125	3VA5212-5ED41-0AA0	3VA5212-6ED41-0AA0	3VA5212-7ED41-0AA0
150	3VA5215-5ED41-0AA0	3VA5215-6ED41-0AA0	3VA5215-7ED41-0AA0
175	3VA5217-5ED41-0AA0	3VA5217-6ED41-0AA0	3VA5217-7ED41-0AA0
200	3VA5220-5ED41-0AA0	3VA5220-6ED41-0AA0	3VA5220-7ED41-0AA0
225	3VA5222-5ED41-0AA0	3VA5222-6ED41-0AA0	3VA5222-7ED41-0AA0
250	3VA5225-5ED41-0AA0	3VA5225-6ED41-0AA0	3VA5225-7ED41-0AA0
TM210 FTFM 100% Neutral			
90	3VA5290-5GD41-0AA0	3VA5290-6GD41-0AA0	3VA5290-7GD41-0AA0
100	3VA5210-5GD41-0AA0	3VA5210-6GD41-0AA0	3VA5210-7GD41-0AA0
110	3VA5211-5GD41-0AA0	3VA5211-6GD41-0AA0	3VA5211-7GD41-0AA0
125	3VA5212-5GD41-0AA0	3VA5212-6GD41-0AA0	3VA5212-7GD41-0AA0
150	3VA5215-5GD41-0AA0	3VA5215-6GD41-0AA0	3VA5215-7GD41-0AA0
175	3VA5217-5GD41-0AA0	3VA5217-6GD41-0AA0	3VA5217-7GD41-0AA0
200	3VA5220-5GD41-0AA0	3VA5220-6GD41-0AA0	3VA5220-7GD41-0AA0
225	3VA5222-5GD41-0AA0	3VA5222-6GD41-0AA0	3VA5222-7GD41-0AA0
250	3VA5225-5GD41-0AA0	3VA5225-6GD41-0AA0	3VA5225-7GD41-0AA0
TM230 FTAM			
70	3VA5270-5EC41-0AA0	3VA5270-6EC41-0AA0	3VA5270-7EC41-0AA0
80	3VA5280-5EC41-0AA0	3VA5280-6EC41-0AA0	3VA5280-7EC41-0AA0
90	3VA5290-5EC41-0AA0	3VA5290-6EC41-0AA0	3VA5290-7EC41-0AA0
100	3VA5210-5EC41-0AA0	3VA5210-6EC41-0AA0	3VA5210-7EC41-0AA0
110	3VA5211-5EC41-0AA0	3VA5211-6EC41-0AA0	3VA5211-7EC41-0AA0
125	3VA5212-5EC41-0AA0	3VA5212-6EC41-0AA0	3VA5212-7EC41-0AA0
150	3VA5215-5EC41-0AA0	3VA5215-6EC41-0AA0	3VA5215-7EC41-0AA0
175	3VA5217-5EC41-0AA0	3VA5217-6EC41-0AA0	3VA5217-7EC41-0AA0
200	3VA5220-5EC41-0AA0	3VA5220-6EC41-0AA0	3VA5220-7EC41-0AA0
225	3VA5222-5EC41-0AA0	3VA5222-6EC41-0AA0	3VA5222-7EC41-0AA0
250	3VA5225-5EC41-0AA0	3VA5225-6EC41-0AA0	3VA5225-7EC41-0AA0
TM230 FTAM 100% Neutral			
90	3VA5290-5GC41-0AA0	3VA5290-6GC41-0AA0	3VA5290-7GC41-0AA0
100	3VA5210-5GC41-0AA0	3VA5210-6GC41-0AA0	3VA5210-7GC41-0AA0
110	3VA5211-5GC41-0AA0	3VA5211-6GC41-0AA0	3VA5211-7GC41-0AA0
125	3VA5212-5GC41-0AA0	3VA5212-6GC41-0AA0	3VA5212-7GC41-0AA0
150	3VA5215-5GC41-0AA0	3VA5215-6GC41-0AA0	3VA5215-7GC41-0AA0
175	3VA5217-5GC41-0AA0	3VA5217-6GC41-0AA0	3VA5217-7GC41-0AA0
200	3VA5220-5GC41-0AA0	3VA5220-6GC41-0AA0	3VA5220-7GC41-0AA0
225	3VA5222-5GC41-0AA0	3VA5222-6GC41-0AA0	3VA5222-7GC41-0AA0
250	3VA5225-5GC41-0AA0	3VA5225-6GC41-0AA0	3VA5225-7GC41-0AA0
TM240 ATAM			
70	3VA5270-5EF41-0AA0	3VA5270-6EF41-0AA0	3VA5270-7EF41-0AA0
80	3VA5280-5EF41-0AA0	3VA5280-6EF41-0AA0	3VA5280-7EF41-0AA0
100	3VA5210-5EF41-0AA0	3VA5210-6EF41-0AA0	3VA5210-7EF41-0AA0
125	3VA5212-5EF41-0AA0	3VA5212-6EF41-0AA0	3VA5212-7EF41-0AA0
150	3VA5215-5EF41-0AA0	3VA5215-6EF41-0AA0	3VA5215-7EF41-0AA0
175	3VA5217-5EF41-0AA0	3VA5217-6EF41-0AA0	3VA5217-7EF41-0AA0
200	3VA5220-5EF41-0AA0	3VA5220-6EF41-0AA0	3VA5220-7EF41-0AA0
250	3VA5225-5EF41-0AA0	3VA5225-6EF41-0AA0	3VA5225-7EF41-0AA0
TM240 ATAM 100% Neutral			
100	3VA5210-5GF41-0AA0	3VA5210-6GF41-0AA0	3VA5210-7GF41-0AA0
125	3VA5212-5GF41-0AA0	3VA5212-6GF41-0AA0	3VA5212-7GF41-0AA0
150	3VA5215-5GF41-0AA0	3VA5215-6GF41-0AA0	3VA5215-7GF41-0AA0
175	3VA5217-5GF41-0AA0	3VA5217-6GF41-0AA0	3VA5217-7GF41-0AA0
200	3VA5220-5GF41-0AA0	3VA5220-6GF41-0AA0	3VA5220-7GF41-0AA0
250	3VA5225-5GF41-0AA0	3VA5225-6GF41-0AA0	3VA5225-7GF41-0AA0

# Molded Case Circuit Breakers

## 3VA52 250A Thermal-magnetic Trip Circuit Breakers

Technical information

### Interrupting Ratings for 3VA52

Interrupting Class	Breaker Type	RMS Symmetrical Amperes (kA)							
		Volts AC (50/60 Hz)						Volts DC	
		240	480Y/277V	480	600Y/347V	600	250	500	600 (3P)
M	MFAS	85	35	35	18	18	50	50	50
H	HFAS	100	65	65	25	25	85	85	85
C	CFAS	200	100	100	35	35	100	100	100

### Trip Settings for 3VA52

TM210 - FTFM		
I <sub>n</sub> (A)	I <sub>n</sub> (A)	I <sub>n</sub> (A)
100	100	1000
110	110	1100
125	125	1250
150	150	1500
175	175	1750
200	200	2000
225	225	2250
250	250	2500

TM230 - FTAM							
I <sub>n</sub> (A)	I <sub>n</sub> (A)	I <sub>n</sub> (A)	I <sub>n</sub> (A)	I <sub>n</sub> (A)	I <sub>n</sub> (A)	I <sub>n</sub> (A)	I <sub>n</sub> (A)
100	100	500	600	700	800	900	1000
110	110	550	660	770	880	990	1100
125	125	625	750	875	1000	1125	1125
150	150	750	900	1050	1200	1350	1500
175	175	875	1050	1225	1400	1575	1750
200	200	1000	1200	1400	1600	1800	2000
225	225	1125	1350	1575	1800	2025	2250
250	250	1250	1500	1750	2000	2250	2500

### Connectors for 75C Wire for 3VA52

Type	Minimum cable size	Maximum cable size	Part Number (kit of 3 lugs)
Steel wrap around (Cu cable only), single cable lugs	AWG 10	3/0	3VA9233-0JA11
	AWG 4	350 kcmil	3VA9233-0JA12
Aluminum body lug (Cu/Al cable), single cable lugs	AWG 6	350 kcmil	3VA9233-0JB12
Aluminum body lug (Cu/Al cable) with control wire tap, single cable lugs	AWG 6	350 kcmil	3VA9233-0JG12
Aluminum body lug large (Cu/Al cable) single cable lugs with 1 extended terminal cover	AWG 2	350 kcmil	3VA9233-0JJ13
Aluminum body lug large with control wire tap (Cu/Al cable) single cable lugs and 1 extended terminal cover	AWG 2	350 kcmil	3VA9233-0JC13
Aluminum body lug, 2 cables (Cu/Al cable) with control wire tap and 1 extended terminal cover	AWG 4	300 kcmil	3VA9233-0JJ22
Distribution lug, 6 Cables (Cu/Al cable) with 1 extended terminal cover	AWG 14	AWG 2	3VA9233-0JF60
Copper body lug (Cu cable only) single cable lugs	AWG 6	350 kcmil	3VA9233-0JD12
Copper body lug with control wire tap (Cu cable only) single cable lugs	AWG 6	350 kcmil	3VA9233-0JK12

See page 5-72 for internal accessory part numbers.

Internal accessories Optional equipment		3VA5 250 A 2(3)-pole & 3-pole	
		Slot No.:	
		24	23
		22	21
		11	12
		13	14
		250 A	
<b>Auxiliary switch</b>		<b>Type</b>	
Auxiliary switch	AUX_HQ	x	x
	AUX_HQ_el	x	x
	AUX_HP	x	x
Leading changeover switch	LCS_HQ		
	LCS_HQ_el		
	LCS_HP		
<b>Auxiliary switch</b>		<b>Type</b>	
Trip alarm switch	TAS_HQ	x	x
	TAS_HQ_el	x	x
	TAS_HP	x	x
<b>Auxiliary switch</b>		<b>Type</b>	
Shunt trip flexible	STF	x	
Shunt trip left	STL	x	
Undervoltage release	UVR	x	
Universal release	UVI	x	
<b>Other</b>			
Cylinder lock (type Ronis)			x



# Molded Case Circuit Breakers

## 3VA62 250A Electronic Trip Circuit Breakers

*Selection*



**3VA62 250A 3-Pole**

### Ordering Information

The catalog numbers listed below are for complete, non-interchangeable trip circuit breakers without lugs.

Order required lugs or connection technology separately for field installation.

All 3VA62 electronic trip circuit breakers are CSA approved and UL listed for reverse feed applications.

All 3VA62 electronic trip circuit breakers are available with 100% ratings.

For 100% rated electronic trip circuit breakers, change the 13th digit of the catalog number to the number "2". (For example, a 18kA @600VAC, 100A, 3-pole, 100% rated 3VA62 would be catalog number 3VA6210-5HL31-2AA0) Requires the use of copper lugs — see lug table below.

All 3VA6 circuit breakers are certified to CSA C22.2 No 5, and UL 489 Supplement SB, are marked "Naval", and are suitable for use at 50C.

### 3VA62 250A Frame 3-Pole Electronic Trip Unit

Continuous Ampere	M-Interrupting Class (MFAE-Y)	H-Interrupting Class (HFAE-Y)	C-Interrupting Class (CFAE-Y)	L-Interrupting Class (LFAE-Y)	E-Interrupting Class (EFAE)
	Catalogue Number	Catalogue Number	Catalogue Number	Catalogue Number	Catalog Number
ETU320 LI with dials					
100	3VA6210-5HL31-0AA0	3VA6210-6HL31-0AA0	3VA6210-7HL31-0AA0	3VA6210-8HL31-0AA0	—
250	3VA6225-5HL31-0AA0	3VA6225-6HL31-0AA0	3VA6225-7HL31-0AA0	3VA6225-8HL31-0AA0	3VA6225-0HL31-0AA0
ETU330 LIG with dials					
100	3VA6210-5HM31-0AA0	3VA6210-6HM31-0AA0	3VA6210-7HM31-0AA0	3VA6210-8HM31-0AA0	—
250	3VA6225-5HM31-0AA0	3VA6225-6HM31-0AA0	3VA6225-7HM31-0AA0	3VA6225-8HM31-0AA0	3VA6225-0HM31-0AA0
ETU350 LSI with dials					
100	3VA6210-5HN31-0AA0	3VA6210-6HN31-0AA0	3VA6210-7HN31-0AA0	3VA6210-8HN31-0AA0	—
250	3VA6225-5HN31-0AA0	3VA6225-6HN31-0AA0	3VA6225-7HN31-0AA0	3VA6225-8HN31-0AA0	3VA6225-0HN31-0AA0
ETU550 LSI with LCD					
100	3VA6210-5JP31-0AA0	3VA6210-6JP31-0AA0	3VA6210-7JP31-0AA0	3VA6210-8JP31-0AA0	—
250	3VA6225-5JP31-0AA0	3VA6225-6JP31-0AA0	3VA6225-7JP31-0AA0	3VA6225-8JP31-0AA0	—
ETU556 LSI(G Alarm) with LCD					
100	3VA6210-5JT31-0AA0	3VA6210-6JT31-0AA0	3VA6210-7JT31-0AA0	3VA6210-8JT31-0AA0	—
250	3VA6225-5JT31-0AA0	3VA6225-6JT31-0AA0	3VA6225-7JT31-0AA0	3VA6225-8JT31-0AA0	—
ETU560 LSI(G) with LCD					
100	3VA6210-5JQ31-0AA0	3VA6210-6JQ31-0AA0	3VA6210-7JQ31-0AA0	3VA6210-8JQ31-0AA0	—
250	3VA6225-5JQ31-0AA0	3VA6225-6JQ31-0AA0	3VA6225-7JQ31-0AA0	3VA6225-8JQ31-0AA0	—
ETU820 LI with LCD and Metering					
100	3VA6210-5KL31-0AA0	3VA6210-6KL31-0AA0	3VA6210-7KL31-0AA0	3VA6210-8KL31-0AA0	—
250	3VA6225-5KL31-0AA0	3VA6225-6KL31-0AA0	3VA6225-7KL31-0AA0	3VA6225-8KL31-0AA0	—
ETU830 LIG with LCD and Metering					
100	3VA6210-5KM31-0AA0	3VA6210-6KM31-0AA0	3VA6210-7KM31-0AA0	3VA6210-8KM31-0AA0	—
250	3VA6225-5KM31-0AA0	3VA6225-6KM31-0AA0	3VA6225-7KM31-0AA0	3VA6225-8KM31-0AA0	—
ETU850 LSI with LCD and Metering					
100	3VA6210-5KP31-0AA0	3VA6210-6KP31-0AA0	3VA6210-7KP31-0AA0	3VA6210-8KP31-0AA0	—
250	3VA6225-5KP31-0AA0	3VA6225-6KP31-0AA0	3VA6225-7KP31-0AA0	3VA6225-8KP31-0AA0	—
ETU856 LSI(G Alarm) with LCD and Metering					
100	3VA6210-5KT31-0AA0	3VA6210-6KT31-0AA0	3VA6210-7KT31-0AA0	3VA6210-8KT31-0AA0	—
250	3VA6225-5KT31-0AA0	3VA6225-6KT31-0AA0	3VA6225-7KT31-0AA0	3VA6225-8KT31-0AA0	3VA6225-0KT31-0AA0
ETU860 LSI(G) with LCD and Metering					
100	3VA6210-5KQ31-0AA0	3VA6210-6KQ31-0AA0	3VA6210-7KQ31-0AA0	3VA6210-8KQ31-0AA0	—
250	3VA6225-5KQ31-0AA0	3VA6225-6KQ31-0AA0	3VA6225-7KQ31-0AA0	3VA6225-8KQ31-0AA0	3VA6225-0KQ31-0AA0

# Molded Case Circuit Breakers

## 3VA62 250A Electronic Trip Circuit Breakers

*Selection*



**3VA62 250A 4-Pole**

### Ordering Information

The catalog numbers listed below are for complete, non-interchangeable trip circuit breakers without lugs.

Order required lugs or connection technology separately for field installation.

All 3VA62 electronic trip circuit breakers are CSA approved and UL listed for reverse feed applications.

All 3VA62 electronic trip circuit breakers are available with 100% ratings.

For 100% rated electronic trip circuit breakers, change the 13th digit of the catalog number to the number "2". (For example, a 18kA @600VAC, 100A, 3-pole, 100% rated 3VA62 would be catalog number 3VA6210-5HL31-2AA0) Requires the use of copper lugs — see lug table below.

All 3VA6 circuit breakers are certified to CSA C22.2 No 5, and UL 489 Supplement SB, are marked "Naval", and are suitable for use at 50C.

### 3VA62 250A Frame 4-Pole Electronic Trip Unit

Continuous Ampere	M-Interrupting Class (MFAE-Y)	H-Interrupting Class (HFAE-Y)	C-Interrupting Class (CFAE-Y)	L-Interrupting Class (LFAE-Y)	E-Interrupting Class (EFAE)
	Catalog Number	Catalog Number	Catalog Number	Catalog Number	Catalog Number
ETU320 LI with dials					
100	3VA6210-5HL41-0AA0	3VA6210-6HL41-0AA0	3VA6210-7HL41-0AA0	3VA6210-8HL41-0AA0	—
250	3VA6225-5HL41-0AA0	3VA6225-6HL41-0AA0	3VA6225-7HL41-0AA0	3VA6225-8HL41-0AA0	3VA6225-0HL41-0AA0
ETU330 LIG with dials					
100	3VA6210-5HM41-0AA0	3VA6210-6HM41-0AA0	3VA6210-7HM41-0AA0	3VA6210-8HM41-0AA0	—
250	3VA6225-5HM41-0AA0	3VA6225-6HM41-0AA0	3VA6225-7HM41-0AA0	3VA6225-8HM41-0AA0	3VA6225-0HM41-0AA0
ETU350 LSI with dials					
100	3VA6210-5HN41-0AA0	3VA6210-6HN41-0AA0	3VA6210-7HN41-0AA0	3VA6210-8HN41-0AA0	—
250	3VA6225-5HN41-0AA0	3VA6225-6HN41-0AA0	3VA6225-7HN41-0AA0	3VA6225-8HN41-0AA0	3VA6225-0HN41-0AA0
ETU550 LSI with LCD					
100	3VA6210-5JP41-0AA0	3VA6210-6JP41-0AA0	3VA6210-7JP41-0AA0	3VA6210-8JP41-0AA0	—
250	3VA6225-5JP41-0AA0	3VA6225-6JP41-0AA0	3VA6225-7JP41-0AA0	3VA6225-8JP41-0AA0	—
ETU556 LSI(G Alarm) with LCD					
100	3VA6210-5JT41-0AA0	3VA6210-6JT41-0AA0	3VA6210-7JT41-0AA0	3VA6210-8JT41-0AA0	—
250	3VA6225-5JT41-0AA0	3VA6225-6JT41-0AA0	3VA6225-7JT41-0AA0	3VA6225-8JT41-0AA0	—
ETU560 LSI(G) with LCD					
100	3VA6210-5JQ41-0AA0	3VA6210-6JQ41-0AA0	3VA6210-7JQ41-0AA0	3VA6210-8JQ41-0AA0	—
250	3VA6225-5JQ41-0AA0	3VA6225-6JQ41-0AA0	3VA6225-7JQ41-0AA0	3VA6225-8JQ41-0AA0	—
ETU820 LI with LCD and Metering					
100	3VA6210-5KL41-0AA0	3VA6210-6KL41-0AA0	3VA6210-7KL41-0AA0	3VA6210-8KL41-0AA0	—
250	3VA6225-5KL41-0AA0	3VA6225-6KL41-0AA0	3VA6225-7KL41-0AA0	3VA6225-8KL41-0AA0	—
ETU830 LIG with LCD and Metering					
100	3VA6210-5KM41-0AA0	3VA6210-6KM41-0AA0	3VA6210-7KM41-0AA0	3VA6210-8KM41-0AA0	—
250	3VA6225-5KM41-0AA0	3VA6225-6KM41-0AA0	3VA6225-7KM41-0AA0	3VA6225-8KM41-0AA0	—
ETU850 LSI with LCD and Metering					
100	3VA6210-5KP41-0AA0	3VA6210-6KP41-0AA0	3VA6210-7KP41-0AA0	3VA6210-8KP41-0AA0	—
250	3VA6225-5KP41-0AA0	3VA6225-6KP41-0AA0	3VA6225-7KP41-0AA0	3VA6225-8KP41-0AA0	—
ETU856 LSI(G Alarm) with LCD and Metering					
100	3VA6210-5KT41-0AA0	3VA6210-6KT41-0AA0	3VA6210-7KT41-0AA0	3VA6210-8KT41-0AA0	—
250	3VA6225-5KT41-0AA0	3VA6225-6KT41-0AA0	3VA6225-7KT41-0AA0	3VA6225-8KT41-0AA0	3VA6225-0KT41-0AA0
ETU860 LSI(G) with LCD and Metering					
100	3VA6210-5KQ41-0AA0	3VA6210-6KQ41-0AA0	3VA6210-7KQ41-0AA0	3VA6210-8KQ41-0AA0	—
250	3VA6225-5KQ41-0AA0	3VA6225-6KQ41-0AA0	3VA6225-7KQ41-0AA0	3VA6225-8KQ41-0AA0	3VA6225-0KQ41-0AA0

# Molded Case Circuit Breakers

## 3VA62 250A Electronic Trip Circuit Breakers

Technical information

Connectors for 75C wire for 3VA62

Type	Minimum cable size	Maximum cable size	Part Number (kit of 3 lugs)	Part Number (kit of 4 lugs)
Steel Wrap around (Cu cable only) single cable lugs	AWG 10	3/0	3VA9143-0JA12	3VA9144-0JA12
	AWG 4	350 kcmil	3VA9243-0JA12	3VA9244-0JA12
Aluminum Body Lug (Cu/Al cable) single cable lugs	AWG 14	1/0	3VA9143-0JB11	3VA9144-0JB11
	AWG 6	350 kcmil	3VA9243-0JB12	3VA9244-0JB12
Aluminum body lug with control wire tap (Cu/Al cable) single cable lugs	AWG 14	1/0	3VA9143-0JG11	3VA9144-0JG11
	AWG 6	350 kcmil	3VA9243-0JG12	3VA9244-0JG12
Aluminum body lug large (Cu/Al cable) single cable lugs and 1 ext'd terminal cover	AWG 2	350 kcmil	3VA9243-0JJ13	3VA9244-0JJ13
Aluminum body lug large with control wire tap (Cu/Al cable) single cable lugs and 1 extended terminal cover	AWG 2	350 kcmil	3VA9243-0JC13	3VA9244-0JC13
Aluminum body lug, 2 cables (Cu/Al cable) with 1 extended terminal cover	AWG 4	300 kcmil	3VA9243-0JJ22	3VA9244-0JJ22
Aluminum body lug, 2 cables (Cu/Al cable) with control wire tap and 1 extended terminal cover	AWG 4	300 kcmil	3VA9243-0JC22	3VA9244-0JC22
Distribution lug, 6 Cables (Cu/Al cable) with 1 extended terminal cover	AWG 14	AWG 2	3VA9243-0JF60	3VA9244-0JF60
Copper body lug (Cu cable only) single cable lugs (meets requirements for 100% rated breakers)	AWG 14	1/0	3VA9143-0JD11	3VA9144-0JD11
	AWG 6	350 kcmil	3VA9243-0JD12	3VA9244-0JD12
Copper body lug (Cu cable only) with control wire tap single cable lugs	AWG 14	1/0	3VA9143-0JK11	3VA9144-0JK11
	AWG 6	350 kcmil	3VA9243-0JK12	3VA9244-0JK12

## Interrupting Ratings for 3VA62

Interrupting Class	Breaker Type	RMS Symmetrical Amperes (kA)				
		Volts AC (50/60 Hz)				
		240	480Y/277V	480	600Y/347V	600
M	MFAE-Y	100	35	35	18	—
H	HFAE-Y	100	65	65	22	—
C	CFAE-Y	200	100	100	35	—
L	LFAE-Y	200	150	150	50	—
E	EFAE-Y	—	200	200	100	—

## Dimensions

Breaker	Poles	W in. (mm)	H in. (mm)	D in. (mm)	lbs.	kg
3VA62	3	4.1 (105)	7.8 (198)	3.4 (86)	5.5	2.5
3VA62	4	5.5 (140)	7.8 (198)	3.4 (86)	7.1	3.2

## Shipping Weight

# Molded Case Circuit Breakers

## 3VA62 250A Electronic Trip Circuit Breakers

Technical information

### Trip Settings for 3VA62

ETU320-LI, ETU330-LIG, ETU350-LSI

Continuous Amperage	LI, LIG, LSI			LSI		LIG	LI, LIG, LSI 4P only
	I <sub>n</sub> (Amp)	t <sub>in</sub> (sec) (L)	I <sub>n</sub> (Amp) (I)①	I <sub>sc</sub> =xlr (Amp) (S)	t <sub>in</sub> (sec) (S)		
100	40 - 100	0.5 - 17	150-1200	1.5 - 10	0.08 - 0.4	20 - 100	0.5 - 1 / OFF
250	100 - 250	0.5 - 13	375-2500	1.5 - 10		50 - 250	0.5 - 1 / OFF

① I<sub>n</sub> for ETU350 is fixed at 12X I<sub>n</sub>.

ETU550-LSI, ETU556 LSI(A), ETU560-LSIG, ETU820-LI, ETU830-LIG, ETU850-LSI, ETU856 LSI(A), ETU860-LSIG

Continuous Amperage	LI, LIG, LSI, LSIG, LSI(G)			LSI, LSIG, LSI(G)		LIG, LSIG, LSI(G)		LSI 3P with External CT	LI, LIG, LSI, LSIG, LSI(G) 4P only
	I <sub>n</sub> (Amp)	t <sub>in</sub> (sec) (L)	I <sub>n</sub> (Amp) (I)	I <sub>sc</sub> (Amp) (S)	t <sub>in</sub> (sec) (S)	I <sub>n</sub> (Amp) (G)	t <sub>in</sub> (G)	I <sub>n</sub> =xI <sub>n</sub> (Amp)	I <sub>n</sub> (Amp)
100	40 - 100	0.5 - 25	150-1200	60 - 1000	0.05 - 0.5	20 - 100	0.05 - 0.8	20 - 160 / OFF	20 - 160 / OFF
250	100 - 250	0.5 - 13	375-2500	150 - 2500		50 - 250		50 - 400 / OFF	50 - 250 / OFF

For specific trip settings refer to the Electronic Trip Unit section of the 3VA Systems Manual, which can be found in the document download center at [https://www.siemens.com/download?BTLV\\_50412](https://www.siemens.com/download?BTLV_50412)

Internal accessories Optional equipment	Slot No.:	3VA6 150/250 A 3-pole							3VA6 150/250 A 4-pole												
		24	23	22	21	250 A	11	12	13	14	24	23	22	21	250 A	11	12	13	14		
<b>Auxiliary switch</b>	<b>Type</b>																				
Auxiliary switch	AUX_HQ	x	x	x	x		x	x	x	x		x	x	x	x		x	x	x	x	
	AUX_HQ_el	x	x	x	x		x	x	x	x		x	x	x	x		x	x	x	x	
	AUX_HP																				
Leading changeover switch	LCS_HQ																				
	LCS_HQ_el																				
	LCS_HP																				
<b>Auxiliary switch</b>	<b>Type</b>																				
Trip alarm switch	TAS_HQ				x	x															
	TAS_HQ_el				x	x															
	TAS_HP																				
Electrical alarm switch	EAS_HQ																				
	EAS_HQ_el																				
<b>Auxiliary switch</b>	<b>Type</b>																				
Shunt trip flexible	STF																				
Shunt trip left	STL																				
Undervoltage release	UVR																				
Universal release	UVI																				
<b>ETU/communication</b>	<b>Type</b>																				
Communication module Breaker data server	COM060																				
24 V module																					
<b>Other</b>																					
Cylinder lock (type Ronis)																					

See page 5-72 for internal accessory part numbers.

# Molded Case Circuit Breakers

## 3VA53 400A Thermal-magnetic Trip Circuit Breakers

Selection

3VA53 400A Frame, 2-(3)Pole Frame,  
Thermal-Magnetic Trip Unit

Cont. Ampere Rating	M-Interrupting Class (MJAS)	H-Interrupting Class (HJAS)	C-Interrupting Class (CJAS)
	Catalog Number	Catalog Number	Catalog Number
TM230 FTAM			
200	3VA5320-5EC61-0AA0	3VA5320-6EC61-0AA0	3VA5320-7EC61-0AA0
225	3VA5322-5EC61-0AA0	3VA5322-6EC61-0AA0	3VA5322-7EC61-0AA0
250	3VA5325-5EC61-0AA0	3VA5325-6EC61-0AA0	3VA5325-7EC61-0AA0
300	3VA5330-5EC61-0AA0	3VA5330-6EC61-0AA0	3VA5330-7EC61-0AA0
350	3VA5335-5EC61-0AA0	3VA5335-6EC61-0AA0	3VA5335-7EC61-0AA0
400	3VA5340-5EC61-0AA0	3VA5340-6EC61-0AA0	3VA5340-7EC61-0AA0

3VA53 400A Frame, 3-Pole Frame,  
Thermal-Magnetic Trip Unit

Cont. Ampere Rating	M-Interrupting Class (MJAS)	H-Interrupting Class (HJAS)	C-Interrupting Class (CJAS)
	Catalog Number	Catalog Number	Catalog Number
TM230 FTAM <sup>Ⓞ</sup>			
200	3VA5320-5EC31-0AA0	3VA5320-6EC31-0AA0	3VA5320-7EC31-0AA0
225	3VA5322-5EC31-0AA0	3VA5322-6EC31-0AA0	3VA5322-7EC31-0AA0
250	3VA5325-5EC31-0AA0	3VA5325-6EC31-0AA0	3VA5325-7EC31-0AA0
300	3VA5330-5EC31-0AA0	3VA5330-6EC31-0AA0	3VA5330-7EC31-0AA0
350	3VA5335-5EC31-0AA0	3VA5335-6EC31-0AA0	3VA5335-7EC31-0AA0
400	3VA5340-5EC31-0AA0	3VA5340-6EC31-0AA0	3VA5340-7EC31-0AA0

Cont. Ampere Rating	M-Interrupting Class (MJAS)	H-Interrupting Class (HJAS)	C-Interrupting Class (CJAS)
	Catalog Number	Catalog Number	Catalog Number
TM240 ATAM			
200	3VA5320-5EF31-0AA0	3VA5320-6EF31-0AA0	3VA5320-7EF31-0AA0
225	3VA5322-5EF31-0AA0	3VA5322-6EF31-0AA0	3VA5322-7EF31-0AA0
250	3VA5325-5EF31-0AA0	3VA5325-6EF31-0AA0	3VA5325-7EF31-0AA0
300	3VA5330-5EF31-0AA0	3VA5330-6EF31-0AA0	3VA5330-7EF31-0AA0
350	3VA5335-5EF31-0AA0	3VA5335-6EF31-0AA0	3VA5335-7EF31-0AA0
400	3VA5340-5EF31-0AA0	3VA5340-6EF31-0AA0	3VA5340-7EF31-0AA0



3VA53 400A 3-Pole

### Ordering Information

The catalog numbers listed here are for complete, non-interchangeable trip circuit breakers without lugs.

Order required lugs or connection technology separately for field installation.

All 3VA53 thermal-magnetic trip circuit breakers are CSA approved and UL listed for reverse feed applications.

For NAVAL rated thermal-magnetic trip circuit breakers, change the 13th digit of the catalog number to the number "1". (For example, a 18kA @600VAC, 400A, 3-pole, rated 3VA53 would be catalog number 3VA5340-5EC31-1AA0)

### Dimensions

### Shipping Weight

Breaker	Poles	W in. (mm)	H in. (mm)	D in. (mm)	lbs.	kg
3VA53	3	6.4 (162)	10.3 (262)	6.7 (170)	11.5	5.2
3VA53	4	8.2 (208)	10.3 (262)	6.7 (170)	15.0	6.8

### Interrupting Ratings for 3VA53

Interrupting Class	Breaker Type	RMS Symmetrical Amperes (kA)									
		Volts AC (50/60 Hz)					Volts DC				
		240	480Y/ 277V	480	600Y/ 347V	600	250 (2P)	600 (3P)	750 (3P)	750 (4P)	1000 (4P)
M	MJAS	65	35	35	18	18	50	50	6	50	6
H	HJAS	100	65	65	25	25	85	85	6	85	6
C	CJAS	200	100	100	35	35	100	100	10	100	10

Ⓞ Available with NAVAL/50C ratings.

# Molded Case Circuit Breakers

## 3VA53 400A Thermal-magnetic Trip Circuit Breakers

Selection

3VA53 400A Frame, 4-Pole Frame,  
Thermal-Magnetic Trip Unit

Cont. Ampere Rating	M-Interrupting Class (MJAS)	H-Interrupting Class (HJAS)	C-Interrupting Class (CJAS)
	Catalog Number	Catalog Number	Catalog Number

TM230 FTAM Unprotected Neutral

200	3VA5320-5EC41-0AA0	3VA5320-6EC41-0AA0	3VA5320-7EC41-0AA0
225	3VA5322-5EC41-0AA0	3VA5322-6EC41-0AA0	3VA5322-7EC41-0AA0
250	3VA5325-5EC41-0AA0	3VA5325-6EC41-0AA0	3VA5325-7EC41-0AA0
300	3VA5330-5EC41-0AA0	3VA5330-6EC41-0AA0	3VA5330-7EC41-0AA0
350	3VA5335-5EC41-0AA0	3VA5335-6EC41-0AA0	3VA5335-7EC41-0AA0
400	3VA5340-5EC41-0AA0	3VA5340-6EC41-0AA0	3VA5340-7EC41-0AA0

TM240 ATAM Unprotected Neutral

200	3VA5320-5EF41-0AA0	3VA5320-6EF41-0AA0	3VA5320-7EF41-0AA0
225	3VA5322-5EF41-0AA0	3VA5322-6EF41-0AA0	3VA5322-7EF41-0AA0
250	3VA5325-5EF41-0AA0	3VA5325-6EF41-0AA0	3VA5325-7EF41-0AA0
300	3VA5330-5EF41-0AA0	3VA5330-6EF41-0AA0	3VA5330-7EF41-0AA0
350	3VA5335-5EF41-0AA0	3VA5335-6EF41-0AA0	3VA5335-7EF41-0AA0
400	3VA5340-5EF41-0AA0	3VA5340-6EF41-0AA0	3VA5340-7EF41-0AA0

TM230 FTAM 100% Neutral

200	3VA5320-5GC41-0AA0	3VA5320-6GC41-0AA0	3VA5320-7GC41-0AA0
225	3VA5322-5GC41-0AA0	3VA5322-6GC41-0AA0	3VA5322-7GC41-0AA0
250	3VA5325-5GC41-0AA0	3VA5325-6GC41-0AA0	3VA5325-7GC41-0AA0
300	3VA5330-5GC41-0AA0	3VA5330-6GC41-0AA0	3VA5330-7GC41-0AA0
350	3VA5335-5GC41-0AA0	3VA5335-6GC41-0AA0	3VA5335-7GC41-0AA0
400	3VA5340-5GC41-0AA0	3VA5340-6GC41-0AA0	3VA5340-7GC41-0AA0

TM240 ATAM 100% Neutral

200	3VA5320-5GF41-0AA0	3VA5320-6GF41-0AA0	3VA5320-7GF41-0AA0
225	3VA5322-5GF41-0AA0	3VA5322-6GF41-0AA0	3VA5322-7GF41-0AA0
250	3VA5325-5GF41-0AA0	3VA5325-6GF41-0AA0	3VA5325-7GF41-0AA0
300	3VA5330-5GF41-0AA0	3VA5330-6GF41-0AA0	3VA5330-7GF41-0AA0
350	3VA5335-5GF41-0AA0	3VA5335-6GF41-0AA0	3VA5335-7GF41-0AA0
400	3VA5340-5GF41-0AA0	3VA5340-6GF41-0AA0	3VA5340-7GF41-0AA0

### Dimensions

Breaker	Poles	W in. (mm)	H in. (mm)	D in. (mm)	lbs.	kg
3VA53	3	6.4 (162)	10.3 (262)	6.7 (170)	11.5	5.2
3VA53	4	8.2 (208)	10.3 (262)	6.7 (170)	15.0	6.8

### Shipping Weight

### Interrupting Ratings for 3VA53

Interrupting Class	Breaker Type	RMS Symmetrical Amperes (kA)							
		Volts AC (50/60 Hz)			Volts DC				
		240	480Y/277V	480	600Y/347V	600	250	500	600 (3P)
M	MJAS	65	35	35	18	18	50	50	50
H	HJAS	100	65	65	25	25	85	85	85
C	CJAS	200	100	100	35	35	100	100	100



3VA53 400A 4-Pole

Internal accessories	Slot No.:
Optional equipment	
Auxiliary switch	Type
Auxiliary switch	AUX_HQ
	AUX_HQ_el
	AUX_HP
Leading changeover switch	LCS_HQ
	LCS_HQ_el
	LCS_HP
Auxiliary switch	Type
Trip alarm switch	TAS_HQ
	TAS_HQ_el
	TAS_HP
Auxiliary switch	Type
Shunt trip flexible	STF
Shunt trip left	STL
Undervoltage release	UVR
Universal release	UVI
Other	
Cylinder lock (type Ronis)	

3VA5 400/600 A 3 & 4-pole																					
25	24	23	22	21	600 A		11	12	13	14	15										
x	x	x	x	x			x	x	x	x	x										
x	x	x	x	x			x	x	x	x	x										
		x	x						x	x											
x	x								x												
				x	x				x	x											
				x	x				x	x											
				x					x												
				x					x												
				x																	
				x																	



# Molded Case Circuit Breakers

## 3VA63 400A Electronic Trip Circuit Breakers

*Selection*



**3VA63 400A 3-Pole**

### Ordering Information

The catalog numbers listed below are for complete, non-interchangeable trip circuit breakers without lugs.

Order required lugs or connection technology separately for field installation.

All 3VA63 electronic trip circuit breakers are CSA approved and UL listed for reverse feed applications.

3VA63 electronic trip circuit breakers are available with 100% ratings (250A only).

For 100% rated electronic trip circuit breakers, change the 13th digit of the catalog number to the number "2". (For example, a 18kA @600VAC, 250A, 3-pole, 100% rated 3VA63 would be catalog number 3VA6325-5HL31-2AA0) Requires the use of copper lugs — see lug table below.

All 3VA6 circuit breakers are certified to CSA C22.2 No 5, and UL 489 Supplement SB, are marked "Naval", and are suitable for use at 50C.

### 3VA63 400A Frame 3-Pole Electronic Trip Unit

Continuous Ampere	M-Interrupting Class (MJAE)	H-Interrupting Class (HJAE)	C-Interrupting Class (CJAE)	L-Interrupting Class (LJAE)	E-Interrupting Class (EJAE)
	Catalog Number	Catalog Number	Catalog Number	Catalog Number	Catalog Number
ETU320 LI with dials					
250	3VA6325-5HL31-0AA0	3VA6325-6HL31-0AA0	3VA6325-7HL31-0AA0	3VA6325-8HL31-0AA0	3VA6325-0HL31-0AA0
400	3VA6340-5HL31-0AA0	3VA6340-6HL31-0AA0	3VA6340-7HL31-0AA0	3VA6340-8HL31-0AA0	3VA6340-0HL31-0AA0
ETU330 LIG with dials					
250	3VA6325-5HM31-0AA0	3VA6325-6HM31-0AA0	3VA6325-7HM31-0AA0	3VA6325-8HM31-0AA0	3VA6325-0HM31-0AA0
400	3VA6340-5HM31-0AA0	3VA6340-6HM31-0AA0	3VA6340-7HM31-0AA0	3VA6340-8HM31-0AA0	3VA6340-0HM31-0AA0
ETU350 LSI with dials					
250	3VA6325-5HN31-0AA0	3VA6325-6HN31-0AA0	3VA6325-7HN31-0AA0	3VA6325-8HN31-0AA0	3VA6325-0HN31-0AA0
400	3VA6340-5HN31-0AA0	3VA6340-6HN31-0AA0	3VA6340-7HN31-0AA0	3VA6340-8HN31-0AA0	3VA6340-0HN31-0AA0
ETU550 LSI with LCD					
250	3VA6325-5JP31-0AA0	3VA6325-6JP31-0AA0	3VA6325-7JP31-0AA0	3VA6325-8JP31-0AA0	—
400	3VA6340-5JP31-0AA0	3VA6340-6JP31-0AA0	3VA6340-7JP31-0AA0	3VA6340-8JP31-0AA0	—
ETU556 LSI(G Alarm) with LCD					
250	3VA6325-5JT31-0AA0	3VA6325-6JT31-0AA0	3VA6325-7JT31-0AA0	3VA6325-8JT31-0AA0	—
400	3VA6340-5JT31-0AA0	3VA6340-6JT31-0AA0	3VA6340-7JT31-0AA0	3VA6340-8JT31-0AA0	—
ETU560 LSI(G) with LCD					
250	3VA6325-5JQ31-0AA0	3VA6325-6JQ31-0AA0	3VA6325-7JQ31-0AA0	3VA6325-8JQ31-0AA0	—
400	3VA6340-5JQ31-0AA0	3VA6340-6JQ31-0AA0	3VA6340-7JQ31-0AA0	3VA6340-8JQ31-0AA0	—
ETU820 LI with LCD and Metering					
250	3VA6325-5KL31-0AA0	3VA6325-6KL31-0AA0	3VA6325-7KL31-0AA0	3VA6325-8KL31-0AA0	—
400	3VA6340-5KL31-0AA0	3VA6340-6KL31-0AA0	3VA6340-7KL31-0AA0	3VA6340-8KL31-0AA0	—
ETU830 LIG with LCD and Metering					
250	3VA6325-5KM31-0AA0	3VA6325-6KM31-0AA0	3VA6325-7KM31-0AA0	3VA6325-8KM31-0AA0	—
400	3VA6340-5KM31-0AA0	3VA6340-6KM31-0AA0	3VA6340-7KM31-0AA0	3VA6340-8KM31-0AA0	—
ETU850 LSI with LCD and Metering					
250	3VA6325-5KP31-0AA0	3VA6325-6KP31-0AA0	3VA6325-7KP31-0AA0	3VA6325-8KP31-0AA0	—
400	3VA6340-5KP31-0AA0	3VA6340-6KP31-0AA0	3VA6340-7KP31-0AA0	3VA6340-8KP31-0AA0	—
ETU856 LSI(G Alarm) with LCD and Metering					
250	3VA6325-5KT31-0AA0	3VA6325-6KT31-0AA0	3VA6325-7KT31-0AA0	3VA6325-8KT31-0AA0	3VA6325-0KT31-0AA0
400	3VA6340-5KT31-0AA0	3VA6340-6KT31-0AA0	3VA6340-7KT31-0AA0	3VA6340-8KT31-0AA0	3VA6340-0KT31-0AA0
ETU860 LSI(G) with LCD and Metering					
250	3VA6325-5KQ31-0AA0	3VA6325-6KQ31-0AA0	3VA6325-7KQ31-0AA0	3VA6325-8KQ31-0AA0	3VA6325-0KQ31-0AA0
400	3VA6340-5KQ31-0AA0	3VA6340-6KQ31-0AA0	3VA6340-7KQ31-0AA0	3VA6340-8KQ31-0AA0	3VA6340-0KQ31-0AA0

# Molded Case Circuit Breakers

## 3VA63 400A Electronic Trip Circuit Breakers

*Selection*



**3VA63 400A 4-Pole**

### Ordering Information

The catalog numbers listed below are for complete, non-interchangeable trip circuit breakers without lugs.

Order required lugs or connection technology separately for field installation.

All 3VA63 electronic trip circuit breakers are CSA approved and UL listed for reverse feed applications.

3VA63 electronic trip circuit breakers are available with 100% ratings (250A only).

For 100% rated electronic trip circuit breakers, change the 13th digit of the catalog number to the number "2". (For example, a 18kA @600VAC, 250A, 3-pole, 100% rated 3VA63 would be catalog number 3VA6325-5HL31-2AA0) Requires the use of copper lugs — see lug table below.

All 3VA6 circuit breakers are certified to CSA C22.2 No 5, and UL 489 Supplement SB, are marked "Naval", and are suitable for use at 50C.

### 3VA63 400A Frame 4-Pole Electronic Trip Unit

Continuous Ampere	M-Interrupting Class (MJAE)	H-Interrupting Class (HJAE)	C-Interrupting Class (CJAE)	L-Interrupting Class (LJAE)	E-Interrupting Class (EJAE)
	Catalog Number	Catalog Number	Catalog Number	Catalog Number	Catalog Number
ETU320 LI with dials					
250	3VA6325-5HL41-0AA0	3VA6325-6HL41-0AA0	3VA6325-7HL41-0AA0	3VA6325-8HL41-0AA0	3VA6325-0HL31-0AA0
400	3VA6340-5HL41-0AA0	3VA6340-6HL41-0AA0	3VA6340-7HL41-0AA0	3VA6340-8HL41-0AA0	3VA6340-0HL31-0AA0
ETU330 LIG with dials					
250	3VA6325-5HM41-0AA0	3VA6325-6HM41-0AA0	3VA6325-7HM41-0AA0	3VA6325-8HM41-0AA0	3VA6325-0HM31-0AA0
400	3VA6340-5HM41-0AA0	3VA6340-6HM41-0AA0	3VA6340-7HM41-0AA0	3VA6340-8HM41-0AA0	3VA6340-0HM31-0AA0
ETU350 LSI with dials					
250	3VA6325-5HN41-0AA0	3VA6325-6HN41-0AA0	3VA6325-7HN41-0AA0	3VA6325-8HN41-0AA0	3VA6325-0HN31-0AA0
400	3VA6340-5HN41-0AA0	3VA6340-6HN41-0AA0	3VA6340-7HN41-0AA0	3VA6340-8HN41-0AA0	3VA6340-0HN31-0AA0
ETU550 LSI with LCD					
250	3VA6325-5JP41-0AA0	3VA6325-6JP41-0AA0	3VA6325-7JP41-0AA0	3VA6325-8JP41-0AA0	—
400	3VA6340-5JP41-0AA0	3VA6340-6JP41-0AA0	3VA6340-7JP41-0AA0	3VA6340-8JP41-0AA0	—
ETU556 LSI(G Alarm) with LCD					
250	3VA6325-5JT41-0AA0	3VA6325-6JT41-0AA0	3VA6325-7JT41-0AA0	3VA6325-8JT41-0AA0	—
400	3VA6340-5JT41-0AA0	3VA6340-6JT41-0AA0	3VA6340-7JT41-0AA0	3VA6340-8JT41-0AA0	—
ETU560 LSI(G) with LCD					
250	3VA6325-5JQ41-0AA0	3VA6325-6JQ41-0AA0	3VA6325-7JQ41-0AA0	3VA6325-8JQ41-0AA0	—
400	3VA6340-5JQ41-0AA0	3VA6340-6JQ41-0AA0	3VA6340-7JQ41-0AA0	3VA6340-8JQ41-0AA0	—
ETU820 LI with LCD and Metering					
250	3VA6325-5KL41-0AA0	3VA6325-6KL41-0AA0	3VA6325-7KL41-0AA0	3VA6325-8KL41-0AA0	—
400	3VA6340-5KL41-0AA0	3VA6340-6KL41-0AA0	3VA6340-7KL41-0AA0	3VA6340-8KL41-0AA0	—
ETU830 LIG with LCD and Metering					
250	3VA6325-5KM41-0AA0	3VA6325-6KM41-0AA0	3VA6325-7KM41-0AA0	3VA6325-8KM41-0AA0	—
400	3VA6340-5KM41-0AA0	3VA6340-6KM41-0AA0	3VA6340-7KM41-0AA0	3VA6340-8KM41-0AA0	—
ETU850 LSI with LCD and Metering					
250	3VA6325-5KP41-0AA0	3VA6325-6KP41-0AA0	3VA6325-7KP41-0AA0	3VA6325-8KP41-0AA0	—
400	3VA6340-5KP41-0AA0	3VA6340-6KP41-0AA0	3VA6340-7KP41-0AA0	3VA6340-8KP41-0AA0	—
ETU856 LSI(G Alarm) with LCD and Metering					
250	3VA6325-5KT41-0AA0	3VA6325-6KT41-0AA0	3VA6325-7KT41-0AA0	3VA6325-8KT41-0AA0	3VA6325-0KT31-0AA0
400	3VA6340-5KT41-0AA0	3VA6340-6KT41-0AA0	3VA6340-7KT41-0AA0	3VA6340-8KT41-0AA0	3VA6340-0KT31-0AA0
ETU860 LSI(G) with LCD and Metering					
250	3VA6325-5KQ41-0AA0	3VA6325-6KQ41-0AA0	3VA6325-7KQ41-0AA0	3VA6325-8KQ41-0AA0	3VA6325-0KQ31-0AA0
400	3VA6340-5KQ41-0AA0	3VA6340-6KQ41-0AA0	3VA6340-7KQ41-0AA0	3VA6340-8KQ41-0AA0	3VA6340-0KQ31-0AA0

# Molded Case Circuit Breakers

## 3VA63 400A Electronic Trip Circuit Breakers

*Technical information*

Connectors for 75C wire for 3VA63

Type	Minimum cable size	Maximum cable size	Part Number (kit of 3 lugs)	Part Number (kit of 4 lugs)
Steel wrap around (Cu cable only) single cable lugs	1/0	500 kcmil	3VA9473-0JA13	3VA9474-0JA13
Aluminum body lug (Cu/Al cable) single cable lugs	AWG 1	600 kcmil	3VA9373-0JB13	3VA9374-0JB13
Aluminum body lug with control wire tap (Cu/Al cable) single cable lugs	AWG 1	600 kcmil	3VA9373-0JG13	3VA9374-0JG13
Aluminum body lug, 2 cables (Cu/Al cable) with 1 extended terminal cover	2/0	600 kcmil	3VA9473-0JJ23	3VA9474-0JJ23
Aluminum body lug, 2 cables (Cu/Al cable) with control wire tap and 1 extended terminal cover	2/0	600 kcmil	3VA9473-0JC23	3VA9474-0JC23
Distribution lug, 6 Cables (Cu/Al cable) with 1 extended terminal cover	AWG 14	AWG 2	3VA9373-0JF60	3VA9374-0JF60
Copper body lug (Cu cable only) single cable lugs (meets requirements for 100% rated breakers)	AWG 1	600 kcmil	3VA9373-0JD13	3VA9374-0JD13
Copper body lug (Cu cable only) with control wire tap single cable lugs	AWG 1	600 kcmil	3VA9373-0JK13	3VA9374-0JK13
Copper body lug, 2 cables (Cu cable only) with 1 extended terminal cover (meets requirements for 100% rated breakers)	2/0	600 kcmil	3VA9473-0JE23	3VA9474-0JE23
Copper body lug, 2 cables (Cu cable only) with control wire tap and 1 extended terminal cover	2/0	600 kcmil	3VA9473-0JL23	3VA9474-0JL23

Interrupting Ratings for 3VA63

Interrupting Class	Breaker Type	RMS Symmetrical Amperes (kA)				
		Volts AC (50/60 Hz)				
		240	480Y/277V	480	600Y/347V	600
M	MJAE	100	35	35	18	18
H	HJAE	100	65	65	22	22
C	CJAE	200	100	100	35	35
L	LJAE	200	150	150	50	50
E	EJAE	—	200	200	100	100

Dimensions

Shipping Weight

Breaker	Poles	W in. (mm)	H in. (mm)	D in. (mm)	lbs.	kg
3VA63	3	5.4 (138)	9.7 (248)	4.3 (110)	9.9	4.5
3VA63	4	7.2 (184)	9.7 (248)	4.3 (110)	15.2	6.9

# Molded Case Circuit Breakers

## 3VA63 400A Electronic Trip Circuit Breakers

Technical information

### Trip Settings for 3VA63

ETU320-LI, ETU330-LIG, ETU350-LSI

Continuous Amperage	LI, LIG, LSI			LSI		LIG	LI, LIG, LSI 4P only
$I_n$ (Amp)	$I_n$ (Amp) (L)	$t_{sd}$ (sec) (L)	$I_n$ (Amp) (I)Ⓣ	$I_{sd}=xI_n$ (Amp) (S)	$t_{sd}$ (sec) (S)	$I_n$ (Amp) (G)	$I_n=xI_n$ (Amp)
250	100 - 250	0.5 - 17	375-3000	1.5 - 10	0.08 - 0.4	50 - 250	0.5 - 1 / OFF
400	150 - 400	0.5 - 17	600-4000	1.5 - 10		80 - 400	0.5 - 1 / OFF

Ⓣ  $I_n$  for ETU350 is fixed at 12X  $I_n$

ETU550-LSI, ETU556 LSI(A), ETU560-LSIG, ETU820-LI, ETU830-LIG, ETU850-LSI, ETU856 LSI(A), ETU860-LSIG

Continuous Amperage	LI, LIG, LSI, LSIG, LSI(G)			LSI, LSIG, LSI(G)		LIG, LSIG, LSI(G)		LSI 3P with External CT	LI, LIG, LSI, LSIG, LSI(G) 4P only
$I_n$ (Amp)	$I_n$ (Amp) (L)	$t_{sd}$ (sec) (L)	$I_n$ (Amp) (I)	$I_{sd}$ (Amp) (S)	$t_{sd}$ (sec) (S)	$I_n$ (Amp) (G)	$t_n$ (G)	$I_n=xI_n$ (Amp)	$I_n$ (Amp)
250	100 - 250	0.5 - 25	375-3000	150 - 2500	0.05 - 0.5	50 - 250	0.05 - 0.8	50 - 400 / OFF	50 - 400 / OFF
400	150 - 400	0.5 - 17	600-4000	240 - 4000		80 - 400		80 - 640 / OFF	80 - 400 / OFF

For specific trip settings refer to the Electronic Trip Unit section of the 3VA Systems Manual, which can be found in the document download center at [https://www.siemens.com/download?BTLV\\_50412](https://www.siemens.com/download?BTLV_50412)

# Molded Case Circuit Breakers

## 3VA54 600A Thermal-magnetic Trip Circuit Breakers

*Selection*

3VA54 600A Frame, 2-(3)Pole Frame,  
Thermal-Magnetic Trip Unit

Cont. Ampere Rating	M-Interrupting Class (MLAS)	H-Interrupting Class (HLAS)	C-Interrupting Class (CLAS)
	Catalog Number	Catalog Number	Catalog Number
TM230 FTAM			
450	—	3VA5445-6EC61-0AA0	3VA5445-7EC61-0AA0
500	3VA5450-5EC61-0AA0	3VA5450-6EC61-0AA0	3VA5450-7EC61-0AA0
600	3VA5460-5EC61-0AA0	3VA5460-6EC61-0AA0	3VA5460-7EC61-0AA0

3VA54 600A Frame, 3-Pole Frame,  
Thermal-Magnetic Trip Unit

Cont. Ampere Rating	M-Interrupting Class (MLAS)	H-Interrupting Class (HLAS)	C-Interrupting Class (CLAS)
	Catalog Number	Catalog Number	Catalog Number
TM230 FTAM <sup>Ⓞ</sup>			
450	3VA5445-5EC31-0AA0	3VA5445-6EC31-0AA0	3VA5445-7EC31-0AA0
500	3VA5450-5EC31-0AA0	3VA5450-6EC31-0AA0	3VA5450-7EC31-0AA0
600	3VA5460-5EC31-0AA0	3VA5460-6EC31-0AA0	3VA5460-7EC31-0AA0
TM240 ATAM			
450	3VA5445-5EF31-0AA0	3VA5445-6EF31-0AA0	3VA5445-7EF31-0AA0
500	3VA5450-5EF31-0AA0	3VA5450-6EF31-0AA0	3VA5450-7EF31-0AA0
600	3VA5460-5EF31-0AA0	3VA5460-6EF31-0AA0	3VA5460-7EF31-0AA0

3VA54 600A Frame, 4-Pole Frame,  
Thermal-Magnetic Trip Unit

Cont. Ampere Rating	M-Interrupting Class (MLAS)	H-Interrupting Class (HLAS)	C-Interrupting Class (CLAS)
	Catalog Number	Catalog Number	Catalog Number
TM230 FTAM Unprotected Neutral			
450	3VA5445-5EC41-0AA0	3VA5445-6EC41-0AA0	3VA5445-7EC41-0AA0
500	3VA5450-5EC41-0AA0	3VA5450-6EC41-0AA0	3VA5450-7EC41-0AA0
600	3VA5460-5EC41-0AA0	3VA5460-6EC41-0AA0	3VA5460-7EC41-0AA0
TM240 ATAM Unprotected Neutral			
450	3VA5445-5EF41-0AA0	3VA5445-6EF41-0AA0	3VA5445-7EF41-0AA0
500	3VA5450-5EF41-0AA0	3VA5450-6EF41-0AA0	3VA5450-7EF41-0AA0
600	3VA5460-5EF41-0AA0	3VA5460-6EF41-0AA0	3VA5460-7EF41-0AA0
TM230 FTFM 100% Neutral			
450	3VA5445-5GC41-0AA0	3VA5445-6GC41-0AA0	3VA5445-7GC41-0AA0
500	3VA5450-5GC41-0AA0	3VA5450-6GC41-0AA0	3VA5450-7GC41-0AA0
600	3VA5460-5GC41-0AA0	3VA5460-6GC41-0AA0	3VA5460-7GC41-0AA0
TM240 ATAM 100% Neutral			
450	3VA5445-5GF41-0AA0	3VA5445-6GF41-0AA0	3VA5445-7GF41-0AA0
500	3VA5450-5GF41-0AA0	3VA5450-6GF41-0AA0	3VA5450-7GF41-0AA0
600	3VA5460-5GF41-0AA0	3VA5460-6GF41-0AA0	3VA5460-7GF41-0AA0



3VA54 600A 3-Pole



3VA54 600A 3-Pole

### Ordering Information

The catalog numbers listed here are for complete, non-interchangeable trip circuit breakers without lugs.

Order required lugs or connection technology separately for field installation.

All 3VA54 thermal-magnetic trip circuit breakers are CSA approved and UL listed for reverse feed applications.

For NAVAL rated thermal-magnetic trip circuit breakers, change the 13th digit of the catalog number to the number "1". (For example, a 18kA @600VAC, 600A, 3-pole, rated 3VA54 would be catalog number 3VA5460-5EC31-1AA0)

<sup>Ⓞ</sup> Available with NAVAL/50C ratings.

# Molded Case Circuit Breakers

## 3VA54 600A Thermal-magnetic Trip Circuit Breakers

*Selection*

Dimensions

Shipping Weight

Breaker	Poles	W in. (mm)	H in. (mm)	D in. (mm)	lbs.	kg
3VA54	3	6.4 (162)	10.3 (262)	6.7 (170)	11.5	5.2
3VA54	4	8.2 (208)	10.3 (262)	6.7 (170)	15.0	6.8

Interrupting Ratings for 3VA54

Interrupting Class	Breaker Type	RMS Symmetrical Amperes (kA)									
		Volts AC (50/60 Hz)					Volts DC				
		240	480Y/ 277V	480	600Y/ 347V	600	250 (2P)	600 (3P)	750 (3P)	750 (4P)	1000 (4P)
M	MLAS	65	35	35	20	20	50	50	6	50	6
H	HLAS	100	65	65	25	25	85	85	6	85	6
C	CLAS	200	100	100	35	35	100	100	10	100	10

Internal accessories Optional equipment		3VA5 400/600 A 3 & 4-pole											
Slot No.:		25	24	23	22	21	600 A	11	12	13	14	15	
<b>Auxiliary switch</b>	<b>Type</b>												
Auxiliary switch	AUX_HQ	x	x	x	x	x		x	x	x	x	x	
	AUX_HQ_el	x	x	x	x	x		x	x	x	x	x	
	AUX_HP	x	x	x	x			x	x	x			
Leading changeover switch	LCS_HQ							x					
	LCS_HQ_el							x					
	LCS_HP							x					
<b>Auxiliary switch</b>	<b>Type</b>												
Trip alarm switch	TAS_HQ				x	x		x	x				
	TAS_HQ_el				x	x		x	x				
	TAS_HP				x			x					
<b>Auxiliary switch</b>	<b>Type</b>												
Shunt trip flexible	STF				x			x					
Shunt trip left	STL				x								
Undervoltage release	UVR				x								
Universal release	UVI				x								
<b>Other</b>													
Cylinder lock (type Ronis)								x					



# Molded Case Circuit Breakers

## 3VA64 600A Thermal-magnetic Trip Circuit Breakers

*Selection*



**3VA64 600A 3-Pole**

### Ordering Information

The catalog numbers listed below are for complete, non-interchangeable trip circuit breakers without lugs.

Order required lugs or connection technology separately for field installation.

All 3VA64 electronic trip circuit breakers are CSA approved and UL listed for reverse feed applications.

3VA64 electronic trip circuit breakers are available with 100% ratings (400A only).

For 100% rated electronic trip circuit breakers, change the 13th digit of the catalog number to the number "2". (For example, a 18kA @600VAC, 400A, 3-pole, 100% rated 3VA64 would be catalog number 3VA6440-5HL31-2AA0)

Requires the use of copper lugs — see lug table below.

All 3VA6 circuit breakers are certified to CSA C22.2 No 5, and UL 489 Supplement SB, are marked "Naval", and are suitable for use at 50C.

### 3VA64 600A Frame 3-Pole Electronic Trip Unit

Continuous Ampere	M-Interrupting Class (MLAE)	H-Interrupting Class (HLAE)	C-Interrupting Class (CLAE)	L-Interrupting Class (LLAE)	E-Interrupting Class (ELAE)
	Catalog Number	Catalog Number	Catalog Number	Catalog Number	Catalog Number
ETU320 LI with dials					
400	3VA6440-5HL31-0AA0	3VA6440-6HL31-0AA0	3VA6440-7HL31-0AA0	3VA6440-8HL31-0AA0	—
600	3VA6460-5HL31-0AA0	3VA6460-6HL31-0AA0	3VA6460-7HL31-0AA0	3VA6460-8HL31-0AA0	3VA6460-0HL31-0AA0
ETU330 LIG with dials					
400	3VA6440-5HM31-0AA0	3VA6440-6HM31-0AA0	3VA6440-7HM31-0AA0	3VA6440-8HM31-0AA0	—
600	3VA6460-5HM31-0AA0	3VA6460-6HM31-0AA0	3VA6460-7HM31-0AA0	3VA6460-8HM31-0AA0	3VA6460-0HM31-0AA0
ETU350 LSI with dials					
400	3VA6440-5HN31-0AA0	3VA6440-6HN31-0AA0	3VA6440-7HN31-0AA0	3VA6440-8HN31-0AA0	—
600	3VA6460-5HN31-0AA0	3VA6460-6HN31-0AA0	3VA6460-7HN31-0AA0	3VA6460-8HN31-0AA0	3VA6460-0HN31-0AA0
ETU550 LSI with LCD					
400	3VA6440-5JP31-0AA0	3VA6440-6JP31-0AA0	3VA6440-7JP31-0AA0	3VA6440-8JP31-0AA0	—
600	3VA6460-5JP31-0AA0	3VA6460-6JP31-0AA0	3VA6460-7JP31-0AA0	3VA6460-8JP31-0AA0	—
ETU556 LSI(G Alarm) with LCD					
400	3VA6440-5JT31-0AA0	3VA6440-6JT31-0AA0	3VA6440-7JT31-0AA0	3VA6440-8JT31-0AA0	—
600	3VA6460-5JT31-0AA0	3VA6460-6JT31-0AA0	3VA6460-7JT31-0AA0	3VA6460-8JT31-0AA0	—
ETU560 LSI(G) with LCD					
400	3VA6440-5JQ31-0AA0	3VA6440-6JQ31-0AA0	3VA6440-7JQ31-0AA0	3VA6440-8JQ31-0AA0	—
600	3VA6460-5JQ31-0AA0	3VA6460-6JQ31-0AA0	3VA6460-7JQ31-0AA0	3VA6460-8JQ31-0AA0	—
ETU820 LI with LCD and Metering					
400	3VA6440-5KL31-0AA0	3VA6440-6KL31-0AA0	3VA6440-7KL31-0AA0	3VA6440-8KL31-0AA0	—
600	3VA6460-5KL31-0AA0	3VA6460-6KL31-0AA0	3VA6460-7KL31-0AA0	3VA6460-8KL31-0AA0	—
ETU830 LIG with LCD and Metering					
400	3VA6440-5KM31-0AA0	3VA6440-6KM31-0AA0	3VA6440-7KM31-0AA0	3VA6440-8KM31-0AA0	—
600	3VA6460-5KM31-0AA0	3VA6460-6KM31-0AA0	3VA6460-7KM31-0AA0	3VA6460-8KM31-0AA0	—
ETU850 LSI with LCD and Metering					
400	3VA6440-5KP31-0AA0	3VA6440-6KP31-0AA0	3VA6440-7KP31-0AA0	3VA6440-8KP31-0AA0	—
600	3VA6460-5KP31-0AA0	3VA6460-6KP31-0AA0	3VA6460-7KP31-0AA0	3VA6460-8KP31-0AA0	—
ETU856 LSI(G Alarm) with LCD and Metering					
400	3VA6440-5KT31-0AA0	3VA6440-6KT31-0AA0	3VA6440-7KT31-0AA0	3VA6440-8KT31-0AA0	—
600	3VA6460-5KT31-0AA0	3VA6460-6KT31-0AA0	3VA6460-7KT31-0AA0	3VA6460-8KT31-0AA0	3VA6460-0KT31-0AA0
ETU860 LSI(G) with LCD and Metering					
400	3VA6440-5KQ31-0AA0	3VA6440-6KQ31-0AA0	3VA6440-7KQ31-0AA0	3VA6440-8KQ31-0AA0	—
600	3VA6460-5KQ31-0AA0	3VA6460-6KQ31-0AA0	3VA6460-7KQ31-0AA0	3VA6460-8KQ31-0AA0	3VA6460-0KQ31-0AA0

# Molded Case Circuit Breakers

## 3VA64 600A Electronic Trip Circuit Breakers

*Selection*



**3VA64 600A 4-Pole**

### Ordering Information

The catalog numbers listed below are for complete, non-interchangeable trip circuit breakers without lugs.

Order required lugs or connection technology separately for field installation.

All 3VA64 electronic trip circuit breakers are CSA approved and UL listed for reverse feed applications.

3VA64 electronic trip circuit breakers are available with 100% ratings (400A only).

For 100% rated electronic trip circuit breakers, change the 13th digit of the catalog number to the number "2". (For example, a 18kA @600VAC, 400A, 3-pole, 100% rated 3VA64 would be catalog number 3VA6440-5HL31-2AA0) Requires the use of copper lugs — see lug table below.

All 3VA6 circuit breakers are certified to CSA C22.2 No 5, and UL 489 Supplement SB, are marked "Naval", and are suitable for use at 50C.

### 3VA64 600A Frame 4-Pole Electronic Trip Unit

Continuous Ampere	M-Interrupting Class (MLAE)	H-Interrupting Class (HLAE)	C-Interrupting Class (CLAE)	L-Interrupting Class (LLAE)	E-Interrupting Class (ELAE)
	Catalog Number	Catalog Number	Catalog Number	Catalog Number	Catalog Number
ETU320 LI with dials					
400	3VA6440-5HL41-0AA0	3VA6440-6HL41-0AA0	3VA6440-7HL41-0AA0	3VA6440-8HL41-0AA0	—
600	3VA6460-5HL41-0AA0	3VA6460-6HL41-0AA0	3VA6460-7HL41-0AA0	3VA6460-8HL41-0AA0	3VA6460-0HL41-0AA0
ETU330 LIG with dials					
400	3VA6440-5HM41-0AA0	3VA6440-6HM41-0AA0	3VA6440-7HM41-0AA0	3VA6440-8HM41-0AA0	—
600	3VA6460-5HM41-0AA0	3VA6460-6HM41-0AA0	3VA6460-7HM41-0AA0	3VA6460-8HM41-0AA0	3VA6460-0HM41-0AA0
ETU350 LSI with dials					
400	3VA6440-5HN41-0AA0	3VA6440-6HN41-0AA0	3VA6440-7HN41-0AA0	3VA6440-8HN41-0AA0	—
600	3VA6460-5HN41-0AA0	3VA6460-6HN41-0AA0	3VA6460-7HN41-0AA0	3VA6460-8HN41-0AA0	3VA6460-0HN41-0AA0
ETU550 LSI with LCD					
400	3VA6440-5JP41-0AA0	3VA6440-6JP41-0AA0	3VA6440-7JP41-0AA0	3VA6440-8JP41-0AA0	—
600	3VA6460-5JP41-0AA0	3VA6460-6JP41-0AA0	3VA6460-7JP41-0AA0	3VA6460-8JP41-0AA0	—
ETU556 LSI(G Alarm) with LCD					
400	3VA6440-5JT41-0AA0	3VA6440-6JT41-0AA0	3VA6440-7JT41-0AA0	3VA6440-8JT41-0AA0	—
600	3VA6460-5JT41-0AA0	3VA6460-6JT41-0AA0	3VA6460-7JT41-0AA0	3VA6460-8JT41-0AA0	—
ETU560 LSI(G) with LCD					
400	3VA6440-5JQ41-0AA0	3VA6440-6JQ41-0AA0	3VA6440-7JQ41-0AA0	3VA6440-8JQ41-0AA0	—
600	3VA6460-5JQ41-0AA0	3VA6460-6JQ41-0AA0	3VA6460-7JQ41-0AA0	3VA6460-8JQ41-0AA0	—
ETU820 LI with LCD and Metering					
400	3VA6440-5KL41-0AA0	3VA6440-6KL41-0AA0	3VA6440-7KL41-0AA0	3VA6440-8KL41-0AA0	—
600	3VA6460-5KL41-0AA0	3VA6460-6KL41-0AA0	3VA6460-7KL41-0AA0	3VA6460-8KL41-0AA0	—
ETU830 LIG with LCD and Metering					
400	3VA6440-5KM41-0AA0	3VA6440-6KM41-0AA0	3VA6440-7KM41-0AA0	3VA6440-8KM41-0AA0	—
600	3VA6460-5KM41-0AA0	3VA6460-6KM41-0AA0	3VA6460-7KM41-0AA0	3VA6460-8KM41-0AA0	—
ETU850 LSI with LCD and Metering					
400	3VA6440-5KP41-0AA0	3VA6440-6KP41-0AA0	3VA6440-7KP41-0AA0	3VA6440-8KP41-0AA0	—
600	3VA6460-5KP41-0AA0	3VA6460-6KP41-0AA0	3VA6460-7KP41-0AA0	3VA6460-8KP41-0AA0	—
ETU856 LSI(G Alarm) with LCD and Metering					
400	3VA6440-5KT41-0AA0	3VA6440-6KT41-0AA0	3VA6440-7KT41-0AA0	3VA6440-8KT41-0AA0	—
600	3VA6460-5KT41-0AA0	3VA6460-6KT41-0AA0	3VA6460-7KT41-0AA0	3VA6460-8KT41-0AA0	3VA6460-0KT41-0AA0
ETU860 LSI(G) with LCD and Metering					
400	3VA6440-5KQ41-0AA0	3VA6440-6KQ41-0AA0	3VA6440-7KQ41-0AA0	3VA6440-8KQ41-0AA0	—
600	3VA6460-5KQ41-0AA0	3VA6460-6KQ41-0AA0	3VA6460-7KQ41-0AA0	3VA6460-8KQ41-0AA0	3VA6460-0KQ41-0AA0

# Molded Case Circuit Breakers

## 3VA64 600A Electronic Trip Circuit Breakers

*Technical information*

Connectors for 75C wire for 3VA64

Type	Minimum cable size	Maximum cable size	Part Number (kit of 3 lugs)	Part Number (kit of 4 lugs)
Steel Wrap around (Cu cable only) single cable lugs	1/0	500 kcmil	3VA9473-0JA13	3VA9474-0JA13
Aluminum Body Lug (Cu/Al cable) single cable lugs	AWG 1	600 kcmil	3VA9373-0JB13	3VA9374-0JB13
Aluminum body lug with control wire tap (Cu/Al cable) single cable lugs	AWG 1	600 kcmil	3VA9373-0JG13	3VA9374-0JG13
Aluminum body lug, 2 cables (Cu/Al cable) with 1 extended terminal cover	2/0	600 kcmil	3VA9473-0JJ23	3VA9474-0JJ23
Aluminum body lug, 2 cables (Cu/Al cable) with control wire tap and 1 extended terminal cover	2/0	600 kcmil	3VA9473-0JC23	3VA9474-0JC23
Distribution lug, 6 Cables (Cu/Al cable) with 1 extended terminal cover	AWG 14	AWG 2	3VA9373-0JF60	3VA9374-0JF60
Copper body lug (Cu cable only) single cable lugs (meets requirements for 100% rated breakers)	AWG 1	600 kcmil	3VA9373-0JD13	3VA9374-0JD13
Copper body lug (Cu cable only) with control wire tap single cable lugs	AWG 1	600 kcmil	3VA9373-0JK13	3VA9374-0JK13
Copper body lug, 2 cables (Cu cable only) with 1 extended terminal cover (meets requirements for 100% rated breakers)	2/0	600 kcmil	3VA9473-0JE23	3VA9474-0JE23
Copper body lug, 2 cables (Cu cable only) with control wire tap and 1 extended terminal cover	2/0	600 kcmil	3VA9473-0JL23	3VA9474-0JL23

Interrupting Ratings for 3VA64

Interrupting Class	Breaker Type	RMS Symmetrical Amperes (kA)				
		Volts AC (50/60 Hz)				
		240	480Y/277V	480	600Y/347V	600
M	MLAE	100	35	35	18	18
H	HLAE	100	65	65	22	22
C	CLAE	200	100	100	35	35
L	LLAE	200	150	150	50	50
E	ELAE	—	200	200	100	100

Dimensions

Shipping Weight

Breaker	Poles	W in. (mm)	H in. (mm)	D in. (mm)	lbs.	kg
3VA64	3	5.4 (138)	9.7 (248)	4.3 (110)	11.7	5.3
3VA64	4	7.2 (184)	9.7 (248)	4.3 (110)	15.2	6.9

# Molded Case Circuit Breakers

## 3VA64 600A Electronic Trip Circuit Breakers

Technical information

### Trip Settings for 3VA64

ETU320-LI, ETU330-LIG, ETU350-LSI

Continuous Amperage	LI, LIG, LSI			LSI		LIG	LI, LIG, LSI 4P only
$I_n$ (Amp)	$I_n$ (Amp) (L)	$t_{tr}$ (sec) (L)	$I_n$ (Amp) (I)①	$I_{tr} = xI_n$ (Amp) (S)	$t_{tr}$ (sec) (S)	$I_n$ (Amp) (G)	$I_n = xI_n$ (Amp)
400	150 - 400	0.5 - 17	600-4800	1.5 - 10	0.08 - 0.4	80 - 400	0.5 - 1 / OFF
600	250 - 600	0.5 - 15	900-5400	1.5 - 9		120 - 600	0.5 - 1 / OFF

①  $I_n$  for ETU350 is fixed at 12X  $I_n$ .

ETU550-LSI, ETU556 LSI(A), ETU560-LSIG, ETU820-LI, ETU830-LIG, ETU850-LSI, ETU856 LSI(A), ETU860-LSIG

Continuous Amperage	LI, LIG, LSI, LSIG, LSI(G)			LSI, LSIG, LSI(G)		LIG, LSIG, LSI(G)		LSI 3P with External CT	LI, LIG, LSI, LSIG, LSI(G) 4P only
$I_n$ (Amp)	$I_n$ (Amp) (L)	$t_{tr}$ (sec) (L)	$I_n$ (Amp) (I)	$I_n$ (Amp) (S)	$t_{tr}$ (sec) (S)	$I_n$ (Amp) (G)	$t_{tr}$ (G)	$I_n = xI_n$ (Amp)	$I_n$ (Amp)
400	150 - 400	0.5 - 25	600-4800	240 - 4000	0.05 - 0.5	80 - 400	0.05 - 0.8	80 - 640 / OFF	80 - 600 / OFF
600	250 - 600	0.5 - 15	900-5400	360 - 5400		120 - 600		120 - 960 / OFF	120 - 600 / OFF

For specific trip settings refer to the Electronic Trip Unit section of the 3VA Systems Manual, which can be found in the document download center at [https://www.siemens.com/download?BTLV\\_50412](https://www.siemens.com/download?BTLV_50412)

Internal accessories Optional equipment	3VA6 400/600 A 3-pole											3VA6 400/600 A 4-pole																
	Slot No.:	25	24	23	22	21	600 A	11	12	13	14	15	35	34	33	32	31	25	24	23	22	21	600 A	11	12	13	14	15
<b>Auxiliary switch</b>	Type																											
Auxiliary switch	AUX_HQ	x	x	x	x	x		x	x	x	x	x	x	x	x	x	x	x	x	x	x	x		x	x	x	x	x
	AUX_HQ_el	x	x	x	x	x		x	x	x	x	x	x	x	x	x	x	x	x	x	x	x		x	x	x	x	x
	AUX_HP							x	x	x	x														x	x	x	
Leading changeover switch	LCS_HQ							x																	x			
	LCS_HQ_el							x																	x			
	LCS_HP											x													x			
<b>Auxiliary switch</b>	Type																											
Trip alarm switch	TAS_HQ				x	x		x	x																x	x		
	TAS_HQ_el				x	x		x	x																x	x		
	TAS_HP					x																				x		
Electrical alarm switch	EAS_HQ											x																x
	EAS_HQ_el											x																x
<b>Auxiliary switch</b>	Type																											
Shunt trip flexible	STF				x						x														x			
Shunt trip left	STL				x																							
Undervoltage release	UVR				x																							
Universal release	UVI				x																							
<b>ETU/communication</b>	Type																											
Communication module	COM060											x																x
Breaker data server												x																x
24 V module																												
<b>Other</b>																												
Cylinder lock (type Ronis)												x																x

See page 5-72 for internal accessory part numbers.

# Molded Case Circuit Breakers

## 3VA55 800A Electronic Trip Circuit Breakers

*Selection*

3VA55 800A, 2-pole in 3-pole Frame, Thermal-Magnetic Trip Unit

Cont. Ampere Rating	M-Interrupting Class (MMAS)	H-Interrupting Class (HMAS)	C-Interrupting Class (CMAS)
	Catalog Number	Catalog Number	Catalog Number
TM230 FTAM			
600	3VA5560-5EC62-0AA0	3VA5560-6EC62-0AA0	3VA5560-7EC62-0AA0
700	3VA5570-5EC62-0AA0	3VA5570-6EC62-0AA0	3VA5570-7EC62-0AA0
800	3VA5580-5EC62-0AA0	3VA5580-6EC62-0AA0	3VA5580-7EC62-0AA0

3VA55 800A, 3-pole Frame, Thermal-Magnetic Trip Unit

Cont. Ampere Rating	M-Interrupting Class (MMAS)	H-Interrupting Class (HMAS)	C-Interrupting Class (CMAS)
	Catalog Number	Catalog Number	Catalog Number
TM230 FTAM			
600	3VA5560-5EC32-0AA0	3VA5560-6EC32-0AA0	3VA5560-7EC32-0AA0
700	3VA5570-5EC32-0AA0	3VA5570-6EC32-0AA0	3VA5570-7EC32-0AA0
800	3VA5580-5EC32-0AA0	3VA5580-6EC32-0AA0	3VA5580-7EC32-0AA0

3VA55 800A, 4-pole Frame, Thermal-Magnetic Trip Unit

Cont. Ampere Rating	M-Interrupting Class (MMAS)	H-Interrupting Class (HMAS)	C-Interrupting Class (CMAS)
	Catalog Number	Catalog Number	Catalog Number
TM230 FTAM Unprotected Neutral			
600	3VA5560-5EC42-0AA0	3VA5560-6EC42-0AA0	3VA5560-7EC42-0AA0
700	3VA5570-5EC42-0AA0	3VA5570-6EC42-0AA0	3VA5570-7EC42-0AA0
800	3VA5580-5EC42-0AA0	3VA5580-6EC42-0AA0	3VA5580-7EC42-0AA0
TM230 FTAM 100% Neutral			
600	3VA5560-5GC42-0AA0	3VA5560-6GC42-0AA0	3VA5560-7GC42-0AA0
700	3VA5570-5GC42-0AA0	3VA5570-6GC42-0AA0	3VA5570-7GC42-0AA0
800	3VA5580-5GC42-0AA0	3VA5580-6GC42-0AA0	3VA5580-7GC42-0AA0

Dimensions

Shipping Weight

Breaker	Poles	W in. (mm)	H in. (mm)	D in. (mm)	lbs.	kg
3VA55	2(3)	8.3 (210)	12.5 (318)	5.8 (147)	29.3	13.3
3VA55	3	8.3 (210)	12.5 (318)	5.8 (147)	29.4	13.4
3VA55	4	11.1 (280)	12.5 (318)	5.8 (147)	37.4	17.0

Interrupting Ratings for 3VA55

Interrupting Class	Breaker Type	RMS Symmetrical Amperes (kA)									
		Volts AC (50/60 Hz)					Volts DC				
		240	480Y/277V	480	600Y/347V	600	250 (2P)	600 (3P)	750 (3P)	750 (4P)	1000 (4P)
M	MMAS	85	35	35	18	18	50	50	50	50	18
H	HMAS	100	65	65	25	25	85	85	85	85	25
C	CMAS	200	100	100	50	50	100	100	100	100	50

Trip Settings for 3VA55

TM230 - FTAM

I <sub>n</sub> (Amp)	I <sub>1</sub> (Amp)	I <sub>2</sub> (Amp)					
600	600	3000	3600	4200	4800	5400	6000
700	700	3500	4200	4900	5600	6300	7000
800	800	4000	4800	5600	6400	7200	8000

TM240 - ATAM

I <sub>n</sub> (Amp)	I <sub>1</sub> (Amp)	I <sub>2</sub> (Amp)					
600	480	3000	3600	4200	4800	5400	6000
700	560	3500	4200	4900	5600	6300	7000
800	640	4000	4800	5600	6400	7200	8000



### Ordering Information

The catalog numbers listed here are for complete, non-interchangeable trip circuit breakers with nut keepers on both line and load ends.

Order required lugs or connection technology separately for field installation.

All 3VA55 thermal-magnetic trip circuit breakers are UL listed for reverse feed applications.

For NAVAL rated (3-pole only) thermal-magnetic trip circuit breakers, change the 13th digit of the catalog number to the number "1". (For example, a 18KA@600V, 600A, 3-pole, rated 3VA55 would be catalog number 3VA5580-5EC32-**1**AA0)

# Molded Case Circuit Breakers

## 3VA65 800A Electronic Trip Circuit Breakers

*Selection*



3VA65 800A 3-Pole

### Ordering Information

The catalog numbers listed below are for complete, non-interchangeable trip circuit breakers with nut keepers on both line and load ends.

Order required lugs or connection technology separately for field installation.

All 3VA65 electronic trip circuit breakers are UL listed for reverse feed applications.

3VA65 electronic trip circuit breakers are available with 100% ratings.

For 100% rated electronic trip circuit breakers, change the 13th digit of the catalog number to the number "2". (For example, a 25KA@600V, 600A, 3-pole, 100% rated 3VA65 would be catalog number 3VA6560-5HL32-2AA0)

All 3VA6 circuit breakers are certified to UL 489 Supplement SB, are marked "Naval", and are suitable for use at 50C.

### 3VA65 800A, 3-pole Frame, Electronic Trip Unit

Continuous Ampere	M-Interrupting Class (MMAE)	H-Interrupting Class (HMAE)	C-Interrupting Class (CMAE)
	Catalog Number	Catalog Number	Catalog Number
ETU320 LI with dials			
600	3VA6560-5HL32-0AA0	3VA6560-6HL32-0AA0	3VA6560-7HL32-0AA0
800	3VA6580-5HL32-0AA0	3VA6580-6HL32-0AA0	3VA6580-7HL32-0AA0
ETU330 LIG with dials			
600	3VA6560-5HM32-0AA0	3VA6560-6HM32-0AA0	3VA6560-7HM32-0AA0
800	3VA6580-5HM32-0AA0	3VA6580-6HM32-0AA0	3VA6580-7HM32-0AA0
ETU350 LSI with dials			
600	3VA6560-5HN32-0AA0	3VA6560-6HN32-0AA0	3VA6560-7HN32-0AA0
800	3VA6580-5HN32-0AA0	3VA6580-6HN32-0AA0	3VA6580-7HN32-0AA0
ETU550 LSI with LCD			
600	3VA6560-5JP32-0AA0	3VA6560-6JP32-0AA0	3VA6560-7JP32-0AA0
800	3VA6580-5JP32-0AA0	3VA6580-6JP32-0AA0	3VA6580-7JP32-0AA0
ETU556 LSI(G Alarm) with LCD			
600	3VA6560-5JT32-0AA0	3VA6560-6JT32-0AA0	3VA6560-7JT32-0AA0
800	3VA6580-5JT32-0AA0	3VA6580-6JT32-0AA0	3VA6580-7JT32-0AA0
ETU560 LSI(G) with LCD			
600	3VA6560-5JQ32-0AA0	3VA6560-6JQ32-0AA0	3VA6560-7JQ32-0AA0
800	3VA6580-5JQ32-0AA0	3VA6580-6JQ32-0AA0	3VA6580-7JQ32-0AA0
ETU820 LI with LCD and Metering			
600	3VA6560-5KL32-0AA0	3VA6560-6KL32-0AA0	3VA6560-7KL32-0AA0
800	3VA6580-5KL32-0AA0	3VA6580-6KL32-0AA0	3VA6580-7KL32-0AA0
ETU856 LSI(G Alarm) with LCD and Metering			
600	3VA6560-5KT32-0AA0	3VA6560-6KT32-0AA0	3VA6560-7KT32-0AA0
800	3VA6580-5KT32-0AA0	3VA6580-6KT32-0AA0	3VA6580-7KT32-0AA0
ETU860 LSI(G) with LCD and Metering			
600	3VA6560-5KQ32-0AA0	3VA6560-6KQ32-0AA0	3VA6560-7KQ32-0AA0
800	3VA6580-5KQ32-0AA0	3VA6580-6KQ32-0AA0	3VA6580-7KQ32-0AA0



# Molded Case Circuit Breakers

## 3VA65 800A Electronic Trip Circuit Breakers

*Selection*



3VA65 800A 4-Pole

### Interrupting Ratings for 3VA65

Interrupting Class	Breaker Type	RMS Symmetrical Amperes (kA)				
		Volts AC (50/60 Hz)				
		240	480Y/277V	480	600Y/347V	600
M	MMAE	100	35	35	25	25
H	HMAE	150	65	65	35	35
C	CMAE	200	100	100	50	50

### Dimensions

### Shipping Weight

Breaker	Poles	W in. (mm)	H in. (mm)	D in. (mm)	lbs.	kg
3VA65	3	8.3 (210)	12.5 (318)	5.8 (147)	29.4	13.4
3VA65	4	11.1 (280)	12.5 (318)	5.8 (147)	37.4	17.0

### 3VA65 800A, 4-pole Frame, Electronic Trip Unit

Continuous Ampere	M-Interrupting Class (MMAE)	H-Interrupting Class (HMAE)	C-Interrupting Class (CMAE)
	Catalog Number	Catalog Number	Catalog Number
ETU320 LI with dials			
600	3VA6560-5HL42-0AA0	3VA6560-6HL42-0AA0	3VA6560-7HL42-0AA0
800	3VA6580-5HL42-0AA0	3VA6580-6HL42-0AA0	3VA6580-7HL42-0AA0
ETU330 LIG with dials			
600	3VA6560-5HM42-0AA0	3VA6560-6HM42-0AA0	3VA6560-7HM42-0AA0
800	3VA6580-5HM42-0AA0	3VA6580-6HM42-0AA0	3VA6580-7HM42-0AA0
ETU350 LSI with dials			
600	3VA6560-5HN42-0AA0	3VA6560-6HN42-0AA0	3VA6560-7HN42-0AA0
800	3VA6580-5HN42-0AA0	3VA6580-6HN42-0AA0	3VA6580-7HN42-0AA0
ETU550 LSI with LCD			
600	3VA6560-5JP42-0AA0	3VA6560-6JP42-0AA0	3VA6560-7JP42-0AA0
800	3VA6580-5JP42-0AA0	3VA6580-6JP42-0AA0	3VA6580-7JP42-0AA0
ETU556 LSI(G Alarm) with LCD			
600	3VA6560-5JT42-0AA0	3VA6560-6JT42-0AA0	3VA6560-7JT42-0AA0
800	3VA6580-5JT42-0AA0	3VA6580-6JT42-0AA0	3VA6580-7JT42-0AA0
ETU560 LSIG with LCD			
600	3VA6560-5JQ42-0AA0	3VA6560-6JQ42-0AA0	3VA6560-7JQ42-0AA0
800	3VA6580-5JQ42-0AA0	3VA6580-6JQ42-0AA0	3VA6580-7JQ42-0AA0
ETU820 LI with LCD and Metering			
600	3VA6560-5KL42-0AA0	3VA6560-6KL42-0AA0	3VA6560-7KL42-0AA0
800	3VA6580-5KL42-0AA0	3VA6580-6KL42-0AA0	3VA6580-7KL42-0AA0
ETU856 LSI(G Alarm) with LCD and Metering			
600	3VA6560-5KT42-0AA0	3VA6560-6KT42-0AA0	3VA6560-7KT42-0AA0
800	3VA6580-5KT42-0AA0	3VA6580-6KT42-0AA0	3VA6580-7KT42-0AA0
ETU860 LSIG with LCD and Metering			
600	3VA6560-5KQ42-0AA0	3VA6560-6KQ42-0AA0	3VA6560-7KQ42-0AA0
800	3VA6580-5KQ42-0AA0	3VA6580-6KQ42-0AA0	3VA6580-7KQ42-0AA0

# Molded Case Circuit Breakers

## 3VA55 and 3VA65 800A / 3VA66 1000A Electronic Trip Circuit Breakers

Selection

Connections for 75C wire for 3VA55, 3VA65 and 3VA66

Type	Minimum cable size	Maximum cable size	Part Number (kit of 3 lugs)	Part Number (kit of 4 lugs)
Aluminum body lug, 2 cables (Cu/Al cable)	4/0	600 kcmil	3VA9573-0JB23	3VA9574-0JB23
Aluminum body lug, 2 cables (Cu/Al cable) with control wire tap	4/0	600 kcmil	3VA9573-0JG23	3VA9574-0JG23
Aluminum body lug, 2 cables (Cu/Al cable) with 1 extended terminal cover <sup>①</sup>	400 kcmil	750 kcmil	3VA9673-0JJ24	3VA9674-0JJ24
Aluminum body lug, 2 cables (Cu/Al cable) with control wire tap and 1 extended terminal cover <sup>①</sup>	400 kcmil	750 kcmil	3VA9673-0JC24	3VA9674-0JC24
Aluminum body lug, 3 cables (Cu/Al cable)	4/0	400 kcmil	3VA9673-0JB32	3VA9674-0JB32
Aluminum body lug, 3 cables (Cu/Al cable) with control wire tap	4/0	400 kcmil	3VA9673-0JG32	3VA9674-0JG32
Aluminum body lug, 3 cables (Cu/Al cable) with 1 extended terminal cover <sup>①</sup>	500 kcmil	750 kcmil	3VA9673-0JJ34	3VA9674-0JJ34
Aluminum body lug, 3 cables (Cu/Al cable) with control wire tap and 1 extended terminal cover <sup>①</sup>	500 kcmil	750 kcmil	3VA9673-0JC34	3VA9674-0JC34
Aluminum body lug, 4 cables (Cu/Al cable) with 1 extended terminal cover <sup>①</sup>	4/0	500 kcmil	3VA9673-0JJ43	3VA9674-0JJ43
Aluminum body lug, 4 cables (Cu/Al cable) with control wire tap and 1 extended terminal cover <sup>①</sup>	4/0	500 kcmil	3VA9673-0JC43	3VA9674-0JC43
Aluminum body lug, 4 cables (Cu/Al cable) with 1 extended terminal cover <sup>①</sup>	4/0	600 kcmil	3VA9673-0JJ44	3VA9674-0JJ44
Aluminum body lug, 4 cables (Cu/Al cable) with control wire tap and 1 extended terminal cover <sup>①</sup>	4/0	600 kcmil	3VA9673-0JC44	3VA9674-0JC44
Copper body lug, 3 cables (Cu/Al cable) <sup>①</sup>	4/0	400 kcmil	3VA9673-0JD32	3VA9674-0JD32
Copper body lug, 3 cables (Cu/Al cable) with control wire tap <sup>①</sup>	4/0	400 kcmil	3VA9673-0JK32	3VA9674-0JK32
Copper body lug, 4 cables (Cu/Al cable) with 1 extended terminal cover	4/0	500 kcmil	3VA9673-0JE43	3VA9674-0JE43
Copper body lug, 4 cables (Cu/Al cable) with control wire tap and 1 extended terminal cover	4/0	500 kcmil	3VA9673-0JL43	3VA9674-0JL43

<sup>①</sup> Meets requirements for 100% rated breakers up to 800A, requires the use of 90 degree wire.

■ Product not yet released.

### Trip Settings for 3VA55

TM230 - FTAM

I <sub>n</sub> (Amp)	I <sub>l</sub> (Amp)	I <sub>l</sub> (Amp)						
600	600	3000	3600	4200	4800	5400	6000	
700	700	3500	4200	4900	5600	6300	7000	
800	800	4000	4800	5600	6400	7200	8000	

### Trip Settings for 3VA65 and 3VA66

ETU320-LI, ETU330-LIG, ETU350-LSI

Cont. Amp	LI, LIG, LSI				LSI		LIG	LI, LIG, LSI 4P only
	I <sub>n</sub> (Amp)	I <sub>l</sub> (Amp) (L)	t <sub>ca</sub> (sec) (L)	I <sub>l</sub> (Amp) (I)	I <sub>ca</sub> = xlr (Amp) (S)	t <sub>ca</sub> (sec) (S)	I <sub>g</sub> (Amp) (G)	I <sub>ca</sub> =xI <sub>l</sub> (Amp)
600	240 - 600		0.5 - 17	900 - 7200	1.5 - 12	0 - 0.4	120 - 600	0.2 - 1.0
800	320 - 800		0.5 - 17	1200 - 8000	1.5 - 10	0 - 0.4	160 - 800	0.2 - 1.0
1000	400 - 1000		0.5 - 17	1500 - 10000	1.5 - 10	0 - 0.4	200 - 1000	0.2 - 1.0

ETU550-LSI, ETU556 LSI(A), ETU560-LSIG, ETU820-LI, ETU856 LSI(A), ETU860-LSIG

Cont. Amp	LI, LIG, LSI, LSIG, LSI(G)				LSI, LSIG, LSI(G)		LIG, LSIG, LSI(G)		LSI 3P with External CT	LI, LIG, LSI, LSIG, LSI(G) 4P only
	I <sub>n</sub> (Amp)	I <sub>l</sub> (Amp) (L)	t <sub>ca</sub> (sec) (L)	I <sub>l</sub> (Amp) (I)	I <sub>ca</sub> (Amp) (S)	t <sub>ca</sub> (sec) (S)	I <sub>g</sub> (Amp) (G)	t <sub>g</sub> (G)	I <sub>ca</sub> =xI <sub>l</sub> (Amp)	I <sub>l</sub> (Amp)
600	240 - 600		0.5 - 25	900 - 7200	360 - 7200	0.05 - 0.5	120 - 600	0.05 - 0.8	120 - 960	120 - 600
800	320 - 800		0.5 - 25	1200 - 8000	480 - 8000	0.05 - 0.5	160 - 800	0.05 - 0.8	160 - 1280	160 - 800
1000	400 - 1000		0.5 - 25	1500 - 10000	600 - 10000	0.05 - 0.5	200 - 1000	0.05 - 0.8	200 - 1600	200 - 1000

For specific trip settings refer to the Electronic Trip Unit section of the 3VA Systems Manual,

which can be found in the document download center at [https://www.siemens.com/download?BTLV\\_50412](https://www.siemens.com/download?BTLV_50412)

Internal accessories	Optional equipment	Slot No.:
Auxiliary switch	AUX_HQ	
Auxiliary switch	AUX_HQ_el	
Auxiliary switch	AUX_HP	
Leading changeover switch	LCS_HQ	
Alarm switch	LCS_HQ_el	
Trip alarm switch	LCS_HP	
Electrical alarm switch (3VA6)	TAS_HQ	
Electrical alarm switch	TAS_HQ_el	
Auxiliary release	TAS_HP	
Shunt trip flexible	EAS_HQ	
Shunt trip left	EAS_HQ_el	
Residual current release	EAS_HP	
Undervoltage release	SAS_HQ	
Universal release	SAS_HQ_el	
ETU/communication <sup>®</sup>	UNI	
Communication module 3VA server	COM060	
24 V module		
Other		
Cylinder lock (type Ronis)		

# Molded Case Circuit Breakers

## 3VA66 1000A Electronic Trip Circuit Breakers

*Selection*



3VA66 800A 3-Pole

### Ordering Information

The catalog numbers listed below are for complete, non-interchangeable trip circuit breakers with nut keepers on both line and load ends.

Order required lugs or connection technology separately for field installation.

All 3VA66 electronic trip circuit breakers are CSA approved / UL listed for reverse feed applications.

All 3VA66 circuit breakers are certified to UL 489 Supplement SB, are marked "Naval", and are suitable for use at 50C.

### 3VA66 1000A, 3-pole Frame, Electronic Trip Unit

Continuous Ampere	M-Interrupting Class (MMNAE)	H-Interrupting Class (HMNAE)	C-Interrupting Class (CMNAE)
	Catalog Number	Catalog Number	Catalog Number
ETU320 LI with dials			
1000	3VA6610-5HL32-0AA0	3VA6610-6HL32-0AA0	3VA6610-7HL32-0AA0
ETU330 LIG with dials			
1000	3VA6610-5HM32-0AA0	3VA6610-6HM32-0AA0	3VA6610-7HM32-0AA0
ETU350 LSI with dials			
1000	3VA6610-5HN32-0AA0	3VA6610-6HN32-0AA0	3VA6610-7HN32-0AA0
ETU550 LSI with LCD			
1000	3VA6610-5JP32-0AA0	3VA6610-6JP32-0AA0	3VA6610-7JP32-0AA0
ETU556 LSI(G Alarm) with LCD			
1000	3VA6610-5JT32-0AA0	3VA6610-6JT32-0AA0	3VA6610-7JT32-0AA0
ETU560 LSI(G) with LCD			
1000	3VA6610-5JQ32-0AA0	3VA6610-6JQ32-0AA0	3VA6610-7JQ32-0AA0
ETU820 LI with LCD and Metering			
1000	3VA6610-5KL32-0AA0	3VA6610-6KL32-0AA0	3VA6610-7KL32-0AA0
ETU856 LSI(G Alarm) with LCD and Metering			
1000	3VA6610-5KT32-0AA0	3VA6610-6KT32-0AA0	3VA6610-7KT32-0AA0
ETU860 LSI(G) with LCD and Metering			
1000	3VA6610-5KQ32-0AA0	3VA6610-6KQ32-0AA0	3VA6610-7KQ32-0AA0

# Molded Case Circuit Breakers

## 3VA66 1000A Electronic Trip Circuit Breakers

Selection



3VA66 800A 4-Pole

### Interrupting Ratings for 3VA66

Interrupting Class	Breaker Type	RMS Symmetrical Amperes (kA)				
		Volts AC (50/60 Hz)				
		240	480Y/277V	480	600Y/347V	600
M	MMNAE	100	35	35	25	25
H	HMNAE	150	65	65	35	35
C	CMNAE	200	100	100	50	50

### Dimensions

### Shipping Weight

Breaker	Poles	W in. (mm)	H in. (mm)	D in. (mm)	lbs.	kg
3VA66	3	8.3 (210)	12.5 (318)	5.8 (147)	29.4	13.4
3VA66	4	11.1 (280)	12.5 (318)	5.8 (147)	37.4	17.0

### 3VA66 1000A, 4-pole Frame, Electronic Trip Unit

Continuous Ampere	M-Interrupting Class (MMNAE)	H-Interrupting Class (HMNAE)	C-Interrupting Class (CMNAE)
	Catalog Number	Catalog Number	Catalog Number
	ETU320 LI with dials		
1000	3VA6610-5HL42-0AA0	3VA6610-6HL42-0AA0	3VA6610-7HL42-0AA0
	ETU330 LIG with dials		
1000	3VA6610-5HM42-0AA0	3VA6610-6HM42-0AA0	3VA6610-7HM42-0AA0
	ETU350 LSI with dials		
1000	3VA6610-5HN42-0AA0	3VA6610-6HN42-0AA0	3VA6610-7HN42-0AA0
	ETU550 LSI with LCD		
1000	3VA6610-5JP42-0AA0	3VA6610-6JP42-0AA0	3VA6610-7JP42-0AA0
	ETU556 LSI(G Alarm) with LCD		
1000	3VA6610-5JT42-0AA0	3VA6610-6JT42-0AA0	3VA6610-7JT42-0AA0
	ETU560 LSIG with LCD		
1000	3VA6610-5JQ42-0AA0	3VA6610-6JQ42-0AA0	3VA6610-7JQ42-0AA0
	ETU820 LI with LCD and Metering		
1000	3VA6610-5KL42-0AA0	3VA6610-6KL42-0AA0	3VA6610-7KL42-0AA0
	ETU856 LSI(G Alarm) with LCD and Metering		
1000	3VA6610-5KT42-0AA0	3VA6610-6KT42-0AA0	3VA6610-7KT42-0AA0
	ETU860 LSIG with LCD and Metering		
1000	3VA6610-5KQ42-0AA0	3VA6610-6KQ42-0AA0	3VA6610-7KQ42-0AA0

# Molded Case Circuit Breakers

## 3VA Molded Case Switch and Motor Circuit Protector

*Selection*

Breaking capacity (the SCCR rating) is the maximum permissible short circuit current at the installation location of the MCS in combination with an appropriate overload protective device.

### Molded Case Switch Magnetic

Frame (Breaker Type)	Max. Ampere Rating	2-Pole	3-Pole	Short-Circuit Current Rating			Instantaneous short circuit protection
		Catalog Number	Catalog Number	240V	480V	600V	
3VA51 (HEAS)	100	3VA5110-1BB21-0AA0	3VA5110-1BB31-0AA0	100k	65k	14k <sup>Ⓞ</sup>	1600 A
3VA52 (HFAS)	150	3VA5215-0BB61-0AA0	3VA5215-0BB31-0AA0	100k	65k	25k	2400 A
	250	3VA5225-0BB61-0AA0	3VA5225-0BB31-0AA0	100k	65k	25k	2500 A
3VA53 (HJAS)	400	3VA5340-0BB61-0AA0	3VA5340-0BB31-0AA0	100k	65k	25k	6000 A
3VA54 (HLAS)	600	3VA5460-0BB61-0AA0	3VA5460-0BB31-0AA0	100k	65k	25k	6000 A
3VA55 (HMAS)	800	3VA5580-0BB61-0AA0	3VA5580-0BB31-0AA0	100k	65k	25k	8000 A



Magnetic switch

3VA52 (CFAS)	100	3VA5210-1BB61-0AA0	3VA5210-1BB31-0AA0	200k	100k	35k	2500 A
	150	3VA5215-1BB61-0AA0	3VA5215-1BB31-0AA0	200k	100k	35k	2400 A
	250	3VA5225-1BB61-0AA0	3VA5225-1BB31-0AA0	200k	100k	35k	2500 A
3VA53 (CJAS)	400	3VA5340-1BB61-0AA0	3VA5340-1BB31-0AA0	200k	100k	35k	6000 A
3VA54 (CLAS)	600	3VA5460-1BB61-0AA0	3VA5460-1BB31-0AA0	200k	100k	35k	6000 A
3VA55 (CMAS)	800	3VA5580-1BB61-0AA0	3VA5580-1BB31-0AA0	100k	100k	50k	8000 A



Electronic Trip Unit switch

### Molded Case Switch Electronic

Frame (Breaker Type)	Max. Ampere Rating	2-Pole	3-Pole	Short-Circuit Current Rating			Instantaneous short circuit protection
		Catalog Number	Catalog Number	240V	480V	600V	
3VA63 (CJAE)	400	—	3VA6340-1BB31-0AA0	200k	100k	35k	5600 A
3VA64 (CLAE)	600	—	3VA6460-1BB31-0AA0	200k	100k	35k	5400 A

<sup>Ⓞ</sup> Rated at 600 Y/347 V AC.

# Molded Case Circuit Breakers

## 3VA Molded Case Switch and Motor Circuit Protector

Selection

### Motor circuit protector TM120M AM<sup>③</sup>

Frame (Breaker Type)	Maximum Ampere Rating	3-Pole Catalog Number	Instantaneous short circuit protection
3VA51 (HEAP)	1	3VA5181-1MU31-0AA0	3 ... 7
		3VA5181-1MH31-0AA0	5 ... 12
	2	3VA5102-1MU31-0AA0	6 ... 14
		3VA5102-1MH31-0AA0	10 ... 24
	3	3VA5103-1MU31-0AA0	9 ... 21
		3VA5103-1MH31-0AA0	15 ... 36
	5	3VA5105-1MU31-0AA0	15 ... 35
		3VA5105-1MH31-0AA0	25 ... 60
	7	3VA5107-1MU31-0AA0	21 ... 49
		3VA5107-1MH31-0AA0	35 ... 84
	10	3VA5191-1MU31-0AA0	30 ... 70
		3VA5191-1MH31-0AA0	50 ... 120
	15	3VA5195-1MU31-0AA0	45 ... 105
		3VA5195-1MH31-0AA0	75 ... 180
	25	3VA5125-1MU31-0AA0	75 ... 175
		3VA5125-1MH31-0AA0	125 ... 300
	30	3VA5130-1MU31-0AA0	90 ... 210
		3VA5130-1MH31-0AA0	150 ... 360
	40	3VA5140-1MU31-0AA0	120 ... 280
		3VA5140-1MH31-0AA0	200 ... 480
	50	3VA5150-1MU31-0AA0	150 ... 350
		3VA5150-1MH31-0AA0	250 ... 600
	70	3VA5170-1MU31-0AA0	210 ... 490
		3VA5170-1MH31-0AA0	350 ... 840
80	3VA5180-1MU31-0AA0	240 ... 560	
	3VA5180-1MH31-0AA0	400 ... 960	
90	3VA5190-1MU31-0AA0	270 ... 630	
	3VA5190-1MH31-0AA0	450 ... 1080	
100	3VA5110-1MU31-0AA0	300 ... 700	
	3VA5110-1MH31-0AA0	500 ... 1200	
110	3VA5111-1MU31-0AA0	330 ... 770	
	3VA5111-1MH31-0AA0	550 ... 1320	
125	3VA5112-1MU31-0AA0	375 ... 875	
	3VA5112-1MH31-0AA0	625 ... 1500	
150	3VA5215-0MU31-0AA0	450 ... 900	
	3VA5215-0MH31-0AA0	900 ... 1800	
200	3VA5220-0MU31-0AA0	600 ... 1200	
	3VA5220-0MH31-0AA0	1200 ... 2400	
250	3VA5325-0MU31-0AA0	750 ... 1500	
	3VA5325-0MH31-0AA0	1500 ... 3000	

### Motor circuit protector TM120M AM<sup>②</sup>

3VA52 (CFAP)	150	3VA5215-1MU31-0AA0	450 ... 900
		3VA5215-1MH31-0AA0	900 ... 1800
	200	3VA5220-1MU31-0AA0	600 ... 1200
		3VA5220-1MH31-0AA0	1200 ... 2400

### Motor circuit protector TM120M AM<sup>②</sup>

Frame (Breaker Type)	Maximum Ampere Rating	3-Pole Catalog Number	Instantaneous short circuit protection	
3VA54 (HLAP)	400	3VA5440-0MU31-0AA0	750 ... 1500	
		3VA5440-0MH31-0AA0	1200 ... 2400	
		3VA5450-0MU31-0AA0	1500 ... 3000	
	500	3VA5450-0MH31-0AA0	3000 ... 6000	
		600	3VA5460-0MU31-0AA0	1800 ... 3600
			3VA5460-0MH31-0AA0	3000 ... 6000
3VA55 (HMAP)	600	3VA5560-0MH31-0AA0	4800 ... 9600	
3VA52 (CFAP)	150	3VA5215-1MU31-0AA0	450 ... 900	
		3VA5215-1MH31-0AA0	900 ... 1800	
	200	3VA5220-1MU31-0AA0	600 ... 1200	
		3VA5220-1MH31-0AA0	1200 ... 2400	
	250	3VA5225-1MH31-0AA0	750 ... 900	
		3VA5225-1MU31-0AA0	1250 ... 2500	
3VA53 (CJAP)	250	3VA5325-1MU31-0AA0	750 ... 1500	
3VA54 (CLAP)	400	3VA5440-1MU31-0AA0	750 ... 1500	
		3VA5440-1MH31-0AA0	2400 ... 4800	
	500	3VA5450-1MU31-0AA0	1500 ... 3000	
		3VA5450-1MH31-0AA0	3000 ... 6000	
	600	3VA5460-1MU31-0AA0	1500 ... 3000	
		3VA5460-1MH31-0AA0	3000 ... 6000	
3VA55 (CMAP)	600	3VA5560-1MH31-0AA0	4800 ... 9600	

### Motor circuit protector ETU310M<sup>②</sup>

Frame (Breaker Type)	Maximum Ampere Rating	3-Pole Catalog Number	Instantaneous short circuit protection	
3VA61 (CDAR)	25	3VA6125-1MS31-0AA0	75 ... 375	
	30	3VA6130-1MS31-0AA0	90 ... 450	
	40	3VA6140-1MS31-0AA0	120 ... 600	
	50	3VA6150-1MS31-0AA0	150 ... 750	
	70	3VA6170-1MS31-0AA0	210 ... 1050	
	80	3VA6180-1MS31-0AA0	240 ... 1200	
	90	3VA6190-1MS31-0AA0	270 ... 1350	
	100	3VA6110-1MS31-0AA0	300 ... 1500	
	3VA62 (CFAR-Y)	110	3VA6211-1MS31-0AA0	330 ... 1650
		125	3VA6212-1MS31-0AA0	375 ... 1875
150		3VA6215-1MS31-0AA0	450 ... 2250	
200		3VA6220-1MS31-0AA0	600 ... 2400	
3VA63 (CJAR)	200	3VA6320-1MS31-0AA0	600 ... 3000	
	250	3VA6325-1MS31-0AA0	750 ... 3750	
3VA64 (CLAR)	400	3VA6440-1MS31-0AA0	1200 ... 5200	
	500	3VA6450-1MS31-0AA0	1500 ... 6000	
3VA65 (CMAR)	800	3VA6580-1MS31-0AA0	2400 ... 12000	

## Interrupting Ratings

Frame	Breaker Type	RMS Symmetrical Amperes (kA)							
		Volts AC (50/60 Hz)				Volts DC			
		240	480	600Y/ 347V	600	125 (1P)	250 (2P)	500 <sup>②</sup> (3P)	600 (3P)
3VA51	HEAP	150	65	25	—	30	100	100	—
3VA52	HFAP	100	65	25	25	—	—	85	85
	CFAP	200	100	35	35	—	—	100	100
3VA53	HJAP	100	65	25	25	—	—	—	—
	CHAP	200	100	35	35	—	—	—	—
3VA54	HLAP	100	65	25	25	—	—	—	—
	CLAP	200	100	35	35	—	—	—	—
3VA55	HMAP	100	65	25	—	—	—	—	—
	CMAP	100	100	50	—	—	—	—	—
3VA61	CDAR	200	100	35	35	—	—	—	—
3VA62	CFAR	200	100	35	35	—	—	—	—
3VA63	CJAR	200	100	35	35	—	—	—	—
3VA64	CLAR	200	100	35	35	—	—	—	—
3VA65	CMAR	200	100	42	—	—	—	—	—



Motor Circuit Protector

- ① Rated at 600 Y/347 V AC.
- ② SCCR is 35kA at 600V. SCCR rating is the maximum permissible short circuit current of the MCP in combination with an appropriate overload protection device.
- ③ SCCR is 25kA at 600V. SCCR rating is the maximum permissible short circuit current of the MCP in combination with an appropriate overload protection device.
- ④ 2 poles required for 500VDC for breaker types HFAP and CFAP.



# Molded Case Circuit Breakers

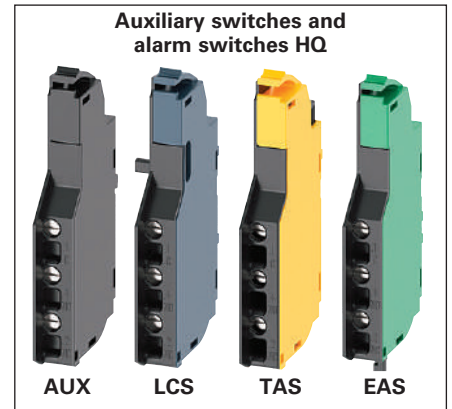
## 3VA Internal Accessories

*Selection*

### Internal Accessories

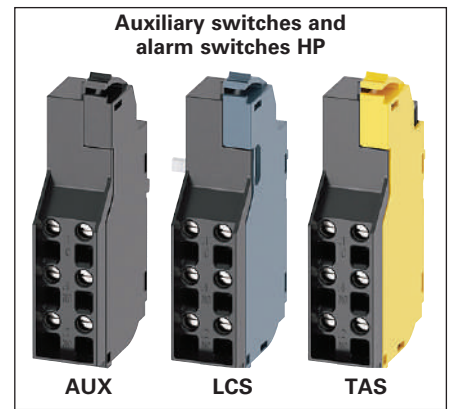
#### Auxiliary and Alarm Switches

Switch Type	Catalog Number		
	HP High Power (2 slots)	HQ Compact (1 slot)	HQ Electronic <sup>①</sup> (1 slot)
Auxiliary Switch (AUX)	3VA9978-0AA11	3VA9978-0AA12	3VA9978-0AA13
Leading Changeover Switch (LCS)	3VA9978-0AA21	3VA9978-0AA22	3VA9978-0AA23
Trip Alarm Switch (TAS)	3VA9978-0AB11	3VA9978-0AB12	3VA9978-0AB13
Electronic Alarm (EAS)	—	3VA9978-0AB22	3VA9978-0AB23



#### Shunt Trips

Type	VAC 50/60 Hz	VDC	Catalog Number (3 slots)
Shunt Trip Left (STL)	380 ... 600	—	3VA9978-0BL20
	—	12	3VA9978-0BL10
	24	24 ... 30	3VA9978-0BL30
	48 ... 60	—	3VA9978-0BL31
	110 ... 127	110 ... 127	3VA9978-0BL32
	208 ... 277	220 ... 250	3VA9978-0BL33
Shunt Trip Flexible (STF) <sup>②</sup>	24	—	3VA9978-0BA20
	48 ... 60	—	3VA9978-0BA21
	110 ... 127	—	3VA9978-0BA22
	208 ... 277	—	3VA9978-0BA23
	380 ... 500	—	3VA9978-0BA24
	600	—	3VA9978-0BA25



#### Undervoltage Release

Undervoltage Release (UVR)	—	12	3VA9978-0BB10
	—	24	3VA9978-0BB11
	—	48	3VA9978-0BB12
	—	125 ... 127	3VA9978-0BB14
	—	250	3VA9978-0BB16
	24	—	3VA9978-0BB20
	120 ... 127	—	3VA9978-0BB24
	208 ... 230	—	3VA9978-0BB25
	440 ... 480	—	3VA9978-0BB27



#### Universal Release (Undervoltage and Shunt trip)

Universal Release (UNI)	—	12	3VA9978-0BD11
	—	24	3VA9978-0BD12
	—	48	3VA9978-0BD13



#### Time-delay Device for Undervoltage Release

Type	VAC 50/60 Hz	VDC	Delay Time	Catalog Number
Time-delay Device	230	230	Fixed – 100ms minimum	3VA9978-0BF22
	—	24	Fixed – 100ms minimum	3VA9978-0BF23

<sup>①</sup> Use only with 3VA6.


<sup>②</sup> Shunt trip flexible can be used in the left pocket of the 3VA5 breakers. They can be used in the left or right pocket of the 3VA6 breakers.

# Molded Case Circuit Breakers

## 3VA Manual Operators

*Selection*

### Front Mounted Rotary Operator

	Type	Color	3VA5 125A	3VA5 250A	3VA6 150A 250A	3VA5 3VA6 400A 600A	3VA5 3VA6 800A 1000A	Catalog Number
 <p>Degree of protection NEMA 1</p>	Standard without illumination kit	Gray	✓	—	—	—	—	3VA9137-0EK11
			—	✓	✓	—	—	3VA9277-0EK11
			—	—	—	✓	—	3VA9447-0EK11
			—	—	—	—	✓	3VA9677-0EK11
	Standard with illumination kit	Gray	✓	—	—	—	—	3VA9137-0EK13
			—	✓	✓	—	—	3VA9277-0EK13
			—	—	—	✓	—	3VA9447-0EK13
	EMERGENCY-OFF without illumination kit	Yellow-Red	✓	—	—	—	—	3VA9137-0EK15
			—	✓	✓	—	—	3VA9277-0EK15
			—	—	—	✓	—	3VA9447-0EK15
			—	—	—	—	✓	3VA9677-0EK15
	EMERGENCY-OFF with illumination kit	Yellow-Red	✓	—	—	—	—	3VA9137-0EK17
			—	✓	✓	—	—	3VA9277-0EK17
			—	—	—	✓	—	3VA9447-0EK17
	Standard with door interlock	Gray	✓	—	—	—	—	3VA9137-0EK21
			—	✓	✓	—	—	3VA9277-0EK21
			—	—	—	✓	—	3VA9447-0EK21
			—	—	—	—	✓	3VA9677-0EK21
	Standard with door interlock, with illumination kit	Gray	✓	—	—	—	—	3VA9137-0EK23
			—	✓	✓	—	—	3VA9277-0EK23
—			—	—	✓	—	3VA9447-0EK23	
EMERGENCY-OFF with door interlock	Yellow-Red	✓	—	—	—	—	3VA9137-0EK25	
		—	✓	✓	—	—	3VA9277-0EK25	
		—	—	—	✓	—	3VA9447-0EK25	
		—	—	—	—	✓	3VA9677-0EK25	
EMERGENCY-OFF with door interlock, with illumination kit	Yellow-Red	✓	—	—	—	—	3VA9137-0EK27	
		—	✓	✓	—	—	3VA9277-0EK27	
		—	—	—	✓	—	3VA9447-0EK27	
Standard with door interlock, with door open function	Gray	✓	—	—	—	—	3VA9137-0EK31	
		—	✓	✓	—	—	3VA9277-0EK31	
		—	—	—	✓	—	3VA9447-0EK31	
		—	—	—	—	✓	3VA9677-0EK31	
Standard with door interlock, with door open function, with illumination kit	Gray	✓	—	—	—	—	3VA9137-0EK33	
		—	✓	✓	—	—	3VA9277-0EK33	
		—	—	—	✓	—	3VA9447-0EK33	
		—	—	—	—	✓	3VA9677-0EK33	
EMERGENCY-OFF with door interlock, with door open function	Yellow-Red	✓	—	—	—	—	3VA9137-0EK35	
		—	✓	✓	—	—	3VA9277-0EK35	
		—	—	—	✓	—	3VA9447-0EK35	
		—	—	—	—	✓	3VA9677-0EK35	
EMERGENCY-OFF with door interlock, with door open function, with illumination kit	Yellow-Red	✓	—	—	—	—	3VA9137-0EK37	
		—	✓	✓	—	—	3VA9277-0EK37	
		—	—	—	✓	—	3VA9447-0EK37	

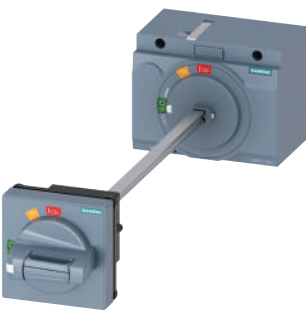

5 MOLDED CASE CIRCUIT BREAKERS

# Molded Case Circuit Breakers





## 3VA Manual Operators

Selection

### Door Mounted Rotary Operator<sup>①</sup>

	Type	Color	3VA5	3VA5	3VA6	3VA5	3VA5	Catalog Number
			125A	250A	150A 250A	3VA6 400A 600A	3VA6 800A 1000A	
 <p>Degree of protection Type 1, 12, 3R and 4X</p>	Standard	Gray	✓	—	—	—	—	3VA9137-0FK21
			—	✓	✓	—	—	3VA9277-0FK21
			—	—	—	✓	—	3VA9447-0FK21
			—	—	—	—	✓	3VA9677-0FK21
	Standard with illumination kit	Gray	✓	—	—	—	—	3VA9137-0FK23
			—	✓	✓	—	—	3VA9277-0FK23
			—	—	—	✓	—	3VA9447-0FK23
			—	—	—	—	✓	3VA9677-0FK23
	EMERGENCY-OFF	Yellow-Red	✓	—	—	—	—	3VA9137-0FK25
			—	✓	✓	—	—	3VA9277-0FK25
			—	—	—	✓	—	3VA9447-0FK25
			—	—	—	—	✓	3VA9677-0FK25
	EMERGENCY-OFF with illumination kit	Yellow-Red	✓	—	—	—	—	3VA9137-0FK27
			—	✓	✓	—	—	3VA9277-0FK27
			—	—	—	✓	—	3VA9447-0FK27
			—	—	—	—	✓	3VA9677-0FK27
	Standard with door interlock, with open door function	Gray	✓	—	—	—	—	3VA9137-0FK31
			—	✓	✓	—	—	3VA9277-0FK31
		—	—	—	✓	—	3VA9447-0FK31	
		—	—	—	—	✓	3VA9677-0FK31	
Standard with door interlock, with open door function with illumination kit	Gray	✓	—	—	—	—	3VA9137-0FK33	
		—	✓	✓	—	—	3VA9277-0FK33	
		—	—	—	✓	—	3VA9447-0FK33	
		—	—	—	—	✓	3VA9677-0FK33	
EMERGENCY-OFF with door interlock, with open door function	Yellow-Red	✓	—	—	—	—	3VA9137-0FK35	
		—	✓	✓	—	—	3VA9277-0FK35	
		—	—	—	✓	—	3VA9447-0FK35	
		—	—	—	—	✓	3VA9677-0FK35	
EMERGENCY-OFF with door interlock, with open door function, with illumination kit	Yellow-Red	✓	—	—	—	—	3VA9137-0FK37	
		—	✓	✓	—	—	3VA9277-0FK37	
		—	—	—	✓	—	3VA9447-0FK37	
		—	—	—	—	✓	3VA9677-0FK37	
 <p>NFPA-79 Supplementary Handles</p>	Standard	Gray	✓	—	—	—	—	3VA9137-0GC01
			—	✓	✓	—	—	3VA9477-0GC01
			—	—	—	✓	—	3VA9477-0GC11
			—	—	—	—	✓	3VA9677-0GC01
	EMERGENCY-OFF	Yellow-Red	✓	—	—	—	—	3VA9137-0GC05
			—	✓	✓	—	—	3VA9477-0GC05
			—	—	—	✓	—	3VA9477-0GC15
			—	—	—	—	✓	3VA9677-0GC05

### Side Mounted Rotary Operator<sup>①</sup>

 <ul style="list-style-type: none"> <li>Without mounting plate</li> <li>Rotary operator with shaft 300 mm</li> <li>Handle with masking plate 75 x 75 mm</li> <li>Degree of protection Type 1, 12, 3R, 4X</li> </ul>	Standard	Gray	✓	—	—	—	—	3VA9137-0PK11	
			—	✓	✓	—	—	3VA9277-0PK11	
	Standard with illumination kit	Gray	✓	—	—	—	—	—	3VA9137-0PK13
			—	✓	✓	—	—	—	3VA9277-0PK13
 <ul style="list-style-type: none"> <li>With mounting plate</li> <li>Rotary operator with short shaft</li> <li>Handle with masking plate 75 x 75 mm</li> <li>Degree of protection Type 1, 12, 3R, 4X</li> </ul>	EMERGENCY-OFF	Yellow-Red	✓	—	—	—	—	3VA9137-0PK15	
			—	✓	✓	—	—	—	3VA9277-0PK15
	EMERGENCY-OFF with illumination kit	Yellow-Red	✓	—	—	—	—	—	3VA9137-0PK17
			—	✓	✓	—	—	—	3VA9277-0PK17
 <p>Side Mounted Rotary Operator Door Interlock</p> <ul style="list-style-type: none"> <li>Standard for use with the side wall mounted rotary operators</li> <li>Without mounting plate</li> </ul>	Standard with mounting plate	Gray	✓	—	—	—	—	3VA9137-0PK51	
			—	✓	✓	—	—	—	3VA9277-0PK51
	Standard with mounting plate, with illumination kit	Gray	✓	—	—	—	—	—	3VA9137-0PK53
			—	✓	✓	—	—	—	3VA9277-0PK53
	EMERGENCY-OFF with mounting plate	Yellow-Red	✓	—	—	—	—	—	3VA9137-0PK55
			—	✓	✓	—	—	—	3VA9277-0PK55
	EMERGENCY-OFF with mounting plate, with illumination kit	Yellow-Red	✓	—	—	—	—	—	3VA9137-0PK57
			—	✓	✓	—	—	—	3VA9277-0PK57
 <p>Side Mounted Rotary Operator Door Interlock</p> <ul style="list-style-type: none"> <li>Standard for use with the side wall mounted rotary operators</li> <li>Without mounting plate</li> </ul>	Standard for use with the side wall mounted rotary operators	Gray	✓	—	—	—	—	3VA9177-0VF40	
			—	✓	✓	—	—	—	3VA9277-0VF40

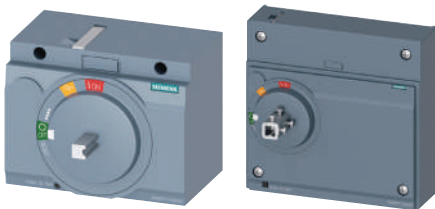
① Lockable with up to three padlock hasps.

# Molded Case Circuit Breakers


## 3VA Manual Operators

Selection

### Breaker Operator


		Type	Color	3VA5 125A	3VA5 250A	3VA6 150A 250A	3VA5 3VA6 400A 600A	3VA5 3VA6 800A 1000A	Catalog Number
 <p>3VA9277-0GK00      3VA9677-0GK00</p>	Without handle, with shaft stub, without door interlock For retrofit with 3VL handle	Gray	✓	—	—	—	—	3VA9137-0GK00	
			—	✓	✓	—	—	3VA9277-0GK00	
			—	—	—	✓	—	3VA9447-0GK00	
			—	—	—	—	✓	3VA9677-0GK00	

### Handles with Masking Plate (Purchase breaker operator, shaft and shaft adapter separately)

 <ul style="list-style-type: none"> <li>Degree of protection Type 1, 12, 3R and 4X</li> </ul>	Standard	Gray	Without	Without	✓	✓	✓	—	—	Catalog Number
	EMERGENCY-OFF	Yellow-Red	Without	Without	✓	✓	✓	—	—	8UD1721-0AB11
With			Without	✓	✓	✓	—	—	8UD1721-0AB21	
Without			Without	—	—	—	✓	—	8UD1731-0AB11	
With			Without	—	—	—	✓	—	8UD1731-0AB21	
Without			With	✓	✓	✓	—	—	8UD1721-0AC11	
With			With	✓	✓	✓	—	—	8UD1721-0AC21	
Without			With	—	—	—	✓	—	8UD1731-0AC11	
With			With	—	—	—	✓	—	8UD1731-0AC21	
Without			With	—	—	—	—	✓	8UD1741-0AB11	
With			With	—	—	—	—	✓	8UD1741-0AB21	
Without			Without	✓	✓	✓	—	—	8UD1721-0AB15	
With			Without	✓	✓	✓	—	—	8UD1721-0AB25	
Without			Without	—	—	—	✓	—	8UD1731-0AB15	
With			Without	—	—	—	✓	—	8UD1731-0AB25	
Without			With	✓	✓	✓	—	—	8UD1721-0AC15	
With			With	✓	✓	✓	—	—	8UD1721-0AC25	
Without			With	—	—	—	✓	—	8UD1731-0AC15	
With			With	—	—	—	✓	—	8UD1731-0AC25	
Without	With	—	—	—	—	✓	8UD1741-0AB15			
With	With	—	—	—	—	✓	8UD1741-0AB25			

5 MOLDED CASE CIRCUIT BREAKERS

### Metal Rotary Handles (Purchase breaker operator, shaft and shaft adapter separately)

	Type	Color	Tolerance Compensation	Door Open Function	3VA5 125A	3VA5 250A	3VA6 150A 250A	3VA5 3VA6 400A 600A	3VA5 3VA6 800A 1000A	Catalog Number
 <ul style="list-style-type: none"> <li>Large, degree of protection Type 1, 3, 3R, 12</li> </ul>	Metal	Black	—	With	✓	✓	✓	✓	✓	RHOH
<ul style="list-style-type: none"> <li>Large, degree of protection Type 4, 4X</li> </ul>	Metal	Stainless	—	With	✓	✓	✓	✓	✓	RHOH4
<ul style="list-style-type: none"> <li>Compact, degree of protection Type 1,3,3R,12</li> </ul>	Compact	Black	—	With	✓	✓	✓	✓	—	RHOHC
<ul style="list-style-type: none"> <li>Compact, degree of protection Type 4, 4X</li> </ul>	Compact	Stainless	—	With	✓	✓	✓	✓	—	RHOH4C
<ul style="list-style-type: none"> <li>Long, degree of protection 1,3,3R,12</li> </ul>	Emergency	Red	—	With	✓	✓	✓	✓	✓	RHVPEMH
<ul style="list-style-type: none"> <li>Compact, degree of protection 1,3,3R,12</li> </ul>	Emergency	Red	—	With	✓	✓	✓	✓	—	RHVMEMH



For additional information for selecting handle and breaker operator combinations, please refer to the brochure: [https://digitalcontentcenter.compas.siemens-info.com/SIE\\_FL\\_3VA\\_Handles.pdf](https://digitalcontentcenter.compas.siemens-info.com/SIE_FL_3VA_Handles.pdf)

# Molded Case Circuit Breakers




## 3VA Manual Operators

*Selection*

Pistol Grip Handles (Purchase breaker operator, shaft and shaft adapter separately)

	Type	Color	Tolerance Compensation	Door Open Function	3VA5 125A	3VA5 250A	3VA6 150A 250A	3VA5 3VA6 400A 600A	3VA5 3VA6 800A 1000A	Catalog Number
 ■ Degree of protection Type 1,3R,12	Plastic	Gray	—	With	✓	✓	✓	✓	—	3VA9477-0FH11
 ■ Degree of protection Type 1,3R,12	Emergency	Red	—	With	✓	✓	✓	✓	—	3VA9477-0FH15

## Door Mounted Rotary Operator Accessories










	Type	3VA5 125A	3VA5 250A	3VA6 150A 250A	3VA5 3VA6 400A 600A	3VA5 3VA6 800A 1000A	Catalog Number
	8 mm Shaft 300 mm long (for 8UD plastic handles) (Fixing bracket optional)	✓	✓	✓	✓	—	8UD1900-2WA00
	8 mm Shaft 600 mm long (for 8UD plastic handles) (Fixing bracket required)	✓	✓	✓	✓	—	8UD1900-2WB00
	12 mm Shaft 325 mm long (for 8UD plastic handles)	—	—	—	—	✓	8UD1900-4WA00
	12 mm Shaft 600 mm long (for 8UD plastic handles)	—	—	—	—	✓	8UD1900-4WB00
	8 mm Shaft 300 mm long (for metal handles) (Fixing bracket optional)	✓	✓	✓	✓	—	3VA9477-0GF20
	8 mm Shaft 600 mm long (for metal handles) (Fixing bracket required)	✓	✓	✓	✓	—	3VA9477-0GF21
	12 mm Shaft 300 mm long (for metal handles) (Fixing bracket optional)	—	—	—	—	✓	3VA9877-0GF22
	12 mm Shaft 600 mm long (for metal handles) (Fixing bracket required)	—	—	—	—	✓	3VA9877-0GF23
	8 mm Shaft 300 mm long (for pistol grip handles) (Fixing bracket optional)	✓	✓	✓	✓	—	3VA9477-0GF10
	8 mm Shaft 600 mm long (for pistol grip handles) (Fixing bracket required)	✓	✓	✓	✓	—	3VA9477-0GF11
	Adapter for 8 mm Shaft for door mounted operator	✓	✓	✓	✓	—	8UD1900-2DA00
	Adapter for 12 mm Shaft for door mounted operator	—	—	—	—	✓	8UD1900-4DA00
	Door Coupling 8 mm x 8 mm (for 8UD plastic handles)	✓	✓	✓	—	—	8UD1900-2HA00
	Door coupling 12 mm x 12 mm (for 8UD plastic handles)	—	—	—	✓	✓	8UD1900-4HA00
	Fixing bracket for Shaft	✓	—	—	—	—	3VA9137-0GA80
		—	✓	✓	✓	—	3VA9477-0GA80
	Fixing bracket for 12 mm x 12 mm shaft	—	—	—	—	✓	3VA9677-0GA80
	Variable depth adapter 8 x 8 mm	✓	✓	✓	✓	—	3VA9487-0GB10
	Mounting tolerance compensation 8 x 8 mm (for 8UD plastic handles)	✓	✓	✓	✓	—	8UD1900-2GA00
	Mounting tolerance compensation 12 mm x 12 mm (for 8UD plastic handles)	—	—	—	—	✓	8UD1900-4GA00

# Molded Case Circuit Breakers

## 3VA Manual Operators


*Selection*

### General Accessories for Manual Operators

	Type	Details	Part Number	
	Labeling plate for manual operators	—	3VA9087-0SX10	
	Illumination kit for manual operators 24 V DC voltage	For Molded Case Circuit Breakers		
		3VA5, 125...250 A	Front mounted rotary operators	8UD1900-0KA10
		3VA6, 150...600 A	Front mounted rotary operators	8UD1900-0KA20
		3VA5, 3VA6, 125...600 A	Door mounted rotary operators	8UD1900-0KA20
	Cylinder Lock (type Kaba) ■ For 8UD plastic door mounted rotary operators (in masking plate) ■ Standard masking plate	Key 1	8UD1900-0MB01	
		Key 2	8UD1900-0NB01	
		Key 3	8UD1900-0PB01	
		Key 4	8UD1900-0QB01	
	Cylinder Lock (type Kaba) <sup>Ⓞ</sup> ■ For 8UD plastic door mounted rotary operators (in masking plate) ■ Standard masking plate	Key 1	8UD1900-0MC01	
		Key 2	8UD1900-0NC01	
		Key 3	8UD1900-0PC01	
		Key 4	8UD1900-0QC01	
	Cylinder Lock (type Kaba) ■ For 8UD plastic door mounted rotary operators (in masking plate) ■ EMERGENCY-OFF masking plate	Key 1	8UD1900-0MB05	
		Key 2	8UD1900-0NB05	
		Key 3	8UD1900-0PB05	
		Key 4	8UD1900-0QB05	
	Cylinder Lock (type Kaba) <sup>Ⓞ</sup> ■ For 8UD plastic door mounted rotary operators (in masking plate) ■ EMERGENCY-OFF masking plate	Key 1	8UD1900-0MC05	
		Key 2	8UD1900-0NC05	
		Key 3	8UD1900-0PC05	
		Key 4	8UD1900-0QC05	
	Cylinder Lock (type Ronis) ■ includes 2 keys ■ for locking or interlocking ■ installation in all rotary operators w/ shaft stub	Key 1	3VA9980-0VL10	
		Key 3	3VA9980-0VL30	
		Key 4	3VA9980-0VL40	
	Cylinder lock adapter for 8UD rotary operator ■ to mount in rotary operator		3VA9980-0LF20	
	Cylinder lock adaptor for front mounted rotary operator 3VA9677-0EK.. and door mounted rotary operator 3VA9677-0FK.. 3VA55/3VA65/3VA66		3VA9670-0LF20	

**5**  
MOLDED CASE  
CIRCUIT BREAKERS

### Variable depth flange mounted operator kit

	Type	3VA5 125A	3VA5 250A	3VA6 150A 250A	3VA5 3VA6 400A 600A	Catalog Number
	Complete kit comprising: ■ Switching mechanism adjustable depth 200mm to 400mm ■ Epoxy coated steel handle, NEMA 1/3R/12, black = OFF, red = ON	✓	—	—	—	3VA9138-0DK72
		—	✓	✓	—	3VA9278-0DK72
		—	—	—	✓	3VA9478-0DK72
	Complete kit comprising: ■ Switching mechanism adjustable depth 200mm to 400mm ■ Stainless steel handle, chrome-plated NEMA 4/4X, black=OFF, red=ON	✓	—	—	—	3VA9138-0DK82
		—	✓	✓	—	3VA9278-0DK82
		—	—	—	✓	3VA9478-0DK82
Complete kit comprising: ■ Switching mechanism adjustable depth 200mm to 400mm ■ Handle stainless steel, chrome-plated NEMA 4/4X, black=OFF, black=ON	✓	—	—	—	3VA9138-0DK84	
	—	✓	✓	—	3VA9278-0DK84	
	—	—	—	✓	3VA9478-0DK84	

Ⓞ With door open function

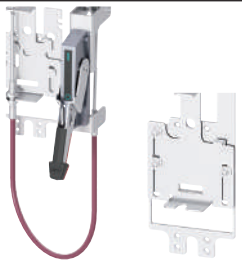





# Molded Case Circuit Breakers

## 3VA Manual and Motor Operators



Selection

### Max Flex Operator

	Type	3VA5 125A	3VA5 250A	3VA6 150A 250A	3VA5 3VA6 400A 600A	Catalog Number
 <p>Complete kit and spare mechanism</p>	Complete Kit	✓	—	—	—	3VA9137-0CK12
	<ul style="list-style-type: none"> <li>Operating mechanism</li> <li>Plastic handle, NEMA 1/12, black=OFF, green=ON</li> <li>Bowden Cable 36 inches (0.9m) long</li> </ul>	—	✓	✓	—	3VA9277-0CK12
	<ul style="list-style-type: none"> <li>Operating mechanism</li> <li>Steel handle, epoxy coated NEMA 1/3R/12, black=OFF, red=ON,</li> <li>Bowden Cable 36 inches (0.9m) long</li> </ul>	—	—	—	✓	3VA9477-0CK12
	Complete Kit	✓	—	—	—	3VA9137-0CK72
	<ul style="list-style-type: none"> <li>Operating mechanism</li> <li>Steel handle, epoxy coated NEMA 1/3R/12, black=OFF, red=ON,</li> <li>Bowden Cable 36 inches (0.9m) long</li> </ul>	—	✓	✓	—	3VA9277-0CK72
	<ul style="list-style-type: none"> <li>Operating mechanism</li> <li>Steel handle, epoxy coated NEMA 1/3R/12, black=OFF, black=ON</li> <li>Bowden Cable 36 inches (0.9m) long</li> </ul>	—	—	—	✓	3VA9477-0CK72
	Operating Mechanism (spare)	✓	—	—	—	3VA9137-0CB10
		—	✓	✓	—	3VA9277-0CB10
		—	—	—	✓	3VA9477-0CB10
		Handle - Plastic, NEMA 1/12, black = OFF, green = ON	✓	✓	✓	✓
Handle - Steel, Epoxy coated, NEMA 1/3R/12, black = OFF, red = ON		✓	✓	✓	✓	3VA9977-0CH72
Handle - Steel, Epoxy coated, NEMA 1/3R/12, black = OFF, black = ON		✓	✓	✓	✓	3VA9977-0CH74
Handle - Steel, chrome-plated, NEMA 4/4X, black = OFF, red = ON		✓	✓	✓	✓	3VA9977-0CH82
Handle - Steel, chrome-plated, NEMA 4/4X, black = OFF, black = ON		✓	✓	✓	✓	3VA9977-0CH84
	Bowden Cable, 36 inches (0.9m)	✓	✓	✓	—	3VA9278-0CC10
	Bowden Cable, 48 inches (1.2m)	✓	✓	✓	—	3VA9278-0CC20
	Bowden Cable, 60 inches (1.5m)	✓	✓	✓	—	3VA9278-0CC30
	Bowden Cable, 72 inches (1.8m)	✓	✓	✓	—	3VA9278-0CC40
	Bowden Cable, 84 inches (2.1m)	✓	✓	✓	—	3VA9278-0CC50
	Bowden Cable, 96 inches (2.4m)	✓	✓	✓	—	3VA9278-0CC60
	Bowden Cable, 120 inches (3.0m)	✓	✓	✓	—	3VA9278-0CC70
	Bowden Cable, 144 inches (3.6m)	✓	✓	✓	—	3VA9278-0CC80
	Bowden Cable, 36 inches (0.9m)	—	—	—	✓	3VA9578-0CC10
	Bowden Cable, 48 inches (1.2m)	—	—	—	✓	3VA9578-0CC20
	Bowden Cable, 60 inches (1.5m)	—	—	—	✓	3VA9578-0CC30
	Bowden Cable, 72 inches (1.8m)	—	—	—	✓	3VA9578-0CC40
	Bowden Cable, 84 inches (2.1m)	—	—	—	✓	3VA9578-0CC50
	Bowden Cable, 96 inches (2.4m)	—	—	—	✓	3VA9578-0CC60
	Bowden Cable, 120 inches (3.0m)	—	—	—	✓	3VA9578-0CC70
	Bowden Cable, 144 inches (3.6m)	—	—	—	✓	3VA9578-0CC80
		MaxFlex Auxiliary switch (leading from On to Off)	✓	✓	✓	✓
<ul style="list-style-type: none"> <li>1 CO</li> </ul>		✓	✓	✓	✓	3VA9478-0CX20
	MaxFlex Auxiliary switch (leading from On to Off)	✓	✓	✓	✓	3VA9478-0CX20
	<ul style="list-style-type: none"> <li>2 CO</li> </ul>	✓	✓	✓	✓	3VA9478-0CX20

5  
MOLDED CASE  
CIRCUIT BREAKERS

### Motor Operators<sup>①</sup>

	Type	3VA5 125 A	3VA5 250 A	3VA6 150 A 250 A	3VA5 3VA6 400A 600A	Part Number
	<b>Motor Operator without Stored Energy Feature</b>					
	24 ... 60 V DC	✓	—	—	—	3VA9137-0HA10
		—	✓	✓	—	3VA9277-0HA10
		—	—	—	✓	3VA9447-0HA10
	110 ... 230 V AC	✓	—	—	—	3VA9137-0HA20
	110 ... 250 V DC	—	✓	✓	—	3VA9277-0HA20
		—	—	—	✓	3VA9447-0HA20
	<b>Motor Operator with Stored Energy Feature</b>					
	24 V DC	—	✓	✓	—	3VA9277-0HC10
	42 ... 60 V AC/DC	—	✓	✓	—	3VA9277-0HC20
	110 ... 230 V AC / 110 ... 250 V DC	—	✓	✓	—	3VA9277-0HC30
	<b>Motor Operator with Stored Energy Feature with Communication</b>					
	24 V DC	—	✓	✓	—	3VA9277-0HC15
110 ... 230 V AC / 110 ... 250 V DC	—	✓	✓	—	3VA9277-0HC35	

① Lockable with up to three padlock hasps.

# Molded Case Circuit Breakers

## 3VA Connection Technology

Selection

### Box Terminals

	Type	Minimum cable cross-section (standard) Class B	Maximum cable cross-section (standard) Class B	For molded case circuit breakers/ rated current					Part Number
				3VA5 125A	3VA5 250A	3VA6 150A 250A	3VA5 3VA6 400A 600A	3VA5 3VA6 800A 1000A	
	Steel wrap-around lug (Cu cable only) kit of 3 single lugs	AWG 14	3/0	✓	—	—	—	—	3VA9133-0JA11
		AWG 10	3/0	—	✓	—	—	—	3VA9233-0JA11
		AWG 4	350 kcmil	—	✓	—	—	—	3VA9233-0JA12
		AWG 10	3/0	—	—	✓	—	—	3VA9143-0JA12
		AWG 4	350 kcmil	—	—	✓	—	—	3VA9243-0JA12
	Steel wrap-around lug (Cu cable only) kit of 4 single lugs	1/0	500 kcmil	—	—	—	✓	—	3VA9473-0JA13
		AWG 14	AWG 10	✓	—	—	—	—	3VA9134-0JA11
		AWG 10	3/0	—	✓	—	—	—	3VA9234-0JA11
		AWG 10	3/0	—	—	✓	—	—	3VA9144-0JA12
		AWG 4	350 kcmil	—	✓	—	—	—	3VA9234-0JA12
	Steel wrap-around lug with control wire tap (Cu cable only) kit of 3 single lugs	AWG 4	350 kcmil	—	✓	—	—	—	3VA9244-0JA12
		AWG 10	3/0	—	—	✓	—	—	3VA9143-0JH12
		AWG 4	350 kcmil	—	—	✓	—	—	3VA9243-0JH12
		1/0	500 kcmil	—	—	—	✓	—	3VA9473-0JH13
		AWG 10	3/0	—	✓	—	—	—	3VA9234-0JH11
	Steel wrap-around lug with control wire tap (Cu cable only) kit of 4 single lugs	AWG 4	350 kcmil	—	✓	—	—	—	3VA9234-0JH12
		AWG 10	3/0	—	—	✓	—	—	3VA9144-0JH12
		AWG 4	350 kcmil	—	—	✓	—	—	3VA9244-0JH12
		1/0	500 kcmil	—	—	—	✓	—	3VA9474-0JH13
		AWG 10	3/0	—	✓	—	—	—	3VA9234-0JH11

### Aluminum Wire Connectors

	Aluminum body lug small (Cu/Al cable) kit of 3 single lugs	AWG 14	AWG 10	✓	—	—	—	—	3VA9133-0JB10
	Aluminum body lug small (Cu/Al cable) kit of 4 single lugs	AWG 14	AWG 10	✓	—	—	—	—	3VA9134-0JB10
	Aluminum body lug small with control wire tap (Cu/Al cable)	AWG 14	AWG 10	✓	—	—	—	—	3VA9133-0JG10
	Aluminum body lug small with control wire tap (Cu/Al cable)	AWG 14	AWG 10	✓	—	—	—	—	3VA9134-0JG10
	Aluminum body lug (Cu/Al cable) kit of 3 single lugs	AWG 14	3/0	✓	—	—	—	—	3VA9133-0JB11
		AWG 14	1/0	—	✓	—	—	—	3VA9233-0JB11
		AWG 6	350 kcmil	—	✓	—	—	—	3VA9233-0JB12 <sup>2)</sup>
		AWG 14	1/0	—	—	✓	—	—	3VA9143-0JB11 <sup>2)</sup>
		AWG 6	350 kcmil	—	—	✓	—	—	3VA9243-0JB12
	Aluminum body lug (Cu/Al cable) kit of 4 single lugs	AWG 1	600 kcmil	—	—	—	✓	—	3VA9373-0JB13 <sup>1)</sup>
		AWG 14	AWG 10	✓	—	—	—	—	3VA9134-0JB11
		AWG 14	1/0	—	✓	—	—	—	3VA9234-0JB11
		AWG 14	1/0	—	—	✓	—	—	3VA9144-0JB11 <sup>2)</sup>
		AWG 6	350 kcmil	—	✓	—	—	—	3VA9234-0JB12
	Aluminum body lug with control wire tap (Cu/Al cable) kit of 3 single lugs	AWG 6	350 kcmil	—	—	✓	—	—	3VA9244-0JB12 <sup>2)</sup>
		AWG 1	600 kcmil	—	—	—	✓	—	3VA9374-0JB13 <sup>1)</sup>
		AWG 14	3/0	✓	—	—	—	—	3VA9133-0JG11
		AWG 14	1/0	—	✓	—	—	—	3VA9233-0JG11
		AWG 6	350 kcmil	—	✓	—	—	—	3VA9233-0JG12
	Aluminum body lug with control wire tap (Cu/Al cable) kit of 4 single lugs	AWG 14	1/0	—	—	✓	—	—	3VA9143-0JG11 <sup>2)</sup>
		AWG 6	350 kcmil	—	—	✓	—	—	3VA9243-0JG12 <sup>2)</sup>
		AWG 1	600 kcmil	—	—	—	✓	—	3VA9373-0JG13 <sup>1)</sup>
		AWG 14	AWG 10	✓	—	—	—	—	3VA9134-0JG11
		AWG 14	1/0	—	✓	—	—	—	3VA9234-0JG11
	Aluminum body lug two cables (Cu/Al cable) kit of 3 single lugs	AWG 14	1/0	—	—	✓	—	—	3VA9144-0JG11 <sup>2)</sup>
		AWG 14	1/0	—	✓	—	—	—	3VA9234-0JG12
		AWG 6	350 kcmil	—	—	✓	—	—	3VA9244-0JG12 <sup>2)</sup>
		AWG 1	600 kcmil	—	—	—	✓	—	3VA9374-0JG13 <sup>1)</sup>
		4/0	600 kcmil	—	—	—	—	✓	3VA9573-0JB23
	Aluminum body lug two cables (Cu/Al cable) kit of 4 single lugs	4/0	600 kcmil	—	—	—	—	✓	3VA9574-0JB23

<sup>1)</sup>This conductor is ampere-rated at 380A with copper wire and 310A with aluminum wire.



<sup>2)</sup>Meets requirements of 100% rated breakers up to 150A.

# Molded Case Circuit Breakers

## 3VA Connection Technology

Selection

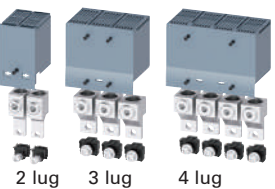
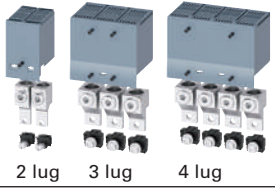
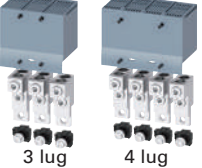
### Aluminum Wire Connectors (cont.)

	Type	Minimum cable cross-section (standard) Class B	Maximum cable cross-section (standard) Class B	For molded case circuit breakers/ rated current					Part Number
				3VA5 125A	3VA5 250A	3VA6 150A 250A	3VA5 3VA6 400A 600A	3VA5 3VA6 800A 1000A	
 <p>3 lug kit pictured</p>	Aluminum body lug two cables with control wire tap (Cu/Al cable) kit of 3 single lugs	4/0	600 kcmil	—	—	—	—	✓	3VA9673-0JG23
	Aluminum body lug two cables with control wire tap (Cu/Al cable) kit of 4 single lugs	4/0	600 kcmil	—	—	—	—	✓	3VA9674-0JG23
	Aluminum body lug three cables (Cu/Al cable) kit of 3 single lugs	4/0	400 kcmil	—	—	—	—	✓	3VA9673-0JB32
	Aluminum body lug three cables (Cu/Al cable) kit of 4 single lugs	4/0	400 kcmil	—	—	—	—	✓	3VA9674-0JB32
 <p>4 lug kit pictured</p>	Aluminum body lug three cables with control wire tap (Cu/Al cable) kit of 3 single lugs	4/0	400 kcmil	—	—	—	—	✓	3VA9673-0JG32
	Aluminum body lug three cables with control wire tap (Cu/Al cable) kit of 4 single lugs	4/0	400 kcmil	—	—	—	—	✓	3VA9674-0JG32

5

MOLDED CASE CIRCUIT BREAKERS

### Aluminum Wire Connectors and Terminal Covers

Type	Description	Min. cable cross-section (std.) Class B	Max. cable cross-section (std.) Class B	For molded case circuit breakers/ rated current					Part Number	Terminal Cover with Probe Holes Part Number	
				3VA5 125A	3VA5 250A	3VA6 150A 250A	3VA5 3VA6 400A 600A	3VA5 3VA6 800A 1000A			
 <p>2 lug 3 lug 4 lug</p>	Kit of 2 single lugs and 1 extended terminal cover	AWG 4	300 kcmil	✓	—	—	—	—	3VA9132-0JJ12		
	Kit of 3 single lugs and 1 extended terminal cover	AWG 4	300 kcmil	✓	—	—	—	—	3VA9133-0JJ12		
		AWG 2	350 kcmil	—	✓	—	—	—	3VA9233-0JJ13		
	Kit of 4 single lugs and 1 extended terminal cover	AWG 2	350 kcmil	—	—	✓	—	—	3VA9243-0JJ13 <sup>①</sup>		
		AWG 4	300 kcmil	✓	—	—	—	—	3VA9134-0JJ12		
		AWG 2	350 kcmil	—	✓	—	—	—	3VA9234-0JJ13		
 <p>2 lug 3 lug 4 lug</p>	Kit of 2 single lugs and 1 extended terminal cover	AWG 4	300 kcmil	✓	—	—	—	—	3VA9132-0JC12		
	Kit of 3 single lugs and 1 extended terminal cover	AWG 4	300 kcmil	✓	—	—	—	—	—	3VA9133-0JC12	3VA9133-0JC18
		AWG 2	350 kcmil	—	✓	—	—	—	—	3VA9233-0JC13	3VA9233-0JC18
		AWG 2	350 kcmil	—	—	✓	—	—	—	3VA9243-0JC13 <sup>①</sup>	3VA9243-0JC18
	Kit of 4 single lugs and 1 extended terminal cover	AWG 4	300 kcmil	✓	—	—	—	—	—	3VA9134-0JC12	
		AWG 2	350 kcmil	—	✓	—	—	—	—	3VA9234-0JC13	
 <p>3 lug 4 lug</p>	Kit of 3 single lugs and 1 extended terminal cover	AWG 4	300 kcmil	—	✓	—	—	—	3VA9233-0JJ22		
		AWG 4	300 kcmil	—	—	✓	—	—	—	3VA9243-0JJ22 <sup>①</sup>	
		2/0	600 kcmil	—	—	—	✓	—	—	3VA9473-0JJ23	
	Kit of 4 single lugs and 1 extended terminal cover	AWG 4	300 kcmil	—	—	✓	—	—	—	3VA9234-0JJ22	
		AWG 4	300 kcmil	—	✓	—	—	—	—	3VA9244-0JJ22 <sup>①</sup>	
		2/0	600 kcmil	—	—	—	✓	—	—	3VA9474-0JJ23	

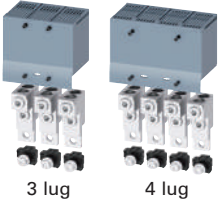


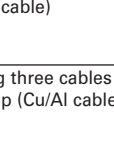


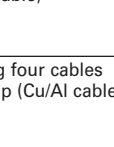

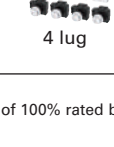
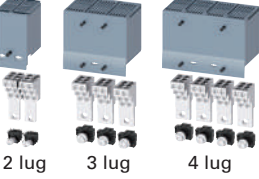
① Meets requirements of 100% rated breakers up to 250A.

# Molded Case Circuit Breakers

## 3VA Connection Technology

Selection

### Aluminum Wire Connectors and Terminal Covers (cont.)

Type	Description	Min. cable cross-section (std.) Class B	Max. cable cross-section (std.) Class B	For molded case circuit breakers/ rated current					Part Number	Terminal Cover with Probe Holes Part Number	
				3VA5 125A	3VA5 250A	3VA6 150A 250A	3VA5 400A 600A	3VA6 800A 1000A			
Aluminum body lug, 2 Cables with control wire tap (Cu/Al cable)  3 lug      4 lug	Kit of 3 single lugs and 1 extended terminal cover	AWG 4	300 kcmil	—	✓	—	—	—	3VA9233-0JC22	3VA9233-0JC28	
		AWG 4	300 kcmil	—	—	✓	—	—	3VA9243-0JC22 <sup>①</sup>	3VA9243-0JC28	
		2/0	600 kcmil	—	—	—	✓	—	3VA9473-0JC23	3VA9473-0JC28	
	Kit of 4 single lugs and 1 extended terminal cover	AWG 4	300 kcmil	—	✓	—	—	—	3VA9234-0JC22		
		AWG 4	300 kcmil	—	—	✓	—	—	3VA9244-0JC22 <sup>①</sup>		
		2/0	600 kcmil	—	—	—	✓	—	3VA9474-0JC23		
Aluminum body lug two cables (Cu/Al cable) 3 lug kit pictured 	Kit of 3 single lugs and 1 extended terminal cover	400 kcmil	750 kcmil	—	—	—	—	✓	3VA9673-0JJ24		
	Kit of 4 single lugs and 1 extended terminal cover	400 kcmil	750 kcmil	—	—	—	—	✓	3VA9674-0JJ24		
Aluminum body lug two cables with control wire tap (Cu/Al cable) 3 kit lug pictured 	Kit of 3 single lugs and 1 extended terminal cover	400 kcmil	750 kcmil	—	—	—	—	✓	3VA9673-0JC24		
	Kit of 4 single lugs and 1 extended terminal cover	400 kcmil	750 kcmil	—	—	—	—	✓	3VA9674-0JC24		
Aluminum body lug three cables (Cu/Al cable) 3 lug kit pictured 	Kit of 3 single lugs and 1 extended terminal cover	500 kcmil	750 kcmil	—	—	—	—	✓	3VA9673-0JJ34		
	Kit of 4 single lugs and 1 extended terminal cover	500 kcmil	750 kcmil	—	—	—	—	✓	3VA9674-0JJ34		
Aluminum body lug three cables with control wire tap (Cu/Al cable) 3 kit lug pictured 	Kit of 3 single lugs and 1 extended terminal cover	500 kcmil	750 kcmil	—	—	—	—	✓	3VA9673-0JC34		
	Kit of 4 single lugs and 1 extended terminal cover	500 kcmil	750 kcmil	—	—	—	—	✓	3VA9674-0JC34		
Aluminum body lug four cables (Cu/Al cable) 4 lug kit pictured 	Kit of 3 single lugs and 1 extended terminal cover	4/0	500 kcmil	—	—	—	—	✓	3VA9673-0JJ43		
	Kit of 4 single lugs and 1 extended terminal cover	4/0	500 kcmil	—	—	—	—	✓	3VA9674-0JJ43		
Aluminum body lug four cables with control wire tap (Cu/Al cable) 4 lug kit pictured 	Kit of 3 single lugs and 1 extended terminal cover	4/0	500 kcmil	—	—	—	—	✓	3VA9673-0JC43		
	Kit of 4 single lugs and 1 extended terminal cover	4/0	500 kcmil	—	—	—	—	✓	3VA9674-0JC43		
Aluminum body lug four cables (Cu/Al cable) 4 lug kit pictured 	Kit of 3 single lugs and 1 extended terminal cover	4/0	600 kcmil	—	—	—	—	✓	3VA9673-0JJ44		
	Kit of 4 single lugs and 1 extended terminal cover	4/0	600 kcmil	—	—	—	—	✓	3VA9674-0JJ44		
Aluminum body lug four cables with control wire tap (Cu/Al cable) 4 lug kit pictured 	Kit of 3 single lugs and 1 extended terminal cover	4/0	600 kcmil	—	—	—	—	✓	3VA9673-0JC44		
	Kit of 4 single lugs and 1 extended terminal cover	4/0	600 kcmil	—	—	—	—	✓	3VA9674-0JC44		
Distribution lug, 6 Cables (Cu/Al cable)  2 lug      3 lug      4 lug	Kit of 2 single lugs and 1 extended terminal cover	AWG 14	AWG 2	✓	—	—	—	—	3VA9132-0JF60		
	Kit of 3 single lugs and 1 extended terminal cover	AWG 14	AWG 2	✓	—	—	—	—	—	3VA9133-0JF60	3VA9133-0JF68
		AWG 2	—	✓	—	—	—	—	—	3VA9233-0JF60	3VA9233-0JF68
		AWG 2	—	—	✓	—	—	—	—	3VA9243-0JF60 <sup>②</sup>	3VA9243-0JF68
		AWG 2	—	—	—	✓	—	—	—	3VA9373-0JF60 <sup>③</sup>	3VA9373-0JF68
	Kit of 4 single lugs and 1 extended terminal cover	AWG 14	AWG 2	✓	—	—	—	—	—	3VA9134-0JF60	
		AWG 2	—	✓	—	—	—	—	—	3VA9234-0JF60	
		AWG 2	—	—	✓	—	—	—	—	3VA9244-0JF60 <sup>②</sup>	
AWG 2		—	—	—	✓	—	—	—	3VA9374-0JF60 <sup>③</sup>		

① Meets requirements of 100% rated breakers up to 250A.

② Meets requirements of 100% rated breakers up to 100A.








③ Meets requirements of 100% rated breakers up to 100A.

# Molded Case Circuit Breakers

## 3VA Connection Technology

Selection

### Copper Wire Connectors

	Type	Minimum cable cross-section (standard) Class B	Maximum cable cross-section (standard) Class B	For molded case circuit breakers/ rated current					Part Number
				3VA5 125A	3VA5 250A	3VA6 150A 250A	3VA5 3VA6 400A 600A	3VA5 3VA6 800A 1000A	
	Copper body lug, small (Cu cable only) Kit of 3 single lugs	AWG 14	AWG 10	✓	—	—	—	—	3VA9133-0JD10
	Copper body lug (Cu cable only) Kit of 3 single lugs	AWG 14	2/0	✓	—	—	—	—	3VA9133-0JD11
		AWG 14	1/0	—	✓	—	—	—	3VA9233-0JD11
		AWG 6	350 kcmil	—	✓	—	—	—	3VA9233-0JD12
		AWG 14	1/0	—	—	✓	—	—	3VA9143-0JD11
		AWG 6	350 kcmil	—	—	✓	—	—	3VA9243-0JD12
	Copper body lug, small (Cu cable only) Kit of 4 single lugs	AWG 14	AWG 10	✓	—	—	—	—	3VA9134-0JD10
		AWG 14	AWG 10	✓	—	—	—	—	3VA9134-0JD10
	Copper body lug (Cu cable only) kit of 4 single lugs	AWG 14	AWG 10	✓	—	—	—	—	3VA9134-0JD11
		AWG 14	1/0	—	✓	—	—	—	3VA9234-0JD11
		AWG 14	1/0	—	—	✓	—	—	3VA9144-0JD11
		AWG 6	350 kcmil	—	✓	—	—	—	3VA9234-0JD12
		AWG 6	350 kcmil	—	—	✓	—	—	3VA9244-0JD12
	Copper body lug, three cables (Cu cable) Kit of 3 single lugs	4/0	400 kcmil	—	—	—	—	✓	3VA9673-0JD32
		4/0	400 kcmil	—	—	—	—	✓	3VA9674-0JD32
		AWG 14	AWG 10	✓	—	—	—	—	3VA9133-0JK10
		AWG 14	2/0	✓	—	—	—	—	3VA9133-0JK11
		AWG 14	1/0	—	✓	—	—	—	3VA9233-0JK11
	Copper body lug with control wire tap (Cu cable only) Kit of 3 single lugs	AWG 6	350 kcmil	—	✓	—	—	—	3VA9233-0JK12
		AWG 14	1/0	—	—	✓	—	—	3VA9143-0JK11
		AWG 6	350 kcmil	—	—	✓	—	—	3VA9243-0JK12
		AWG 1	600 kcmil	—	—	—	✓	—	3VA9373-0JK13
		AWG 14	AWG 10	✓	—	—	—	—	3VA9134-0JK10
	Copper body lug, small with control wire tap (Cu cable only) Kit of 4 single lugs	AWG 14	AWG 10	✓	—	—	—	—	3VA9134-0JK10
		AWG 14	AWG 10	✓	—	—	—	—	3VA9134-0JK11
		AWG 14	1/0	—	✓	—	—	—	3VA9234-0JK11
		AWG 14	1/0	—	—	✓	—	—	3VA9144-0JK11
		AWG 6	350 kcmil	—	✓	—	—	—	3VA9234-0JK12
		AWG 6	350 kcmil	—	—	✓	—	—	3VA9244-0JK12
		AWG 1	600 kcmil	—	—	—	✓	—	3VA9374-0JK13
		400 kcmil	600 kcmil	—	—	—	—	✓	3VA9673-0JK32
		400 kcmil	600 kcmil	—	—	—	—	✓	3VA9674-0JK32
		400 kcmil	600 kcmil	—	—	—	—	✓	3VA9674-0JK32





# Molded Case Circuit Breakers




## 3VA Connection Technology

Selection

### Copper Wire Connectors (cont.)

	Type	Minimum cable cross-section (standard) Class B	Maximum cable cross-section (standard) Class B	For molded case circuit breakers/ rated current					Part Number
				3VA5 125A	3VA5 250A	3VA6 150A 250A	3VA5 3VA6 400A 600A	3VA5 3VA6 800A 1000A	
	Copper body lug, 2 Cables (Cu cable only) Kit of 3 single lugs and 1 extended terminal cover	2/0	600 kcmil	—	—	—	✓	—	3VA9473-0JE23
	Copper body lug 2 Cables (Cu cable only) Kit of 4 single lugs and 1 extended terminal cover	2/0	600 kcmil	—	—	—	✓	—	3VA9474-0JE23
	Copper body lug, four cables (Cu cable) Kit of 3 single lugs and 1 extended terminal cover	4/0	500 kcmil	—	—	—	—	✓	3VA9673-0JE43
	Copper body lug, four cables (Cu cable) Kit of 4 single lugs and 1 extended terminal cover	4/0	500 kcmil	—	—	—	—	✓	3VA9674-0JE43
	Copper body lug, four cables (Cu cable) Kit of 3 single lugs and 1 extended terminal cover	4/0	500 kcmil	—	—	—	—	✓	3VA9673-0JL43
	Copper body lug, four cables (Cu cable) Kit of 4 single lugs and 1 extended terminal cover	4/0	500 kcmil	—	—	—	—	✓	3VA9674-0JL43

### Nut Keeper Kits

	Type	Maximum terminal width	Maximum terminal thickness	For molded case circuit breakers/ rated current					Part Number
				3VA5 125A	3VA5 250A	3VA6 150A 250A	3VA5 3VA6 400A 600A	3VA5 3VA6 800A 1000A	
	Nut keeper kit kit of 3 single lugs	17 mm / 0.7 inch	6.5 mm / 0.25 inch	✓	—	—	—	—	3VA9133-0QA00
		25 mm / 1 inch	8 mm / 0.3 inch	—	✓	—	—	—	3VA9233-0QA00
		25 mm / 1 inch	8 mm / 0.3 inch	—	—	✓	—	—	3VA9243-0QA00
		35 mm / 1.4 inch	10 mm / 0.4 inch	—	—	—	✓	—	3VA9473-0QA00
	Nut keeper kit kit of 4 single lugs	17 mm / 0.7 inch	6.5 mm / 0.25 inch	✓	—	—	—	—	3VA9134-0QA00
		25 mm / 1 inch	8 mm / 0.3 inch	—	✓	—	—	—	3VA9234-0QA00
		25 mm / 1 inch	8 mm / 0.3 inch	—	—	✓	—	—	3VA9244-0QA00
		35 mm / 1.4 inch	10 mm / 0.4 inch	—	—	—	✓	—	3VA9474-0QA00
	Nut keeper kit kit of 3 single lug and terminal covers	50 mm / 2.0 inch	30 mm / 1.18 inch	—	—	—	—	✓	3VA9673-0QA00
	Nut keeper kit kit of 4 single lug and terminal covers	50 mm / 2.0 inch	30 mm / 1.18 inch	—	—	—	—	✓	3VA9674-0QA00

5  
MOLDED CASE  
CIRCUIT BREAKERS










# Molded Case Circuit Breakers

## 3VA Connection Technology

*Selection*

### Bus Connector Extensions





	Type	Maximum terminal width	Maximum terminal thickness	For molded case circuit breakers/ rated current					Part Number
				3VA5 125A	3VA5 250A	3VA6 150A 250A	3VA5 3VA6 400A 600A	3VA5 3VA6 800A 1000A	
	Front bus connectors extended 1 single connector	22 mm / 0.9 inch	8 mm / 0.3 inch	✓	—	—	—	—	3VA9131-0QB00
	Front bus connectors extended kit of 3 single connectors, 2 phase barriers, and 1 insulating plate	22 mm / 0.9 inch	8 mm / 0.3 inch	✓	—	—	—	—	3VA9133-0QB00
	Front bus connectors extended kit of 4 single connectors, 3 phase barriers, and 1 insulating plate	22 mm / 0.9 inch	8 mm / 0.3 inch	✓	—	—	—	—	3VA9133-0QB00
	Front bus connectors extended kit of 3 single connectors and 1 insulating plate	32 mm / 1.3 inch	10 mm / 0.4 inch	—	✓	✓	—	—	3VA9273-0QB00
		40 mm / 1.6 inch	12.5 mm / 0.5 inch	—	—	—	✓	—	3VA9473-0QB00
		50.8 mm / 2.0 inch	30 mm / 1.18 inch	—	—	—	—	✓	3VA9673-0QB00
	Front bus connectors extended kit of 4 single connectors and 1 insulating plate	32 mm / 1.3 inch	10 mm / 0.4 inch	—	—	✓	—	—	3VA9274-0QB00
		40 mm / 1.6 inch	12.5 mm / 0.5 inch	—	—	—	✓	—	3VA9474-0QB00
		50.8 mm / 2.0 inch	30 mm / 1.18 inch	—	—	—	—	✓	3VA9674-0QB00
	Front bus connectors offset kit of 3 single connectors 1 insulating plate Distance between pole centers: 400/600 A = 70 mm / 2.76 inches	60 mm / 2.4 inch	12.5 mm / 0.5 inch	—	—	—	✓	—	3VA9473-0QC00
		80 mm / 3.15 inch	30 mm / 1.18 inch	—	—	—	—	✓	3VA9673-0QC00
	Front bus connectors offset kit of 4 single connectors 1 insulating plate Distance between pole centers: 400/600 A = 70 mm / 2.76 inches	60 mm / 2.4 inch	12.5 mm / 0.5 inch	—	—	—	✓	—	3VA9474-0QC00
		80 mm / 3.15 inch	30 mm / 1.18 inch	—	—	—	—	✓	3VA9674-0QC00

# Molded Case Circuit Breakers





## 3VA Connection Technology

*Selection*

### Rear connection studs flat

	Type	For molded case circuit breakers/ rated current					Part Number
		3VA5 125A	3VA5 250A	3VA6 150A 250A	3VA5 3VA6 400A 600A	3VA5 3VA6 800A 1000A	
	Rear connection studs flat kit of 2 short flat studs and 1 long flat stud	✓	—	—	—	—	3VA9133-0QE00
		—	✓	—	—	—	3VA9233-0QE00
		—	—	✓	—	—	3VA9243-0QE00
		—	—	—	✓	—	3VA9473-0QE00
		—	—	—	—	✓	3VA9673-0QE00
	Rear connection studs flat kit of 2 short flat studs and 2 long flat studs	✓	—	—	—	—	3VA9134-0QE00
		—	✓	—	—	—	3VA9234-0QE00
		—	—	✓	—	—	3VA9244-0QE00
		—	—	—	✓	—	3VA9474-0QE00
		—	—	—	—	✓	3VA9674-0QE00
	Rear connection studs flat 1 short flat stud	✓	—	—	—	—	3VA9131-0QE10
		—	✓	—	—	—	3VA9231-0QE10
		—	—	✓	—	—	3VA9241-0QE10
		—	—	—	✓	—	3VA9471-0QE10
	Rear connection studs flat 1 long flat stud	✓	—	—	—	—	3VA9131-0QE20
		—	✓	—	—	—	3VA9231-0QE20
		—	—	✓	—	—	3VA9241-0QE20
		—	—	—	✓	—	3VA9471-0QE20

### Rear connection studs round

	Rear connection studs round kit of 1 long round stud and 2 short round studs	✓	—	—	—	—	3VA9133-0QF00
		—	✓	—	—	—	3VA9233-0QF00
		—	—	✓	—	—	3VA9243-0QF00
		—	—	—	✓	—	3VA9473-0QF00
	Rear connection studs round kit of 2 long round studs and 2 short round studs	✓	—	—	—	—	3VA9134-0QF00
		—	✓	—	—	—	3VA9234-0QF00
		—	—	✓	—	—	3VA9244-0QF00
		—	—	—	✓	—	3VA9474-0QF00
	Rear connection studs round 1 short round studs	✓	—	—	—	—	3VA9131-0QF10
		—	✓	—	—	—	3VA9231-0QF10
		—	—	✓	—	—	3VA9241-0QF10
		—	—	—	✓	—	3VA9471-0QF10
	Rear connection studs round 1 long round stud	✓	—	—	—	—	3VA9131-0QF20
		—	✓	—	—	—	3VA9231-0QF20
		—	—	✓	—	—	3VA9241-0QF20
		—	—	—	✓	—	3VA9471-0QF20

5




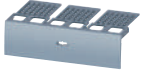





MOLDED CASE  
CIRCUIT BREAKERS

# Molded Case Circuit Breakers

## 3VA Connection Technology

*Selection*

Phase barriers, terminal covers, and insulating plates







	Type	For molded case circuit breakers/ rated current					Part Number	Terminal Cover with Probe Holes Part Number	
		3VA5 125A	3VA5 250A	3VA6 150A 250A	3VA5 3VA6 400A 600A	3VA5 3VA6 800A 1000A			
	Phase barriers kit of 2 phase barriers	✓	–	–	–	–	3VA9132-0WA00		
		–	✓	✓	–	–	3VA9272-0WA00		
		–	–	–	✓	–	3VA9472-0WA00		
		–	–	–	–	✓	3VA9672-0WA00		
	Terminal cover for 1-pole breakers	✓	–	–	–	–	3VA9131-0WD10		
	Terminal cover for 2-pole breakers	✓	–	–	–	–	3VA9131-0WD20		
	Terminal cover for 3-pole breakers	✓	–	–	–	–	3VA9131-0WD30		3VA9131-0WD31
		–	✓	✓	–	–	3VA9271-0WD30		3VA9271-0WD31
		–	–	–	✓	–	3VA9471-0WD30		3VA9471-0WD31
	Terminal cover for 4-pole breakers	✓	–	–	–	–	3VA9131-0WD40		
		–	–	✓	–	–	3VA9271-0WD40		
		–	–	–	✓	–	3VA9471-0WD40		
		–	–	–	–	✓	3VA9671-0WD40		
		–	–	–	–	✓	3VA9671-0WE30		
		–	–	–	–	✓	3VA9671-0WE40		
	Terminal cover extended for 2-pole breakers	✓	–	–	–	–	3VA9131-0WF20		
	Terminal cover extended for 3-pole breakers	✓	–	–	–	–	3VA9131-0WF30		3VA9131-0WF31
		–	✓	✓	–	–	3VA9271-0WF30		3VA9271-0WF31
		–	–	–	✓	–	3VA9471-0WF30		3VA9471-0WF31
		–	–	–	–	✓	3VA9671-0WF30		
	Terminal cover extended for 4-pole breakers	✓	–	–	–	–	3VA9131-0WF40		
		–	✓	✓	–	–	3VA9271-0WF40		
		–	–	–	✓	–	3VA9471-0WF40		
		–	–	–	–	✓	3VA9671-0WF40		
	Terminal cover offset for 3-pole breakers	–	–	–	✓	–	3VA9471-0WG30		
	Terminal cover offset for 4-pole breakers	–	–	–	✓	–	3VA9471-0WG40		

# Molded Case Circuit Breakers

## 3VA Connection Technology

*Selection*

Phase barriers, terminal covers, and insulating plates

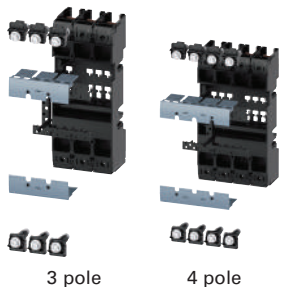
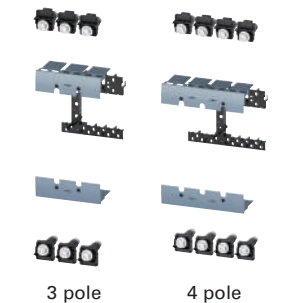
	Type	For molded case circuit breakers / rated current				Part Number
		3VA5 125A	3VA5 250A	3VA6 150A 250A	3VA5 3VA6 400A 600A	
	Rear insulating plate extended for 2-pole breakers	✓	–	–	–	3VA9131-0WJ20
	Rear insulating plate extended for 3-pole breakers	✓	–	–	–	3VA9131-0WJ30
		–	✓	✓	–	3VA9271-0WJ30
		–	–	–	✓	3VA9471-0WJ30
	Rear insulating plate extended for 4-pole breakers	✓	–	–	–	3VA9131-0WJ40
		–	–	✓	–	3VA9271-0WJ40
		–	–	–	✓	3VA9471-0WJ40
	Rear insulating plate offset for 3-pole breakers	–	–	–	✓	3VA9471-0WK30
	Rear insulating plate offset for 4-pole breakers	–	–	–	✓	3VA9471-0WK40
	Control wire tap for busbar (for fixed mounting)	–	✓	✓	–	3VA9270-0WC00
		–	–	–	✓	3VA9470-0WC00

# Molded Case Circuit Breakers



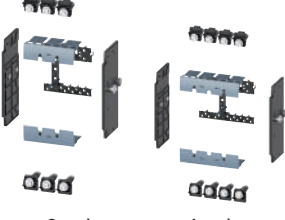
## 3VA Plug-in and Draw-out Technology

Selection

### Plug-in socket

	Type	For molded case circuit breakers / rated current			Part Number
		3VA61/62 150A/250A	3VA63 400A	3VA64 600A	
 <p>3 pole      4 pole</p>	Plug-in unit, 3-pole, complete kit Consists of: Plug-in socket, Plug-in unit, conversion kit, Mounting screw kit	✓	—	—	3VA9143-0KP00
		—	✓	—	3VA9343-0KP00
		—	—	✓	3VA9443-0KP00
	Plug-in unit, 4-pole, complete kit Consists of: Plug-in socket, Plug-in unit, conversion kit, Mounting screw kit	✓	—	—	3VA9144-0KP00
		—	✓	—	3VA9344-0KP00
		—	—	✓	3VA9444-0KP00
 <p>3 pole      4 pole</p>	Plug-in unit, 3-pole, conversion kit Consists of: Screw-fastened terminal covers for molded case circuit breakers, Plug-in contacts, Cable cage, Autotrip plunger	✓	—	—	3VA9143-0KP10
		—	✓	✓	3VA9343-0KP10
	Plug-in unit, 4-pole, conversion kit Consists of: Screw-fastened terminal covers for molded case circuit breakers, Plug-in contacts, Cable cage, Autotrip plunger	✓	—	—	3VA9144-0KP10
		—	✓	✓	3VA9344-0KP10

### Draw-out units

	Type	For molded case circuit breakers / rated current			Part Number
		3VA61/62 150A/250A	3VA63 400A	3VA64 600A	
 <p>ddd</p>	Draw-out unit, 3-pole, complete kit Consists of: Draw-out socket, Draw-out unit, conversion kit, Mounting screw kit	✓	—	—	3VA9143-0KD00
		—	✓	—	3VA9343-0KD00
		—	—	✓	3VA9443-0KD00
 <p>dddd</p>	Draw-out unit, 4-pole, complete kit Consists of: Draw-out socket, Draw-out unit, conversion kit, Mounting screw kit	✓	—	—	3VA9144-0KD00
		—	✓	—	3VA9344-0KD00
		—	—	✓	3VA9444-0KD00
 <p>3 pole      4 pole</p>	Draw-out unit, 3-pole, conversion kit Consists of: Screw-fastened terminal covers, Side wall, Plug-in contacts, Cable cage, Autotrip plunger	✓	—	—	3VA9143-0KD10
		—	✓	✓	3VA9343-0KD10
	Draw-out unit, 4-pole, conversion kit Consists of: Screw-fastened terminal covers, Side wall, Plug-in contacts, Cable cage, Autotrip plunger	✓	—	—	3VA9144-0KD10
		—	✓	✓	3VA9344-0KD10

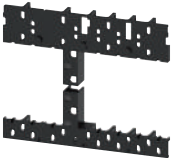





Note: Crank handle for the drawout unit must be ordered separately.

# Molded Case Circuit Breakers

## 3VA Plug-in and Draw-out Technology

*Selection*

### Accessories

	Type	For molded case circuit breakers / rated current		Part Number
		3VA61/62 150A/250A	3VA63/64 400A/600A	
		✓	—	3VA9167-0KB02
		—	✓	3VA9367-0KB02
	Door feedthrough	✓	—	3VA9147-0KT00
		—	✓	3VA9347-0KT00
	Autotrip plunger Plug-in unit	✓	—	3VA9267-0KP81
		—	✓	3VA9457-0KP81
	Autotrip plunger Draw-out unit	✓	—	3VA9267-0KD81
		—	✓	3VA9457-0KD81
	Terminal cover for plug-in/draw-out unit, 3-pole (spare part) To provide circuit breaker touch protection, for mounting on the molded case circuit breaker	✓	—	3VA9143-0KB01
		—	✓	3VA9343-0KB01
	Terminal cover for plug-in/draw-out unit, 4-pole (spare part) To provide circuit breaker touch protection, for mounting on the molded case circuit breaker	✓	—	3VA9144-0KB01
		—	✓	3VA9344-0KB01
	Crank handle for draw-out unit Insulated, including crank holder			3VA9987-0KD81



# Molded Case Circuit Breakers

## 3VA Plug-in and Draw-out Technology

*Selection*

### Other Accessories

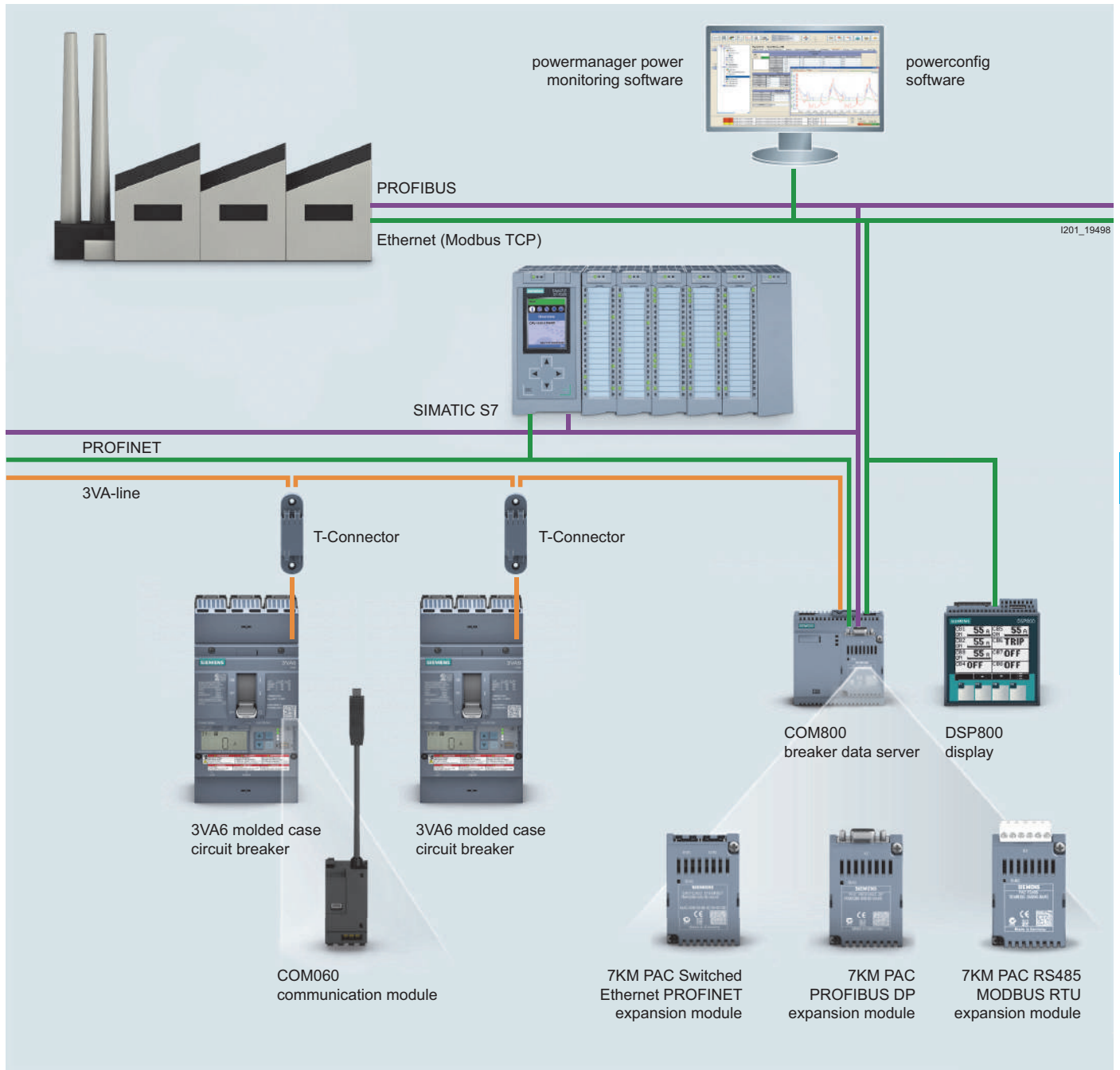
	Type	Part Number
	Communication link for draw-out unit Consists of: Cable kit with 3 special position signaling switches, connecting cable 3VA9987-0KC10	3VA9977-0KC00
	Position signaling switches For draw-out unit	3VA9977-0KB00
	Spare connecting cable To connect the position signaling switches for communication with the COM060	3VA9987-0KC10
	Auxiliary circuit connector ■ For draw-out units	3VA9977-0KD80
	Auxiliary circuit connector ■ For plug-in units	3VA9977-0KP80
	Cylinder lock (type Ronis) ■ Includes a lock with 2 keys ■ For locking ■ For installation in all rotary operators with shaft stub ■ For mounting in the adapter kit for the accessories component	3VA9980-0VL10
		3VA9980-0VL30
		3VA9980-0VL40
	Cylinder lock adapter for draw-out unit ■ For fitting a cylinder lock in the right-hand side wall of the draw-out unit ■ To prevent unauthorized withdrawal or insertion of the circuit breaker; ■ Circuit breaker can be locked in the CONNECT, TEST, or DISCONNECT position	3VA9970-0LF40

# Molded Case Circuit Breakers

## 3VA Communication and Testing/Commissioning Devices

Selection

Communications overview







5  
MOLDED CASE  
CIRCUIT BREAKERS

# Molded Case Circuit Breakers






## 3VA Communication and Testing/Commissioning Devices

*Selection*

### Modules

	Type	For molded case circuit breakers / rated current		Part Number
		3VA61/62 150A/250 A	3VA63/64/65/66 400A/600A 800A/1000A	
	24 V Module ■ 24 V DC ■ For mounting in the right-hand accessories compartment of the 3VA6 ■ Optional energy supply for the ETU, also includes continuous operation of the ETU display and the metering function of the ETU 8-series	✓	—	3VA9177-0TB50
		—	✓	3VA9377-0TB50
	COM060 communication module ■ For mounting in the right-hand accessories compartment of the 3VA6 molded case circuit breaker (including ETU power supply) ■ Communication with the COM800/COM100 breaker data server via the 3VA-line ■ Including a T-Connector	✓	—	3VA9177-0TB10
		—	✓	3VA9377-0TB10
	Spare SLC adapter COM060, 24 V module accessory for: ■ 3VA61/62 100/150/250	✓	—	3VA9187-0TB60
	Spare SLC adapter COM060, 24 V module accessory for: ■ 3VA63/64 400/600	—	✓	3VA9387-0TB60

### Breaker data server


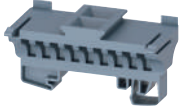







	Type	Part Number
	COM800 breaker data server ■ 2 terminating resistors ■ Central communication module for connecting up to eight 3VA6 molded case circuit breakers via the 3VA-line ■ Ethernet 10/100 Mbit/s interface ■ Module slot for plugging on an optional PROFIBUS DP, PROFINET or RS485 module	3VA9977-0TA10
	COM100 breaker data server ■ 2 terminating resistors ■ Central communication module for connecting one 3VA6 molded case circuit breaker ■ Ethernet 10/100 Mbit/s interface ■ Module slot for plugging on an optional PROFIBUS DP, PROFINET or RS485 module	3VA9977-0TA20
	7KM PAC PROFIBUS DP expansion module ■ The 7KM PAC PROFIBUS DP expansion module is used for connecting the COM800/COM100 breaker data server, and the 3VA molded case circuit breakers connected to it, to PROFIBUS DPV1 ■ The 7KM PAC PROFIBUS DP expansion module provides the status and measured quantities of the 3VA molded case circuit breaker for the PROFIBUS DP master. It receives information (e.g. commands) from the PROFIBUS DP master, and forwards this information to the 3VA molded case circuit breaker	7KM9300-0AB01-0AA0
	7KM PAC Switched Ethernet PROFINET expansion module ■ The 7KM PAC Switched Ethernet PROFINET expansion module is used to connect the COM800/COM100 breaker data server, and the connected 3VA molded case circuit breaker, to PROFINET via two Ethernet interfaces ■ The 7KM PAC Switched Ethernet PROFINET expansion module provides the status and measured quantities of the 3VA molded case circuit breaker to PROFINET via the PROFINET IO, PROFinenergy and Modbus TCP protocols	7KM9300-0AE01-0AA0
	7KM PAC RS485 Modbus RTU expansion module ■ The 7KM PAC RS485 Modbus expansion module is used to connect the COM800/COM100 breaker data server, and the 3VA molded case circuit breaker connected to it, to Modbus RTU ■ The 7KM PAC RS485 Modbus expansion module provides the status and measured quantities of the 3VA molded case circuit breaker for the Modbus RTU master. It receives information (e.g. commands) from the Modbus RTU master, and forwards this information to the 3VA molded case circuit breaker	7KM9300-0AM00-0AA0

# Molded Case Circuit Breakers

## 3VA Communication and Testing/Commissioning Devices

*Selection*

### Accessories for Communication



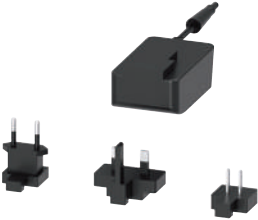

	Type	Part Number
	T-Connector <ul style="list-style-type: none"> <li>■ Spare part</li> <li>■ Provides spur line feeder to COM060 and loops to the next circuit breaker</li> <li>■ Includes a connection adapter for mounting on the 3VA6 breaker enclosure</li> </ul>	3VA9987-0TG10
	DIN rail adapter For snapping the T-Connector onto a DIN rail	3VA9987-0TG11
	Preassembled T-Connector-to-T-Connector or T-Connector-to-COM800/ COM100 connecting cable <ul style="list-style-type: none"> <li>■ 0.4 m long</li> </ul>	3VA9987-0TC10
	<ul style="list-style-type: none"> <li>■ 1 m long</li> </ul>	3VA9987-0TC20
	<ul style="list-style-type: none"> <li>■ 2 m long</li> </ul>	3VA9987-0TC30
	<ul style="list-style-type: none"> <li>■ 4 m long</li> </ul>	3VA9987-0TC40
	Preassembled connecting cable for extending the COM060-to-T-Connector spur line connection <ul style="list-style-type: none"> <li>■ 0.4 m long</li> </ul>	3VA9987-0TF20
	<ul style="list-style-type: none"> <li>■ 0.8 m long</li> </ul>	3VA9987-0TF10
	Additional bus terminating resistors	3VA9987-0TE10
	Voltage tap to external N conductor Cable for connecting the neutral point for the metering function of the 8-Series ETU, length 1.5 m	3VA9987-0UC10
	External current transformer as straight-through transformer. Connection of an external current transformer for the N conductor for 3-pole 3VA6 molded case circuit breakers for 5-series and 8-series ETUs (ETU850, ETU856, ETU860), including connecting cable	3VA9077-0NA10
	<ul style="list-style-type: none"> <li>■ In = 25 ... 150A</li> </ul>	3VA9177-0NA10
	<ul style="list-style-type: none"> <li>■ In = 160 ... 350 A</li> </ul>	3VA9377-0NA10
	<ul style="list-style-type: none"> <li>■ In = 400 ... 630 A</li> </ul>	3VA9677-0NA10
	DSP800 display <ul style="list-style-type: none"> <li>■ For displaying the status, measured values and parameters of up to 8 3VA6 molded cases circuit breakers</li> </ul>	3VA9977-0TD10
	<ul style="list-style-type: none"> <li>■ Connection to the COM800/COM100 via Ethernet for displaying information of the COM800/COM100 and the connected 3VA6 molded case circuit breaker</li> </ul>	
	EFB300 <ul style="list-style-type: none"> <li>■ External function box for connection to the ETU of the 3VA6 molded case circuit breaker</li> <li>■ 4 digital outputs for information output, 1 digital input</li> <li>■ ZSI functionality</li> <li>■ S0 interface</li> <li>■ Including cable 1.5 m in length</li> </ul>	3VA9977-0UA10
	Connecting cable for EFB300 and MMB300. Spare part <ul style="list-style-type: none"> <li>■ 1.5 m long</li> </ul>	3VA9987-0UB10
	<ul style="list-style-type: none"> <li>■ 3.0 m long</li> <li>■ 3.0 m long for 3VA with EFB and RCD820</li> </ul>	3VA9987-0UB20 3VA9987-0UB30

# Molded Case Circuit Breakers


## 3VA Communication and Testing/Commissioning Devices

*Selection*

### Test devices

	Type	Part Number
	<p>TD300</p> <ul style="list-style-type: none"> <li>■ Connection to the front interface of the ETU</li> <li>■ Test device for activating the ETU and triggering a test trip</li> </ul>	3VA9977-0MA10
	<p>TD500</p> <ul style="list-style-type: none"> <li>■ Connection to the front interface of the ETU</li> <li>■ Initiation of various test trips (LSING)</li> <li>■ USB interface for connection of a PC using powerconfig</li> <li>■ ETU parameterization</li> <li>■ Including external power supply unit with adapter for Europe, UL and GB</li> <li>■ Including connecting cable to the 3VA6 molded case circuit breaker</li> </ul>	3VA9977-0MB10
	<p>Spare part: External power supply for TD500 110 ... 240 V AC</p>	3VA9987-0MX10
	<p>Spare part: Cable for connecting to the TD500 to the 3VA6 molded case circuit breaker</p>	3VA9977-0MY10

### Maintenance Mode Box










	<p>MMB300</p> <ul style="list-style-type: none"> <li>■ Realization of the NEC 240.87 (Arc Energy Reduction) -&gt; personal protection during maintenance work</li> <li>■ Switch into maintenance mode by changing the I- and G-protection to the lowest possible value through an external signal (e.g. door contact)</li> <li>■ Available for all 3VA6 circuit breakers with electronic trip unit</li> <li>■ Daisy chain up to 8 circuit breakers equipped with MMB300</li> <li>■ Additional digital output (D01) for ETU signals available</li> <li>■ Capable of DIN rail mounting</li> <li>■ Includes cable 1.5m in length</li> </ul>	3VA9977-0UF10
---	--	---------------

# Molded Case Circuit Breakers

## 3VA Accessories and Spare Parts

*Selection*

### Locking, Blocking, & Interlocking

	Type	For molded case circuit breakers/ rated current						Part Number	
		3VA4 125A	3VA5 125A	3VA5 250A	3VA6 150A 250A	3VA5 3VA6 400A 600A	3VA5 3VA6 800A 1000A		
	Blocking device for the handle	-	✓	-	-	-	-	3VA9038-0LB10	
		-	-	✓	✓	✓	-	3VA9378-0LB10	
 3VA5/3VA6    3VA4	Padlock device for the handle	✓	-	-	-	-	-	3VA9038-0LB11	
		-	-	✓	✓	-	-	3VA9138-0LB11	
		-	-	-	-	✓	-	3VA9338-0LB11	
		-	-	-	-	-	✓	3VA9578-0LB10	
	Adapter kit for mounting the cylinder lock (type Ronis) in the accessories compartment of the molded case circuit breaker. Comprising 2 cylinder lock casings (one for locking and one for interlocking) and the appropriate mounting module <ul style="list-style-type: none"> <li>To implement an interlock or a lock: select suitable cylinder lock(s)</li> <li>For an interlock: select the same cylinder lock number</li> </ul>	-	✓	-	-	-	-	3VA9137-0LF10	
		-	-	✓	-	-	-	-	3VA9237-0LF10
		-	-	-	✓	-	-	-	3VA9147-0LF10
		-	-	-	-	✓	-	-	3VA9347-0LF10
		-	-	-	-	-	✓	-	3VA9577-0LF10
	Cylinder lock (type Ronis) <ul style="list-style-type: none"> <li>Includes a lock with 2 keys</li> <li>For locking or interlocking</li> <li>For installation in all rotary operators with shaft stub</li> <li>For mounting in the adapter kit for the accessories compartment</li> </ul>	-	✓	✓	✓	✓	-	3VA9980-0VL10	
		-	✓	✓	✓	✓	-	3VA9980-0VL30	
		-	✓	✓	✓	✓	-	3VA9980-0VL40	
		-	-	-	-	-	-	-	-
	Sliding bar Complete kit for interlocking 2 circuit breakers <ul style="list-style-type: none"> <li>The article number must be ordered 2X to implement an interlock between 3 breakers of the same size</li> </ul>	-	✓	-	-	-	-	3VA9138-0VF30	
		-	-	✓	-	-	-	3VA9238-0VF30	
		-	-	-	✓	-	-	3VA9148-0VF30	
		-	-	-	-	✓	-	3VA9348-0VF30	
	Module for handle interlock using a bowden cable <ul style="list-style-type: none"> <li>A separate handle interlock module is required for each switching device</li> <li>A Bowden cable must be ordered separately</li> </ul>	-	✓	-	-	-	-	3VA9137-0VF10	
		-	-	✓	-	-	-	3VA9237-0VF10	
		-	-	-	✓	-	-	3VA9147-0VF10	
		-	-	-	-	✓	-	3VA9347-0VF10	
		-	-	-	-	-	✓	3VA9577-0VF10	
	Rear interlock with rod Complete Kit <ul style="list-style-type: none"> <li>Mounting frames are not included in scope of supply</li> </ul>	-	✓	✓	✓	✓	-	3VA9078-0VM10	
	Rear interlock with rod Complete Kit <ul style="list-style-type: none"> <li>Mounting frames are included in scope of supply</li> </ul>	-	-	-	-	-	✓	3VA9578-0VM10	
	Rear interlock with rod Complete Kit for plug-in/draw-out unit <ul style="list-style-type: none"> <li>Mounting frames are not included in scope of supply</li> </ul>	-	✓	✓	✓	✓	-	3VA9078-0VM30	

5  
MOLDED CASE  
CIRCUIT BREAKERS





# Molded Case Circuit Breakers



## 3VA Accessories for Locking, Blocking and Interlocking

*Selection*

### Locking, Blocking, & Interlocking

	Type	For molded case circuit breakers/ rated current					Part Number
		3VA5 125A	3VA5 250A	3VA6 150A 250A	3VA5 3VA6 400A 600A	3VA5 3VA6 800A 1000A	
	Bowden cable						
	▪ Length 0.6 m	✓	✓	✓	✓	—	3VA9980-0VC10
	▪ Length 1.0 m	✓	✓	✓	✓	—	3VA9980-0VC20
	▪ Length 1.5 m	✓	✓	✓	✓	—	3VA9980-0VC30
	Mounting frame for rear interlock with rod <sup>①②</sup> The following are required for the complete mounting frame kit:						
	▪ Profile poles	✓	✓	✓	✓	—	3VA9078-0VK10
	▪ Mounting Plates	✓	—	—	—	—	3VA9138-0VK20
		—	✓	—	—	—	3VA9238-0VK20
		—	—	✓	—	—	3VA9248-0VK20
		—	—	—	✓	—	3VA9448-0VK20

### Cover frame for door cut-out

	Cover frame for door cut-out for molded case circuit breaker ▪ 3-pole, door cut-out without trip unit	✓	—	—	—	—	3VA9033-0SB10
		—	✓	✓	—	—	3VA9143-0SB10
		—	—	—	✓	—	3VA9373-0SB10
		—	—	—	—	✓	3VA9583-0SB10
	Cover frame for door cut-out for molded case circuit breaker ▪ 3-pole, door cut-out with trip unit	✓	—	—	—	—	3VA9033-0SB20
		—	✓	—	—	—	3VA9233-0SB20
		—	—	✓	—	—	3VA9143-0SB20
		—	—	—	✓	—	3VA9343-0SB20
		—	—	—	—	✓	3VA9583-0SB20
	Cover frame for door cut-out for molded case circuit breaker ▪ 4-pole, door cut-out without trip unit	✓	—	—	—	—	3VA9034-0SB10
		—	✓	✓	—	—	3VA9144-0SB10
		—	—	—	✓	—	3VA9374-0SB10
		—	—	—	—	✓	3VA9584-0SB10
		—	—	—	—	—	3VA9034-0SB20
	Cover frame for door cut-out for molded case circuit breaker ▪ 4-pole, door cut-out with trip unit	✓	—	—	—	—	3VA9034-0SB20
		—	✓	—	—	—	3VA9234-0SB20
		—	—	✓	—	—	3VA9144-0SB20
		—	—	—	✓	—	3VA9344-0SB20
		—	—	—	—	✓	3VA9584-0SB20
Cover frame for door cut-out for MO320 motor operators	✓	—	—	—	—	3VA9033-0SB10	
	—	✓	✓	—	—	3VA9237-0SB30	
	—	—	—	✓	—	3VA9377-0SB30	
Cover frame for door cut-out for front mounted rotary operators	✓	—	—	—	—	3VA9033-0SB10	
	—	✓	✓	—	—	3VA9143-0SB10	
	—	—	—	✓	—	3VA9373-0SB10	
Cover frame for door cut-out for front mounted rotary operator with door interlock	—	—	—	✓	—	3VA9377-0SB30	
	—	—	—	—	✓	3VA9583-0SB50	
Cover frame for door cut-out for door feedthrough	—	✓	✓	—	—	3VA9233-0SB20	
	—	—	—	✓	—	3VA9333-0SB20	
	Labeling plate for cover frame						3VA9087-0SX10

① 2 mounting plates are required. They are screwed onto the profile rail that can be ordered above. Different breakers can be mutually interlocked.



② Breakers with plug-in unit can be mounted on the mounting plates, but the profile rails cannot be used.

# Molded Case Circuit Breakers

## 3VA Accessories and Spare Parts

*Selection*

### Other accessories

	Type	For molded case circuit breakers/ rated current					Part Number
		3VA5 125A	3VA5 250A	3VA6 150A 250A	3VA5 3VA6 400A 600A	3VA5 3VA6 800A 1000A	
	Busbar adapter system with 60 mm busbar center-to-center spacing 3-pole	✓	—	—	—	—	8US1211-4SS00 <sup>①</sup>
		—	✓	✓	—	—	8US1213-4AP03 <sup>②</sup>
		—	—	—	✓	—	8US1213-4AH04 <sup>②</sup>
	Busbar adapter system with 60 mm busbar center to center spacing, bottom connection, 3-pole  Busbar adapter designed for 3VA breaker used as a main	✓	—	—	—	—	8US1215-4SS00
		—	—	—	—	—	—
	Metric mounting screw kit For fixed mounted breakers 1-pole	✓	—	—	—	—	3VA9151-0SS10
	Metric mounting screw kit (2 pcs) For fixed mounted breakers 2-pole	✓	—	—	—	—	3VA9116-0SS10
	Metric mounting screw kit (4 pcs) For fixed mounted breakers 3-,4-pole	✓	✓	—	—	—	3VA9114-0SS10
	Metric mounting screw kit For fixed mounted breakers 3-pole	—	—	✓	—	—	3VA9126-0SS10
	Metric mounting screw kit For fixed mounted breakers 4-pole	—	—	✓	—	—	3VA9124-0SS10
	Metric mounting screw kit For fixed mounted breakers 3-,4-pole	—	—	—	✓	—	3VA9328-0SS10
	Metric mounting screw kit For plug-in and draw-out unit	—	—	✓	—	—	3VA9124-0SS10
	SAE mounting screw kit (2 pcs) For fixed mounted breakers 1-pole	✓	—	—	—	—	3VA9151-0SS00
	SAE Mounting screw kit (2 pcs) For fixed mounted breakers 2-,3-pole	✓	—	—	—	—	3VA9156-0SS00
	SAE Mounting screw kit (4 pcs) For fixed mounting breakers 4-pole	✓	—	—	—	—	3VA9154-0SS00
	SAE Mounting screw kit (4 pcs) For fixed mounted breakers 3-,4-pole and 3VA6 150/250 plug-in and draw-out units	—	✓	✓	—	—	3VA9164-0SS00
	SAE Mounting screw kit (2 pcs) For fixed mounted breakers 2-,3-pole	—	✓	✓	—	—	3VA9166-0SS00
	SAE Mounting screw kit (4 pcs) For fixed mounted breakers 2-,3-,4-pole and 3VA6 400/600 plug-in and draw-out units	—	—	—	✓	—	3VA9368-0SS00
	Replacement handle extension accessory	—	—	—	✓	—	3VA9487-0SC10

<sup>①</sup> Busbar adapter designed for 3VA breaker used as a feeder.



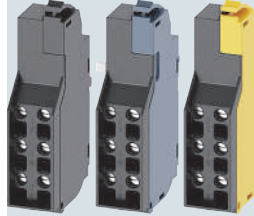
<sup>②</sup> Busbar adapter designed for 3VA breaker used as either a main or feeder.

# Molded Case Circuit Breakers

## 3VA Accessory Electrical Requirements

Technical data

Auxiliary switches electrical requirements

		Auxiliary switches and alarm switches HQ				Auxiliary switches and alarm switches HQ_electronic				Auxiliary switches and alarm switches HP			
													
		AUX	LCS	TAS	EAS	AUX	LCS	TAS	EAS	AUX	LCS	TAS	
Rated operational voltage	$U_e$	V AC 50 Hz	240			24				600			
		V DC	250			24				250			
Conventional free-air thermal current	$I_{th} = I_e$	A	6			0.3				10			
IEC Ratings Listed	AC-12	12 V	A	6		0.3				10			
		24 V	A	6		0.3				10			
		48 V	A	6		--				10			
		125 V	A	6		--				10			
		220/240 V	A	6		--				10			
		380/440 V	A	--		--				6			
	600 V	A	--		--				2				
	AC-15	12 V	A	3			0.3				6		
		2/4 V	A	3			0.3				6		
		48 V	A	3			--				6		
		125 V	A	3			--				6		
		220/240 V	A	3			--				6		
		380/440 V	A	--		--					2		
	600 V	A	--		--					0.6			
	DC-12	12 V	A	6			0.1				6		
24 V		A	4			0.1				6			
48 V		A	2			--				2			
110 V		A	0.5			--				0.6			
250 V		A	0.25			--				0.3			
DC-13	12 V	A	1			0.07				3			
	24 V	A	0.8			0.07				3			
	48 V	A	0.4			--				0.8			
	110 V	A	0.2			--				0.2			
	250 V	A	0.1			--				0.1			
Max. rated current (UL/CSA)	Inductive load (0.75-0.8 AC)	24 V	A	3		0.3				6			
		300 V	A	3		--				6			
		600 V	A	--		--				6			
	Pilot duty (AC)	24 V	A	3			--				6		
		127 V	A	3			--				6		
		240 V	A	3			--				3		
		480 V	A	--			--				1.5		
		600 V	A	--			--				1.2		
	Resistive load (DC)	24 V	A	0.25			0.1				0.3		
		250 V	A	0.25			--				0.3		
Resistive load - pilot duty sequence (DC)	125 V	A	0.6			--				0.9			
	250 V	A	0.3			--				0.55			
Minimum load	At 24 V DC	mA	70			0.5				70			
	At 5 V DC	mA	--			1				--			

# Molded Case Circuit Breakers

## 3VA Accessory Electrical Requirements

Technical data

Shunt trip/undervoltage electrical requirements





				Shunt trip left STL	Shunt trip flexible STF	Undervoltage releases UVR	Universal release UNI
<b>Power consumption <math>U_e</math></b>	12	V DC	W	50	--	--	--
	24	50 V AC/60 Hz	VA	50	--	--	--
	24 ... 30	V DC	W	7 ... 50	--	--	--
	48 ... 60	50 V AC/60 Hz	VA	15 ... 20	--	--	--
	48 ... 60	V DC	W	20 ... 30	--	--	--
	110 ... 127	50 V AC/60 Hz	VA	30 ... 40	--	--	--
	110 ... 127	V DC	W	30 ... 40	--	--	--
	208 ... 277	50 V AC/60 Hz	VA	16 ... 35	--	--	--
	220 ... 250	V DC	W	28 ... 35	--	--	--
	380 ... 600	50 V AC/60 Hz	VA	10 ... 30	--	--	--
	24	50 V AC/60 Hz	VA	--	300	--	--
	48 ... 60	50 V AC/60 Hz	VA	--	340 ... 600	--	--
	110 ... 127	50 V AC/60 Hz	VA	--	500 ... 650	--	--
	208 ... 277	50 V AC/60 Hz	VA	--	360 ... 650	--	--
	380 ... 500	50 V AC/60 Hz	VA	--	330 ... 600	--	--
	600	50 V AC/60 Hz	VA	--	300	--	--
	12	V DC	W	--	--	< 2.5	--
	24	V DC	W	--	--	< 2.5	--
	48	V DC	W	--	--	< 2.5	--
	60	V DC	W	--	--	< 2.5	--
125 ... 127	V DC	W	--	--	< 2.5	--	
220 ... 230	V DC	W	--	--	< 2.5	--	
250	V DC	W	--	--	< 2.5	--	
24	50 V AC/60 Hz	VA	--	--	< 2	--	
48	50 V AC/60 Hz	VA	--	--	< 2	--	
60	50 V AC/60 Hz	VA	--	--	< 2	--	
110	50 V AC/60 Hz	VA	--	--	< 2	--	
120 ... 127	50 V AC/60 Hz	VA	--	--	< 2	--	
208 ... 230	50 V AC/60 Hz	VA	--	--	< 2	--	
380 ... 400	50 V AC/60 Hz	VA	--	--	< 2.5	--	
440 ... 480	50 V AC/60 Hz	VA	--	--	< 2.5	--	
12	V DC (Cat II; PELV/SELV)	W	--	--	--	UVR: < 2.5 SHT: 20	
24	V DC (Cat II; PELV/SELV)	W	--	--	--	UVR: < 2.5 SHT: 20	
48	V DC (Cat II; PELV/SELV)	W	--	--	--	UVR: < 2.5 SHT: 20	

# Molded Case Circuit Breakers

## 3VA Accessory Electrical Requirements

Technical data

### Shunt trip/undervoltage electrical requirements

				Shunt trip left STL	Shunt trip flexible STF	Undervoltage releases UVR	Universal release UNI
							
Rated impulse withstand voltage	$U_{imp}$	kV	6			4	0.5
Making current	$I_{max}$	at V	1.5 A/24 V AC	18 A/24 V AC	5 mA/480 V	1.5 A/24 V	
Maximum tripping time		ms	< 10				
Service life	Electrical trips		8500				
	Mechanical switching cycles of the circuit breaker		25000				
Priority over other control signals			Given				
Degree of protection	Lid of the accessories compartment closed		IP40				
	Lid of the accessories compartment open		IP 20				
Minimum signal duration		ms	40	40	--	40	
Response voltage shunt trip	Pick-up (circuit breaker trips)	Us/V	%	70 ... 110	--	--	70 ... 110
Undervoltage release response voltage	Pick-up (circuit breaker can be switched on)	Us/V	%	--	--	85 ... 110	
	Pick-up (circuit breaker trips)	Us/V	%	--	--	35 ... 70	
Tripping frequency	Trips per hour		Unlimited	120	Unlimited		
Can be used for electrical interlocking of molded case circuit breakers			No	No	Yes		

### Motor operator electrical requirements

MO320 motor operator	3VA5	3VA5	3VA6	3VA5 3VA6
	125 A	250 A	150 A/ 250 A	400 A/ 600 A
Degree of protection	NEMA 1			
Rated control supply voltage (operating range of control supply voltage)	24 V ... 60 V DC (0.85 ... 1.26) 110 V ... 230 V AC/ 110 V ... 250 V DC (0.85 ... 1.1)			
Rating	250 W, max. 500 W (60 ms)			
Make time, typically	< 800 ms	< 1000 ms		< 1700 ms
Break time, typically	< 800 ms	< 1000 ms		< 1400 ms



# Molded Case Circuit Breakers

## ED 125A Frame Sentron Series

Selection

### Ordering Instructions

- All ED Frame Sentron circuit breakers are supplied with load side lugs. If line side lugs are required, add "L" suffix to catalogue number. Consult Siemens sales office for any additional charge.
- 50°C Calibration, 400HZ - see page 5-150. All ED frame circuit breakers may be reverse connected.

### Type ED2<sup>⑤</sup>

Blue Label

Continuous Current Rating @ 40°C	1-Pole		2-Pole		3-Pole
	120V AC	125V DC	240V AC	125V DC 250V DC	240V AC
	Catalogue Number		Catalogue Number		Catalogue Number
15	ED21B015 <sup>④</sup>		—		ED23B015
20	ED21B020 <sup>④</sup>		ED22B020		ED23B020
25	ED21B025		ED22B025		ED23B025
30	ED21B030		ED22B030		ED23B030
35	ED21B035		ED22B035		ED23B035
40	ED21B040		ED22B040		ED23B040
45	ED21B045		ED22B045		ED23B045
50	ED21B050		ED22B050		ED23B050
60	ED21B060		ED22B060		ED23B060
70	ED21B070		ED22B070		ED23B070
80	ED21B080		ED22B080		ED23B080
90	ED21B090		ED22B090		ED23B090
100	ED21B100		ED22B100		ED23B100

### Shipping Weights

Number of Poles	Number per Carton	Shipping Weight (lbs.)
<b>ED2, ED4, ED6, HED4</b>		
1	30	38
2	10	25
3	10	38
<b>CED6</b>		
2	5	20
3	5	30

### Lugs

Ampere Rating	No. of Poles	Catalogue Number	Wire Range
<b>Aluminum Body Lugs</b>			
All 15–25A	1, 2, 3	Line/Load <b>SA1E025</b>	#14–#10 Cu #12–#10 Al
All 30–100A	1, 2, 3	Line Side <b>LN1E100</b>	#10–1/0 Cu/Al
ED2, 4, CED6 30–60A	1	Load Side <b>LD1E060</b>	#10–#4 Cu/Al
ED2, 4, CED6 70–100A	1	Load Side <b>LD1E100</b>	#6–#1/0 Cu/Al
ED2, 4, 6, HED4 30–100A	2, 3	Load Side <b>LN1E100</b>	#10–1/0 Cu/Al
All 110, 125A	2, 3	Line/Load <b>TA1E6125</b>	#3–3/0 Cu #1–2/0 Al
<b>Copper Body Lugs</b>			
All 30–125A only	1, 2, 3	Line/Load <b>TC1ED6150<sup>③</sup></b>	#10–1/0 Cu
<b>Compression Lugs</b>			
All ED, CED		<b>CCE125</b>	2/0

### Type ED4<sup>⑤</sup>

Blue Label

Continuous Current Rating @ 40°C	1-Pole		2-Pole		3-Pole
	120V AC	125V DC	480V AC	250V DC	480V AC
	Catalogue Number		Catalogue Number		Catalogue Number
15	ED41B015 <sup>④</sup>		—		ED43B015
20	ED41B020 <sup>④</sup>		ED42B020		ED43B020
25	ED41B025		ED42B025		ED43B025
30	ED41B030		ED42B030		ED43B030
35	ED41B035		ED42B035		ED43B035
40	ED41B040		ED42B040		ED43B040
45	ED41B045		ED42B045		ED43B045
50	ED41B050		ED42B050		ED43B050
60	ED41B060		ED42B060		ED43B060
70	ED41B070		ED42B070		ED43B070
80	ED41B080		ED42B080		ED43B080
90	ED41B090		ED42B090		ED43B090
100	ED41B100		ED42B100		ED43B100
110	—		ED42B110		ED43B110
125	—		ED42B125		ED43B125

### Type ED6<sup>⑤</sup>

Blue Label

Continuous Current Rating @ 40°C	1-Pole		2-Pole		3-Pole	
	347V AC		600V AC	250V DC	600V AC	500V DC
	Catalogue Number		Catalogue Number		Catalogue Number	
15	ED61B015		—		ED63B015	
20	ED61B020		ED62B020		ED63B020	
25	ED61B025		ED62B025		ED63B025	
30	ED61B030		ED62B030		ED63B030	
35	ED61B035		ED62B035		ED63B035	
40	ED61B040		ED62B040		ED63B040	
45	ED61B045		ED62B045		ED63B045	
50	ED61B050		ED62B050		ED63B050	
60	ED61B060		—		ED63B060	
70	ED61B070		—		ED63B070	
80	ED61B080		—		ED63B080	
90	ED61B090		—		ED63B090	
100	ED61B100		—		ED63B100	
110	—		—		ED63B110	
125	—		—		ED63B125	

**Note:** ED frame circuit breakers qualified to UL 489 Supplement SB "Naval" — See page 5-137 for additional information

①CSA Certified only (Not UL)

②For CED types and all 110–125 ampere ED frames.

③See **Note: A**, page 5-150.

④SWD rated.  
⑤ HACR rated.

Modifications page 5-147  
Accessories page 5-151 - 5-159



# Molded Case Circuit Breakers

## ED 125A Frame Sentron Series

Selection

Type HED4<sup>®</sup>

Black Label

Continuous Current Rating @ 40°C	1-Pole		2-Pole		3-Pole
	277V AC	125V DC	480V AC	250V DC	480V AC
	Catalogue Number		Catalogue Number		Catalogue Number
15	HED41B015 <sup>①</sup>		HED42B015		HED43B015
20	HED41B020 <sup>①</sup>		HED42B020		HED43B020
25	HED41B025		HED42B025		HED43B025
30	HED41B030		HED42B030		HED43B030
35	HED41B035		HED42B035		HED43B035
40	HED41B040		HED42B040		HED43B040
45	HED41B045		HED42B045		HED43B045
50	HED41B050		HED42B050		HED43B050
60	HED41B060		HED42B060		HED43B060
70	HED41B070		HED42B070		HED43B070
80	HED41B080		HED42B080		HED43B080
90	HED41B090		HED42B090		HED43B090
100	HED41B100		HED42B100		HED43B100
110	—		HED42B110		HED43B110
125	—		HED42B125		HED43B125

Fuseless Current Limiting

Type CED6

Red Label

Continuous Current Rating @ 40°C	2-Pole		3-Pole
	600V AC, 250V DC		600V AC, 500V DC <sup>②</sup>
	Catalogue Number		Catalogue Number
15	—		CED63B015
20	CED62B020		CED63B020
25	—		—
30	CED62B030		CED63B030
35	—		—
40	CED62B040		CED63B040
45	—		—
50	CED62B050		CED63B050
60	CED62B060		CED63B060
70	CED62B070		CED63B070
80	CED62B080		CED63B080
90	CED62B090		CED63B090
100	CED62B100		CED63B100
110	—		CED63B110
125	CED62B125		CED63B125

FIGURE 1 - ED, HED, HHED

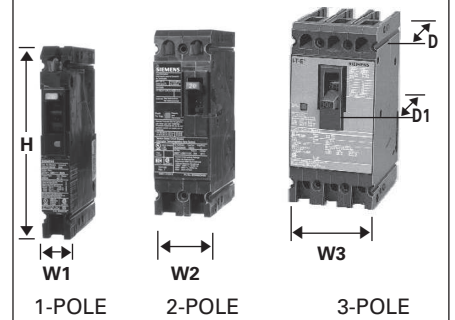
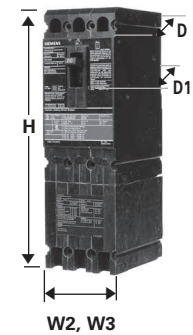


FIGURE 2 - CED (3-Pole shown)



Dimensions (in inches)

Breaker Type	W1	W2	W3	H	D	D1
Figure 1 ED2, ED4, ED6, HED4, ED6 ETI	1	2	3	6.35	3.92	4.56
Figure 2 CED6, CED6 ETI	—	2	3	9.58	3.92	4.56

Interrupting Ratings

Breaker Type	CSA C22.2 No.5-02 / UL 489 AIR (File #E10848)									IEC 947-2					
	RMS Symmetrical Amperes (KA)														
	Volts AC									Volts DC					
	120	240	277	347	480	600	125	250	500 <sup>②</sup>	220/240		380/415		500	
									Icu	Ics	Icu	Ics	Icu	Ics	
ED2 (1-P)	10	—	—	—	—	—	5	—	—	—	—	—	—	—	
ED2 (2, 3-P)	—	10	—	—	—	—	—	5 (2-P)	—	—	—	—	—	—	
ED4 (1-P)	65	—	22	—	— 18	—	30	—	—	—	—	—	—	—	
ED4 (2, 3-P)	—	65	—	—	—	—	—	30 (2-P)	—	—	—	—	—	—	
ED6 (1P)	—	—	—	30 <sup>③</sup>	— 25	—	—	—	—	—	—	—	—	—	
ED6 (2, 3-P)	—	65	—	—	—	18	—	30 (2-P)	18 (3-P)	65	17	35	9	18	
HED4 (1-P)	100	—	65	—	—	—	30	—	—	—	—	—	—	—	
HED4 (15-30A)	100	— 100	25	—	—	—	30	—	—	—	—	—	—	—	
HED4 (1-P)	—	—	—	—	42	—	—	30 (2-P)	—	—	—	—	—	—	
HED4 (35-100A)	—	—	—	—	—	—	—	—	—	—	—	—	—	—	
HED4 (2, 3-P) <sup>③</sup>	—	—	—	—	—	—	—	—	—	—	—	—	—	—	
CED6 (2, 3-P)	—	200	—	—	200	100	—	30 (2-P)	50 (3-P)	—	—	—	—	—	

①SWD rated.

②When wired as shown on page 5-4, this circuit breaker is CSA Certified / UL listed and rated for use on 500V DC ungrounded UPS systems.

③HED4 type circuit breakers meet the CSA / UL criteria for "current limiting" at 240V AC.

④ED6-ETI, CED6-ETI, see page 5-101 for ordering information.

⑤Single Pole 15-30A 30KA @ 347V CSA only. 35-100A 18KA @ 347V CSA only.

⑥HACR rated.

# Molded Case Circuit Breakers

## Accessories

Selection

Accessories for:

ED 125A Frame



### Combinations

Available only when ordered together.

**Only one module can be added to a breaker.** Additional accessories, which always attach to the left pole, cannot be added to the combination later. Adds 1 inch pole space.

### Equipment Ground Sensing

A field addable kit containing 30mA or 5 mA ground fault accessory module, current transformer with 24 inch leads, and current transformer mounting equipment. Current transformer to mount in gutter of lighting panel or any control panel. **Accessory module operates from separate 120V control power source.**

Both 30MA and 5MA devices are equipment protection devices only. **Do not use for personnel protection.**



### Shunt Trip Combinations

Control Voltage		1 Shunt Trip	1 Shunt Trip and 1 Auxiliary Switch	1 Shunt Trip 1 Auxiliary Switch and 1 Alarm Switch	1 Shunt Trip and 1 Alarm Switch	1 Shunt Trip and 2 Auxiliary Switches
AC	DC	Catalogue Number	Catalogue Number	Catalogue Number	Catalogue Number	Catalogue Number
24	—	S17ED60	—	—	—	—
48	—	S18ED60	—	—	—	—
120	—	S01ED60	S01ED62A	S01ED62AB	S01ED62B	S01ED62AA
208	—	—	S02ED62A	S02ED62AB	S02ED62B	S02ED62AA
240	—	S03ED60	S03ED62A	S03ED62AB	S03ED62B	S03ED62AA
277	—	S15ED60	S15ED64A	S15ED64AB	S15ED64B	—
480	—	S04ED60	S04ED64A	S04ED64AB	S04ED64B	—
—	12	S16ED60	S16ED62A	—	—	—
—	24	S07ED60	S07ED62A	S07ED62AB	S07ED62B	S07ED62AA
—	48	S09ED60	S09ED62A	S09ED62AB	S09ED62B	S09ED62AA
—	125	S11ED60	S11ED62A	S11ED62AB	S11ED62B	S11ED62AA
—	250	S13ED60	S13ED62A	S13ED62AB	S13ED62B	S13ED62AA

### Undervoltage Trip Combinations

Control Voltage		1 Undervoltage Trip	1 Undervoltage Trip and 1 Auxiliary Switch	1 Undervoltage Trip and 1 Auxiliary Switch and 1 Alarm Switch	1 Undervoltage Trip and 1 Alarm Switch"	1 Undervoltage Trip and 2 Auxiliary Switches
AC	DC	Catalogue Number	Catalogue Number	Catalogue Number	Catalogue Number	Catalogue Number
120	—	U01ED60	U01ED62A	U01ED62AB	U01ED62B	U01ED62AA
208	—	U02ED60	U02ED62A	U02ED62AB	U02ED62B	U02ED62AA
240	—	U03ED60	U03ED62A	U03ED62AB	U03ED62B	U03ED62AA
277	—	U16ED60	U16ED64A	U16ED64AB	U16ED64B	—
480	—	U06ED60	U06ED64A	U06ED64AB	U06ED64B	—
600	—	U08ED60	—	—	—	—
—	24	U13ED60	U13ED62A	U13ED62AB	U13ED62B	U13ED62AA
—	48	U14ED60	U14ED62A	U14ED62AB	U14ED62B	U14ED62AA
—	125	U10ED60	U10ED62A	U10ED62AB	U10ED62B	U10ED62AA
—	250	U12ED60	U12ED62A	—	—	U12ED62AA

### Auxiliary and Alarm Switch Combinations

Maximum Voltage		1 Auxiliary Switch*	1 Alarm Switch	Alarm Switch and 1 Auxiliary Switch	2 Auxiliary Switches	1 Alarm Switch and 2 Auxiliary Switches
AC	DC	Catalogue Number	Catalogue Number	Catalogue Number	Catalogue Number	Catalogue Number
240	250	A01ED62	B00ED62	A01ED62B	A02ED62	A02ED62B
480	—	A01ED64	B00ED64	A01ED64B	—	—
—	12	A01EDLV*	Gold Plated Contacts—for PLC use			

### Alarm Switch Only

Maximum Voltage		1 Alarm Switch
AC	DC	Catalogue Number
240	250	B00ED62
480	—	B00ED64

### Ground Fault Sensing Relay Kit — Equipment Protection Only

For Use With Breaker Frame	Number of Poles	Description	Catalogue Number	
		30mA	30mA	5mA
ED2, ED4, ED6, HED4, CED6	1, 2, 3	Basic Kit	GF01ED60	GF01ED65
		Basic Kit with Normally Open Bell Alarm	GF01ED60B0	GF01ED65B0
		Basic Kit with Normally Closed Bell Alarm	GF01ED60BC	GF01ED65BC

# Molded Case Circuit Breakers

## FD 250A Frame Sentron Series

Selection

Type FXD6-A<sup>①⑦</sup>

Blue Label

### Non-Interchangeable Trip (Assembled Circuit Breaker – Without Lugs)

Continuous Current Rating @ 40°C	2-Pole <sup>②</sup>		3-Pole	
	Catalogue Number		Catalogue Number	
70	FXD62B070		FXD63B070	
80	FXD62B080		FXD63B080	
90	FXD62B090		FXD63B090	
100	FXD62B100		FXD63B100	
110	FXD62B110		FXD63B110	
125	FXD62B125		FXD63B125	
150	FXD62B150		FXD63B150	
175	FXD62B175		FXD63B175	
200	FXD62B200		FXD63B200	
225	FXD62B225		FXD63B225	
250	FXD62B250		FXD63B250	

Type FD6-A<sup>⑦</sup>

Blue Label

### Interchangeable Trip

Continuous Current Rating @ 40°C	Complete Breaker Unassembled with Lugs	Frame Only	Trip Unit Only
	Catalogue Number	Catalogue Number	Catalogue Number

#### 2-Pole 600V AC, 250V DC<sup>②</sup>

Continuous Current Rating @ 40°C	Complete Breaker Unassembled with Lugs	Frame Only	Trip Unit Only
70	FD62B070	FD62F250	FD62T070
80	FD62B080		FD62T080
90	FD62B090		FD62T090
100	FD62B100		FD62T100
110	FD62B110		FD62T110
125	FD62B125		FD62T125
150	FD62B150		FD62T150
175	FD62B175		FD62T175
200	FD62B200		FD62T200
225	FD62B225		FD62T225
250	FD62B250		FD62T250

#### 3-Pole 600V AC, 500V DC<sup>③</sup>

Continuous Current Rating @ 40°C	Complete Breaker Unassembled with Lugs	Frame Only	Trip Unit Only
70	FD63B070	FD63F250	FD63T070
80	FD63B080		FD63T080
90	FD63B090		FD63T090
100	FD63B100		FD63T100
110	FD63B110		FD63T110
125	FD63B125		FD63T125
150	FD63B150		FD63T150
175	FD63B175		FD63T175
200	FD63B200		FD63T200
225	FD63B225		FD63T225
250	FD63B250		FD63T250

### Interrupting Ratings

Breaker Type	RMS Symmetrical Amperes (KA)										
	CSA / UL 489 AIR (File E10848)					IEC 947-2					
	Volts AC (50/60Hz)					Volts DC					
	240	480	600	250	500 <sup>③</sup>	220/240		380/415		500	
FXD6-A, FD6-A	65	35	22	30 (2-P)	18 (3-P)	65	33	35	9	20	10
HFXD6 <sup>④</sup> , HFD6 <sup>④</sup>	100	65	25	30 (2-P)	25 (3-P)	100	50	65	33	42	21
HHFD6 <sup>④</sup> , HHFXD6 <sup>④</sup>	200	100	25	—	—	200	100	100	50	65	33
CFD6	200	200	100	50 (2-P)	50 (3-P)	—	—	—	—	—	—

### Instantaneous Adjustment Trip Range

Breaker Ampere Rating	Nominal Instantaneous Values								
	Low <sup>⑤</sup>	2	3	4	5	6	7	High <sup>⑥</sup>	
70-90	600	640	690	730	770	810	850	900	
100-110	700	770	840	920	990	1060	1140	1200	
125-150	800	900	1000	1100	1200	1300	1400	1500	
175-200	900	1060	1210	1370	1520	1780	1930	2000	
225-250	1100	1300	1500	1700	1900	2100	2300	2500	

Note: FD frame qualified to UL489 supplement SB "NAVAL". See page 5-137 for additional information.

### Ordering Information

#### Complete Breaker Unassembled with Lugs

Prices of FD6, HFD6, and HHFD6 breakers includes frame, trip and both line and load lugs (TA1FD350A). When ordered by these catalogue numbers, the customer will receive the frame, trip, and lugs separately packaged. For applications requiring different lugs, order individual items as needed.

#### Complete Breaker Assembled without Lugs

Prices of FXD6, HFXD6, HHFXD6, and CFD6 includes frame with non-interchangeable trip unit installed only. Order required lugs separately. For line and load lugs (TA1FD350A) installed, add suffix "L" to catalogue number (add 2 times list price of lugs for each pole).

**50°C Applications** see page 5-137.

**400 Hz Applications** see page 5-137.

### Lugs For 75°C Wire<sup>④</sup>

Catalogue Number	Wire Range
TA1FD350A	#6–350 kcmil Cu
TC1FD350	#4–350 kcmil Al
	#6–350 kcmil Cu
Compression Lug	
CCF250	350 kcmil Cu/Al

① Type FXD6-A circuit breakers are CSA / UL Listed for reverse fed applications.

② 2-pole units are 3-pole width.

③ When wired as shown on page 5-4, this circuit breaker is CSA Certified / UL 489 listed and rated for use on 500V DC ungrounded UPS systems only.

④ See Note A, page 5-147.

⑤ HFD6 and HHFD6 type circuit breakers meet the UL criteria for "current limiting" at 240 and 480V AC.

⑥ HACR rated.

⑦ +/- 20% Tolerance.

Modifications page 5-150  
Accessories page 5-151 - 5-159

# Molded Case Circuit Breakers

## FD 250A Frame Sentron Series

Type HFD6<sup>⑤</sup>, Type HFXD6<sup>③④⑤⑥</sup>

Black Label

Interchangeable Trip			
Continuous Current Rating @ 40°C	Complete Breaker Unassembled with Lugs	Frame Only	Trip Unit Only
	Catalogue Number	Catalogue Number	Catalogue Number
<b>2-Pole 600V AC, 250V DC (3 Pole Width)</b>			
70	HFD62B070	HFD62F250	FD62T070
80	HFD62B080		FD62T080
90	HFD62B090		FD62T090
100	HFD62B100		FD62T100
110	HFD62B110		FD62T110
125	HFD62B125		FD62T125
150	HFD62B150		FD62T150
175	HFD62B175		FD62T175
200	HFD62B200		FD62T200
225	HFD62B225		FD62T225
250	HFD62B250		FD62T250

<b>3-Pole 600V AC, 500V DC<sup>①</sup></b>			
70	HFD63B070	HFD63F250	FD63T070
80	HFD63B080		FD63T080
90	HFD63B090		FD63T090
100	HFD63B100		FD63T100
110	HFD63B110		FD63T110
125	HFD63B125		FD63T125
150	HFD63B150		FD63T150
175	HFD63B175		FD63T175
200	HFD63B200		FD63T200
225	HFD63B225		FD63T225
250	HFD63B250		FD63T250

Type HHFD<sup>④</sup>, HHFXD6<sup>②③④⑥</sup>

<b>3-Pole 600V AC, Extra High Interrupting</b>			
70	HHFD63B070	HHFD63F250	FD63T070
80	HHFD63B080		FD63T080
90	HHFD63B090		FD63T090
100	HHFD63B100		FD63T100
110	HHFD63B110		FD63T110
125	HHFD63B125		FD63T125
150	HHFD63B150		FD63T150
175	HHFD63B175		FD63T175
200	HHFD63B200		FD63T200
225	HHFD63B225		FD63T225
250	HHFD63B250		FD63T250

Type CFD6<sup>③⑥</sup>

Red Label

Fuseless Current Limiting

Non-Interchangeable Trip (Assembled Circuit Breaker Without Lugs)	
Continuous Current Rating @ 40°C	3-Pole
	600V AC/500V DC
	Catalogue Number
70	CFD63B070
80	CFD63B080
90	CFD63B090
100	CFD63B100
110	CFD63B110
125	CFD63B125
150	CFD63B150
175	CFD63B175
200	CFD63B200
225	CFD63B225
250	CFD63B250

① When wired as shown on page 5-4, this circuit breaker is CSA Certified / UL listed and rated for use on 500V DC ungrounded UPS systems.

② For non-interchangeable trip 3-pole HFD6 type circuit breaker, change prefix identifier from HFD6 to HFXD6. Price equals frame and trip prices combined, e.g. price of HFXD63B250 equals price of HFD63F250 plus price of FD63T250. Order lugs separately.

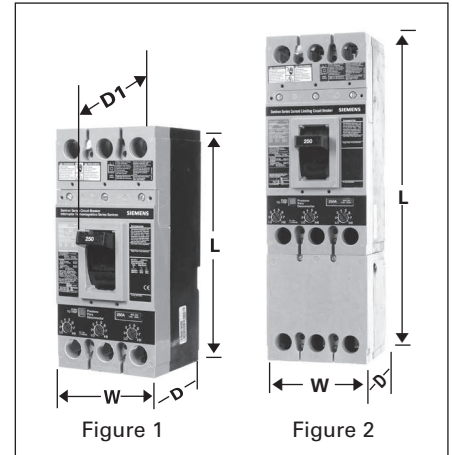
③ Type HFXD6, HHFXD6, CFD6 are CSA Certified / UL Listed for reverse feed applications.

④ Type HFXD6, HFD6, HHFD6, HHFXD6 meet the CSA Certified / UL criteria for "Current Limiting" at 240 VAC and 480V AC.

⑤ FXD6, ETI, CFD6, ETI — See page 5-59 for ordering information.

⑥ HACR rated.

## Selection/Dimensions



Dimensions (in inches)

Breaker Type	W	L	D	D1 (to handle)
Figure 1 FXD6-A, FD6-A, HFD6, HFXD6, HHFD6, FD6-ETI <sup>⑤</sup>	4.50	9.50	4	5.25
Figure 2 CFD6, CFD6-ETI <sup>⑥</sup>	4.50	14.25	4	5.25

## Shipping Weights

Number of Poles	Number per Carton	Shipping Weight (lbs.)
<b>FD6-A, HFD6, HHFD6, FXD6-A Assembled Circuit Breaker (less connectors)</b>		
2	1	8.6
3	1	10
<b>FD6-A, HFD6, HHFD6 Frame Only</b>		
2	1	7.5
3	1	8.7
<b>FD6 Trip Unit Only</b>		
2	1	1.1
3	1	1.3
<b>CFD6 Assembled Circuit Breaker (less terminals)</b>		
2	1	31
3	1	34

# Molded Case Circuit Breakers

## Internal Accessories

*Selection*

Accessories:  
FD 250A Frame



### Shunt Trip Combinations

Control Voltage		1 Shunt Trip
AC	DC	Catalogue Number
24	—	S17FD60
120	—	S01FD60
240	—	S03FD60
277	—	S15FD60
480	—	S04FD60
600	—	S06FD60
—	12	S16FD60
—	24	S07FD60
—	48	S09FD60
—	125	S11FD60
—	250	S13FD60

### Undervoltage Trip Combinations

Control Voltage		1 Undervoltage Trip	1 Undervoltage Trip and 1 Auxiliary Switch
AC	DC	Catalogue Number	Catalogue Number
120	—	U01FD60	W01FD64
208	—	U02FD60	W02FD64
240	—	U03FD60	W03FD64
277	—	U16FD60	W16FD64
480	—	U06FD60	W06FD64
600	—	U08FD60	W08FD64
—	24	U13FD60	W13FD64
—	48	U14FD60	W14FD64
—	125	U10FD60	W10FD64
—	250	U12FD60	W12FD64

### Auxiliary Switch Combinations

Voltage		1 Auxiliary Switch	2 Auxiliary Switches
AC	DC	Catalogue Number	Catalogue Number
240	—	A01FD62	A02FD62
480	—	A01FD64	A02FD64
—	12	A01FDLV	Gold Plated Contacts - for PLC use

### Alarm Switch Combinations

Maximum Voltage		1 Alarm Switch	1 Alarm Switch and 1 Auxiliary Switch
AC	DC	Catalogue Number	Catalogue Number
480	250	B00FD64	C01FD64

©Auxiliary switch application is for 480V AC maximum.  
**Note:** Old F-frame accessories cannot be used in new Sentron line. Likewise, new FD-frame accessories cannot be used on old F-frame circuit breakers.



# Molded Case Circuit Breakers

## JD 400A Frame Sentron Series

Selection

Type JXD2-A<sup>①</sup>

Blue Label

240V AC, 2-pole 250V DC only

Non-Interchangeable Trip (Assembled Circuit Breaker without Lugs)		
Continuous Current Rating @ 40°C	2-Pole (3 Pole Width)	
	Catalogue Number	3-Pole Catalogue Number
200	JXD22B200	JXD23B200
225	JXD22B225	JXD23B225
250	JXD22B250	JXD23B250
300	JXD22B300	JXD23B300
350	JXD22B350	JXD23B350
400	JXD22B400	JXD23B400

Type JXD6-A<sup>①⑤</sup>

Blue Label

600V AC, 2-pole 250V DC, 3-pole 500V DC

Non-Interchangeable Trip (Assembled Circuit Breaker without Lugs)		
Continuous Current Rating @ 40°C	2-Pole (3 Pole Width)	
	Catalogue Number	3-Pole Catalogue Number
200	JXD62B200	JXD63B2003366.0
225	JXD62B225	JXD63B225
250	JXD62B250	JXD63B250
300	JXD62B300	JXD63B300
350	JXD62B350	JXD63B3503366.0
400	JXD62B400	JXD63B400

Type JD6-A<sup>②</sup>

Blue Label

Interchangeable Trip			
Continuous Current Rating @ 40°C	Complete Breaker Unassembled with Lugs	Frame Only	Trip Unit Only
	Catalogue Number	Catalogue Number	Catalogue Number
200	JD62B200	JD62F400	JD62T200
225	JD62B225		JD62T225
250	JD62B250		JD62T250
300	JD62B300		JD62T300
350	JD62B350		JD62T350
400	JD62B400		JD62T400

2-Pole 600V AC, 250V DC (3 Pole Width)

200	JD62B200	JD62F400	JD62T200
225	JD62B225		JD62T225
250	JD62B250		JD62T250
300	JD62B300		JD62T300
350	JD62B350		JD62T350
400	JD62B400		JD62T400

3-Pole 600V AC, 500V DC<sup>②</sup>

200	JD63B200	JD63F400	JD63T200
225	JD63B225		JD63T225
250	JD63B250		JD63T250
300	JD63B300		JD63T300
350	JD63B350		JD63T350
400	JD63B400		JD63T400

### Interrupting Ratings

Breaker Type	RMS Symmetrical Amperes (KA)					IEC 947-2				
	CSA / UL 489 AIR (File E10848)					Volts AC (50/60Hz)				
	Volts AC (50/60Hz)					Volts DC				
	240	480	600	250	500 <sup>③</sup>	220/240		380/415		500
JXD2-2	65	—	—	30 (2-P)	—	—	—	—	—	—
JXD6-2, JD6-A	65	35	25	30 (2-P)	25 (3-P)	65	33	40	20	30 15
HJD6-A, HJXD6-A	100	65	35	30 (2-P)	35 (3-P)	100	50	65	33	42 21
HHJD6-A, HJXD6 <sup>④</sup>	200	100	50	—	—	200	100	100	50	65 33
CJD6	200	150	100	50 (2-P)	50 (3-P)	—	—	—	—	—

### Instantaneous Adjustment Trip Range

Breaker Ampere Rating	Nominal Instantaneous Values							
	Low <sup>⑤</sup>	2	3	4	5	6	7	High <sup>⑤</sup>
200-300	1250	1430	1610	1790	1960	2140	2320	2500
350-400	2000	2290	2570	2860	3140	3430	3710	4000

### Ordering Information

#### Complete Breaker Unassembled with Lugs

Prices of JD6, HJD6, and HHJD6 breakers include frame, trip and both line and load lugs (TA2J6500). When ordered by these catalogue numbers, the customer will receive the frame, trip, and lugs separately packaged. For applications requiring different lugs, order individual items as needed.

#### Complete Breaker Assembled without Lugs

Prices of JXD6, HJXD6, HHJXD6, and CJD6 include frame with non-interchangeable trip unit installed only. Order required lugs separately. For line and load lugs (TA2J6500) installed, add suffix "L" to catalogue number (add 2 times list price of lugs for each pole).

#### 100% Rated

Types JXD6 and HJXD6 breakers are available with 100% ratings. To order add suffix "H" to catalogue number, and 10% to list price.

100% rated JD breakers require the use of 90°C Cu cable and lugs TC1J6600 or TC2J6500.

**50°C Applications** see page 5-137.

**400Hz Applications** see page 5-137.

### Lugs For 75°C Wire<sup>⑥</sup>

Catalogue Number	Cables per Lug	Wire Range
TA2J6500	1, 2	#3/0-500 kcmil Cu #4/0-500 kcmil Al
TA1L6750	1	500-750 kcmil Al 500-600 kcmil Cu
TC1J6600	1	#3/0-600 kcmil Cu
TC2J6500	1, 2	#3/0-500 kcmil Cu
Compression Lug		
CCL600	1	500 kcmil Cu/Al

① Type JXD2 and JXD6 circuit breakers are CSA Certified / UL Listed for reverse feed applications.

② When wired as shown on page 5-4, this circuit breaker is CSA Certified / UL Listed and rated for use on 500V DC ungrounded UPS systems only.

③ See **Note: A**, page 5-147.

④ HHJD6 type circuit breakers meet the CSA / UL criteria for "current limiting" at 240 and 480V AC.

⑤ HACR rated.

⑥ +/- 20% Tolerance.

**Note:** JD frame qualified to UL489 supplement B "NAVAL." See page 5-137 for additional information.

Modifications page 5-150  
Accessories page 5-151 - 5-159



# Molded Case Circuit Breakers

## JD 400A Frame Sentron Series

Selection

Type HJD6-A, HJXD6-A<sup>②④⑥</sup>

Black Label

Interchangeable Trip			
Continuous Current Rating @ 40°C	Complete Breaker Unassembled with Lugs	Frame Only	Trip Unit Only
	Catalogue Number	Catalogue Number	Catalogue Number
<b>2-Pole 600V AC, 250V DC (3 Pole Width)</b>			
200	HJD62B200	HJD62F400	JD62T200
225	HJD62B225		JD62T225
250	HJD62B250		JD62T250
300	HJD62B300		JD62T300
350	HJD62B350		JD62T350
400	HJD62B400		JD62T400

**3-Pole 600V AC, 500V DC**<sup>①②⑤</sup>

200	HJD63B200	HJD63F400	JD63T200
225	HJD63B225		JD63T225
250	HJD63B250		JD63T250
300	HJD63B300		JD63T300
350	HJD63B350		JD63T350
400	HJD63B400		JD63T400

Type HHJD6, HHJXD6-A<sup>②④⑥</sup>

**2-Pole 600V AC (3 Pole Width)**

200	HHJD62B200	HHJD62F400	JD62T200
225	HHJD62B225		JD62T225
250	HHJD62B250		JD62T250
300	HHJD62B300		JD62T300
350	HHJD62B350		JD62T350
400	HHJD62B400		JD62T400

**3-Pole 600V AC**

200	HHJD63B200	HHJD63F400	JD63T200
225	HHJD63B225		JD63T225
250	HHJD63B250		JD63T250
300	HHJD63B300		JD63T300
350	HHJD63B350		JD63T350
400	HHJD63B400		JD63T400

Type CJD6<sup>⑥</sup>

Red Label

Fuseless Current Limiting

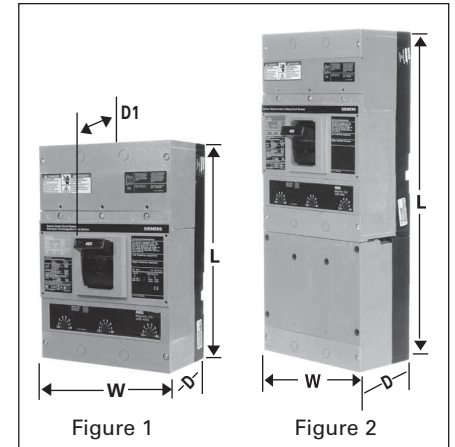
Non-Interchangeable Trip (Assembled Circuit Breaker Without Lugs)		
Continuous Current Rating @ 40°C	2-Pole	3-Pole
	600V AC/250V DC	600V AC/500V DC
		Catalogue Number
200	For 2-pole application use outside poles of 3-pole circuit breaker	CJD63B200
225		CJD63B225
250		CJD63B250
300		CJD63B300
350		CJD63B350
400		CJD63B400

For inches / millimeters conversion, see Technical section.

2-pole units available in 3-pole construction.

① When wired as shown on page 5-4, this circuit breaker is CSA Certified / UL Listed and rated for use on 500V DC ungrounded UPS systems only.

② For non-interchangeable 3-pole HJD6 or HHJD6 type circuit breaker change the prefix identifier to HJXD6 or HHJXD6. Order lugs separately.



Dimensions (in inches)

Breaker Type	W	L	D	D1 (to handle)
Figure 1 JXD2-A, JXD6-A, JD6-A HJD6-A, HJXD6-A, HHJD6, HJD6, HJXD6, HHJXD6, JXD6-ETI <sup>③</sup>	7.5	11	4	5.44
Figure 2 CJD6, CJD6-ETI <sup>③</sup>	7.5	17.86	4	5.44

Shipping Weights

Number of Poles	Number per Carton	Shipping Weight (lbs.)
<b>JXD2, JXD6, JD6, HJD6, HHJD6 Assembled Breaker (less terminals)</b>		
2	1	17.5
3	1	19.5"
<b>JD6, HJD6, HHJD6 Frame Only</b>		
2	1	14
3	1	15.5
<b>JD6 Trip Unit Only</b>		
2	1	3.5
3	1	4
<b>CJD6 Complete Assembled Breaker (less terminals)</b>		
2	1	29.5
3	1	31.5

③ JXD6-ETI, CJD6-ETI see page 5-117 for ordering information.

④ Type HJXD6, HHJXD6 Circuit Breakers are CSA Certified / UL Listed for reverse fed applications.

⑤ CE applies to non-interchangeable type HJXD only.

⑥ HACR rated.

# Molded Case Circuit Breakers

## SJD 400A Frame Digital Solid State Sentron Sensitrip IV Series

Selection

Type SJD6-B

Blue Label

Type SHJD6-B

Black Label

Current Limiting

Type SCJD6-B

Red Label

Max Current Rating	3-Pole, 600V AC		3-Pole, 600V AC		3-Pole, 600V AC	
	Catalogue Number (Advanced trip unit) <sup>③</sup>	Catalogue Number (Basic trip unit)	Catalogue Number (Advanced trip unit) <sup>③</sup>	Catalogue Number (Basic trip unit)	Catalogue Number (Advanced trip unit) <sup>③</sup>	Catalogue Number (Basic trip unit)
200	SJD6A200LI	SJD6B200LI	SHJD6A200LI	SHJD6B200LI	SCJD6A200LI	SCJD6B200LI
300	SJD6A300LI	SJD6B300LI	SHJD6A300LI	SHJD6B300LI	SCJD6A300LI	SCJD6B300LI
400	SJD6A400LI	SJD6B400LI	SHJD6A400LI	SHJD6B400LI	SCJD6A400LI	SCJD6B400LI
200	SJD6A200LIG	SJD6B200LIG	SHJD6A200LIG	SHJD6B200LIG	SCJD6A200LIG	SCJD6B200LIG
300	SJD6A300LIG	SJD6B300LIG	SHJD6A300LIG	SHJD6B300LIG	SCJD6A300LIG	SCJD6B300LIG
400	SJD6A400LIG	SJD6B400LIG	SHJD6A400LIG	SHJD6B400LIG	SCJD6A400LIG	SCJD6B400LIG
200	SJD6A200LSI	SJD6B200LSI	SHJD6A200LSI	SHJD6B200LSI	SCJD6A200LSI	SCJD6B200LSI
300	SJD6A300LSI	SJD6B300LSI	SHJD6A300LSI	SHJD6B300LSI	SCJD6A300LSI	SCJD6B300LSI
400	SJD6A400LSI	SJD6B400LSI	SHJD6A400LSI	SHJD6B400LSI	SCJD6A400LSI	SCJD6B400LSI
200	SJD6A200LSIG	SJD6B200LSIG	SHJD6A200LSIG	SHJD6B200LSIG	SCJD6A200LSIG	SCJD6B200LSIG
300	SJD6A300LSIG	SJD6B300LSIG	SHJD6A300LSIG	SHJD6B300LSIG	SCJD6A300LSIG	SCJD6B300LSIG
400	SJD6A400LSIG	SJD6B400LSIG	SHJD6A400LSIG	SHJD6B400LSIG	SCJD6A400LSIG	SCJD6B400LSIG

### SJD 400A Frame – 100% Rated<sup>②</sup>

Blue Label

Black Label

Max Current Rating	3-Pole, 600V AC		3-Pole, 600V AC	
	Catalogue Number (Advanced trip unit) <sup>③</sup>	Catalogue Number (Basic trip unit)	Catalogue Number (Advanced trip unit) <sup>③</sup>	Catalogue Number (Basic trip unit)
200	SJD6A200LIH	SJD6B200LIH	SHJD6A200LIH	SHJD6B200LIH
300	SJD6A300LIH	SJD6B300LIH	SHJD6A300LIH	SHJD6B300LIH
400	SJD6A400LIH	SJD6B400LIH	SHJD6A400LIH	SHJD6B400LIH
200	SJD6A200LIGH	SJD6B200LIGH	SHJD6A200LIGH	SHJD6B200LIGH
300	SJD6A300LIGH	SJD6B300LIGH	SHJD6A300LIGH	SHJD6B300LIGH
400	SJD6A400LIGH	SJD6B400LIGH	SHJD6A400LIGH	SHJD6B400LIGH
200	SJD6A200LSIH	SJD6B200LSIH	SHJD6A200LSIH	SHJD6B200LSIH
300	SJD6A300LSIH	SJD6B300LSIH	SHJD6A300LSIH	SHJD6B300LSIH
400	SJD6A400LSIH	SJD6B400LSIH	SHJD6A400LSIH	SHJD6B400LSIH
200	SJD6A200LSIGH	SJD6B200LSIGH	SHJD6A200LSIGH	SHJD6B200LSIGH
300	SJD6A300LSIGH	SJD6B300LSIGH	SHJD6A300LSIGH	SHJD6B300LSIGH
400	SJD6A400LSIGH	SJD6B400LSIGH	SHJD6A400LSIGH	SHJD6B400LSIGH

### Ordering Information

Pricing information for all Digital Sentron Series SJD Frames is for complete breaker only - price required lugs as separate items - lugs are suitable for 75°C Wire.

### Shipping Weights

Breaker Type	Number per Carton	Shipping Weight (lbs)
SJD6-B	1	20
SHJD6-B	1	20
SCJD6-B	1	33

### Lugs for 75°C Wire<sup>①</sup>

Catalogue Number	No. of cables per connector	Wire Range
TA2J6500	2	#3/0-500 kcmil Cu
	2	#4/0-500 kcmil Al
TA1L6750	1	500-750 kcmil Al
	1	500-600 kcmil Cu
TC1J6600	1	#3/0-600 kcmil Cu
TC2J6500	2	#3/0-500 kcmil Cu
TA2J630	2	#4-#3/0 Cu/Al
<b>Compression Lug</b>		
CCL600	1 (pc.)	#1/0-500 kcmil Cu/Al

### Trip Unit Adjustable Functions

Suffix Letter Code	Trip Type	Cont Current Setting	Long Time Delay	Instantaneous Pick Up	Short Time Pick Up	Short Time Fixed Delay	Short Time In't Delay	Ground Fault Pick Up	Ground Fault Delay
LI	LI	✓	✓	✓					
LIG	LIG	✓	✓	✓				✓	✓
LSI	LSI	✓	✓	✓	✓	✓	✓		
LSIG	LSIG	✓	✓	✓	✓	✓	✓	✓	✓

### Interrupting Ratings

Breaker Type	RMS Symmetrical kA UL 489 (File E10848)		
	240V AC	480V AC	600V AC
SJD6-B	65	35	25
SHJD6-B	100	65	35
SCJD6-B	200	150	100

### Neutral Transformers

Ampere Rating	Catalogue Number
200	N02SJD
300	N03SJD
400	N04SJD

Note: "G" suffix in catalog number denotes circuit breaker for 3-phase, 3-wire systems. For 3-phase, 4-wire, order correct 4th wire (neutral) transformer as separate and additional item.

All breakers built to order. Allow 2-3 weeks for delivery.  
 ① For additional information, see Note: A, page 5-147.  
 ② Refer to the NEC for proper application of 100% rated devices.  
 ③ Advanced trip unit equipped with DAS / Maintenance Mode. Requires customer-supplied 24V external power supply, maintenance switch and light.

Enclosures page 5-139 – 5-146  
 Accessories pages 5-151 - 5-159

# Molded Case Circuit Breakers

## Internal Accessories

*Selection*

Accessories for:

**JD 400A Frame**  
**LD 600A Frame**  
**LMD 800A Frame**  
**SJD 400A Frame**  
**SLD 600A Frame**



### Shunt Trip Combinations

Control Voltage		1 Shunt Trip	1 Shunt Trip and 1 Auxiliary Switch
AC	DC	Catalogue Number	Catalogue Number
24	—	S17JLD6	—
48	—	S18JLD6	—
120	—	S01JLD6	S01JLD62A
240	—	S03JLD6	S03JLD62A
277	—	S15JLD6	S15JLD64A
480	—	S04JLD6	—
—	12	S16JLD6	S16JLD62A
—	24	S07JLD6	S07JLD62A
—	48	S09JLD6	S09JLD62A
—	125	S11JLD6	S11JLD62A
—	250	S13JLD6	S13JLD62A

### Undervoltage Trip Combinations

Control Voltage		1 Undervoltage Trip	1 Undervoltage Trip and 1 Auxiliary Switch	1 Undervoltage Trip and 2 Auxiliary Switches
AC	DC	Catalogue Number	Catalogue Number	Catalogue Number
120	—	U01JLD6	U01JLD62A	U01JLD62AA
208	—	U02JLD6	U02JLD62A	U02JLD62AA1
240	—	U03JLD6	U03JLD62A	U03JLD62AA1
480	—	U06JLD6	U06JLD64A	U06JLD64AA1
—	24	U13JLD6	U13JLD62A	U13JLD62AA1
—	48	U14JLD6	U14JLD62A	U14JLD62AA1
—	125	U10JLD6	U10JLD62A	U10JLD62AA
—	250	U12JLD6	U12JLD62A	U12JLD62AA1

### Auxiliary Switch Combinations

Maximum Voltage		1 Form C	2 Form C
AC	DC	Catalogue Number	Catalogue Number
480	250	A01JLD64	A02JLD64
—	12	A01JLDLV	A02JIDLV

### Alarm Switch Combinations

Maximum Voltage		1 Alarm Switch	1 Alarm Switch and 1 Auxiliary Switch	1 Alarm Switch and 2 Auxiliary Switches
AC	DC	Catalogue Number	Catalogue Number	Catalogue Number
480	250	B01JLD64	A01JLD64B	A02JLD64B

### ETU Testing Unit

Breaker Type	Description	Catalogue Number
SJD, SLD, SMD, SND, SPD	Power Stick	EPSP18V
	Spare cable for Power Stick	COMPCA

The EPSP18V Power Stick is a hand-held, battery-operated power supply that can be used for trip testing the Sensitrip IV electronic trip units. Requires two 9V batteries.

**Note:** Accessory modules can only be added to right side pole of solid state SJD and SLD frame circuit breakers. All accessories on this page are useable on superseded JD2, JJ6, JL6, HJ6, SJJ, LJ6, LL6, HL6 and SLL circuit breakers.

No accessories can be added if mechanical interlock is used.

# Molded Case Circuit Breakers

## LD 600A Frame Sentron Series

Selection

Type LXD6-A<sup>①④</sup>

Blue Label

Non-Interchangeable Trip (Assembled Circuit Breaker without Lugs)				
Continuous Current Rating @ 40°C	2-Pole (3 Pole Width)		3-Pole	
	600V AC	250V DC	600V AC	500V DC
	Catalogue Number		Catalogue Number	
450	LXD62B450		LXD63B450	E
500	LXD62B500		LXD63B500	
600	LXD62B600		LXD63B600	

Type JD6-A<sup>⑤</sup>

Blue Label

Interchangeable Trip			
Continuous Current Rating @ 40°C	Complete Breaker Unassembled with Lugs	Frame Only	Trip Unit Only
	Catalogue Number	Catalogue Number	Catalogue Number

### 2-Pole 600V AC, 250V DC (3 Pole Width)

250	LD62B250	LD62F600	JD62T250
300	LD62B300		JD62T300
350	LD62B350		JD62T350
400	LD62B400		JD62T400
450	LD62B450		LD62T450
500	LD62B500		LD62T500
600	LD62B600		LD62T600

### 3-Pole 600V AC, 500V DC<sup>②</sup>

250	LD63B250	LD63F600	JD63T250
300	LD63B300		JD63T300
350	LD63B350		JD63T350
400	LD63B400		JD63T400
450	LD63B450		LD63T450
500	LD63B500		LD63T500
600	LD63B600		LD63T600

## Interrupting Ratings

Breaker Type	RMS Symmetrical Amperes (KA)										
	CSA / UL 489 AIR (File E10848)					IEC 947-2					
	Volts AC (50/60Hz)			Volts DC		220/240			380/415		500
	240	480	600	250	500 <sup>③</sup>	(Icu)	(Ics)	(Icu)	(Ics)	(Icu)	(Ics)
LXD6, LD6	65	35	25	30 (2-P)	25 (3-P)	65	33	40	20	30	15
HLD6, HLXD6	100	65	35	30 (2-P)	35 (3-P)	100	50	65	33	42	21
HHL6, HHLXD6	200	100	50	—	—	200	100	100	50	65	33
CLD6	200	150	100	30 (2-P)	50 (3-P)	—	—	—	—	—	—

## Instantaneous Adjustment Trip Range

Breaker Ampere Rating	Nominal Instantaneous Values							
	Low <sup>⑤</sup>	2	3	4	5	6	7	High <sup>⑤</sup>
250-300	1250	1430	1610	1790	1960	2140	2320	2500
350-450	2000	2290	2570	2860	3140	3430	3710	4000
500-600	3000	3430	3800	4290	4710	5140	5570	6000

① Type LXD6A circuit breakers are CSA Certified / UL Listed for reverse fed applications.

② When wired as shown on page 5-4, this circuit breaker is CSA Certified / UL Listed and rated for use on 500V DC ungrounded UPS systems only.

③ See Note: A, page 5-147.

④ HACR rated.

⑤ +/- 20% Tolerance

Note: LD frame qualified to UL489 supplement SB "NAVAL" See page 5-137 for additional information.

## Ordering Information

### Complete Breaker Unassembled with Lugs

Prices of LD6, HLD6, and HHL6 breakers include frame, trip, and both line and load lugs (TA2J6500). When ordered by these catalogue numbers, the customer will receive the frame, trip and lugs separately packaged. For applications requiring different lugs, order individual items as needed.

### Complete Breaker Assembled without Lugs

Prices of LXD6, HLXD6, HHLXD6, and CLD6 include frame with non-interchangeable trip unit installed only. Order required lugs separately. For line and load lugs (TA2J6500) installed, add suffix "L" to catalogue number (add 2 times list price of lugs for each pole).

### 100% Rated (3-pole only)

Types, LXD6 and HLXD6 breakers are available with 100% ratings. To order add suffix "H" to catalogue number, and 10% to list price. 100% rated LD breakers require the use of 90°C Cu cable and lugs TC1J6600 or TC2J6500.

50°C Applications see page 5-137.

400Hz Applications see page 5-137.

## Shipping Weights

Number of Poles	Number per Carton	Shipping Weight (lbs.)
<b>LXD6, LD6, HLD6, HHL6</b>		
Assembled Breaker (less terminals)		
2	1	17.5
3	1	19.5
<b>LD6, HLD6, HHL6 Frame Only</b>		
2	1	14
3	1	15.5
<b>LD6, HHL6 Trip Unit Only</b>		
2	1	3.5
3	1	4
<b>CLD6 Complete Assembled Breaker (less terminals)</b>		
2	1	29.5
3	1	31.5

## Lugs for 75°C Wire<sup>⑥</sup>

Catalogue Number	No. of cables per connector	Wire Range
TA2J6500	1, 2	#3/0 500 kcmil Cu #4/0 500 kcmil Al
TC2J6500	2	#3/0-500 kcmil Cu
TA1L6750	1	500-750 kcmil Al 500-600 kcmil Cu
TC1J6600	1	#3/0-600 kcmil Cu
<b>Compression Lug</b>		
CCL600	1	500 kcmil Cu/Al

Modifications page 5-150  
Accessories page 5-151 - 5-159

# Molded Case Circuit Breakers

## LD 600A Frame Sentron Series

Selection

Type HLD6-A, HLXD6<sup>②③④</sup>

Black Label

Interchangeable Trip			
Continuous Current Rating @ 40°C	Complete Breaker Unassembled with Lugs	Frame Only	Trip Unit Only
	Catalogue Number	Catalogue Number	Catalogue Number

### 2-Pole 600V AC, 250V DC (3 Pole Width)

Current Rating	Complete Breaker Unassembled with Lugs	Frame Only	Trip Unit Only
250	HLD62B250	HLD62F600	JD62T250
300	HLD62B300		JD62T300
350	HLD62B350		JD62T350
400	HLD62B400		JD62T400
450	HLD62B450		LD62T450
500	HLD62B500		LD62T500
600	HLD62B600		LD62T600

### 3-Pole 600V AC, 500V DC<sup>①⑤</sup>

Current Rating	Complete Breaker Unassembled with Lugs	Frame Only	Trip Unit Only
250	HLD63B250	HLD63F600	JD63T250
300	HLD63B300		JD63T300
350	HLD63B350		JD63T350
400	HLD63B400		JD63T400
450	HLD63B450		LD63T450
500	HLD63B500		LD63T500
600	HLD63B600		LD63T600

Type HHL6, HHLXD6<sup>②③④</sup>

### 2-Pole 600V AC (3 Pole Width)

Current Rating	Complete Breaker Unassembled with Lugs	Frame Only	Trip Unit Only
250	HHL62B250	HHL62F600	JD62T250
300	HHL62B300		JD62T300
350	HHL62B350		JD62T350
400	HHL62B400		JD62T400
450	HHL62B450		HHL62T450
500	HHL62B500		HHL62T500
600	HHL62B600		HHL62T600

### 3-Pole 600V AC

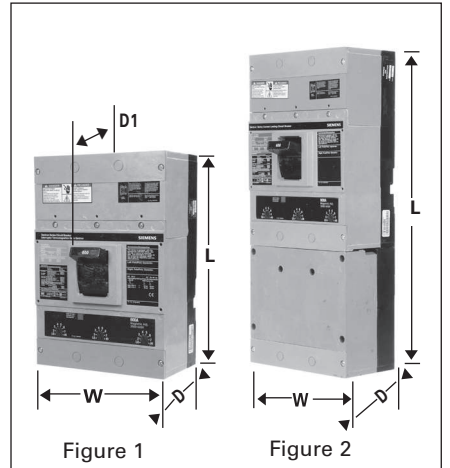
Current Rating	Complete Breaker Unassembled with Lugs	Frame Only	Trip Unit Only
250	HHL63B250	HHL63F600	JD63T250
300	HHL63B300		JD63T300
350	HHL63B350		JD63T350
400	HHL63B400		JD63T400
450	HHL63B450		HHL63T450
500	HHL63B500		HHL63T500
600	HHL63B600		HHL63T600

Type CLD6<sup>④</sup>

Red Label

### Fuseless Current Limiting

Non-Interchangeable Trip (Assembled Circuit Breaker Without Lugs)		
Continuous Current Rating @ 40°C	2-Pole	3-Pole
	600V AC/250V DC	600V AC/500V DC
		Catalogue Number
450	For 2-pole application use outside poles of 3-pole circuit breaker	CLD63B450
500		CLD63B500
600		CLD63B600



Dimensions (in inches)

Breaker Type	W	L	D	D1 (to handle)
Figure 1 LXD6-A, LD6-A HLD6-A HHL6, HHLXD6, LXD6-ETI <sup>④</sup>	7.5	11	4	5.44
Figure 2 CLD6, CLD6-ETI <sup>④</sup>	7.5	17.86	4	5.44

5  
MOLDED CASE  
CIRCUIT BREAKERS

For inches / millimeters conversion, see Technical section

① When wired as shown on page 5-4, this circuit breaker is CSA Certified / UL Listed and rated for use on 500V DC ungrounded UPS systems only.

② For complete assembled 3 pole HLD6 or HHL6 type circuit breaker change the prefix identifier HLD6 or HHL6 to HLXD6 or HHLXD6. Price is sum of frame and trip units prices, e.g. price of HLXD63B400 is the price of HLD63F600 plus the price of LD63T600. Order the terminal connectors separately.

③ Type HLXD6, HHLXD6 Circuit Breakers are CSA Certified / UL Listed for reverse feed applications.

④ LXD6-ETI, CLD6-ETI see page 5-117 for ordering information.

⑤ CE Applies to non-interchangeable type HLXD only.

⑥ HACR rated.

# Molded Case Circuit Breakers

## SLD 600A Frame Digital Solid State Sentron Sensitrip IV Series

Selection

### Type SLD6-B

Blue Label

### Type SHLD6-B

Black Label

### Current Limiting

### Type SCLD6-B

Red Label

Max Current Rating	3-Pole, 600V AC		3-Pole, 600V AC		3-Pole, 600V AC	
	Catalogue Number (Advanced trip unit) <sup>①</sup>	Catalogue Number (Basic trip unit)	Catalogue Number (Advanced trip unit) <sup>①</sup>	Catalogue Number (Basic trip unit)	Catalogue Number (Advanced trip unit) <sup>①</sup>	Catalogue Number (Basic trip unit)
300	SLD6A300LI	SLD6B300LI	SHLD6A300LI	SHLD6B300LI	SCLD6A300LI	SCLD6B300LI
400	SLD6A400LI	SLD6B400LI	SHLD6A400LI	SHLD6B400LI	SCLD6A400LI	SCLD6B400LI
500	SLD6A500LI	SLD6B500LI	SHLD6A500LI	SHLD6B500LI	SCLD6A500LI	SCLD6B500LI
600	SLD6A600LI	SLD6B600LI	SHLD6A600LI	SHLD6B600LI	SCLD6A600LI	SCLD6B600LI
300	SLD6A300LIG	SLD6B300LIG	SHLD6A300LIG	SHLD6B300LIG	SCLD6A300LIG	SCLD6B300LIG
400	SLD6A400LIG	SLD6B400LIG	SHLD6A400LIG	SHLD6B400LIG	SCLD6A400LIG	SCLD6B400LIG
500	SLD6A500LIG	SLD6B500LIG	SHLD6A500LIG	SHLD6B500LIG	SCLD6A500LIG	SCLD6B500LIG
600	SLD6A600LIG	SLD6B600LIG	SHLD6A600LIG	SHLD6B600LIG	SCLD6A600LIG	SCLD6B600LIG
300	SLD6A300LSI	SLD6B300LSI	SHLD6A300LSI	SHLD6B300LSI	SCLD6A300LSI	SCLD6B300LSI
400	SLD6A400LSI	SLD6B400LSI	SHLD6A400LSI	SHLD6B400LSI	SCLD6A400LSI	SCLD6B400LSI
500	SLD6A500LSI	SLD6B500LSI	SHLD6A500LSI	SHLD6B500LSI	SCLD6A500LSI	SCLD6B500LSI
600	SLD6A600LSI	SLD6B600LSI	SHLD6A600LSI	SHLD6B600LSI	SCLD6A600LSI	SCLD6B600LSI
300	SLD6A300LSIG	SLD6B300LSIG	SHLD6A300LSIG	SHLD6B300LSIG	SCLD6A300LSIG	SCLD6B300LSIG
400	SLD6A400LSIG	SLD6B400LSIG	SHLD6A400LSIG	SHLD6B400LSIG	SCLD6A400LSIG	SCLD6B400LSIG
500	SLD6A500LSIG	SLD6B500LSIG	SHLD6A500LSIG	SHLD6B500LSIG	SCLD6A500LSIG	SCLD6B500LSIG
600	SLD6A600LSIG	SLD6B600LSIG	SHLD6A600LSIG	SHLD6B600LSIG	SCLD6A600LSIG	SCLD6B600LSIG

### Trip Unit Adjustable Functions

Suffix Letter Code	Trip Type	Cont Current Setting	Long Time Delay	Instantaneous Pick Up	Short Time Pick Up	Short Time Fixed Delay	Short Time f't Delay	Ground Fault Pick Up	Ground Fault Delay
LI	LI	✓	✓	✓					
LIG	LIG	✓	✓	✓				✓	✓
LSI	LSI	✓	✓	✓	✓	✓	✓		
LSIG	LSIG	✓	✓	✓	✓	✓	✓	✓	✓

### Ordering Information

Pricing information for all Digital Sentron Series SLD Frames is for complete breaker only – price required lugs as separate items – lugs are suitable for 75°C Wire.

### Interrupting Ratings

Breaker Type	RMS Symmetrical kA UL 489 (File E10848)		
	240V AC	480V AC	600V AC
SLD6-B	65	35	25
SHLD6-B	100	65	35
SCLD6-B	200	150	100

### Neutral Transformers

Ampere Rating	Catalogue Number
300	N03SJD
400	N04SJD
500	N05SLD
600	N06SLD

### Shipping Weights

Breaker Type	Number per Carton	Shipping Weight (lbs)
SLD6-B	1	20
SHLD6-B	1	20
SCLD6-B	1	33

Note: "G" suffix in catalog number denotes circuit breaker for 3-phase, 3-wire circuits. For 3-phase, 4-wire, order correct 4th wire (neutral) transformer as separate and additional item.

For ordering information to terminal connectors see page 5-147 - 5-149; for enclosures, see page 5-139 – 5-146.

**100% Rated** – Not available in SLD6 Frame.

All breakers built to order. Allow 2-3 weeks for delivery.

<sup>①</sup> Advanced trip unit equipped with DAS / Maintenance Mode. Requires customer-supplied 24V external power supply, maintenance switch and light.

5

MOLDED CASE  
CIRCUIT BREAKERS



# Molded Case Circuit Breakers

## Internal Accessories

*Selection*

Accessories for:

- JD 400A Frame
- LD 600A Frame
- LMD 800A Frame
- SJD 400A Frame
- SLD 600A Frame



### Shunt Trip Combinations

Control Voltage		1 Shunt Trip	1 Shunt Trip and 1 Auxiliary Switch
AC	DC	Catalogue Number	Catalogue Number
24	—	S17JLD6	—
48	—	S18JLD6	—
120	—	S01JLD6	S01JLD62A
240	—	S03JLD6	S03JLD62A
277	—	S15JLD6	S15JLD64A
480	—	S04JLD6	—
—	12	S16JLD6	S16JLD62A
—	24	S07JLD6	S07JLD62A
—	48	S09JLD6	S09JLD62A
—	125	S11JLD6	S11JLD62A
—	250	S13JLD6	S13JLD62A

### Auxiliary Switch Combinations

Maximum Voltage		1 Form C	2 Form C
AC	DC	Catalogue Number	Catalogue Number
480	250	A01JLD64	A02JLD64
—	12	A01JLDLV	A02JLDLV

### Alarm Switch Combinations

Maximum Voltage		1 Alarm Switch	1 Alarm Switch and 1 Auxiliary Switch	1 Alarm Switch and 2 Auxiliary Switches
AC	DC	Catalogue Number	Catalogue Number	Catalogue Number
480	250	B01JLD64	A01JLD64B	A02JLD64B

### ETU Testing Unit

Breaker Type	Description	Catalogue Number
SJD, SLD, SMD, SND, SPD	Power Stick	EPSP18V
	Spare cable for Power Stick	COMPCA

The EPSP18V Power Stick is a hand-held, battery-operated power supply that can be used for trip testing the Sensitrip IV electronic trip units. Requires two 9V batteries.

**Note:** Accessory modules can only be added to right side pole of solid state SJD and SLD frame circuit breakers. All accessories on this page are useable on superseded JD2, JJ6, JL6, HJ6, SJL, LJ6, LL6, HL6 and SLL circuit breakers.

No accessories can be added if mechanical interlock is used.

# Molded Case Circuit Breakers

## LMD 800A Frame Sentron Series

Selection

Type LMXD6<sup>①⑤</sup>

Blue Label

Non-Interchangeable Trip (Assembled Circuit Breaker without Lugs)		
Continuous Current Rating @ 40°C	2-Pole (3 Pole Width)	3-Pole
	Catalogue Number	Catalogue Number
500	—	LMXD63B500
600	LMXD62B600	LMXD63B600
700	LMXD62B700	LMXD63B700
800	LMXD62B800	LMXD63B800

Type LMD6<sup>⑥</sup>

Blue Label

Interchangeable Trip			
Continuous Current Rating @ 40°C	Complete Breaker Unassembled with Lugs	Frame Only	Trip Unit Only
	Catalogue Number	Catalogue Number	Catalogue Number
<b>2-Pole 600V AC, 250V DC (3 Pole Width)</b>			
500	LMD62B500	LMD62F800	LMD62T500
600	LMD62B600		LMD62T600
700	LMD62B700		LMD62T700
800	LMD62B800		LMD62T800

**3-Pole 600V AC, 500V DC<sup>⑤</sup>**

500	LMD63B500	LMD63F800	LMD63T500
600	LMD63B600		LMD63T600
700	LMD63B700		LMD63T700
800	LMD63B800		LMD63T800

Instantaneous Adjustment Trip Range

Breaker Ampere Rating	Nominal Instantaneous Values							
	Low <sup>⑥</sup>	2	3	4	5	6	7	High <sup>⑥</sup>
500-600	3000	3430	3860	4290	4710	5140	5570	6000
700-800	3200	3500	3700	4200	4700	6400	7300	8000

① LMXD6 circuit breakers are CSA Certified / UL Listed for reverse connected applications.  
② Use 6 lugs for 3-pole, use 4 connectors for 2-pole.

③ When wired as shown on page 5-4, this circuit breaker is CSA Certified / UL Listed and rated for use on 500UDC ungrounded UPS systems only.  
④ See **Note: A**, page 5-147.  
⑤ HACR rated.  
⑥ +/- 20% Tolerance

### Ordering Information

#### Complete Breaker Unassembled with Lugs

Prices of LMD6 and HLMD6 breakers include frame, trip, and both line and load lugs (TA3K500). These catalogue numbers include the frame, trip and lugs separately packaged. For applications requiring different lugs, order individual items as needed.

#### Complete Breaker Assembled without Lugs

Prices of LMXD6 and HLMXD6 include frame with non-interchangeable trip unit installed only. Order required lugs separately. For line and load lugs (TA3K500) installed, add suffix "L" to catalogue number (add 2 times list price of lugs for each pole).

**50°C Applications** see page 5-137.

**400Hz Applications** see page 5-137.

### Shipping Weights

Number of Poles	Number per Carton	Shipping Weight (lbs.)
<b>LMD6, HLMD6, LMXD6, HLMXD6 Complete Breaker (less terminals)</b>		
2	1	53
3	1	61.5
<b>LMD6, HLMD6 Frame Only</b>		
2	1	42.25
3	1	46
<b>LMD6, HLMD6 Trip Unit Only</b>		
2	1	4.5
3	1	6.5

### Lugs for 75°C Wire<sup>③</sup>

Catalogue Number	No. of cables per connector	Wire Range
TA2K500	1, 2	#1-500 kcmil Cu/ Al
TA3K500	1-3	#1/0-500 kcmil Cu/ Al
TA2N750	1, 2	500-750 kcmil Cu/ Al

Modifications page 5-150  
Accessories page 5-151-159

# Molded Case Circuit Breakers

## LMD 800A Frame Sentron Series

### Selection/Dimensions

Type HLMXD6<sup>④</sup>

Black Label

Non-Interchangeable Trip (Assembled Circuit Breaker without Lugs)		
Continuous Current Rating @ 40°C	2-Pole 600V AC/ 250V DC	3-Pole 600V AC/ 500V DC
		Catalogue Number
500	For 2-Pole application use outside poles of 3-Pole circuit breaker.	HLMXD63B500
600		HLMXD63B600
700		HLMXD63B700
800		HLMXD63B800

Type HLMD6<sup>④</sup>

Black Label

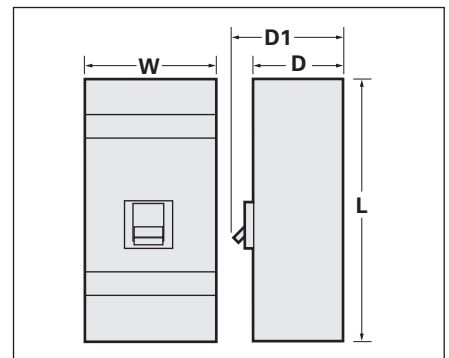
Interchangeable Trip			
Continuous Current Rating @ 40°C	Complete Breaker Unassembled with Lugs	Frame Only	Trip Unit Only
	Catalogue Number	Catalogue Number	Catalogue Number
<b>2-Pole 600V AC, 250V DC (3 Pole Width)</b>			
500	HLMD62B500	HLMD62F800	LMD62T500
600	HLMD62B600		LMD62T600
700	HLMD62B700		LMD62T700
800	HLMD62B800		LMD62T800

**3-Pole 600V AC, 500V DC<sup>⑤</sup>**

500	HLMD63B500	HLMD63F800	LMD63T500
600	HLMD63B600		LMD63T600
700	HLMD63B700		LMD63T700
800	HLMD63B800		LMD63T800

### Interrupting Ratings

Breaker Type	RMS Symmetrical Amperes (KA)										
	CSA / UL 489 AIR (File E10848)					IEC 947-2					
	Volts AC (50/60Hz)			Volts DC		Volts AC (50/60Hz)					
	240	480	600	250	500 <sup>③</sup>	220/240		380/415		500	
					(lcu)	(lcs)	(lcu)	(lcs)	(lcu)	(lcs)	
LMD6, LMXD6	65	50	25	30 (2-P)	25 (3-P)	65	33	40	20	30	15
HLMD6, HLMXD6	100	65	50	30 (2-P)	50 (3-P)	100	50	65	33	42	21



Dimensions (in inches)

Breaker Type	W	L	D	D1
LMD6, LMXD6, HLMD6, HLMXD6, LMXD6-ETI <sup>⑥</sup>	7.5	16	4.5	5.93

For inches / millimeters conversion, see Technical section.

① HLMXD6 circuit breakers are CSA Certified / UL Listed for reverse connection applications.  
② LMXD6-ETI, see page 5-117 for catalogue information.

③ When wired as shown on page 5-4, this circuit breaker is CSA Certified / UL Listed and rated for use on 500VDC ungrounded UPS systems only.  
④ HACR rated.

# Molded Case Circuit Breakers

## Internal Accessories

*Selection*

Accessories for:

JD 400A Frame  
LD 600A Frame  
LMD 800A Frame  
SJD 400A Frame  
SLD 600A Frame



### Shunt Trip Combinations

Control Voltage		1 Shunt Trip	1 Shunt Trip and 1 Auxiliary Switch
AC	DC	Catalogue Number	Catalogue Number
24	—	S17JLD6	—
48	—	S18JLD6	—
120	—	S01JLD6	S01JLD62A
240	—	S03JLD6	S03JLD62A
277	—	S15JLD6	S15JLD64A
480	—	S04JLD6	—
—	12	S16JLD6	S16JLD62A
—	24	S07JLD6	S07JLD62A
—	48	S09JLD6	S09JLD62A
—	125	S11JLD6	S11JLD62A
—	250	S13JLD6	S13JLD62A

### Undervoltage Trip Combinations

Control Voltage		1 Undervoltage Trip	1 Undervoltage Trip and 1 Auxiliary Switch	1 Undervoltage Trip and 2 Auxiliary Switches
AC	DC	Catalogue Number	Catalogue Number	Catalogue Number
120	—	U01JLD6	U01JLD62A	U01JLD62AA
208	—	U02JLD6	U02JLD62A	U02JLD62AA
240	—	U03JLD6	U03JLD62A	U03JLD62AA
277	—	U16JLD6	U16JLD64A	U16JLD62AA
480	—	U06JLD6	U06JLD64A	U06JLD64AA
600	—	U08JLD6	—	—
—	24	U13JLD6	U13JLD62A	U13JLD62AA
—	48	U14JLD6	U14JLD62A	U14JLD62AA
—	125	U10JLD6	U10JLD62A	U10JLD62AA
—	250	U12JLD6	U12JLD62A	U12JLD62AA

### Auxiliary Switch Combinations

Maximum Voltage		1 Form C*	2 Form C
AC	DC	Catalogue Number	Catalogue Number
480	250	A01JLD64	A02JLD64
—	12	A01JLDLV	A02JLDLV

### Alarm Switch Combinations

Maximum Voltage		1 Alarm Switch	1 Alarm Switch and 1 Auxiliary Switch	1 Alarm Switch and 2 Auxiliary Switches
AC	DC	Catalogue Number	Catalogue Number	Catalogue Number
480	250	B01JLD64	A01JLD64B	A02JLD64B

### ETU Testing Unit

Breaker Type	Description	Catalogue Number
SJD, SLD, SMD, SND, SPD	Power Stick	EPSP18V
	Spare cable for Power Stick	COMPCA

The EPSP18V Power Stick is a hand-held, battery-operated power supply that can be used for trip testing the Sensitrip IV electronic trip units. Requires two 9V batteries.

**Note:** Accessory modules can only be added to right side pole of solid state SJD and SLD frame circuit breakers. All accessories on this page are useable on superseded JD2, JJ6, JL6, HJ6, SJL, LJ6, LL6, HL6 and SLL circuit breakers.

No accessories can be added if mechanical interlock is used.

# Molded Case Circuit Breakers

## MD 800A Frame Sentron Series

Selection

Type MXD6<sup>1⑦</sup>

Blue Label

Non-Interchangeable Trip (Assembled Circuit Breaker Without Lugs)		
Continuous Current Rating @ 40°C	2-Pole	3-Pole
	Catalogue Number	Catalogue Number
600	MXD62B600	MXD63B600
700	MXD62B700	MXD63B700
800	MXD62B800	MXD63B800

Type MD6<sup>7</sup>

Blue Label

Non-Interchangeable Trip (Assembled Circuit Breaker Without Lugs)			
Continuous Current Rating @ 40°C	Complete Breaker Unassembled with Lugs	Frame Only	Trip Unit Only
	Catalogue Number	Catalogue Number	Catalogue Number

### 2-Pole 600V AC, 250V DC<sup>②</sup>

Continuous Current Rating @ 40°C	Complete Breaker Unassembled with Lugs	Frame Only	Trip Unit Only
500	MD62B500	MD62F800	MD62T500
600	MD62B600		MD62T600
700	MD62B700		MD62T700
800	MD62B800		MD62T800

### 3-Pole 600V AC, 500V DC<sup>④</sup>

Continuous Current Rating @ 40°C	Complete Breaker Unassembled with Lugs	Frame Only	Trip Unit Only
500	MD63B500	MD63F800	MD63T500
600	MD63B600		MD63T600
700	MD63B700		MD63T700
800	MD63B800		MD63T800

Lugs<sup>⑤</sup>

Catalogue Number	Cables per Lug	Lugs Per Kit	Wire Range
TA2K500	1-2	1	#1-500 kcmil Cu/ Al
TA3K500	1-3	1	1/0-500 kcmil Cu/ Al
TC2K500	1-2	1	#1-500 kcmil Cu
TC3K350	1-3	1	#1-350 kcmil Cu
Kits			
2TA2N8750	1-2	2	600-750 kcmil Cu/ Al
3TA2N8750		3	
2TA3N8750	1-3	2	500-750 kcmil Cu/ Al
3TA3N8750		3	
2TA4N8500	1-4	2	250-500 kcmil Cu/ Al
3TA4N8500		3	
2TA4P8500	1-4	2	250-500 kcmil Cu/Al
3TA4P8500		3	

### Instantaneous Adjustment Trip Range

Breaker Ampere Rating	Nominal Instantaneous Values							
	Low <sup>⑧</sup>	2	3	4	5	6	7	High <sup>⑧</sup>
500-600	3000	3430	3860	4280	4710	5140	5570	6000
700-800	4000	4570	5140	5710	6280	6850	7420	8000

①MXD6 circuit breakers are CSA Certified / UL Listed for reverse connection applications.

②2-pole units available in 3-pole width only.

③Use 6 connectors for 3-pole, use 4 connectors for 2-pole.

④ When wired as shown on page 5-4, this circuit breaker is CSA Certified / UL Listed and rated for use on 500V DC ungrounded UPS systems.

⑤ See Note: A, page 5-147.

⑥80% rated breakers with the CE mark will also be marked in the 100% rated version.

⑦ HACR rated.

⑧ +/- 20% Tolerance.

Note: MD frame qualified to UL489 supplement B "NAVAL" See page 5-150 for additional information.

### Ordering Information

#### Complete Breaker Unassembled with Lugs

Pricing information for MD6 and HMD6 breakers includes frame, trip, and both line and load lugs (TA3K500). When ordered by these catalogue numbers, the customer will receive the frame, trip and lugs separately packaged. For applications requiring different lugs, order individual items as needed.

#### Complete Breaker Assembled without Lugs

Prices of MXD6, HMXD6 and CMD6 include frame with non-interchangeable trip units installed only. Order required lugs separately. For line and load lugs (TA3K500) installed, add suffix "L" to catalogue number (add 2 times list price of lugs for each pole).

#### 100% Rated<sup>⑥</sup>

Types MXD6, HMXD6 and CMD6 breakers are available with 100% ratings. To order add suffix "H" to catalogue number, and 10% to list price. 100% rated MD breakers require the use of 90°C Cu cable and lugs 2TA4P8500 or 2TA2N8750 for 2-pole; 3TA4P8500 or 3TA2N8750 for 3-pole.

50°C Applications see page 5-137.

400Hz Applications see page 5-137.

### Shipping Weights

Number of Poles	Number per Carton	Shipping Weight (lbs.)
MD6, HMD6, HMXD6, CMD6		
Complete Breaker Assembled (less lugs)		
2	1	53
3	1	61.5
MD6, HMD6 Frame Only		
2	1	42.25
3	1	46
MD6, HMD6 Trip Unit Only		
2	1	4.5
3	1	6.5

Modifications page 5-150  
Accessories page 5-151 - 5-159

# Molded Case Circuit Breakers

## MD 800A Frame Sentron Series

## Selection/Dimensions

Type HMXD6<sup>③</sup>

Black Label

Non-Interchangeable Trip (Assembled Circuit Breaker without Lugs)		
Continuous Current Rating @ 40°C	2-Pole	3-Pole
		600V AC/250V DC
		Catalogue Number
600	For 2-pole application use outside poles of 3-pole circuit breaker	HMXD63B600
700		HMXD63B700
800		HMXD63B800

Type HMD6<sup>⑤</sup>

Black Label

Interchangeable Trip			
Continuous Current Rating @ 40°C	Complete Breaker Unassembled with Lugs	Frame Only	Trip Unit Only
	Catalogue Number	Catalogue Number	Catalogue Number

2-Pole 600V AC, 250V DC<sup>②</sup>

Continuous Current Rating @ 40°C	Complete Breaker Unassembled with Lugs	Frame Only	Trip Unit Only
500	HMD62B500	HMD62F800	MD62T500
600	HMD62B600		MD62T600
700	HMD62B700		MD62T700
800	HMD62B800		MD62T800

3-Pole 600V AC, 500V DC<sup>④</sup>

Continuous Current Rating @ 40°C	Complete Breaker Unassembled with Lugs	Frame Only	Trip Unit Only
500	HMD63B500	HMD63F800	MD63T500
600	HMD63B600		MD63T600
700	HMD63B700		MD63T700
800	HMD63B800		MD63T800

Type CMD6<sup>⑤</sup>

Fuseless Current Limiting

Red Label

Non-Interchangeable Trip (Assembled Circuit Breaker Without Lugs)		
Continuous Current Rating @ 40°C	2-Pole	3-Pole
		600V AC/250V DC
		Catalogue Number
500	For 2-pole application use outside poles of 3-pole circuit breaker	CMD63B500
600		CMD63B600
700		CMD63B700
800		CMD63B800

Interrupting Ratings

Breaker Type	RMS Symmetrical Amperes (KA)										
	CSA / UL 489 AIR (File E10848)					IEC 947-2					
	Volts AC (50/60Hz)			Volts DC		Volts AC (50/60Hz)					
	240	480	600	250	500 <sup>③</sup>	220/240		380/415		500	
MD6, MXD6	65	50	25	30 (2-P)	25 (3-P)	65	33	40	20	30	15
HMD6, HMXD6	100	65	50	30 (2-P)	50 (3-P)	100	50	65	33	42	21
CMD6	200	100	65	30 (2-P)	50 (3-P)	200	100	100	50	65	33

For inches / millimeters conversion, see Technical section.

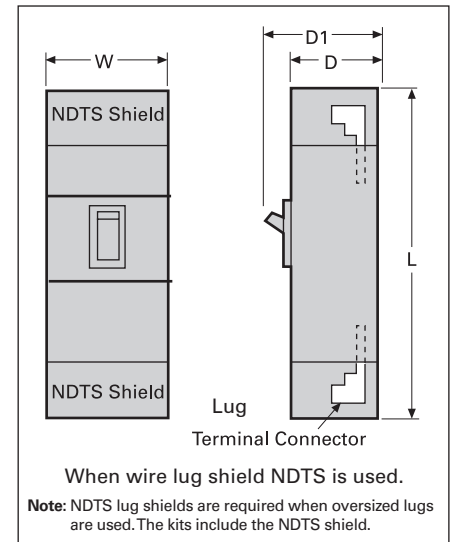
③HMXD6 circuit breakers are CSA Certified / UL Listed for reverse connection applications.

②2-pole units available in 3-pole width only.

④MXD6-ETI, CMD6-ETI see page 5-117 for catalogue information.

④When wired as shown on page 5-4, this circuit breaker is CSA Certified / UL Listed and rated for use on 500V DC ungrounded UPS systems only.

⑤HACR rated.



Dimensions (in inches)

Breaker Type	W	L	D	D1
MD6, MXD6, HMD6, HMXD6, CMD6, MXD6-ETI, CMD6-ETI	9	16	6	8.25
with lug shields	9	24	6	8.25



# Molded Case Circuit Breakers

## SMD 800A Frame Digital Solid State Sentron Sensitrip IV Series

Selection

Type SMD6

Blue Label

Type SHMD6-B

Black Label

Current Limiting

Type SCMD6-B

Red Label

Max Current Rating	3-Pole, 600V AC		3-Pole, 600V AC		3-Pole, 600V AC	
	Catalogue Number (Advanced trip unit) <sup>③</sup>	Catalogue Number (Basic trip unit)	Catalogue Number (Advanced trip unit) <sup>③</sup>	Catalogue Number (Basic trip unit)	Catalogue Number (Advanced trip unit) <sup>③</sup>	Catalogue Number (Basic trip unit)
600	SMD6A600LI	SMD6B600LI	SHMD6A600LI	SHMD6B600LI	SCMD6A600LI	SCMD6B600LI
700	SMD6A700LI	SMD6B700LI	SHMD6A700LI	SHMD6B700LI	SCMD6A700LI	SCMD6B700LI
800	SMD6A800LI	SMD6B800LI	SHMD6A800LI	SHMD6B800LI	SCMD6A800LI	SCMD6B800LI
600	SMD6A600LIG	SMD6B600LIG	SHMD6A600LIG	SHMD6B600LIG	SCMD6A600LIG	SCMD6B600LIG
700	SMD6A700LIG	SMD6B700LIG	SHMD6A700LIG	SHMD6B700LIG	SCMD6A700LIG	SCMD6B700LIG
800	SMD6A800LIG	SMD6B800LIG	SHMD6A800LIG	SHMD6B800LIG	SCMD6A800LIG	SCMD6B800LIG
600	SMD6A600LSI	SMD6B600LSI	SHMD6A600LSI	SHMD6B600LSI	SCMD6A600LSI	SCMD6B600LSI
700	SMD6A700LSI	SMD6B700LSI	SHMD6A700LSI	SHMD6B700LSI	SCMD6A700LSI	SCMD6B700LSI
800	SMD6A800LSI	SMD6B800LSI	SHMD6A800LSI	SHMD6B800LSI	SCMD6A800LSI	SCMD6B800LSI
600	SMD6A600LSIG	SMD6B600LSIG	SHMD6A600LSIG	SHMD6B600LSIG	SCMD6A600LSIG	SCMD6B600LSIG
700	SMD6A700LSIG	SMD6B700LSIG	SHMD6A700LSIG	SHMD6B700LSIG	SCMD6A700LSIG	SCMD6B700LSIG
800	SMD6A800LSIG	SMD6B800LSIG	SHMD6A800LSIG	SHMD6B800LSIG	SCMD6A800LSIG	SCMD6B800LSIG

## SMD 800A Frame – 100% Rated<sup>①</sup>

Blue Label

Black Label

Current Limiting

Red Label

Max Current Rating	3-Pole, 600V AC		3-Pole, 600V AC		3-Pole, 600V AC	
	Catalogue Number (Advanced trip unit) <sup>③</sup>	Catalogue Number (Basic trip unit)	Catalogue Number (Advanced trip unit) <sup>③</sup>	Catalogue Number (Basic trip unit)	Catalogue Number (Advanced trip unit) <sup>③</sup>	Catalogue Number (Basic trip unit)
600	SMD6A600LIH	SMD6B600LIH	SHMD6A600LIH	SHMD6B600LIH	SCMD6A600LIH	SCMD6B600LIH
700	SMD6A700LIH	SMD6B700LIH	SHMD6A700LIH	SHMD6B700LIH	SCMD6A700LIH	SCMD6B700LIH
800	SMD6A800LIH	SMD6B800LIH	SHMD6A800LIH	SHMD6B800LIH	SCMD6A800LIH	SCMD6B800LIH
600	SMD6A600LIGH	SMD6B600LIGH	SHMD6A600LIGH	SHMD6B600LIGH	SCMD6A600LIGH	SCMD6B600LIGH
700	SMD6A700LIGH	SMD6B700LIGH	SHMD6A700LIGH	SHMD6B700LIGH	SCMD6A700LIGH	SCMD6B700LIGH
800	SMD6A800LIGH	SMD6B800LIGH	SHMD6A800LIGH	SHMD6B800LIGH	SCMD6A800LIGH	SCMD6B800LIGH
600	SMD6A600LSIH	SMD6B600LSIH	SHMD6A600LSIH	SHMD6B600LSIH	SCMD6A600LSIH	SCMD6B600LSIH
700	SMD6A700LSIH	SMD6B700LSIH	SHMD6A700LSIH	SHMD6B700LSIH	SCMD6A700LSIH	SCMD6B700LSIH
800	SMD6A800LSIH	SMD6B800LSIH	SHMD6A800LSIH	SHMD6B800LSIH	SCMD6A800LSIH	SCMD6B800LSIH
600	SMD6A600LSIGH	SMD6B600LSIGH	SHMD6A600LSIGH	SHMD6B600LSIGH	SCMD6A600LSIGH	SCMD6B600LSIGH
700	SMD6A700LSIGH	SMD6B700LSIGH	SHMD6A700LSIGH	SHMD6B700LSIGH	SCMD6A700LSIGH	SCMD6B700LSIGH
800	SMD6A800LSIGH	SMD6B800LSIGH	SHMD6A800LSIGH	SHMD6B800LSIGH	SCMD6A800LSIGH	SCMD6B800LSIGH

5  
MOLDED CASE  
CIRCUIT BREAKERS

Ordering Information		
Pricing information for all Digital Sentron Series MD frames is for complete breaker only. Price requires lugs or lug kits as separate items. Lugs are suitable for 75°C wire or as noted. Connector wire ranges and cavities are established in conjunction with Table 6.1.4.2.1 of UL 489 standards. Choose actual connector for circuit breakers based on customer requirements.		
Recommended Terminal Connectors		
Breaker Frame	Ampere Rating	Connector or Connector Kit
MD	500-600	TA2K500
MD	700-800	TA3K500
Types SMD6-B, SHMD6-B and SCMD6-B are acceptable for reverse connection applications		

## Lugs for 75°C Wire<sup>②</sup>

Catalogue Number	Cables per Lug	Wire Range	Each kit contains the following:
TA2K500	2	#1-500 kcmil Cu/Al	
TA3K500	3	#1-500 kcmil Cu/Al	
TC2K500	2	#1-500 kcmil Cu	
TC3K350	3	#1-350 kcmil Cu	
Kits (3 lugs/kit)			
3TA4N8500	4	250-500 kcmil Cu/Al	
3TA4P8500	4	250-500 kcmil Cu/Al	
3TA2N8750	2	500-750 kcmil Cu/Al	
3TA3N8750	3	500-750 kcmil Cu/Al	

## Trip Unit Adjustable Functions

Suffix Letter Code	Trip Type	Cont Current Setting	Long Time Delay	Instantaneous Pick Up	Short Time Pick Up	Short Time Delay	Ground Fault Pick Up	Ground Fault Delay
LI	LI	✓	✓	✓				
LIG	LIG	✓	✓	✓			✓	✓
LSI	LSI	✓	✓	✓	✓	✓		
LSIG	LSIG	✓	✓	✓	✓	✓	✓	✓

## Interrupting Ratings

Breaker Type	RMS Symmetrical kA UL 489 (File E10848)		
	240V AC	480V AC	600V AC
SMD6-B	65	50	25
SHMD6-B	100	65	50
SCMD6-B	200	100	65

## Neutral Transformers

Ampere Rating	Catalogue Number
600	N06SMDA
700	N07SMDA
800	N08SMDA

Note: "G" suffix in catalog number denotes circuit breaker for 3-phase, 3-wire circuits. For 3-phase, 4-wire, order correct 4th wire (neutral) transformer as separate and additional item.

① Use 2-3TA4P8500 for 3-pole. These kits are rated for 90°C wire. 90°C Cu only cable must be used, and sized per 75°C ampacity.  
② For additional information, see Note: A, page 5-147.

③ Advanced trip unit equipped with DAS / Maintenance Mode. Requires customer-supplied 24V external power supply, maintenance switch and light.

Enclosures page 5-139 – 5-146  
Accessories pages 5-151 - 5-159

# Molded Case Circuit Breakers

## Internal Accessories

*Selection*

Accessories for:

**MD/SMD 800A Frame**  
**ND/SND 1200A Frame**  
**PD/SPD 1600A Frame**  
**RD 2000A Frame**



Accessory modules can mount in either left hand or right hand poles of all circuit breakers, including solid state. Exception: when mechanical interlock is used accessories cannot be mounted in left pole.

### Shunt Trip Combinations

Control Voltage		1 Shunt Trip	1 Shunt Trip and 1 Auxiliary Switch
AC	DC	Catalogue Number	Catalogue Number
120	—	S01MN6	S01MN64A
208	—	S02MN6	S02MN64A
240	—	S03MN6	S03MN64A
277	—	S15MN6	S15MN64A
480	—	S04MN6	S04MN64A
600	—	S06MN6	—
—	12	S16MN6	S16MN64A
—	24	S07MN6	S07MN64A
—	48	S09MN6	—
—	125	S11MN6	S11MN64A
—	250	S13MN6	S13MN64A

### Undervoltage Trip Combinations

Control Voltage		1 Undervoltage Trip	1 Undervoltage Trip and 1 Auxiliary Switch	1 Undervoltage Trip and 2 Auxiliary Switches
AC	DC	Catalogue Number	Catalogue Number	Catalogue Number
120	—	U01MN6	U01MN64A	U01MN64AA
208	—	U02MN6	U02MN64A	U02MN64AA
240	—	U03MN6	U03MN64A	U03MN64AA
277	—	U15MN6	U15MN64A	U15MN64AA
480	—	U04MN6	U04MN64A	U04MN64AA
600	—	U06MN6	—	—
—	24	U07MN6	U07MN64A	U07MN64AA
—	48	U09MN6	U09MN64A	U09MN64AA
—	125	U11MN6	U11MN64A	U11MN64AA
—	250	U13MN6	U13MN64A	U13MN64AA

### Auxiliary Switch Combinations

Maximum Voltage		1 Form C	2 Form C
AC	DC	Catalogue Number	Catalogue Number
480	250	A01MN64	A02MN64
—	12	A01MNDLV	A02MNDLV

### Alarm Switch Combinations

Maximum Voltage		1 Alarm Switch	1 Alarm Switch and 1 Auxiliary Switch	1 Alarm Switch and 2 Auxiliary Switches
AC	DC	Catalogue Number	Catalogue Number	Catalogue Number
480	250	B00MN64	A01MN64B	A02MN64B

### ETU Testing Unit

Breaker Type	Description	Catalogue Number
SJD, SLD, SMD, SND, SPD	Power Stick	EPSP18V
	Spare cable for Power Stick	COMPCA

The EPSP18V Power Stick is a hand-held, battery-operated power supply that can be used for trip testing the Sensitrip IV electronic trip units. Requires two 9V batteries.

# Molded Case Circuit Breakers

## ND 1200A Frame Sentron Series

Selection

Type NXD6<sup>①</sup>

Blue Label

Non-Interchangeable Trip (Assembled Circuit Breaker without Lugs)		
Continuous Current Rating @ 40°C	2-Pole 600V AC/ 250V DC	3-Pole 600V AC/500V DC
	Catalogue Number	Catalogue Number
900	NXD62B900	NXD63B900
1000	NXD62B100	NXD63B100
1200	NXD62B120	NXD63B120

Type ND6<sup>②</sup>

Blue Label

Interchangeable Trip			
Continuous Current Rating @ 40°C	Complete Breaker Unassembled with Lugs	Frame Only	Trip Unit Only
	Catalogue Number	Catalogue Number	Catalogue Number

### 2-Pole 600V AC, 250V DC<sup>②</sup>

Continuous Current Rating @ 40°C	Catalogue Number	Frame Only Catalogue Number	Trip Unit Only Catalogue Number
800	ND62B800	ND62F120	MD62T800
900	ND62B900		MD62T900
1000	ND62B100		MD62T100
1200	ND62B120		MD62T120

### 3-Pole 600V AC, 500V DC<sup>⑤</sup>

Continuous Current Rating @ 40°C	Catalogue Number	Frame Only Catalogue Number	Trip Unit Only Catalogue Number
800	ND63B800	ND63F120	MD63T800
900	ND63B900		MD63T900
1000	ND63B100		MD63T100
1200	ND63B120		MD63T120

## Interrupting Ratings

Breaker Type	RMS Symmetrical Amperes (KA)										
	CSA / UL 489 AIR (File E10848)					IEC 947-2					
	Volts AC (50/60Hz)			Volts DC		Volts AC (50/60Hz)					
	240	480	600	250	500 <sup>③</sup>	220/240		380/415		500	
					(lcu)	(lcs)	(lcu)	(lcs)	(lcu)	(lcs)	
ND6, NXD6	65	50	25	30 (2-P)	25 (3-P)	65	33	40	20	—	—
HND6, HNXD6	100	65	50	30 (2-P)	50 (3-P)	100	50	65	33	—	—
CND6	200	100	65	—	50 (3-P)	—	—	—	—	—	—

## Instantaneous Adjustment Trip Range

Breaker Ampere Rating	Nominal Instantaneous Values							
	Low <sup>④</sup>	2	3	4	5	6	7	High <sup>④</sup>
800	4000	4570	5140	5710	6280	6850	7420	8000
900-1200	5000	5715	6430	7145	7860	8575	9290	10000

① NXD6 circuit breakers are CSA Certified / UL Listed for reverse connection applications.

② 2-pole units available in 3-pole width only.

③ When wired as shown on page 5-4, this circuit breaker is CSA Certified / UL Listed and rated for use on 500VDC ungrounded UPS systems only.

④ Use 6 connectors for 3-pole, use 4 connectors for 2-pole.

⑤ Use 2 - 3TA4P8500 kits for 3-pole, or 2 - 2TA4P8500 kits for 2-pole. Rated for 90°C cable. Use for 100% rated breakers.

⑥ Use 2 - 3TA4N8500 for 3-pole or 2 - 2TA4N8500 for 2-pole. Rated for 75°C cable.

⑦ See **Note: A**, page 5-147.

⑧ 80% rated breakers with the CE mark will also be marked in the 100% rated version.

⑨ HACR rated.

⑩ +/- 20% Tolerance.

**Note:** ND frame qualified to UL489 supplement B "NAVAL" See page 5-150 for additional information.

## Ordering Information

### Complete Breaker Unassembled with Lugs

Prices of ND6 and HND6 breakers include frame, trip, and both line and load lugs (3TA4N8500). These catalogue numbers are the frame, trip and lugs separately packaged. For applications requiring different lugs, order individual items as needed.

### Complete Breaker Assembled without Lugs

Prices of NXD6, HNXD6, and CND6 include frame with non-interchangeable trip units installed only. Order required terminal connectors separately.

For line and load lugs (3TA4N8500) installed, add suffix "L" to catalogue number (add 2 times list price of lug kit).

### 100% Rated<sup>⑧</sup>

Types NXD6, HNXD6 and CND6 breakers are available with 100% ratings. To order, suffix "H" to catalogue number, and add 10% to list price. 100% rated ND breakers require 90°C Cu cable and lug kit 3TA4P8500 or 3TA3N8750.

**50°C Applications** see page 5-137.

**400Hz Applications** see page 5-137.

## Lugs<sup>⑦</sup>

Catalogue Number	Cables per Lug	Wire Range
TA2K500	2	#1-500 kcmil Cu/ Al
TA3K500	3	#1-500 kcmil Cu/ Al
TC2K500	2	#1-500 kcmil Cu
TC3K350	3	#1-350 kcmil Cu
Kits (2 Kits required per breaker)		
2TA4P8500 <sup>⑤</sup>	4	250-500 kcmil Cu/ Al
3TA4P8500 <sup>⑤</sup>		
2TA4N8500 <sup>⑥</sup>	4	250-500 kcmil Cu/ Al
3TA4N8500 <sup>⑥</sup>		
2TA2N8750	2	500-750 kcmil Cu/ Al
3TA2N8750		
2TA3N8750	3	500-750 kcmil Cu/ Al
3TA3N8750		

Modifications page 5-150  
Accessories page 5-151 - 5-159

# Molded Case Circuit Breakers

## ND 1200A Frame Sentron Series

## Selection/Dimensions

Type HNXD6<sup>①④</sup>

Black Label

Non-Interchangeable Trip (Assembled Circuit Breaker without Lugs)		
Continuous Current Rating @ 40°C	2-Pole 600V AC/250V DC	3-Pole 600V AC/500V DC Catalogue Number
900 1000 1200	For 2-pole application use outside poles of 3-pole circuit breaker	HNXD63B900 HNXD63B100 HNXD63B120



Type HND6<sup>④</sup>

Black Label

Interchangeable Trip			
Continuous Current Rating @ 40°C	Complete Breaker Unassembled with Lugs	Frame Only	Trip Unit Only
	Catalogue Number	Catalogue Number	Catalogue Number

2-Pole 600V AC, 250V DC<sup>②</sup>

800 900 1000 1200	For 2-pole application use outside poles of 3-pole circuit breaker
----------------------------	--

3-Pole 600V AC, 500V DC<sup>⑤</sup>

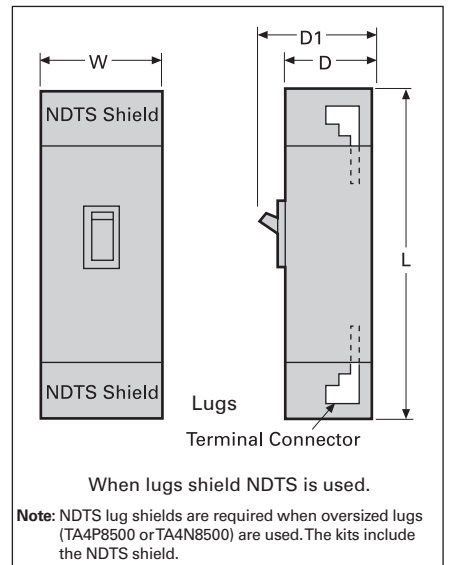
800 900 1000 1200	HND63B800 HND63B900 HND63B100 HND63B120	HND63F120	MD63T800 ND63T900 ND63T100 ND63T120
----------------------------	--	-----------	--

Type CND6<sup>①④</sup>

Red Label

Fuseless Current Limiting

Non-Interchangeable Trip (Assembled Circuit Breaker)		
Continuous Current Rating @ 40°C	2-Pole	3-Pole Catalogue Number
900 1000 1200	For 2-pole application, use outside poles of 3-pole circuit breaker	CND63B900 CND63B100 CND63B120



Dimensions (in inches)

Breaker Type	W	L	D	D1
ND6, NXD6, HND6, HNXD6, CND6	9	16	6	8.25
with NDTs lug shield	9	29	6	8.25

Shipping Weights

Number of Poles	Number per Carton	Shipping Weight (lbs.)
<b>ND6, HND6, NXD6, HNXD6, CND6 Assembled Breaker (less terminals)</b>		
2	1	53
3	1	61.5
<b>ND6, HND6 Frame Only</b>		
2	1	42.25
3	1	46
<b>ND6, HND6 Trip Unit Only</b>		
2	1	4.5
3	1	6.5

For inches / millimeters conversion, see Technical section.

① HNXD6 and CND6 circuit breakers are CSA Certified / UL Listed for reverse connection applications.  
② 2-pole units available in 3-pole width only.

③ When wired as shown on page 5-4, this circuit breaker is CSA Certified / UL Listed and rated for use on 500V DC ungrounded UPS systems only.

④ HACR rated.

# Molded Case Circuit Breakers

## SND 1200A Frame Digital Solid State Sentron Sensitrip IV Series<sup>②</sup>

Selection

Type SND6-B

Blue Label

Type SHND6-B

Black Label

Current Limiting

Type SCND6-B

Red Label

Max Current Rating	3-Pole, 600V AC		3-Pole, 600V AC		3-Pole, 600V AC	
	Catalogue Number (Advanced trip unit) <sup>③</sup>	Catalogue Number (Basic trip unit)	Catalogue Number (Advanced trip unit) <sup>③</sup>	Catalogue Number (Basic trip unit)	Catalogue Number (Advanced trip unit) <sup>③</sup>	Catalogue Number (Basic trip unit)
800	SND6A800LI	SND6B800LI	SHND6A800LI	SHND6B800LI	SCND6A800LI	SCND6B800LI
1000	SND6A100LI	SND6B100LI	SHND6A100LI	SHND6B100LI	SCND6A100LI	SCND6B100LI
1200	SND6A120LI	SND6B120LI	SHND6A120LI	SHND6B120LI	SCND6A120LI	SCND6B120LI
800	SND6A800LIG	SND6B800LIG	SHND6A800LIG	SHND6B800LIG	SCND6A800LIG	SCND6B800LIG
1000	SND6A100LIG	SND6B100LIG	SHND6A100LIG	SHND6B100LIG	SCND6A100LIG	SCND6B100LIG
1200	SND6A120LIG	SND6B120LIG	SHND6A120LIG	SHND6B120LIG	SCND6A120LIG	SCND6B120LIG
800	SND6A800LSI	SND6B800LSI	SHND6A800LSI	SHND6B800LSI	SCND6A800LSI	SCND6B800LSI
1000	SND6A100LSI	SND6B100LSI	SHND6A100LSI	SHND6B100LSI	SCND6A100LSI	SCND6B100LSI
1200	SND6A120LSI	SND6B120LSI	SHND6A120LSI	SHND6B120LSI	SCND6A120LSI	SCND6B120LSI
800	SND6A800LSIG	SND6B800LSIG	SHND6A800LSIG	SHND6B800LSIG	SCND6A800LSIG	SCND6B800LSIG
1000	SND6A100LSIG	SND6B100LSIG	SHND6A100LSIG	SHND6B100LSIG	SCND6A100LSIG	SCND6B100LSIG
1200	SND6A120LSIG	SND6B120LSIG	SHND6A120LSIG	SHND6B120LSIG	SCND6A120LSIG	SCND6B120LSIG

## SND 1200A Frame – 100% Rated<sup>①</sup>

Type SND6-B

Blue Label

Type SHND6-B

Black Label

Current Limiting

Type SCND6-B

Red Label

Max Current Rating	3-Pole, 600V AC		3-Pole, 600V AC		3-Pole, 600V AC	
	Catalogue Number (Advanced trip unit) <sup>③</sup>	Catalogue Number (Basic trip unit)	Catalogue Number (Advanced trip unit) <sup>③</sup>	Catalogue Number (Basic trip unit)	Catalogue Number (Advanced trip unit) <sup>③</sup>	Catalogue Number (Basic trip unit)
800	SND6A800LIH	SND6B800LIH	SHND6A800LIH	SHND6B800LIH	SCND6A800LIH	SCND6B800LIH
1000	SND6A100LIH	SND6B100LIH	SHND6A100LIH	SHND6B100LIH	SCND6A100LIH	SCND6B100LIH
1200	SND6A120LIH	SND6B120LIH	SHND6A120LIH	SHND6B120LIH	SCND6A120LIH	SCND6B120LIH
800	SND6A800LIGH	SND6B800LIGH	SHND6A800LIGH	SHND6B800LIGH	SCND6A800LIGH	SCND6B800LIGH
1000	SND6A100LIGH	SND6B100LIGH	SHND6A100LIGH	SHND6B100LIGH	SCND6A100LIGH	SCND6B100LIGH
1200	SND6A120LIGH	SND6B120LIGH	SHND6A120LIGH	SHND6B120LIGH	SCND6A120LIGH	SCND6B120LIGH
800	SND6A800LSIH	SND6B800LSIH	SHND6A800LSIH	SHND6B800LSIH	SCND6A800LSIH	SCND6B800LSIH
1000	SND6A100LSIH	SND6B100LSIH	SHND6A100LSIH	SHND6B100LSIH	SCND6A100LSIH	SCND6B100LSIH
1200	SND6A120LSIH	SND6B120LSIH	SHND6A120LSIH	SHND6B120LSIH	SCND6A120LSIH	SCND6B120LSIH
800	SND6A800LSIGH	SND6B800LSIGH	SHND6A800LSIGH	SHND6B800LSIGH	SCND6A800LSIGH	SCND6B800LSIGH
1000	SND6A100LSIGH	SND6B100LSIGH	SHND6A100LSIGH	SHND6B100LSIGH	SCND6A100LSIGH	SCND6B100LSIGH
1200	SND6A120LSIGH	SND6B120LSIGH	SHND6A120LSIGH	SHND6B120LSIGH	SCND6A120LSIGH	SCND6B120LSIGH

5 MOLDED CASE CIRCUIT BREAKERS

## Trip Unit Adjustable Functions

Suffix Letter Code	Trip Type	Cont Current Setting	Long Time Delay	Instantaneous Pick Up	Short Time Pick Up	Short Time Fixed Pick Up	Short Time I <sub>t</sub> Delay	Ground Fault Pick Up	Ground Fault Delay
LI	LI	✓	✓	✓					
LIG	LIG	✓	✓	✓				✓	✓
LSI	LSI	✓	✓	✓	✓	✓	✓		
LSIG	LSIG	✓	✓	✓	✓	✓	✓	✓	✓

## Interrupting Ratings

Breaker Type	RMS Symmetrical kA UL 489 (File E10848)		
	240V AC	480V AC	600V AC
SND6-B	65	50	25
SHND6-B	100	65	50
SCND6-B	200	100	65

## Neutral Transformers

Ampere Rating	Catalogue Number
800	N08SMDA
1000	N10SNDA
1200	N12SNDA

For inches / millimeters conversion, see Technical Data section.

For ordering information to terminal connectors see page 5-147 - 5-149; for enclosures, see page 5-139 - 5-146.

**Note:** "G" suffix in catalog number denotes circuit breaker for 3-phase, 3-wire circuits.  
For 3-phase, 4-wire, order correct 4th wire (neutral) transformer as separate and additional item.

All breakers built to order. Allow 2-3 weeks for delivery.

① Use 2-3TA4P8500 for 3-pole. These kits are rated for 90°C wire. 90°C Cu only cable must be used, and sized per 75°C ampacity.

② SND6, SHND6 and SCND6 circuit breakers are UL Listed for reverse connection applications.

③ Advanced trip unit equipped with DAS / Maintenance

Mode. Requires customer-supplied 24V external power supply, maintenance switch and light.

# Molded Case Circuit Breakers

## Internal Accessories

Selection

Accessories for:

MD/SMD 800A Frame  
ND/SND 1200A Frame  
PD/SPD 1600A Frame  
RD 2000A Frame



Accessory modules can mount in either left hand or right hand poles of all circuit breakers, including solid state. Exception: when mechanical interlock is used accessories cannot be mounted in left pole.

### Shunt Trip Combinations

Control Voltage		1 Shunt Trip	1 Shunt Trip and 1 Auxiliary Switch
AC	DC	Catalogue Number	Catalogue Number
120	—	S01MN6	S01MN64A
208	—	S02MN6	S02MN64A
240	—	S03MN6	S03MN64A
277	—	S15MN6	S15MN64A
480	—	S04MN6	S04MN64A
600	—	S06MN6	—
—	12	S16MN6	S16MN64A
—	24	S07MN6	S07MN64A
—	48	S09MN6	—
—	125	S11MN6	S11MN64A
—	250	S13MN6	S13MN64A

### Undervoltage Trip Combinations

Control Voltage		1 Undervoltage Trip	1 Undervoltage Trip and 1 Auxiliary Switch	1 Undervoltage Trip and 2 Auxiliary Switches
AC	DC	Catalogue Number	Catalogue Number	Catalogue Number
120	—	U01MN6	U01MN64A	U01MN64AA
208	—	U02MN6	U02MN64A	U02MN64AA
240	—	U03MN6	U03MN64A	U03MN64AA
277	—	U15MN6	U15MN64A	U15MN64AA
480	—	U04MN6	U04MN64A	U04MN64AA
600	—	U06MN6	—	—
—	24	U07MN6	U07MN64A	U07MN64AA
—	48	U09MN6	U09MN64A	U09MN64AA
—	125	U11MN6	U11MN64A	U11MN64AA
—	250	U13MN6	U13MN64A	U13MN64AA

### Auxiliary Switch Combinations

Maximum Voltage		1 Form C	2 Form C
AC	DC	Catalogue Number	Catalogue Number
480	250	A01MN64	A02MN64
—	12	A01MNDLV	A02MNDLV

### Alarm Switch Combinations

Maximum Voltage		1 Alarm Switch	1 Alarm Switch and 1 Auxiliary Switch	1 Alarm Switch and 2 Auxiliary Switches
AC	DC	Catalogue Number	Catalogue Number	Catalogue Number
480	250	B00MN64	A01MN64B	A02MN64B

### ETU Testing Unit

Breaker Type	Description	Catalogue Number
SJD, SLD, SMD, SND, SPD	Power Stick	EPSP18V
	Spare cable for Power Stick	COMPCA

The EPSP18V Power Stick is a hand-held, battery-operated power supply that can be used for trip testing the Sensitrip IV electronic trip units. Requires two 9V batteries.



# Molded Case Circuit Breakers

## PD 1600A Frame Sentron Series

*Selection*

Type PXD6<sup>2</sup> Non-Interchangeable Trip<sup>5</sup>

3-Pole 600V AC, 250-500V DC<sup>1</sup>

Blue Label

Continuous Current Rating @ 40°C	Complete Breaker Assembled (Frame/Trip Unit Only)	Mounting Assembly	Lugs (6 required)
	Catalogue Number	Catalogue Number	Catalogue Number
1200	PXD63B120	MB9301	TA5P600
1400	PXD63B140	-or-	
1600	PXD63B160	MBR9302	

Type PD6 Interchangeable Trip<sup>5</sup>

3-Pole 600V AC, 250-500V DC<sup>1</sup>

Blue Label

Continuous Current Rating @ 40°C	Complete Breaker Unassembled	Frame Only	Trip Unit Only	Mounting Assembly	Lugs (6 required)
	Catalogue Number	Catalogue Number	Catalogue Number	Catalogue Number	Catalogue Number
1200	PD63B120	PD63F160	PD63T120	MB9301	TA5P600
1400	PD63B140		PD63T140	-or-	
1600	PD63B160		PD63T160	MBR9302	

Type HPXD6<sup>2</sup> Non-Interchangeable Trip<sup>5</sup>

3-Pole 600V AC, 250-500V DC<sup>1</sup>

Blue Label

Continuous Current Rating @ 40°C	Complete Breaker Assembled (Frame/Trip Unit Only)	
	Catalogue Number	
1200	HPXD63B120	
1400	HPXD63B140	
1600	HPXD63B160	

Type HPD6 Interchangeable Trip<sup>5</sup>

3-Pole 600V AC, 250-500V DC<sup>1</sup>

Black Label

Continuous Current Rating @ 40°C	Complete Breaker Unassembled	Frame Only	Trip Unit Only	Mounting Assembly	Lugs (6 required)
	Catalogue Number	Catalogue Number	Catalogue Number	Catalogue Number	Catalogue Number
1200	HPD63B120	HPD63F160	PD63T120	MB9301	TA5P600
1400	HPD63B140		PD63T140	-or-	
1600	HPD63B160		PD63T160	MBR9302	

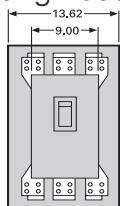
Type CPD6 Non-Interchangeable Trip<sup>5</sup>

Fuseless Current Limiting  
3-Pole 600V AC, 250-500V DC<sup>1</sup>

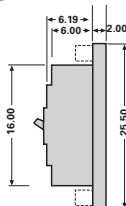
Red Label

Continuous Current Rating @ 40°C	Complete Breaker Assembled (Frame/Trip Unit Only)
	Catalogue Number
1200	CPD63B120
1400	CPD63B140
1600	CPD63B160

### Mounting Bases for PD & RD



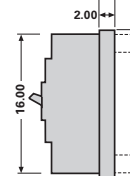
MB9301



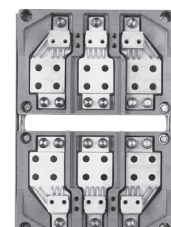
MB9301



MB9301



MBR9302



MBR9302

<sup>1</sup> Use two outside poles of a 3-pole circuit breaker for 250V  
<sup>2</sup> When wired as shown on page 5-4, this circuit breaker is CSA Certified / UL Listed and rated for use on 500V DC ungrounded UPS systems only.

<sup>3</sup> PXD6, HPXD6 and CPD6 type circuit breakers are CSA Certified / UL Listed for reverse feed applications.  
<sup>4</sup> For additional information See **Note: A**, page 5-147.  
<sup>5</sup> HACR rated.

**Note:** PD frame qualified to UL489 supplement B "NAVAL"  
See page 5-150 for additional information.

### Ordering Instructions

#### Complete Breaker Unassembled with Lugs

Prices of PD6, HPD6, RD6, and HRD6 type breakers include frame, trip, mounting base (MB9301), and both line and load lugs (PD Frame – TA5P600, RD Frame – TC5R600). When ordered by these catalogue numbers, the customer will receive the frame, trip, mounting assembly and lugs separately packaged. For applications requiring different mounting base or lugs, order individual items as needed.

#### Complete Breaker Assembled without Lugs

Prices of PXD6, HPXD6, RXD6, HRXD6 and CPD6 type breakers include frame with non-interchangeable trip unit installed only. Order required mounting base and lugs separately.

#### 100% Rated (3-Pole only)

Types PXD6, HPXD6 breakers are available with 100% ratings. To order add suffix "H" to catalogue number, and 10% to list price. 100% PD breakers require 90° C cable sized at 75° C ampacity and TC5R600 lugs. RD 2000A Frames not available with 100% ratings.

**50°C Applications** see page 5-137.

**400HZ Applications** see page 5-137.

Lugs (6 required per breaker)<sup>4</sup>

Catalogue Number	No of Cables per Connector	Wire Range
TA5P600	1-5	300-600 kcmil Cu/Al
TC5R600	1-5	300-600 kcmil Cu only
TA4P750	1-4	500-750 kcmil Cu/Al
TA6R600	1-6	300-600 kcmil Cu/Al

### Interrupting Ratings

Breaker Type	CSA 22.2 No. 5 / UL 489 A IR				
	RMS Symmetrical KA				
	Volts AC			Volts DC <sup>1</sup>	
	240	480	600	250	500
PD6, PXD6	65	50	25	30 (2P)	25 (3P)
HPD6, HPXD6	100	65	50	30 (2P)	50 (3P)
CPD6	200	100	65	30 (2P)	50 (3P)

# Molded Case Circuit Breakers

## SPD 1600A Frame Digital Solid State Sentron Sensitrip IV Series

*Selection/Dimensions*

Type SPD6-B

Blue Label

Type SHPD6-B

Black Label

Max Current Rating	3-Pole, 600V AC		3-Pole, 600V AC	
	Catalogue Number (Advanced trip unit) <sup>③</sup>	Catalogue Number (Basic trip unit)	Catalogue Number (Advanced trip unit) <sup>③</sup>	Catalogue Number (Basic trip unit)
1400	SPD6A140LI	SPD6B140LI	SHPD6A140LI	SHPD6B140LI
1600	SPD6A160LI	SPD6B160LI	SHPD6A160LI	SHPD6B160LI
1400	SPD6A140LIG	SPD6B140LIG	SHPD6A140LIG	SHPD6B140LIG
1600	SPD6A160LIG	SPD6B160LIG	SHPD6A160LIG	SHPD6B160LIG
1400	SPD6A140LSI	SPD6B140LSI	SHPD6A140LSI	SHPD6B140LSI
1600	SPD6A160LSI	SPD6B160LSI	SHPD6A160LSI	SHPD6B160LSI
1400	SPD6A140LSIG	SPD6B140LSIG	SHPD6A140LSIG	SHPD6B140LSIG
1600	SPD6A160LSIG	SPD6B160LSIG	SHPD6A160LSIG	SHPD6B160LSIG

### Ordering Information

Pricing information for all Digital Sentron Series PD frame unit is for breaker only. Price required mounting block assembly and necessary terminal connectors as separate items.

### Trip Unit Adjustable Functions

Suffix Letter Code	Trip Type	Cont Current Setting	Long Time Delay	Instantaneous Pick Up	Short Time Pick Up	Short Time Fixed Delay	Short Time f't Delay	Ground Fault Pick Up	Ground Fault Delay
LI	LI	✓	✓	✓					
LIG	LIG	✓	✓	✓				✓	✓
LSI	LSI	✓	✓	✓	✓	✓	✓		
LSIG	LSIG	✓	✓	✓	✓	✓	✓	✓	✓

### Neutral Transformers

Ampere Rating	Catalogue Number
1400	N14SPD
1600	N16SPD

### Interrupting Ratings

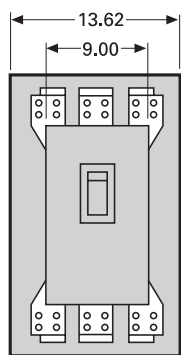
Breaker Type	RMS Symmetrical kA CSA 22.2 No. 5 / UL 489		
	240V AC	480V AC	600V AC
SPD6-B	65	50	25
SHPD6-B	100	65	50

### Mounting Block (Required)<sup>②</sup>

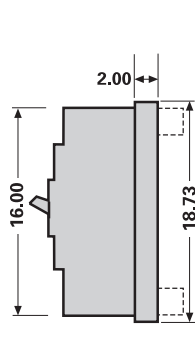
Catalogue Number
MB9301
MBR9302

5 MOLDED CASE CIRCUIT BREAKERS

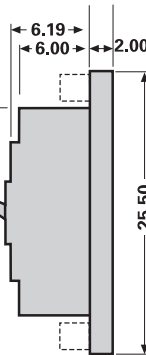
All PD, RD Frames:



MB9301 (shown)  
MBR9302



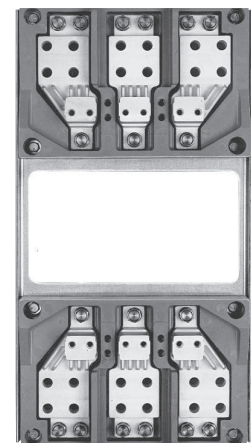
MBR9302



MB9301



MBR9302



MB9301

For inches / millimeters conversion, see Technical Data section.

Note: "G" suffix in catalog number denotes circuit breaker for 3-phase, 3-wire circuits. For 3-phase, 4-wire, order correct 4th wire (neutral) transformer as separate and additional item.

All breakers built to order. Allow 2-3 weeks for delivery.  
 ① For additional information, see Note: A, page 5-147.  
 ② The PD frame circuit breaker requires the use of a connect-all mounting assembly to allow for placing into service.

③ Advanced trip unit equipped with DAS / Maintenance Mode. Requires customer-supplied 24V external power supply, maintenance switch and light.

# Molded Case Circuit Breakers

## Internal Accessories

*Selection/Dimensions*

Accessories for:

**MD/SMD 800A Frame**  
**ND/SND 1200A Frame**  
**PD/SPD 1600A Frame**  
**RD 2000A Frame**



Accessory modules can mount in either left hand or right hand poles of all circuit breakers, including solid state. Exception: when mechanical interlock is used accessories cannot be mounted in left pole.

### Shunt Trip Combinations

Control Voltage		1 Shunt Trip	1 Shunt Trip and 1 Auxiliary Switch
AC	DC	Catalogue Number	Catalogue Number
120	—	S01MN6	S01MN64A
208	—	S02MN6	S02MN64A
240	—	S03MN6	S03MN64A
277	—	S15MN6	S15MN64A
480	—	S04MN6	S04MN64A
600	—	S06MN6	—
—	12	S16MN6	S16MN64A
—	24	S07MN6	S07MN64A
—	48	S09MN6	—
—	125	S11MN6	S11MN64A
—	250	S13MN6	S13MN64A

### Undervoltage Trip Combinations

Control Voltage		1 Undervoltage Trip	1 Undervoltage Trip and 1 Auxiliary Switch	1 Undervoltage Trip and 2 Auxiliary Switches
AC	DC	Catalogue Number	Catalogue Number	Catalogue Number
120	—	U01MN6	U01MN64A	U01MN64AA
208	—	U02MN6	U02MN64A	U02MN64AA
240	—	U03MN6	U03MN64A	U03MN64AA
277	—	U15MN6	U15MN64A	U15MN64AA
480	—	U04MN6	U04MN64A	U04MN64AA
600	—	U06MN6	—	—
—	24	U07MN6	U07MN64A	U07MN64AA
—	48	U09MN6	U09MN64A	U09MN64AA
—	125	U11MN6	U11MN64A	U11MN64AA1
—	250	U13MN6	U13MN64A	U13MN64AA

### Auxiliary Switch Combinations

Maximum Voltage		1 Form C*	2 Form C
AC	DC	Catalogue Number	Catalogue Number
480	250	A01MN64	A02MN64
—	12	A01MNDLV	A02MNDLV

### Alarm Switch Combinations

Maximum Voltage		1 Alarm Switch	1 Alarm Switch and 1 Auxiliary Switch	1 Alarm Switch and 2 Auxiliary Switches
AC	DC	Catalogue Number	Catalogue Number	Catalogue Number
480	250	B00MN64	A01MN64B	A02MN64B

### ETU Testing Unit

Breaker Type	Description	Catalogue Number
SJD, SLD, SMD, SND, SPD	Power Stick	EPSP18V
	Spare cable for Power Stick	COMPCA

The EPSP18V Power Stick is a hand-held, battery-operated power supply that can be used for trip testing the Sensitrip IV electronic trip units. Requires two 9V batteries.

# Molded Case Circuit Breakers

## RD 2000A Frame Sentron Series

Selection

Type RXD6<sup>④</sup>

3-Pole 600V AC, 250-500V DC<sup>①</sup>

Blue Label

Non-Interchangeable Trip (Assembled Circuit Breaker Only Without Lugs)			
Continuous Current Rating @ 40°C	Complete Breaker Assembled (Frame/Trip Unit Only) Catalogue Number	Mounting Assembly Catalogue Number	Lugs (6 required) Catalogue Number
1600	RXD63B160	MB9301	TC5R600
1800	RXD63B180	-or-	
2000	RXD63B200	MBR9302	

Type RD6<sup>④</sup>

3-Pole 600V AC, 250-500V DC<sup>①</sup>

Blue Label

Interchangeable Trip (Unassembled Circuit Breaker with Lugs)					
Continuous Current Rating @ 40°C	Complete Breaker Unassembled Catalogue Number	Frame Only Catalogue Number	Trip Unit Only Catalogue Number	Mounting Assembly Catalogue Number	Lugs (6 required) Catalogue Number
1600	RD63B160	RD63F200	RD63T160	MB9301	TC5R600
1800	RD63B180		RD63T180	-or-	
2000	RD63B200		RD63T200	MBR9302	

Type HRXD6<sup>④</sup>

Continuous Current Rating @ 40°C	Complete Breaker Assembled (Frame/Trip Unit Only)	
	Catalogue Number	
1600	HRXD63B160	
1800	HRXD63B180	
2000	HRXD63B200	

Type HRD6<sup>④</sup>

Black Label

Continuous Current Rating @ 40°C	Complete Breaker Unassembled Catalogue Number	Frame Only Catalogue Number	Trip Unit Only Catalogue Number	Mounting Assembly Catalogue Number	Lugs (6 required) Catalogue Number
1600	HRD63B160	HRD63F200	RD63T160	MB9301	TC5R600
1800	HRD63B180		RD63T180	-or-	
2000	HRD63B200		RD63T200	MBR9302	

### Interrupting Ratings

Breaker Type	CSA 22.2 No. 5 / UL 489 A IR					
	RMS Symmetrical KA					
	Volts AC			Volts DC <sup>①</sup>		
	240	480	600	250	500	
RD6, RXD6	65	50	25	30 (2P)	25 (3P)	
HRD6, HRXD6	100	65	50	30 (2P)	50 (3P)	

### Instantaneous Adjustment Trip Range (PD / RD Frames)

Breaker Ampere Rating	Nominal Instantaneous Values							
	±25% Tolerance Low							±20% Tolerance High
		2	3	4	5	6	7	
1200-2000	5000	5715	6430	7145	7860	8575	9790	10,000

① Use two outside poles of a 3-pole circuit breaker for 250V DC applications.

② When wired as shown on page 5-4, this circuit breaker is CSA Certified / UL Listed and rated for use on 500V DC ungrounded UPS systems only.

③ RXD6 and HRXD6 type circuit breakers are CSA Certified / UL Listed for reverse feed applications.

④ HACR rated.



RXD63B200

### Mounting Block<sup>⑥</sup>

Catalogue Number	Connection Points
MB9301	Front
MBR9302	Rear

### Shipping Weights

Number of Poles	Number per Carton	Shipping Weight (lbs.)
<b>PXD6, HPXD6, RXD6, HRXD6, CPD6 Assembled Breakers</b>		
3	1	61.5
<b>PD6, HPD6, RD6, HRD6 Frame Only</b>		
3	1	55.0
<b>PD6, RD6 Trip Unit Only</b>		
3	1	6.5
<b>Mounting Assembly</b>		
MB9301	1	53.0
MBR9302	1	50.9

### Lugs (6 required per breaker)<sup>⑤</sup>

Catalogue Number	No of Cables per Connector	Wire Range
TA5P600	1-5	300-600 kcmil Cu/Al
TC5R600	1-5	300-600 kcmil Cu only
TA6R600	1-6	300-600 kcmil Cu/Al

⑤ For additional information See **Note: A**, page 5-147.

**Note:** RD frame qualified to UL489 supplement B "NAVAL". See page 5-150 for additional information.

⑥ For required mounting base (MB9301 or MBR9302) see page 5-117.

# Molded Case Circuit Breakers

## Magnetic Trip Only — ETI Motor Circuit Protector

*Selection*

Breaker Type	Ampere Rating	Instantaneous Trip Range <sup>②</sup>		Complete Circuit Breaker Without Lugs <sup>⑤</sup>		
		Minimum <sup>③</sup>	Maximum <sup>③</sup>	Catalogue Number 2-Pole	Catalogue Number 3-Pole	
<b>HEM</b>	3	9	33	—	HEM3M003L	
	7	21	77	—	HEM3M007L	
	15	45	165	—	HEM3M015L	
	30	90	330	—	HEM3M030L	
	50	150	550	—	HEM3M050L	
	70	210	770	—	HEM3M070L	
	100	300	1100	—	HEM3M100L	
	SHIPPING:					3.7 lbs. each
<b>ED6-A</b> 600V AC 250V DC	1	2.6	9	—	ED63A001	
	2	7	22	—	ED63A002	
	3	10	35	—	ED63A003	
	5	16	54	—	ED63A005	
	10	30	100	—	ED63A010	
	25	55	180	—	ED63A025	
	30	80	270	—	ED63A030	
	40	115	375	—	ED63A040	
	50	180	600	—	ED63A050	
	100	315	1000	—	ED63A100	
	125	500	1250	—	ED63A125	
	SHIPPING:					3.8 lbs. each
	<b>CED6-A</b> 600V AC 250V DC	1	2.6	9	—	CED63A001
2		7	22	—	CED63A002	
3		10	35	—	CED63A003	
5		16	54	—	CED63A005	
10		30	100	—	CED63A010	
25		55	180	—	CED63A025	
30		80	270	—	CED63A030	
40		115	375	—	CED63A040	
50		180	600	—	CED63A050	
100		315	1000	—	CED63A100	
125		500	1250	—	CED63A125	
SHIPPING:					6 lbs. each	
<b>FXD6<sup>④</sup></b> 600V AC 250V DC		150	400	800	—	FXD63L150
	150	800	1500	—	FXD63A150	
	150	1100	2500	—	FXD63H150	
	250	1100	2500	—	FXD63A250	
SHIPPING:					9 lbs. each	
<b>CFD6<sup>④</sup></b> 600V AC 250V DC	150	400	800	—	CFD63L150	
	150	800	1500	—	CFD63A150	
	150	1100	2500	—	CFD63H150	
	250	1100	2500	—	CFD63A250	
SHIPPING:					12 lbs. each	
<b>JXD6(A)<sup>①</sup></b> 600V AC 250V DC	400	1250	2500	—	JXD63L400	
	400	2000	4000	<b>JXD62H400</b>	<b>JXD63H400</b>	
SHIPPING:					16 lbs. each	
<b>CJD6<sup>①</sup></b> 600V AC 250V DC	400	1250	2500	—	CJD63L400	
	400	2000	4000	—	CJD63H400	
SHIPPING:					29.5 lbs. each	
<b>LXD6(A)<sup>①</sup></b> 600V AC 250V DC	600	2000	4000	<b>LXD62L600</b>	<b>LXD63L600</b>	
	600	3000	6000	—	<b>LXD63H600</b>	
SHIPPING:					16 lbs. each	
<b>CLD6<sup>①</sup></b> 600V AC 250V DC	600	2000	4000	—	<b>CLD63L600</b>	
	600	3000	6000	—	<b>CLD63H600</b>	
SHIPPING:					31.5 lbs. each	
<b>LMXD6<sup>④</sup></b> 600V AC 250V DC	800	2800	6000	—	<b>LMXD63L800</b>	
	800	3200	8000	—	<b>LMXD63A800</b>	
SHIPPING:					35 lbs. each	
<b>MXD6<sup>④</sup></b> 600V AC 250V DC	800	3000	6000	—	<b>MXD63L800</b>	
	800	4000	8000	—	<b>MXD63A800</b>	
	800	5000	10000	—	<b>MXD63H800</b>	
SHIPPING:					33 lbs. each	
<b>CMD6<sup>④</sup></b> 600V AC 250V DC	800	3000	6000	—	<b>CMD63L800</b>	
	800	4000	8000	—	<b>CMD63A800</b>	
	800	5000	10000	—	<b>CMD63H800</b>	
SHIPPING:					80 lbs. each	

### Important Information

ETI interrupting ratings are determined through combination tests with properly sized overload relays and contactors.

⑤ Connectors included when ordering by circuit breaker catalog number for HEM, ED and CED6 ETIs. Order ETI circuit breaker and lugs (2 per pole) separately for the FXD6, CFD6, MXD6, CMD6, JXD6, CJD6, LXD6 and CLD6 ETI's.

① 2-pole available in 3-pole width only.

② When applied on DC Circuits — Trip levels will increase approximately +15 to 20%.

③ Tolerance -20%/+30% for lowest setting. All other settings are -20%/+20%

④ For 2-pole application use outside poles of 3-pole circuit breaker.

Lug Information pages 5-147 - 5-149  
Enclosures page 5-139 - 5-146  
Accessories pages 5-151 - 5-159



# Molded Case Circuit Breakers

## Motor Circuits

## Application

### General

#### Protection of Motor Circuits

Molded case circuit breakers are used in motor circuits as a disconnecting means and for short-circuit protection. They should be used in conjunction with motor-running, over-current-protection devices, and should permit the motor to start without nuisance tripping from motor-inrush current. The circuit breaker should have a continuous-current rating of not less than 115% of the motor full-load current.

The recommended motor circuit protectors (Siemens ETI instantaneous only circuit breakers) listed have

continuous-current ratings of at least 115% of motor full-load currents. The trip-setting positions are approximately 11 times motor full-load currents. The suggested trip settings may have to be adjusted upward to no higher than 1300% of full-load current for non-design E type motors, and no greater than 1700% of full load current for design B & E energy efficient motors, to allow for motor start-up due to inrush currents.

#### Breaker Mounted Immediately Ahead of Motor Starter

Siemens ETI motor circuit protectors are recommended for use in combination motor starters to provide selective short-circuit protection for the motor branch

circuit. The adjustable instantaneous-trip feature of the Siemens ETI motor circuit protector provides for a trip setting slightly above the peak motor-inrush current. With this setting, no delay is introduced in opening the circuit when a fault occurs. This circuit breaker has no time-delay trip element. Therefore it must be used in conjunction with, and immediately ahead of, the motor-running overcurrent protective device.

Important: The information below does not apply to all motor applications: it is recommended that the user refer to the National Electrical Code (NEC) for specific needs.

**Table 1 (When Breaker is Mounted Immediately Ahead of Motor Starter)**

3 Phase Induction Type Motors (Siemens ETI motor circuit protectors for branch circuit use with alternating-current combination, full voltage motor starters).

Motor Full Load Amperes	Catalogue Number	ETI Trip Setting	
		Adjustment	Amperes
.20 – .33	ED63A001 CED63A001	Low	2.6
.34 – .45		2	4.5
.46 – .56		3	6
.57 – .68		4	7.5
.69 – .81		High	9
.53 – .83	ED63A002 CED63A002	Low	7
.84 – 1.14		2	11
1.15 – 1.45		3	15
1.46 – 1.68		4	19
1.69 – 2.00		High	22
.76 – 1.29	ED63A003 CED63A003	Low	10
1.30 – 1.75		2	17
1.76 – 2.29		3	23
2.30 – 2.68		4	30
2.69 – 3.18		High	35
1.23 – 1.99	ED63A005 CED63A005	Low	16
2.00 – 2.75		2	26
2.76 – 3.52		3	36
3.53 – 4.14		4	46
4.15 – 4.90		High	54
2.30 – 3.83	ED63A010 CED63A010	Low	30
3.84 – 5.37		2	50
5.38 – 6.52		3	70
6.53 – 7.68		4	85
7.69 – 9.10		High	100
4.23 – 6.91	ED63A025 CED63A025	Low	55
6.92 – 9.61		2	90
9.62 – 11.91		3	125
11.92 – 13.83		4	155
13.84 – 16.40		High	180
6.15 – 10.37	ED63A030 CED63A030	Low	80
10.38 – 14.22		2	135
14.23 – 18.06		3	185
18.07 – 20.75		4	235
20.76 – 24.50		High	270
8.84 – 14.22	ED63A040 CED63A040	Low	115
14.23 – 19.60		2	185
19.61 – 24.99		3	255
25.00 – 28.83		4	325
28.84 – 34.00		High	375
13.84 – 23.06	ED63A050 CED63A050	Low	180
23.07 – 31.52		2	300
31.53 – 39.99		3	410
40.00 – 46.14		4	520
46.15 – 54.50		High	600
24.23 – 41.52	ED63A100 CED63A100	Low	315
41.53 – 56.91		2	540
56.92 – 68.45		3	740
68.46 – 76.91		4	890
76.92 – 90.90		High	1000

Motor Full Load Ampres	Catalogue Number	ETI Trip Setting	
		Adjustment	Amperes
38.46 – 55.37	ED63A125 CED63A125	Low	500
55.38 – 70.75		2	720
70.76 – 84.60		3	920
84.61 – 96.14		4	1100
96.15 – 113.60		High	1250
30.76 – 35.37	FXD63L150 CFD63L150	Low	400
35.38 – 39.99		2	460
44.51 – 49.23		4	580
53.84 – 58.45		6	700
58.46 – 63.06		7	760
63.07 – 74.50	High	820	
61.53 – 69.22	FXD63A150 CFD63A150	Low	800
69.23 – 76.91		2	900
84.61 – 92.29		4	1100
100.00 – 108.00		6	1300
108.00 – 115.00		7	1400
115.00 – 136.00	High	1500	
85.00 – 100.00	FXD63A250 CFD63A250	Low	1100
100.00 – 115.00		2	1300
131.00 – 146.00		4	1700
162.00 – 177.00		6	2100
177.00 – 192.00		7	2300
192.00 – 227.00	High	2500	
95.00 – 110.00	JXD63L400 CJD63L400	Low	1250
110.00 – 124.00		2	1430
138.00 – 151.00		4	1790
165.00 – 178.00		6	2140
178.00 – 192.00		7	2320
192.00 – 227.00	High	2500	
154.00 – 176.00	JXD63H400 CJD63H400	Low	2000
176.00 – 198.00		2	2290
220.00 – 242.00		4	2860
264.00 – 285.00		6	3430
285.00 – 308.00		7	3710
308.00 – 326.00	High	4000	
155.00 – 176.00	LXD63L600 CLD63L600	Low	2000
176.00 – 198.00		2	2290
220.00 – 242.00		4	2860
264.00 – 285.00		6	3430
285.00 – 308.00		7	3710
308.00 – 326.00	High	4000	

Motor Full Load Ampres	Catalogue Number	ETI Trip Setting	
		Adjustment	Amperes
231.00 – 264.00	LXD63H600 CLD63H600	Low	3000
264.00 – 292.00		2	3430
330.00 – 362.00		4	4290
395.00 – 428.00		6	5140
428.99 – 462.00		7	5570
462.00 – 490.00		High	6000
215.00 – 238.00		LMD63L800	Low
238.00 – 261.00	2		3100
261.00 – 284.00	3		3400
308.00 – 369.00	5		4000
369.00 – 423.00	6		4800
423.00 – 462.00	7		5500
462.00 – 490.00	High		6000
246.00 – 269.00	LMD63A800	Low	3200
269.00 – 284.00		2	3500
284.00 – 323.00		3	3700
362.00 – 492.00		5	4700
492.00 – 562.00		6	6400
562.00 – 616.00		7	7300
616.00 – 660.00		High	8000
231.00 – 264.00	MXD63L800 CMD63L800	Low	3000
264.00 – 292.00		2	3430
292.00 – 330.00		3	3800
362.00 – 395.00		5	4710
428.00 – 462.00		7	5570
462.00 – 490.00		High	6000
308.00 – 352.00		MXD63A800 CMD63A800	Low
352.00 – 442.00	2		4570
442.00 – 447.00	3		5740
483.00 – 527.00	5		6280
571.00 – 616.00	7		7240
616.00 – 660.00	High		8000
385.00 – 440.00	MXD63H800 CMD63H800		Low
495.00 – 550.00		3	6430
605.00 – 660.00		5	7860
660.00 – 695.00		6	8575

Note: Lowest instantaneous settings have a -20%/+30% tolerance and all other settings have a -20%/+20% tolerance.



# Molded Case Circuit Breakers

## Motor Circuits

## Application

### Breaker Mounted at a Distance From Motor Starter

ET thermal-magnetic circuit breakers conform to the National Electrical Code (2002) table 430-52 requirements for motor branch and feeder circuit protection when properly applied in conjunction with motor-running overcurrent protective devices. The

recommended circuit-breaker ratings in Table 2 provide adequate time delay for starting the majority of three-phase induction motors.

To determine the ampere ratings of the ET breaker to protect a motor feeder, add the rating of the ET breaker used to protect the largest motor branch circuit in the group to the full-load currents of

the remaining motors in the group.

### Interrupt Ratings

For normal commercial purposes, available fault current can conveniently be obtained in the Interrupting Selector Tables.

**Table 2 (When Breaker is Mounted at a Distance From Motor Starter)**

3 Phase Induction Type Motors (EQ and ET circuit breakers (thermal-magnetic trip) for branch breaker use with alternating-current combination motor starters).

Motor Horse - power Rating	200 and 208V Motors			230V Motors			460V Motors			575V Motors		
	240V Circuit Breaker Data <sup>①</sup>			240V Circuit Breaker Data <sup>①</sup>			480V Circuit Breaker Data <sup>①</sup>			600V Circuit Breaker Data <sup>①</sup>		
	Breaker Type	Catalogue Number	Ampere Rating	Breaker Type	Catalogue Number	Ampere Rating	Breaker Type	Catalogue Number	Ampere Rating	Breaker Type	Catalogue Number	Ampere Rating
1/2	BQ <sup>②</sup>	BQ3B015	15	BQ <sup>②</sup>	BQ3B015	15	ED4	ED43B015	15	ED6	ED63B015	15
3/4		BQ3B015	15		BQ3B015	15		ED43B015	15		ED63B015	15
1		BQ3B015	15		BQ3B015	15		ED43B015	15		ED63B015	15
1 1/2		BQ3B015	15		BQ3B015	15		ED43B015	15		ED63B015	15
2		BQ3B020	20		BQ3B015	15		ED43B015	15		ED63B015	15
3		BQ3B030	30		BQ3B020	20		ED43B015	15		ED63B015	15
5	BQ <sup>②</sup>	BQ3B040	40	BQ <sup>②</sup>	BQ3B030	30	ED4	ED43B015	15	ED6	ED63B015	15
7 1/2		BQ3B060	60		BQ3B050	50		ED43B030	30		ED63B020	20
10		BQ3B070	70		BQ3B070	70		ED43B030	30		ED63B030	30
15		BQ3B100	100		BQ3B090	90		ED43B040	40		ED63B035	35
20					BQ3B100	100		ED43B050	50		ED63B050	50
25	FXD6	FXD63B125	125	FXD6	FXD63B125	125	FXD6	FXD63B090	90	FXD6	FXD63B060	60
30		FXD63B150	150		FXD63B150	150		FXD63B100	100		FXD63B070	70
40		FXD63B175	175		FXD63B175	175		FXD63B125	125		FXD63B090	90
50		FXD63B200	200		FXD63B200	200		FXD63B150	150		FXD63B100	100
		FXD63B225	225									
60	JXD2	JXD23B300	300	—	—	—	FXD6, FD6	FXD63B150	150	FXD6	FXD63B100	100
75	JXD2	JXD23B400	400	JXD2	JXD23B350	350	FXD6, FD6	FXD63B200	200	FXD6, FD6	FXD63B125	125
100	JXD2	JXD23B400	400	JXD2	JXD23B400	400	FD6 <sup>③</sup> JD6 <sup>③</sup>	FD63B250 JD63B250	250 250	FXD6, FD6	FD63B175	175
125	LD6 <sup>③</sup> or LMD6	LD63B600 LMD63B600	600	LD6 <sup>③</sup> or LMD6	LD63B500 or LMD63B500	500	JD6 <sup>③</sup>	JD63B300	300	FXD6, FD6 OR JD6 <sup>③</sup>	FXD63B200 JD63B200	200 200
150	LD6 <sup>③</sup> or LMD6	LD63B600 or LMD63B600	600	LMD6	LD63B600 or LMD63B600	600	JD6 <sup>③</sup>	JD63B300	300	FXD6 or JD6 <sup>③</sup>	FXD63B225 JD63B225	225 225
200	LMD6	LMD63B800	800	LMD6	LMD63B800	800	JD6 <sup>③</sup> JD6 <sup>③</sup>	JD63B350 JD63B400	350 400	JD6 <sup>③</sup> JD6 <sup>③</sup>	JD63B300 JD63B400	300 400
250	—	—	—	—	—	—	LD6 <sup>③</sup> or	LD63B600 or	600	LD6 <sup>③</sup> or	LD63B500 or	500
300	—	—	—	—	—	—	LMD6	LMD63B600	700	LMD6	LMD63B500	500
350	—	—	—	—	—	—	LMD6	LMD63B700	800	LD6 <sup>③</sup> or	LD63B600 or	600
400	—	—	—	—	—	—	LMD6	LMD63B800	—	LMD6	LMD63B600	600
500	—	—	—	—	—	—	—	—	—	LMD6	LMD63B800	800

①The selection of breakers for this table is in accordance with Article 430, 2002 National Electric Code. The Canadian electrical code should also be referred to for rating information. Recommended circuit breakers are for full voltage starting, special consideration is necessary for reduced voltage starting.

②For panelboard applications, substitute the BL breaker for the BQ, ED2 circuit breakers may also be used.

③For non-interchangeable trip applications, substitute the FXD6 for the FD6, the JXD6 for the JD6, or the LXD6 for the LD6.

# Molded Case Circuit Breakers

## Adjustable Instantaneous Magnetic Trip Settings

Application

Breaker Type	Maximum Continuous Amperes	Nominal AC Adjustable Trip Range								ETI Motor Circuit Protector Catalogue Number	Thermal Magnetic Catalogue Number		
		Low	2	3	4	5	6	7	High		3-Pole	2-Pole	3-Pole
HEM	3	9	15	21	27	30	—	—	33	HEM3M003L	—	—	
	7	21	35	49	63	70	—	—	77	HEM3M007L	—	—	
	15	45	75	100	135	150	—	—	165	HEM3M015L	—	—	
	30	90	150	210	270	300	—	—	330	HEM3M030L	—	—	
	50	150	250	350	450	500	—	—	550	HEM3M050L	—	—	
	70	210	350	490	630	700	—	—	770	HEM3M070L	—	—	
	100	300	500	700	900	1000	—	—	1100	HEM3M100L	—	—	
	ED6	1	2.6	4.5	6	7.5	—	—	—	9	ED63A001	—	—
2		7	11	15	19	—	—	—	22	ED63A002	—	—	
3		10	17	23	30	—	—	—	35	ED63A003	—	—	
5		16	26	36	46	—	—	—	54	ED63A005	—	—	
10		30	50	70	85	—	—	—	100	ED63A010	—	—	
25		55	90	125	155	—	—	—	180	ED63A025	—	—	
30		80	135	185	235	—	—	—	270	ED63A030	—	—	
40		115	185	255	325	—	—	—	375	ED63A040	—	—	
50		180	300	410	520	—	—	—	600	ED63A050	—	—	
100		315	540	740	890	—	—	—	1000	ED63A100	—	—	
125		500	720	920	1100	—	—	—	1250	ED63A125	—	—	
CED6		1	2.6	4.5	6	7.5	—	—	—	9	CED63A001	—	—
		2	7	11	15	19	—	—	—	22	CED63A002	—	—
	3	10	17	23	30	—	—	—	35	CED63A003	—	—	
	5	16	26	36	46	—	—	—	54	CED63A005	—	—	
	10	30	50	70	85	—	—	—	100	CED63A010	—	—	
	25	55	90	125	155	—	—	—	180	CED63A025	—	—	
	30	80	135	185	235	—	—	—	270	CED63A030	—	—	
	40	115	185	255	325	—	—	—	375	CED63A040	—	—	
	50	180	300	410	520	—	—	—	600	CED63A050	—	—	
	100	315	540	740	890	—	—	—	1000	CED63A100	—	—	
	125	500	720	920	1100	—	—	—	1250	CED63A125	—	—	
	FXD6-A	70	600	640	690	730	770	810	850	900	—	FXD62B070	FXD63B070
		80	600	640	690	730	770	810	850	900	—	FXD62B080	FXD63B080
90		600	640	690	730	770	810	850	900	—	FXD62B090	FXD63B090	
100		700	770	840	920	990	1060	1140	1200	—	FXD62B100	FXD63B100	
110		700	770	840	920	990	1060	1140	1200	—	FXD62B110	FXD63B110	
125		800	900	1000	1100	1200	1300	1400	1500	—	FXD62B125	FXD63B125	
150		400	460	520	580	640	700	760	820	FXD63L150	—	—	
150		800	900	1000	1100	1200	1300	1400	1500	FXD63A150	FXD62B150	FXD63B150	
150		1100	1300	1500	1700	1900	2100	2300	2500	FXD63H150	—	—	
175		900	1060	1210	1370	1520	1780	1930	2000	—	FXD62B175	FXD63B175	
200		900	1060	1210	1370	1520	1780	1930	2000	—	FXD62B200	FXD63B200	
225		1100	1300	1500	1700	1900	2100	2300	2500	—	FXD62B225	FXD63B225	
250		1100	1300	1500	1700	1900	2100	2300	2500	FXD63A250	FXD62B250	FXD63B250	
FD6-A	70	600	640	690	730	770	810	850	900	—	FD62B070	FD63B070	
	80	600	640	690	730	770	810	850	900	—	FD62B080	FD63B080	
	90	600	640	690	730	770	810	850	900	—	FD62B090	FD63B090	
	100	700	770	840	920	990	1060	1140	1200	—	FD62B100	FD63B100	
	110	700	770	840	920	990	1060	1140	1200	—	FD62B110	FD63B110	
	125	800	900	1000	1100	1200	1300	1400	1500	—	FD62B125	FD63B125	
	150	800	900	1000	1100	1200	1300	1400	1500	—	FD62B150	FD63B150	
	175	900	1060	1210	1370	1520	1780	1930	2000	—	FD62B175	FD63B175	
	200	900	1060	1210	1370	1520	1780	1930	2000	—	FD62B200	FD63B200	
	225	1100	1300	1500	1700	1900	2100	2300	2500	—	FD62B225	FD63B225	
	250	1100	1300	1500	1700	1900	2100	2300	2500	—	FD62B250	FD63B250	
	HFD6	70	600	640	690	730	770	810	850	900	—	HFD62B070	HFD63B070
		80	600	640	690	730	770	810	850	900	—	HFD62B080	HFD63B080
90		600	640	690	730	770	810	850	900	—	HFD62B090	HFD63B090	
100		700	770	840	920	990	1060	1140	1200	—	HFD62B100	HFD63B100	
110		700	770	840	920	990	1060	1140	1200	—	HFD62B110	HFD63B110	
125		800	900	1000	1100	1200	1300	1400	1500	—	HFD62B125	HFD63B125	
150		800	900	1000	1100	1200	1300	1400	1500	—	HFD62B150	HFD63B150	
175		900	1060	1210	1370	1520	1780	1930	2000	—	HFD62B175	HFD63B175	
200		900	1060	1210	1370	1520	1780	1930	2000	—	HFD62B200	HFD63B200	
225		1100	1300	1500	1700	1900	2100	2300	2500	—	HFD62B225	HFD63B225	
250		1100	1300	1500	1700	1900	2100	2300	2500	—	HFD62B250	HFD63B250	
HHFD6		70	600	640	690	730	770	810	850	900	—	—	HHFD63B070
		80	600	640	690	730	770	810	850	900	—	—	HHFD63B080
	90	600	640	690	730	770	810	850	900	—	—	HHFD63B090	
	100	700	770	840	920	990	1060	1140	1200	—	—	HHFD63B100	
	110	700	770	840	920	990	1060	1140	1200	—	—	HHFD63B110	
	125	800	900	1000	1100	1200	1300	1400	1500	—	—	HHFD63B125	
	150	800	900	1000	1100	1200	1300	1400	1500	—	—	HHFD63B150	
	175	900	1060	1210	1370	1520	1780	1930	2000	—	—	HHFD63B175	
	200	900	1060	1210	1370	1520	1780	1930	2000	—	—	HHFD63B200	
	225	1100	1300	1500	1700	1900	2100	2300	2500	—	—	HHFD63B225	
	250	1100	1300	1500	1700	1900	2100	2300	2500	—	—	HHFD63B250	
	CFD6	70	600	640	690	730	770	810	850	900	—	CFD62B070	CFD63B070
		80	600	640	690	730	770	810	850	900	—	CFD62B080	CFD63B080
90		600	640	690	730	770	810	850	900	—	CFD62B090	CFD63B090	
100		700	770	840	920	990	1060	1140	1200	—	CFD62B100	CFD63B100	
110		700	770	840	920	990	1060	1140	1200	—	CFD62B110	CFD63B110	
125		800	900	1000	1100	1200	1300	1400	1500	—	CFD62B125	CFD63B125	
150		400	460	520	580	640	700	760	820	CFD63L150	—	—	
150		800	900	1000	1100	1200	1300	1400	1500	CFD63A150	CFD62B150	CFD63B150	
150		1100	1300	1500	1700	1900	2100	2300	2500	CFD63H150	—	—	
175		900	1060	1210	1370	1520	1780	1930	2000	—	CFD62B175	CFD63B175	
200		900	1060	1210	1370	1520	1780	1930	2000	—	CFD62B200	CFD63B200	
225		1100	1300	1500	1700	1900	2100	2300	2500	—	CFD62B225	CFD63B225	
250		1100	1300	1500	1700	1900	2100	2300	2500	CFD63A250	CFD62B250	CFD63B250	

**Note:** Tolerances for instantaneous trip points meet CSA C22.2 NO.5 / UL 489(7.3). Nominal AC instantaneous trip points are given in the tables. For DC instantaneous trip points, add 15% to nominal values. Instantaneous trip

adjustment is made through the breaker cover on all frame breakers. To change instantaneous trip point on circuit breaker, depress indicating knob, then rotate to desired position.

Built to order. Allow 2-3 weeks for delivery.

# Molded Case Circuit Breakers

## Adjustable Instantaneous Magnetic Trip Settings

## Application

Breaker Type	Maximum Continuous Amperes	Nominal AC Adjustable Trip Range								ETI Motor Circuit Protector Catalogue Number	Thermal Magnetic Catalogue Number		
		Low	2	3	4	5	6	7	High		3-Pole	2-Pole	3-Pole
JXD2(A)	200	1250	1430	1610	1790	1960	2140	2320	2500	—	JXD22B200	JXD23B200	
	225	1250	1430	1610	1790	1960	2140	2320	2500	—	JXD22B225	JXD23B225	
	250	1250	1430	1610	1790	1960	2140	2320	2500	—	JXD22B250	JXD23B250	
	300	1250	1430	1610	1790	1960	2140	2320	2500	—	JXD22B300	JXD23B300	
	350	2000	2290	2570	2860	3140	3430	3710	4000	—	JXD22B350	JXD23B350	
	400	2000	2290	2570	2860	3140	3430	3710	4000	—	JXD22B400	JXD23B400	
JXD6(A)	200	1250	1430	1610	1790	1960	2140	2320	2500	—	JXD62B200	JXD63B200	
	225	1250	1430	1610	1790	1960	2140	2320	2500	—	JXD62B225	JXD63B225	
	250	1250	1430	1610	1790	1960	2140	2320	2500	—	JXD62B250	JXD63B250	
	300	1250	1430	1610	1790	1960	2140	2320	2500	—	JXD62B300	JXD63B300	
	350	2000	2290	2570	2860	3140	3430	3710	4000	—	JXD62B350	JXD63B350	
	400	2000	2290	2570	2860	3140	3430	3710	4000	—	JXD62B400	JXD63B400	
JD6(A)	200	1250	1430	1610	1790	1960	2140	2320	2500	—	JD62B200	JD63B200	
	225	1250	1430	1610	1790	1960	2140	2320	2500	—	JD62B225	JD63B225	
	250	1250	1430	1610	1790	1960	2140	2320	2500	—	JD62B250	JD63B250	
	300	1250	1430	1610	1790	1960	2140	2320	2500	—	JD62B300	JD63B300	
	350	2000	2290	2570	2860	3140	3430	3710	4000	—	JD62B350	JD63B350	
	400	2000	2290	2570	2860	3140	3430	3710	4000	JXD63L400 JXD63H400	—	JD63B400	
HJD6(A)	200	1250	1430	1610	1790	1960	2140	2320	2500	—	HJD62B200	HJD63B200	
	225	1250	1430	1610	1790	1960	2140	2320	2500	—	HJD62B225	HJD63B225	
	250	1250	1430	1610	1790	1960	2140	2320	2500	—	HJD62B250	HJD63H250	
	300	1250	1430	1610	1790	1960	2140	2320	2500	—	HJD62B300	HJD63B300	
	350	2000	2290	2570	2860	3140	3430	3710	4000	—	HJD62B350	HJD63B350	
	400	2000	2290	2570	2860	3140	3430	3710	4000	—	HJD62H400	HJD63B400	
HHJD6	200	1250	1430	1610	1790	1960	2140	2320	2500	—	HHJD62B200	HHJD63B200	
	225	1250	1430	1610	1790	1960	2140	2320	2500	—	HHJD62B225	HHJD63B225	
	250	1250	1430	1610	1790	1960	2140	2320	2500	—	HHJD62B250	HHJD63B250	
	300	1250	1430	1610	1790	1960	2140	2320	2500	—	HHJD62B300	HHJD63B300	
	350	2000	2290	2570	2860	3140	3430	3710	4000	—	HHJD62B350	HHJD63B350	
	400	2000	2290	2570	2860	3140	3430	3710	4000	—	HHJD62B400	HHJD63B400	
CJD6	200	1250	1430	1610	1790	1960	2140	2320	2500	—	—	CJD63B200	
	225	1250	1430	1610	1790	1960	2140	2320	2500	—	—	CJD63B225	
	250	1250	1430	1610	1790	1960	2140	2320	2500	—	—	CJD63B250	
	300	1250	1430	1610	1790	1960	2140	2320	2500	—	—	CJD63B300	
	350	2000	2290	2570	2860	3140	3430	3710	4000	—	—	CJD63B350	
	400	2000	2290	2570	2860	3140	3430	3710	4000	CJD63H400 CJD63L400	—	CHD63B400	
LXD6(A)	450	2000	2290	2570	2860	3140	3430	3710	4000	—	LXD62B450	LXD63B450	
	500	3000	3430	3860	4290	4710	5140	5570	6000	—	LXD62B500	LXD63B500	
	600	3000	3430	3860	4290	4710	5140	5570	6000	—	LXD62B600	LXD63B600	
LD6(A)	250	1250	1430	1610	1790	1960	2140	2320	2500	—	LD62B250	LD63B250	
	300	1250	1430	1610	1790	1960	2140	2320	2500	—	LD62B300	LD63B300	
	350	2000	2290	2570	2860	3140	3430	3710	4000	—	LD62B350	LD63B350	
	400	2000	2290	2570	2860	3140	3430	3710	4000	—	LD62B400	LD63B400	
	450	2000	2290	2570	2860	3140	3430	3710	4000	—	LD62B450	LD63B450	
	600	3000	3430	3860	4290	4710	5140	5570	6000	LXD63L600 LXD63H600	—	LD63B500	
HLD6(A)	250	1250	1430	1610	1790	1960	2140	2320	2500	—	HLD62B250	HLD63B250	
	300	1250	1430	1610	1790	1960	2140	2320	2500	—	HLD62B300	HLD63B300	
	350	2000	2290	2570	2860	3140	3430	3710	4000	—	HLD62B350	HLD63B350	
	400	2000	2290	2570	2860	3140	3430	3710	4000	—	HLD62B400	HLD63B400	
	450	2000	2290	2570	2860	3140	3430	3710	4000	—	HLD62B450	HLD63B450	
	600	3000	3430	3860	4290	4710	5140	5570	6000	—	HLD62B500	HLD63B500	
HHL6	250	1250	1430	1610	1790	1960	2140	2320	2500	—	HHL62B250	HHL63B250	
	300	1250	1430	1610	1790	1960	2140	2320	2500	—	HHL62B300	HHL63B300	
	350	2000	2290	2570	2860	3140	3430	3710	4000	—	HHL62B350	HHL63B350	
	400	2000	2290	2570	2860	3140	3430	3710	4000	—	HHL62B400	HHL63B400	
	450	2000	2290	2570	2860	3140	3430	3710	4000	—	HHL62B450	HHL63B450	
	600	3000	3430	3860	4290	4710	5140	5570	6000	—	HHL62B500	HHL63B500	
CLD6	250	1250	1430	1610	1790	1960	2140	2320	2500	—	—	CLD63B250	
	300	1250	1430	1610	1790	1960	2140	2320	2500	—	—	CLD63B300	
	350	2000	2290	2570	2860	3140	3430	3710	4000	—	—	CLD63B350	
	400	2000	2290	2570	2860	3140	3430	3710	4000	—	—	CLD63B400	
	450	2000	2290	2570	2860	3140	3430	3710	4000	—	—	CLD63B450	
	600	3000	3430	3860	4290	4710	5140	5570	6000	CLD63L600 CLD63H600	—	CLD63B500	
LMXD6	500	3000	3430	3860	4290	4710	5140	5570	6000	—	—	LMXD63B500	
	600	3000	3430	3860	4290	4710	5140	5570	6000	—	LMXD62B600	LMXD63B600	
	700	3200	3500	3700	4200	4700	6400	7300	8000	—	LMXD62B700	LMXD63B700	
	800	2800	3100	3400	3700	4000	4800	5500	6000	—	—	—	
	800	3200	3500	3700	4200	4700	6400	7300	8000	LMXD63L800 LMXD63A800	LMXD62B800	LMXD63B800	
	LMD6	500	3000	3430	3860	4290	4710	5140	5570	6000	—	LMD62B500	LMD63B500
600		3000	3430	3860	4290	4710	5140	5570	6000	—	LMD62B600	LMD63B600	
700		3200	3500	3700	4200	4700	6400	7300	8000	—	LMD62B700	LMD63B700	
800		3200	3500	3700	4200	4700	6400	7300	8000	—	LMD62B800	LMD63B800	

5  
MOLDED CASE  
CIRCUIT BREAKERS

# Molded Case Circuit Breakers

## Adjustable Instantaneous Magnetic Trip Settings

*Application*

Breaker Type	Maximum Continuous Amperes	Nominal AC Adjustable Trip Range								ETI Motor Circuit Protector Catalogue Number	Thermal Magnetic Catalogue Number		
		Low	2	3	4	5	6	7	High	3-Pole	2-Pole	3-Pole	
HLMXD6	500	3000	3430	3860	4290	4710	5140	5570	6000	—	—	HLMXD63B500	
	600	3000	3430	3860	4290	4710	5140	5570	6000	—	—	HLMXD63B600	
	700	3200	3500	3700	4200	4700	6400	7300	8000	—	—	HLMXD63B700	
	800	3200	3500	3700	4200	4700	6400	7300	8000	—	—	HLMXD63B800	
HLMD6	500	3000	3430	3860	4290	4710	5140	5570	6000	—	HLMD62B500	HLMD63B500	
	600	3000	3430	3860	4290	4710	5140	5570	6000	—	HLMD62B600	HLMD63B600	
	700	3200	3500	3700	4200	4700	6400	7300	8000	—	HLMD62B700	HLMD63B700	
	800	3200	3500	3700	4200	4700	6400	7300	8000	—	HLMD62B800	HLMD63B800	
MD6	500	3000	3430	3860	4290	4710	5140	5570	6000	—	MD62B500	MD63B500	
	600	3000	3430	3860	4290	4710	5140	5570	6000	—	MD62B600	MD63B600	
	700	4000	4570	5140	5710	6280	6850	7420	8000	—	MD62B700	MD63B700	
	800	3000	3430	3860	4280	4710	5140	5570	6000	MXD63L800	—	—	
	800	4000	4570	5140	5710	6280	6850	7420	8000	MXD63A800	MD62B800	MD63B800	
	800	5000	5715	6430	7145	7860	8575	9290	10000	MXD63H800	—	—	
MXD6	500	3000	3430	3860	4280	4710	5140	5570	6000	—	MXD62B500	MXD63B500	
	600	3000	3430	3860	4280	4710	5140	5570	6000	—	MXD62B600	MXD63B600	
	700	4000	4570	5140	5710	6280	6850	7420	8000	—	MXD62B700	MXD63B700	
	800	3000	3430	3860	4280	4710	5140	5570	6000	MXD63L800	—	—	
	800	4000	4570	5140	5710	6280	6850	7420	8000	MXD63A800	MXD62B800	MXD63B800	
	800	5000	5715	6430	7145	7860	8575	9290	10000	MXD63H800	—	—	
HMD6	500	3000	3430	3860	4280	4710	5140	5570	6000	—	HMD62B500	HMD63B500	
	600	3000	3430	3860	4280	4710	5140	5570	6000	—	HMD62B600	HMD63B600	
	700	4000	4570	5140	5710	6280	6850	7420	8000	—	HMD62B700	HMD63B700	
	800	4000	4570	5140	5710	6280	6850	7420	8000	—	HMD62B800	HMD63B800	
HMXD6	500	3000	3430	3860	4280	4710	5140	5570	6000	—	—	HMXD63B500	
	600	3000	3430	3860	4280	4710	5140	5570	6000	—	—	HMXD63B600	
	700	4000	4570	5140	5710	6280	6850	7420	8000	—	—	HMXD63B700	
	800	4000	4570	5140	5710	6280	6850	7420	8000	—	—	HMXD63B800	
CMD6	400	3000	3430	3860	4280	4710	5140	5570	6000	—	—	CMD63B400	
	500	3000	3430	3860	4280	4710	5140	5570	6000	—	—	CMD63B500	
	600	3000	3430	3860	4280	4710	5140	5570	6000	—	—	CMD63B600	
	700	4000	4570	5140	5710	6280	6850	7420	8000	—	—	CMD63B700	
	800	3000	3430	3860	4280	4710	5140	5570	6000	CMD63L800	—	—	
	800	4000	4570	5140	5710	6280	6850	7420	8000	CMD63A800	—	CMD63B800	
800	5000	5715	6430	7145	7860	8575	9290	10000	CMD63H800	—	—		
ND6	800	4000	4570	5140	5710	6280	6850	7420	8000	—	ND62B800	ND63B800	
	900	5000	5715	6430	7145	7860	8575	9290	10000	—	ND62B900	ND63B900	
	1000	5000	5715	6430	7145	7860	8575	9290	10000	—	ND62B100	ND63B100	
	1200	5000	5715	6430	7145	7860	8575	9290	10000	—	ND62B120	ND63B120	
NXD6	900	5000	5715	6430	7145	7860	8575	9290	10000	—	NXD62B900	NXD63B900	
	1000	5000	5715	6430	7145	7860	8575	9290	10000	—	NXD62B100	NXD63B100	
	1200	5000	5715	6430	7145	7860	8575	9290	10000	—	NXD62B120	NXD63B120	
HND6	800	4000	4570	5140	5710	6280	6850	7420	8000	—	HND62B800	HND63B800	
	900	5000	5715	6430	7145	7860	8575	9290	10000	—	HND62B900	HND63B900	
	1000	5000	5715	6430	7145	7860	8575	9290	10000	—	HND62B100	HND63B100	
	1200	5000	5715	6430	7145	7860	8575	9290	10000	—	HND62B120	HND63B120	
HNXD6	900	5000	5715	6430	7145	7860	8575	9290	10000	—	—	HNXD63B900	
	1000	5000	5715	6430	7145	7860	8575	9290	10000	—	—	HNXD63B100	
	1200	5000	5715	6430	7145	7860	8575	9290	10000	—	—	HNXD63B120	
CND6	800	4000	4570	5140	5710	6280	6850	7420	8000	—	—	CND63B800	
	900	5000	5715	6430	7145	7860	8575	9290	10000	—	—	CND63B900	
	1000	5000	5715	6430	7145	7860	8575	9290	10000	—	—	CND63B100	
	1200	5000	5715	6430	7145	7860	8575	9290	10000	—	—	CND63B120	
PD6	1200	5000	5715	6430	7145	7860	8575	9290	10000	—	—	PD63B120	
	1400	5000	5715	6430	7145	7860	8575	9290	10000	—	—	PD63B140	
	1600	5000	5715	6430	7145	7860	8575	9290	10000	—	—	PD63B160	
PXD6	1200	5000	5715	6430	7145	7860	8575	9290	10000	—	—	PXD63B120	
	1400	5000	5715	6430	7145	7860	8575	9290	10000	—	—	PXD63B140	
	1600	5000	5715	6430	7145	7860	8575	9290	10000	—	—	PXD63B160	
HPD6	1200	5000	5715	6430	7145	7860	8575	9290	10000	—	—	HPD63B120	
	1400	5000	5715	6430	7145	7860	8575	9290	10000	—	—	HPD63B140	
	1600	5000	5715	6430	7145	7860	8575	9290	10000	—	—	HPD63B160	
HPXD6	1200	5000	5715	6430	7145	7860	8575	9290	10000	—	—	HPXD63B120	
	1400	5000	5715	6430	7145	7860	8575	9290	10000	—	—	HPXD63B140	
	1600	5000	5715	6430	7145	7860	8575	9290	10000	—	—	HPXD63B160	
CPD6	1200	5000	5715	6430	7145	7860	8575	9290	10000	—	—	CPD63B120	
	1400	5000	5715	6430	7145	7860	8575	9290	10000	—	—	CPD63B140	
	1600	5000	5715	6430	7145	7860	8575	9290	10000	—	—	CPD63B160	
RD6	1800	5000	5715	6430	7145	7860	8575	9290	10000	—	—	RD63B180	
	2000	5000	5715	6430	7145	7860	8575	9290	10000	—	—	RD63B200	
RXD6	1800	5000	5715	6430	7145	7860	8575	9290	10000	—	—	RXD63B180	
	2000	5000	5715	6430	7145	7860	8575	9290	10000	—	—	RXD63B200	
HRD6	1800	5000	5715	6430	7145	7860	8575	9290	10000	—	—	HRD63B180	
	2000	5000	5715	6430	7145	7860	8575	9290	10000	—	—	HRD63B200	

**5**  
MOLDED CASE  
CIRCUIT BREAKERS

# Molded Case Circuit Breakers

## Molded Case Switch — Circuit Disconnect

*Selection*

Maximum Frame Amp Rating	2-Pole	3-Pole	Self-Protective Instantaneous Override $\pm 20\%$ c
	Catalogue Number	Catalogue Number	
100	BQ2S060 BQ2S100	BQ3S060 BQ3S100	1000 1000
125	ED22S100A ED42S100A ED42S125A ED62S100A — CED62S100A CED62S125A	ED23S100A ED43S100A ED43S125A ED63S100A ED63S125A CED63S100A CED63S125A	1000 1000 1000 1000 1000 1000 1000
225	QJ22S225A	QJ23S225A	2000
250	FXD62S250A HFXD62S250A ①	FXD63S250A HFXD63S250A CFD63S250A	3200 3200 3200
400	JXD22S400A — — ①	JXD23S400A JXD63S400A HJXD63S400A CJD63S400A	6000 6000 6000 6000
600	— — ①	LXD63S600A HLXD63S600A CLD63S600A	6000 6000 6000
800	— — ①	LMXD63S800A MXD63S800A CMD63S800A	8000 8000 8000
1200	— ①	NXD63S120A CND63S120A	10000 10000
1600	①	PXD63S160A <sup>®</sup>	10000
2000	①	RXD63S200A <sup>®</sup>	10000

### Ordering Information

Order by catalogue number. Switches include frame and self protective trip unit only. Order lugs separately from page 5-134 - 5-136.

① For 2-pole application use outside poles of 3-pole circuit breaker.  
② For additional lugs see page 5-134.

③ Molded case switches up to R frame contain a self protecting instantaneous element, which may open circuit above their override set point.  
④ Requires mounting block MB9301 or MBR9302.

Lugs pages 5-134 - 5-136  
Accessories page 5-138 - 5-146



# Molded Case Circuit Breakers

## Digital Solid State Sentron Sensitrip IV Series

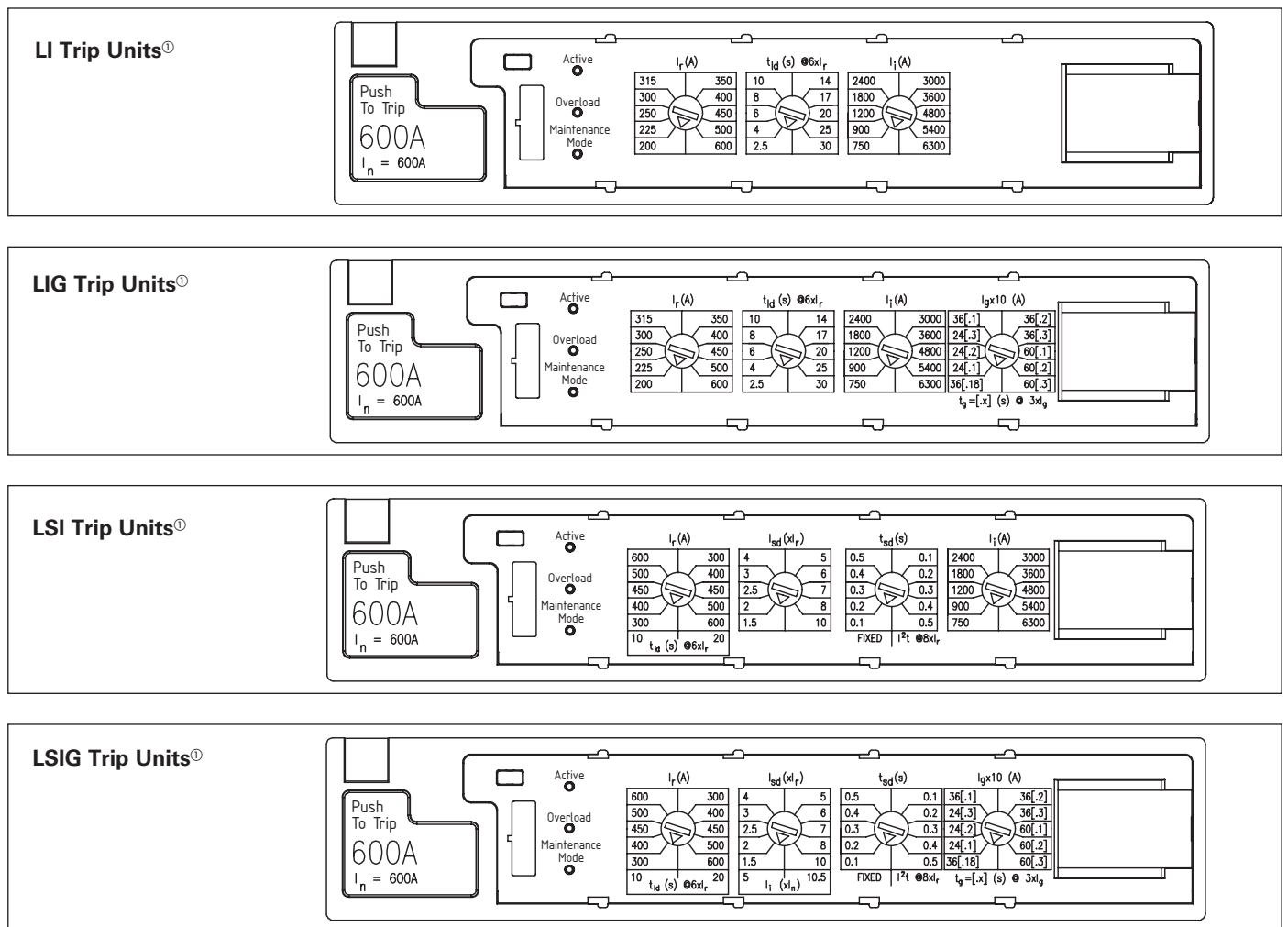
Technical

The Sentron Sensitrip IV circuit breaker is a true RMS current sensing device. Digital microprocessor circuitry within the electronic trip unit provides more precise control over the circuit breaker functions. This control allows circuit coordination flexibility not available with thermal magnetic circuit breakers.

### Functions available in Sentron Sensitrip circuit breakers

Catalogue Number Suffix	Trip Type	Cont Current Setting	Long Time Delay	Instantaneous Pickup	Short Time Pickup	Short Time Fixed Delay	Short Time I <sup>2</sup> t Delay	Ground Fault Pickup	Ground Fault Delay
LI	LI	✓	✓	✓					
LIG	LIG	✓	✓	✓				✓	✓
LSI	LSI	✓	✓	✓	✓	✓	✓		
LSIG	LSIG	✓	✓	✓	✓	✓	✓	✓	✓

Typical Trip Unit Labeling and Adjustment Positions for the Sentron Sensitrip Circuit Breaker.



- $I_n$  = Maximum circuit breaker ampere rating
- $I_r$  = Continuous current rating expressed in amperes
- $I_i$  = Instantaneous pickup expressed in amperes
- $I_{sd}$  = Short time pickup expressed in multiples of  $I_r$

- $I_g$  = Ground fault pickup expressed in amperes
- $t_{sd}$  = Short time delay - either fixed or  $I^2t$  time delay function
- $t_{ld}$  = Long time delay -  $I^2t$  time delay function
- $t_g$  = Ground fault delay -  $I^2t$  time delay function

NOTE: Frame rating ( $I_n$ ) of 600A shown as an example. Trip unit settings will vary based on the specific frame rating ( $I_n$ ) of the device.

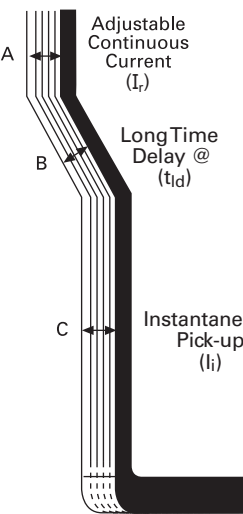
© Schematic of advanced trip unit shown. Basic trip units are identical but do not include DAS / Maintenance Mode functionality.



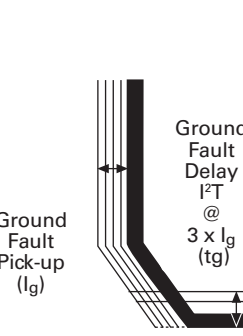
# Molded Case Circuit Breakers

## Digital Solid State Sentron Sensitrip IV Series

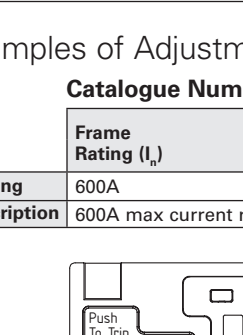
Technical



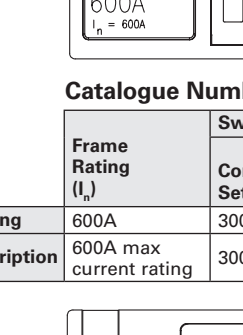
**A. Adjustable "Continuous Amps" Rating Switch**  
All Sensitrip IV solid state molded case circuit breakers have an adjustable ampere rating switch. Adjustments made to this switch change the continuous current rating of the breaker.



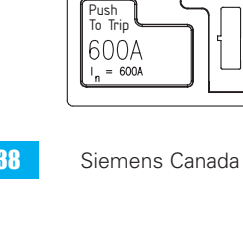
**B. Adjustable "Long Time Delay" Switch**  
All Sensitrip IV circuit breakers have an adjustable long time delay switch to allow for selection of long time delays of fixed time intervals at six times the setting of the adjustable "continuous amps" rating switch.



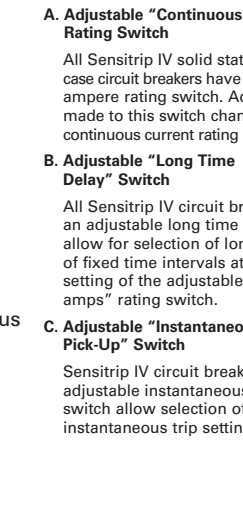
**C. Adjustable "Instantaneous Pick-Up" Switch**  
Sensitrip IV circuit breakers with an adjustable instantaneous pick up switch allow selection of a specific instantaneous trip setting.



**D. Adjustable "Short Time Pick-Up" Switch (Optional)**  
Sensitrip IV circuit breakers with an adjustable short time pick-up switch allow for selection of short time pick-up in a range from 1.5 to 10 times the setting of the maximum current rating.



**E. Adjustable "Short Time Delay" Switch (Optional)**  
Sensitrip IV circuit breakers with an adjustable short time delay switch also contain a switch for adjustment in time delay. The adjustable short time delay switch allows for either of two modes of short time delays. One range of settings enables the breaker to be set for fixed time delays and the other range of settings enables the breaker to be set for short time delays based on I<sup>2</sup>t curves.



**Adjustable "Ground Fault Pick-Up" Switch**  
Sensitrip IV circuit breakers containing the optional equipment ground fault protection have a ground fault pick-up setting. The ground fault pick-up settings allow for one of three time delays based on I<sup>2</sup>t curves.  
For 3-phase, 4-wire systems, an external neutral transformer is required with an ampere rating equal to the trip unit ampere rating.

**Legend:**

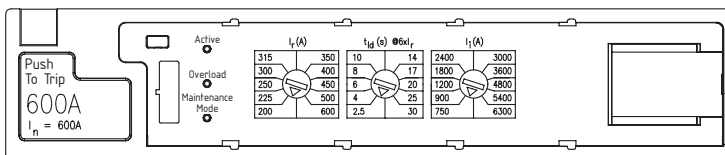
- $I_n$  = Maximum circuit breaker ampere rating
- $I_r$  = Continuous current rating expressed in amperes
- $I_i$  = Instantaneous pickup expressed in amperes
- $I_{sd}$  = Short time pickup expressed in multiples of  $I_r$
- $I_g$  = Ground fault pickup expressed in amperes
- $t_{sd}$  = Short time delay - either fixed or I<sup>2</sup>t time delay function
- $t_{ld}$  = Long time delay - I<sup>2</sup>t time delay function
- $t_g$  = Ground fault delay - I<sup>2</sup>t time delay function

5 MOLDED CASE CIRCUIT BREAKERS

### Examples of Adjustment Settings

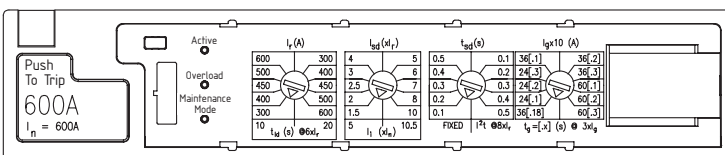
#### Catalogue Number SLD6A600LI

Setting	Frame Rating ( $I_n$ )	Switch 1	Switch 2	Switch 3
		Continuous Current Setting ( $I_r$ )	Long Time Delay Setting ( $t_{ld}$ )	Instantaneous Pickup Setting ( $I_i$ )
Setting	600A	200	2.5	750
Description	600A max current rating	200A	2.5 sec to trip @ $6 \times I_r$ [ $6 \times 200A = 1200A$ ]	750A



#### Catalogue Number SLD6A600LSIG

Setting	Frame Rating ( $I_n$ )	Switch 1		Switch 2		Switch 3	Switch 4
		Cont. Current Setting ( $I_r$ )	Long Time Delay Setting ( $t_{ld}$ )	Short Time Pickup Setting ( $I_{sd}$ )	Instantaneous Pickup Setting ( $I_i$ )	Short Time Delay Setting ( $t_{sd}$ )	Ground Fault Pickup Setting ( $I_g$ )
Setting	600A	300	10	1.5	5	0.1	36 [.18]
Description	600A max current rating	300A	10 sec @ $6 \times I_r$ [ $6 \times 300A = 1800A$ ]	$1.5 \times I_r$ [ $1.5 \times 200A = 300A$ ]	$5 \times I_n$ [ $5 \times 600A = 3,000A$ ]	0.1 sec	$I_g = 36 \times 10$ [ $36 \times 10 = 360A$ ] $0.18 \text{ sec @ } 3 \times I_g$ [ $3 \times 360 = 1,080A$ ]



# Enclosed Circuit Breakers

## Enclosures

General



**Type 1** — A general indoor, sheet-steel enclosure for use in normal atmospheres.

**Type 3R** — An outdoor, sheet-steel enclosure providing protection against driving rain, sleet or snow. Listed as service entrance equipment.

**Types 12** — A special-industry, sheet-steel enclosure for use in atmospheres containing particles of lint, dust, dirt, sawdust and other foreign matter.

5

MOLDED CASE  
CIRCUIT BREAKERS

# Enclosed Circuit Breakers

## Enclosed Breaker Nomenclature

*General*

Sample Part Numbers:	E	3R	ED	6	2	B	060	—	NC
	I	II	III	IV	V	VI*	VII	VIII*	IX*
	E	12	JXD	6	3	B*	200	—	NC
	I	II	III	IV	V	VI*	VII	VIII*	IX*
	E	1S	SHJD	6	B	—	400	LSIG	NC
	I	II	III	IV	V	VI*	VII	VIII*	IX*
<b>I</b>	<b>Base model Start with E</b>								
<b>Placeholder Position Options</b>									
<b>II</b>	May be replaced by 1S, 1F, 12, or 3R								
<b>III</b>	May be replaced by BQ, BQH, HBQ								
	May be replaced by QR, QRH, or HQR								
	May be replaced by ED, HED, HHED, CED								
	May be replaced by FD, FXD HFXD, HFD, HHFD, HHFXD, CFD								
	May be replaced by JD, JXD, HJD, HJXD, HHJD, HHJXD. CJD								
	May be replaced by FD, FXD JD, JXD, SJD, SHJD, SCJD								
	May be replaced by LD, LXD, HLD, HLXD. HHL, HHLCD, CLD, SLD, SHLD, SCLD								
	May be replaced by MD, MXD, HMD, HMXD, CMD, SMD, SHMD, SCMD								
	May be replaced by ND, NXD, HND, HNXD, CND, SND, SHND, SCND								
<b>IV</b>	May be replaced by 2, 4, 6								
<b>V</b>	May be replaced by 2, 3, B								
<b>VI*</b>	May be replaced by B, * If option not present omitted								
<b>VII</b>	May be replaced by :								
	QR	100, 125, 150, 175, 200, 225							
	ED	015, 020, 025, 030, 040, 045, 050, 060, 070, 080, 090, 100, 110, 125							
	FD	070, 080, 090, 100, 110, 125, 150, 175, 200, 225, 250							
	JD	200, 225, 250, 300, 350, 400							
	LD	300, 400, 450, 500, 600							
	MD	600, 700, 800							
	ND	900, 1000, 1200							
<b>VIII*</b>	May be replaced by "LI, LIG, LSI, LSIG, if option+ not present position omitted								
<b>IX*</b>	NC: Suitable for service entrance,+ If option not present position omitted								

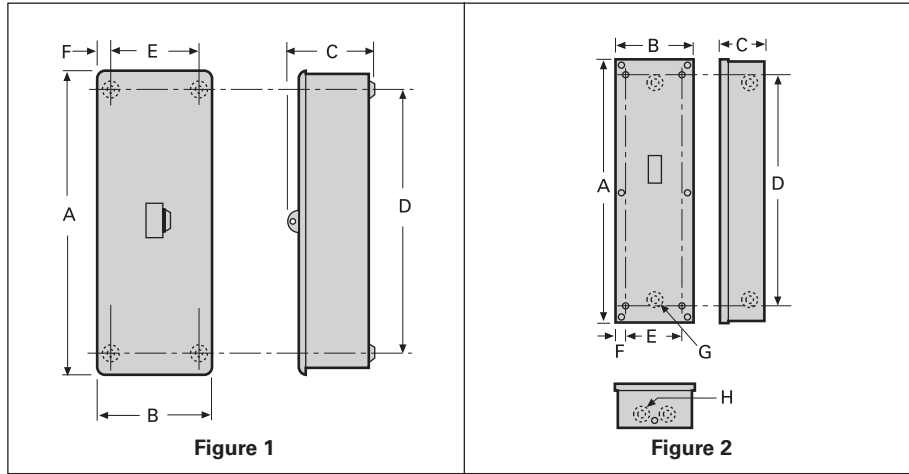
The enclosed breakers are factory assembled. Each enclosed breakers assembly includes the selected type of enclosures, circuit breakers, standard lugs, and Neutral.

# Enclosed Circuit Breakers

## Enclosures — Type 1

Selection/Dimensions

### Dimensions



### Type 1

Fig. No.	Breaker Type	Number of Poles	Maximum Current Rating	Catalogue <sup>®</sup> Number	Weight Lb./Ship. Package	Dimensions (inches)						K.O. Dimensions	
						A	B	C	D	E	F	6 Plcs.	2 Plcs.
1	BQ, BQH, HBQ	3		EB3100S <sup>①②⑦</sup>	32	17 <sup>1/8</sup>	7 <sup>1/8</sup>	4 <sup>3/4</sup>	14 <sup>1/6</sup>	1 <sup>5/16</sup>	1 <sup>5/16</sup>	—	—
2	ED2, ED4, ED6, HED4, HED6	3	100	E2N1S <sup>②</sup> E2N1F <sup>②</sup>	8 8	16 <sup>23/32</sup> 17 <sup>1/2</sup>	7 <sup>1/2</sup> 8 <sup>1/2</sup>	5 <sup>1/16</sup>	13 <sup>45/64</sup>	5 <sup>1/4</sup>	1	7/8, 11/8, 13/8, 13/4, 2, 21/2, 3	
	ED4, ED6, HED4, HED6, CED6		125	CED6N1S <sup>②⑥</sup> CED6N1F <sup>②⑥</sup>	14 14	21 <sup>15/32</sup> 22 <sup>1/4</sup>	7 <sup>19/32</sup> 8 <sup>1/2</sup>	5 <sup>7/64</sup>	18 <sup>1/4</sup>				
	FXD6, FD6, FXD6-A, FD6-A, HFD6, HFXD6, HHFD6, CFD6		250	F6N1S <sup>③</sup> F6N1F <sup>③</sup>	33	38 <sup>13/32</sup>	11 <sup>15/32</sup>	5 <sup>1/16</sup>	33	8	13 <sup>3/64</sup>		
3	JXD2(A), JD6(A), JXD6(A), HJD6(A), HJXD6(A), HHJD6, HHJXD6, SJD6(A), SHJD6(A), SXD6H	2-3	400	J6N1 <sup>③</sup>	120	40 <sup>13/64</sup>	22 <sup>27/64</sup>	10 <sup>45/64</sup>	36	18 <sup>1/4</sup>	2 <sup>5/64</sup>	—	—
	LD6(A), LXD6(A), HLD6(A), HLXD6(A), HHL6, HHLXD6, SLD6(A), SHLD6(A), SCJD6, SCLD6, LXD6H		600	LD6N1 <sup>③</sup> (L6N1) <sup>③</sup>	101	46			42			—	—
	MD6, MXD6, SMD6, HMD6, HMXD6, SHMD6, ND6, NXD6, SND6, HND6, HNXD6, SHND6, CMD6, SCMD6, CND6, SCND6		1200	MND61 <sup>③</sup>	132	60	10	55 <sup>7/8</sup>	—	—			

5 MOLDED CASE CIRCUIT BREAKERS

For inches / millimeters conversion, see Technical section.

- ① Surface mounted, indoor. If flush mounting is required, replace suffix "S" in catalogue number with suffix "F". Also, if outdoor model required, use prefix "W" instead of "E".
- ② Does not include circuit breaker. Order circuit breaker separately.
- ③ Neutral not included. Order as separate item from table on next page.
- ④ Neutral included in enclosure.

- ⑤ Surface mounted, indoor. If outdoor model is required, use prefix "W" instead of "E". Not available in flush ("F") model.
- ⑥ Use for 110-125 ampere ED4, ED6, HED4 or HED6 circuit breakers.
- ⑦ Will not accept breaker with shunt trip.
- ⑧ Will not accept 2-pole GFCI or breaker with shunt trip.
- ⑨ Items cannot be ordered separately. See configuration.

Built to order. Consult sales office for factory lead time and prices.

# Enclosed Circuit Breakers

## Enclosures — Type 1

*Selection/Dimensions*

### Dimensions

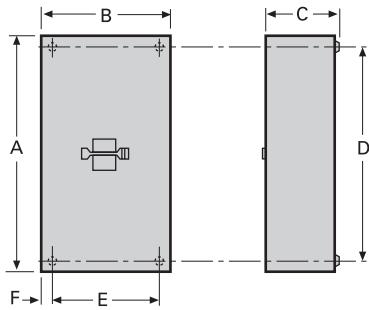


Figure 3

Fig. No.	Breaker Type	Number of Poles	Maximum Current Rating	Catalogue® Number	Weight Lb./Ship. Package	Dimensions (inches)							
						A	B	C	D	E	F	G	H
1	BQ, BQH, HBQ	3	100	EB3100S <sup>①②</sup>	32	17 <sup>1/8</sup>	7 <sup>1/8</sup>	4 <sup>3/4</sup>	14 <sup>1/8</sup>	1 <sup>5/16</sup>	1 <sup>5/16</sup>	—	—

### Neutrals

Enclosure Catalogue Number	Neutral Catalogue Number	Neutral Cable Capacity and Wire Range
E2N1(S)(F) CED6N1(S)(F)	W53045 <sup>③</sup>	(1 pc.) #14–2 Cu/Al Grd. Lug (1 pc.) #14–8 Cu/Al
F6N1(S)(F)	N250 (NFD)	(1 pc.) #6–350 kcmil Grd. Lug (1 pc.) #14–2/0 Cu/Al
J6N1	W60992 (NJD)	(1 pc.) #1/0–750 kcmil Cu/Al or (2 pcs.) #1/0–300 kcmil Cu/Al Grd. Lug (1 pc.) #6–250 kcmil Cu/Al
LD6N1	W60993 (NLD)	(2 pcs.) #1/0–600 kcmil Grd. Lug (1 pc.) #6–250 kcmil Cu/Al
MND61	W63623 (NMND)	(8 pcs.) 250 kcmil–500 kcmil Cu/Al Grd. Lug (1 pc.) #6–300 kcmil Cu/Al

For inches / millimeters conversion, see Technical section.

① Does not include circuit breaker. Order circuit breaker separately.

② Neutral included in enclosure.

③ Items cannot be ordered separately. See configuration.

Built to order. Consult sales office for factory lead time and prices.

# Enclosed Circuit Breakers

## Enclosures — Type 3R

## Selection/Dimensions

### Dimensions

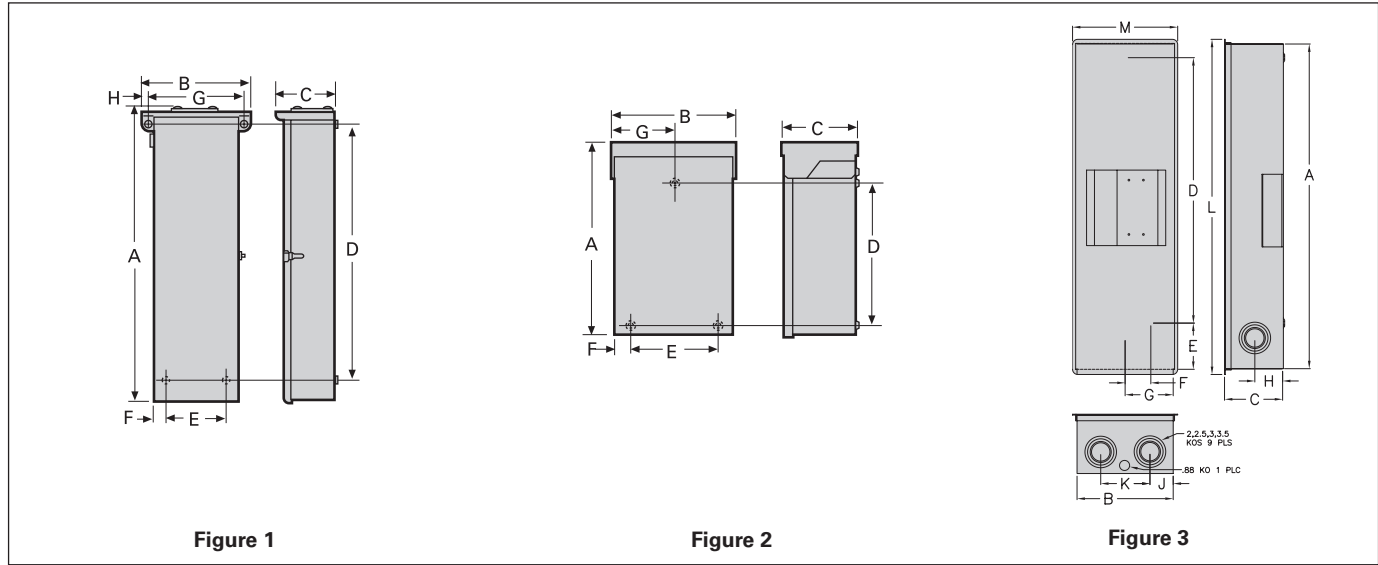


Figure 1

Figure 2

Figure 3

### Type 3R

Fig. No.	Breaker Type	Number of Poles	Maximum Current Rating	Catalogue Number <sup>①</sup>	Weight Lb./Ship. Package	Dimensions (inches)							
						A	B	C	D	E	F	G	H
2	BQ, BQH, HBQ	3	50 100	WB3100 <sup>④</sup>	9	17 <sup>1/8</sup>	7 <sup>3/8</sup>	4 <sup>5/16</sup>	14 <sup>1/8</sup>	4 <sup>1/2</sup>	1 <sup>1/8</sup>	3 <sup>11/16</sup>	—
5	ED2, ED4, ED6, HED4, HED6 CED6	2-3	100 125	E2N3R <sup>③</sup> CED6N3R <sup>③</sup>	12 16	17 <sup>9/16</sup> 22 <sup>21/64</sup>	7 <sup>1/4</sup>	5 <sup>1/4</sup>	12 <sup>39/64</sup> 17 <sup>3/8</sup>	5 <sup>1/4</sup>	1	3	—
1	FXD6, FD6, FXD6-A, FD6-A, HFD6, HFXD6, HHFD6, CFD6		250	F6N3R <sup>②</sup>	45	38 <sup>1/8</sup>	14 <sup>1/16</sup>	7 <sup>3/4</sup>	33 <sup>9/32</sup>	8	13/16	13 <sup>1/2</sup>	13/16
	JXD2(A), JD6(A), JXD6(A), HJD6(A), HJXD6(A), HHJD6, HHJXD6, SJD6(A), SHJD6(A), SXD6H		400	J6N3R <sup>②</sup>	126	40 <sup>63/64</sup>	26 <sup>3/4</sup>	11 <sup>23/32</sup>	40 <sup>3/4</sup>	18 <sup>1/4</sup>	2 <sup>1/8</sup>	24 <sup>1/2</sup>	1 <sup>1/8</sup>
	LD6(A), LXD6(A), LXD6H, HLD6(A), HLXD6(A), HHL6(A), CLD6, SCJD6(A), SLD6(A), SHLD6(A)		600	LD6N3R <sup>②</sup>	127	45 <sup>63/64</sup>							
MD6, MXD6, SMD6, HMD6, HMXD6, SHMD6, ND6, NXD6, SND6, HND6, HNXD6, SHND6, CMD6, SCMD6, CND6, SCND6	1200	MND6 <sup>③</sup>	210	61 <sup>9/64</sup>									

For inches / millimeters conversion, see Technical section.

- ① Does not include circuit breaker. Order circuit breaker separately.
- ② Neutral not included. Order as separate item from table on next page.

- ③ Neutral included in enclosure.
- ④ Will not accept breaker with shunt trip.
- ⑤ Items cannot be ordered separately. See configuration.



# Enclosed Circuit Breakers

## Enclosures — Type 3R

## Selection/Dimensions

### Dimensions

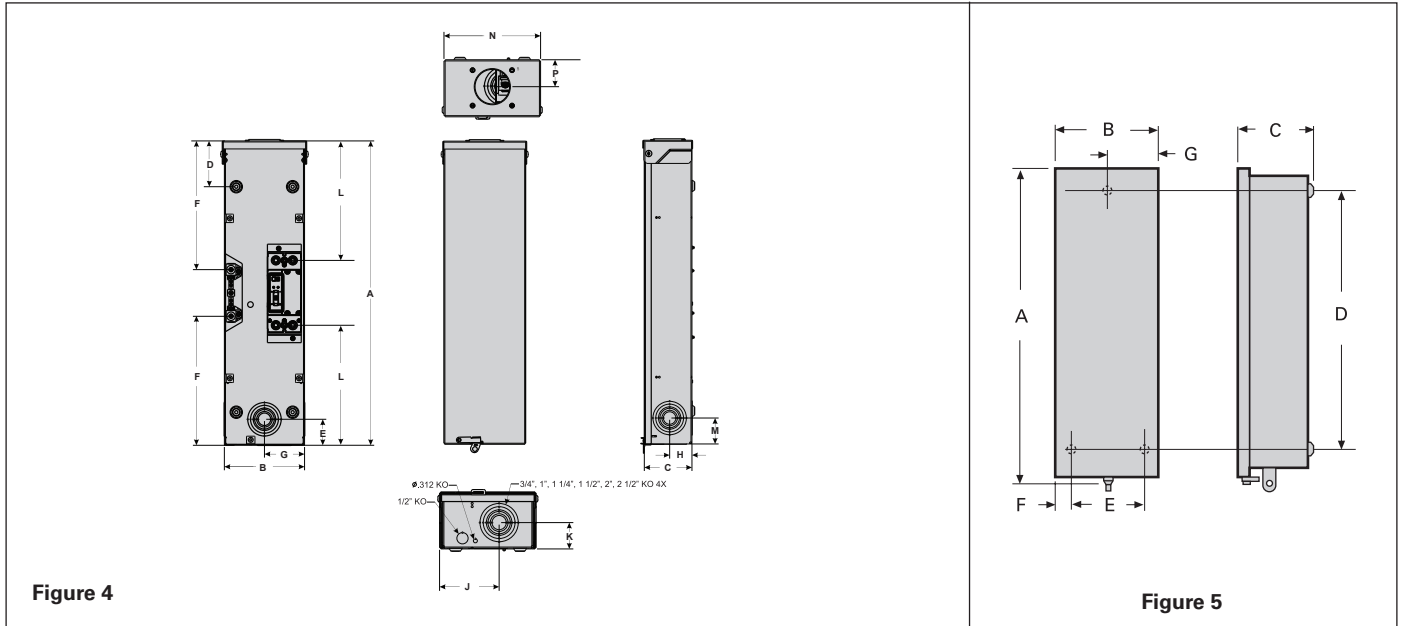


Figure 4

Figure 5

Fig. No.	Breaker Type	Number of Poles	Maximum Current Rating	Weight Lb./Ship. Package	Dimensions (inches)													
					A	B	C	D	E	F	G	H	J	K	L	M	N	P
3	QR2, QR2H, HQR2, QR2H	3	225A	40	31.4	9.1	5.6	25.3	6.1	2.4	4.6	2.2	2.1	4.9	32.2	9.6	—	—
4	QR2, QR2H, HQR2, QR2H	2	225A	40	27	7.1	4.2	4.1	2.3	11 <sup>1/2</sup>	3.6	2	4.6	2	10.7	2.3	7 <sup>1/2</sup>	2.1

### Neutrals

Enclosure Catalogue Number	Neutral Catalogue Number	Neutral Cable Capacity and Wire Range
E2N3R <sup>Ⓢ</sup>	W53045 <sup>Ⓢ</sup>	(1 pc.) #14–2 Cu/Al Grd. Lug (1 pc.) #14–8 Cu/Al
CED6N3R <sup>Ⓢ</sup>		
F6N3R <sup>Ⓢ</sup>	N250	(1 pc.) #6–350 kcmil Grd. Lug (1 pc.) #14–2/0 Cu/Al
JD6N3R <sup>Ⓢ</sup>	W60992	(1 pc.) #1/0–750 kcmil Cu/Al or (2 pcs.) #1/0–300 kcmil Cu/Al Grd. Lug (1 pc.) #6–250 kcmil Cu/Al
LD6N3R <sup>Ⓢ</sup>	W60993	(2 pcs.) #1/0–600 kcmil Grd. Lug (1 pc.) #6–250 kcmil Cu/Al
MND63 <sup>Ⓢ</sup>	W63623	(8 pcs.) 250 kcmil–500 kcmil Cu/Al Grd. Lug (1 pc.) #6–300 kcmil Cu/Al

Hubs — see page 5-146

For inches / millimeters conversion, see Technical section.

- Ⓢ Does not include circuit breaker. Order circuit breaker separately.
- Ⓣ Neutral not included. Order as separate item from table on next page.

- Ⓢ Neutral included in enclosure.
- Ⓣ Use CED enclosure for all ED-frame 110-125 ampere units.
- Ⓤ Items cannot be ordered separately. See configuration.

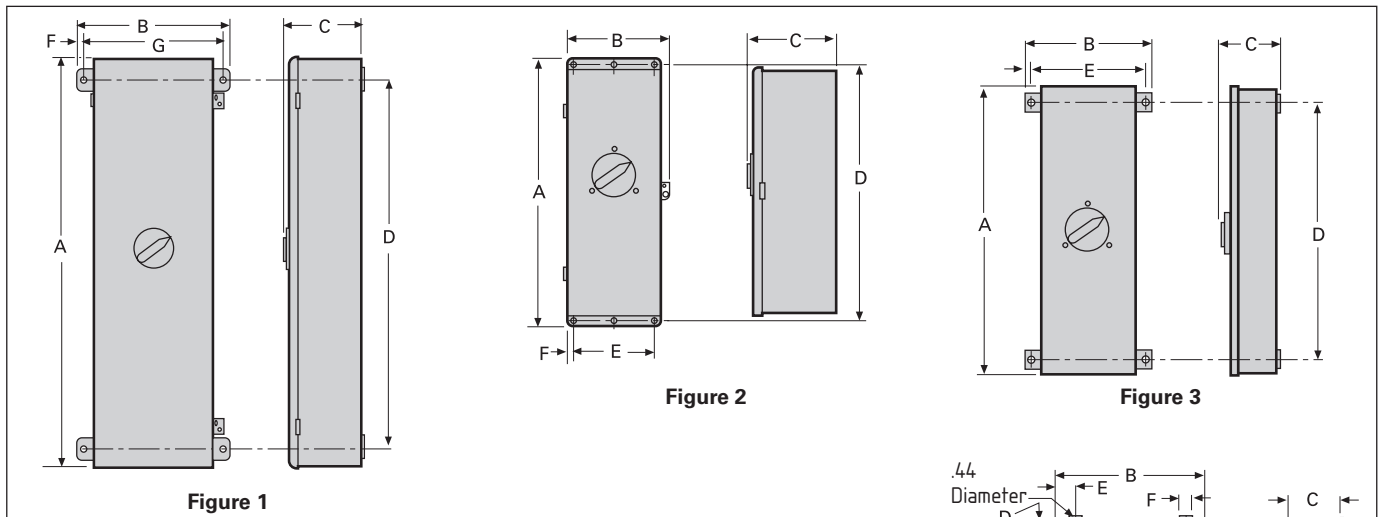
# Enclosed Circuit Breakers

## Enclosures — Type 12

## Selection/Dimensions

Fig. No.	Breaker Type	Number of Poles	Maximum Current Rating	Catalogue <sup>®</sup> Number	Weight Lb./Ship. Package	Dimensions (inches)					
						A	B	C	D	E	F
2	ED2, ED4, ED6, HED4, HED6	2-3	100	<b>E2N12<sup>®</sup></b>	12	18 <sup>5/8</sup>	8 <sup>11/32</sup>	7 <sup>1/16</sup>	18	6 <sup>1/16</sup>	1/2
5	CED6		125	<b>CED6N12<sup>®</sup></b>	16	22 <sup>5/8</sup>			22		5/8
1	FXD6, FD6, FXD6-A, FD6-A, HFD6, CFD6		250	<b>F6N12<sup>®</sup></b>	40	38 <sup>19/32</sup>	14 <sup>29/64</sup>	8 <sup>1/8</sup>	34	13	22/32
	JXD2(A), JD6(A), JXD6(A), HJD6(A), HJXD6(A), HHJD6, HHJXD6, SJD6(A), SHJD6(A)		400	<b>J6N12<sup>®</sup></b>	104	40	25 <sup>35/64</sup>	11 <sup>7/8</sup>	36	25 <sup>35/64</sup>	—
	LD6(A), LXD6(A), HLD6(A), HLXD6(A), HHL6, HHLXD6, SLD6(A), SHLD6(A), CJD6, CLD6, SCJD6(A), SCLD6(A)		600	<b>LD6N12<sup>®</sup></b> <b>(L6N12)</b>					45		41
	MD6, MXD6, SMD6, HMD6, HMXD6, SHMD6, ND6, NXD6, SND6, HND6, HNXD6, SHND6, CMD6, SCMD6, CND6, SCND6	1200	<b>MND612<sup>®</sup></b>	220	60	37 <sup>3/8</sup>	10	5/8	3	2	

### Dimensions



### Neutrals

Enclosure Catalogue Number	Neutral Catalogue Number	Neutral Cable Capacity and Wire Range
<b>E2N12<sup>®</sup></b>	<b>W53045<sup>®</sup></b>	(1 pc.) #14-2 Cu/Al
<b>CED6N12<sup>®</sup></b>		(1 pc.) #14-2 Cu/Al
<b>F6N12<sup>®</sup></b>	<b>N250<sup>®</sup></b>	(1 pc.) #6-350 kcmil Grd. Lug (1 pc.) #14-2/0 Cu/Al
<b>J6N12<sup>®</sup></b>	<b>W60992<sup>®</sup></b>	(1 pc.) #1/0-750 kcmil Cu/Al or (2 pc.) #1/0-300 kcmil Cu/Al Grd. Lug (1 pc.) #6-250 kcmil Cu/Al
<b>L6N12<sup>®</sup></b>	<b>W60993<sup>®</sup></b>	(2 pcs.) #1/0-600 kcmil Grd. Lug (1 pc.) #6-250 kcmil Cu/Al
<b>MND612<sup>®</sup></b>	<b>W63623<sup>®</sup></b>	(8 pcs.) 250 kcmil-500 kcmil Cu/Al Grd. Lug (1 pc.) #6-300 kcmil Cu/Al

For inches / millimeters conversion, see Technical section.

- ① Does not include circuit breaker. Order circuit breaker separately.
- ② Neutral not included. Order as separate item.

- ③ Neutral included in enclosure.
- ④ Use CED enclosure for all ED-frame 88-90 ampere units.
- ⑤ Items cannot be ordered separately. See configuration.

# Enclosed Circuit Breakers

## Selection/Dimensions

### Knockouts & Wire Bending Space

Breaker Type	Conduit Range Per Knockout Outside Dimensions (inches)	Types 1, 12				Type 3R			Maximum Cable Sizes Recommended (Cu/Al) for Type 1, 3R, 4, 4X, 12 & 12K Enclosures <sup>②③</sup>		
		Number of Knockouts Per Panel (type 12 have no KO's)									
		Top	Bottom	Side	Back	Bottom	Side	Back		Maximum Hub Size (inches) Type 3R	
BQ, BQH, HBQ 70–100A	3/4, 1, 1 <sup>1/4</sup>	1	1	2	2	8	1	3	2	②	
ED2, ED4, ED6, HED4	7/8, 1 <sup>1/8</sup> , 1 <sup>3/8</sup> , 1 <sup>3/4</sup> , 2	2	2	2	2	2	1	1	2	②	
CED6	7/8, 1 <sup>1/8</sup> , 1 <sup>3/8</sup> , 1 <sup>3/4</sup> , 2 7/8, 1 <sup>1/8</sup> , 1 <sup>3/8</sup> , 1 <sup>3/4</sup> , 2, 2 <sup>1/2</sup>	— 2	— 2	— 2	— 2	2 —	— 1	— 1	2	(CFD6 only 300 kcmil) <sup>②</sup>	
FXD6, FD6, FXD6-A, FD6-A, HFD6, CFD6	1 <sup>1/8</sup> , 1 <sup>3/8</sup> , 1 <sup>3/4</sup> , 2, 2 <sup>1/2</sup> , 3	1 1	1 1	2 —	2 —	1 1	1 —	— —	4	②	
JXD2(A), JXD6(A), JD6(A), HJD6(A), HJXD6(A), HHJD6, HHJXD6, SJD6(A), SHJD6(A)	1 <sup>1/2</sup> , 2, 2 <sup>1/2</sup> , 3, 3 <sup>1/2</sup> , 4	1	1	2	4	—	—	—	4	(2) 500 kcmil	
LXD6(A), LD6(A), HLXD6(A), HLD6(A), HHLXD6, HHLXD6, SLD6(A), SHLD6(A)	1 <sup>1/2</sup> , 2, 2 <sup>1/2</sup> , 3, 3 <sup>1/2</sup> , 4	1	1	2	4	—	—	—	4	(2) 500 kcmil	
MD6, SMD6, HMD6, ND6, SND6, HND6	—	—	—	—	—	—	—	—	4	(3) 600 kcmil or (4) 500 kcmil	

### Hubs (Type 3R)

Breaker Type	Conduit Size (inches)	Catalogue Number
BQ, BQH, HBQ, ED2, ED4, ED6, HED4, HED6, CED6	3/4 1 1/4 1 1/2 2	ECHR075 ECHR100 ECHR125 ECHR150 ECHR200
FXD6-A, FD6-A, HFD6, HFXD6, CFD6, JXD2(A), JD6(A), JXD6(A), HJD6(A), HJXD6(A), LD6(A), LXD6(A), HLD6(A), HLXD6(A)	2 1/2 3 3 1/2 4	ECHV250 ECHV300 ECHV350 ECHV400



**Note:** Enclosures for 250A max breakers have a hub provision on the rainshed. Enclosures for larger breakers (J, L, M & N frame) have blank top rainsheds. Drill or punch hole in the field to accommodate hub size desired.

For inches / millimeters conversion, see Technical section.

- ① 17<sup>1/8</sup>" high enclosure provides sufficient wire bending space for all available CB lugs.
- ② Sufficient wire bending space is provided for all available mechanical type CB lugs.

- ③ The use of cables larger than those listed below may violate NEC & CSA wire bending space requirements.
- ④ The use of compression type connectors will violate NEC and CSA wire bending space requirements.

# Lug Information

## Mechanical Lug

Selection

For Use With Type(s)	Circuit Breaker Ampere Rating	Cables Per Lug	Lug Wire Range	Catalog Number
BQ, BQH, BQHF, BQE, BQF, BL, BLH, HBL, HBQ Switching Neutrals BG, BLG	<b>Line Side</b>			
	15-40	1	#14-#6 AWG Cu #12-#6 AWG Al <sup>1</sup>	TC1Q1 <sup>②</sup>
	45-125	1	#8-#1 AWG Cu #6-#1/0 AWG Al	TA1Q1 <sup>②</sup>
	<b>Load Side</b>			
	15-20	1	#14-#10 AWG Cu #12-#10 AWG Al	Lugs are integral to Circuit Breaker
	25-35	1	#14-#6 AWG Cu #12-#6 AWG Al	
	40-50	1	#8-#6 AWG Cu #8-#4 AWG Al	
	55-70 *exceptions in Table A	1	#8-#4 AWG Cu #8-#2 AWG Al	
	80-100	1	#4-#1/0 AWG Cu #2-#1/0 AWG Al	
	110-125	1	#2-#1/0 AWG Cu #1/0-#2/0 AWG Al	
<b>Line Side (CQD) &amp; Load Side</b>				
BQD, CQD BQD6	15-40	1	#14-#6 AWG Cu #12-#6 AWG Al	Integral
	45-100	1	#8-#1 AWG Cu #6-#1/0 AWG Al	Integral
NGG, HGG, LGG	15-30	1	#14-#6 AWG Cu #12-#6 AWG Al	TC1Q1
	15-30	1	#14-#6 AWG Cu #12-#6 AWG Al	3TC1Q1 (pkg. of 3)
	35-125	1	#8-#1/0 AWG Cu #8-#2/0 AWG Al	3TC1GG20 (pkg. of 3)
	15-125	—	NUT KEEPER PLATE	TNKG3c (pkg. of 3)

Connector wire ranges and cavities are established in conjunction with Table 6.1.4.2.1 of UL 489 standards.

Table A

For Use With Type(s)	Circuit Breaker Ampere Rating	Cables Per Lug	Lug Wire Range	Number of Poles
BQ, BL, QP	<b>Load Side</b>			
	55-60	1	#8-#4 AWG Cu-Al #3 AWG requires 22 or 65 kAIC	This exception is applicable to 1- and 2-pole only

**Note:**

- (A) Molded case circuit breakers having a rated ampacity of 125 amperes or less are to be connected with 60 or 75°C wire. Circuit breakers having a rated ampacity greater than 125 amperes shall only be cabled with 75°C cable unless otherwise indicated on the circuit breaker label. Exceptions to this rule are outlined in article 110-14 C(1)(2) of the 2005 National Electric Code and table 6.1.4.2.1 per CSA C22.2 No5.02 standard.
- (B) Connector wire ranges and cavities are established in conjunction with Table 6.1.4.2.1 of UL 489 standards.

- ① Lug is steel.  
 ② Sold in package of six.  
 ③ One nut keeper plate is required with each lug on the NGG breaker.

# Lug Information

## Aluminum Body Lugs for Copper or Aluminum Wire

*Selection*

For Use With Type(s)	Circuit Breaker Ampere Rating	Cables Per Lug	Lug Wire Range	Catalogue Number
QJ2, QJH2 QJ2H, HQJ2H	60–225	1	#6 AWG–300 kcmil (Cu) #4 AWG–300 kcmil (Al)	TA1Q300 (pkg of 3)
All 2, 3 pole ED2, ED4, ED6, ED6 ETI, HED4,	15–25	1	"#14–#10 AWG (Cu) #12–#10 AWG (Al)"	SA1E025
	30–100	1	#10–#1/0 (Cu or Al)	LN1E100
	110–125	1	#3-3/0 (Cu) #1-2/0 (Al)	TA1E6125
CED6 All 1 pole ED, HED	30–60	1	#10–4 (Cu or Al)	LD1E060 (Load Side)
	70–100	1	#4–#1/0 (Cu or Al)	LD1E100 (Load Side)
FXD6-A, FD6-A, HFD6, CFD6 HHFD6	70–250	1	#6 AWG–350 kcmil (Cu) #4 AWG–350 kcmil (Al)	TA1FD350A
SJD6(A), SHJD6(A) SCJD6	65–200	1–2	#4 AWG–310 kcmil (Cu or Al)	TA2J630
JXD2(A), JXD6(A), JD6(A), SJD6(A), HJD6(A), HHJXD6, HHJD6, SHJD6(A), CJD6, SCJD6	200–400	1–2	3/0–500 kcmil (Cu) 4/0–500 kcmil (Al)	TA2J6500
LXD6(A), LD6(A), SLD6(A), HLD6(A), HHLXD6, HHL6, SHLD6(A), CLD6, SCLD6	250–600	1–2	3/0–500 kcmil (Cu) 4/0–500 kcmil (Al)	TA2J6500
LMD6 <sup>①</sup> , LMXD6 <sup>①</sup> , HLM6 <sup>①</sup> , HLMXD6 <sup>①</sup> , MD6, MXD6, SMD6, HMD6, HMXD6, SHMD6, CMD6, SCMD6	500–600	1–2	#1–500 kcmil (Cu or Al)	TA2K500
		1–3	1/0–500 kcmil (Cu or Al)	TA3K500
ND6, NXD6, SND6, HND6, HNXD6, SHND6, CND6, SCND6	800–1200	1–4	250–500 kcmil (Cu or Al)	2TA4P8500 <sup>②③</sup> 3TA4P8500 <sup>④</sup>
			250–500 kcmil (Cu or Al)	2TA4N8500 <sup>③</sup> 3TA4N8500 <sup>④</sup>
PD6, HPD6, CPD6 PXD6, HPXD6, SPD6, SHPD6	1200–1600	1–5	300–600 kcmil (Cu or Al)	TA5P600
PD6, PXD6, HPD6, HPXD6, SPD6, SHPD6, RD6, RXD6, HRD6, HRXD6	1200–2000	1–6	300–600 kcmil (Cu or Al)	TA6R600

① Use TA2K500 or TA3K500 only.  
② Contains 2 connectors plus 1 NDTs end barrier.  
③ Contains 3 connectors plus 1 NDTs end barrier.

# Lug information

## Optional Mechanical Lugs

Selection

For Use With Type	Circuit Breaker Ampere Rating	Cables Per Lug	Lug Material	Lug Wire Range	Qty per Cat. #	Catalogue Number
QJ2, QJH2, QJ2H, HOJ2H	60–225	1	Cu	#6 AWG–250 kcmil (Cu)	1	TC1Q250
ED, HED 2&3 pole	2–3 pole 30-125	1	Cu	#10–#1/0 (Cu)	1	TC1ED6150
HFD6, HHFD6, CFD6, F(X)D6-A	70–250	1	Cu	#6 AWG–350 kcmil (Cu)	1	TC1FD350
J(X)D2(A), J(X)D6(A), HJD6(A), HHJD6, SHJD6(A), L(X)D6(A), HHL6, SCD6, HLD6(A), SHLD6(A), CJD6, CLD6, SCJD6, SCLD6	200–600	1 1–2	Cu	3/0–600 kcmil (Cu) 3/0–500 kcmil (Cu)	1 1	TC1J6600 <sup>Ⓞ</sup> TC2J6500 <sup>Ⓞ</sup>
	250–600	1 1	Al	500–750 kcmil (Al) 500–600 kcmil (Cu)	1	TA1L6750
SMD6, M(X)D6, HM(X)D6, HMD6, CMD6, SCMD6, SND6, N(X)D6, HN(X)D6, SHND6, CND6, SCND6	500–600	1–2	Cu	#1 AWG–500 kcmil (Cu)	1	TC2K500
	700–800	1–3	Cu	#1 AWG–350 kcmil (Cu)	1	TC3K350
		1–2	Al	500–750 kcmil (Cu) 500–750 kcmil (Al)	2 3	2TA2N8750 3TA2N8750
	800–1200	1–3	Al	500–750 kcmil (Cu) 500–750 kcmil (Al)	2 3	2TA3N8750 3TA3N8750
R(X)D6, HR(X)D6	1600–2000	1–5	Cu	300–600 kcmil (Cu)	1	TC5R600
P(X)D6, HP(X)D6, CPD6, SPD6, SHPD6	1200–1600	1–4	Al	600–750 kcmil (Cu/Al)	1	TA4P750

## Compression Lugs

For Circuit Breaker Types	Ampere Rating	Poles	Lugs Per Kit	Lug Wire Size	Catalogue Number
Lugs (contains indicated number of lugs and necessary hardware per kit)					
ED2, ED4, ED6, HED4, CED4	15–125	1, 2, 3	1	#2/0 AWG Cu/AL	CCE125
QJ2, QJH2, QJ2-H	125–225	2, 3	1	350 kcmil Cu/AL	CCQ225
F(X)D6-A, HF(X)D6, HHF(X)D6, CFD6	125–250	2, 3	1	350 kcmil	CCF250
JXD2-A, J(X)D6-A, HJ(X)D6-A, HHJ(X)D6-A, CJD6, SJD6-A, SHJD6-A, SCJD6, L(X)D6-A, HL(X)D6-A, CLD6, SLD6-A, SHLD6-A, SCLD6	200–600	2, 3	1	500 kcmil	CCL600
Kits (contain lugs and hardware for complete line or load end of 2 or 3 pole breaker)					
M(X)D6, HM(X)D6, CMD6, SMD6, SHMD6, SCMD6	500–800	2	6	500 kcmil	CCM800K2
		3	9		CCM800K3
N(X)D6, HN(X)D6, CND6, SND6, SHND6, SCND6	900–1200	2	8		CCN1200K2
		3	12		CCN1200K3

## Distribution Lugs<sup>Ⓞ</sup>

For Circuit Breaker Types	Ampere Rating	Poles	Lugs Per kit	Wires Per Lug	Lug Wire Size	Catalogue Number
NGG, HGG, LGG	15-125	1,2,3	1	6	#6-#4 AL #14-#4 Cu	TA6GG04
ED2, ED4, ED6, HED4, HHED6, CED6	15-125	1,2,3	1	6	#14-#4 AWG Cu #6-#4 AWG Al	TA6ED06
F(X)D6-A, HF(X)D6, HHF(X)D6, CFD6	70-250	2,3	1	6	#14-#4 AWG Cu #6-#4 AWG Al	TA6FD04
XD2-A, J(X)D6-A, HJ(X)D6-A, HHJ(X)D6-A, CJD6-A, JD6, L(X)D6-A, HL(X)D6-A, CLD6-A, LD6-A, SCLD6	200-600	2,3	1	6	14-2/0 AWG Cu #6-2/0 AWG Al	TA6JD20

<sup>Ⓞ</sup>Used for 100% rated JD/LD frame circuit breakers.

<sup>Ⓞ</sup> Special purpose wire connectors, not for general use.



# Molded Case Circuit Breakers

## Modifications

A variety of internal and external accessories, as well as modifications, are available to adapt Siemens circuit breakers to special installation requirements. CSA approved / UL listed internal accessories for 100 through 2000A circuit breakers are field-addable.

Internal accessories fine tune an electrical distribution system, allowing control of the circuit breakers to meet special application requirements. For example, emergency situations may dictate tripping critically placed circuit breakers quickly. Shunt trips accomplish this conveniently and efficiently. Or, when voltage drops are a concern, undervoltage trips automatically open the circuit breaker at a predetermined voltage level.

A wide range of external operating and mounting accessories is also available. For example, face, shallow, and back mounting plates are ideal for tailoring BQ circuit breakers to OEM applications. A complete line of operating handles and handle-blocking devices meet switchboard, enclosure and safety needs. Plug-in mounting assemblies, which simplify switchboard mounting of circuit breakers and permit breaker removal without disconnecting bus or cable connections, are available.

## UL 489 Supplement SB Naval Use Breakers

Breakers tested to UL 489 Supplement SB are qualified for use on non combat and auxiliary naval vessels.

Siemens' molded case breakers from the ED frame through the 2000 Amp SB frame can be labeled "Naval" in compliance with Supplement SB.

Supplement SB testing comprises two sets of vibration tests. The first is to find mechanical resonances in the product and to subject the breaker to extreme testing at each resonant frequency. The second is a swept frequency test, in which the frequency of excitation is changed in intervals of 1Hz, and held at each frequency for five minutes. The excitation frequencies run from 4 to 33Hz, and the test is conducted in each of the three orthogonal axes of the breaker.

During these tests, the breaker must not trip from the closed position, nor may the contacts touch from the open position. Calibration and insulation resistance are also verified during the test.

For detailed information, refer to UL 489, Supplement SB.

## Selection/ General

## Modifications<sup>①</sup>

**50°C Ambient Calibration — Not CSA approved / UL listed and not available for solid state, 100% rated breakers or 400HZ calibrated breakers.**

- For BL Type Circuit Breakers
  - Add suffix 'M' to catalogue number (Example: B120M)
- For BQ, QJ2, and ED Frame Circuit Breakers
  - Replace 'B' in catalogue number with 'M' (Example: BQ3M060, QJ23M200, ED63M060)
- For FD, JD, LD, LMD, MD, ND, PD, and RD Frame Circuit Breakers
  - Non-Interchangeable Trip (3-pole only)
    - Replace 'B' in catalogue number with 'M' (Example: FXD63M225, JXD63M400)
  - Interchangeable Trip (trip unit only, 3-pole only)
    - Replace 'T' in catalogue number with 'W' (Example: FD63W200, JD63W400)

### 400 HZ Calibration

- CSA approved / UL Listed (5KA IR)
  - For BQ, BL, and QJ Type Circuit Breakers (200A max.)
    - Add suffix 'Y' to catalogue number
- Not CSA approved / UL Listed
  - For all other Circuit Breakers — Add suffix 'Y' to catalogue number

### Fungus Proofing — In accordance with MIL-T-152.

- All BQD, CQD, NGG, ED, FD, JD, LD, LMD, MD, ND, PD, and RD, Frame Circuit Breakers are inherently fungus resistant and do not require special treatment.
- Fungus proofing in accordance with MIL-T-152
  - For BL, and BQ Type Circuit Breakers
    - Order must be placed directly with the factory by the sales office.
  - For all other Circuit Breaker Types
    - Order must be placed directly with the factory by the sales office.

### Certificate of Compliance

Certificate of compliance testing must be performed on the actual device being shipped. The certificate cannot be provided after initial shipment. Order for devices with COC requirement must be placed directly with the factory by the sales office.

### Ordering Information<sup>②</sup>

For "NAVAL" label, order must be placed directly with the factory by Siemens Sales Office.

Types	UL File
ED2, ED4, ED6, HED4	E10848, Vol 4, Sec 11
CED6	E10848, Vol 4, Sec 13
FD6, FXD6, HFD6, HFXD6	E10848, Vol 4, Sec 17
CFD6	E10848, Vol 4, Sec 18
JXD2, JD6, JXD6, LXD6, LD6, HJD6, HJXD6, HLD6, HLXD6	E10848, Vol 4, Sec 8
HHJD6, HHJXD6, HHL6, HHLXD6	E10848, Vol 4, Sec 20
CJD6, CLD6	E10848, Vol 4, Sec 14
MD6, MXD6, HMD6, HMXD6, CMD6, ND6, NXD6, HND6, HNXD6, CND6	E10848, Vol 4, Sec 15
PD6, PXD6, HPD6, HPXD6, CPD6, RD6, RXD6, HRD6, HRXD6	E10848, Vol 4, Sec 19

① Consult sales office for pricing.

# Molded Case Circuit Breakers

## Internal Accessories

*Selection/ General*

### Feature Combinations

The available feature combinations are shown in the chart below. For applications requiring combinations of features not listed in this chart, consult the sales office for availability.

Breakers	Modules/ Breaker	Avail. On Breaker Poles	ST	ST/ AUX	ST/ ALSW	ST/ AUX/ ALSW	UVT	UVT/ AUX	UTV/ ALSW	UVT/ ST/ ALSW	AUX	AUX/ ALSW	ALSW	Elect. Bell Alarm	Ground Fault	Ground Fault w/Bell
QP, BQ, BL <sup>①</sup>	1	1, 2, 3	1	—	—	—	—	—	—	—	1, 2	—	—	—	—	—
BQD, CQD, NGG	1	2, 3	1	1/1	—	—	—	—	—	—	1, 2	1/1	1	—	—	—
QR <sup>②</sup>	1	2, 3	1, 2	1/1, 2/2	—	—	—	—	—	—	2	—	—	—	—	—
All ED, EF	1	1, 2, 3	1	1/1	1/1	1/1/1	1	1/1, 1/2	1/1	1/1/1	1, 2	1/1, 2/1	1	—	1	1
All FD, FF	2	2, 3	1	—	—	—	1	1	—	—	1, 2	1/1	1	—	—	—
All JD, LD, LMD <sup>③</sup>	2	2,3	1	1	—	—	1	1/1, 1/2	—	—	1, 2	—	1, 2	—	—	—
SJD6, SHJD6, SCJD6, SLD6, SHLD6, SCLD6 <sup>④</sup>	1	3	1	1	—	—	1	1/1, 1/2	—	—	1, 2	—	1, 2	—	—	—
All MD, ND, PD, RD Including Electronic trip <sup>⑤</sup>	2	2,3	1	1/1	—	—	1	1/1, 1/2	—	—	1, 2	1/1, 2/1	1, 2	—	—	—

### Shunt Trip (ST)

One or all critical circuit breakers may be tripped from a distant control point by use of a shunt trip device. A shunt trip operates through an auxiliary switch contact; when the breaker opens, current is not maintained on the shunt trip coil.

### Undervoltage Trip (UVT)

When voltage drops to a value below 35% of the nominal coil rating, the undervoltage trip device automatically opens the breaker. The operation is instantaneous, and the circuit breaker cannot be reclosed

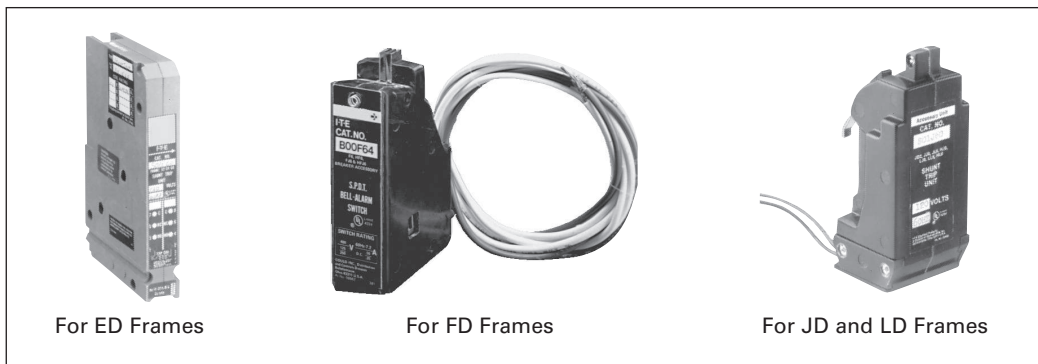
until the voltage returns to 85% of line voltage. The undervoltage trip, which is continuously energized, must be energized before the circuit breaker can be closed.

### Auxiliary Switch (AUX)

For applications requiring remote "on" or "off" indication (or electrical interlocking), auxiliary switches are available. Each switch comprises an "A" (open when circuit breaker is open) and a "B" (closed when circuit breaker is open) contact with a common connection. (Form C)

### Alarm Switch (ALSW)

The alarm switch contact is closed when the circuit breaker is opened automatically by an overload, short circuit, shunt trip or undervoltage trip. The alarm switch contact is open when the circuit breaker is reset.



① Factory assembled only  
② If mechanical interlock is installed, no accessory module can be installed in the right pocket.

③ If mechanical interlock is installed, no accessory module can be installed.  
④ If mechanical interlock is installed, no accessory module can be installed in the left pocket.

⑤ Two accessory pockets in 3-pole breakers. One accessory pocket in 2-pole breakers

# Molded Case Circuit Breakers

## Circuit Breaker Accessories

Selection/ General

### Circuit Breaker Accessories ④⑤⑥⑦⑧⑨

Catalog Number	For Use With Breaker Type	Number of Poles	Standard Package
<b>Padlocking Device</b>			
For locking breaker in "OFF" position. Note "ON" position does not affect breaker functionally			
ECPLD1	Type QP, BL, QAF2, QPF2, QE, QT-Duplex, BQ, BQXD	1P	3 Pieces
ECPLD1R	Type QP, BL, QAF2, QPF, QE, QT-Duplex, BQ, BQXD (Red Color)	1P	3 Pieces
ECPLD2	Type QP, BL, QAF2, QPF, QE, BQ, BQXD	2P	3 Pieces
ECPLD2R	Type QP, BL, QAF2, QPF, QE, BQ, BQXD (Red Color)	2P	3 Pieces
ECPLD3	Type QP, BL, QAF2, QPF, QE, BQ	3P	1 Piece
US2:ECPLD3R	Type QP, BL, QAF2, QPF, QE, BQ (Red Color)	3P	1 Piece
EQQLD3	Type QP, BL, BQ, BQXD	1P	10 Pieces
EQQLN3②	150-225 MBKA, QN, QNR	n/a	1 Piece
ECQTH4	Type QP, BL, BQH	Designed for (3) 1P Breakers	1 Piece
<b>Handle Tie</b>			
Provide simultaneous switching of 2 adjacent handles.			
ECQTH3	Type QP, BL	2P	50 Pieces
<b>Mechanical Interlock①</b>			
EQML12	Type QP, BL, BQ Interlock Bracket	Designed for 1" Breaker	10 Pieces
<b>Handle Blocking Device</b>			
For holding breaker in "ON" or "OFF" position. Not a lockout/tagout device			
EQQL1	Type QP, BL, BQ, BQXD	1P	10 Pieces
<b>Main Breaker Retainer</b>			
ECMBR1③	EQ Load Centers		1 Piece
<b>Mounting Accessories</b>			
MB120	Type BQ, BQH Mounting Clips	1P	20 Pieces
FP9508	Type BQ, BQH FACE MOUNT PLATE	1P	10 Pieces
FP9555	Type BQ, BQH FACE MOUNT PLATE	2P	10 Pieces
FP9556	Type BQ, BQH FACE MOUNT PLATE	3P	10 Pieces
SMB6R	Type BQ MOUNTING BRACKET	1P, 2P, 3P	6 Pieces
TCH65K	Type BQ MOUNTING ADAPTER		500 Pieces
BR2	Type BQ, BQH, BQXD Back Mounting Plates	2P	10 Pieces
BR3	Type BQ, BQH, BQXD Back Mounting Plates	3P	10 Pieces
BR4	Type BQ, BQH, BQXD Back Mounting Plates	4P	10 Pieces
I0204ML1125CU	Type QP Back Mounting Plates	1P, 2P	10 Pieces
I0303ML3100CU	Type QP Back Mounting Plates	3P	10 Pieces
<b>Replacement Lugs</b>			
TA1Q1	Type BQ, NGG 100A Al Cu LGS	n/a	6 Pieces
TC1Q1	Type BQ, NGG 40A Al Cu LUGS	n/a	6 Pieces
<b>Finger Shield</b>			
BQFS1K	Type BQXD Finger Shield (Bulk Pack)	n/a	1000 Pieces
BQFS2	Type BQXD Finger Shield	n/a	2 Pieces
<b>Filler Plate</b>			
ECQF3	1" Filler Plate	n/a	5 Pieces

① For a complete list of standby power mechanical interlock kits, see page 1-25

② For use with Ultimate Load Center Main Breakers

③ Not suitable for use on 15-50A, 10 AIC Type QP Circuit Breakers

④ BL Type includes BLH, HBL

⑤ BQ Type includes BQH, HBO

⑥ QAF2 Type includes QAFH2, BAF2, BAFH2, QFGA2,

QFGAH2, BFGA2, BFGAH2

⑦ QPF Type includes QPHF, BLF, BLHF

⑧ QE Type includes QEH, BLE, BLEH

# Molded Case Circuit Breakers

## Circuit Breaker Accessories

General

### Padlocking Device



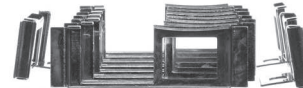
ECPLD1



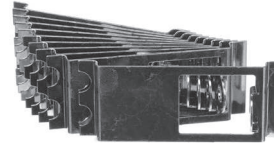
ECPLD2



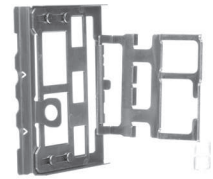
ECPLD1R/2R/3R (Single pole pictured. 2-/3-pole available)



ECQLD3



ECQLD4



ECQTH4

### Handle Tie



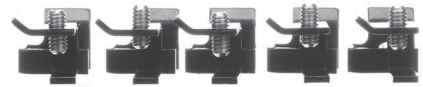
ECQTH2



ECQTH3

### Handle Blocking Device

ECQL1



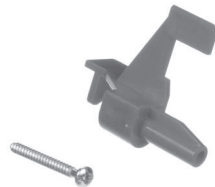
ECBX231M



### Main Breaker Retainer

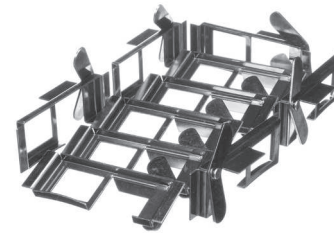


ECMBR1



ECMBR2

### Mechanical Interlock



ECQML12

### Mounting Accessories



MB120



SMB6R



I0204ML1125



FP9508



FP9555



FP9556

# Molded Case Circuit Breakers

## External Accessories

*Selection*

### Handle Ties with Padlock Device

Provide simultaneous switching of 2 or 3 adjacent handles.  
Do not provide common trip.

For Use With Breaker Frame(s)	Catalogue Number	Standard Package	Wt Lb/Std Pkg
BQD, NGB, HGB, LGB	<b>BQDHT2</b>	10	½
	<b>BQDHT3</b>	10	½

### Padlocking Devices

For locking breaker in "OFF" position.

All QR	<b>HPLQR</b>	1	¼
All BQD, CQD, NGB, HGB, LGB	<b>BQDPLD</b>	1	⅛
NGG, HGG, LGG	<b>HPLG</b>	1	¼
EB, 1- thru 3-pole	<b>HPLEB</b>	1	⅛
All ED	<b>ED2HPL</b>	1	¼
All FD	<b>FD6PL1</b>	1	¼
All JD, LD, LMD	<b>JD6HPL</b>	1	¼
All MD, ND, PD, RD	<b>MN6PLD</b>	1	¼



### Handle Blocking Devices

For holding breaker in "ON" or "OFF" position.  
Not a lockout/tagout device.

All QR	<b>HBLQR</b>	1	1
All BQD, CQD, GG, GB	<b>BQDHBD</b>	1	¼
All ED	<b>E2HBL</b>	1	¼
All FD	<b>FD6HB1</b>	1	½
All JD, LD, LMD	<b>JD6HBL</b>	1	½
All MD, ND, PD, RD	<b>MN6BL</b>	1	½



### Handle Extensions

For replacement. One extension shipped with breaker.

All MD, ND, PD, RD	<b>EX11</b>	1	2
--------------------	-------------	---	---

### Terminal Shields

Breaker Type	Poles	Catalogue Number	Standard Package
NGG	3	TSSG3A	1
	1	TSSG61	1
HGG, LGG	2	TSSG62	1
	3	TSSG63	1



① Sold only in standard package quantities.

# Molded Case Circuit Breakers

## External Accessories

Selection

### Face Mounting Plates

For Use With Breaker Frame(s)	Number of Poles	Catalogue Number	Standard Package	Wt Lb/ Std Pkg
CQD	1	CQDFMB1	1	1/4
	2	CQDFMB2	1	1/4
	3	CQDFMB3	1	1/4
NGG, HGG, LGG	1	FMPG1	1	1/4
	2	FMPG2	1	1/4
	3	FMPG3	1	1/4

### Back Mounting Plates

ED2, ED4, ED6, HED4, HED6	1	E2BMB	1	1/4
---------------------------	---	-------	---	-----

### Mounting Screw Kits

CQD	CQDSMK <sup>①</sup>	1	1 1/4
NGG, HGG, LGG	MSKG4	1	1/4
All QR	MSQR3	1	1/8
All ED (CED6 requires 2 kits)	MSE6 <sup>①</sup>	1	1/4
	MSE6100 <sup>②</sup>	100 <sup>②</sup>	1
All FD (CFD6 requires 2 kits)	MSF6 <sup>①</sup>	1	1/4
	MSF650 <sup>③</sup>	50 <sup>③</sup>	1
All JD, LD	MSJ6 <sup>①</sup>	1	1/4
All LMD	MSLMD	1	1/4
All MD, ND,	MSMN	1	1/4
All PD, RD	MSPR6	1	2

### "MI" Mechanical Interlocks

For Use With Breaker Type(s)	Panel <sup>②</sup> Mounted	Plug-in Mounted	Standard Package	Wt Lb Std Pkg
All QR (Sliding Bar)	SBMIQR	—	1	1 1/2
All FD	MI5444	MI5444	1	—
All JD, LD	MI5413 <sup>④</sup>	—	1	1
All LMD	MI5406 <sup>⑤</sup>	—	1	1
All MD	MI5404 <sup>⑤</sup>	—	1	3
All ND	MI5404 <sup>⑤</sup>	—	1	3
All PD, RD	MI5405 <sup>⑤</sup>	—	—	—



Mounting Screw Kit  
MSE6



Mechanical Interlock  
MI5444

<sup>①</sup>Kit consists of 4 screws and washers.  
<sup>②</sup>Consists of 1 screw and washers (order 100).  
<sup>③</sup>Consists of 1 screw and washers (order 50).

<sup>④</sup>With mechanical interlock in place, no accessory can be installed into circuit breaker right pole.  
<sup>⑤</sup>Addition of the mechanical interlock will prevent accessory installation in the left pole.  
<sup>⑥</sup>Sold only in standard package quantities. Multiply List Price Each times package quantity for full price.

<sup>⑦</sup>Mechanical interlock is not designed for use within Siemens panelboards.



# Molded Case Circuit Breakers

## External Accessories

*Selection*

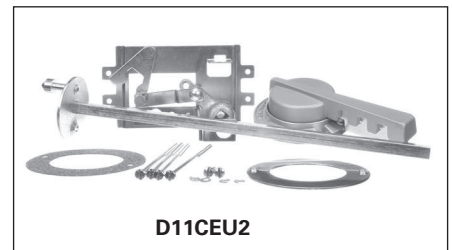
### Rotary Door Mounted Operating Handles Types 1, 3, 3R, 12, 4 X

For Use With Breaker Frames	Complete Mechanism		Handle Only	Breaker Operator	Shaft Only	
	Catalog Number		Catalog Number	Catalog Number	Length (inches)	Catalog Number
	Standard Depth	Variable Depth				
ED <sup>①</sup>	CRHOESD	CRHOEVD	CRHOH <sup>②</sup>	RHOEBO	2	RHOSSD
FD	CRHOFSD	CRHOFVD		RHOFBO	12	RHOSVD
JD, LD	CRHOJSD	CRHOJVD		RHOJBO	16	RHOSXD
LMD	CRHOLMSD	CRHOLMVD		RHOLMBO		
MD, ND PD, RD	RHONSD	RHONVD	RHOH <sup>②</sup>	RHONBO <sup>②</sup>	3 12 24	RHONSSD RHONSVD RHONSXD



### Rotary Door Mounted Operating Handles Types 1 & 12

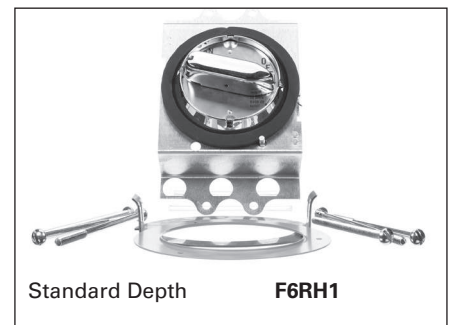
For Use With Breaker Frames	Standard Depth Catalog Number	Variable Depth Catalog Number	Handle and Shaft Catalog Number	Breaker Operator Catalog Number
CQD, NGG, HGG, LGG	—	RHOCQVD	RHOH62 <sup>②</sup>	CQDOP
ED	D11CEU1	D11CEU2	—	—
FD	D11CFU1	D11CFU2	—	—
JD, LD	—	D11CJU2	—	—



For CQD, NGG, HGG and LGG red emergency handle, order assembly **RHOCQVDE** (includes handle and operator).  
For CQD, NGG, HGG and LGG in a NEMA 3R enclosure, order **CQDOP34** operator, **RHOH** handle and **RHOSVD** shaft.  
For CQD, NGG, HGG and LGG in a NEMA 4 or 4X enclosure, order **CQDOP34** operator, **RHOH4** handle and **RHOSVD** shaft.

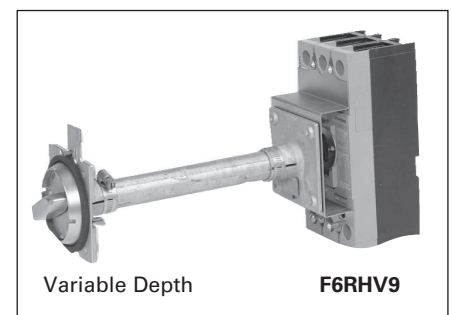
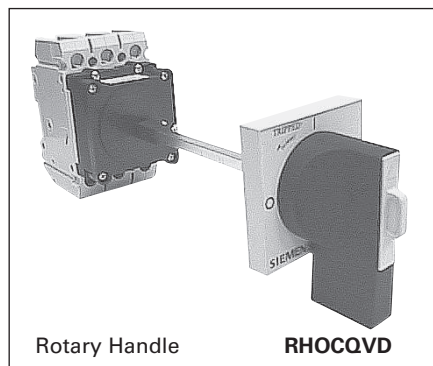
### Through Door Mounted Operating Handles<sup>③</sup> Types 1 & 12

For Use With Breaker Frames	Standard Depth	Variable Depth
	Catalog Number	Catalog Number
CQD, NGG, HGG, LGG	FMHOS	—
ED	E2RH1	E2RHV9
FD	F6RH1	F6RHV9



### Door Latch Kits

Type	Catalog Number	Catalog Number
	Right Hand	Left Hand
2 point latch	DKR2	DKL2
3 point latch	DKR3	DKL3



<sup>①</sup> For use on 3-pole ED frame only.

<sup>②</sup> Meets the requirements of NFPA 79, section 5.3.3.1 for locking external operator disconnecting devices.  
<sup>③</sup> For 3 or 3R, order shaft and breaker operator as shown, and handle **RHOH**. For 4 & 4X, order handle **RHOH4**. Consult sales office for additional EG operator shaft lengths.

<sup>④</sup> For extended shaft support order catalog number **RHONSB2**.  
<sup>⑤</sup> Length of shaft is 300mm (11.8 inches).

# Molded Case Circuit Breakers

## External Accessories

Selection

### Max-Flex™, Flange Mounted Variable Depth Operators<sup>®</sup>

Frames	NEMA Type	Complete Kit Catalog Number	Handle Only Catalog Number	Breaker Operator Catalog Number	36" Cable Catalog Number
GG	1, 3 (R), 12	MFKG3R3	MFHG3R	MFMG	MFCF036
	4 (x)	MFKG4X3	MFHG4X		
ED	1, 3 (R), 12	FHOE036 <sup>®</sup>	FHOH	FHOEBO <sup>®</sup>	FHOEC036
	4 (x)	—	FHOH4		
FD	1, 3 (R), 12	FHOF036	FHOH	FHOFBO	FHOF036
	4 (x)	—	FHOH4		
JD, LD, SJD, SLD	1, 3 (R), 12	FHOJ036	FHOH	FHOJBO	FHOJC036
	4 (x)	—	FHOH4		
LMD	1, 3 (R), 12	FHOLM036 <sup>®</sup>	FHOH	FHOLMBO	FHOJC036
	4 (x)	—	FHOH4		
MD, ND, PD, RD, SMD, SND, SPD	1, 3 (R), 12	FHON048	FHOHN	FHONBO	FHONC048 <sup>®</sup>
	4 (x)	—	FHOHN4		

Max-Flex™ handles are available with solid black handles instead of the customary “red for on” flange handle. These are preferred for use in IEC markets, where red handles have specific meaning. Order components separately, appending the letter “i” to the catalog number (e.g. FHOHI).

### Alternate Length Cable Only

Inches	ED Catalogue Number	FD Catalogue Number	JD/LD/LMD Catalogue Number	MD/ND/PD/RD Catalogue Number
48	FHOEC048	FHOF048	FHOJC048	FHONC048
60	FHOEC060	FHOF060	FHOJC060	FHONC060
72	FHOEC072	FHOF072	FHOJC072	FHONC072
96	FHOEC096	FHOF096	FHOJC096	FHONC096
120	FHOEC120	FHOF120	FHOJC120	FHONC120
144	FHOEC144	FHOF144	FHOJC144	FHONC144

### Handle Auxiliary Switch

For use with Max-Flex and Rotary Door operators (FHOH and RHOH). 1 NO and 1 NC contact (Form C).

For Use With	Catalogue Number
ED, FD, JD, LD, LMD, ND, PD, RD, SD, Max Flex	HAS1

### Fixed Depth Flange Mounting

Frames	Minimum Enclosure Depth	NEMA Type	Left Hand Mount	Right Hand Mount
			Catalogue Number	Catalogue Number
ED <sup>®</sup>	6.44	1, 3R, 12	FDFBEL	DFBFR
			FDFBEL4	DFBFR4
FD	6.44	1, 3R, 12	FDFBFL	DFBFR
			FDFBFL4	DFBFR4

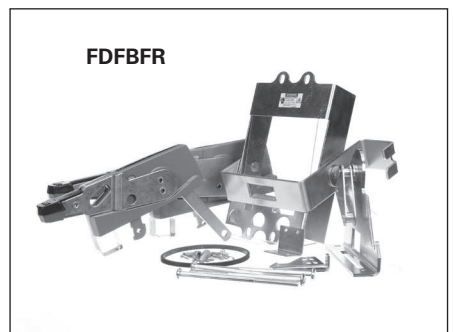
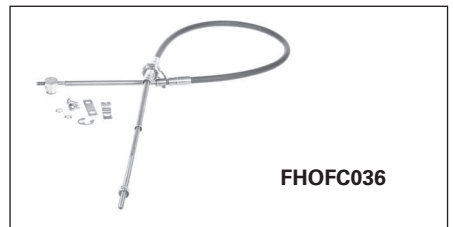
Max-Flex™ handles are available with solid black handles instead of the customary “Red for On” flange handle. These are preferred for use in IEC markets, where red handles have specific meaning. Order components separately, appending the letter “i” to the catalog number (e.g. FHOHI).

<sup>®</sup> For 1- or 2-pole breaker order FHOED036 complete kit or FHOEDBO breaker operator only. Use MFHM3R handle.

<sup>®</sup> 48 inch cable is standard length for M through R frame Max-Flex operators.

<sup>®</sup> Meets requirements of NFPA 79, section 5.3.3.1 for locking external operator disconnecting devices

<sup>®</sup> Consult sales office for additional cable lengths for EG Flex Shaft Operators. For 3-Pole only.



<sup>®</sup> 3-Pole ED only.

<sup>®</sup> FHOLM048 is available for a 48 inch handle kit.

# Molded Case Circuit Breakers

## External Accessories

Selection

### Telemand® Motor Operator

Breaker Frame	AC Voltage	Hinged to Open Down
ED except CED	120	MOE6120
	120	MOE6240

ED motor operator opens downward.

Breaker Frame	DC Voltage	Hinged to Open Right	AC Voltage	Hinged to Open Right
FD	24	MOF6024DC	120	MOF6120
	48	MOF6048DC	240	MOF6240
	125	MOF6125DC	—	—
JD, LD	24	MOJ6024DC	120	MOJ6120
	48	MOJ6048DC	240	MOJ6240
	125	MOJ6125DC	—	—
LMD	24	MOLMD6024DC	120	MOLMD6120
	48	MOLMD6048DC	240	MOLMD6240
	125	MOLMD6125DC	—	—
MD, ND, PD, RD	—	—	120	EMOPL120MN
	—	—	240	EMOPL240MN

To order FD through RD motor operators with Left side hinges, add "L" to catalogue number (e.g. MOF6120L).

### Dimensions

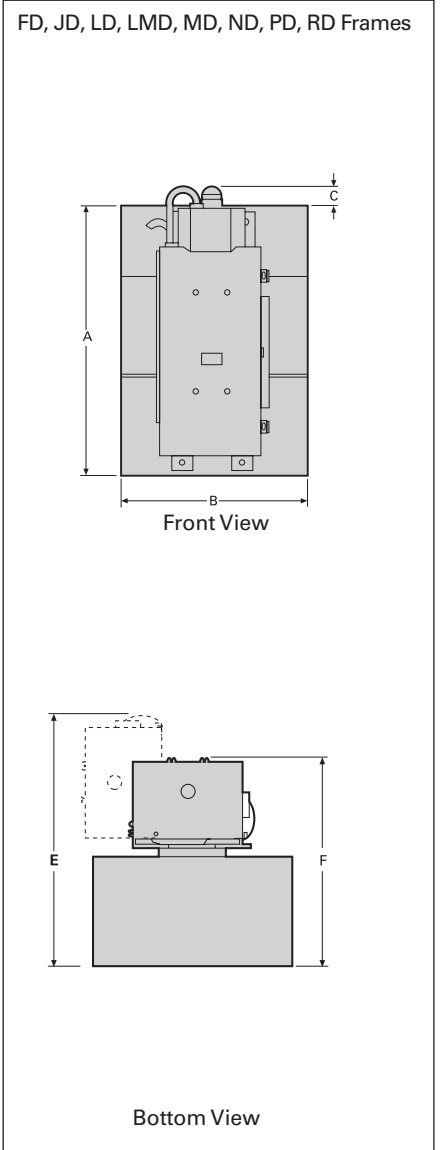
Frame	A	B	C	D	E	F
ED	7.04	4.31	—	4.31	13.84	8.84
FD	9.50	4.55	1.60	6.84	9.70	7.58
JD, LD, LMD	11.00	7.50	0.79	8.34	9.85	7.74
MD, ND, PD, RD	16.00	9.00	—	9.83	13.13	10.13

### Operating Currents

Catalogue Number	On			Off			Reset (Amps)
	In-Rush (Amps)	Running (Amps)	Time (msec)	In-Rush (Amps)	Running (Amps)	Time (msec)	
MOE6120	10.25	2.3	550	10.0	2.3	400	2.3
MOE6240	5.2	1.1	500	5.0	1.0	330	1.1
MOF6120/L	10.0	5.5	200	10.0	5.5	175	5.5
MOF6240/L	4.7	2.5	200	4.7	2.5	185	2.5
MOLMD6120/L	15.2	6.0	210	15.2	6.0	185	6.0
MOJ6120/L	15.2	6.0	210	15.2	6.0	185	6.0
MOJ6240/L	5.0	2.5	217	5.0	2.5	185	2.5
MOMN6120/L	22.7	13.9	240	22.7	13.9	210	13.9
MOMN6240/L	12.6	4.6	260	12.6	4.6	230	12.6



FD, JD, LD, LMD, MD, ND, PD, RD Frames



For inches / millimeters conversion, see Technical section.

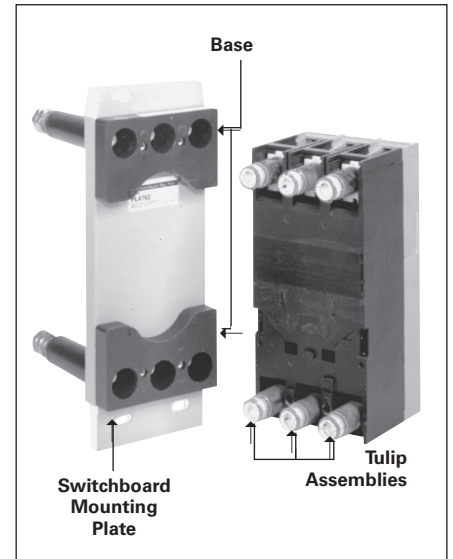
# Molded Case Circuit Breakers

## External Accessories

Plug-In Mounting Assemblies, Including Base and Tulip Assemblies

For Use With Breaker Frames	Poles	Line Side	Load Side	Steel Switchboard Mounting Plate <sup>①</sup> Catalogue Number
		Catalogue Number <sup>②</sup>	Catalogue Number <sup>②</sup>	
All ED except CED	2	PC2637	PC2638	PL2616
	3	PC2657	PC2658	
CED	2	PC2637	PC2638	PL2617
	3	PC2657	PC2658	
All FD except CFD	2	PC4753	PC4753	PL4762
	3	PC4754	PC4754	
CFD	2	PC4753	PC4753	PL4763
	3	PC4754	PC4754	
All JD except CJD	2	PC5777	PC5777	PL5796
	3	PC5778	PC5778	
Kit CJD, SCJD	3	PCCJD	PCCJD	PL5797
All LD except CLD	2	PC5660	PC5660	PL5696
	3	PC5661	PC5661	
Kit CLD, SCLD	3	PCCLD	PCCLD	PL5797
All MD	2	PC5662	PC5662	PL9698
	3	PC5663	PC5663	
All ND	2	PC5664 <sup>③</sup>	PC5664c	PL9699
	3	PC5666 <sup>③</sup>	PC5666 <sup>③</sup>	

## Selection/Dimensions

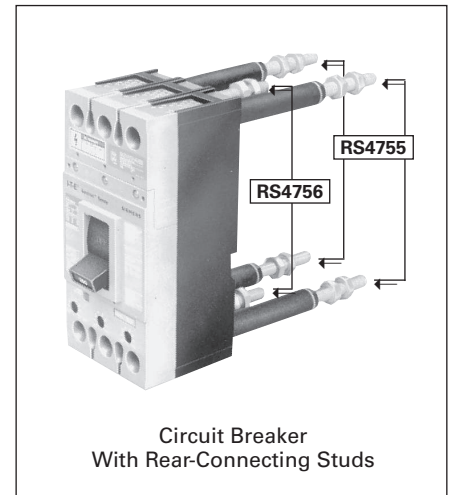


## Tulip Assemblies Separately

For Frame	2 Pole	3 Pole
	Catalogue Number	Catalogue Number
ED	TCE2	TCE3
FD	TCF2	TCF3
JD	TCJ2	TCJ3
LD	TCL2	TCL3
MD	TCM2	TCM3
ND	TCN2	TCN3

## Rear-Connecting Studs

For Use With Breaker Frames	Ampere Rating	Description	Extension Behind Breaker (inches)	Line Side	Load Side
				Catalogue Number	Catalogue Number
All ED	100	Line Side (Short)	2.38	RS2643 <sup>④</sup>	—
	100	Load Side (Short)	2.38	—	RS2644 <sup>④</sup>
	100	Line Side (Long)	4.88	RS2641 <sup>④</sup>	—
	100	Load Side (Long)	4.88	—	RS2642 <sup>④</sup>
All FD	250	Short Long	3.12	RS4756 <sup>④</sup>	RS4756 <sup>④</sup>
	250		7.06	RS4755 <sup>④</sup>	RS4755 <sup>④</sup>
All JD	400	Short Long	5.85	RS5774	RS5774
	400		11.20	RS5773	RS5773
All LD	600	Short Long	5.85	RS5784	RS5784
	600		11.20	RS5783	RS5783
CJD, SCJD CLD, SCLD	Add required shield kit.		—	—	CLRSJL3
LM(X)D6, HLM(X)D6	800	Short Long	5.85	RS5788	RS5788
			11.20	RS5787	RS5787
All MD, ND	1200	Short Long	5.50	RS5786	RS5786
	1200		8.00	RS5785	RS5785



Circuit Breaker With Rear-Connecting Studs

① Furnished at no extra charge when ordered with plug-in mounting assembly.  
② Each piece catalogue number consists of (1) mounting block assembly and required tulip assemblies (2) for 2-pole, (3) for 3-pole

③ For vertical bus mounting — for horizontal, substitute PC5665 for PC5664 and PC5667 for PC5666.  
④ Price includes one current stud, insulating tube, stud nuts and terminal shields, when required.

⑤ For proper electrical clearance, studs must alternate between short and long stud lengths on circuit breaker poles (e.g. SLSLSL or LSLSL).

# Molded Case Circuit Breakers

## Unusual Operating Conditions

Reference

**Note:** The information provided on this and the next page is intended for reference and recommendation only. Because several variables can act on a circuit breaker's performance at the same time, the data below is based less on controlled testing, than on experience and engineering judgment. Contact Siemens for further information on special conditions and treatment.

### High Ambient Temperatures

Because thermal-magnetic trip breakers are temperature sensitive and calibrated for a specific ambient of 40° C (104° F) (average enclosure temperature), a higher ambient will cause the breaker to trip at lower current than its nameplate rating, in other words, causing the breaker to "derate" (see Table 1). Similarly, the current carrying capacity of a circuit conductor is based upon a certain ambient temperature, a higher ambient will reduce its current carrying capacity, causing it to "derate." Thus, with a fluctuating temperature, a thermal-magnetic breaker will derate nearly parallel with its connected circuit conductors and maintain close circuit protection. If the application temperature exceeds 40° C (104° F) and is known, either a breaker specially calibrated for the higher ambient or one oversized according to Table 1 may be selected. In a case such as this, the circuit conductors should be oversized as well. Siemens Sensitrip® III and Type SB Encased Systems Breakers are insensitive to temperature changes. However, they do include circuitry to protect the components from abnormally high temperatures.

### Moisture – Corrosion

For atmospheres having high moisture content and / or where fungus growth is prevalent, a special preventive treatment may be required.

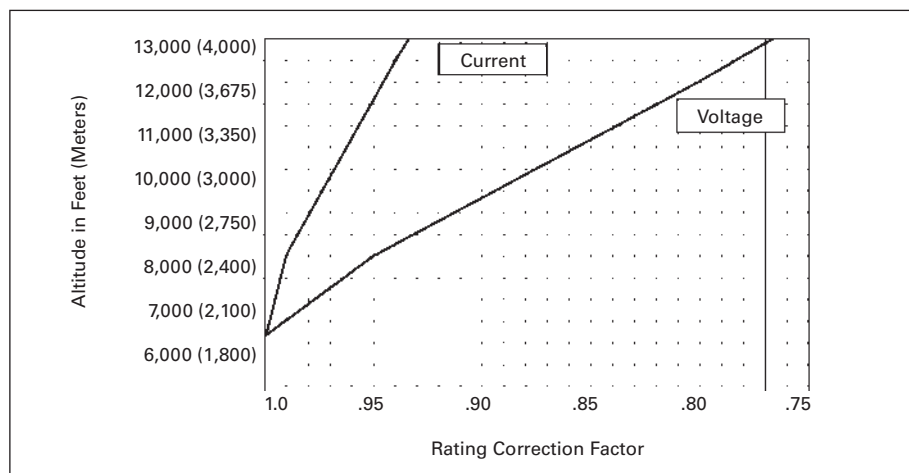
Where the air is heavily laden with corrosive elements, breakers made with special corrosion-resistant finishes may be required.

### Altitude

Reduced air density at altitudes greater than 6600 ft. (2000 meters) affects the ability of a molded case circuit breaker to transfer heat and interrupt faults. Therefore, circuit breakers applied at these altitudes should have interrupting, insulation and continuous currents derated as indicated in Figure 1.

**Table 1 – Temperature Derating Data for Thermal-Magnetic Breakers**

Reference Ampere Rating at 40° C (104° F)	Ampere Rating at:			Siemens Breaker Frames	
	25° C (77° F)	50° C (122° F)	60° C (140° F)		
15	17	13	11	ED	
20	22	18	16		
25	28	23	21		
30	33	28	26		
35	39	30	25		
40	44	37	34		
50	55	46	42		
60	66	56	52		
70	77	65	60		
90	99	84	78		
100	110	94	87		
125	137	114	100	QJ	
150	165	136	120		
175	192	159	140		
200	220	182	160		
225	247	205	180		
250	275	235	220		
300	330	276	252		FD
350	385	325	301		
400	440	372	340		JD
500	550	468	435		
600	660	564	525	LD	
700	770	658	613		
800	880	754	704	MD	
900	990	828	749		
1000	1100	900	825	ND	
1200	1320	1090	1000		
1400	1540	1304	1148	PD	
1600	1760	1500	1320		
1800	1980	1690	1485	RD	
2000	2200	1880	1650		



**Figure 1 – Altitude Adjustment**



# Molded Case Circuit Breakers

## Unusual Operating Conditions

Reference

### 400 Hz Systems<sup>①</sup>

Siemens molded case circuit breakers can be applied for overcurrent protection on 400Hz systems, commonly used to power computer installations, aircraft, military and other specialty equipment. Below are basic guidelines.

#### Circuit Breaker Derating Required

This table lists the maximum continuous current carrying capacity for Siemens breakers at 400Hz. Due to the increased resistance of the copper sections resulting from the skin effect produced by eddy currents at these frequencies, circuit breakers in many cases require derating. The thermal derating on these devices is based upon 100%, three-phase application in open air in a maximum of 40° C (104° F) with 48 in. (1219 mm) of the specified cable or bus at the line and load side. Additional derating of not less than 20% will be required if the circuit breaker is to be utilized in an enclosure. Further derating may be required if the enclosure

ambient temperature exceeds 40° C (104° F).

#### Cable and Bus Sizing

The cable and bus sizes to be utilized at 400Hz are not based on standard National Electric Codes tables for 60Hz application. Larger cross sections are necessary at 400Hz. All bus bars specified are based upon mounting the bars in the vertical plane to allow maximum air flow. All bus bars are spaced at a minimum of 0.25 in. (6mm) apart. Mounting of bus bars in the horizontal plane will necessitate additional drafting. Edgewise orientation of the bus may change the maximum ratings indicated. If additional information is required for other connections of cable or bus, contact Siemens for information.

#### Application Recommendations

It is recommended that temperatures be measured on the line and load terminals or T-connectors of the center pole. These

are usually the hottest terminals with a balanced load. A maximum temperature of 75° C (35° C over a maximum ambient of 40° C) would verify the particular application. Temperature profiles taken on these breakers can be correlated to ensure that the hottest points within the breaker are within the required temperature limits.

#### Factory Configuration

When required, molded case circuit breakers may be factory calibrated for 400Hz application. These breakers are specially labeled for 400Hz usage and their nameplate current rating will include the necessary derating factor. The highest "Maximum Continuous Amperes" rating at 400Hz, found in the table below approximates the highest specially calibrated 400Hz nameplate ampere rating available for a given frame size. Contact Siemens for ordering information on other breakers applied in 400Hz systems.

### 400Hz Breakers

Siemens Breaker Type	Maximum Continuous Ampere Rating At 40° C (104° F) <sup>②</sup>			75° C (167° F) Copper Cable per Pole	
	60HZ	400HZ	Enclosed After Derating	No of Pieces	Wire Size
	Open Air	Open Air <sup>③</sup>			
ED2, ED4, ED6, HED4, CED6	15	15	12	1	#14
	20	20	16	1	#12
	25	25	20	1	#10
	30	30	24	1	#10
	35	35	28	1	#10
	40	40	32	1	#8
	45	43	34	1	#8
	50	48	38	1	#8
	60	57	46	1	#6
	70	67	54	1	#4
	80	76	61	1	#4
	90	86	69	1	#3
	FD6, FXD6, HFD6, HFXD6, CFD6	100	95	76	1
110		105	84	1	#2
125		119	95	1	#1
70		63	50	1	#4
80		72	58	1	#4
90		80	64	1	#3
100		90	72	1	#3
110		95	75	1	#2
125		105	84	1	#1
150		125	100	1	#1/0
JXD2, JD6, JXD6, HJD6, HJXD6, HHJD6, HHJXD6, CJJD6	175	140	112	1	#2/0
	200	160	128	1	#3/0
	225	180	144	1	#4/0
	250	200	160	1	250 kcmil
	200	170	136	1	#3/0
	225	190	152	1	#4/0
	250	210	168	1	250 kcmil
	300	240	192	1	350 kcmil
JD6, JXD6, HJD6, HJXD6 100% Rated	350	260	208	1	500 kcmil
	400	300	240	2	#3/0
	200	170	170	2	#3/0
	225	190	190	2	#4/0
	250	210	210	1	250 kcmil

Siemens Breaker Type	Maximum Continuous Ampere Rating At 40° C (104° F) <sup>②</sup>			75° C (167° F) Copper Cable per Pole	
	60HZ	400/415HZ	Enclosed After Derating	No of Pieces	Wire Size
	Open Air	Open Air <sup>③</sup>			
LD6, LXD6, HLD6, HLXD6, HHLD6, HHLXD6, CLD6	250	210	168	1	250 kcmil
	300	240	192	1	350 kcmil
	350	260	208	1	500 kcmil
	400	300	240	2	#3/0
	450	340	272	2	#4/0
	500	375	300	2	250 kcmil
	600	420	336	2	350 kcmil
LD6, LXD6, HLD6, HLXD6, 100% Rated	250	210	210	1	250 kcmil
	300	240	240	1	350 kcmil
	350	260	260	1	500 kcmil
	400	300	300	2	#3/0
	450	340	340	2	#4/0
	500	375	375	2	250 kcmil
	600	420	420	2	350 kcmil
MD6, MXD6, HMD6, HMXD6, CMD6	500	400	320	2	250 kcmil
	600	430	360	2	350 kcmil
	700	500	400	3	250 kcmil
	800	560	448	3	300 kcmil
MD6, MXD6, HMD6, HMXD6, CMD6 100% Rated	500	400	400	2	250 kcmil
	600	430	430	2	350 kcmil
	700	500	500	3	250 kcmil
	800	560	560	3	300 kcmil
ND6, NXD6, HND6, HNXD6, CND6	800	560	448	3	300 kcmil
	900	600	480	3	350 kcmil
	1000	650	520	3	400 kcmil
	1200	780	624	4	350 kcmil
ND6, NXD6, HND6, HNXD6, CND6	900	600	600	3	350 kcmil
	1000	650	650	3	400 kcmil
	1200	780	780	4	350 kcmil
	1200	780	624	4	400 kcmil
PD6, PXD6, HPD6, HPXD6, CPD6, 100% Rated	1400	850	680	4	500 kcmil
	1600	960	768	5	500 kcmil
	1200	780	780	4	400 kcmil
PD6, PXD6, HPD6, HPXD6, CPD6	1400	850	850	4	500 kcmil
	1600	960	960	5	500 kcmil
	1600	960	768	5	500 kcmil
RD6, RXD6, HRD6, HRXD6 80% Rated	1800	1080	864	5	500 kcmil
	2000	1200	960	6	500 kcmil

<sup>①</sup>The information provided on this page is intended for reference and recommendation only. Because several variables can act on a circuit breaker's performance at the same time, the data above is based less on

controlled testing, than on experience and engineering judgment. Contact Siemens for further information on special conditions and treatment.

<sup>②</sup>Additional derating may be required if the ambient temperature is greater than 40° C (104° F).

<sup>③</sup>Calculated after derating to compensate for the heating of the copper conductor, caused by the skin effect generated by eddy currents produced at 400/415Hz.







# VL Circuit Breakers

## Technical Overview

Technical

### Frame Summary and Ratings Table

Frame Family		DG	FG	JG
				
<b>Continuous Ampere Range</b>		30 to 150A	40 to 250A	70 to 400A
<b>Number of Poles</b>		2, 3	2, 3	2, 3
<b>Maximum Voltage Rating</b>		600Y/347	600Y/347	600Y/347
<b>Type of Protection</b>				
Thermal-Magnetic		◆	◆	◆
Electronic		◆	◆	◆
Electronic with LCD		◆	◆	◆
Motor Circuit Protector		◆	◆	◆
Molded Case Switch		◆	◆	◆
100% Rated 400/500 Amp		ETU only	—	◆
Interchangeable Trip Unit		—	—	◆
	W In.(mm)	4.1 (105)		5.5 (139)
	H	7.3 (175)		11 (279)
	D	3.4 (81)		4.2 (102)
	D1	4.2 (107)		5.4 (138)
<b>Type N – Normal Interrupting Rating<sup>①</sup>, RMS Symmetrical Amperes (kA)</b>				
<b>CSA / UL</b>	240Vac	65	65	65
	480Vac	35	35	35
	600Vac <sup>②</sup>	18	18	25
<b>IEC (I<sub>CU</sub>/I<sub>CS</sub>)</b>	240Vac	65/65	65/65	65/65
	415Vac	40/40	40/40	45/45
	690Vac	12/6	12/6	12/6
<b>DC Voltages – Interrupting Rating (kA)<sup>③</sup></b>				
	250Vdc - 2p	30	30	30
	500Vdc - 3p <sup>②</sup>	18	18	25
<b>Type H – High Interrupting Rating<sup>①</sup>, RMS Symmetrical Amperes (kA)</b>				
<b>CSA / UL</b>	240Vac	100	100	100
	480Vac	65	65	65
	600Vac <sup>②</sup>	18	18	25
<b>IEC (I<sub>CU</sub>/I<sub>CS</sub>)</b>	240Vac	100/75	100/75	100/75
	415Vac	70/70	70/70	70/35
	690Vac	12/6	12/6	15/8
<b>DC Voltages – Interrupting Rating (kA)<sup>③</sup></b>				
	250Vdc - 2p	30	25	25
	500Vdc - 3p <sup>②</sup>	35	50	50
<b>Type H – Very High Interrupting Rating<sup>①</sup>, RMS Symmetrical Amperes (kA)</b>				
<b>CSA / UL</b>	240Vac	200	200	200
	480Vac	100	100	100
	600Vac <sup>②</sup>	18	18	25
<b>IEC (I<sub>CU</sub>/I<sub>CS</sub>)</b>	240Vac	200/150	200/150	200/150
	415Vac	100/75	100/75	100/75
	690Vac	12/6	12/6	15/8
<b>DC Voltages – Interrupting Rating (kA)<sup>③</sup></b>				
	250Vdc - 2p	30	30	30
	500Vdc - 3p <sup>②</sup>	35	30	35

① CSA / UL does not recognize AIC ratings for Molded Case Switches or Motor Circuit Protectors.  
② 500Vdc nominal, for ungrounded DC UPS systems.






③ DC Interruption Ratings do not apply to electronic trip circuit breakers.  
④ DG & FG breakers are 600Y/347V.

# VL Circuit Breakers

## Technical Overview

Technical

### Frame Summary and Ratings Table — Continued

Frame Family		LG	MG	NG	PG
					
<b>Continuous Ampere Range</b>		150 to 600A	200 to 800A	300 to 1200A	400 to 1600A
<b>Number of Poles</b>		2, 3	2, 3	2, 3	3
<b>Maximum Voltage Rating</b>		600V	600V	600V	600V
<b>Type of Protection</b>					
Thermal-Magnetic		◆	◆	◆	◆
Electronic		◆	◆	◆	◆
Electronic with LCD		◆	◆	◆	◆
Motor Circuit Protector		◆	◆	◆	—
Molded Case Switch		◆	◆	◆	◆
100% Rated 400/500 Amp		400/500 Amp	◆	◆	◆
Interchangeable Trip Unit		—	◆	◆	◆ <sup>Ⓢ</sup>
	W In.(mm)	5.5 (139)	7.5 (190)		9 (229)
	H	11 (279) <sup>Ⓢ</sup>	16 (406)		16 (406)
	D	4.2 (102)	4.7 (114)		6.2 (157)
	D1	5.4 (138)	5.9 (151)		8.1 (207)
<b>Type N – Normal Interrupting Rating<sup>Ⓢ</sup>, RMS Symmetrical Amperes (kA)</b>					
<b>CSA / UL</b>	240Vac	65	65	65	65
	480Vac	35	35	35	35
	600Vac	18	25	25	25
<b>IEC (I<sub>CU</sub>/I<sub>CS</sub>)</b>	240Vac	65/65	65/65	65/65	65/65
	415Vac	45/45	50/50	50/25	50/25
	690Vac	12/6	20/10	20/10	20/10
<b>DC Voltages – Interrupting Rating (kA)<sup>Ⓢ</sup></b>					
	250Vdc - 2p	30	22	22	22
	500Vdc - 3p <sup>Ⓢ</sup>	25	35	35	35
<b>Type H – High Interrupting Rating<sup>Ⓢ</sup>, RMS Symmetrical Amperes (kA)</b>					
<b>CSA / UL</b>	240Vac	100	100	100	100
	480Vac	65	65	65	65
	600Vac	18 <sup>Ⓢ</sup>	35	35	35
<b>IEC (I<sub>CU</sub>/I<sub>CS</sub>)</b>	240Vac	100/75	100/75	100/75	100/50
	415Vac	70/70	70/70	70/35	70/35
	690Vac	15/8	30/15	30/15	30/15
<b>DC Voltages – Interrupting Rating (kA)<sup>Ⓢ</sup></b>					
	250Vdc - 2p	30	25	25	25
	500Vdc - 3p <sup>Ⓢ</sup>	35	50	50	50
<b>Type H – Very High Interrupting Rating<sup>Ⓢ</sup>, RMS Symmetrical Amperes (kA)</b>					
<b>CSA / UL</b>	240Vac	200	200	200	200
	480Vac	100	100	100	100
	600Vac	18	50	65	65
<b>IEC (I<sub>CU</sub>/I<sub>CS</sub>)</b>	240Vac	200/150	200/150	200/150	200/150
	415Vac	100/75	100/75	100/75	100/75
	690Vac	15/8	35/17	35/17	35/17
<b>DC Voltages – Interrupting Rating (kA)<sup>Ⓢ</sup></b>					
	250Vdc - 2p	30	42	42	42
	500Vdc - 3p <sup>Ⓢ</sup>	35	65	65	65

5  
MOLDED CASE  
CIRCUIT BREAKERS

Ⓢ CSA / UL does not recognize AIC ratings for Molded Case Switches or Motor Circuit Protectors.  
Ⓢ 25kA available in a special version. Standard breakers rated 18kA. See page 5-213.

Ⓢ 500Vdc nominal, for ungrounded DC UPS systems.  
Ⓢ DC Interruption Ratings do not apply to electronic trip circuit breakers.  
Ⓢ Thermal-magnetic available non-interchangeable only.

Ⓢ 13.6" with extended shields.

# VL Circuit Breakers

## Trip Unit Overview

## Selection

The interchangeability of the VL circuit breaker trip units allow for easy conversion from any of 3 types of protection. They are thermal-magnetic, electronic, or electronic with a built-in LCD display. The thermal-magnetic trip unit features an adjustable magnetic trip setting. The electronic trip units are microprocessor based true RMS sensing devices and are available with a variety of adjustable trip settings, configurations, and information menus.

With precise control over the circuit breaker functions and access to system status, diagnostics, and information, these trip units allow for unsurpassed flexibility in circuit coordination.

An example of coordination is the out of the box Ground Fault function on the Model 555 trip units. The pick-up and time delay settings are set at the factory for each frame and do not overlap

with the settings on the other frames. Therefore, when VL breakers are used together in a system the GF protection is automatically coordinated.

The user also has the ability to program a custom coordination scheme with adjustable settings on both the 555 and 586 trip units.

Trip Unit Functions	VL Trip Units							
	Model 525	Model 555				Model 586		
	Thermal-magnetic	Electronic LI	Electronic LIG	Electronic LSI	Electronic LSIG	Electronic with LCD LSI	Electronic with LCD LSIG	Electronic with LCD LSI + G alarm only
Continuous Current Setting ( $I_r$ )	Fixed	◆	◆	◆	◆	◆	◆	◆
Long Time Delay ( $t_r$ )	□	◆	◆	◆	◆	◆	◆	◆
Instantaneous Function	●	●	●	●	●	(ON/OFF)	(ON/OFF)	(ON/OFF)
Instantaneous Pickup ( $I_i$ )	◆	◆	◆	◆	◆	◆	◆	◆
Short Time Function	□	□	□	●	●	(ON/OFF)	(ON/OFF)	(ON/OFF)
Short Time Pick-up ( $I_{sd}$ )	□	□	□	◆	◆	◆	◆	◆
Short Time Delay ( $t_{sd}$ )	□	□	□	◆	◆	◆	◆	◆
Ground Fault Pick-up ( $I_g$ )	□	□	◆	□	◆	□	◆	□
Ground Fault Delay ( $t_g$ )	□	□	◆	□	◆	□	◆	□
Ground Fault Alarm Pick-up	□	□	□	□	□	□	◆	◆
Ground Fault Alarm Delay	□	□	□	□	□	□	◆	◆
Alarm & Status Indicator	□	●	●	●	●	●	●	●
Built-in Display (LCD)	□	□	□	□	□	●	●	●
Pre-Trip Alarma	□	●	●	●	●	●	●	●
Last Trip Information <sup>①</sup>	□	●	●	●	●	●	●	●
Zone Selective <sup>①</sup>	□	●	●	●	●	●	●	●
Communications <sup>①</sup>	□	●	●	●	●	●	●	●

- ◆ Adjustable setting
- This feature is included
- Feature is not included.

① Requires a **COMPRO20** or **COMMODO21** module in a communication system.

### Continuous Amps Rating ( $I_r$ )

This setting is the continuous current that the breaker will carry without tripping. It can be set up to 100% of the trip unit's nominal rating ( $I_n$ ).

### Long Time Delay ( $t_r$ )

Sometimes referred to as the "overload" position, this function controls the breaker's "pause-in-tripping" time. It allows low level, temporary inrush currents such as those encountered when starting a motor to pass without tripping. The time delay begins when the current reaches  $6 \times I_r$ .

### Instantaneous Pick-up ( $I_i$ )

This function sets the breaker to trip instantaneously during high fault conditions. This function may be turned off on Model 586 trip units.

### Short Time Pick-Up ( $I_{sd}$ )

This function controls the level of fault current the breaker will carry for a short time without tripping, thus allowing downstream devices to clear short circuits ahead of up-stream protection. It may be defeated (turned-off) on Model 586 trip units.

### Short Time Delay ( $t_{sd}$ )

This controls the interval of time the breaker will remain closed against a fault (at the Short Time Pick-up current level) without tripping. The time delay may be set at fixed points or at short time intervals based on  $I^2t$  curves. This function is used with the Short Time Pick-up to achieve selectivity and better system coordination.

### Ground Fault Pick-Up ( $I_g$ )

This setting controls the level of ground fault current that will cause the breaker to trip. Model 555 Electronic Trip Units act on the residual current to sense ground current. The Model 586 Electronic Trip Unit is programmable and allows the user to select either the residual current method or direct detection (via a separate current transformer) to detect ground current.

### Ground Fault Time Delay ( $t_g$ )

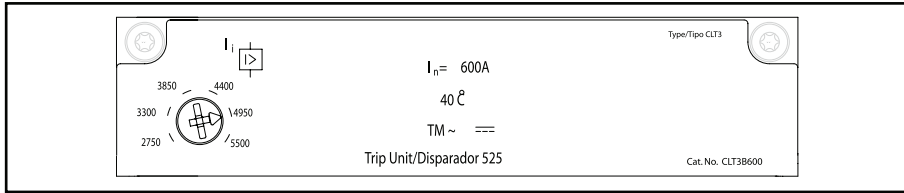
This controls the interval of time the breaker will remain closed after a ground fault is detected (at the Ground Fault Pick-up current level) without tripping.

# VL Circuit Breakers

## General Information

*Selection*

**Thermal-Magnetic** trip units, Model 525, combine the inverse time element design for low level overloads, and instantaneous magnetic action for short circuit protection. The standard unit has preset overload protection and an adjustable instantaneous trip setting, with 6 set points. Thermal-Magnetic trip units are available throughout the VL family, from 30 to 1600A.



## Electronic Trip Units

Electronic trip units are available through the VL family, from 60A (which can be set as low as 30A) up through 1600A. They are also available in four trip configurations (LI, LIG, LSI, LSIG) and features can include a built-in LCD display.

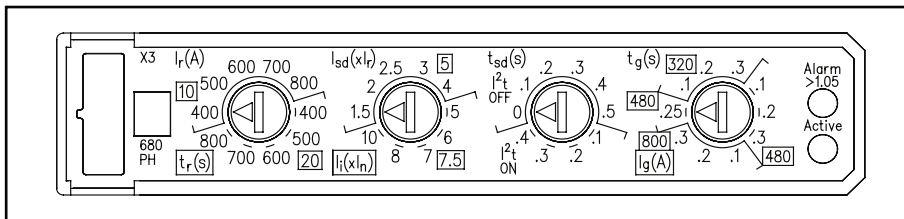
microprocessor is in operating and another indicates an overload condition. For ease-of-use and to insure proper coordination, the set points for the continuous current are shown on the face of these trip units in amps.

On the Model 555 Electronic Trip Unit a flashing LED confirms that the

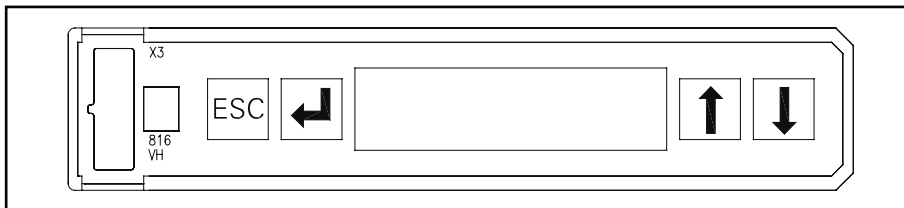
On the Model 586, the LCD version, the current in each phase is continuously shown on the display. Unlike many

displays, no secondary or auxiliary voltage is required as long as the breaker is energized and a minimal load current is present. These trip units can also indicate the "last trip" status (date, time, amps) when they're connected to a PC via one of our communications modules. Without being connected via a communication module, the last trip status can be viewed on Model 586 trip units (no time stamp).

## Typical Trip Unit Labeling and Adjustment Positions



Model 555 Electronic Trip Unit with LSIG trip functions



Model 586 Electronic Trip Unit has an LCD display

# VL Circuit Breakers

## DG 150A Frame, VL Series

Selection

### Ordering Information

#### Complete Assembled Breaker

A complete factory assembled DG breaker includes the frame, trip unit, and standard line and load connectors, all factory installed and shipped as a complete breaker. Assembled breakers are only available with standard connectors.

For any other configuration, order the frame, trip unit, and terminals as separate items.

For DC applications, use thermal magnetic trip unit only.

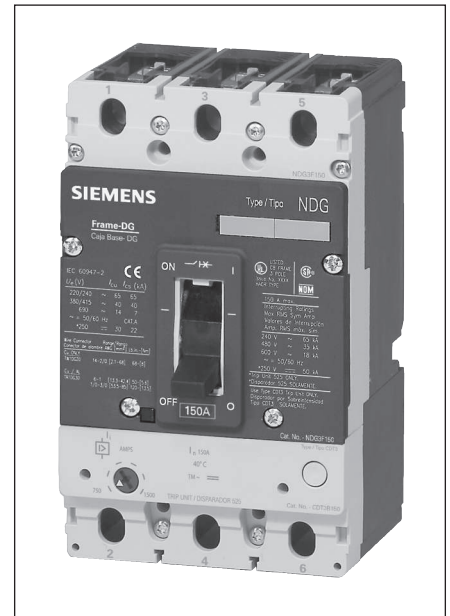
For reverse feed applications, select non-interchangeable trip breakers only. For non-interchangeable trip breakers, change the third digit of the catalogue number to "X" for standard breakers.

For special applications, refer to page 5-216.

Mounting hardware is included with each frame or complete breaker.

For 100% rated breakers with a non-interchangeable trip unit, change the 3rd character of the catalogue number to "Y". Available in electronic and electronic with LCD only.

HACR rated.



### Interrupting Ratings

Breaker Type	RMS Symmetrical Amperes (KA)										
	UL 489					IEC 60947-2					
	Volts AC (50/60 Hz)			Volts DC		Volts AC (50/60 Hz)					
	240	480	600	250	500	220/240		380/415		690	
					ICU	ICS	ICU	ICS	ICU	ICS	
NDGA	65	35	18	30	18	65	65	40	40	12	6
HDGA	100	65	20	30	18	100	75	70	70	12	6
LDGA	200	100	25	30	18	200	150	100	75	12	6

### Dimensions - Inches (mm)

Number of Poles	W	L	D	To Handle D1
2, 3	4.1 (105)	6.9 (175)	3.4 (81)	4.2 (107)

### Connectors for 75°C Wire

Construction	Ampere Rating	Wire Range	No. of cables per connector	Catalogue Number
Steel	30-150	#8-1/0 Cu	1	3TW1DG20 <sup>②</sup>
Aluminum	30-150	#6-3/0 Al/Cu	1	3TA1DG30 <sup>②③</sup>
Copper	30-150	#6-3/0 Cu	1	3TC1DG30 <sup>②④</sup>
<b>Distribution Lugs</b>				
	30-150	#14-#2 Cu (3pcs. Max)	3	3TA3DG02 <sup>②</sup>
	30-150	#14-#4 Cu	6	3TA6DG04 <sup>②</sup>
<b>Compression Lugs</b>				
	30-150	#14-2/0 kcmil Al/Cu	-	2CLD20 <sup>②</sup>
	30-150	#14-2/0 kcmil Al/Cu	-	3CLD20 <sup>②</sup>

- ① Standard connector supplied with complete breakers.
- ② Kit consists of 3 terminal connectors.
- ③ 2 Lugs for 2-pole breakers.
- ④ Required for 100% rated DG breakers. Requires 90°C cable sized at 75°C ampacity

### DG Thermal-Magnetic, Instantaneous Trip Adjustment Range

Trip Unit Continuous Amp Rating (I <sub>n</sub> )	Instantaneous Overcurrent Setting (I <sub>s</sub> )	
	Min.	Max.
50	450	700
60	450	700
70	450	700
80	450	800
90	500	1000
100	500	1000
110	550	1100
125	625	1250
150	800	1600

Note: Each breaker has 6 trip settings in this range.

### Approx. Shipping Weight, lbs. (kg)

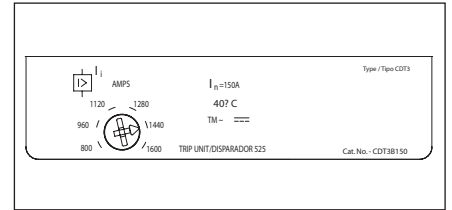
Poles	Frame	Trip Unit		Complete Breaker
		Thermal-Mag.	Electronic	
2, 3	3.7 (1.7)	2.2 (1.0)	2.6 (1.2)	5.9 (2.7)

External Accessories page 5-195 - 5-209

# VL Circuit Breakers

## DG 150A Thermal-Magnetic Trip Unit

*Selection*



Model 525 Trip Unit

### DG 150A Frame 2-Pole with Thermal-Magnetic Trip Unit

Continuous Ampere Rating	N-Interrupting Class	H-Interrupting Class	L-Interrupting Class	Catalogue Number
	Catalogue Number	Catalogue Number	Catalogue Number	
	FRAME ONLY			
	NDG2F150	HDG2F150	LDG2F150	
COMPLETE FACTORY ASSEMBLED CIRCUIT BREAKER				TRIP UNIT ONLY
50	NDG2B050L	HDG2B050L	LDG2B050L	CDT2B050
60	NDG2B060L	HDG2B060L	LDG2B060L	CDT2B060
70	NDG2B070L	HDG2B070L	LDG2B070L	CDT2B070
80	NDG2B080L	HDG2B080L	LDG2B080L	CDT2B080
90	NDG2B090L	HDG2B090L	LDG2B090L	CDT2B090
100	NDG2B100L	HDG2B100L	LDG2B100L	CDT2B100
110	NDG2B110L	HDG2B110L	LDG2B110L	CDT2B110
125	NDG2B125L	HDG2B125L	LDG2B125L	CDT2B125
150	NDG2B150L	HDG2B150L	LDG2B150L	CDT2B150

### DG 150A Frame 3-Pole with Thermal-Magnetic Trip Unit

Continuous Ampere Rating	N-Interrupting Class	H-Interrupting Class	L-Interrupting Class	Catalogue Number
	Catalogue Number	Catalogue Number	Catalogue Number	
	FRAME ONLY			
	NDG3F150	HDG3F150	LDG3F150	
COMPLETE FACTORY ASSEMBLED CIRCUIT BREAKER				TRIP UNIT ONLY
50	NDG3B050L	HDG3B050L	LDG3B050L	CDT3B050
60	NDG3B060L	HDG3B060L	LDG3B060L	CDT3B060
70	NDG3B070L	HDG3B070L	LDG3B070L	CDT3B070
80	NDG3B080L	HDG3B080L	LDG3B080L	CDT3B080
90	NDG3B090L	HDG3B090L	LDG3B090L	CDT3B090
100	NDG3B100L	HDG3B100L	LDG3B100L	CDT3B100
110	NDG3B110L	HDG3B110L	LDG3B110L	CDT3B110
125	NDG3B125L	HDG3B125L	LDG3B125L	CDT3B125
150	NDG3B150L	HDG3B150L	LDG3B150L	CDT3B150

5

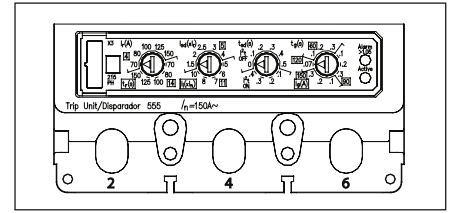
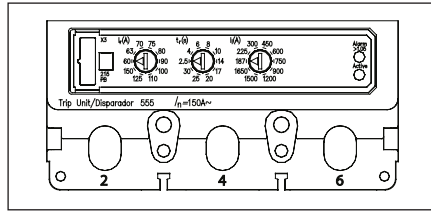
MOLDED CASE  
CIRCUIT BREAKERS



# VL Circuit Breakers

## DG 150A Electronic 3-Knob & LCD Trip Units

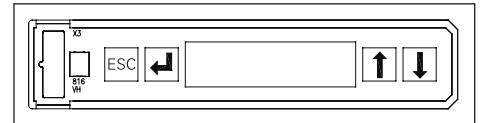
Selection



Model 555 Trip Units

### DG 150A Frame 3-Pole Electronic Trip Unit<sup>①</sup>

Continuous Ampere Rating	N-Interrupting Class	H-Interrupting Class	L-Interrupting Class	Catalogue Number
	Catalogue Number	Catalogue Number	Catalogue Number	
	FRAME ONLY			
	NDG3F150	HDG3F150	LDG3F150	
COMPLETE FACTORY ASSEMBLED CIRCUIT BREAKER				TRIP UNIT ONLY
<b>ELECTRONIC LI TRIP</b>				
60	NDG3R060L	HDG3R060L	LDG3R060L	CDT3R060
100	NDG3R100L	HDG3R100L	LDG3R100L	CDT3R100
150	NDG3R150L	HDG3R150L	LDG3R150L	CDT3R150
<b>ELECTRONIC LSI TRIP</b>				
60	NDG3T060L	HDG3T060L	LDG3T060L	CDT3T060
100	NDG3T100L	HDG3T100L	LDG3T100L	CDT3T100
150	NDG3T150L	HDG3T150L	LDG3T150L	CDT3T150
<b>ELECTRONIC LSIG TRIP</b>				
60	NDG3V060L	HDG3V060L	LDG3V060L	CDT3V060
100	NDG3V100L	HDG3V100L	LDG3V100L	CDT3V100
150	NDG3V150L	HDG3V150L	LDG3V150L	CDT3V150
<b>ELECTRONIC LIG TRIP</b>				
60	NDG3W060L	HDG3W060L	LDG3W060L	CDT3W060
100	NDG3W100L	HDG3W100L	LDG3W100L	CDT3W100
150	NDG3W150L	HDG3W150L	LDG3W150L	CDT3W150



Model 586 Trip Unit

### DG 150A Frame 3-Pole Electronic LCD Trip Unit<sup>①</sup>

Continuous Ampere Rating	N-Interrupting Class	H-Interrupting Class	L-Interrupting Class	Catalogue Number
	Catalogue Number	Catalogue Number	Catalogue Number	
	FRAME ONLY			
	NDG3F150	HDG3F150	LDG3F150	
COMPLETE FACTORY ASSEMBLED CIRCUIT BREAKER				TRIP UNIT ONLY
<b>LCD ELECTRONIC LSI TRIP</b>				
60	NDG3A060L	HDG3A060L	LDG3A060L	CDT3A060
100	NDG3A100L	HDG3A100L	LDG3A100L	CDT3A100
150	NDG3A150L	HDG3A150L	LDG3A150L	CDT3A150
<b>LCD ELECTRONIC LSIG TRIP</b>				
100	NDG3G060L	HDG3G060L	LDG3G060L	CDT3G060
150	NDG3G100L	HDG3G100L	LDG3G100L	CDT3G100
250	NDG3G150L	HDG3G150L	LDG3G150L	CDT3G150
<b>LCD ELECTRONIC LSI TRIP + GF ALARM ONLY</b>				
100	NDG3K060L	HDG3K060L	LDG3K060L	CDT3K060
150	NDG3K100L	HDG3K100L	LDG3K100L	CDT3K100
250	NDG3K150L	HDG3K150L	LDG3K150L	CDT3K150

<sup>①</sup> Due to the location of the magnetic tripping solenoid, the left accessory pocket is not available for accessories.

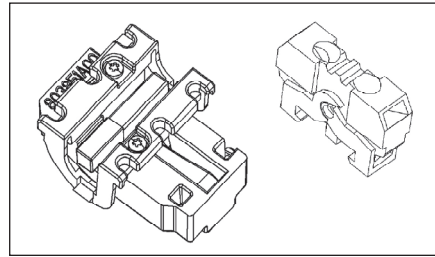
# VL Circuit Breakers

## Internal Accessories for DG 150A and FG 250A Frames

Selection

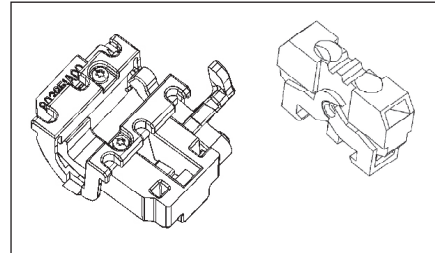
### Auxiliary Switch and Alarm Switch Combination Kits

Description	Mounting Pocket <sup>①</sup>	Catalogue Number
1 Alarm Switch 1A/B <sup>②</sup> Bases AMBL2 & AMBL3	Left, Right <sup>②</sup>	ASKL1
2 Aux. Switches 1A + 1B Bases AMBL1	Left, Right	ASKL2
2 Aux. + 1 Alarm Switches 1A + 1B, 1A/B <sup>②</sup> Bases AMBL2 & AMBL3	Left, Right <sup>②</sup>	ASKL3



### Auxiliary/Alarm Switch Mounting Base Only

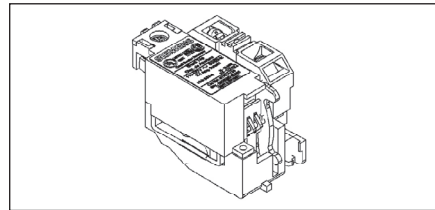
Description	Mounting Pocket	Catalogue Number
Up to 3 Auxiliary Switches	Left, Right	AMBL1
2 Aux. + 1 Alarm Switch	Left Pocket Only	AMBL2
2 Aux. + 1 Alarm Switch	Right Pocket Only	AMBL3



### Auxiliary/Alarm Switch Only

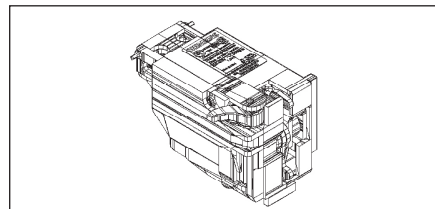
Common to DG - PG Frames

Description	Catalogue Number
1 Normally Open Contact (1A)	ASWPA
1 Normally Closed Contact (1B)	ASWPB



### Shunt Trips

Description	Mounting Pocket	Catalogue Number
24 VDC	Right Pocket Only	STRLB24DC
48-60 VDC		STRLC60DC
110-127 VDC		STRLD125DC
220-250 VDC		STRLE250DC
48-60 VAC		STRLM60
110-127 VAC		STRLN120
208-277 VAC		STRLS277
380-600 VAC		STRLV600



### Undervoltage Release

Description	Mounting Pocket	Catalogue Number
12 VDC	Right Pocket Only	UVRLA12DC
24 VDC		UVRLB24DC
48 VDC		UVRLC48DC
60 VDC		UVRLG60DC
110-127 VDC		UVRLD125DC
220-250 VDC		UVRLE250DC
24 VAC		UVRLA24
110-127 VAC		UVRLN120
220-240 VAC		UVRLR240
208 VAC		UVRLP208
277 VAC		UVRLS277
380-415 VAC		UVRLT415
440-480 VAC		UVRLU480

'A' refers to a normally open contact (open when the breaker contacts are open).

'B' refers to a normally closed contact (closed when the breaker contacts are open).

① Refer to the "Accessory Locations" chart for guidelines and limitations about which pockets may be used for accessory combinations.

② These kits include two bases, one for mounting switches in the left pocket and another for mounting in the right.

③ Includes 1A and 1B contact for alarm purposes, only one of which may be installed at any time.

External Accessories page 5-195 - 5-209

# VL Circuit Breakers

## FG 250A Frame, VL Series

## Selection/Dimensions

### Ordering Information

#### Complete Assembled Breaker

A complete factory assembled FG breaker includes the frame, trip unit, and standard line and load connectors, all factory installed and shipped as a complete breaker. Assembled breakers are available only with standard connectors.

For any other configuration, order the frame, trip unit, and terminals as separate items.

For DC applications, use thermal magnetic trip unit only.

For reverse feed applications, select non-interchangeable trip breakers only. For non-interchangeable trip breakers, change the third digit of the catalogue number to "X" for standard breakers.

For special applications, refer to page 5-216.

Mounting hardware is included with each frame or complete breaker.  
HACR rated.



### Dimensions - Inches (mm)

Number of Poles	W	L	D	To Handle D1
2, 3	4.1 (105)	6.9 (175)	3.4 (81)	4.2 (107)

### Interrupting Ratings

Interrupting Class	Breaker Type	RMS Symmetrical Amperes (KA)																
		CSA C22.2 NO.5 / UL 489					IEC 60947-2											
		Volts AC (50/60 Hz)					Volts DC											
		240		480		600	250		500		220/240		380/415		690			
N	NFGA	65	35	18	30	18	65	65	40	40	12	6						
H	HFGA	100	65	20	30	25	100	75	70	70	12	6						
L	LFGA	200	100	25	30	30	200	150	100	75	12	6						

### Shipping Weight, lbs. (kg)

Poles	Frame	Trip Unit		Complete Breaker
		Thermal-Mag.	Electronic	
2, 3	4.0 (1.8)	2.2 (1.0)	2.6 (1.2)	6.2 (2.8)

### Connectors for 75°C Wire

Construction	Ampere Rating	Wire Range	No. of cables per phase	Catalogue Number
Steel	50-250	#4-350 kcmil Cu	1	3TW1FG350 <sup>ⓐ</sup>
Aluminum	50-250	#4-350 kcmil Al/Cu	1	3TAW1FG350 <sup>ⓐⓑ</sup>
Copper	50-250	#4-350 kcmil Cu	1	3TCW1FG350 <sup>ⓐ</sup>
Distribution Lugs				
	50-250	#14-2/0 Cu	3	3TA3FG20 <sup>ⓐ</sup>
	50-250	#14-#4 Cu	6	3TA6FG04 <sup>ⓐ</sup>
Compression Lugs				
	50-250	#4-350 Al/Cu	1	3CLF350 <sup>ⓐ</sup>

<sup>ⓐ</sup> Standard connector supplied with complete breakers.

<sup>ⓑ</sup> Kit consists of 3 terminal connectors.

### FG Thermal-Magnetic, Instantaneous Trip Adjustment Range

Trip Unit Continuous Amp Rating (I <sub>n</sub> )	Instantaneous Overcurrent Setting (I <sub>i</sub> )	
	Min.	Max.
100	625	1250
110	800	1600
125	800	1600
150	800	1600
175	1000	2000
200	1000	2000
225	1250	2500
250	1250	2500

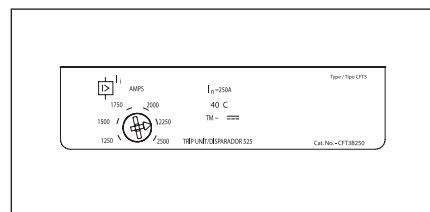
**Note:** Each breaker has 6 trip settings in this range.

External Accessories page 5-195 - 5-209

# VL Circuit Breakers

## FG 250A Thermal-Magnetic Trip Unit

*Selection*



Model 525 Trip Unit

### FG 250A Frame 2-Pole with Thermal-Magnetic Trip Unit

Continuous Ampere Rating	N-Interrupting Class	H-Interrupting Class	L-Interrupting Class	Catalogue Number
	Catalogue Number	Catalogue Number	Catalogue Number	
	FRAME ONLY			
	NFG2F250	HFG2F250	LFG2F250	
COMPLETE FACTORY ASSEMBLED CIRCUIT BREAKER				TRIP UNIT ONLY
100	NFG2B100L	HFG2B100L	LFG2B100L	CFT2B100
110	NFG2B110L	HFG2B110L	LFG2B110L	CFT2B110
125	NFG2B125L	HFG2B125L	LFG2B125L	CFT2B125
150	NFG2B150L	HFG2B150L	LFG2B150L	CFT2B150
175	NFG2B175L	HFG2B175L	LFG2B175L	CFT2B175
200	NFG2B200L	HFG2B200L	LFG2B200L	CFT2B200
225	NFG2B225L	HFG2B225L	LFG2B225L	CFT2B225
250	NFG2B250L	HFG2B250L	LFG2B250L	CFT2B250

### FG 250A Frame 3-Pole with Thermal-Magnetic Trip Unit

Continuous Ampere Rating	N-Interrupting Class	H-Interrupting Class	L-Interrupting Class	Catalogue Number
	Catalogue Number	Catalogue Number	Catalogue Number	
	FRAME ONLY			
	NFG3F250	HFG3F250	LFG3F250	
COMPLETE FACTORY ASSEMBLED CIRCUIT BREAKER				TRIP UNIT ONLY
100	NFG3B100L	HFG3B100L	LFG3B100L	CFT3B100
110	NFG3B110L	HFG3B110L	LFG3B110L	CFT3B110
125	NFG3B125L	HFG3B125L	LFG3B125L	CFT3B125
150	NFG3B150L	HFG3B150L	LFG3B150L	CFT3B150
175	NFG3B175L	HFG3B175L	LFG3B175L	CFT3B175
200	NFG3B200L	HFG3B200L	LFG3B200L	CFT3B200
225	NFG3B225L	HFG3B225L	LFG3B225L	CFT3B225
250	NFG3B250L	HFG3B250L	LFG3B250L	CFT3B250

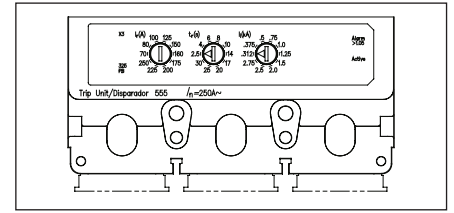
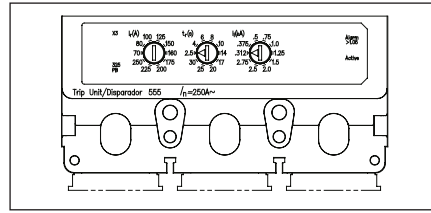
5

MOLDED CASE  
CIRCUIT BREAKERS

# VL Circuit Breakers

## FG 250A Electronic 3-Knob & LCD Trip Units

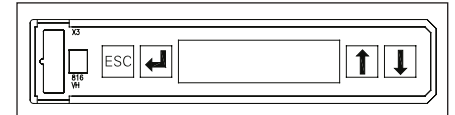
Selection



Model 555 Trip Units

### FG 250A Frame 3-Pole Electronic Trip Unit<sup>①</sup>

Continuous Ampere Rating	N-Interrupting Class	H-Interrupting Class	L-Interrupting Class	Catalogue Number
	Catalogue Number	Catalogue Number	Catalogue Number	
	FRAME ONLY			
	NFG3F250	HFG3F250	LFG3F250	
COMPLETE FACTORY ASSEMBLED CIRCUIT BREAKER				TRIP UNIT ONLY
ELECTRONIC LI TRIP				
100	NFG3R100L	HFG3R100L	LFG3R100L	CFT3R100
150	NFG3R150L	HFG3R150L	LFG3R150L	CFT3R150
250	NFG3R250L	HFG3R250L	LFG3R250L	CFT3R250
ELECTRONIC LSI TRIP				
100	NFG3T100L	HFG3T100L	LFG3T100L	CFT3T100
150	NFG3T150L	HFG3T150L	LFG3T150L	CFT3T150
250	NFG3T250L	HFG3T250L	LFG3T250L	CFT3T250
ELECTRONIC LSIG TRIP				
100	NFG3V100L	HFG3V100L	LFG3V100L	CFT3V100
150	NFG3V150L	HFG3V150L	LFG3V150L	CFT3V150
250	NFG3V250L	HFG3V250L	LFG3V250L	CFT3V250
ELECTRONIC LIG TRIP				
100	NFG3W100L	HFG3W100L	LFG3W100L	CFT3W100
150	NFG3W150L	HFG3W150L	LFG3W150L	CFT3W150
250	NFG3W250L	HFG3W250L	LFG3W250L	CFT3W250



Model 586 Trip Unit

### FG 250A Frame 3-Pole Electronic LCD Trip Unit<sup>①</sup>

Continuous Ampere Rating	N-Interrupting Class	H-Interrupting Class	L-Interrupting Class	Catalogue Number
	Catalogue Number	Catalogue Number	Catalogue Number	
	FRAME ONLY			
	NFG3F250	HFG3F250	LFG3F250	
COMPLETE FACTORY ASSEMBLED CIRCUIT BREAKER				TRIP UNIT ONLY
LCD ELECTRONIC LSI TRIP				
100	NFG3A100L	HFG3A100L	LFG3A100L	CFT3A100
150	NFG3A150L	HFG3A150L	LFG3A150L	CFT3A150
250	NFG3A250L	HFG3A250L	LFG3A250L	CFT3A250
LCD ELECTRONIC LSIG TRIP				
100	NFG3G100L	HFG3G100L	LFG3G100L	CFT3G100
150	NFG3G150L	HFG3G150L	LFG3G150L	CFT3G150
250	NFG3G250L	HFG3G250L	LFG3G250L	CFT3G250
LCD ELECTRONIC LSI TRIP + GF ALARM ONLY				
100	NFG3K100L	HFG3K100L	LFG3K100L	CFT3K100
150	NFG3K150L	HFG3K150L	LFG3K150L	CFT3K150
250	NFG3K250L	HFG3K250L	LFG3K250L	CFT3K250

<sup>①</sup> Due to the location of the magnetic tripping solenoid, the left accessory pocket is not available for accessories.

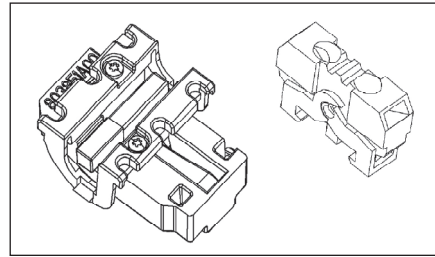
# VL Circuit Breakers

## Internal Accessories for DG 150A and FG 250A Frames

Selection

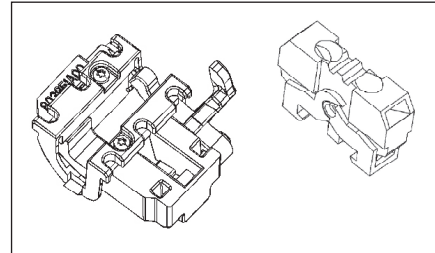
### Auxiliary Switch and Alarm Switch Combination Kits

Description	Mounting Pocket <sup>①</sup>	Catalogue Number
1 Alarm Switch 1A/B <sup>③</sup> Bases AMBL2 & AMBL3	Left, Right <sup>②</sup>	ASKL1
2 Aux. Switches 1A + 1B Bases AMBL1	Left, Right	ASKL2
2 Aux. + 1 Alarm Switches 1A + 1B, 1A/B <sup>③</sup> Bases AMBL2 & AMBL3	Left, Right <sup>②</sup>	ASKL3



### Auxiliary/Alarm Switch Mounting Base Only

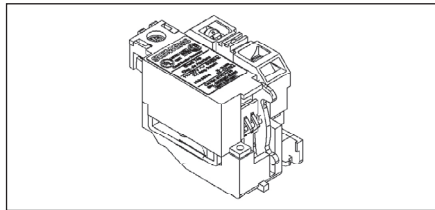
Description	Mounting Pocket	Catalogue Number
Up to 3 Auxiliary Switches	Left, Right	AMBL1
2 Aux. + 1 Alarm Switch	Left Pocket Only	AMBL2
2 Aux. + 1 Alarm Switch	Right Pocket Only	AMBL3



### Auxiliary/Alarm Switch Only

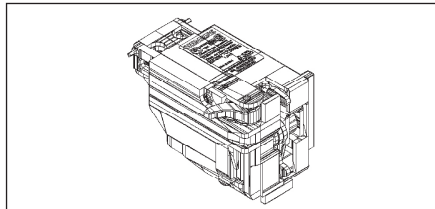
Common to DG - PG Frames

Description	Catalogue Number
1 Normally Open Contact (1A)	ASWPA
1 Normally Closed Contact (1B)	ASWPB



### Shunt Trips

Description	Mounting Pocket	Catalogue Number
24 VDC	Right Pocket Only	STRLB24DC
48-60 VDC		STRLC60DC
110-127 VDC		STRLD125DC
220-250 VDC		STRLE250DC
48-60 VAC		STRLM60
110-127 VAC		STRLN120
208-277 VAC		STRLS277
380-600 VAC		STRLV600



### Undervoltage Release

Description	Mounting Pocket	Catalogue Number
12 VDC	Right Pocket Only	UVRLA12DC
24 VDC		UVRLB24DC
48 VDC		UVRLC48DC
60 VDC		UVRLG60DC
110-127 VDC		UVRLD125DC
220-250 VDC		UVRLE250DC
24 VAC		UVRLI24
110-127 VAC		UVRLN120
220-240 VAC		UVRLR240
208 VAC		UVRLP208
277 VAC		UVRLS277
380-415 VAC		UVRLT415
440-480 VAC		UVRLU480

① Refer to the "Accessory Locations" chart for guidelines and limitations about which pockets may be used for accessory combinations.

② These kits include two bases, one for mounting switches in the left pocket and another for mounting in the right.

③ Includes 1A and 1B contact for alarm purposes, only one of which may be installed at any time.

'A' refers to a normally open contact (open when the breaker contacts are open).

'B' refers to a normally closed contact (closed when the breaker contacts are open).

External Accessories page 5-195 - 5-209



# VL Circuit Breakers

## JG 400A Frame, VL Series

## Selection/Dimensions

### Ordering Information

Complete Assembled Breaker

A complete factory assembled JG breaker includes the frame, trip unit, and standard line and load connectors, all factory installed and shipped as a complete breaker. Assembled breakers are available only with standard connectors.

For any other configuration, order the frame, trip unit, and terminals as separate items.

For DC applications, use thermal magnetic trip unit only.

For reverse feed applications, select non-interchangeable trip breakers only.

For non-interchangeable trip breakers, change the third digit of the catalogue number to "X" for standard breakers.

For 100% rated breakers with a non-interchangeable trip unit, change the 3<sup>rd</sup> character of the catalogue number to "Y".

For special applications, refer to page 5-216.

Mounting hardware is included with each frame or complete breaker.

HACR rated.



### Dimensions - Inches (mm)

Number of Poles	W	L	D	To Handle D1
2, 3	5.5 (139)	11 (279)	4.2 (102)	5.4 (138)

### Shipping Weight, lbs. (kg)

Poles	Frame	Trip Unit		Complete Breaker
		Thermal-Mag.	Electronic	
2, 3	9.3 (7.9)	4.0 (1.8)	4.0 (1.8)	12.6 (5.7)

### Interrupting Ratings

Interrupting Class	Breaker Type	RMS Symmetrical Amperes (KA)										
		UL 489 AIR (File E10848)					IEC 60947-2					
		Volts AC (50/60 Hz)			Volts DC		Volts AC (50/60 Hz)					
		240	480	600	250	500	220/240		380/415		690	
					I <sub>co</sub>	I <sub>cs</sub>	I <sub>co</sub>	I <sub>cs</sub>	I <sub>co</sub>	I <sub>cs</sub>		
N	NJGA	65	35	25	30	25	65	65	45	45	12	6
H	HJGA	100	65	25	30	35	100	75	70	70	15	8
L	LJGA	200	100	25	30	35	200	150	100	75	15	8

### Connectors for 75°C Wire

Construction	Ampere Rating	Wire Range	No. of cables per phase	Catalogue Number
Steel	70-400	1/0-600 kcmil Cu	1	3TW1JG600 <sup>②</sup>
Aluminum	70-400	3/0-250 kcmil Al/Cu	2	3TA2JG250 <sup>①②</sup>
Aluminum	70-400	250-750 kcmil Al	1	3TA1JG750 <sup>②</sup>
Aluminum	70-400	3/0-600 kcmil Cu	1	3TA1JG750 <sup>②</sup>
Copper	70-400	3/0-750 kcmil Cu	1	TC1JG750 <sup>③</sup>
Copper	70-400	3/0-250 kcmil Cu	2	TC2JG250 <sup>③</sup>
Distribution Lugs				
	70-400	#14-4 Cu	12	3TA12JG04 <sup>②</sup>
	70-400	#14-2/0 Cu	6	3TA6JG20 <sup>②</sup>
Compression Lugs				
	70-400	#6-350 kcmil	—	3CLJ350 <sup>②</sup>
	70-400	250-600 kcmil	—	3CLJ600 <sup>②</sup>
	70-400	250-750 kcmil	—	3CLJ750 <sup>②</sup>

① Standard construction supplied for each breaker.

② Kit consists of 3 terminal connectors.

③ Required for 100% rated JG breakers. Requires 90°C cable sized at 75°C ampacity.

### JG Thermal-Magnetic, Instantaneous Trip Adjustment Range

Trip Unit Continuous Amp Rating (I <sub>n</sub> )	Instantaneous Overcurrent Setting (I <sub>i</sub> )	
	Min.	Max.
250	1250	2500
300	1500	3000
350	1750	3500
400	2000	4000

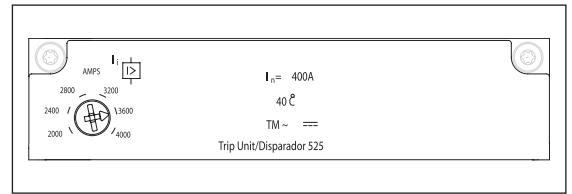
Note: Each breaker has 6 trip settings in this range.

External Accessories page 5-195 - 5-209

# VL Circuit Breakers

## JG 400A Thermal-Magnetic Trip Unit

Selection



Model 525 Trip Unit

### JG 400A Frame 2-Pole with Thermal-Magnetic Trip Unit

Continuous Ampere Rating	N-Interrupting Class	H-Interrupting Class	L-Interrupting Class	Catalogue Number
	Catalogue Number	Catalogue Number	Catalogue Number	
	FRAME ONLY			
	NJG2F400	HJG2F400	LJG2F400	
COMPLETE FACTORY ASSEMBLED CIRCUIT BREAKER				TRIP UNIT ONLY
250	NJG2B250L	HJG2B250L	LJG2B250L	CJT2B250
300	NJG2B300L	HJG2B300L	LJG2B300L	CJT2B300
350	NJG2B350L	HJG2B350L	LJG2B350L	CJT2B350
400	NJG2B400L	HJG2B400L	LJG2B400L	CJT2B400

### JG 400A Frame 3-Pole with Thermal-Magnetic Trip Unit

Continuous Ampere Rating	N-Interrupting Class	H-Interrupting Class	L-Interrupting Class	Catalogue Number
	Catalogue Number	Catalogue Number	Catalogue Number	
	FRAME ONLY			
	NJG3F400	HJG3F400	LJG3F400	
COMPLETE FACTORY ASSEMBLED CIRCUIT BREAKER				TRIP UNIT ONLY
250	NJG3B250L	HJG3B250L	LJG3B250L	CJT3B250
300	NJG3B300L	HJG3B300L	LJG3B300L	CJT3B300
350	NJG3B350L	HJG3B350L	LJG3B350L	CJT3B350
400	NJG3B400L	HJG3B400L	LJG3B400L	CJT3B400

5  
MOLDED CASE  
CIRCUIT BREAKERS

### JJ 400A Frame 240V max., 2-pole with Thermal-Magnetic Non-Interchangeable Trip Unit<sup>①</sup>

Continuous Ampere Rating	N-Interrupting Class
	Catalogue Number
	COMPLETE BREAKER
250	NJJ2B250
300	NJJ2B300
350	NJJ2B350
400	NJJ2B400

### JJ 400A Frame 240V max., 3-pole with Thermal-Magnetic Non-Interchangeable Trip Unit<sup>①</sup>

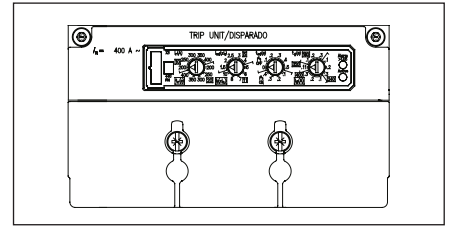
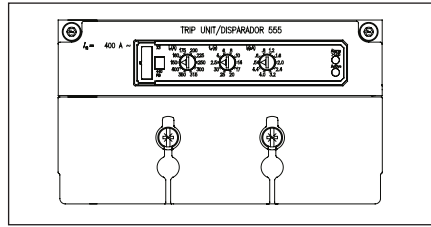
Continuous Ampere Rating	N-Interrupting Class
	Catalogue Number
	COMPLETE BREAKER
250	NJJ3B250
300	NJJ3B300
350	NJJ3B350
400	NJJ3B400

<sup>①</sup> Terminal connectors must be ordered separately.  
Breaker Type NJJA.

# VL Circuit Breakers

## JG 400A Electronic 3-Knob & LCD Trip Units

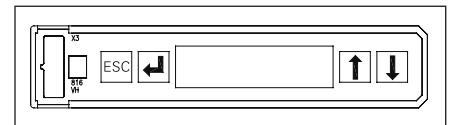
Selection



Model 555 Trip Units

### JG 400A Frame 3-Pole Electronic Trip Unit

Continuous Ampere Rating	N-Interrupting Class	H-Interrupting Class	L-Interrupting Class	Catalogue Number
	Catalogue Number	Catalogue Number	Catalogue Number	
	FRAME ONLY			
	COMPLETE FACTORY ASSEMBLED CIRCUIT BREAKER			
	NJG3F400	HJG3F400	LJG3F400	TRIP UNIT ONLY
<b>ELECTRONIC LI TRIP</b>				
250	NJG3R250L	HJG3R250L	LJG3R250L	CJT3R250
400	NJG3R400L	HJG3R400L	LJG3R400L	CJT3R400
<b>ELECTRONIC LSI TRIP</b>				
250	NJG3T250L	HJG3T250L	LJG3T250L	CJT3T250
400	NJG3T400L	HJG3T400L	LJG3T400L	CJT3T400
<b>ELECTRONIC LSIG TRIP</b>				
250	NJG3V250L	HJG3V250L	LJG3V250L	CJT3V250
400	NJG3V400L	HJG3V400L	LJG3V400L	CJT3V400
<b>ELECTRONIC LIG TRIP</b>				
250	NJG3W250L	HJG3W250L	LJG3W250L	CJT3W250
400	NJG3W400L	HJG3W400L	LJG3W400L	CJT3W400



Model 586 Trip Unit

### JG 400A Frame 3-Pole Electronic LCD Trip Unit

Continuous Ampere Rating	N-Interrupting Class	H-Interrupting Class	L-Interrupting Class	Catalogue Number
	Catalogue Number	Catalogue Number	Catalogue Number	
	FRAME ONLY			
	COMPLETE FACTORY ASSEMBLED CIRCUIT BREAKER			
	NJG3F400	HJG3F400	LJG3F400	TRIP UNIT ONLY
<b>LCD ELECTRONIC LSI TRIP</b>				
250	NJG3A250L	HJG3A250L	LJG3A250L	CJT3A250
400	NJG3A400L	HJG3A400L	LJG3A400L	CJT3A400
<b>LCD ELECTRONIC LSIG TRIP</b>				
250	NJG3G250L	HJG3G250L	LJG3G250L	CJT3G250
400	NJG3G400L	HJG3G400L	LJG3G400L	CJT3G400
<b>LCD ELECTRONIC LSI TRIP + GF ALARM ONLY</b>				
250	NJG3K250L	HJG3K250L	LJG3K250L	CJT3K250
400	NJG3K400L	HJG3K400L	LJG3K400L	CJT3K400

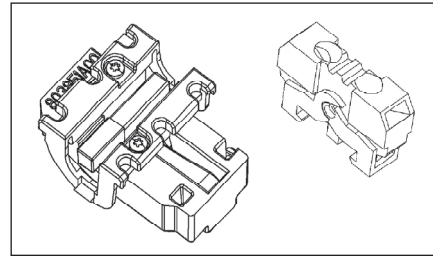
# VL Circuit Breakers

## Internal Accessories for JG 400A and LG 600A Frames

Selection

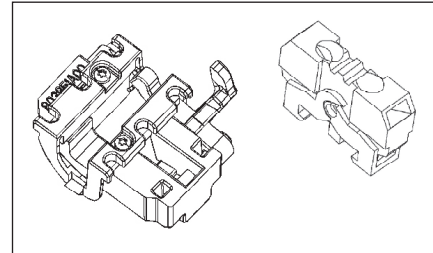
### Auxiliary Switch and Alarm Switch Combination Kits

Description	Mounting Pocket <sup>①</sup>	Catalogue Number
1 Alarm Switch 1A/B <sup>②</sup> Bases AMBL2 & AMBL3	Left, Right <sup>②</sup>	ASKL1
2 Aux. Switches 1A + 1B Bases AMBL1	Left, Right	ASKL2
2 Aux. + 1 Alarm Switches 1A + 1B, 1A/B <sup>②</sup> Bases AMBL2 & AMBL3	Left, Right <sup>②</sup>	ASKL3



### Auxiliary/Alarm Switch Mounting Base Only

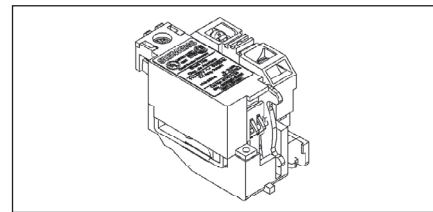
Description	Mounting Pocket	Catalogue Number
Up to 3 Auxiliary Switches	Left, Right	AMBL1
2 Aux. + 1 Alarm Switch	Left Pocket Only	AMBL2
2 Aux. + 1 Alarm Switch	Right Pocket Only	AMBL3



### Auxiliary/Alarm Switch Only

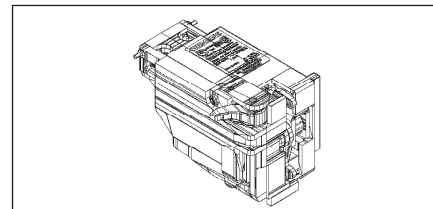
Common to DG - PG Frames

Description	Catalogue Number
1 Normally Open Contact (1A)	ASWPA
1 Normally Closed Contact (1B)	ASWPB



### Shunt Trips

Description	Mounting Pocket	Catalogue Number
24 VDC	Right Pocket Only	STRLB24DC
48-60 VDC		STRLC60DC
110-127 VDC		STRLD125DC
220-250 VDC		STRLE250DC
48-60 VAC		STRLM60
110-127 VAC		STRLN120
208-277 VAC		STRLS277
380-600 VAC		STRLV600



### Undervoltage Release

Description	Mounting Pocket	Catalogue Number
12 VDC	Right Pocket Only	UVRLA12DC
24 VDC		UVRLB24DC
48 VDC		UVRLC48DC
60 VDC		UVRLG60DC
110-127 VDC		UVRLD125DC
220-250 VDC		UVRLE250DC
24 VAC		UVRLI24
110-127 VAC		UVRLN120
220-240 VAC		UVRLR240
208 VAC		UVRLP208
277 VAC		UVRLS277
380-415 VAC		UVRLT415
440-480 VAC		UVRLU480

① Refer to the "Accessory Locations" chart for guidelines and limitations about which pockets may be used for accessory combinations.

② Includes 1A and 1B contact for alarm purposes, only one of which may be installed at any time.

'A' refers to a normally open contact (open when the breaker contacts are open).

'B' refers to a normally closed contact (closed when the breaker contacts are open).

External Accessories page 5-195 - 5-209

# VL Circuit Breakers

## LG 600A Frame, VL Series

## Selection/Dimensions

### Ordering Information

Complete Assembled Breaker

A complete factory assembled LG breaker includes the frame, trip unit, and standard line and load lugs, all factory installed and shipped as a complete breaker. Assembled breakers are available only with standard connectors.

For DC applications, use thermal magnetic trip unit only.

Breakers are suitable for reverse feed applications.

For special applications, refer to page 5-216.

Mounting hardware is included with each breaker.

For 100% rated breakers, change the 3rd character of the catalogue number to "W". Available on 400/500 Amp only.

HACR rated.



### Interrupting Ratings

Interrupting Class	Breaker Type	RMS Symmetrical Amperes (KA)										
		CSA C22.2 NO.5 / UL 489					IEC 60947-2					
		Volts AC (50/60 Hz)			Volts DC		Volts AC (50/60 Hz)					
		240	480	600	250	500	220/240		380/415		690	
						I <sub>cu</sub>	I <sub>cs</sub>	I <sub>cu</sub>	I <sub>cs</sub>	I <sub>cu</sub>	I <sub>cs</sub>	
N	NLGB	65	35	18	30	25	65	65	45	45	12	6
H	HLGB	100	65	18	30	35	100	75	70	70	15	8
L	LLGB	200	100	18	30	35	200	150	100	75	15	8

### Dimensions - Inches (mm)

Number of Poles	W	L	D	To Handle D1
2, 3	5.5 (139)	11 (279)	4.2 (102)	5.4 (138)
Ext. Shield		13.6 (345.5)		

### Shipping Weight, lbs. (kg)

Poles	Frame	Trip Unit		Complete Breaker
		Thermal-Mag.	Electronic	
2, 3	17.4 (7.9)	3.5 (1.6)	4.2 (1.9)	20.9 (9.5)

### Connectors for 75°C Wire

Construction	Ampere Rating	Wire Range	No. of cables per phase	Catalogue Number <sup>②</sup>
Aluminum	150-600	#2/0-600 kcmil Al/Cu	2 (load side)	3TA2LG600LD <sup>①</sup>
Aluminum	150-600	#2/0-600 kcmil Al/Cu	2 (line side)	3TA2LG600LN <sup>①</sup>
Copper	150-600	#2/0-600 kcmil Cu	2 (load side)	3TC2LG600LD <sup>④</sup>
Copper	150-600	#2/0-600 kcmil Cu	2 (line side)	3TC2LG600LN <sup>④</sup>
Compression Lugs				
	150-600	#6-350 kcmil Al/Cu	—	6CLL350 <sup>③</sup>
	150-600	250-750 kcmil Al/Cu	—	3CLL750 <sup>②</sup>
	150-600	250-600 kcmil Al/Cu	—	6CLL600 <sup>③</sup>

① Standard construction supplied for each breaker.

② Kit consists of 3 terminal connectors.

③ Kit consists of 6 lugs for Line or Load end.

④ Required for 100% rated LG breakers. Requires 90°C cable sized at 75°C ampacity.

### LG Thermal-Magnetic, Instantaneous Trip Adjustment Range

Trip Unit Continuous Amp Rating (I <sub>n</sub> )	Instantaneous Overcurrent Setting (I <sub>i</sub> )	
	Min.	Max.
400	2000	4000
500	2500	5000
600	2750	5500

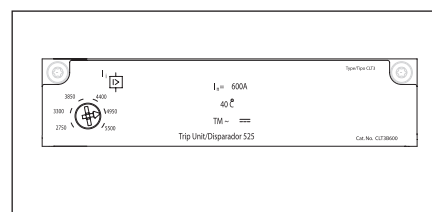
Note: Each breaker has 6 trip settings.

External Accessories page 5-195 - 5-209

# VL Circuit Breakers

## LG 600A Thermal-Magnetic Trip Unit

*Selection*



Model 525 Trip Unit

### LG 600A Frame 2-Pole with Thermal-Magnetic Trip Unit

Continuous Ampere Rating	N-Interrupting Class	H-Interrupting Class	L-Interrupting Class
	Catalogue Number	Catalogue Number	Catalogue Number
	COMPLETE FACTORY ASSEMBLED CIRCUIT BREAKER		
400	NLK2B400L	HLK2B400L	LLK2B400L
500	NLK2B500L	HLK2B500L	LLK2B500L
600	NLK2B600L	HLK2B600L	LLK2B600L

### LG 600A Frame 3-Pole with Thermal-Magnetic Trip Unit

Continuous Ampere Rating	N-Interrupting Class	H-Interrupting Class	L-Interrupting Class
	Catalogue Number	Catalogue Number	Catalogue Number
	COMPLETE FACTORY ASSEMBLED CIRCUIT BREAKER		
400	NLK3B400L	HLK3B400L	LLK3B400L
500	NLK3B500L	HLK3B500L	LLK3B500L
600	NLK3B600L	HLK3B600L	LLK3B600L

**5**  
MOLDED CASE  
CIRCUIT BREAKERS

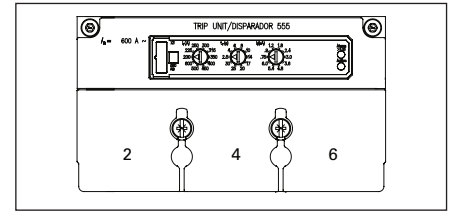
Ⓞ For 100% rated 400A or 500A versions, change the third character of the catalogue number to "Z".  
 Ⓞ Please consult Siemens sales office for availability.



# VL Circuit Breakers

## LG 600A Electronic 3-Knob & LCD Trip Units

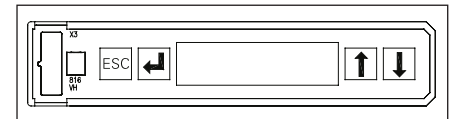
Selection



Model 555 Trip Unit

### LG 600A Frame 3-Pole Electronic Trip Unit

Continuous Ampere Rating	N-Interrupting Class	H-Interrupting Class	L-Interrupting Class
	Catalogue Number	Catalogue Number	Catalogue Number
<b>COMPLETE FACTORY ASSEMBLED CIRCUIT BREAKER</b>			
<b>ELECTRONIC LI TRIP</b>			
400	NLK3R400L	HLK3R400L	LLK3R400L
600	NLK3R600L	HLK3R600L	LLK3R600L
<b>ELECTRONIC LSI TRIP</b>			
400	NLK3T400L	HLK3T400L	LLK3T400L
600	NLK3T600L	HLK3T600L	LLK3T600L
<b>ELECTRONIC LSIG TRIP</b>			
400	NLK3V400L	HLK3V400L	LLK3V400L
600	NLK3V600L	HLK3V600L	LLK3V600L
<b>ELECTRONIC LIG TRIP</b>			
400	NLK3W400L	HLK3W400L	LLK3W400L
600	NLK3W600L	HLK3W600L	LLK3W600L



Model 586 Trip Unit

### LG 600A Frame 3-Pole Electronic LCD Trip Unit

Continuous Ampere Rating	N-Interrupting Class	H-Interrupting Class	L-Interrupting Class
	Catalogue Number	Catalogue Number	Catalogue Number
<b>COMPLETE FACTORY ASSEMBLED CIRCUIT BREAKER</b>			
<b>ELECTRONIC LSI TRIP</b>			
400	NLK3A400L	HLK3A400L	LLK3A400L
600	NLK3A600L	HLK3A600L	LLK3A600L
<b>ELECTRONIC LSIG TRIP</b>			
400	NLK3G400L	HLK3G400L	LLK3G400L
600	NLK3G600L	HLK3G600L	LLK3G600L
<b>ELECTRONIC LSIG TRIP + GFG ALARM ONLY</b>			
400	NLK3K400L	HLK3K400L	LLK3K400L
600	NLK3K600L	HLK3K600L	LLK3K600L

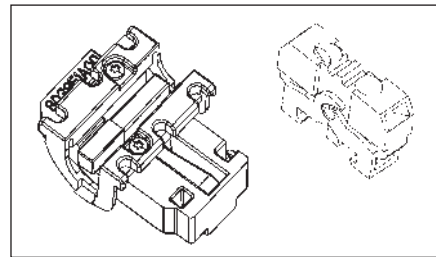
# VL Circuit Breakers

## Internal Accessories for JG 400A and LG 600A Frames

*Selection*

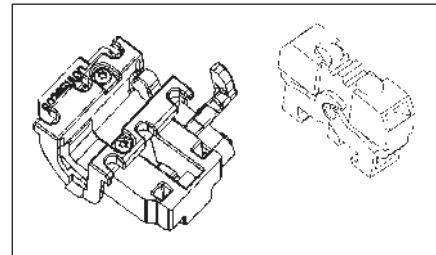
### Auxiliary Switch and Alarm Switch Combination Kits

Description	Mounting Pocket <sup>①</sup>	Catalogue Number
1 Alarm Switch 1A/B <sup>②</sup> Bases AMBL2 & AMBL3	Left, Right <sup>②</sup>	ASKL1
2 Aux. Switches 1A + 1B Bases AMBL1	Left, Right	ASKL2
2 Aux. + 1 Alarm Switches 1A + 1B, 1A/B <sup>②</sup> Bases AMBL2 & AMBL3	Left, Right <sup>②</sup>	ASKL3



### Auxiliary/Alarm Switch Mounting Base Only

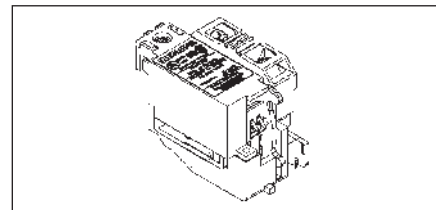
Description	Mounting Pocket	Catalogue Number
Up to 3 Auxiliary Switches	Left, Right	AMBL1
2 Aux. + 1 Alarm Switch	Left Pocket Only	AMBL2
2 Aux. + 1 Alarm Switch	Right Pocket Only	AMBL3



### Auxiliary/Alarm Switch Only

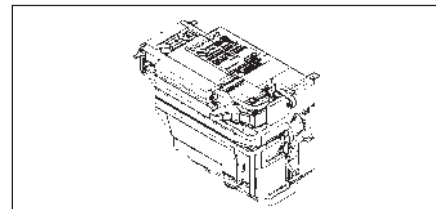
Common to DG - PG Frames

Description	Catalogue Number
1 Normally Open Contact (1A)	ASWPA
1 Normally Closed Contact (1B)	ASWPB



### Shunt Trips

Description	Mounting Pocket	Catalogue Number
24 VDC	Right Pocket Only	STRLB24DC
48-60 VDC		STRLC60DC
110-127 VDC		STRLD125DC
220-250 VDC		STRLE250DC
48-60 VAC		STRLM60
110-127 VAC		STRLN120
208-277 VAC		STRLS277
380-600 VAC		STRLV600



### Undervoltage Release

Description	Mounting Pocket	Catalogue Number
12 VDC	Right Pocket Only	UVRLA12DC
24 VDC		UVRLB24DC
48 VDC		UVRLC48DC
60 VDC		UVRLG60DC
110-127 VDC		UVRLD125DC
220-250 VDC		UVRLE250DC
24 VAC		UVRL24
110-127 VAC		UVRLN120
220-240 VAC		UVRLR240
208 VAC		UVRLP208
277 VAC		UVRLS277
380-415 VAC		UVRLT415
440-480 VAC		UVRLU480

① Refer to the "Accessory Locations" chart for guidelines and limitations about which pockets may be used for accessory combinations.

② Includes 1A and 1B contact for alarm purposes, only one of which may be installed at any time.

'A' refers to a normally open contact (open when the breaker contacts are open).

'B' refers to a normally closed contact (closed when the breaker contacts are open).

External Accessories page 5-195 - 5-209

# VL Circuit Breakers

## MG 800A Frame, VL Series

## Selection/Dimensions

### Ordering Information

#### Complete Assembled Breaker

A complete factory assembled MG breaker includes the frame, trip unit, and standard line and load lugs, all factory installed and shipped as a complete breaker. Assembled breakers are available only with standard connectors.

For any other configuration, order the frame, trip unit, and terminals as separate items.

For DC applications, use thermal magnetic trip unit only.

For reverse feed applications, select non-interchangeable trip breakers only. For non-interchangeable trip breakers, change the third digit of the catalogue number to "X" for standard breakers.

For 100% rated breakers with a non-interchangeable trip unit, change the 3<sup>rd</sup> character of the catalogue number to "Y".

For special applications, refer to page 5-216.

Mounting hardware is included with each frame or complete breaker.

HACR rated.



### Dimensions - Inches (mm)

Number of Poles	W	L	D	To Handle D1
2, 3	7.5 (190)	16 (406)	4.7 (119)	5.9 (151)

### Shipping Weight, lbs. (kg)

Poles	Frame	Trip Unit	Complete Breaker
2, 3	31.3 (14.2)	4.0 (1.8)	35.3 (16.0)

### Interrupting Ratings

Interrupting Class	Breaker Type	RMS Symmetrical Amperes (KA)										
		CSA C22.2 NO.5 / UL 489					IEC 60947-2					
		Volts AC (50/60 Hz)			Volts DC		Volts AC (50/60 Hz)					
		240	480	600	250	500	220/240		380/415		690	
N	NMG	65	35	25	22	35	65	65	50	50	20	10
H	HMG	100	65	35	25	50	100	75	70	70	30	15
L	LMG	200	100	50	42	65	200	150	100	75	35	17

### Connectors for 75°C Wire

Construction	Ampere Rating	Wire Range	No. of cables per phase	Catalogue Number
Aluminum	200-800A	1/0-500 kcmil Al/Cu	3	3TA3MG500 <sup>①②</sup>
Aluminum	200-800A	500-750 kcmil Al/Cu	2	3TA2MG750 <sup>②</sup>
Copper	200-800A	1/0-500 kcmil Cu	3	TC3MG500 <sup>③④</sup>
Aluminum	200-800A	#2-600 kcmil Al/Cu	3	3TA3MG600 <sup>②④</sup>

① Standard connector supplied with complete breakers.

② Kit consists of 3 terminal connectors.

③ Consists of one terminal.

④ Includes extended terminal cover.

⑤ Required for 100% rated MG breakers. Requires 90°C cable sized at 75°C ampacity.

### MG Thermal-Magnetic, Instantaneous Trip Adjustment Range

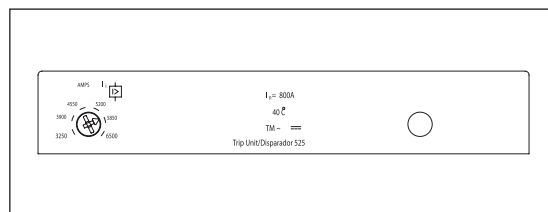
Trip Unit Continuous Amp Rating (I <sub>n</sub> )	Instantaneous Overcurrent Setting (I <sub>t</sub> )	
	Min.	Max.
600	3000	6000
700	3250	6500
800	3250	6500

**Note:** Each breaker has 6 trip settings.

# VL Circuit Breakers

## MG 800A Thermal-Magnetic Trip Unit

*Selection*



Model 525 Trip Unit

### MG 800A Frame 2-Pole with Thermal-Magnetic Trip Unit

Continuous Ampere Rating	N-Interrupting Class	H-Interrupting Class	L-Interrupting Class	Catalogue Number
	Catalogue Number	Catalogue Number	Catalogue Number	
	FRAME ONLY			
	NMG2F800	HMG2F800	LMG2F800	
	COMPLETE FACTORY ASSEMBLED CIRCUIT BREAKER			TRIP UNIT ONLY
600	NMG2B600L	HMG2B600L	LMG2B600L	CMT2B600
700	NMG2B700L	HMG2B700L	LMG2B700L	CMT2B700
800	NMG2B800L	HMG2B800L	LMG2B800L	CMT2B800

### MG 800A Frame 3-Pole with Thermal-Magnetic Trip Unit

Continuous Ampere Rating	N-Interrupting Class	H-Interrupting Class	L-Interrupting Class	Catalogue Number
	Catalogue Number	Catalogue Number	Catalogue Number	
	FRAME ONLY			
	NMG3F800	HMG3F800	LMG3F800	
	COMPLETE FACTORY ASSEMBLED CIRCUIT BREAKER			TRIP UNIT ONLY
600	NMG3B600L	HMG3B600L	LMG3B600L	CMT3B600
700	NMG3B700L	HMG3B700L	LMG3B700L	CMT3B700
800	NMG3B800L	HMG3B800L	LMG3B800L	CMT3B800

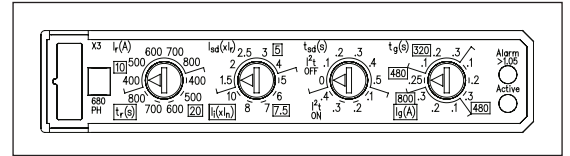
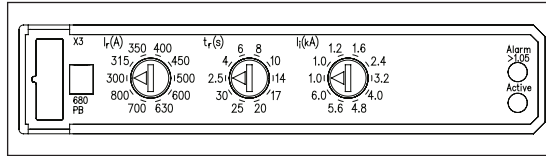
5

MOLDED CASE  
CIRCUIT BREAKERS

# VL Circuit Breakers

## MG 800A Electronic 3-Knob & LCD Trip Units

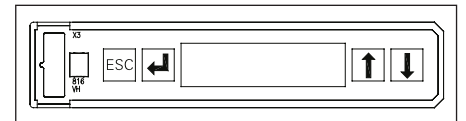
Selection



Model 555 Trip Units

### MG 800A Frame 3-Pole Electronic Trip Unit

Continuous Ampere Rating	N-Interrupting Class	H-Interrupting Class	L-Interrupting Class	Catalogue Number
	Catalogue Number	Catalogue Number	Catalogue Number	
	FRAME ONLY			
	NMG3F800	HMG3F800	LMG3F800	
COMPLETE FACTORY ASSEMBLED CIRCUIT BREAKER				TRIP UNIT ONLY
ELECTRONIC LI TRIP				
600 800	NMG3R600L NMG3R800L	HMG3R600L HMG3R800L	LMG3R600L LMG3R800L	CMT3R600 CMT3R800
ELECTRONIC LSI TRIP				
600 800	NMG3T600L NMG3T800L	HMG3T600L HMG3T800L	LMG3T600L LMG3T800L	CMT3T600 CMT3T800
ELECTRONIC LSIG TRIP				
600 800	NMG3V600L NMG3V800L	HMG3V600L HMG3V800L	LMG3V600L LMG3V800L	CMT3V600 CMT3V800
ELECTRONIC LIG TRIP				
600 800	NMG3W600L NMG3W800L	HMG3W600L HMG3W800L	LMG3W600L LMG3W800L	CMT3W600 CMT3W800



Model 586 Trip Unit

### MG 800A Frame 3-Pole Electronic LCD Trip Unit

Continuous Ampere Rating	N-Interrupting Class	H-Interrupting Class	L-Interrupting Class	Catalogue Number
	Catalogue Number	Catalogue Number	Catalogue Number	
	FRAME ONLY			
	NMG3F800	HMG3F800	LMG3F800	
COMPLETE FACTORY ASSEMBLED CIRCUIT BREAKER				TRIP UNIT ONLY
LCD ELECTRONIC LSI TRIP				
600 800	NMG3A600L NMG3A800L	HMG3A600L HMG3A800L	LMG3A600L LMG3A800L	CMT3A600 CMT3A800
LCD ELECTRONIC LSIG TRIP				
600 800	NMG3G600L NMG3G800L	HMG3G600L HMG3G800L	LMG3G600L LMG3G800L	CMT3G600 CMT3G800
LCD ELECTRONIC LSIG TRIP + GF ALARM ONLY				
600 800	NMG3K600L NMG3K800L	HMG3K600L HMG3K800L	LMG3K600L LMG3K800L	CMT3K600 CMT3K800

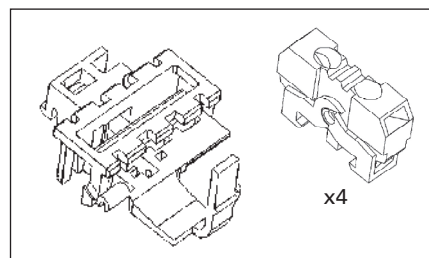
# VL Circuit Breakers

## Internal Accessories for MG 800A, NG 1200A and PG 1600A Frames

*Selection*

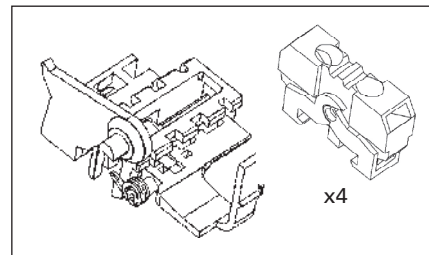
### Auxiliary Switch and Alarm Switch Combination Kits

Description	Mounting Pocket <sup>①</sup>	Catalogue Number
2 Aux. + 2 Alarm Switches 2A + 2B Base AMBP2	Left Pocket Only	ASKP3
4 Aux. Switches 2A + 2B Base AMBP1	Left, Right	ASKP4



### Auxiliary/Alarm Switch Mounting Base Only

Description	Mounting Pocket <sup>①</sup>	Catalogue Number
Up to 4 Auxiliary Switches	Left, Right	AMBP1
2 Aux. + 2 Alarm Switches	Left Pocket Only	AMBP2



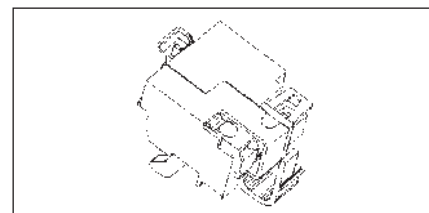
### Auxiliary/Alarm Switch Only

Common to DG - PG Frames

Description	Catalogue Number
1 Normally Open Contact (1A)	ASWPA
1 Normally Closed Contact (1B)	ASWPB

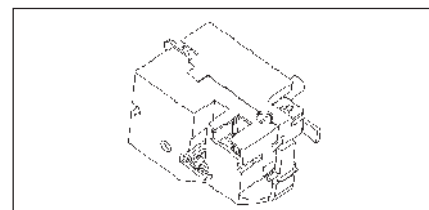
### Shunt Trips

Description	Mounting Pocket	Catalogue Number
24 VDC	Right Pocket Only	STRPB24DC
48-60 VDC		STRPC60DC
110-127 VDC		STRPD125DC
220-250 VDC		STRPE250DC
48-60 VAC		STRPM60
110-127 VAC		STRPN120
208-277 VAC		STRPS277
380-600 VAC		STRPV600



### Undervoltage Release

Description	Mounting Pocket	Catalogue Number
12 VDC	Right Pocket Only	UVRPA12DC
24 VDC		UVRPB24DC
48 VDC		UVRPC48DC
60 VDC		UVRPG60DC
110-127 VDC		UVRPD125DC
220-250 VDC		UVRPE250DC
110-127 VAC		UVRPN120
220-240 VAC		UVRPR240
208 VAC		UVRPP208
277 VAC		UVRPS277
380-415 VAC		UVRPT415
440-480 VAC		UVRPU480



① Refer to the "Accessory Locations" chart for guidelines and limitations about which pockets may be used for accessory combinations.

'A' refers to a normally open contact (open when the breaker contacts are open).

'B' refers to a normally closed contact (closed when the breaker contacts are open).



# VL Circuit Breakers

## NG 1200A Frame, VL Series

## Selection/Dimensions

### Ordering Information

#### Complete Assembled Breaker with Lugs

A complete factory assembled NG breaker includes the frame, trip unit, and standard line and load lugs, all factory installed and shipped as a complete breaker. Assembled breakers are available only with standard connectors.

For any other configuration, order the frame, trip unit, and terminals as separate items.

For DC applications, use thermal magnetic trip unit only.

For reverse feed applications, select non-interchangeable trip breakers only. For non-interchangeable trip breakers, change the third digit of the catalogue number to "X" for standard breakers.

For 100% rated breakers with a non-interchangeable trip unit, change the 3<sup>rd</sup> character of the catalogue number to "Y".

For special applications, refer to page 5-216.

Mounting hardware is included with each frame or complete breaker.

A Toggle Handle Extension is included with each frame or complete breaker.

HACR rated.



### Dimensions - Inches (mm)

Number of Poles	W	L	D	To Handle D1
2, 3	9 (229)	16 (406)	6 (152)	8.1 (207)

### Shipping Weight, lbs. (kg)

Poles	Frame	Trip Unit	Complete Breaker
2, 3	46.3 (21.0)	8.8 (4.0)	55.1 (25.0)

### Interrupting Ratings

Interrupting Class	Breaker Type	RMS Symmetrical Amperes (KA)										
		CSA C22.2 NO.5 / UL 489					IEC 60947-2					
		Volts AC (50/60 Hz)			Volts DC		Volts AC (50/60 Hz)					
		240	480	600	250	500	220/240		380/415		690	
N	NNG	65	35	25	22	35	65	35	50	25	20	10
H	HNG	100	65	35	25	50	100	50	70	35	30	15
L	LNG	200	100	65	42	65	200	100	100	50	35	17

### Connectors for 75°C Wire

Construction	Ampere Rating	Wire Range	No. of cables per phase	Catalogue Number
Aluminum	300-1200A	1/0-500 kcmil Al/Cu	4	3TA4NG500 <sup>③④</sup>
Aluminum	300-1200A	500-750 kcmil Al/Cu	3	3TA3NG750 <sup>④</sup>
Copper	300-1200A	1/0-500 kcmil Cu	4	3TC4NG500 <sup>③③</sup>
Aluminum	300-1200A	1/0-500 kcmil Al/Cu	4	3TA4NG500H <sup>④</sup>
Compression Lugs				
	300-1200A	1/0-500 kcmil Al/Cu	—	12CLN500 <sup>①</sup>

① Total of 12 connectors (4 per phase Line or Load).

② For 100% rated NG breakers. Requires 90°C cable sized at 75°C ampacity.

③ Standard connector provided with complete breakers.

④ Kit consists of 3 terminal connectors.

### NG Thermal-Magnetic, Instantaneous Trip Adjustment Range

Trip Unit Continuous Amp Rating (I <sub>n</sub> )	Instantaneous Overcurrent Setting (I <sub>s</sub> )	
	Min.	Max.
800	4000	8000
900	5000	10000
1000	5000	10000
1200	7000	12000

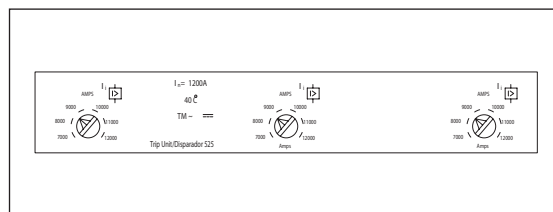
Note: Each breaker has 6 trip settings.

External Accessories page 5-195 - 5-209

# VL Circuit Breakers

## NG 1200A Thermal-Magnetic Trip Unit

*Selection*



Model 525 Trip Unit

### NG 1200A Frame 2-Pole with Thermal-Magnetic Trip Unit

Continuous Ampere Rating	N-Interrupting Class	H-Interrupting Class	L-Interrupting Class	Catalogue Number
	Catalogue Number	Catalogue Number	Catalogue Number	
	FRAME ONLY			
	NNG2F120	HNG2F120	LNG2F120	
COMPLETE FACTORY ASSEMBLED CIRCUIT BREAKER				TRIP UNIT ONLY
800	NNG2B800L	HNG2B800L	LNG2B800L	CNT2B800
900	NNG2B900L	HNG2B900L	LNG2B900L	CNT2B900
1000	NNG2B100L	HNG2B100L	LNG2B100L	CNT2B100
1200	NNG2B120L	HNG2B120L	LNG2B120L	CNT2B120

### NG 1200A Frame 3-Pole with Thermal-Magnetic Trip Unit

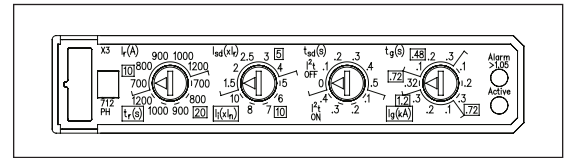
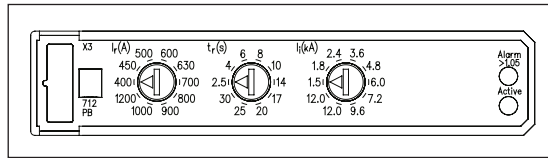
Continuous Ampere Rating	N-Interrupting Class	H-Interrupting Class	L-Interrupting Class	Catalogue Number
	Catalogue Number	Catalogue Number	Catalogue Number	
	FRAME ONLY			
	NNG3F120	HNG3F120	LNG3F120	
COMPLETE FACTORY ASSEMBLED CIRCUIT BREAKER				TRIP UNIT ONLY
800	NNG3B800L	HNG3B800L	LNG3B800L	CNT3B800
900	NNG3B900L	HNG3B900L	LNG3B900L	CNT3B900
1000	NNG3B100L	HNG3B100L	LNG3B100L	CNT3B100
1200	NNG3B120L	HNG3B120L	LNG3B120L	CNT3B120

**5**  
MOLDED CASE  
CIRCUIT BREAKERS

# VL Circuit Breakers

## NG 1200A Electronic 3-Knob & LCD Trip Units

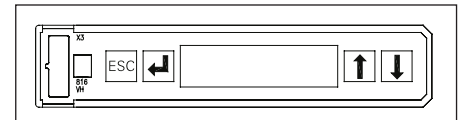
Selection



Model 555 Trip Units

### NG 1200A Frame 3-Pole Electronic Trip Unit

Continuous Ampere Rating	N-Interrupting Class	H-Interrupting Class	L-Interrupting Class	Catalogue Number
	Catalogue Number	Catalogue Number	Catalogue Number	
	FRAME ONLY			
	NNG3F120	HNG3F120	LNG3F120	
COMPLETE FACTORY ASSEMBLED CIRCUIT BREAKER				TRIP UNIT ONLY
<b>ELECTRONIC LI TRIP</b>				
800	NNG3R800L	HNG3R800L	LNG3R800L	CNT3R800
1000	NNG3R100L	HNG3R100L	LNG3R100L	CNT3R100
1200	NNG3R120L	HNG3R120L	LNG3R120L	CNT3R120
<b>ELECTRONIC LSI TRIP</b>				
800	NNG3T800L	HNG3T800L	LNG3T800L	CNT3T800
1000	NNG3T100L	HNG3T100L	LNG3T100L	CNT3T100
1200	NNG3T120L	HNG3T120L	LNG3T120L	CNT3T120
<b>ELECTRONIC LSIG TRIP</b>				
800	NNG3V800L	HNG3V800L	LNG3V800L	CNT3V800
1000	NNG3V100L	HNG3V100L	LNG3V100L	CNT3V100
1200	NNG3V120L	HNG3V120L	LNG3V120L	CNT3V120
<b>ELECTRONIC LIG TRIP</b>				
800	NNG3W800L	HNG3W800L	LNG3W800L	CNT3W800
1000	NNG3W100L	HNG3W100L	LNG3W100L	CNT3W100
1200	NNG3W120L	HNG3W120L	LNG3W120L	CNT3W120



Model 586 Trip Unit

### NG 1200A Frame 3-Pole Electronic LCD Trip Unit

Continuous Ampere Rating	N-Interrupting Class	H-Interrupting Class	L-Interrupting Class	Catalogue Number
	Catalogue Number	Catalogue Number	Catalogue Number	
	FRAME ONLY			
	NNG3F120	HNG3F120	LNG3F120	
COMPLETE FACTORY ASSEMBLED CIRCUIT BREAKER				TRIP UNIT ONLY
<b>LCD ELECTRONIC LSI TRIP</b>				
800	NNG3A800L	HNG3A800L	LNG3A800L	CNT3A800
1000	NNG3A100L	HNG3A100L	LNG3A100L	CNT3A100
1200	NNG3A120L	HNG3A120L	LNG3A120L	CNT3A120
<b>LCD ELECTRONIC LSIG TRIP</b>				
800	NNG3G800L	HNG3G800L	LNG3G800L	CNT3G800
1000	NNG3G100L	HNG3G100L	LNG3G100L	CNT3G100
1200	NNG3G120L	HNG3G120L	LNG3G120L	CNT3G120
<b>LCD ELECTRONIC LSIG TRIP + GF ALARM ONLY</b>				
800	NNG3K800L	HNG3K800L	LNG3K800L	CNT3K800
1000	NNG3K100L	HNG3K100L	LNG3K100L	CNT3K100
1200	NNG3K120L	HNG3K120L	LNG3K120L	CNT3K120

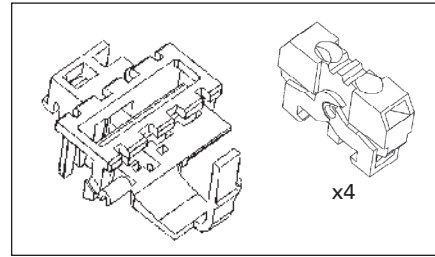
# VL Circuit Breakers

## Internal Accessories for MG 800A, NG 1200A, and PG 1600A Frames

*Selection*

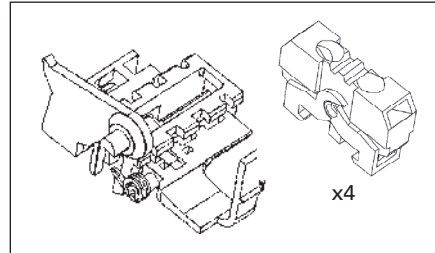
### Auxiliary Switch and Alarm Switch Combination Kits

Description	Mounting Pocket <sup>Ⓞ</sup>	Catalogue Number
2 Aux. + 2 Alarm Switches 2A + 2B Base AMBP2	Left Pocket Only	ASKP3
4 Aux. Switches 2A + 2B Base AMBP1	Left, Right	ASKP4



### Auxiliary/Alarm Switch Mounting Base Only

Description	Mounting Pocket <sup>Ⓞ</sup>	Catalogue Number
Up to 4 Auxiliary Switches	Left, Right	AMBP1
2 Aux. + 2 Alarm Switches	Left Pocket Only	AMBP2



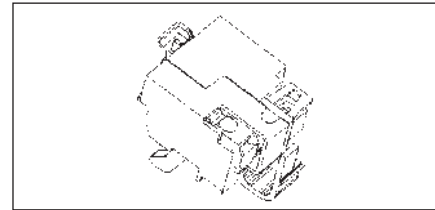
### Auxiliary/Alarm Switch Only

Common to DG-PG Frames

Description	Catalogue Number
1 Normally Open Contact (1A)	ASWPA
1 Normally Closed Contact (1B)	ASWPB

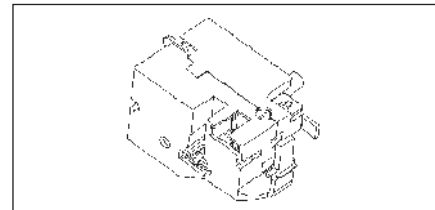
### Shunt Trips

Description	Mounting Pocket	Catalogue Number
24 VDC	Right Pocket Only	STRPB24DC
48-60 VDC		STRPC60DC
110-127 VDC		STRPD125DC
220-250 VDC		STRPE250DC
48-60 VAC		STRPM60
110-127 VAC		STRPN120
208-277 VAC		STRPS277
380-600 VAC		STRPV600



### Undervoltage Release

Description	Mounting Pocket	Catalogue Number
12 VDC	Right Pocket Only	UVRPA12DC
24 VDC		UVRPB24DC
48 VDC		UVRPC48DC
60 VDC		UVRPG60DC
110-127 VDC		UVRPD125DC
220-250 VDC		UVRPE250DC
110-127 VAC		UVRPN120
220-240 VAC		UVRPR240
208 VAC		UVRPP208
277 VAC		UVRPS277
380-415 VAC		UVRPT415
440-480 VAC		UVRPU480



<sup>Ⓞ</sup> Refer to the "Accessory Locations" chart for guidelines and limitations about which pockets may be used for accessory combinations.  
 'A' refers to a normally open contact (open when the breaker contacts are open).  
 'B' refers to a normally closed contact (closed when the breaker contacts are open).

# VL Circuit Breakers

## PG 1600A Frame, VL Series & Thermal-Magnetic Trip Unit

## Selection/Dimensions

### Ordering Information

A complete factory assembled PG breaker includes the frame and trip unit only. The connectors must be ordered as separate items.

PG thermal-magnetic breakers sold as non-interchangeable only.

For any other configuration, order the frame, trip unit, and connectors as separate items.

Connectors require a Breaker Lug Mounting Assembly or Breaker Mounting Base and must be ordered as a separate item.

For DC applications, use Thermal magnetic trip unit only.

For reverse feed applications select non-interchangeable trip breakers only. Change the third digit of the catalogue number to "X" for non-interchangeable trip breakers.

For 100% rated breakers with a non-interchangeable trip unit, change the 3<sup>rd</sup> character of the catalogue number to "Y".

For special applications, refer to page 5-216.

Mounting hardware is included with each frame or complete breaker.

A Toggle Handle Extension is included with each frame or complete breaker.



### Dimensions - Inches (mm)

Number of Poles	W	L	D	To Handle D1
2, 3	9 (229)	16 (406)	6 (152)	8.1 (207)

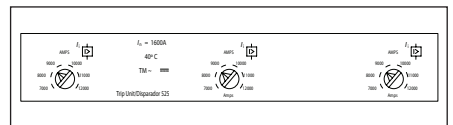
### Shipping Weight, lbs. (kg)

Poles	Frame	Trip Unit	Complete Breaker
2, 3	60.2 (27.3)	8.8 (4.0)	69.0 (31.3)

### PG Thermal-Magnetic, Instantaneous Trip Adjustment Range

Trip Unit Continuous Amp Rating (I <sub>n</sub> )	Instantaneous Overcurrent Setting (I <sub>i</sub> )	
	Min.	Max.
1200	7000	12000
1400	7000	12000
1600	7000	12000

Note: Each breaker has 6 trip settings in this range.



Model 525 Trip Unit

### Interrupting Ratings

Interrupting Class	Breaker Type	RMS Symmetrical Amperes (KA)										
		CSA C22.2 NO.5 / UL 489					IEC 60947-2					
		Volts AC (50/60 Hz)			Volts DC		Volts AC (50/60 Hz)					
		240	480	600	250	500	220/240		380/415		690	
N	NPG	65	35	25	22	35	65	35	50	25	20	10
H	HPG	100	65	35	25	50	100	50	70	35	30	15
L	LPG	200	100	65	42	65	200	100	100	50	35	17

### Connectors for 75°C Wire

Construction	Ampere Rating	Wire Range	No. of cables per phase	Catalogue Number
Aluminum	1200-1600A	1/0-750 kcmil Al/Cu	6	3TA6PG750 <sup>①③</sup>
Aluminum	1200-1600A	300-600 kcmil	5	TA5P600 <sup>②④</sup>
Aluminum	1200-1600A	600-750 kcmil	4	TA4P750 <sup>②④</sup>
Aluminum	1200-1600A	300-600 kcmil	6	TA6R600 <sup>②④</sup>
Copper	1200-1600A	300-600 kcmil	5	TC5R600 <sup>②④⑤</sup>

① Requires Lug Mounting Assembly LMAP1600.

② Requires Breaker Mounting Base MBPG1600 Kit or MBPG1601.

③ Consists of 3 connectors.

④ Consists of 1 connector.

⑤ For 100% rated PG breakers. Requires 90°C cable sized at 75°C ampacity.

### Mounting Arrangement

Description	Catalogue Number
Lug Mounting Assembly	LMAP1600
Breaker Mounting Base (Front Connect)	MBPG1600
Breaker Mounting Base (Rear Connect)	MBPG1601

### PG 1600A Frame 3-Pole with Thermal-Magnetic Trip Unit

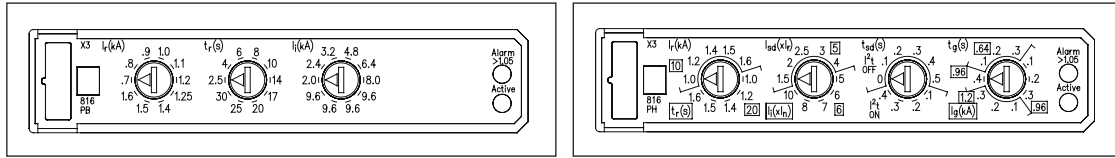
Continuous Ampere Rating	N-Interrupting Class	H-Interrupting Class	L-Interrupting Class
	Catalogue Number	Catalogue Number	Catalogue Number
COMPLETE FACTORY ASSEMBLED CIRCUIT BREAKER			
1200	NPX3B120	HPX3B120	LPX3B120
1400	NPX3B140	HPX3B140	LPX3B140
1600	NPX3B160	HPX3B160	LPX3B160

External Accessories page 5-195 - 5-209

# VL Circuit Breakers

## PG 1600A Electronic 3-Knob & LCD Trip Units

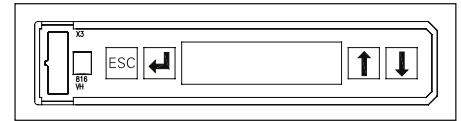
Selection



Model 555 Trip Unit

### PG 1600A Frame 3-Pole Electronic Trip Unit

Continuous Ampere Rating	N-Interrupting Class	H-Interrupting Class	L-Interrupting Class	Catalogue Number
	Catalogue Number	Catalogue Number	Catalogue Number	
	FRAME ONLY			
	NPG3F160	HPG3F160	LPG3F160	
COMPLETE FACTORY ASSEMBLED CIRCUIT BREAKER				TRIP UNIT ONLY
ELECTRONIC LI TRIP				
1200	NPG3R120	HPG3R120	LPG3R120	CPT3R120
1600	NPG3R160	HPG3R160	LPG3R160	CPT3R160
ELECTRONIC LSI TRIP				
1200	NPG3T120	HPG3T120	LPG3T120	CPT3T120
1600	NPG3T160	HPG3T160	LPG3T160	CPT3T160
ELECTRONIC LSIG TRIP				
1200	NPG3V120	HPG3V120	LPG3V120	CPT3V120
1600	NPG3V160	HPG3V160	LPG3V160	CPT3V160
ELECTRONIC LIG TRIP				
1200	NPG3W120	HPG3W120	LPG3W120	CPT3W120
1600	NPG3W160	HPG3W160	LPG3W160	CPT3W160



Model 586 Trip Unit

### PG 1600A Frame 3-Pole Electronic LCD Trip Unit

Continuous Ampere Rating	N-Interrupting Class	H-Interrupting Class	L-Interrupting Class	Catalogue Number
	Catalogue Number	Catalogue Number	Catalogue Number	
	FRAME ONLY			
	NPG3F160	HPG3F160	LPG3F160	
COMPLETE FACTORY ASSEMBLED CIRCUIT BREAKER				TRIP UNIT ONLY
LCD ELECTRONIC LSI TRIP				
1200	NPG3A120	HPG3A120	LPG3A120	CPT3A120
1600	NPG3A160	HPG3A160	LPG3A160	CPT3A160
LCD ELECTRONIC LSIG TRIP				
1200	NPG3G120	HPG3G120	LPG3G120	CPT3G120
1600	NPG3G160	HPG3G160	LPG3G160	CPT3G160
LCD ELECTRONIC LSIG TRIP + GF ALARM ONLY				
1200	NPG3K120	HPG3K120	LPG3K120	CPT3K120
1600	NPG3K160	HPG3K160	LPG3K160	CPT3K160

5  
MOLDED CASE  
CIRCUIT BREAKERS



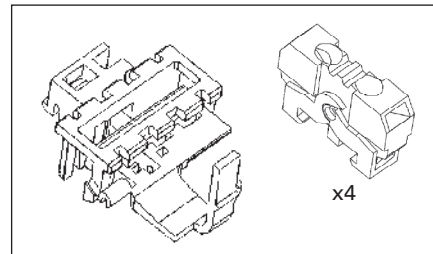
# VL Circuit Breakers

## Internal Accessories for MG 800A, NG 1200A, and PG 1600A Frames

*Selection*

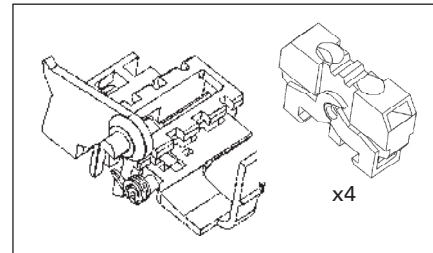
### Auxiliary Switch and Alarm Switch Combination Kits

Description	Mounting Pocket <sup>ⓐ</sup>	Catalogue Number
2 Aux. + 2 Alarm Switches 2A + 2B Base AMBP2	Left Pocket Only	ASKP3
4 Aux. Switches 2A + 2B Base AMBP1	Left, Right	ASKP4



### Auxiliary/Alarm Switch Mounting Base Only

Description	Mounting Pocket <sup>ⓐ</sup>	Catalogue Number
Up to 4 Auxiliary Switches	Left, Right	AMBP1
2 Aux. + 2 Alarm Switches	Left Pocket Only	AMBP2



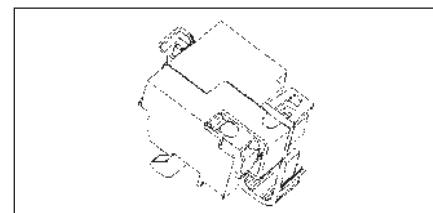
### Auxiliary/Alarm Switch Only

Common to DG-PG Frames

Description	Catalogue Number
1 Normally Open Contact (1A)	ASWPA
1 Normally Closed Contact (1B)	ASWPB

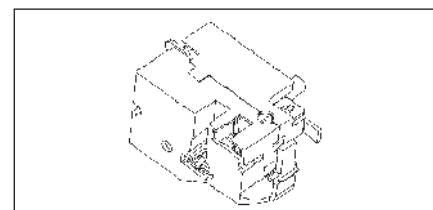
### Shunt Trips

Description	Mounting Pocket	Catalogue Number
24 VDC	Right Pocket Only	STRPB24DC
48-60 VDC		STRPC60DC
110-127 VDC		STRPD125DC
220-250 VDC		STRPE250DC
48-60 VAC		STRPM60
110-127 VAC		STRPN120
208-277 VAC		STRPS277
380-600 VAC		STRPV600



### Undervoltage Release

Description	Mounting Pocket	Catalogue Number
12 VDC	Right Pocket Only	UVRPA12DC
24 VDC		UVRPB24DC
48 VDC		UVRPC48DC
60 VDC		UVRPG60DC
110-127 VDC		UVRPD125DC
220-250 VDC		UVRPE250DC
110-127 VAC		UVRPN120
220-240 VAC		UVRPR240
208 VAC		UVRPP208
277 VAC		UVRPS277
380-415 VAC		UVRPT415
440-480 VAC		UVRPU480



<sup>ⓐ</sup> Refer to the "Accessory Locations" chart for guidelines and limitations about which pockets may be used for accessory combinations.

'A' refers to a normally open contact (open when the breaker contacts are open).

'B' refers to a normally closed contact (closed when the breaker contacts are open).

# Molded Case Circuit Breakers

## Molded Case Switch

## Selection

### General

Typically a molded case switch is used when a compact load-break switch is needed for disconnect purposes. The VL line of molded case switches from Siemens is made of the same materials and components as the VL circuit breakers but do not provide overcurrent protection. Each molded case

switch has a fixed instantaneous self-protecting trip element which may open the switch under high fault conditions.

### Application Note

Overcurrent protection must be provided by an appropriate overcurrent protective device located upstream

from the molded case switch. Also, the short-circuit current rating of the switch is limited to the interrupting rating of the upstream protective device or the ratings in the table below, **whichever is less.**

### Ordering Information

Each type VL molded case switch accepts the same terminals and accessories as the equivalent VL circuit breakers.

All type VL molded case switches are suitable for reverse feed applications.

Mounting hardware and standard line and load terminals are included on ratings through 250A. For 400 – 1600A ratings, order the lugs separately.

All ratings are UL listed and CSA certified.

## Molded Case Switch

Maximum Ampere Rating / Frame	2-Pole	3-Pole	Short-Circuit Current Rating <sup>①</sup>			Self Protective Instantaneous Override
	Catalogue Number	Catalogue Number	240V	480V	600V	
150A / DG	<b>HDS2S150L</b>	<b>HDS3S150L</b>	100k	65k	20k	2,500A
250A / FG	<b>HFS2S250L</b>	<b>HFS3S250L</b>	100k	65k	20k	3,500A
400A / JG	<b>HJS2S400</b>	<b>HJS3S400</b>	100k	65k	25k	4,400A
600A / LG	<b>HLR2S600</b>	<b>HLR3S600</b>	100k	65k	18k	5,500A
800A / MG	<b>HMS2S800</b>	<b>HMS3S800</b>	100k	65k	35k	6,500A
1200A / NG	<b>HNS2S120</b>	<b>HNS3S120</b>	100k	65k	35k	12,000A
1600A / PG	-	<b>HPS3S160</b>	100k	65k	35k	14,000A

Maximum Ampere Rating / Frame	3-Pole	Short-Circuit Current Rating <sup>①</sup>			Self Protective Instantaneous Override
	Catalogue Number	240V	480V	600V	
250A / FG	<b>LFS3S250L</b>	200k	100k	25k	3,500A
400A / JG	<b>LJS3S400</b>	200k	100k	25k	4,400A
600A / LG	<b>LLR3S600</b>	200k	100k	18k	5,500A
800A / MG	<b>LMS3S800</b>	200k	100k	65k	6,500A
1200A / NG	<b>LNS3S120</b>	200k	100k	65k	12,000A
1600A / PG	<b>LPS3S160</b>	200k	100k	65k	14,000A

①The Short-Circuit Current Rating is the maximum available current of the circuit where the switch is used, when protected by an appropriate overcurrent protective device.

# Molded Case Circuit Breakers

## Motor Circuit Protectors

*Selection*

### General

#### Protection of Motor Circuits

Molded case circuit breakers are used in motor circuits as a disconnecting means and for short-circuit protection. They should be used in conjunction with motor-running, over-current protection devices, and should permit the motor to start without nuisance tripping from motor-inrush current. The circuit breaker should have a continuous current rating of not less than 115% of the motor full-load current.

The recommended motor circuit protectors listed have continuous-current ratings of at least 115% of motor full-load currents. The trip setting positions are approximately 11 times motor full-load current. The suggested trip settings may need to be adjusted upward to no higher than 1300% of full-load current for non-design E type motors, and no greater than 1700% of full-load current for design E motors, to allow for motor startup due to in-rush current.

#### Breaker Mounted Immediately Ahead of Motor Starter

Siemens motor circuit protectors are recommended for use in combination motor starters to provide selective short-circuit protection for the motor branch circuit. The adjustable instantaneous trip feature of the Siemens motor circuit protector provides for a trip setting slightly above the peak motor in-rush current. With this setting, no delay is introduced in opening the circuit when a fault occurs. This circuit breaker has no time-delay trip element. Therefore it must be used in conjunction with, and immediately ahead of, the motor-running overcurrent protection device.

Important: The information below does not apply to all motor applications: it is recommended that the user refer to the National Electrical Code (NEC) for specific needs.

**Table 1 (When Breaker is Mounted Immediately Ahead of Motor Starter)**

3-Phase Induction Type Motors (Siemens motor circuit protectors for branch circuit use with alternating-current combination, full voltage motor starters)

Motor Full Load Amperes	Trip Setting (A)	Catalogue Number <sup>①</sup>
35-50	450	HDM3L150L
42-60	540	
48-70	630	
55-80	720	
62-90	810	
69-100	900	
58-83	750	HDM3M150L
69-100	900	
81-117	1050	
92-133	1200	
104-150	1350	
115-150 <sup>②</sup>	1500	
96-139	1250	HDM3H150L
115-150 <sup>②</sup>	1500	
135-150 <sup>②</sup>	1750	
135-150 <sup>②</sup>	2000	
135-150 <sup>②</sup>	2250	
135-150 <sup>②</sup>	2500	
46-67	600	HFM3L250L
55-80	720	
65-93	840	
74-107	960	
83-120	1080	
92-133	1200	
77-111	1000	HFM3M250L
92-133	1200	
108-156	1400	
123-178	1600	
138-200	1800	
154-222	2000	
135-194	1750	HFM3H250L
162-210	2100	
188-220	2450	
215-241	2800	
242-250 <sup>②</sup>	3150	
242-250 <sup>②</sup>	3500	

① Motor circuit protectors rated 150A and 250A are supplied with line and load lugs installed. If lugs are required on 400A to 1200A motor circuit breakers, order required lugs separately.

Motor Full Load Amperes	Trip Setting (A)	Catalogue Number <sup>①</sup>
96-139	1250	HJM3L400
115-167	1500	
135-194	1750	
154-222	2000	
173-250	2250	
192-278	2500	
154-222	2000	HJM3M400
185-267	2400	
215-311	2800	
246-356	3200	
277-400	3600	
308-400 <sup>②</sup>	4000	
154-222	2000	HLM3J600
185-267	2400	
215-311	2800	
246-356	3200	
277-400	3600	
308-444	4000	
212-306	2750	HLM3Y600
254-367	3300	
296-428	3850	
338-489	4400	
381-550	4950	
423-600	5500	
250-361	3250	HMM3M800
292-422	3800	
335-483	4350	
385-556	5000	
442-638	5740	
500-722	6500	
385-556	5000	HNM3M120
462-667	6000	
538-778	7000	
615-889	8000	
692-1000	9000	
769-1111	10,000	

② These settings are provided for starting currents greater than 11X but not to exceed 17X. Full Load Amps ( FLA ) not to exceed ampere rating of MCP.

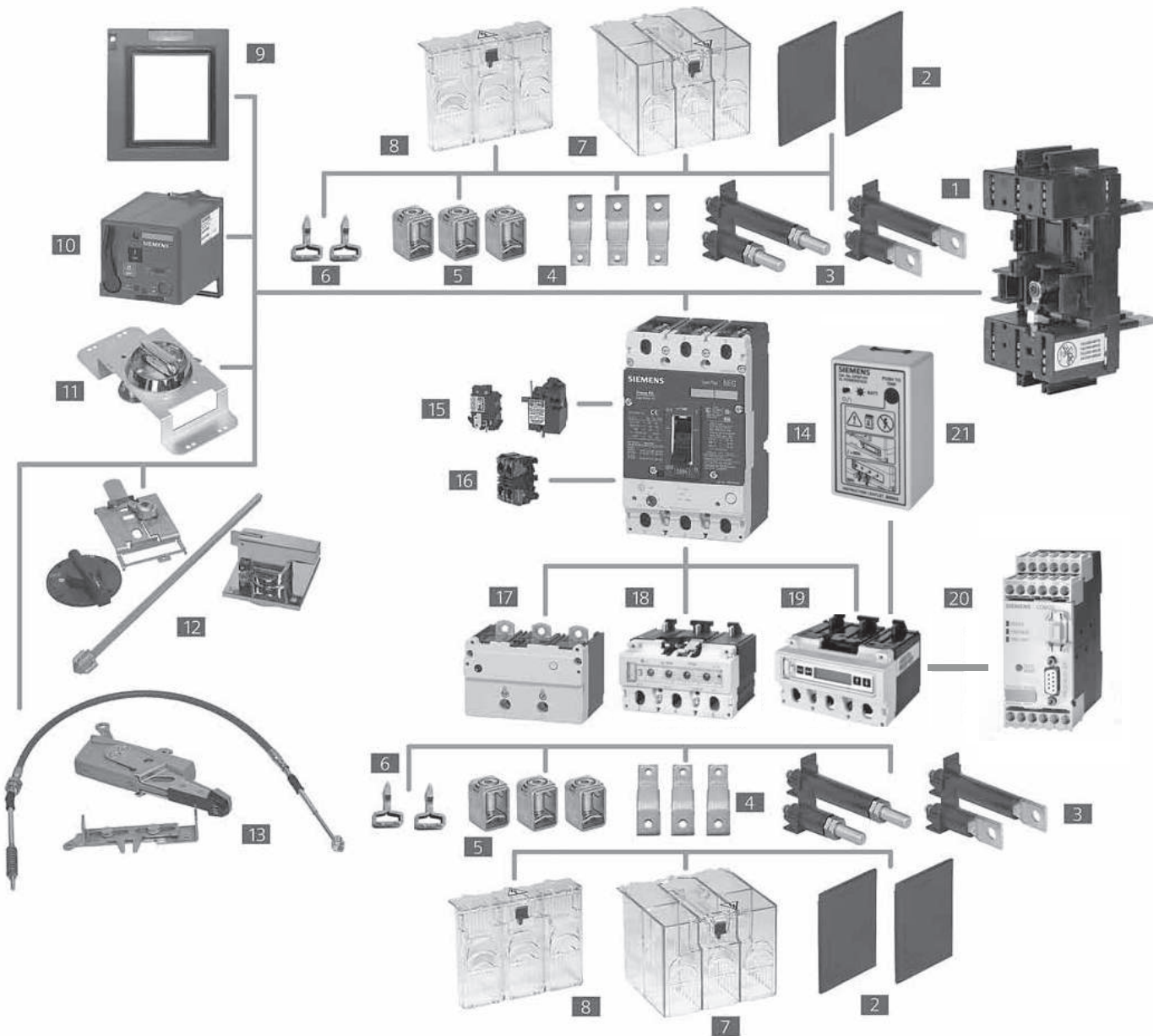
# VL External Accessories

## Operating Mechanisms

*Selection*

## Modularity To Support All Your Application Needs

Modules and More: VL Circuit Breakers with Optional Accessories



**5**  
MOLDED CASE  
CIRCUIT BREAKERS

- 1** Base for Plug-In or Draw-Out
- 2** Interphase Barriers
- 3** Rear Terminals – Flat and Round
- 4** Bus Extensions
- 5** Terminal Connectors
- 6** Plug-In Terminal Blades
- 7** Extended Terminal Shield
- 8** Standard Terminal Shield

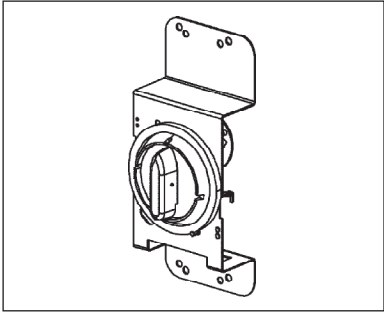
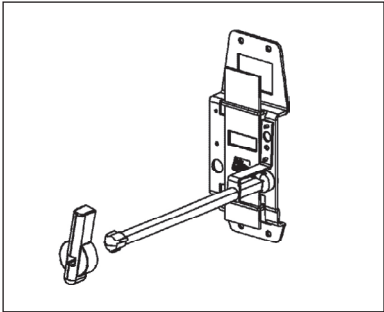
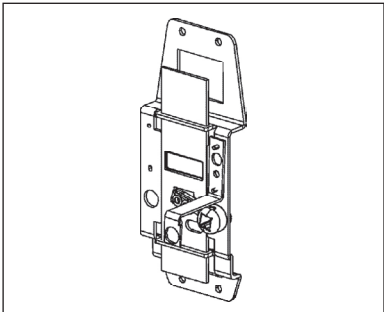
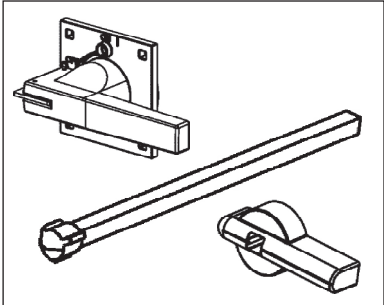
- 9** Cover Frame for Door Cutout
- 10** Stored Energy Operator
- 11** Rotary Handle Operator
- 12** Variable Depth Rotary Operator
- 13** Max Flex Operator
- 14** Circuit Breaker
- 15** Shunt Trip or Undervoltage Releases
- 16** Auxiliary/Alarm Switches

- 17** Thermal Magnetic Trip Unit (525)
- 18** Electronic Trip Unit (555)
- 19** Elec. Trip Unit with LCD (586)
- 20** Communication Module with ZSI
- 21** Electronic Trip Unit Tester and LCB Power Supply



# VL External Accessories

## Operating Mechanisms

		For DG to FG Frame 150 to 250 A	For JG to LG Frame 400 A to 600 A
	Description	Catalogue Number	Catalogue Number
	<b>Through-Door Rotary Handle Operator Kit</b> Fixed depth and the handle is mounted directly on the circuit breaker. Lockable knob (for up to 3 padlocks). NEMA 1, 12	RHFF	RHFL
	Red Handle Version with red knob, yellow indicator plate NEMA 1, 12	RHFFEM	RHFLEM
	<b>Door-Mounted Rotary Handle Operator Kit</b> Variable depth, door mounted handle. Includes knob with masking frame, indicator plate, detachable door coupling, 12" shaft, and breaker mounted rotary operator. Lockable knob (for up to 3 padlocks). NEMA 1, 12	RHVF12	RHVL12
	<b>Auxiliary Switch Kits</b> For Direct or Extended Rotary Handle Operators (RHF and RHV). Form C, Early Break type2 Aux. Switch Kit <sup>Ⓞ</sup> Includes 1 switch with 5' wire For Door-Mounted Operator For Through-Door Operator	— RHSFA1F	RHSLA1 RHSLA1F
	Includes 2 switches with 5' wire For Door-Mounted Operator For Through-Door Operator	— RHSFA2F	RHSLA2 RHSLA2F
	<b>Door-Mounted Rotary Operator Mechanism</b> Breaker mechanism only	RHVFBM	RHVLBM
	<b>Door-Mounted Rotary Handle Only</b> Standard version NEMA 1, 12 NEMA 3R NEMA 4X Red Handle version	RHVM12H RHVM3RH RHVM4XH RHVMEMH	RHVM12H RHVM3RH RHVM4XH RHVMEMH
	<b>NFPA-79 Handle Kit</b> Intermediate handle for NFPA-79 compliance with door-mounted rotary operator	RHVF79H	RHVM79H
	<b>Extension Shaft Only, for Door Mounted Operator</b> 2 inches (50.8mm) 3 inches (76.2mm) 12 inches (304.8 mm) 16 inches (406.4 mm) 24 inches (609.6mm) w/ support bracket	RHVMS02 — RHVMS12 RHVMS16 RHVMS24	RHVMS02 — RHVMS12 RHVMS16 RHVMS24

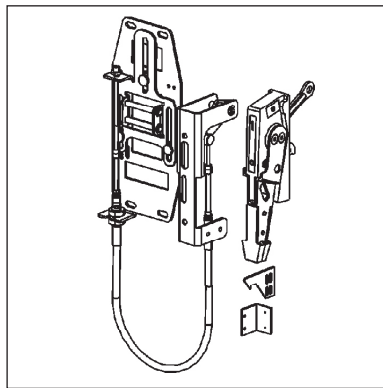
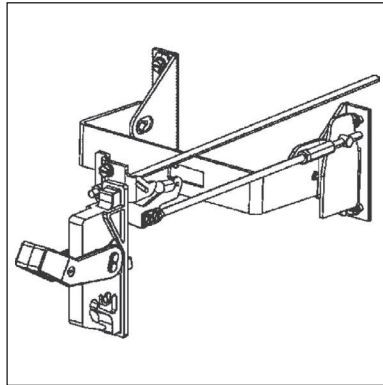
<sup>Ⓞ</sup> During manual operation, Early Break auxiliary switch contacts open before the breaker opens.



Description	For MG Frame 800 A	For NG to PG Frame 1200 to 1600 A
	Catalogue Number	Catalogue Number
<b>Through-Door Rotary Handle Operator Kit</b> Fixed depth, breaker mounted. For direct fitting to the circuit breaker. Lockable with up to 3 padlocks. NEMA 1, 12 Red Handle Version with red knob, yellow indicator plate NEMA 1, 12	RHFM  —	—  —
<b>Door-Mounted Rotary Handle Operator Kit</b> Variable depth, door mounted handle. Includes knob with masking frame, indicator plate, detachable door coupling, 12" shaft, and breaker mounted rotary operator. Lockable knob (for up to 3 padlocks). NEMA 1, 12	RHVM12	—
<b>Auxiliary Switch Kits</b> For Direct or Extended Rotary Handle Operators (RHF and RHV). Early Break type2 Aux. Switch Kit Includes 1 switch with 5' wire For Door-Mounted Operator For Through-Door Operator Includes 2 switches with 5' wire For Door-Mounted Operator For Through-Door Operator	RHSMA1 — RHSMA2 —	RHSPA1 — RHSPA2 —
<b>Door-Mounted Rotary Operator Mechanism</b> Breaker mechanism only	RHVMBM	RHVPBM
<b>Door-Mounted Rotary Handle Only</b> Standard version NEMA 1, 12 NEMA 3R NEMA 4X Red Handle version	RHVM12H RHVM3RH RHVM4XH RHVMEMH	RHVP12H RHVP3RH RHVP4XH RHVPEMH
<b>NFPA-79 Handle Kit</b> Intermediate handle for NFPA-79 compliance with door-mounted rotary operator	RHVM79H	RHVP79H
<b>Extension Shaft Only, for Door Mounted Operator</b> 2 inches (50.8mm) 3 inches (76.2mm) 12 inches (304.8 mm) 16 inches (406.4 mm) 24 inches (609.6mm) w/ support bracket	RHVMS02 — RHVMS12 RHVMS16 RHVMS24	— RHVPS03 RHVPS12 — RHVPS24

# VL External Accessories

## Operating Mechanisms



Description	For DG and FG Frame 150 to 250 A	For JG and LG Frame 400 to 600 A
	Catalogue Number	Catalogue Number
<b>Variable Depth Flange Mounted Operator Kit</b> Adjustable from 8" to 16" Complete kit, includes handle and variable depth operator. NEMA 1, 3R, 12 NEMA 4X IEC Black Handle NEMA 1, 3R, 12 NEMA 4X	FHVF3R FHVF4X FHVF3RB FHVF4XB	FHVL3R FHVL4X FHVL3RB FHVL4XB
<b>Max-Flex™, Variable Depth Flange Mounted Operator Kit</b> Complete kit, includes plastic handle, breaker operator, and cable. NEMA 1, 3R, 12 For DG and FG operators, the cable is 36", all others are 48" May be right- or left-hand mounted	MFKF3R	MFKL3R
<b>Handle Only, for Max-Flex™ Variable Depth</b> NEMA 1, 3R, 12 Plastic NEMA 1, 3R, 12 Steel - epoxy coated NEMA 4, 4X Steel - chrome plated Solid color (all gray) Plastic <sup>Ⓞ</sup> NEMA 1, 3R, 12 Solid color (black handle) Steel epoxy coated <sup>Ⓞ</sup> NEMA 1, 3R, 12	MFHM3R MFHM3RS MFHM4X MFHM3RB MFHM3RSB	MFHM3R MFHM3RS MFHM4X MFHM3RB MFHM3RSB
<b>Breaker Operator Mechanism Only, for Max-Flex™</b>	MFMF	MFML
<b>Cable Only, for Max-Flex™ Variable Depth</b> 36" 48" 60" 72" 84" 96" 120" 144"	MFCF036 MFCF048 MFCF060 MFCF072 MFCF084 MFCF096 MFCF120 MFCF144	MFCM036 MFCM048 MFCM060 MFCM072 MFCM084 MFCM096 MFCM120 MFCM144
<b>Handle Auxiliary Switch</b> Form C (1NO - 1NC), early break <sup>Ⓞ</sup> 1 Aux. switch 2 Aux. switch	MFSA1 MFSA2	MFSLA1 MFSLA2

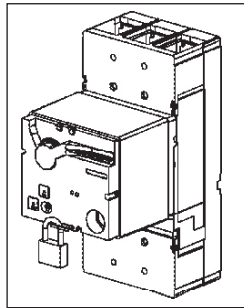
Ⓞ Max-Flex™ handles are available with solid gray or black handles instead of the customary "Red for On" flange handle. The black handle is preferred for IEC markets, where red handles have a specific meaning.  
 Ⓞ During manual operation, Early Break aux. contacts open before the breaker opens.

Description	For MG Frame 800 A	For NG Frame 1200 A	For PG Frame 1600 A
	Catalogue Number	Catalogue Number	Catalogue Number
<b>Variable Depth Flange Mounted Operator Kit</b> Adjustable from 8" to 16" Complete kit, includes handle and variable depth operator. NEMA 1, 3R, 12 NEMA 4X IEC Black Handle NEMA 1, 3R, 12 NEMA 4X	— — —	— — —	
<b>Max-Flex™, Variable Depth Flange Mounted Operator Kit</b> Complete kit, includes plastic handle, breaker operator, and cable. NEMA 1, 3R, 12 For DG and FG operators, the cable is 36", all others are 48" May be right- or left-hand mounted	<b>MFKM3R</b>	<b>MFKP3RS</b>	<b>MFKP3RS</b>
<b>Handle Only, for Max-Flex™ Variable Depth</b> NEMA 1, 3R, 12 Plastic NEMA 1, 3R, 12 Steel - epoxy coated NEMA 4, 4X Steel - chrome plated Solid color (all gray) Plastic <sup>Ⓞ</sup> NEMA 1, 3R, 12 Solid color (black handle) Steel epoxy coated <sup>Ⓞ</sup> NEMA 1, 3R, 12	<b>MFHM3R</b> <b>MFHM3RS</b> <b>MFHM4X</b>  <b>MFHM3RB</b>  <b>MFHM3RSB</b>	— <b>MFHP3RS</b> <b>MFHP4X</b>  —  <b>MFHP3RSB</b>	— <b>MFHP3RS</b> <b>MFHP4X</b>  —  <b>MFHP3RSB</b>
<b>Breaker Operator Mechanism Only, for Max-Flex™</b>	<b>MFMM</b>	<b>MFMP</b>	<b>MFMP</b>
<b>Cable Only, for Max-Flex™ Variable Depth</b> 36" 48" 60" 72" 84" 96" 120" 144"	<b>MFCM036</b> <b>MFCM048</b> <b>MFCM060</b> <b>MFCM072</b> <b>MFCM084</b> <b>MFCM096</b> <b>MFCM120</b> <b>MFCM144</b>	— <b>MFCP048</b> <b>MFCP060</b> <b>MFCP072</b> <b>MFCP084</b> <b>MFCP096</b> <b>MFCP120</b> <b>MFCP144</b>	— <b>MFCP048</b> <b>MFCP060</b> <b>MFCP072</b> <b>MFCP084</b> <b>MFCP096</b> <b>MFCP120</b> <b>MFCP144</b>
<b>Handle Auxiliary Switch</b> Form C (1NO - 1NC), early break <sup>Ⓞ</sup> 1 Aux. switch 2 Aux. switch	<b>MFSPA1</b> <b>MFSPA2</b>	<b>MFSPA1</b> <b>MFSPA2</b>	<b>MFSPA1</b> <b>MFSPA2</b>

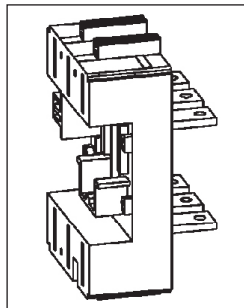
Ⓞ Max-Flex™ handles are available with solid gray or black handles instead of the customary "Red for On" flange handle.  
 The black handle is preferred for IEC markets, where red handles have a specific meaning.  
 Ⓞ During manual operation, Early Break aux. contacts open before the breaker opens.

# VL External Accessories

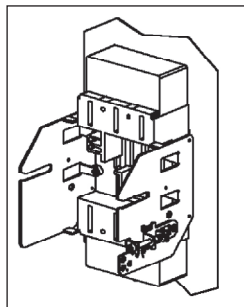
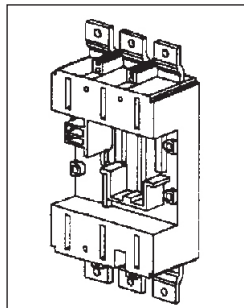
## Operating Mechanisms



Description	For DG to FG Frame 150 to 250 A	
	Catalogue Number	
<b>Stored Energy and Motor Operators</b> Lockable with up to 3 padlocks.		
AC Voltage   DC Voltage	Stored Energy Type	
—   24	SEAFB	
42-48   42-48	SEAFM	
60   60	SEAFY	
110-127   110-127	SEAFN	
220-250   220-250	SEAFR	
<b>Cylinder Locks for Field Installation</b>	CLKF	



Description	For DG Frame 150 A	For FG Frame 250 A
	Catalogue Number	Catalogue Number
<b>Plug-in Mounting Base Assembly</b> Includes base, terminal blade kit, sec. terminal block assembly, base trip interlock, and mounting hardware.		
<b>Rear Connected</b> 3-pole	PCBDRC3	PCBFRC3
<b>Front Connected</b> 3-pole	PCBDFC3	PCBFFC3
<b>Draw-out Assembly</b> Includes base, position indicator switch, socket, base trip interlock, crank handle, connectors, and necessary shields.		
<b>Rear Connected</b> 3-pole	DCADRC3	DCAFRC3
<b>Front Connected</b> 3-pole (Draw-out assembly includes side plates and all hardware)	DCADFC3	DCAFFC3
<b>Hex Wrench</b> for racking draw-out assembly and position indicator	DCHP	DCHP
<b>Position Indicator Switch</b> Form "C" switch to indicate breaker engaged/de-engaged position.Ⓢ	DCIP	DCIP
<b>Secondary Terminal Block Assy.</b> Accessory connections for plug-in or draw-out breakers. Pre-wired plug and block with 8 terminal points.Ⓢ	PCTF83	PCTF83
<b>Plug-In Spare Breaker Kit</b> Set of 6 terminal blades, 2 terminal shield, & 1 trip interlock	PCXD3	PCXF3
<b>Draw-out Spare Breaker Kit</b> Set of 6 terminal blades, & 1 trip interlock	DCXD3	DCXF3
<b>Spare Breaker Trip Interlock</b>	PCXFT	PCXFT



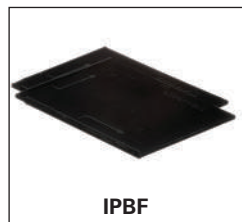
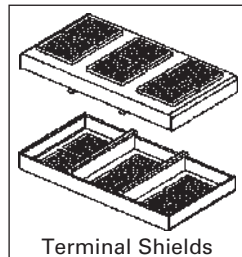
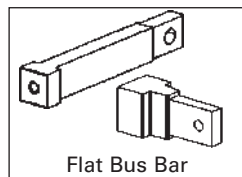
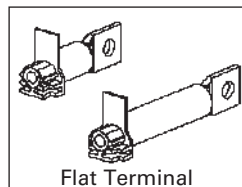
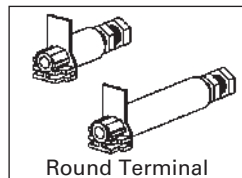
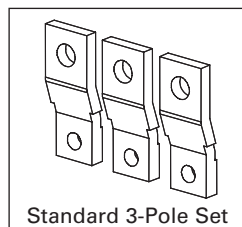
Ⓢ Up to 2 position indicator switches may be mounted per plug-in or draw-out base.

Ⓢ Up to 2 plugs per breaker (16 terminal points) may be mounted on DG, and FG breakers. Up to 3 plugs per breaker (24 terminal points) may be mounted on JG, LG, MG, NG, and PG breakers.



# VL External Accessories

## Connections



Description	For DG Frame 150 A	For FG Frame 250 A
	Catalog Number	Catalog Number
<b>Front Bus Bar Connections</b> Includes nut keeper plates and shield. Standard (straight) 3-Pole Set Bus Bar Connection Strap Kit Includes 6 - Bus Bars, 6 Nut Keepers & Shields 100% rated applications	FBCE3 — —	FBCE3 — —
<b>Rear-Connecting Studs</b> Short length round term. (1piece) Long length round term. (1piece) 3-Pole round term. kit, 2 short + 1 long Short length flat term. (1piece) Long length flat term. (1piece) 3-Pole flat term. kit, 2 short + 1 long Flat bus bar type (1 piece) 3-Pole set of flat bus bar	RTLDSR RTLDLR SRTDR3 RTLDSF RTLDLF SRTDF3 — —	RTLF3R RTLF3L SRTFR3 RTLF3F RTLF3L SRTFF3 — —
<b>Terminal Shields</b> Includes 2 terminal shields. 3-Pole Standard Shield 3-Pole Extended Shield	TSSF3 TSLF3	TSSF3 TSLF3
<b>Interphase Barriers</b> Set of 2 barriers Also fits plug-in and draw-out bases.	IPBF	IPBF
<b>Lug Mounting Assy.</b>	—	—
<b>Breaker Mounting Base</b> Front connected Rear connected	— —	— —



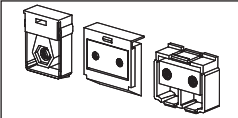
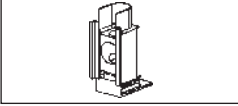

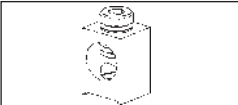
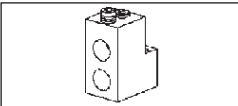

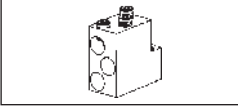
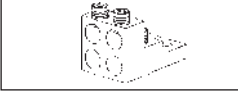
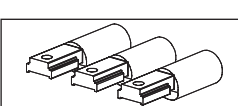

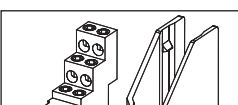
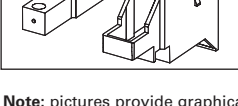
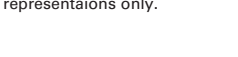
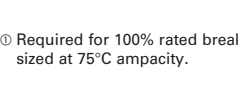

For JG Frame 400 A	For LG Frame 600 A	For MG Frame 800 A	For NG Frame 1200 A	For PG Frame 1600 A
Catalog Number	Catalog Number	Catalog Number	Catalog Number	Catalog Number
FBCJ3 —	FBCL3 —	FBCM3 —	SSBP SSBPH	SSBP SSBPH
RTLJSR RTLJLR SRTJR3 RTLJSF RTLJLF SRTJF3 — —	— — — — — — RTLLSF SRTL3F3	— — — — — — RTLMSF SRTMF3	— — — — — — RTLNSF SRTNF3	— — — — — — — —
TSSL3 TSLL3	— —	TSSM3 TSLM3	TSSP3 TSLP3	TSSP3 TSLP3
IPBM	IPBM	IPBM	IPBP	IPBP
—	—	—	—	LMAP1600®
— —	— —	— —	— —	MBPG1600 MBPG1601

Ⓢ Not for use with standard AI terminals. Use Standard Shield for rear connection and Extended Shield for bus-bar connection.

Ⓢ Kit includes connection for one side of breaker only. Order quantity 2 if connecting line and load side.

# VL External Accessories

## Connections

		For DG Frame 150 A	For FG Frame 250 A
	Description	Catalogue Number	Catalogue Number
	<b>Nut Keeper Plates</b> For ring/tongue terminal or bus bar connections. (For metric threads on other than the JG or LG frame, change "TNK" to "TMK") 1 Nut Keeper Plate Kit of 3	TNKD TNKD3	TNKF TNKF3
			
	<b>Mechanical Lugs</b> <i>Steel Wrap Around Body (Cu Wire Only)</i> Cable Size; (cables per phase) Single Lug Kit of 3	#8-1/0; 1-hole TW1DG20 3TW1DG20	#4-350 kcmil; 1-hole TW1FG350 3TW1FG350
	<i>Aluminum Body (Al or Cu Wire)</i> Cable Size; (cables per phase) Single Lug Kit of 2	#6-3/0; 1-hole TA1DG30 —	#4-350 kcmil; 1-hole TAW1FG350 —
	Kit of 3	3TA1DG30	3TAW1FG350
	Cable Size; (cables per phase) Single Lug Kit of 2 Kit of 3	— — —	— — —
	Cable Size; (cables per phase) Single Lug Kit of 3	— — —	— — —
	<i>Copper Body (Cu Wire Only)</i> Cable Size; (cables per phase) Single Lug Kit of 2	#6-3/0; 1-hole TC1DG30 <sup>①</sup> —	#4-350 kcmil; 1-hole TCW1FG350 <sup>①</sup> —
	Kit of 3	3TC1DG30 <sup>①</sup>	3TCW1FG350 <sup>①</sup>
	Cable Size; (cables per phase) Single Lug	— —	— —
	<b>Compression Lugs</b> Cable Size; (cables per phase) Kit of 2 Kit of 3	#14-2/0; 1-cable 2CLD20 3CLD20	#4-350 kcmil; 1-cable — 3CLF350
	Cable Size; (cables per phase) Kit of 2 Kit of 3	— —	— —
	Cable Size; (cables per phase) Kit of 3	— —	— —
	<b>Distribution Lugs (Cu Wire Only)</b> Cable Size; (cables per phase) Single Lug Kit of 3 Cable Size; (cables per phase) Single Lug Kit of 3	#14-#2; 3-hole TA3DG02 3TA3DG02 #14-#4; 6-hole TA6DG04 3TA6DG04	#14-#1; 2-hole and #14-2/0; 1-hole TA3FG20 3TA3FG20 #14-#4; 6-hole TA6FG04 3TA6FG04
	<b>Control Wire Terminals</b> Control Wire Terminal (Single) Control Wire Terminal (Kit of 3)	— —	— —

Note: pictures provide graphical representations only.

① Required for 100% rated breakers. Requires 90°C cable sized at 75°C ampacity.

For JG Frame 400 A	For LG Frame 600 A	For MG Frame 800 A	For NG Frame 1200 A	For PG Frame 1600 A
Catalogue Number	Catalogue Number	Catalogue Number	Catalogue Number	Catalogue Number
<b>TMKJ</b> <b>TMKJ3</b> <i>metric only</i>	<b>TNKL</b> <b>TNKL3</b>	<b>TNKM</b> <b>TNKM3</b>	<b>TNKP</b> <b>TNKP3</b>	<b>TNKP</b> <b>TNKP3</b>
1/0-600 kcmil; 1-hole <b>TW1JG600</b> <b>3TW1JG600</b>	— — —	— — —	— — —	— — —
3/0-250 kcmil; 2-hole <b>TA2JG250</b> — <b>3TA2JG250</b>  AL: 250-750 kcmil CU: 3/0-600 kcmil; 1-hole <b>TA1JG750</b> — <b>3TA1JG750</b> — — —	#2-600 kcmil; 2-hole — — <b>3TA2LG600LD</b> <sup>①</sup> <b>3TA2LG600LN</b> <sup>②</sup>  AL: 250-750 kcmil CU: 3/0-600 kcmil; 1-hole <b>TA1JG750</b> (400A max) — <b>3TA1JG750</b> (400A max) — — —	1/0-500 kcmil, 3-hole <b>TA3MG500</b> <b>3TA3MG500</b>  500 -750 kcmil; 2-hole <b>TA2MG750</b> — <b>3TA2MG750</b>  #2-600 kcmil; 3-hole — <b>3TA3MG600</b> <sup>④</sup>	1/0-500 kcmil; 4-hole — <b>2TA4NG500</b>  <b>3TA4NG500</b> <b>3TA4NG500H</b> <sup>⑤</sup>  500 -750 kcmil; 3-hole — <b>2TA3NG750</b> <b>3TA3NG750</b> — —	1/0-750 kcmil; 6-hole — — <b>3TA6PG750</b> <sup>⑥</sup>  600-750 kcmil; 4-hole <b>TA4P750</b> <sup>⑥</sup> —  300-600 kcmil; 5; 6-hole <b>TA5P600</b> <sup>⑥</sup> <b>TA6R600</b> <sup>⑥</sup> —
3/0-250 kcmil; 2-hole <b>TC2JG250</b> <sup>③</sup> — —  3/0-750 kcmil; 1-hole <b>TC1JG750</b> <sup>③</sup>	#2-600 kcmil; 2-hole — — <b>3TC2LG600LD</b> <sup>①③</sup> <b>3TC2LG600LN</b> <sup>②③</sup> — —	1/0-500 kcmil; 3-hole <b>TC3MG500</b> <sup>③</sup> — — — —	1/0-500 kcmil; 4-hole — — <b>3TC4NG500</b> <sup>③</sup> — —	— — — —  300-600 kcmil; 5-hole <b>TC5R600</b> <sup>③⑥</sup>
#6-350 kcmil; 1-cable — <b>3CLJ350</b>  250-600 kcmil; 1-cable <b>3CLJ600</b> — 250-750 kcmil; 1-cable <b>3CLJG750</b> —	#6-350 kcmil; 2-cable — <b>6CLL350</b> (kit of 6)  250-750 kcmil; 1-cable <b>3CLL750</b> — 250-600 kcmil; 2-cable <b>6CLL600</b> (kit of 6) —	— — — — — —	1/0-500 kcmil; 4-cable — <b>12CLN500</b> (kit of 12) — — — — —	— — — — — —
#14-#4; 12-hole <b>TA12JG04</b> <b>3TA12JG04</b> #14-2/0; 6-hole <b>TA6JG20</b> <b>3TA6JG20</b>	— — — — —	— — — — —	— — — — —	— — — — —
<b>TA2JG250PT</b> —	— <b>3TA2LG600LNPT</b>	<b>TA3MG500PT</b> —	— <b>3TA4NG500PT</b>	— —

All lug kits include the nut keepers.

① Mounted on Load Side Only.

② Mounted on Line Side Only.

③ Required for 100% rated breakers. Requires 90°C cable

sized at 75°C ampacity.

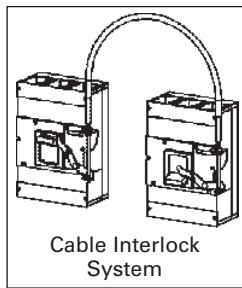
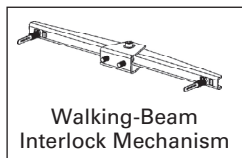
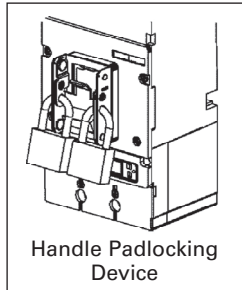
④ Requires extended modified shield.

⑤ Used only with LMAP1600 mounting base.

⑥ Used only with MBPG1600 or MBPG1601 mounting base.

# VL External Accessories

## General

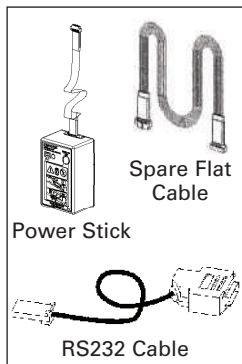
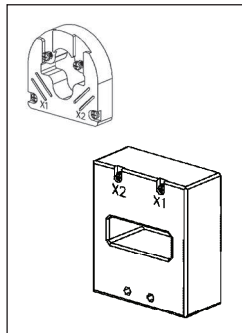


Description	For DG Frame 150 A	For FG Frame 250 A
	Catalogue Number	Catalogue Number
<b>Handle Padlocking Device</b> To padlock breaker toggle in the "OFF" position. Accepts up to 3 padlocks with 5–8 mm shackles.	HPLF	HPLF
<b>Handle Blocking Device</b> For holding the handle in the "ON" position. Not a lockout/tagout device.	HBDF	HBDF
<b>Walking-Beam Interlock Mechanism</b> Provides mechanical interlocking between two adjacent circuit breakers. Fixed mounted breakers Note: Both breakers must be of the same frame size.	WBMFFM	WBMFFM
<b>Cable Interlock Mechanism</b> Provides mechanical interlocking between 2 circuit-breakers - includes operator mechanism for one circuit breaker only. Combination with the next larger or smaller frame size is possible.	CBTF	CBTF
<b>Interlock Cable</b> Cable only, to connect 2 circuit breakers. Cable length 18 in. .46m (recommended up to 250A) Cable length 36 in. .91m (recommended from 400–800A) Cable length 54 in. 1.37m (recommended from 1200–1600A)	CBCF18 CBCM36 CBCP54	CBCF18 CBCM36 CBCP54
<b>Mounting Screw Kit</b> Includes the necessary hardware to mount a circuit breaker to the user's prepared surface Kit with 2 screws (SAE thread) Kit with 4 screws (SAE thread)	MSKF2 MSKF4	MSKF2 MSKF4
<b>Trip Adjustment Sealing Cover</b> Includes a trip unit cover to prevent tampering or adjustment of trip settings. Seal not included. Thermal-Magnetic Trip Units	TSCFTM	TSCFTM



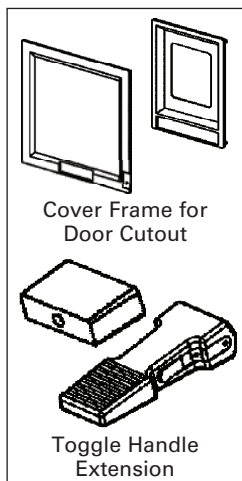
# VL External Accessories

## Ground Sensors & Electronic Accessories



Description	For DG Frame 150 A	For FG Frame 250 A
	Catalogue Number	Catalogue Number
<b>Neutral Current Transformer (Ground Sensor, N-pole)</b> Neutral = 35/60A Neutral = 100A Neutral = 150A Neutral = 250A Neutral = 400A Neutral = 600A Neutral = 800A Neutral = 1000/1200A Neutral = 1600A	NGSD060 NGSF100 NGSF150 — — — — — — —	— NGSF100 NGSF150 NGSJ250 — — — — — —
<b>Communications &amp; Electronics</b> Power Stick - Hand held, battery operated power supply for LCD trip units. (Requires two -9V batteries) For programming and trip testing only.	EPSP18V	EPSP18V
Com20 Profibus Communications Module with ZSI for electronic trip units (order cable separately)	COMPRO20	COMPRO020
Com21 Modbus Communications Module with ZSI for electronic trip units (order cable separately)	COMM021	COMM021
Cable for COM20/21 and power supply.....5ft. (1.5m)	COMKIT13	COMKIT13
Cable for COM20/21, 3.0m (9.8ft).	COMKIT6	COMKIT6
Spare flat cable for Test Kits	COMPCA	COMPCA
Addressing Plug - Assigns a field bus address without a PC by plugging into Com20/21	3UF79100AA00	3UF79100AA000

## Door Cutouts & Extensions



<b>Cover Frame for Door Cutout</b> For fixed or plug-in mounted circuit breakers. (IP30) 2-Pole & 3-Pole	BZLF3	BZLF3
For breakers with stored energy operator. (IP40)	BZLFRHSE	BZLFRHSE
Circuit-breaker draw-out mounted and toggle handle operated. Kit includes cover frame (bezel) and escutcheon as needed. (IP40) (not for use with rotary handle or stored energy operator)	BZLFBDC	BZLFBDC
<b>Toggle Handle Extension</b> For spare or replacement. (One is included with each NG - PG frame.)	—	—

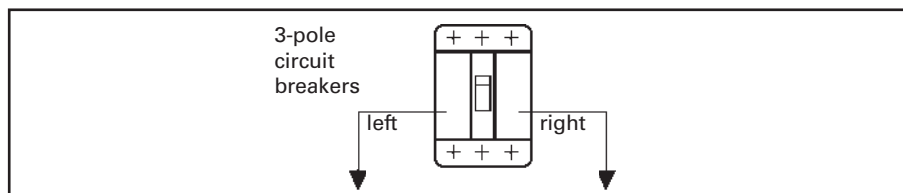
For JG Frame 400 A	For LG Frame 600 A	For MG Frame 800 A	For NG Frame 1200 A	For PG Frame 1600 A
Catalogue Number	Catalogue Number	Catalogue Number	Catalogue Number	Catalogue Number
— — — NGSJ250 NGSL400 — — — —	— — — — NGSL400 NGSM600 — — — —	— — — — — NGSM600 NGSN800 — — —	— — — — — — NGSN800 NGSP120 —	— — — — — — — NGSP120 NGSP160
EPSP18V	EPSP18V	EPSP18V	EPSP18V	EPSP18V
COMPRO20	COMPRO20	COMPRO20	COMPRO20	COMPRO20
COMMOD21	COMMOD21	COMMOD21	COMMOD21	COMMOD21
COMKIT4	COMKIT4	COMKIT5	COMKIT5	COMKIT5
COMKIT7	COMKIT7	COMKIT8	COMKIT8	COMKIT8
COMPCA	COMPCA	COMPCA	COMPCA	COMPCA
3UF79100AA000	3UF79100AA000	3UF79100AA000	3UF79100AA000	3UF79100AA000
BZLL3	BZLL3	BZLM3	BZLP3	BZLP3
BZLLRHSE	BZLLRHSE	BZLMRHSE	BZLPRHSE	BZLPRHSE
BZLLBDC	BZLLBDC	BZLMBDC	BZLPBDC	BZLPBDC
THEL	THEL	THEM	THEP	THEP



# VL Molded Case Circuit Breakers

## Accessory Locations

*Selection*



### Locations of Internally Mounted Accessories

Frame Family	Left Pocket	Right Pocket
<b>DG*, FG*, JG, LG 150 to 600A</b>	Up to 2 Auxiliary Switches + 1 Alarm Switch	Shunt Trip or UVR or up to 3 Auxiliary Switches or up to 2 Auxiliary Switches + 1 Alarm Switch
		Shunt Trip or UVR or up to 3 Auxiliary Switches or up to 2 Auxiliary Switches + 1 Alarm Switch
<b>MG, NG, PG 800 to 1600A</b>	Up to 4 Auxiliary Switches	Shunt Trip or UVR or up to 4 Auxiliary Switches
	Up to 2 Auxiliary Switches + 2 Alarm Switches	Shunt Trip or UVR or up to 4 Auxiliary Switches

\* Except DG and FG breakers with Electronic Trip Units. Due to the location of the Magnetic Latch, the Left Pocket is not available for accessories.

### Accessory Information

- Aux. Switch is an Auxiliary Switch, 1A or 1B contact
- Alarm Switch has 1A or 1B contact
- UVR is an Undervoltage Release
- The standard location for factory mounted Auxiliary and Alarm Switches is the Left Pocket

### Accessory Maximums

#### **DG, FG, JG, LG Maximum Accessories:**

- Maximum of six (6) switches total
- DG, FG Maximum of two (2) Alarm Switches, one each in the Left and Right Pockets. JG, LG Max. of 1 Alarm, Left only

#### **MG, NG, PG Maximum Accessories:**

- Maximum of eight (8) switches total
- Maximum of two (2) Alarm Switches, Left Pocket only

**5**

**MOLDED CASE  
CIRCUIT BREAKERS**

# VL Circuit Breakers

## Suffix for factory mounted Switch Combinations

*Selection*

If the frame is:	And you need these functions:	Then add this suffix:	Device Catalog Number
DG, FG, JG or LG	1 Alarm Switch 1 NO Alarm 1 NC Alarm	A1	ASKL1
DG, FG, JG or LG	2 Aux. Switches 1 NO + 1 NC Aux. Contacts	A2	ASKL2
DG, FG, JG or LG	2 Aux. + 1 Alarm Switches 1 NO + 1NC Aux. and 1 NC Alarm 2 NO Aux. and 1 NC Alarm	A3	ASKL3
MG, NG or PG	2 Aux. + 2 Alarm Switches 1 NO + 1 NC Aux. and 1 NO + 1 NC Alarm 2 NO Aux. and 2 NC Alarm 2 NC Aux. and 2 NO Alarm	A3	ASKP3
MG, NG or PG	4 Aux. Switches 2 NO + 2 NC Aux.	A4	ASKP4

## Suffix for factory mounted Shunt Trips

If the frame is:	And you need these functions:	Then add this suffix:	Device Catalog Number
DG, FG, JG or LG	24V DC 48-60V DC 110-127V DC "220-250V DC 48-60V AC" 110-127V AC 208-277V AC 380-600V AC	RB RC RD RE RM RN RS RV	STRLB24DC STRLC60DC STRLD125DC STRLE250DC STRLM60 STRLN120 STRLS277 STRLV600
MG, NG or PG	24V DC 48-60V DC 110-127V DC 220-250V DC 48-60V AC 110-127V AC 208-277V AC 380-600V AC	RB RC RD RE RM RN RS RV	STRPB24DC STRPC60DC STRPD125DC STRPE250DC STRPM60 STRPN120 STRPS277 STRPV600

## Suffix for factory mounted Undervoltage Releases

If the frame is:	And you need these functions:	Then add this suffix:	Device Catalog Number
DG, FG, JG or LG	12V DC 24V DC 48V DC 60V DC 110-127V DC 220-250V DC 24V AC 110-127V AC 220-240V AC 208V AC 277V AC 380-415V AC 440-480V AC	UA UB UC UG UD UE UK UN UR UP US UT UU	UVRLA12DC UVRLB24DC UVRLC48DC UVRLG60DC UVRLD125DC UVRLE250DC UVRL24 UVRLN120 UVRLR240 UVRLP208 UVRLS277 UVRLT415 UVRLU480
MG, NG or PG	12V DC 24V DC 48V DC 60V DC 110-127V DC 220-250V DC 110-127V AC 220-240V AC 208V AC 277V AC 380-415V AC 440-480V AC	UA UB UC UG UD UE UN UR UP US UT UU	UVRPA12DC UVRPB24DC UVRPC48DC UVRPG60DC UVRPD125DC UVRPE250DC UVRPN120 UVRPR240 UVRPP208 UVRPS277 UVRPT415 UVRPU480

# VL Technical Data

		DG	FG	JG	LG	MG	NG	PG
<b>Max rated continuous current</b>		150	250	400	600	800	1200	1600
Rated operational voltage								
NEMA	V AC	600	600	600	600	600	600	600
IEC	V AC	690	690	690	690	690	690	690
Rated impulse withstand voltage								
Main conducting paths	kV	8	8	8	8	8	8	8
Auxiliary circuits	kV	4	4	4	4	4	4	4
Ambient temperature range								
	°C	-25 to +75	-25 to +75	-25 to +75	-25 to +75	-25 to +75	-25 to +75	-25 to +75
High ambient derating (thermal-mag.)	50°C	93%	93%	93%	93%	95%	95%	95%
	60°C	86%	86%	86%	86%	86%	86%	80%
	70°C	80%	80%	80%	80%	80%	80%	74%
Operating cycles								
		20,000	20,000	20,000	10,000	5,000	3,000	3,000
Max switching rate (per hour)		120	120	120	60	60	30	30
Power loss (at max. rated current)								
Thermal-magnetic	W	15 – 48	32 – 80	60 – 175	85 – 230	170 – 250	150 – 220	200 – 260
Electronic trip unit	W	40	60	90	160	250	210	260
IEC ①								
Time constant t = 10 ms								
1 current path		—	—	—	—	—	—	—
2 current paths in series		—	—	—	—	—	—	—
3 current paths in series		—	—	—	—	—	—	—
Up to 250V DC		—	—	—	—	—	—	—
Up to 440V DC		—	—	—	—	—	—	—
Up to 600V DC		—	—	—	—	—	—	—
NEMA								
Time constant t = 8 ms								
2 poles switching		30	30	30	30	42	42	42
1 current path								
250V DC max.②								
3 poles switching		18	25	35	35	65	65	65
2 current paths in series								
500V DC max.②								
<b>Accessories</b>								
Auxiliary/Alarm switch								
Current rating (1 or 2 switches)		10	10	10	10	10	10	10
Current rating (3 or 4 same switch)	A	5	5	5	5	5	5	5
Shunt trip								
Pick-up voltage	V	0.7 – 1.1	0.7 – 1.1	0.7 – 1.1	0.7 – 1.1	0.7 – 1.1	0.7 – 1.1	0.7 – 1.1
Power consumption (short-time) at:								
48 – 60 V AC	VA	158 – 200	158 – 200	158 – 200	158 – 200	380 – 480	380 – 480	380 – 480
110 – 127 V AC	VA	136 – 158	136 – 158	136 – 158	136 – 158	302 – 353	302 – 353	302 – 353
208 – 277 V AC	VA	274 – 350	274 – 350	274 – 350	274 – 350	330 – 439	330 – 439	330 – 439
380 – 600 V AC	VA	158 – 237	158 – 237	158 – 237	158 – 237	243 – 384	243 – 384	243 – 384
24 V DC	W	110	110	110	110	360	360	360
48 – 60 V DC	W	110 – 172	110 – 172	110 – 172	110 – 172	512 – 820	512 – 820	512 – 820
110 – 127 V DC	W	220 – 254	220 – 254	220 – 254	220 – 254	302 – 353	302 – 353	302 – 353
220 – 250 V DC	W	97 – 110	97 – 110	97 – 110	97 – 110	348 – 397	348 – 397	348 – 397
Max. operating time	ms	50	50	50	50	50	50	50

① Consult Siemens for short circuit values.

② Review individual frame and type values.

5

MOLDED CASE  
CIRCUIT BREAKERS

# VL Technical Data

Undervoltage trip		DG	FG	JG	LG	MG	NG	PG
Drop voltage (percentage)	V	35% – 70%	35% – 70%	35% – 70%	35% – 70%	35% – 70%	35% – 70%	35% – 70%
Pick-up voltage (percentage)	V	70% – 85%	70% – 85%	70% – 85%	70% – 85%	70% – 85%	70% – 85%	70% – 85%
Power consumption (continuous) at:								
110 – 127 V AC	VA	1.5	1.5	1.5	1.5	1.1	1.1	1.1
220 – 250 V AC	VA	1.5	1.5	1.5	1.5	2.1	2.1	2.1
208 V AC	VA	1.8	1.8	1.8	1.8	2.2	2.2	2.2
277 V AC	VA	2.1	2.1	2.1	2.1	1.6	1.6	1.6
380 – 415 V AC	VA	1.6	1.6	1.6	1.6	2.0	2.0	2.0
440 – 480 V AC	VA	1.8	1.8	1.8	1.8	2.3	2.3	2.3
500 – 525 V AC	VA	2.5	2.5	2.5	2.5	2.9	2.9	2.9
Max. opening time	ms	50	50	50	50	50	50	50
<b>Motorized operating mechanism</b>								
Motor with stored energy mechanism (synchronizable)		X	X	X	X	X	—	—
Motor Operator						—	X	X
Max. switching rate (per hour)		120	120	120	60	60	30	30
Command duration	ms	20 – 50	20 – 50	20 – 50	20 – 50	20 – 50	50	50
Closing time	ms	<100	<100	<100	<100	<100	<5,000	<5,000
Charging time	s	<5	<5	<5	<5	<5	<5	<5
Break time	s	<5	<5	<5	<5	<5	<5	<5
Power consumption	VA/W	<100	<100	<100	<100	<250	<250	<250
Control voltages 24 V DC								
42 – 48 V AC / DC								
60 V AC / DC								
110 – 127 V AC / DC								
220 – 250 V AC / DC								
Operating range: 85 – 110% of rated control voltage								

# Technical Data

## Unusual Operating Conditions

Reference

**Note:** The information provided on this and the next page is intended for reference and recommendation only. Because several variables can act on a circuit breaker's performance at the same time, the data below is based less on controlled testing, than on experience and engineering judgment. Contact Siemens for further information on special conditions and treatment.

### High Ambient Temperatures

Because thermal-magnetic trip breakers are temperature sensitive and calibrated for a specific ambient of 40° C (104° F) (average enclosure temperature), a higher ambient will cause the breaker to trip at lower current than its nameplate rating, in other words, causing the breaker to "derate" (see Table 1). Similarly, the current carrying capacity of a circuit conductor is based upon a certain ambient temperature, a higher ambient will reduce its current carrying capacity, causing it to "derate." Thus, with a fluctuating temperature, a thermal-magnetic breaker will derate nearly parallel with its connected circuit conductors and maintain close circuit protection. If the application temperature exceeds 40° C (104° F) and is known, either a breaker specially calibrated for the higher ambient or one oversized according to Table 1 may be selected. In a case such as this, the circuit conductors should be oversized as well.

Siemens Electronic Trip Unit Breakers are insensitive to temperature changes. However, they do include circuitry to protect the components from abnormally high temperatures.

### Altitude

Reduced air density at altitudes greater than 6600 ft. (2000 meters) affects the ability of a molded case circuit breaker to transfer heat and interrupt faults. Therefore, circuit breakers applied at these altitudes should have interrupting, insulation and continuous currents derated as indicated in Figure 1.

Table 1 – Temperature derating date for thermal-magnetic breakers

Reference Ampere Rating at 40° C (104° F)	Ampere Rating at:			Siemens Breaker Frames
	25° C (77° F)	50° C (122° F)	60° C (140° F)	
50	55	46	42	DG
60	66	56	52	
70	77	65	60	
90	99	84	78	
100	110	94	87	
125	137	114	100	
150	165	136	120	
175	192	159	140	
200	220	182	160	
225	247	205	180	
250	275	235	220	
300	330	276	252	
350	385	325	301	
400	440	372	340	
500	550	468	435	
600	660	564	525	
700	770	658	613	
800	880	754	704	
900	990	828	749	
1000	1100	900	825	
1200	1320	1090	1000	
1400	1540	1304	1148	
1600	1760	1500	1320	

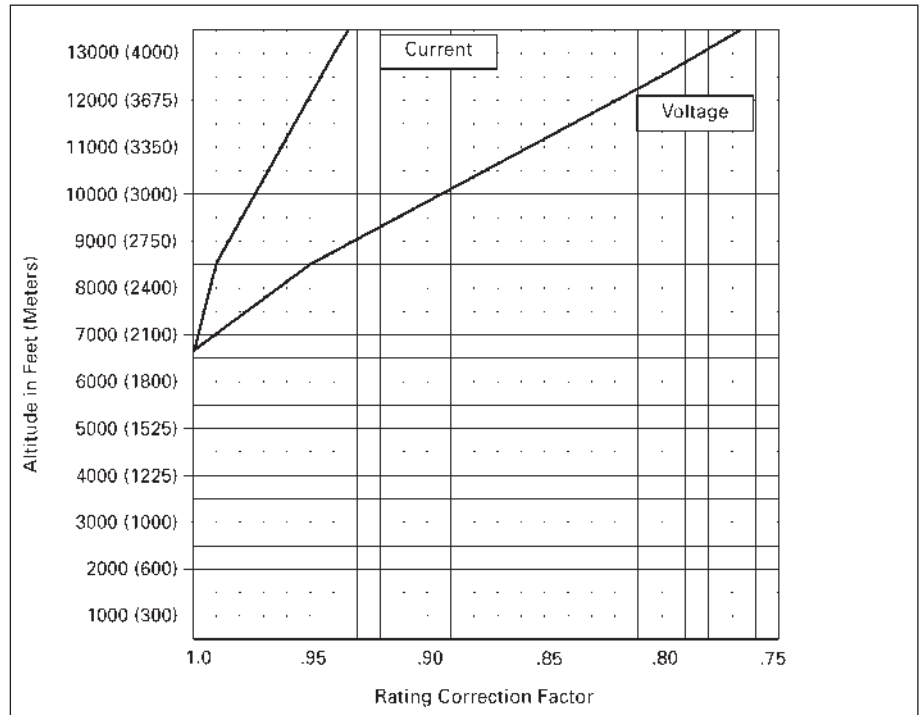


Figure 1 – Altitude adjustment

# Technical Data

## Unusual Operating Conditions

Reference

### Unusual Operating Conditions 400 Hz Systems

#### Circuit Breaker Derating Required

This table lists the maximum continuous current carrying capacity for Siemens breakers at 400Hz. Due to the increased resistance of the copper sections resulting from the skin effect produced by eddy currents at these frequencies, circuit breakers in many cases require derating. The thermal derating on these devices is based upon 100%, three phase application in open air in a maximum of 40°C (104° F) with 48 in. (1219 mm) of the specified cable or bus at the line and load side. Additional derating of not less than 20% will be required if the circuit breaker is to be utilized in an enclosure. Further derating may be required if the enclosure ambient temperature exceeds 40°C(104° F).

#### Cable and Bus Sizing

The cable and bus sizes to be utilized at 400Hz are not based on standard National Electric Codes tables for 60Hz application. Larger cross sections are necessary at 400Hz. All bus bars specified are based upon mounting the bars in the vertical plane to allow maximum air flow. All bus bars are spaced at a minimum of 0.25 in. (6 mm) apart. Mounting of bus bars in the horizontal plane will necessitate additional drafting. Edgewise orientation of the bus may change the maximum ratings indicated. If additional information is required for other connections of cable or bus, contact Siemens for information.

#### Application Recommendations

It is recommended that temperatures be measured on the line and load terminals or T-connectors of the center pole. These are usually the hottest terminals with a balanced load. A maximum temperature of 75°C (35°C over a maximum ambient of 40°C) would verify the particular application. Temperature profiles taken on these breakers can be correlated to ensure that the hottest points within the breaker are within the required temperature limits.

#### Interrupting Rating

Circuit breakers used in 400 Hz systems are limited to a 5000 A interrupting rating. If higher ratings are required, consult Siemens.

Breaker type	Maximum continuous ampere rating at 40°C (104°F)®			75°C (167F) Copper cable per pole	
	60HZ		400HZ	No of pieces	Wire size
	Open air	Open air®	Enclosed after derating		
DG	50	48	38	1	#8
	60	57	46	1	#6
	70	63	50	1	#4
	80	72	58	1	#4
	90	80	64	1	#3
	100	90	72	1	#3
	110	95	75	1	#2
	125	105	84	1	#1
FG	150	125	100	1	#1/0
	100	90	72	1	#3
	110	95	75	1	#2
	125	105	84	1	#1
	150	125	100	1	#1/0
	175	140	112	1	#2/0
	200	160	128	1	#3/0
	225	180	144	1	#4/0
JG	250	200	160	1	250 kcmil
	250	210	168	1	250 kcmil
	300	240	192	1	350 kcmil
	350	260	208	1	500 kcmil
JG 100% Rated	400	300	240	2	#2/0
	250	210	210	1	250 kcmil
	300	240	240	1	350 kcmil
	350	260	260	1	500 kcmil
LG	400	300	300	2	#3/0
	400	300	240	2	#3/0
	500	375	300	2	250 kcmil
	600	420	336	2	350 kcmil

Breaker type	Maximum continuous ampere rating at 40°C (104°F)®			75°C (167F) Copper cable per pole	
	60HZ		400HZ	No of pieces	Wire size
	Open air	Open air®	Enclosed after derating		
LG	400	300	240	2	#3/0
	500	375	300	2	250 kcmil
	600	420	336	2	350 kcmil
	600	430	360	2	350 kcmil
MG	700	500	400	3	250 kcmil
	800	560	448	3	300 kcmil
MG 100% Rated	600	430	430	2	350 kcmil
	700	500	500	3	250 kcmil
NG	800	560	560	3	300 kcmil
	900	600	448	3	300 kcmil
	1000	650	480	3	350 kcmil
	1200	780	624	4	400 kcmil
NG 100% Rated	900	600	600	3	350 kcmil
	1000	650	650	3	400 kcmil
	1200	780	780	4	350 kcmil
	1200	780	624	4	400 kcmil
PG	1400	850	680	4	500 kcmil
	1600	960	768	5	500 kcmil
	1200	780	780	4	400 kcmil
PG 100% Rated	1400	850	850	4	500 kcmil
	1600	960	960	5	500 kcmil

® The information provided on this page is intended for reference and recommendation only. Because several variables can act on a circuit breaker's performance at the same time, the data above is based less on controlled testing, than on experience and engineering

judgment. Contact Siemens for further information on special conditions and treatment.

® Additional derating may be required if the ambient temperature is greater than 40°C (104°F).

® Calculated after derating to compensate for the heating of the copper conductor, caused by the skin effect generated by eddy currents produced at 400/415HZ.

# Molded Case Circuit Breakers

## Series Connected Short Circuit Ratings

*General*

The term "Series Connected Short Circuit Rating" refers to the application of series circuit breakers in a combination that allows downstream breakers to have lower individual interrupting ratings than the available fault current.

This is permitted as long as the series combination has been tested and certified by CSA.

The tables on these pages list specific main and branch breaker combinations that may be used for the short circuit interrupting ratings shown.

No substitutions are permitted. All combinations shown have been tested and are CSA Certified. This information is provided as a reference tool only.

### 240V Series Ratings

Series Rating	Main Breaker		Branch Breaker				
	Max. Amps	Type	Type	Poles	Amps	Volts	
22,000	70 125 100	QPH,BQH,BLH 70(1P) 125(2P) 100(3P)	QP,BQ,BL	1	15-70	120/240	
				2	15-125	120/240	
				2	15-125	240	
				3	15-100	240	
			QT	1,2	15-50	120/240	
			QPF,BQF,BLF	1	15-30	120	
			QE,BE,BLE	1	15-30	120	
			QPF2,BLF2	1	15-30	120	
			QAF,BQAF,BAF	1	15-20	120	
			QAF2,BAF2	1	15-20	120	
			QFGA2,BFGA2	1	15-20	120	
			QPF,BLF	2	15-60	120/240	
		QE,BLE	2	15-60	120/240		
		QAF,BAF	2	15-20	120/240		
		QPH,BQH,BLH 100(3P)	EQ967# (2P)	QP,BQ,BL	1	15-70	120/240
		2			15-125	120/240	
		QT			1,2	15-50	120/240
		QPF,BQF,BLF			1	15-30	120
	QPF,BLF,SPF	2			15-60	120/240	
	QE,BE,BLE	1			15-30	120	
	2	15-60	120/240				
	QAF,BQAF,BAF	1	15-20	120			
	QAF,BAF	2	15-20	120/240			
	QAF2,BAF2	1	15-20	120			
	200	EQ968# (2P)	QP,BQ,BL	1	15-70	120/240	
				2	15-125	120/240	
				QT	1,2	15-50	120/240
				QPF,BQF,BLF	1	15-30	120
				QPF,BLF	2	15-60	120/240
				QE,BE,BLE	1	15-30	120
			2	15-60	120/240		
			QPF2,BLF2	1	15-30	120	
			QAF,BQAF,BAF	1	15-20	120	
			QAF,BAF	2	15-20	120/240	
			QAF2,BAF2	1	15-20	120	
			QFGA2,BFGA2	1	15-20	120	
		QNH,QNRH (2P)	QP,BQ,BL	1	15-70	120/240	
				2	15-125	120/240	
				QT	1,2	15-50	120/240
				QPF,BQF,BLF	1	15-30	120
				QPF,BLF	2	15-60	120/240
				QE,BE,BLE	1	15-30	120
2			15-60	120/240			
QPF2,BLF2			1	15-30	120		
QAF,BQAF,BAF			1	15-20	120		
QAF,BAF			2	15-20	120/240		
QAF2,BAF2			1	15-20	120		
QFGA2,BFGA2			1	15-20	120		

### 240V Series Ratings (Continued)

Series Rating	Main Breaker		Branch Breaker				
	Max. Amps	Type	Type	Poles	Amps	Volts	
22,000	225	QPPH (2P)	QP,BQ,BL	1	15-70	120/240	
			2	15-125	120/240		
			QT	1,2	15-50	120/240	
			QPF,BQF,BLF	1	15-30	120	
			QPF,BLF	2	15-60	120/240	
			QE,BE,BLE	1	15-30	120	
			2	15-60	120/240		
			QPF2,BLF2	1	15-30	120	
			QAF,BQAF,BAF	1	15-20	120	
			QAF,BAF	2	15-20	120/240	
			QAF2,BAF2	1	15-20	120	
			QFGA2,BFGA2	1	15-20	120	
			QPP	2	125-200	120/240	
			EQ948#	2	125-200	120/240	
			QJH2 (2, 3P)	QP,BQ,BL	1	15-70	120/240
					2	15-125	120/240
		2			15-125	240	
		QT			1,2	15,20,40	120/240
		QPF,BQF,BLF		1	15-30	120	
		QPF,BLF		2	15-60	120/240	
		QE,BE,BLE		1	15-30	120	
		2		15-60	120/240		
		250	QJH2 (3P)	QP,BQ,BL	3	60-100	240
				QRH2 (2, 3P)	QP,BQ,BL	1	15-70
	2				15-125	120/240	
	2				15-125	240	
	QT		1,2		15-50	120/240	
	QPF,BQF,BLF		1	15-30	120		
	QPF,BLF		2	15-60	120/240		
	QE,BE,BLE		1	15-30	120		
	2	15-60	120/240				
	QPF2,BLF2	1	15-30	120			
	QAF,BQAF,BAF	1	15-20	120			
	QAF,BAF	2	15-20	120			
	QAF2,BAF2	1	15-20	120			
	QFGA2,BFGA2	1	15-20	120			
	42,000	225	QJ2H (2, 3P)	QP,BQ,BL	1	15-70	120/240
				2	15-125	120/240	
				QPH	1	15-70	120/240
				2	15-125	120/240	
				BQH,BLH	1	15-70	120/240
				2	15-125	120/240	
EQ967#		2	100-125	120/240			
QJH2		2	60-225	240			
QJ2H (3P)		QP,BQ,BL	3	60-100	240		
		QPH	3	15-100	240		
		BQH,BLH	3	15-100	240		
		QJH2	3	60-225	240		



# Molded Case Circuit Breakers

## Series Connected Short Circuit Ratings

General

### 240V Series Ratings (Continued)

### 240V Series Ratings (Continued)

Series Rating	Main Breaker		Branch Breaker				
	Max. Amps	Type	Type	Poles	Amps	Volts	
65,000	70	HQPHBQ,HBL 70(1P)	QP,BQ,BL	1	15-70	120/240	
			QPH	1	15-70	120/240	
			BQH,BLH	1	15-70	120/240	
			QT	1	15-50	120/240	
	125	HQPHBQ,HBL 125(2P)	QP,BQ,BL	1	15-70	120/240	
				2	15-125	120/240	
			QPH	1	15-70	120/240	
				2	15-125	120/240	
			BQH,BLH	1	15-70	120/240	
				2	15-125	120/240	
EQ967#	2	100-125	120/240				
100	HQPHBQ,HBL 100(3P)	QP,BQ,BL	1	15-70	120/240		
			2	15-100	120/240		
			2	15-100	240		
			3	15-100	240		
			QPH	1	15-70	120/240	
				2	15-100	120/240	
		3		15-100	240		
		BQH,BLH	1	15-70	120/240		
			2	15-100	120/240		
			3	15-100	240		
		125 100	HQPHBQ,HBL 125(2P) 100(3P)	QT	1,2	15-50	120/240
				QPF,BLF	2	15-60	120/240
QE,BLE	2			15-60	120/240		
QPHF,BLHF	2			15-60	120/240		
QEH,BLEH	2			15-60	120/240		
70 125 100	HQPHBQ,HBL 70(1P) 125(2P) 100(3P)	QPF,BQF,BLF	1	15-30	120		
		QE,BE,BLE	1	15-30	120		
		QPHF,BQHF	1	15-30	120		
		BLHF	1	15-30	120		
		QEH,BLEH	1	15-30	120		
		QPF2,BLF2	1	15-30	120		
		QPHF2,BLHF2	1	15-30	120		
		QAF,BQAF,BAF	1	15-20	120		
		QAFH,BQAFH	1	15-20	120		
		BAFH	1	15-20	120		
		QAF2,BAF2	1	15-20	120		
		QAFH2,BAFH2	1	15-20	120		
		QFGA2,BFGA2	1	15-20	120		
		QFGAH2,BFGAH2	1	15-20	120		
100	ED4 (1P)	QP,BQ,BL	1	15-70	120		
		QPH	1	15-70	120		
		BQH,BLH	1	15-70	120		
		QT	1	15-50	120		
		QPF,BQF,BLF	1	15-30	120		
		QE,BE,BLE	1	15-30	120		
		QPHF,BQHF	1	15-30	120		
		BLHF	1	15-30	120		
		QEH,BLEH	1	15-30	120		
		QPF2,BLF2	1	15-30	120		
		QPHF2,BLHF2	1	15-30	120		
		QAF,BQAF,BAF	1	15-20	120		
		QAFH,BQAFH	1	15-20	120		
		BAFH	1	15-20	120		
		QAF2,BAF2	1	15-20	120		
		QAFH2,BAFH2	1	15-20	120		
		QFGA2,BFGA2	1	15-20	120		
		QFGAH2,BFGAH2	1	15-20	120		
		ED2	1	15-100	120		
		125	ED4,ED6 (2, 3P)	QP,BQ,BL	1	15-70	120/240
					2	15-125	120/240
					2	15-125	240

Series Rating	Main Breaker		Branch Breaker					
	Max. Amps	Type	Type	Poles	Amps	Volts		
65,000	125	ED4,ED6 (2, 3P)	QPH	1	15-70	120/240		
				2	15-125	120/240		
			BQH,BLH	1	15-70	120/240		
				2	15-125	120/240		
			QT	1,2	15-50	120/240		
			QPF,BQF,BLF	1	15-30	120		
			QPF,BLF	2	15-60	120/240		
			QE,BE,BLE	1	15-30	120		
			QE,BLE	2	15-60	120/240		
			QPHF,BQHF	1	15-30	120		
			QPHF,BLHF	2	15-60	120/240		
			BLHF	1	15-30	120		
			QEH,BLEH	1	15-30	120		
			2	15-60	120/240			
			QPF2,BLF2	1	15-30	120		
			QPHF2,BLHF2	1	15-30	120		
			QAF,BQAF,BAF	1	15-20	120		
			QAFH,BQAFH	1	15-20	120		
			BAFH	1	15-20	120		
			QAF2,BAF2	1	15-20	120		
			QAFH2,BAFH2	1	15-20	120		
			QFGA2,BFGA2	1	15-20	120		
			QFGAH2,BFGAH2	1	15-20	120		
			ED2	1	15-100	120		
			2	15-100	240			
			ED4,ED6 (3P)	QP,BQ,BL	3	15-100	240	
				QPH	3	15-100	240	
				BQH,BLH	3	15-100	240	
				ED2	3	15-100	240	
			150	NDGA,NDGB (2, 3P)	QPH,BQH,BLH	1	15-70	120/240
						2	15-125	120/240
			NDGA,NDGB (3P)	QPH,BQH,BLH	3	15-100	240	
			200	HQN,HQNR (2P)	QP,BQ,BL	1	15-70	120/240
						2	15-125	120/240
					QPH,BQH,BLH	1	15-70	120/240
						2	15-125	120/240
					QT	1,2	15-50	120/240
					QPF,BQF,BLF	1	15-30	120
					QPF,BLF	2	15-60	120/240
					QE,BE,BLE	1	15-30	120
2	15-60	120/240						
QPHF,BQHF	1	15-30			120			
QPHF,BLHF	2	15-60			120/240			
BLHF	1	15-30			120			
QEH,BLEH	1	15-30			120			
2	15-60	120/240						
QPF2,BLF2	1	15-30			120			
QPHF2,BLHF2	1	15-30			120			
QAF,BQAF,BAF	1	15-20			120			
QAFH,BQAFH	1	15-20			120			
BAFH	1	15-20			120			
QAF2,BAF2	1	15-20			120			
QAFH2,BAFH2	1	15-20			120			
QFGA2,BFGA2	1	15-20			120			
QFGAH2,BFGAH2	1	15-20			120			
EQ967#	2	100-125			120/240			
EQ968#	2	150-200			120/240			
225	HQPP (2P)	QP,BQ,BL			1	15-70	120/240	
					2	15-125	120/240	
		QPH			1	15-70	120/240	
			2	15-125	120/240			

# Molded Case Circuit Breakers

## Series Connected Short Circuit Ratings

General

240V Series Ratings (Continued)

240V Series Ratings (Continued)

Series Rating	Main Breaker		Branch Breaker				
	Max. Amps	Type	Type	Poles	Amps	Volts	
65,000	225	HQPP (2P)	BQH,BLH	1	15-70	120/240	
				2	15-125	120/240	
			QT	1,2	15-50	120/240	
			QPF,BQF,BLF	1	15-30	120	
			QPF,BLF	2	15-60	120/240	
			QE,BE,BLE	1	15-30	120	
			QE,BLE	2	15-60	120/240	
			OPHF,BQHF	1	15-30	120	
			OPHF,BLHF	2	15-60	120/240	
			BLHF	1	15-30	120	
			QEH,BLEH	1	15-30	120	
				2	15-60	120/240	
			QPF2,BLF2	1	15-30	120	
			QPHF2,BLHF2	1	15-30	120	
			QAF,BQAF,BAF	1	15-20	120	
			QAFH,BQAFH	1	15-20	120	
			BAFH	1	15-20	120	
			QAF2,BAF2	1	15-20	120	
			QAFH2,BAFH2	1	15-20	120	
			QFGA2,BFGA2	1	15-20	120	
			QFGAH2,BFGAH2	1	15-20	120	
			EQ967#	2	100-125	120/240	
			QPP	2	125-200	120/240	
			QPPH	2	125-200	120/240	
			EQ968#	2	150-200	120/240	
			EQ978# (2P)	QP,BQ,BL	1	15-70	120/240
					2	15-125	120/240
				QPH	1	15-70	120/240
					2	15-125	120/240
				BQH,BLH	1	15-70	120/240
				2	15-125	120/240	
		QT		1,2	15-50	120/240	
		QPF,BQF,BLF		1	15-30	120	
		QPF,BLF		2	15-60	120/240	
		QE,BE,BLE		1	15-30	120	
		QE,BLE		2	15-60	120/240	
		OPHF,BQHF		1	15-30	120	
		OPHF,BLHF		2	15-60	120/240	
		BLHF		1	15-30	120	
		QEH,BLEH		1	15-30	120	
				2	15-60	120/240	
		QPF2,BLF2		1	15-30	120	
		QPHF2,BLHF2		1	15-30	120	
		QAF,BQAF,BAF		1	15-20	120	
		QAFH,BQAFH		1	15-20	120	
		BAFH		1	15-20	120	
		QAF2,BAF2		1	15-20	120	
		QAFH2,BAFH2		1	15-20	120	
		QFGA2,BFGA2		1	15-20	120	
		QFGAH2,BFGAH2		1	15-20	120	
		EQ967#		2	100-125	120/240	
		QPP		2	125-200	120/240	
		QPPH		2	125-200	120/240	
		EQ968#		2	150-200	120/240	
		HQJ2 (3P)		QP,BQ,BL	1	15-70	120/240
				2	15-125	120/240	
				3	15-100	240	
			QPH,BQH,BLH	1	15-70	120/240	
				2	15-125	120/240	
				3	15-100	240	
			QT	1,2	15-50	120/240	
			QPF,BQF,BLF	1	15-30	120	

Series Rating	Main Breaker		Branch Breaker			
	Max. Amps	Type	Type	Poles	Amps	Volts
65,000	225	HQJ2 (3P)	QPF,BLF	2	15-60	120/240
			QE,BE,BLE	1	15-30	120
			QE,BLE	2	15-60	120/240
				1	15-30	120
			OPHF,BLHF	2	15-60	120/240
			QEH,BLEH	1	15-30	120
				2	15-60	120/240
			QPF2,BLF2	1	15-30	120
			QPHF2,BLHF2	1	15-30	120
			QAF,BQAF,BAF	1	15-20	120
			QAF,BAF	2	15-20	120/240
			QAFH,BQAFH	1	15-20	120
			QAFH,BAFH	2	15-20	120/240
			BAFH	1	15-20	120
			QAF2,BAF2	1	15-20	120
			QAFH2,BAFH2	1	15-20	120
			QFGA2,BFGA2	1	15-20	120
			QFGAH2,BFGAH2	1	15-20	120
				1	15-70	120/240
			QP,BQ,BL	2	15-125	120/240
				2	15-125	240
				1	15-70	120
			QPH,BQH,BLH	2	15-125	120/240
				2	15-125	240
			QT	1,2	15-50	120/240
			QPF,BQF,BLF	1	15-30	120
			QPF,BLF	2	15-60	120/240
			QE,BE,BLE	1	15-30	120
			QE,BLE	2	15-60	120/240
			OPHF,BQHF	1	15-30	120
		OPHF,BLHF	2	15-60	120/240	
		BLHF	1	15-30	120	
		QEH,BLEH	1	15-30	120	
			2	15-60	120/240	
		QPF2,BLF2	1	15-30	120	
		QPHF2,BLHF2	1	15-30	120	
		QAF,BQAF,BAF	1	15-20	120	
		QAF,BAF	2	15-20	120/240	
		QAFH,BQAFH	1	15-20	120	
		QAFH,BAFH	2	15-20	120/240	
		BAFH	1	15-20	120	
		QAF2,BAF2	1	15-20	120	
		QAFH2,BAFH2	1	15-20	120	
		QFGA2,BFGA2	1	15-20	120	
		QFGAH2,BFGAH2	1	15-20	120	
		QR2,QRH2	2	100-250	240	
		HQR2 (2, 3P)	QP,BQ,BL	3	15-100	240
			QPH,BQH,BLH	3	15-100	240
			QR2,QRH2	3	100-250	240
		HQR2 (3P)	NFGA,NFGB (2, 3P)	1	15-70	120/240
				2	15-125	120/240
		NFGA,NFGB (3P)	QPH,BQH,BLH	3	15-100	240
		FD6-A,FXD6-A (2, 3P)	QP,BQ,BL	1	15-70	120/240
				2	15-125	120/240
			QPH	1	15-70	120/240
				2	15-125	120/240
			BQH,BLH	1	15-70	120/240
				2	15-125	120/240
			QPPH	2	125-225	120/240
			QJ2	2	60-225	240
		QJH2		2	60-225	240
			QJ2H	2	60-225	240

5 MOLDED CASE CIRCUIT BREAKERS

# Molded Case Circuit Breakers

## Series Connected Short Circuit Ratings

General

### 240V Series Ratings (Continued)

### 240V Series Ratings (Continued)

Series Rating	Main Breaker		Branch Breaker					
	Max. Amps	Type	Type	Poles	Amps	Volts		
250	FD6-A,FXD6-A (2, 3P)		QR2,QRH2	2	100-250	240		
			QP,BQ,BL	1	15-70	120/240		
				2	15-125	120/240		
			QPH	1	15-70	120/240		
				2	15-125	120/240		
			BQH,BLH	1	15-70	120/240		
				2	15-125	120/240		
			QPPH	2	125-225	120/240		
			QJ2	2	60-225	240		
			QJH2	2	60-225	240		
			QJ2H	2	60-225	240		
			FD6-A,FXD6-A (3P)		QP,BQ,BL	3	15-100	240
					QPH	3	15-100	240
					BQH,BLH	3	15-100	240
	QJ2	3			60-225	240		
	QJH2	3			60-225	240		
	QJ2H	3			60-225	240		
	QR2,QRH2	3			100-250	240		
	QP,BQ,BL	3			15-100	240		
	QPH	3			15-100	240		
	BQH,BLH	3			15-100	240		
	QJ2	3			60-225	240		
	QJH2	3	60-225	240				
	QJ2H	3	60-225	240				
	65,000	NJGA,NJJA (2, 3P)		QPH,BQH,BLH	1	15-70	120/240	
2				15-125	120/240			
QN,QNH				2	150-200	120/240		
QNR,QNRH				2	150-200	120/240		
NJGA,NJJA (3P)			QPH,BQH,BLH	3	15-100	240		
			QR2,QRH2	3	100-250	240		
JXD2-A (2, 3P)			QPH	1	15-70	120/240		
			2	15-125	120/240			
			BQH,BLH	1	15-70	120/240		
			2	15-125	120/240			
			QN,QNH	2	150-200	120/240		
			QNR,QNRH	2	150-200	120/240		
			QJH2	2	60-225	240		
			QJ2H	2	60-225	240		
			QR2,QRH2	2	100-250	240		
	JXD2-A (3P)			QPH	3	15-100	240	
				BQH,BLH	3	15-100	240	
QJH2		3		60-225	240			
QJ2H		3		60-225	240			
400	JXD2 (2, 3P)	QPH	1	15-70	120/240			
			2	15-125	120/240			
		BQH,BLH	1	15-70	120/240			
			2	15-125	120/240			
		QN,QNH	2	150-200	120/240			
		QNR,QNRH	2	150-200	120/240			
		QJH2	2	60-225	240			
		QJ2H	2	60-225	240			
		JXD2 (3P)		QR2,QRH2	3	100-250	240	
				QPH	3	15-100	240	
BQH,BLH	3			15-100	240			
QJH2	3			60-225	240			
JD6-A,JXD6-A (2, 3P)		QPH	1	15-70	120/240			
		2	15-125	120/240				
		BQH,BLH	1	15-70	120/240			
		2	15-125	120/240				
		QN,QNH	2	150-200	120/240			
		QNR,QNRH	2	150-200	120/240			

Series Rating	Main Breaker		Branch Breaker					
	Max. Amps	Type	Type	Poles	Amps	Volts		
400	JD6-A,JXD6-A (2, 3P)		QJH2	2	60-225	240		
			QJ2H	2	60-225	240		
			QR2,QRH2	2	100-250	240		
			QPH	3	15-100	240		
			BQH,BLH	3	15-100	240		
			QJH2	3	60-225	240		
			QJ2H	3	60-225	240		
			QR2,QRH2	3	100-250	240		
			JD6-A,JXD6-A (3P)		QPH	1	15-70	120/240
					2	15-125	120/240	
					BQH,BLH	1	15-70	120/240
					2	15-125	120/240	
					QN,QNH	2	150-200	120/240
					QNR,QNRH	2	150-200	120/240
	JD6,JXD6 (2, 3P)		QPH	3	15-100	240		
			BQH,BLH	3	15-100	240		
			QJH2	3	60-225	240		
			QJ2H	3	60-225	240		
	JD6,JXD6 (3P)		QPH	3	15-100	240		
			BQH,BLH	3	15-100	240		
			QJH2	3	60-225	240		
			QJ2H	3	60-225	240		
			SJD6-A (3P)		QPH	1	15-70	120/240
					2	15-125	120/240	
	3	15-100			240			
1	15-70	120/240						
BQH,BLH	2	15-125			120/240			
3	15-100	240						
2	100-250	240						
3	100-250	240						
SJD6 (3P)		QPH			1	15-70	120/240	
		2	15-125	120/240				
		3	15-100	240				
HJD6-A (2, 3P)		QPH	1	15-70	120/240			
		2	15-125	120/240				
HJD6-A (3P)		QR2,QRH2	2	100-250	240			
		QPH	3	15-100	240			
HJXD6-A (2, 3P)		QPH	1	15-70	120/240			
		2	15-125	120/240				
HJXD6-A (3P)		QPH	3	15-100	240			
		QR2,QRH2	3	100-250	240			
600	NLGA (2, 3P)		QPH,BQH,BLH	1	15-70	120/240		
			2	15-125	120/240			
			QN,QNH	2	150-200	120/240		
			QNR,QNRH	2	150-200	120/240		
			QR2,QRH2	2	100-250	240		
			QPH,BQH,BLH	1	15-70	120/240		
			2	15-125	120/240			
			QN,QNH	2	150-200	120/240		
			QNR,QNRH	2	150-200	120/240		
			QR2,QRH2	2	100-250	240		
			NLGA (3P)		QPH,BQH,BLH	3	15-100	240
	QR2,QRH2	3			100-250	240		
	LD6-A (2, 3P)				QPH	1	15-70	120/240
					2	15-125	120/240	
			BQH,BLH	1	15-70	120/240		
2			15-125	120/240				
QN,QNH			2	150-200	120/240			
QNR,QNRH			2	150-200	120/240			
QJH2	2	60-225	240					
QJ2H	2	60-225	240					
QR2,QRH2	2	100-250	240					

# Molded Case Circuit Breakers

## Series Connected Short Circuit Ratings

General

240V Series Ratings (Continued)

Series Rating	Main Breaker		Branch Breaker			
	Max. Amps	Type	Type	Poles	Amps	Volts
65,000	600	LD6-A (3P)	QPH	3	15-100	240
			BQH,BLH	3	15-100	240
			QJH2	3	60-225	240
			QJ2H	3	60-225	240
		LD6 (2, 3P)	QPH	1	15-70	120/240
				2	15-125	120/240
			BQH,BLH	1	15-70	120/240
				2	15-125	120/240
			QN,QNH	2	150-200	120/240
			QNR,QNRH	2	150-200	120/240
			QJH2	2	60-225	240
			QJ2H	2	60-225	240
		LD6 (3P)	QPH	3	15-100	240
			BQH,BLH	3	15-100	240
			QJH2	3	60-225	240
			QJ2H	3	60-225	240
		LXD6-A (2, 3P)	QPH	1	15-70	120/240
				2	15-125	120/240
			BQH,BLH	1	15-70	120/240
				2	15-125	120/240
			QN,QNH	2	150-200	120/240
			QNR,QNRH	2	150-200	120/240
			QJH2	2	60-225	240
			QJ2H	2	60-225	240
		QR2,QRH2	2	100-250	240	
		LXD6-A (3P)	QPH	3	15-100	240
				3	15-100	240
			BQH,BLH	3	15-100	240
				3	60-225	240
			QJH2	3	60-225	240
			QJ2H	3	60-225	240
			QR2,QRH2	3	100-250	240
			LXD6 (2, 3P)	QN,QNH	2	150-200
		2			150-200	120/240
		QJH2		2	60-225	240
				2	60-225	240
		LXD6 (3P)	QPH	3	15-100	240
				3	15-100	240
			BQH,BLH	3	15-100	240
				3	60-225	240
		SLD6-A (3P)	QPH	1	15-70	120/240
				2	15-125	120/240
				3	15-100	240
			BQH,BLH	1	15-70	120/240
				2	15-125	120/240
				3	15-100	240
			QR2,QRH2	2	100-250	240
				3	100-250	240
		SLD6 (3P)	QPH	1	15-70	120/240
				2	15-125	120/240
				3	15-100	240
			BQH,BLH	1	15-70	120/240
				3	15-100	240
		HLD6-A (2, 3P)	QPH	1	15-70	120/240
				2	15-125	120/240
			QR2,QRH2	2	100-250	240
				2	100-250	240
		HLD6-A (3P)	QPH	3	15-100	240
			QR2,QRH2	3	100-250	240
		HLD6 (2, 3P)	QPH	1	15-70	120/240
				2	15-125	120/240

240V Series Ratings (Continued)

Series Rating	Main Breaker		Branch Breaker				
	Max. Amps	Type	Type	Poles	Amps	Volts	
65,000	800	HLD6 (3P)	QPH	3	15-100	240	
				1	15-70	120/240	
			HLXD6-A (2, 3P)	QPH	2	15-125	120/240
					2	100-250	240
			HLXD6 (2, 3P)	QPH	1	15-70	120/240
					2	15-125	120/240
		HLXD6-A (3P)	QPH	3	15-100	240	
				3	100-250	240	
		HLXD6 (2, 3P)	QPH	1	15-70	120/240	
				2	15-125	120/240	
		HLXD6 (3P)	QPH	3	15-100	240	
				3	15-100	240	
		LMD6,LMXD6 (2, 3P)	QPH,BQH,BLH	1	15-70	120/240	
				2	15-125	120/240	
			QPH,BQH,BLH	2	15-125	120/240	
				2	15-125	120/240	
			LMD6,LMXD6 (3P)	QPH,BQH,BLH	3	15-100	240
					3	15-100	240
			HLMD6,HLMXD6 (2, 3P)	QPH,BQH,BLH	1	15-70	120/240
					2	15-125	120/240
			HLMD6,HLMXD6 (3P)	QPH,BQH,BLH	3	15-100	240
					3	15-100	240
			NMG,HMG (2, 3P)	QPH,BQH,BLH	1	15-70	120/240
					2	15-125	120/240
		QN,QNH		2	150-200	120/240	
				2	150-200	120/240	
		QNR,QNRH		2	150-200	120/240	
				2	100-250	240	
		QR2,QRH2	2	100-250	240		
			NMG,HMG (3P)	QPH,BQH,BLH	3	15-100	240
		3			100-250	240	
		MD6,MXD6 (2, 3P)	QPH	1	15-70	120/240	
				2	15-125	120/240	
			BQH,BLH	1	15-70	120/240	
				2	15-125	120/240	
			QN,QNH	2	150-200	120/240	
				2	150-200	120/240	
			QNR,QNRH	2	150-200	120/240	
				2	100-250	240	
			QR2,QRH2	2	100-250	240	
				MD6,MXD6 (3P)	QPH	3	15-100
		3	15-100			240	
		SMD6 (3P)	QPH	1	15-70	120/240	
				2	15-125	120/240	
				3	15-100	240	
			BQH,BLH	1	15-70	120/240	
				2	15-125	120/240	
				3	15-100	240	
			QR2,QRH2	2	100-250	240	
				3	100-250	240	
				3	100-250	240	
			HMD6,HMXD6 (2, 3P)	QPH	1	15-70	120/240
					2	15-125	120/240
				QR2,QRH2	2	100-250	240
		HMD6,HMXD6 (3P)	QPH	3	15-100	240	
				3	15-100	240	
			QR2,QRH2	3	100-250	240	
		NNG,HNG (2, 3P)	QPH,BQH,BLH	1	15-70	120/240	
				2	15-125	120/240	
			QN,QNH	2	150-200	120/240	
				2	150-200	120/240	
			QNR,QNRH	2	150-200	120/240	
				2	100-250	240	
			QR2,QRH2	2	100-250	240	
				NNG,HNG (3P)	QPH,BQH,BLH	3	15-100
			3			100-250	240
			ND6,NXD6 (2, 3P)	QPH	1	15-70	120/240
		2			15-125	120/240	
		BQH,BLH		1	15-70	120/240	
				2	15-125	120/240	
		QN,QNH		2	150-200	120/240	
				2	150-200	120/240	
		QNR,QNRH		2	150-200	120/240	
				2	150-200	120/240	

5 MOLDED CASE CIRCUIT BREAKERS

# Molded Case Circuit Breakers

## Series Connected Short Circuit Ratings

General

### 240V Series Ratings (Continued)

### 240V Series Ratings (Continued)

Series Rating	Main Breaker		Branch Breaker				
	Max. Amps	Type	Type	Poles	Amps	Volts	
65,000	1200	ND6,NXD6 (2, 3P)	QR2,QRH2	2	100-250	240	
			QPH	3	15-100	240	
		ND6,NXD6 (3P)	BQH,BLH	3	15-100	240	
			QR2,QRH2	3	100-250	240	
			QPH	1	15-70	120/240	
		SND6 (3P)	QPH	2	15-125	120/240	
			QPH	3	15-100	240	
			BQH,BLH	1	15-70	120/240	
				2	15-125	120/240	
				3	15-100	240	
			QR2,QRH2	2	100-250	240	
		3		100-250	240		
		HND6,HNXD6 (2, 3P)		QPH	1	15-70	120/240
			QR2,QRH2	2	100-250	240	
		HND6,HNXD6 (3P)	QPH	3	15-100	240	
			QR2,QRH2	3	100-250	240	
		1600	NPG,HPG (3P)	QPH,BQH,BLH	1	15-70	120/240
					2	15-125	120/240
	3				15-100	240	
	QN,QNH			2	150-200	120/240	
				2	150-200	120/240	
				3	100-250	240	
	PD6,PXD6 (3P)		QPH	1	15-70	120/240	
				2	15-125	120/240	
				3	15-100	240	
			BQH,BLH	1	15-70	120/240	
				2	15-125	120/240	
				3	15-100	240	
	SPD6 (3P)		QN,QNH	2	150-200	120/240	
				2	150-200	120/240	
				3	100-250	240	
			QR2,QRH2	2	100-250	240	
				3	100-250	240	
				HPD6,HPXD6 (3P)	QPH	1	15-70
	2	15-125	120/240				
	3	15-100	240				
QR2,QRH2	2	100-250	240				
	3	100-250	240				
	2000	RD6,RXD6 (3P)	QPH		1	15-70	120/240
2				15-125	120/240		
3				15-100	240		
BQH,BLH			1	15-70	120/240		
			2	15-125	120/240		
			3	15-100	240		
HRD6,HRXD6 (3P)		QN,QNH	2	150-200	120/240		
			2	150-200	120/240		
			3	100-250	240		
		QR2,QRH2	2	100-250	240		
			3	100-250	240		
			3	100-250	240		
100,000	100	HED4 (1P)	ED2	1	15-100	120	

Series Rating	Main Breaker		Branch Breaker				
	Max. Amps	Type	Type	Poles	Amps	Volts	
100,000	100	HED4 (1P)	ED4	1	15-100	120	
			QPBQ,BL	1	15-70	120	
			QPBQ,BL	2	15-125	120/240	
			QPH	1	15-70	120	
			QPH	2	15-125	120/240	
			NGB,HGB,LGB (2, 3P)	BQH,BLH	1	15-70	120
					2	15-125	120/240
				HQP	1	15-70	120
				HQP	2	15-125	120/240
				HBO,HBL	1	15-70	120
				2	15-125	120/240	
			NGB,HGB,LGB (3P)	QPF,BLF	2	15-60	120/240
					3	15-100	240
				QPBQ,BL	3	15-100	240
				QPH	3	15-100	240
				BQH,BLH	3	15-100	240
				HQP	3	15-100	240
			NGB,HGB,LGB (1, 2, 3P)	HBO,HBL	3	15-100	240
					3	15-100	240
				QPF,BQF,BLF	1	15-30	120
				QPHF,BQHF	1	15-30	120
				BLHF	1	15-30	120
				QPF2,BLF2	1	15-30	120
				QPHF2,BLHF2	1	15-30	120
	HQP2,HBLF2	1		15-30	120		
	QAF,BQAF,BAF	1		15-20	120		
	QAFH,BOAFH	1		15-20	120		
	BAFH	1		15-20	120		
	QAF2,BAF2	1		15-20	120		
	QAFH2,BAFH2	1		15-20	120		
	HQAF2,HBAF2	1		15-20	120		
	QFGA2,BFGA2	1	15-20	120			
	QFGAH2,BFGAH2	1	15-20	120			
	HQFGA2,HBFGA2	1	15-20	120			
	125	NGB,HGB,LGB (1, 2, 3P)	QPBQ,BL	1	15-70	120	
				2	15-125	120/240	
			QPH	1	15-70	120	
			QPH	2	15-125	120/240	
			BQH,BLH	1	15-70	120	
			BQH,BLH	2	15-125	120/240	
			HQP	1	15-70	120	
			HQP	2	15-125	120/240	
			HBO,HBL	1	15-70	120	
			HBO,HBL	2	15-125	120/240	
			QT	1,2	15-50	120/240	
			QPF,BQF,BLF	1	15-30	120	
		QPF,BLF	2	15-60	120/240		
		HED4,HED6 (2, 3P)	QE,BE,BLE	1	15-30	120	
				2	15-60	120/240	
			QPHF,BQHF	1	15-30	120	
			QPHF,BQHF	2	15-60	120/240	
			BLHF	1	15-30	120	
			QE,H,BLEH	1	15-30	120	
			QE,H,BLEH	2	15-60	120/240	
QPF2,BLF2			1	15-30	120		
QPHF2,BLHF2			1	15-30	120		
HQP2,HBLF2			1	15-30	120		
QAF,BQAF,BAF			1	15-20	120		
QAFH,BOAFH	1		15-20	240			
BAFH	1	15-20	120				
QAF2,BAF2	1	15-20	120				
QAFH2,BAFH2	1	15-20	240				
HQAF2,HBAF2	1	15-20	240				

# Molded Case Circuit Breakers

## Series Connected Short Circuit Ratings

General

240V Series Ratings (Continued)

240V Series Ratings (Continued)

Series Rating	Main Breaker		Branch Breaker				
	Max. Amps	Type	Type	Poles	Amps	Volts	
100,000	125	HED4,HED6 (2, 3P)	QFGA2,BFGA2	1	15-20	120	
			QFGAH2,BFGAH2	1	15-20	120	
			HQFGA2,HBFGA2	1	15-20	120	
			ED2	1	15-100	120	
			ED4	1	15-100	120	
			ED4,ED6	2	15-125	240	
		HED4,HED6 (3P)	QPBO,BL	3	15-100	240	
			QPH	3	15-100	240	
			BQH,BLH	3	15-100	240	
			HQP	3	15-100	240	
			HBQ,HBL	3	15-100	240	
			ED2	3	15-100	240	
		150	HDGA (2, 3P)	ED4,ED6	1	15-100	240
				NDGA,NDGB	2	50-150	240
			HDGA (3P)	ED4,ED6	3	15-125	240
				NDGA,NDGB	3	50-150	240
		225	HQP2H (2P)	QPBO,BL	1	15-70	120/240
					2	15-125	120/240
	QPH			1	15-70	120/240	
				2	15-125	120/240	
	BQH,BLH			1	15-70	120/240	
				2	15-125	120/240	
	HQP			1	15-70	120/240	
				2	15-125	120/240	
	HBQ,HBL			1	15-70	120/240	
				2	15-125	120/240	
	QT			1,2	15-50	120/240	
	QPF,BQF,BLF			1	15-30	120	
	QPF,BLF			2	15-60	120/240	
	QE,BE,BLE			1	15-30	120	
	QE,BLE			2	15-60	120/240	
	QPHF,BQHF			1	15-30	120	
	QPHF,BLHF			2	15-60	120/240	
	BLHF			1	15-30	120	
	QEH,BLEH			1	15-30	120	
				2	15-60	120/240	
	QPF2,BLF2			1	15-30	120	
	QPHF2,BLHF2			1	15-30	120	
	HQPF2,HBLF2			1	15-30	120	
	QAF,BQAF,BAF			1	15-20	120	
	QAFH,BQAFH			1	15-20	120	
	BAFH			1	15-20	120	
	QAF2,BAF2			1	15-20	120	
	QAFH2,BAFH2			1	15-20	120	
	HQAF2,HBAF2			1	15-20	120	
	QFGA2,BFGA2			1	15-20	120	
	QFGAH2,BFGAH2			1	15-20	120	
	HQFGA2,HBFGA2			1	15-20	120	
	QPP			2	125-225	120/240	
	EQ948#			2	125-225	120/240	
	QPPH			2	125-225	120/240	
	EQ968#			2	125-225	120/240	
	HQPP			2	125-225	120/240	
	EQ978#			2	125-225	120/240	
	EQ988# (2P)			QPBO,BL	1	15-70	120/240
					2	15-125	120/240
				QPH	1	15-70	120/240
					2	15-125	120/240
		BQH,BLH	1	15-70	120/240		
			2	15-125	120/240		

Series Rating	Main Breaker		Branch Breaker				
	Max. Amps	Type	Type	Poles	Amps	Volts	
100,000	225	EQ988# (2P)	HQP	1	15-70	120/240	
				2	15-125	120/240	
			HBQ,HBL	1	15-70	120/240	
				2	15-125	120/240	
			QT	1,2	15-50	120/240	
			QPF,BQF,BLF	1	15-30	120	
			QPF,BLF	2	15-60	120/240	
			QE,BE,BLE	1	15-30	120	
			QE,BLE	2	15-60	120/240	
			QPHF,BQHF	1	15-30	120	
				2	15-60	120/240	
			BLHF	1	15-30	120	
			QEH,BLEH	1	15-30	120	
				2	15-60	120/240	
			QPF2,BLF2	1	15-30	120	
			QPHF2,BLHF2	1	15-30	120	
			HQPF2,HBLF2	1	15-30	120	
			QAF,BQAF,BAF	1	15-20	120	
			QAFH,BQAFH	1	15-20	120	
			BAFH	1	15-20	120	
			QAF2,BAF2	1	15-20	120	
			QAFH2,BAFH2	1	15-20	120	
			HQAF2,HBAF2	1	15-20	120	
			QFGA2,BFGA2	1	15-20	120	
			QFGAH2,BFGAH2	1	15-20	120	
			HQFGA2,HBFGA2	1	15-20	120	
			QPP	2	125-225	120/240	
			EQ948#	2	125-225	120/240	
			QPPH	2	125-225	120/240	
			EQ968#	2	125-225	120/240	
			HQPP	2	125-225	120/240	
			EQ978#	2	125-225	120/240	
			HQP2H (2, 3P)	QPBO,BL	1	15-25	120/240
					2	15-125	120/240
				QPH,BQH,BLH	1	15-70	120/240
					2	15-125	120/240
				HQP,HBQ,HBL	1	15-70	120/240
					2	15-125	120/240
				QT	1	15-50	120/240
					1	15-50	120/240
				QPF,BQF,BLF	1	15-30	120
				QPF,BLF	2	15-60	120/240
	QE,BE,BLE	1		15-30	120		
	QE,BLE	2		15-60	120/240		
	QPHF,BQHF	1		15-30	120		
	QPHF,BLHF	2		15-60	120/240		
	BLHF	1		15-30	120		
	QEH,BLEH	1		15-30	120		
		2		15-60	120/240		
	QPF2,BLF2	1		15-30	120		
	QPHF2,BLHF2	1	15-30	120			
	HQPF2,HBLF2	1	15-30	120			
	QAF,BQAF,BAF	1	15-20	120			
	QAFH,BQAFH	1	15-20	120			
	BAFH	1	15-20	120			
	QAF2,BAF2	1	15-20	120			
	QAFH2,BAFH2	1	15-20	120			
	HQAF2,HBAF2	1	15-20	120			
	QFGA2,BFGA2	1	15-20	120			
	QFGAH2,BFGAH2	1	15-20	120			
	HQFGA2,HBFGA2	1	15-20	120			

5 MOLDED CASE CIRCUIT BREAKERS

# Molded Case Circuit Breakers

## Series Connected Short Circuit Ratings

General

### 240V Series Ratings (Continued)

### 240V Series Ratings (Continued)

Series Rating	Main Breaker		Branch Breaker			
	Max. Amps	Type	Type	Poles	Amps	Volts
100,000	225	HQJ2H (3P)	QP,BQ,BL	3	15-100	240
			QPH,BQH,BLH	3	15-100	240
			HQP,HBQ,HBL	3	15-100	240
	250	HQR2H (2, 3P)	QP,BQ,BL	1	15-70	120/240
				2	15-125	120/240
			QPH,BQH,BLH	1	15-70	120/240
				2	15-125	120/240
			HQP,HBQ,HBL	1	15-70	120/240
				2	15-125	240
			QT	1,2	15-50	120/240
				1	15-30	120
			QPF,BQF,BLF	1	15-60	120/240
				2	15-30	120
			QPF,BLF	1	15-30	120
				2	15-60	120/240
			QE,BE,BLE	1	15-30	120
				2	15-60	120/240
			QPHF,BQHf	1	15-30	120
				2	15-60	120/240
			BLHF	1	15-30	120
				2	15-60	120/240
			QEH,BLEH	1	15-30	120
				2	15-60	120/240
			QPF2,BLF2	1	15-30	120
				1	15-30	120
			HQPf2,HBLF2	1	15-30	120
				1	15-20	120
			QAF,BQAF,BAF	1	15-20	120
				2	15-20	120/240
			QAFH,BQAFH	1	15-20	120
				2	15-20	120/240
			BAFH	1	15-20	120
				1	15-20	120
			QAF2,BAF2	1	15-20	120
				1	15-20	120
			QAFH2,BAFH2	1	15-20	120
				1	15-20	120
			HQAF2,HBAF2	1	15-20	120
				1	15-20	120
			QFGA2,BFGA2	1	15-20	120
				1	15-20	120
			HQFGA2,HBFGA2	1	15-20	120
				1	15-20	120
			QR2,QRH2,HQR2	2	100-250	240
				3	15-100	240
	HQR2H (3P)	3	15-100	240		
			15-100	240		
			100-250	240		
	QR2,QRH2,HQR2	2	100-250	240		
			1	15-100	240	
	HFGA (2, 3P)	2	15-125	240		
			50-150	240		
			70-250	240		
			70-250	240		
			70-250	240		
	HFGA (3P)	3	100-250	240		
			15-125	240		
			50-150	240		
			70-250	240		
			70-250	240		
	HFGB (2, 3P)	2	100-250	240		
			1	15-100	240	
			2	15-125	240	
			50-150	240		
			70-250	240		
			70-250	240		
			70-250	240		
	HFGB (3P)	3	100-250	240		
			15-125	240		

Series Rating	Main Breaker		Branch Breaker				
	Max. Amps	Type	Type	Poles	Amps	Volts	
100,000	250	HFGB (3P)	NDGA,NDGB	3	50-150	240	
			NFGA,NFGB	3	70-250	240	
			FD6-A,FXD6-A	3	70-250	240	
			FD6,FXD6	3	70-250	240	
			QP,BQ,BL	1	15-70	120/240	
				2	15-125	120/240	
		QPH	1	15-70	120/240		
			2	15-125	120/240		
		BQH,BLH	1	15-70	120/240		
			2	15-125	120/240		
		HQP	1	15-70	120/240		
			2	15-125	120/240		
		HBQ,HBL	1	15-70	120/240		
			2	15-125	120/240		
		QT	1,2	15-50	120/240		
			1	15-30	120		
		QPF,BQF,BLF	1	15-60	120/240		
			2	15-30	120		
		QPF,BLF	1	15-30	120		
			2	15-60	120/240		
		QE,BE,BLE	1	15-30	120		
			2	15-60	120/240		
		QPHF,BQHf	1	15-30	120		
			2	15-60	120/240		
		BLHF	1	15-30	120		
			1	15-30	120		
		QEH,BLEH	1	15-30	120		
			2	15-60	120/240		
		QPF2,BLF2	1	15-30	120		
			1	15-30	120		
		HQPf2,HBLF2	1	15-30	120		
			1	15-30	120		
		QAF,BQAF,BAF	1	15-20	120		
			1	15-20	120		
		QAFH,BQAFH	1	15-20	120		
			1	15-20	120		
		BAFH	1	15-20	120		
			1	15-20	120		
		QAF2,BAF2	1	15-20	120		
			1	15-20	120		
		QAFH2,BAFH2	1	15-20	120		
			1	15-20	120		
		HQAF2,HBAF2	1	15-20	120		
			1	15-20	120		
		QFGA2,BFGA2	1	15-20	120		
			1	15-20	120		
		HQFGA2,HBFGA2	1	15-20	120		
			1	15-20	120		
		QR2,QRH2,HQR2	2	125-225	120/240		
			2	125-225	120/240		
		HQR2H (3P)	2	125-225	120/240		
				125-225	120/240		
		QJ2	2	60-225	240		
				60-225	240		
		QJH2	2	60-225	240		
				60-225	240		
		QR2,QRH2,HQR2	2	100-250	240		
				1	15-100	120	
		ED4,ED6	2	15-125	240		
				50-150	240		
		NDGA,NDGB	2	50-150	240		
				70-250	240		
		NFGA,NFGB	2	70-250	240		
				70-250	240		
		FD6-A,FXD6-A	2	70-250	240		
				70-250	240		
		HFDB,HFXD6 (2, 3P)	3	15-100	240		
				QP,BQ,BL	3	15-100	240
				QPH	3	15-100	240
				BQH,BLH	3	15-100	240
				HQP	3	15-100	240
				HBQ,HBL	3	15-100	240
				QJ2	3	60-225	240
				QJH2	3	60-225	240
				QR2,QRH2,HQR2	3	100-250	240
				ED4,ED6	3	15-125	240
		HFDB,HFXD6 (3P)	3	50-150	240		
				NFGA,NFGB	3	70-250	240
				FD6-A,FXD6-A	3	70-250	240
				FD6,FXD6	3	70-250	240



# Molded Case Circuit Breakers

## Series Connected Short Circuit Ratings

General

240V Series Ratings (Continued)

Series Rating	Main Breaker		Branch Breaker			
	Max. Amps	Type	Type	Poles	Amps	Volts
100,000	400	HJGA (2, 3P)	QR2,QRH2,HQR2	2	100-250	240
			ED4,ED6	1	15-100	240
			ED4,ED6	2	15-125	240
			NDGA,NDGB	2	50-150	240
			NFGA,NFGB	2	70-250	240
			FD6-A,FXD6-A	2	70-250	240
			FD6,FXD6	2	70-250	240
			NJGA,NJJA	2	200-400	240
			JD6-A,JXD6-A	2	200-400	240
			JD6,JXD6	2	200-400	240
		HJGA (3P)	QR2,QRH2,HQR2	3	100-250	240
			ED4,ED6	3	15-125	240
			NDGA,NDGB	3	50-150	240
			NFGA,NFGB	3	70-250	240
			FD6-A,FXD6-A	3	70-250	240
			FD6,FXD6	3	70-250	240
			NJGA,NJJA	3	200-400	240
			JD6-A,JXD6-A	3	200-400	240
			JD6,JXD6	3	200-400	240
			HJD6-A (2, 3P)	QR2,QRH2,HQR2	2	100-250
		ED4		1	15-100	120
		ED4,ED6		2	15-125	240
		NDGA,NDGB		2	50-150	240
		NFGA,NFGB		2	70-250	240
		FD6-A,FXD6-A		2	70-250	240
		FD6,FXD6		2	70-250	240
		NJGA,NJJA		2	200-400	240
		JXD2-A		2	200-400	240
		JD6-A,JXD6-A		2	200-400	240
		HJD6-A (3P)	QR2,QRH2,HQR2	3	100-250	240
			ED4,ED6	3	15-125	240
			NDGA,NDGB	3	50-150	240
			NFGA,NFGB	3	70-250	240
			FD6-A,FXD6-A	3	70-250	240
			FD6,FXD6	3	70-250	240
			NJGA,NJJA	3	200-400	240
			JXD2-A	3	200-400	240
			JD6-A,JXD6-A	3	200-400	240
			SJD6-A	3	200-400	240
		HJXD6-A (2, 3P)	QR2,QRH2,HQR2	2	100-250	240
			ED4	1	15-100	120
			ED4,ED6	2	15-125	240
			NDGA,NDGB	2	50-150	240
			NFGA,NFGB	2	70-250	240
			FD6-A,FXD6-A	2	70-250	240
			FD6,FXD6	2	70-250	240
			NJGA,NJJA	2	200-400	240
			JXD2-A	2	200-400	240
			JD6-A,JXD6-A	2	200-400	240
		HJXD6-A (3P)	QR2,QRH2,HQR2	3	100-250	240
			ED4,ED6	3	15-125	240
			NDGA,NDGB	3	50-150	240
			NFGA,NFGB	3	70-250	240
			FD6-A,FXD6-A	3	70-250	240
			FD6,FXD6	3	70-250	240
			NJGA,NJJA	3	200-400	240
			JXD2-A	3	200-400	240
			JD6-A,JXD6-A	3	200-400	240
			SJD6-A	3	200-400	240
		HJD6,HJXD6 (2, 3P)	ED4	1	15-100	120
			ED4,ED6	2	15-125	240
			NDGA,NDGB	2	50-150	240
			NFGA,NFGB	2	70-250	240

240V Series Ratings (Continued)

Series Rating	Main Breaker		Branch Breaker				
	Max. Amps	Type	Type	Poles	Amps	Volts	
100,000	400	HJD6,HJXD6 (2, 3P)	FD6-A,FXD6-A	2	70-250	240	
			FD6,FXD6	2	70-250	240	
			NJGA,NJJA	2	200-400	240	
			JXD2	2	200-400	240	
			JD6,JXD6	2	200-400	240	
			HJD6,HJXD6 (3P)	ED4,ED6	3	15-125	240
				NDGA,NDGB	3	50-150	240
				NFGA,NFGB	3	70-250	240
				FD6-A,FXD6-A	3	70-250	240
				FD6,FXD6	3	70-250	240
		NJGA,NJJA		3	200-400	240	
		JXD2		3	200-400	240	
		JD6,JXD6		3	200-400	240	
		SJD6		3	200-400	240	
		SHJD6-A (3P)		QR2,QRH2,HQR2	2	100-250	240
			ED4	3	100-250	240	
			ED4	1	15-100	120	
			ED4,ED6	2	15-125	240	
			ED4,ED6	3	15-125	240	
			NDGA,NDGB	2	50-150	240	
			NDGA,NDGB	3	50-150	240	
			NFGA,NFGB	2	70-250	240	
			NFGA,NFGB	3	70-250	240	
			FD6-A,FXD6-A	2	70-250	240	
		FD6-A,FXD6-A	3	70-250	240		
		SHJD6 (3P)	FD6,FXD6	2	70-250	240	
			FD6,FXD6	3	70-250	240	
			NJGA,NJJA	2	200-400	240	
			NJGA,NJJA	3	200-400	240	
			JXD2-A	2	200-400	240	
			JXD2-A	3	200-400	240	
			JD6-A,JXD6-A	2	200-400	240	
			JD6-A,JXD6-A	3	200-400	240	
			SJD6-A	3	200-400	240	
			SJD6-A	3	200-400	240	
		HLGA (2, 3P)	ED4	1	15-100	120	
			ED4,ED6	2	15-125	240	
			NDGA,NDGB	2	50-150	240	
			NDGA,NDGB	3	50-150	240	
			NFGA,NFGB	2	70-250	240	
			NFGA,NFGB	3	70-250	240	
			FD6-A,FXD6-A	2	70-250	240	
			FD6-A,FXD6-A	3	70-250	240	
			FD6,FXD6	2	70-250	240	
			FD6,FXD6	3	70-250	240	
		HJXD6 (2, 3P)	QR2,QRH2,HQR2	2	100-250	240	
			ED4,ED6	1	15-100	120	
			ED4,ED6	2	15-125	240	
			NDGA,NDGB	2	50-150	240	
			NFGA,NFGB	2	70-250	240	
			NFGA,NFGB	3	70-250	240	

5 MOLDED CASE CIRCUIT BREAKERS

# Molded Case Circuit Breakers

## Series Connected Short Circuit Ratings

General

### 240V Series Ratings (Continued)

### 240V Series Ratings (Continued)

Series Rating	Main Breaker		Branch Breaker				
	Max. Amps	Type	Type	Poles	Amps	Volts	
100,000	600	HLGA (2, 3P)	NLGA,NLGB	2	400-600	240	
			LD6,LD6-A	2	200-600	240	
			LXD6-A,LXD6	2	450-600	240	
		HLGA (3P)	QR2,QRH2,HQR2	3	100-250	240	
			ED4,ED6	3	15-125	240	
			NDGA,NDGB	3	50-150	240	
			NFGA,NFGB	3	70-250	240	
			FD6-A,FXD6-A	3	70-250	240	
			FD6,FXD6	3	70-250	240	
			NJGA,NJJA	3	200-400	240	
				3	200-400	240	
			JD6-A,JXD6-A	3	200-400	240	
			JD6,JXD6	3	200-400	240	
			NLGA,NLGB	3	400-600	240	
			LD6,LD6-A	3	200-600	240	
			LXD6-A,LXD6	3	450-600	240	
			HLGB (2, 3P)	QR2,QRH2,HQR2	2	100-250	240
				ED4,ED6	1	15-100	240
		ED4,ED6		2	15-125	240	
		NDGA,NDGB		2	50-150	240	
		NFGA,NFGB		2	70-250	240	
		FD6-A,FXD6-A		2	70-250	240	
		FD6,FXD6		2	70-250	240	
		NJGA,NJJA		2	200-400	240	
				2	200-400	240	
		JD6-A,JXD6-A		2	200-400	240	
		JD6,JXD6		2	200-400	240	
		NLGA,NLGB		2	400-600	240	
		LD6,LD6-A		2	200-600	240	
		LXD6-A,LXD6		2	450-600	240	
		HLGB (3P)		QR2,QRH2,HQR2	3	100-250	240
			ED4,ED6	3	15-125	240	
			NDGA,NDGB	3	50-150	240	
			NFGA,NFGB	3	70-250	240	
			FD6-A,FXD6-A	3	70-250	240	
			FD6,FXD6	3	70-250	240	
			NJGA,NJJA	3	200-400	240	
				3	200-400	240	
			JD6-A,JXD6-A	3	200-400	240	
			JD6,JXD6	3	200-400	240	
			NLGA,NLGB	3	400-600	240	
			LD6,LD6-A	3	200-600	240	
			LXD6-A,LXD6	3	450-600	240	
			HLD6-A (2, 3P)	QR2,QRH2,HQR2	2	100-250	240
				ED4	1	15-100	120
		ED4,ED6		2	15-125	240	
		NDGA,NDGB		2	50-150	240	
		NFGA,NFGB		2	70-250	240	
		FD6-A,FXD6-A		2	70-250	240	
		FD6,FXD6		2	70-250	240	
		NJGA,NJJA		2	200-400	240	
		JXD2		2	200-400	240	
		JD6-A,JXD6-A		2	200-400	240	
		NLGA,NLGB		2	400-600	240	
		LD6-A		2	200-600	240	
		LXD6-A		2	450-600	240	
		HLD6-A (3P)		ED4,ED6	3	15-125	240
				NDGA,NDGB	3	50-150	240
			NFGA,NFGB	3	70-250	240	
			FD6-A,FXD6-A	3	70-250	240	
			FD6,FXD6	3	70-250	240	
			NJGA,NJJA	3	200-400	240	
		JXD2-A	3	200-400	240		

Series Rating	Main Breaker		Branch Breaker				
	Max. Amps	Type	Type	Poles	Amps	Volts	
100,000	600	HLD6-A (3P)	JD6-A,JXD6-A	3	200-400	240	
			SJD6-A	3	200-400	240	
			NLGA,NLGB	3	400-600	240	
			LD6-A	3	200-600	240	
			LXD6-A	3	450-600	240	
			SLD6-A	3	300-600	240	
			ED4	1	15-100	120	
			ED4,ED6	2	15-125	240	
			NDGA,NDGB	2	50-150	240	
			NFGA,NFGB	2	70-250	240	
			FD6-A,FXD6-A	2	70-250	240	
			FD6,FXD6	2	70-250	240	
			NJGA,NJJA	2	200-400	240	
			JXD2	2	200-400	240	
			JD6,JXD6	2	200-400	240	
		HLD6 (2, 3P)	NLGA,NLGB	2	400-600	240	
			LD6	2	200-600	240	
			LXD6	2	450-600	240	
			ED4,ED6	3	15-125	240	
			NDGA,NDGB	3	50-150	240	
			NFGA,NFGB	3	70-250	240	
			FD6-A,FXD6-A	3	70-250	240	
			FD6,FXD6	3	70-250	240	
			NJGA,NJJA	3	200-400	240	
			JXD2	3	200-400	240	
			JD6,JXD6	3	200-400	240	
			SJD6	3	200-400	240	
			NLGA,NLGB	3	400-600	240	
			LD6	3	200-600	240	
			LXD6	3	450-600	240	
		HLD6 (3P)	SLD6	3	300-600	240	
			QR2,QRH2,HQR2	2	100-250	240	
			ED4	1	15-100	120	
			ED4,ED6	2	15-125	240	
			NDGA,NDGB	2	50-150	240	
			NFGA,NFGB	2	70-250	240	
			FD6-A,FXD6-A	2	70-250	240	
			FD6,FXD6	2	70-250	240	
			NJGA,NJJA	2	200-400	240	
			JXD2-A	2	200-400	240	
			JD6-A,JXD6-A	2	200-400	240	
			NLGA,NLGB	2	400-600	240	
			LD6-A	2	200-600	240	
			LXD6-A	2	450-600	240	
			HLXD6-A (2, 3P)	QR2,QRH2,HQR2	3	100-250	240
		ED4,ED6		3	15-125	240	
		NDGA,NDGB		3	50-150	240	
		NFGA,NFGB		3	70-250	240	
		FD6-A,FXD6-A		3	70-250	240	
		FD6,FXD6		3	70-250	240	
		NJGA,NJJA		3	200-400	240	
		JXD2-A		3	200-400	240	
		JD6-A,JXD6-A		3	200-400	240	
		NLGA,NLGB		2	400-600	240	
		LD6-A		2	200-600	240	
		LXD6-A		2	450-600	240	
		HLXD6-A (3P)		ED4	1	15-100	120
				ED4,ED6	2	15-125	240
				NDGA,NDGB	2	50-150	240
			NFGA,NFGB	2	70-250	240	
			FD6-A,FXD6-A	2	70-250	240	
			FD6,FXD6	2	70-250	240	
		HLXD6 (2, 3P)	ED4	1	15-100	120	
			ED4,ED6	2	15-125	240	
			NDGA,NDGB	2	50-150	240	
			NFGA,NFGB	2	70-250	240	
			FD6-A,FXD6-A	2	70-250	240	
			FD6,FXD6	2	70-250	240	

# Molded Case Circuit Breakers

## Series Connected Short Circuit Ratings

General

240V Series Ratings (Continued)

240V Series Ratings (Continued)

Series Rating	Main Breaker		Branch Breaker			
	Max. Amps	Type	Type	Poles	Amps	Volts
100,000	600	HLXD6 (2, 3P)	NJGA,NJJA	2	200-400	240
			JXD2	2	200-400	240
			JD6,JXD6	2	200-400	240
			NLGA,NLGB	2	400-600	240
			LD6	2	200-600	240
			LXD6	2	450-600	240
		HLXD6 (3P)	ED4,ED6	3	15-125	240
			NDGA,NDGB	3	50-150	240
			NFGA,NFGB	3	70-250	240
			FD6-A,FXD6-A	3	70-250	240
			FD6,FXD6	3	70-250	240
			NJGA,NJJA	3	200-400	240
			JXD2	3	200-400	240
			JD6,JXD6	3	200-400	240
			SJD6	3	200-400	240
			NLGA,NLGB	3	400-600	240
			LD6	3	200-600	240
			LXD6	3	450-600	240
			SLD6	3	300-600	240
			SHLD6-A (3P)	QR2,QRH2,HQR2	2	100-250
				3	100-250	240
		ED4		1	15-100	120
		ED4,ED6		2	15-125	240
				3	15-125	240
		NDGA,NDGB		2	50-150	240
				3	50-150	240
		NFGA,NFGB		2	70-250	240
				3	70-250	240
		FD6-A,FXD6-A		2	70-250	240
				3	70-250	240
		FD6,FXD6		2	70-250	240
				3	70-250	240
		NJGA,NJJA		2	200-400	240
				3	200-400	240
		JXD2-A		2	200-400	240
				3	200-400	240
		JD6-A,JXD6-A		2	200-400	240
				3	200-400	240
		SJD6-A		3	200-400	240
		NLGA,NLGB	2	400-600	240	
			3	400-600	240	
		LD6-A	2	200-600	240	
			3	200-600	240	
			2	450-600	240	
			3	450-600	240	
		SLD6-A	3	300-600	240	
		SHLD6 (3P)	ED4	1	15-100	120
			ED4,ED6	2	15-125	240
				3	15-125	240
			NDGA,NDGB	2	50-150	240
	3		50-150	240		
NFGA,NFGB	2		70-250	240		
	3		70-250	240		
FD6,FXD6	2		70-250	240		
	3		70-250	240		
NJGA,NJJA	2		200-400	240		
	3		200-400	240		
JXD2	2		200-400	240		
	3		200-400	240		
JD6,JXD6	2		200-400	240		
	3	200-400	240			
SJD6	3	200-400	240			

Series Rating	Main Breaker		Branch Breaker			
	Max. Amps	Type	Type	Poles	Amps	Volts
100,000	600	SHLD6 (3P)	NLGA,NLGB	2	400-600	240
				3	400-600	240
			LD6	2	200-600	240
				3	200-600	240
			LXD6	2	450-600	240
				3	450-600	240
		HMG (2, 3P)	SLD6	3	300-600	240
			QR2,QRH2,HQR2	2	100-250	240
			ED4,ED6	1	15-100	240
				2	15-125	240
			NDGA,NDGB	2	50-150	240
				2	50-150	240
			NFGA,NFGB	2	70-250	240
				2	70-250	240
			FD6-A,FXD6-A	2	70-250	240
				2	70-250	240
			FD6,FXD6	2	70-250	240
				2	70-250	240
			NJGA,NJJA	2	200-400	240
				2	200-400	240
		JD6-A,JXD6-A	2	200-400	240	
			2	200-400	240	
		JD6,JXD6	2	200-400	240	
			2	200-400	240	
		NLGA,NLGB	2	400-600	240	
			2	400-600	240	
		LD6,LD6-A	2	200-600	240	
			2	200-600	240	
		LXD6-A,LXD6	2	450-600	240	
			2	450-600	240	
		LMD6,LMXD6	2	600-800	240	
		NMG	2	600-800	240	
		MD6,MXD6	2	400-800	240	
		HMG (3P)	QR2,QRH2,HQR2	3	100-250	240
			ED4,ED6	3	15-125	240
			NDGA,NDGB	3	50-150	240
			NFGA,NFGB	3	70-250	240
			FD6-A,FXD6-A	3	70-250	240
				3	70-250	240
			FD6,FXD6	3	70-250	240
				3	70-250	240
			NJGA,NJJA	3	200-400	240
				3	200-400	240
			JD6-A,JXD6-A	3	200-400	240
				3	200-400	240
			JD6,JXD6	3	200-400	240
				3	200-400	240
		NLGA,NLGB	3	400-600	240	
			3	400-600	240	
		LD6,LD6-A	3	200-600	240	
	3	200-600	240			
LXD6-A,LXD6	3	450-600	240			
	3	450-600	240			
LMD6,LMXD6	3	600-800	240			
NMG	3	600-800	240			
MD6,MXD6	3	400-800	240			
HMD6,HMXD6 (2, 3P)	QR2,QRH2,HQR2	2	100-250	240		
	ED4	1	15-100	120		
	ED4,ED6	2	15-125	240		
		2	15-125	240		
	NDGA,NDGB	2	50-150	240		
		2	50-150	240		
	NFGA,NFGB	2	70-250	240		
		2	70-250	240		
	FD6-A,FXD6-A	2	70-250	240		
		2	70-250	240		
	FD6,FXD6	2	70-250	240		
		2	70-250	240		
	NJGA,NJJA	2	200-400	240		
		2	200-400	240		
JXD2-A	2	200-400	240			
	2	200-400	240			
JXD2	2	200-400	240			
	2	200-400	240			
JD6-A,JXD6-A	2	200-400	240			
	2	200-400	240			
JD6,JXD6	2	200-400	240			
	2	200-400	240			
NLGA,NLGB	2	400-600	240			
	2	400-600	240			
LD6-A	2	200-600	240			
	2	200-600	240			
LD6	2	200-600	240			
	2	200-600	240			
LXD6-A	2	450-600	240			
	2	450-600	240			
LXD6	2	450-600	240			
	2	450-600	240			
NMG	2	500-800	240			
	2	500-800	240			
MD6,MXD6	2	500-800	240			
HMD6,HMXD6 (3P)	QR2,QRH2,HQR2	3	100-250	240		
	ED4,ED6	3	15-125	240		
	NDGA,NDGB	3	50-150	240		
	NFGA,NFGB	3	70-250	240		
	FD6-A,FXD6-A	3	70-250	240		
		3	70-250	240		
FD6,FXD6	3	70-250	240			

5  
MOLDED CASE  
CIRCUIT BREAKERS

# Molded Case Circuit Breakers

## Series Connected Short Circuit Ratings

General

240V Series Ratings (Continued)

240V Series Ratings (Continued)

Series Rating	Main Breaker		Branch Breaker			
	Max. Amps	Type	Type	Poles	Amps	Volts
100,000	800	HMD6,HMXD6 (3P)	NJGA,NJJA	3	200-400	240
			JXD2-A	3	200-400	240
			JXD2	3	200-400	240
			JD6-A,JXD6-A	3	200-400	240
			JD6,JXD6	3	200-400	240
			SJD6-A	3	200-400	240
			SJD6	3	200-400	240
			NLGA,NLGB	3	400-600	240
			LD6-A	3	200-600	240
			LD6	3	200-600	240
			LXD6-A	3	450-600	240
			LXD6	3	450-600	240
			SLD6-A	3	300-600	240
			SLD6	3	300-600	240
			NMG	3	500-800	240
			MD6,MXD6	3	500-800	240
			SMD6	3	500-800	240
			QR2,QRH2,HQR2	2	100-250	240
			ED4	1	15-100	120
			ED4,ED6	2	15-125	240
		ED6	3	15-125	240	
		NDGA,NDGB	2	50-150	240	
		NFGA,NFGB	3	50-150	240	
		NFGA,NFGB	2	70-250	240	
		NFGA,NFGB	3	70-250	240	
		FD6-A,FXD6-A	2	70-250	240	
		FD6,FXD6	3	70-250	240	
		NJGA,NJJA	2	200-400	240	
		NJGA,NJJA	3	200-400	240	
		JXD2-A	2	200-400	240	
		JXD2-A	3	200-400	240	
		JXD2	2	200-400	240	
		JXD2	3	200-400	240	
		JD6-A,JXD6-A	2	200-400	240	
		JD6-A,JXD6-A	3	200-400	240	
		JD6,JXD6	2	200-400	240	
		JD6,JXD6	3	200-400	240	
		SJD6-A	3	200-400	240	
		SJD6	3	200-400	240	
		NLGA,NLGB	2	400-600	240	
		NLGA,NLGB	3	400-600	240	
		LD6-A	2	200-600	240	
		LD6-A	3	200-600	240	
		LD6	2	200-600	240	
		LD6	3	200-600	240	
		LXD6-A	2	450-600	240	
		LXD6-A	3	450-600	240	
		LXD6	2	450-600	240	
		LXD6	3	450-600	240	
		SLD6-A	3	300-600	240	
	SLD6	3	300-600	240		
	NMG	2	500-800	240		
	NMG	3	500-800	240		
	MD6,MXD6	2	500-800	240		
	MD6,MXD6	3	500-800	240		
	SMD6	2	500-800	240		
	SMD6	3	500-800	240		
	QR2,QRH2,HQR2	2	100-250	240		
	ED4,ED6	1	15-100	120		
	ED4,ED6	2	15-125	240		
	ED6	3	15-125	240		
	1200	HNG (2, 3P)	QR2,QRH2,HQR2	2	100-250	240
	1200		ED4,ED6	1	15-100	120
	1200	HNG (2, 3P)	ED4,ED6	2	15-125	240
	1200		ED6	3	15-125	240
	1200	HNG (2, 3P)	NDGA,NDGB	2	50-150	240
	1200		NFGA,NFGB	3	50-150	240
	1200	HNG (2, 3P)	NFGA,NFGB	2	70-250	240
	1200		NFGA,NFGB	3	70-250	240
	1200	HNG (2, 3P)	FD6-A,FXD6-A	2	70-250	240
	1200		FD6,FXD6	3	70-250	240
	1200	HNG (2, 3P)	NJGA,NJJA	2	200-400	240
	1200		NJGA,NJJA	3	200-400	240
	1200	HNG (2, 3P)	JXD2-A	2	200-400	240
	1200		JXD2-A	3	200-400	240
	1200	HNG (2, 3P)	JXD2	2	200-400	240
	1200		JXD2	3	200-400	240
	1200	HNG (2, 3P)	JD6-A,JXD6-A	2	200-400	240
	1200		JD6-A,JXD6-A	3	200-400	240
	1200	HNG (2, 3P)	JD6,JXD6	2	200-400	240
	1200		JD6,JXD6	3	200-400	240
	1200	HNG (2, 3P)	SJD6-A	3	200-400	240
	1200		SJD6	3	200-400	240
	1200	HNG (2, 3P)	NLGA,NLGB	2	400-600	240
	1200		NLGA,NLGB	3	400-600	240
	1200	HNG (2, 3P)	LD6-A	2	200-600	240
	1200		LD6-A	3	200-600	240
	1200	HNG (2, 3P)	LD6	2	200-600	240
	1200		LD6	3	200-600	240
	1200	HNG (2, 3P)	LXD6-A	2	450-600	240
	1200		LXD6-A	3	450-600	240
	1200	HNG (2, 3P)	LXD6	2	450-600	240
	1200		LXD6	3	450-600	240
	1200	HNG (2, 3P)	SLD6-A	3	300-600	240
	1200		SLD6	3	300-600	240
	1200	HNG (2, 3P)	NMG	2	500-800	240
	1200		NMG	3	500-800	240
	1200	HNG (2, 3P)	MD6,MXD6	2	500-800	240
	1200		MD6,MXD6	3	500-800	240
	1200	HNG (2, 3P)	SMD6	2	500-800	240
1200	SMD6		3	500-800	240	
1200	HNG (2, 3P)	QR2,QRH2,HQR2	2	100-250	240	
1200		ED4,ED6	1	15-100	120	
1200	HNG (2, 3P)	ED4,ED6	2	15-125	240	
1200		ED6	3	15-125	240	

Series Rating	Main Breaker		Branch Breaker			
	Max. Amps	Type	Type	Poles	Amps	Volts
100,000	1200	HNG (2, 3P)	NDGA,NDGB	2	50-150	240
			NFGA,NFGB	2	70-250	240
			FD6-A,FXD6-A	2	70-250	240
			FD6,FXD6	2	70-250	240
			NJGA,NJJA	2	200-400	240
			JD6-A,JXD6-A	2	200-400	240
			JD6,JXD6	2	200-400	240
			NLGA,NLGB	2	400-600	240
			LD6,LD6-A	2	200-600	240
			LXD6-A,LXD6	2	450-600	240
			LMD6,LMXD6	2	600-800	240
			NMG	2	600-800	240
			NNG	2	800-1200	240
			ND6,NXD6	2	600-1200	240
			QR2,QRH2,HQR2	3	100-250	240
			ED4,ED6	3	15-125	240
			NDGA,NDGB	3	50-150	240
			NFGA,NFGB	3	70-250	240
			FD6-A,FXD6-A	3	70-250	240
			FD6,FXD6	3	70-250	240
		NJGA,NJJA	3	200-400	240	
		JD6-A,JXD6-A	3	200-400	240	
		JD6,JXD6	3	200-400	240	
		NLGA,NLGB	3	400-600	240	
		LD6,LD6-A	3	200-600	240	
		LXD6-A,LXD6	3	450-600	240	
		LMD6,LMXD6	3	600-800	240	
		NMG	3	600-800	240	
		NNG	3	800-1200	240	
		ND6,NXD6	3	600-1200	240	
		QR2,QRH2,HQR2	2	100-250	240	
		NDGA,NDGB	2	50-150	240	
		NFGA,NFGB	2	70-250	240	
		FD6-A,FXD6-A	2	70-250	240	
		FD6,FXD6	2	70-250	240	
		NJGA,NJJA	2	200-400	240	
		JXD2-A	2	200-400	240	
		JXD2	2	200-400	240	
		JD6-A,JXD6-A	2	200-400	240	
		JD6,JXD6	2	200-400	240	
		NLGA,NLGB	2	400-600	240	
		LD6-A	2	200-600	240	
		LD6	2	200-600	240	
		LXD6-A	2	450-600	240	
		LXD6	2	450-600	240	
		NMG	2	500-800	240	
		MD6,MXD6	2	500-800	240	
		NNG	2	800-1200	240	
		ND6,NXD6	2	500-1200	240	
		QR2,QRH2,HQR2	3	100-250	240	
	NDGA,NDGB	3	50-150	240		
	NFGA,NFGB	3	70-250	240		
	FD6-A,FXD6-A	3	70-250	240		
	FD6,FXD6	3	70-250	240		
	NJGA,NJJA	3	200-400	240		
	JXD2-A	3	200-400	240		
	JXD2	3	200-400	240		
	JD6-A,JXD6-A	3	200-400	240		
	JD6,JXD6	3	200-400	240		
	SJD6-A	3	200-400	240		
	SJD6	3	200-400	240		
	NLGA,NLGB	3	400-600	240		

# Molded Case Circuit Breakers

## Series Connected Short Circuit Ratings

General

240V Series Ratings (Continued)

240V Series Ratings (Continued)

Series Rating	Main Breaker		Branch Breaker				
	Max. Amps	Type	Type	Poles	Amps	Volts	
100,000	1200	HND6,HNXD6 (3P)	LD6-A	3	200-600	240	
			LD6	3	200-600	240	
			LXD6-A	3	450-600	240	
			LXD6	3	450-600	240	
			SLD6-A	3	300-600	240	
			SLD6	3	300-600	240	
			NMG	3	500-800	240	
			MD6,MXD6	3	500-800	240	
			SMD6	3	500-800	240	
			NNG	3	800-1200	240	
			ND6,NXD6	3	500-1200	240	
			SND6	3	500-1200	240	
			QR2,QRH2,HQR2	2	100-250	240	
			ED4	1	15-100	240	
			ED4,ED6	2	15-125	240	
			ED4,ED6	3	15-125	240	
			NDGA,NDGB	2	50-150	240	
			NDGA,NDGB	3	50-150	240	
			NFGA,NFGB	2	70-250	240	
			NFGA,NFGB	3	70-250	240	
		FD6-A,FXD6-A	2	70-250	240		
		FD6-A,FXD6-A	3	70-250	240		
		FD6,FXD6	2	70-250	240		
		FD6,FXD6	3	70-250	240		
		NJGA,NJJA	2	200-400	240		
		NJGA,NJJA	3	200-400	240		
		JXD2-A	2	200-400	240		
		JXD2-A	3	200-400	240		
		JXD2	2	200-400	240		
		JXD2	3	200-400	240		
		JD6-A,JXD6-A	2	200-400	240		
		JD6-A,JXD6-A	3	200-400	240		
		JD6,JXD6	2	200-400	240		
		JD6,JXD6	3	200-400	240		
		SHND6 (3P)	SJD6-A	3	200-400	240	
			SJD6	3	200-400	240	
			NLGA,NLGB	2	400-600	240	
			NLGA,NLGB	3	400-600	240	
			LD6-A	2	200-600	240	
			LD6-A	3	200-600	240	
			LD6	2	200-600	240	
			LD6	3	200-600	240	
			LXD6-A	2	450-600	240	
			LXD6-A	3	450-600	240	
			LXD6	2	450-600	240	
			LXD6	3	450-600	240	
			SLD6-A	3	300-600	240	
			SLD6	3	200-600	240	
			NMG	2	500-800	240	
			NMG	3	500-800	240	
	MD6,MXD6		2	500-800	240		
	MD6,MXD6		3	500-800	240		
	SMD6		3	500-800	240		
	NNG		2	800-1200	240		
	NNG		3	800-1200	240		
	ND6,NXD6		2	500-1200	240		
	ND6,NXD6		3	500-1200	240		
	SND6		3	500-1200	240		
	1600		HPG (3P)	QR2,QRH2,HQR2	2	100-250	240
				QR2,QRH2,HQR2	3	100-250	240
				ED4,ED6	1	15-100	240
				ED4,ED6	2	15-125	240
				ED4,ED6	3	15-125	240

Series Rating	Main Breaker		Branch Breaker				
	Max. Amps	Type	Type	Poles	Amps	Volts	
100,000	1600	HPG (3P)	NDGA,NDGB	2	50-150	240	
			NDGA,NDGB	3	50-150	240	
			NFGA,NFGB	2	70-250	240	
			NFGA,NFGB	3	70-250	240	
			FD6-A,FXD6-A	2	70-250	240	
			FD6-A,FXD6-A	3	70-250	240	
			FD6,FXD6	2	70-250	240	
			FD6,FXD6	3	70-250	240	
			NJGA,NJJA	2	200-400	240	
			NJGA,NJJA	3	200-400	240	
			JD6-A,JXD6-A	2	200-400	240	
			JD6-A,JXD6-A	3	200-400	240	
			JD6,JXD6	2	200-400	240	
			JD6,JXD6	3	200-400	240	
			NLGA,NLGB	2	400-600	240	
			NLGA,NLGB	3	400-600	240	
			LD6,LD6-A	2	200-600	240	
			LD6,LD6-A	3	200-600	240	
			LXD6-A,LXD6	2	450-600	240	
			LXD6-A,LXD6	3	450-600	240	
			LMD6,LMXD6	2	600-800	240	
			LMD6,LMXD6	3	600-800	240	
			NMG	2	600-800	240	
			NMG	3	600-800	240	
			MD6,MXD6	2	400-800	240	
			MD6,MXD6	3	400-800	240	
			NNG	2	800-1200	240	
			NNG	3	800-1200	240	
			ND6,NXD6	2	600-1200	240	
			ND6,NXD6	3	600-1200	240	
			NPG	2	1200-1600	240	
			NPG	3	1200-1600	240	
			PD6,PXD6	2	1200-1600	240	
			PD6,PXD6	3	1200-1600	240	
			HPD6,HPXD6 (3P)	QR2,QRH2,HQR2	2	100-250	240
				QR2,QRH2,HQR2	3	100-250	240
				ED4	1	15-100	120
				ED4,ED6	2	15-125	240
				ED4,ED6	3	15-125	240
				NDGA,NDGB	2	50-150	240
				NDGA,NDGB	3	50-150	240
				NFGA,NFGB	2	70-250	240
				NFGA,NFGB	3	70-250	240
				FXD6-A,FD6-A	2	70-250	240
				FXD6-A,FD6-A	3	70-250	240
				FXD6,FD6	2	70-250	240
				FXD6,FD6	3	70-250	240
				NJGA,NJJA	2	200-400	240
				NJGA,NJJA	3	200-400	240
				JXD2-A	2	200-400	240
	JXD2-A	3		200-400	240		
	JXD2	2		200-400	240		
	JXD2	3		200-400	240		
	JXD6-A,JD6-A	2		200-400	240		
	JXD6-A,JD6-A	3		200-400	240		
	JXD6,JD6	2		200-400	240		
	JXD6,JD6	3		200-400	240		
	SJD6-A	3		200-400	240		
	SJD6	3		200-400	240		
	NLGA,NLGB	2		400-600	240		
	NLGA,NLGB	3		400-600	240		
	LD6-A	2		200-600	240		
	LD6-A	3		200-600	240		

# Molded Case Circuit Breakers

## Series Connected Short Circuit Ratings

General

240V Series Ratings (Continued)

240V Series Ratings (Continued)

Series Rating	Main Breaker		Branch Breaker					
	Max. Amps	Type	Type	Poles	Amps	Volts		
100,000	1600	HPD6,HPXD6 (3P)	LD6	2	200-600	240		
				3	200-600	240		
			LXD6-A	2	450-600	240		
				3	450-600	240		
			LXD6	2	450-600	240		
				3	450-600	240		
			SLD6-A	3	300-600	240		
			SLD6	3	300-600	240		
			NMG	2	600-800	240		
				3	600-800	240		
			MD6,MXD6	2	500-800	240		
				3	500-800	240		
			SMD6	3	500-800	240		
			NNG	2	800-1200	240		
				3	800-1200	240		
			ND6,NXD6	2	500-1200	240		
				3	500-1200	240		
			SND6	3	500-1200	240		
			NPG	2	1200-1600	240		
				3	1200-1600	240		
			PD6,PXD6	2	1200-1600	240		
				3	1200-1600	240		
			SPD6	3	1400-1600	240		
				SHPD6 (3P)	QR2,QRH2,HQR2	2	100-250	240
					3	100-250	240	
			ED4		1	15-100	120	
			ED4,ED6		2	15-125	240	
		3	15-125		240			
	NDGA,NDGB	2	50-150		240			
		3	50-150		240			
	NFGA,NFGB	2	70-250		240			
		3	70-250		240			
	FXD6-A,FD6-A	2	70-250		240			
		3	70-250		240			
	FXD6,FD6	2	70-250		240			
		3	70-250		240			
	NJGA,NJJA	2	200-400		240			
		3	200-400		240			
	JXD2-A	2	200-400		240			
		3	200-400		240			
	JXD2	2	200-400		240			
		3	200-400		240			
	JXD6-A,JD6-A	2	200-400		240			
		3	200-400		240			
	JXD6,JD6	2	200-400		240			
		3	200-400		240			
	SJD6-A	3	200-400		240			
	SJD6	3	200-400		240			
	NLGA,NLGB	2	400-600		240			
		3	400-600		240			
	LD6-A	2	200-600	240				
		3	200-600	240				
	LD6	2	200-600	240				
		3	200-600	240				
LXD6-A	2	450-600	240					
	3	450-600	240					
LXD6	2	450-600	240					
	3	450-600	240					
SLD6-A	3	300-600	240					
SLD6	3	300-600	240					
NMG	2	600-800	240					
	3	600-800	240					
MD6,MXD6	2	500-800	240					
	3	500-800	240					

Series Rating	Main Breaker		Branch Breaker					
	Max. Amps	Type	Type	Poles	Amps	Volts		
100,000	1600	SHPD6 (3P)	SMD6	3	500-800	240		
			NNG	2	800-1200	240		
				3	800-1200	240		
			ND6,NXD6	2	500-1200	240		
				3	500-1200	240		
			SND6	3	500-1200	240		
			NPG	2	1200-1600	240		
				3	1200-1600	240		
			PD6,PXD6	2	1200-1600	240		
				3	1200-1600	240		
			SPD6	3	1400-1600	240		
				HRD6,HRXD6 (3P)	QR2,QRH2,HQR2	2	100-250	240
					3	100-250	240	
			ED4		1	15-100	120	
			ED4,ED6		2	15-125	240	
					3	15-125	240	
			NDGA,NDGB		2	50-150	240	
					3	50-150	240	
	NFGA,NFGB	2	70-250		240			
		3	70-250		240			
	FXD6-A,FD6-A	2	70-250		240			
		3	70-250		240			
	FXD6,FD6	2	70-250		240			
		3	70-250		240			
	NJGA,NJJA	2	200-400		240			
		3	200-400		240			
	JXD2-A	2	200-400		240			
		3	200-400		240			
	JXD2	2	200-400		240			
		3	200-400		240			
	JXD6-A,JD6-A	2	200-400		240			
		3	200-400		240			
	JXD6,JD6	2	200-400		240			
		3	200-400		240			
	SJD6-A	3	200-400		240			
	SJD6	3	200-400		240			
	NLGA,NLGB	2	400-600		240			
		3	400-600		240			
	LD6-A	2	200-600		240			
		3	200-600		240			
	LD6	2	200-600		240			
		3	200-600		240			
	LXD6-A	2	450-600		240			
		3	450-600		240			
	LXD6	2	450-600		240			
		3	450-600		240			
	SLD6-A	3	300-600		240			
	SLD6	3	300-600	240				
	NMG	2	600-800	240				
		3	600-800	240				
	MD6,MXD6	2	500-800	240				
		3	500-800	240				
	SMD6	3	500-800	240				
	NNG	2	800-1200	240				
	3	800-1200	240					
ND6,NXD6	2	500-1200	240					
	3	500-1200	240					
SND6	3	500-1200	240					
NPG	2	1200-1600	240					
	3	1200-1600	240					
PD6,PXD6	2	1200-1600	240					
	3	1200-1600	240					
SPD6	3	1400-1600	240					
RD6,RXD6	2	1600-2000	240					
	3	1600-2000	240					

# Molded Case Circuit Breakers

## Series Connected Short Circuit Ratings

General

240V Series Ratings (Continued)

240V Series Ratings (Continued)

Series Rating	Main Breaker		Branch Breaker			
	Max. Amps	Type	Type	Poles	Amps	Volts
200,000	125	CED6 (2, 3P)	QP,BQ,BL	1	15-70	120/240
				2	15-125	120/240
			QPH	1	15-70	120/240
				2	15-125	120/240
			BQH,BLH	1	15-70	120/240
				2	15-125	120/240
			HQP	1	15-70	120/240
				2	15-125	120/240
			HBO,HBL	1	15-70	120/240
				2	15-125	120/240
			QT	1	15-50	120/240
			QT	1,2	15-50	120/240
			QPF,BQF,BLF	1	15-30	120
			QPF,BLF	2	15-60	120/240
			QE,BE,BLE	1	15-30	120
			QE,BLE	2	15-60	120/240
			QPHF,BQHF	1	15-30	120
			QPHF,BLHF	2	15-60	120/240
			BLHF	1	15-30	120
			QEH,BLEH	1	15-30	120
			QEH,BLEH	2	15-60	120/240
			QAF,BQAF,BAF	1	15-20	120
			QAFH,BQAFH	1	15-20	120
			BAFH	1	15-20	120
			QAF2,BAF2	1	15-20	120
			QAFH2,BAFH2	1	15-20	120
			HQAF2,HBAF2	1	15-20	120
			QFGA2,BFGA2	1	15-20	120
			QFGAH2,BFGAH2	1	15-20	120
			HQFGA2,HBFGA2	1	15-20	120
		ED4	1	15-100	120	
		ED4,ED6	2	15-125	240	
		HED4	1	15-100	120	
		HED4,HED6	2	15-125	240	
		CED6 (3P)	QP,BQ,BL	3	15-100	240
			QPH	3	15-100	240
			BQH,BLH	3	15-100	240
			HQP	3	15-100	240
			HBO,HBL	3	15-100	240
			ED4,ED6	3	15-125	240
			HED4,HED6	3	15-125	240
		150	LDGA (2, 3P)	1	15-125	120
				2	15-125	240
				2	50-150	240
			LDGA (3P)	1	15-125	240
				3	50-150	240
				3	50-150	240
			LDGB (2, 3P)	1	15-125	120
				2	15-125	240
				2	50-150	240
			LDGB (3P)	1	15-125	240
				3	50-150	240
				3	50-150	240
		250	LFGA (2, 3P)	1	15-125	120
2	15-125			240		
2	50-150			240		
2	50-150			240		
2	70-250			240		
2	70-250			240		
2	70-250			240		
2	70-250			240		
2	70-250			240		
2	70-250			240		

Series Rating	Main Breaker		Branch Breaker			
	Max. Amps	Type	Type	Poles	Amps	Volts
200,000	250	LFGB (3P)	1	15-125	120	
			2	15-125	240	
			3	15-125	240	
			3	50-150	240	
			3	50-150	240	
			3	70-250	240	
			3	70-250	240	
			3	70-250	240	
			3	70-250	240	
			3	70-250	240	
			3	70-250	240	
			3	70-250	240	
			3	70-250	240	
			3	70-250	240	
			3	70-250	240	
		LFGB (2, 3P)	1	15-125	120	
			2	15-125	240	
			2	50-150	240	
			2	50-150	240	
			2	70-250	240	
			2	70-250	240	
			2	70-250	240	
			2	70-250	240	
			2	70-250	240	
			2	70-250	240	
			2	70-250	240	
			2	70-250	240	
			2	70-250	240	
			2	70-250	240	
			LFGB (3P)	1	15-125	120
		2		15-125	240	
		2		50-150	240	
		2		50-150	240	
		2		70-250	240	
		2		70-250	240	
		2		70-250	240	
		2		70-250	240	
		2		70-250	240	
		2		70-250	240	
		2		70-250	240	
		2		70-250	240	
		2		70-250	240	
		2		70-250	240	
		CFD6(-A) (2, 3P)		QP,BQ,BL	1	15-70
			2	15-125	120/240	
			QPH	1	15-70	120/240
			2	15-125	120/240	
			BQH,BLH	1	15-70	120/240
			2	15-125	120/240	
			HQP	1	15-70	120/240
			2	15-125	120/240	
			HBO,HBL	1	15-70	120/240
			2	15-125	120/240	
			QP,BQ,BL	3	15-100	240
QPH	3		15-100	240		
BQH,BLH	3		15-100	240		
HQP	3		15-100	240		
HBO,HBL	3		15-100	240		
ED4,ED6	3		15-125	240		
HED4,HED6	3		15-125	240		
QPF,BQF,BLF	1		15-30	120		
QPF,BLF	2		15-60	120/240		
QE,BE,BLE	1		15-30	120		
QE,BLE	2		15-60	120/240		
QPHF,BQHF	1		15-30	120		
QPHF,BLHF	2		15-60	120/240		
BLHF	1		15-30	120		
QEH,BLEH	1		15-30	120		
2	15-60	120/240				
QAF,BQAF,BAF	1	15-20	120			
QAFH,BQAFH	1	15-20	120			
BAFH	1	15-20	120			
QAF2,BAF2	1	15-20	120			
QAFH2,BAFH2	1	15-20	120			
HQAF2,HBAF2	1	15-20	120			
QFGA2,BFGA2	1	15-20	120			
QFGAH2,BFGAH2	1	15-20	120			
HQFGA2,HBFGA2	1	15-20	120			
QPP	2	125-225	120/240			
QPPH	2	125-225	120/240			
QJ2	2	60-225	240			
QJH2	2	60-225	240			
QJ2H	2	60-225	240			
ED2	1	15-100	120			
ED2	2	15-100	240			
ED4	1	15-100	120			
ED4,ED6	2	15-125	240			
HED4	1	15-100	120			
HED4,HED6	2	15-125	240			
NDGB,HDGB	2	50-150	240			
NDGA,HDGA	2	50-150	240			

5 MOLDED CASE CIRCUIT BREAKERS



# Molded Case Circuit Breakers

## Series Connected Short Circuit Ratings

General

240V Series Ratings (Continued)

240V Series Ratings (Continued)

Series Rating	Main Breaker		Branch Breaker			
	Max. Amps	Type	Type	Poles	Amps	Volts
200,000	250	CFD6(-A) (2, 3P)	NFGA,HFGA	2	70-250	240
			NFGB,HFGB	2	70-250	240
			FXD6-A,FD6-A	2	70-250	240
			FXD6,FD6	2	70-250	240
			HFD6,HFXD6	2	70-250	240
		CFD6(-A) (3P)	QPBO,BL	3	15-100	240
			QPH	3	15-100	240
			BQH,BLH	3	15-100	240
			HQP	3	15-100	240
			HBO,HBL	3	15-100	240
			QJ2	3	60-225	240
			QJH2	3	60-225	240
			QJ2H	3	60-225	240
			ED2	3	15-100	240
			ED4,ED6	3	15-125	240
			HED4,HED6	3	15-125	240
	400	LJGA (2, 3P)	NGB,HGB,LGB	1	15-125	120
				2	15-125	240
			NDGB,HDGB	2	50-150	240
			NDGA,HDGA	2	50-150	240
			NFGA,HFGA	2	70-250	240
			NFGB,HFGB	2	70-250	240
			HFD6,HFXD6	2	70-250	240
			NJGA,NJJA	2	200-400	240
		HJGA	2	200-400	240	
		LJGA (3P)	NGB,HGB,LGB	3	15-125	240
			NDGB,HDGB	3	50-150	240
			NDGA,HDGA	3	50-150	240
			NFGA,HFGA	3	70-250	240
			NFGB,HFGB	3	70-250	240
			HFD6,HFXD6	3	70-250	240
	NJGA,NJJA		3	200-400	240	
HJGA	3	200-400	240			
HHJD6 (2, 3P)	NDGB,HDGB	2	50-150	240		
	NDGA,HDGA	2	50-150	240		
	NFGA,HFGA	2	70-250	240		
	NFGB,HFGB	2	70-250	240		
	FXD6-A,FD6-A	2	70-250	240		
	FXD6,FD6	2	70-250	240		
	HFXD6,HFD6	2	70-250	240		
	NJGA,NJJA	2	200-400	240		
	HJGA	2	200-400	240		
	HHJD6 (3P)	NDGB,HDGB	3	50-150	240	
NDGA,HDGA		3	50-150	240		
NFGA,HFGA		3	70-250	240		
NFGB,HFGB		3	70-250	240		
FXD6-A,FD6-A		3	70-250	240		
FXD6,FD6		3	70-250	240		
HFXD6,HFD6		3	70-250	240		
NJGA,NJJA		3	200-400	240		
HJGA		3	200-400	240		
HHJXD6(2, 3P)		NDGB,HDGB	2	50-150	240	
	NDGA,HDGA	2	50-150	240		
	NFGA,HFGA	2	70-250	240		
	NFGB,HFGB	2	70-250	240		
	FXD6-A,FD6-A	2	70-250	240		

Series Rating	Main Breaker		Branch Breaker				
	Max. Amps	Type	Type	Poles	Amps	Volts	
200,000	400	HHJXD6(2, 3P)	FXD6,FD6	2	70-250	240	
			HFXD6,HFD6	2	70-250	240	
			NJGA,NJJA	2	200-400	240	
			HJGA	2	200-400	240	
		HHJXD6 (3P)	NDGB,HDGB	3	50-150	240	
			NDGA,HDGA	3	50-150	240	
			NFGB,HFGB	3	70-250	240	
			FXD6-A,FD6-A	3	70-250	240	
			FXD6,FD6	3	70-250	240	
			HFXD6,HFD6	3	70-250	240	
			NJGA,NJJA	3	200-400	240	
			HJGA	3	200-400	240	
			CJD6(-A) (2, 3P)	QPH	2	100-125	120/240
				BQH,BLH	2	100-125	120/240
		HQP		2	100-125	120/240	
		HBO,HBL		2	100-125	120/240	
		QT		1,2	15-30	120/240	
		ED4,ED6		2	15-125	240	
		NDGB,HDGB		2	50-150	240	
		NDGA,HDGA		2	50-150	240	
		NFGA,HFGA		2	70-250	240	
		NFGB,HFGB		2	70-250	240	
		CJD6(-A) (3P)	FXD6-A,FD6-A	2	70-250	240	
			FXD6,FD6	2	70-250	240	
	HFD6,HFXD6		2	70-250	240		
	NJGA,NJJA		2	200-400	240		
	HJGA		2	200-400	240		
	JXD2-A		2	200-400	240		
	JXD2		2	200-400	240		
	JD6-A,JXD6-A		2	200-400	240		
	JD6,JXD6		2	200-400	240		
	HJD6-A		2	200-400	240		
	HJXD6-A		2	200-400	240		
	HJD6,HJXD6		2	200-400	240		
	CJD6(-A) (3P)		QPH	3	100	240	
			BQH,BLH	3	100	240	
			HQP	3	100	240	
		HBO,HBL	3	100	240		
		ED4,ED6	3	15-125	240		
		NDGB,HDGB	3	50-150	240		
		NDGA,HDGA	3	50-150	240		
		NFGA,HFGA	3	70-250	240		
		NFGB,HFGB	3	70-250	240		
		FXD6-A,FD6-A	3	70-250	240		
		FXD6,FD6	3	70-250	240		
		HFD6,HFXD6	3	70-250	240		
		NJGA,NJJA	3	200-400	240		
		HJGA	3	200-400	240		
	CJD6(-A),CJD6-A (2, 3P)	JXD2-A	3	200-400	240		
JXD2		3	200-400	240			
JD6-A,JXD6-A		3	200-400	240			
JD6,JXD6		3	200-400	240			
HJD6-A		3	200-400	240			
HJXD6-A		3	200-400	240			
HJD6,HJXD6		3	200-400	240			
600	LLGA (2, 3P)	NGB,HGB,LGB	1	15-125	120		
			2	15-125	240		
		NDGB,HDGB	2	50-150	240		
		NDGA,HDGA	2	50-150	240		

# Molded Case Circuit Breakers

## Series Connected Short Circuit Ratings

General

240V Series Ratings (Continued)

240V Series Ratings (Continued)

Series Rating	Main Breaker		Branch Breaker				
	Max. Amps	Type	Type	Poles	Amps	Volts	
200,000	600	LLGA (2, 3P)	NFGA,HFGA	2	70-250	240	
			NFGB,HFGB	2	70-250	240	
			HFD6,HFXD6	2	70-250	240	
			NJGA,NJJA	2	200-400	240	
			HJGA	2	200-400	240	
			NLGA,HLGA	2	400-600	240	
		NLGB,HLGB	2	400-600	240		
		LLGA (3P)	NGB,HGB,LGB	3	15-125	240	
			NDGB,HDGB	3	50-150	240	
			NDGA,HDGA	3	50-150	240	
			NFGA,HFGA	3	70-250	240	
			NFGB,HFGB	3	70-250	240	
			HFD6,HFXD6	3	70-250	240	
			NJGA,NJJA	3	200-400	240	
			HJGA	3	200-400	240	
		NLGA,HLGA	3	400-600	240		
		NLGB,HLGB	3	400-600	240		
		LLGB (2, 3P)	NGB,HGB,LGB	1	15-125	120	
				2	15-125	240	
			NDGB,HDGB	2	50-150	240	
			NDGA,HDGA	2	50-150	240	
			NFGA,HFGA	2	70-250	240	
			NFGB,HFGB	2	70-250	240	
			HFD6,HFXD6	2	70-250	240	
			NJGA,NJJA	2	200-400	240	
			HJGA	2	200-400	240	
			NLGA,HLGA	2	400-600	240	
		NLGB,HLGB	2	400-600	240		
		LLGB (3P)	NGB,HGB,LGB	3	15-125	240	
			NDGB,HDGB	3	50-150	240	
			NDGA,HDGA	3	50-150	240	
			NFGA,HFGA	3	70-250	240	
			NFGB,HFGB	3	70-250	240	
			HFD6,HFXD6	3	70-250	240	
			NJGA,NJJA	3	200-400	240	
			HJGA	3	200-400	240	
			NLGA,HLGA	3	400-600	240	
			NLGB,HLGB	3	400-600	240	
		HHL6 (2, 3P)	NDGB,HDGB	2	50-150	240	
			NDGA,HDGA	2	50-150	240	
			NFGA,HFGA	2	70-250	240	
			NFGB,HFGB	2	70-250	240	
			FXD6-A,FD6-A	2	70-250	240	
			FXD6,FD6	2	70-250	240	
			HFXD6,HFD6	2	70-250	240	
			NJGA,NJJA	2	200-400	240	
			HJGA	2	200-400	240	
			NLGA,HLGA	2	400-600	240	
			NLGB,HLGB	2	400-600	240	
			HHL6 (3P)	NDGB,HDGB	3	50-150	240
				NDGA,HDGA	3	50-150	240
				NFGA,HFGA	3	70-250	240
		NFGB,HFGB		3	70-250	240	
		FXD6-A,FD6-A		3	70-250	240	
		FXD6,FD6		3	70-250	240	
		HFXD6,HFD6		3	70-250	240	
		NJGA,NJJA		3	200-400	240	
		HJGA		3	200-400	240	
		NLGA,HLGA		3	400-600	240	
		NLGB,HLGB		3	400-600	240	
		HHLXD6 (2, 3P)		NDGB,HDGB	2	50-150	240
				NDGA,HDGA	2	50-150	240
				NFGA,HFGA	2	70-250	240
			NFGB,HFGB	2	70-250	240	
			NFGA,HFGA	2	70-250	240	
			NFGB,HFGB	2	70-250	240	

Series Rating	Main Breaker		Branch Breaker				
	Max. Amps	Type	Type	Poles	Amps	Volts	
200,000	600	HHLXD6 (2, 3P)	NFGB,HFGB	2	70-250	240	
			FXD6-A,FD6-A	2	70-250	240	
			FXD6,FD6	2	70-250	240	
			HFXD6,HFD6	2	70-250	240	
			NJGA,NJJA	2	200-400	240	
			HJGA	2	200-400	240	
			NLGA,HLGA	2	400-600	240	
			NLGB,HLGB	2	400-600	240	
			HHLXD6 (3P)	NDGB,HDGB	3	50-150	240
				NDGA,HDGA	3	50-150	240
		NFGA,HFGA		3	70-250	240	
		NFGB,HFGB		3	70-250	240	
		FXD6-A,FD6-A		3	70-250	240	
		FXD6,FD6		3	70-250	240	
		HFXD6,HFD6		3	70-250	240	
		NJGA,NJJA		3	200-400	240	
		HJGA		3	200-400	240	
		NLGA,HLGA		3	400-600	240	
		NLGB,HLGB	3	400-600	240		
		CLD6(-A) (2, 3P)	QPH	2	100-125	120/240	
			BQH,BLH	2	100-125	120/240	
			HQP	2	100-125	120/240	
			HBO,HBL	2	100-125	120/240	
			QT	1,2	15-30	120/240	
			NGB,HGB,LGB	1	15-125	120	
				2	15-125	240	
			ED4,ED6	2	15-125	240	
			NDGB,HDGB	2	50-150	240	
			NDGA,HDGA	2	50-150	240	
			NFGA,HFGA	2	70-250	240	
			NFGB,HFGB	2	70-250	240	
			FXD6-A,FD6-A	2	70-250	240	
			FXD6,FD6	2	70-250	240	
			HFD6,HFXD6	2	70-250	240	
			NJGA,NJJA	2	200-400	240	
			HJGA	2	200-400	240	
			JXD2-A	3	200-400	240	
			JXD2	3	200-400	240	
			JD6-A,JXD6-A	2	200-400	240	
			JD6,JXD6	2	200-400	240	
			HJD6-A	2	200-400	240	
			HJXD6-A	2	200-400	240	
			HJD6,HJXD6	2	200-400	240	
			NLGA,HLGA	2	400-600	240	
			NLGB,HLGB	2	400-600	240	
			LD6-A	2	200-600	240	
			LD6	2	200-600	240	
			LXD6-A	2	450-600	240	
			LXD6	2	450-600	240	
		HLD6-A	2	200-600	240		
		HLD6	2	200-600	240		
		HLXD6-A	2	450-600	240		
		HLXD6	2	450-600	240		
		CLD6(-A) (3P)	QPH	3	100	240	
			BQH,BLH	3	100	240	
			HQP	3	100	240	
			HBO,HBL	3	100	240	
			NGB,HGB,LGB	3	15-125	240	
			ED4,ED6	3	15-125	240	
			NDGB,HDGB	3	50-150	240	
			NDGA,HDGA	3	50-150	240	
			NFGA,HFGA	3	70-250	240	
			NFGB,HFGB	3	70-250	240	

5 MOLDED CASE CIRCUIT BREAKERS

# Molded Case Circuit Breakers

## Series Connected Short Circuit Ratings

General

240V Series Ratings (Continued)

240V Series Ratings (Continued)

Series Rating	Main Breaker		Branch Breaker			
	Max. Amps	Type	Type	Poles	Amps	Volts
200,000	600	CLD6(-A) (3P)	FXD6-A,FD6-A	3	70-250	240
			FXD6,FD6	3	70-250	240
			HFD6,HFXD6	3	70-250	240
			NJGA,NJJA	3	200-400	240
			HJGA	3	200-400	240
			JXD2-A	2	200-400	240
			JXD2	2	200-400	240
			JD6-A,JXD6-A	3	200-400	240
			JD6,JXD6	3	200-400	240
			HJD6-A	3	200-400	240
			HJXD6-A	3	200-400	240
			HJD6,HJXD6	3	200-400	240
			NLGA,HLGA	3	400-600	240
			NLGB,HLGB	3	400-600	240
			LD6-A	3	200-600	240
			LD6	3	200-600	240
			LXD6-A	3	450-600	240
			LXD6	3	450-600	240
			HLD6-A	3	200-600	240
			HLD6	3	200-600	240
			HLXD6-A	3	450-600	240
	HLXD6	3	450-600	240		
	800	LMG (2, 3P)	NDGB,HDGB	2	50-150	240
			NDGA,HDGA	2	50-150	240
			NFGA,HFGA	2	70-250	240
			NFGB,HFGB	2	70-250	240
			HFD6,HFXD6	2	70-250	240
			NJGA,NJJA	2	200-400	240
			HJGA	2	200-400	240
		LMG (3P)	NLGA,HLGA	2	400-600	240
			NLGB,HLGB	2	400-600	240
			MD6,MXD6	2	400-800	240
			HMD6,HMXD6	2	400-800	240
			NDGB,HDGB	3	50-150	240
			NDGA,HDGA	3	50-150	240
			NFGA,HFGA	3	70-250	240
			NFGB,HFGB	3	70-250	240
	CMD6 (2, 3P)	HFD6,HFXD6	3	70-250	240	
		NJGA,NJJA	3	200-400	240	
		HJGA	3	200-400	240	
		NLGA,HLGA	3	400-600	240	
		NLGB,HLGB	3	400-600	240	
MD6,MXD6		3	400-800	240		
HMD6,HMXD6		3	400-800	240		
ED4,ED6		2	15-125	240		
HED4,HED6		2	15-125	240		
NDGB,HDGB		2	50-150	240		
NDGA,HDGA		2	50-150	240		
NFGA,HFGA		2	70-250	240		
NFGB,HFGB		2	70-250	240		
FXD6-A,FD6-A		2	70-250	240		
FXD6,FD6		2	70-250	240		
HFD6,HFXD6		2	70-250	240		
NJGA,NJJA		2	200-400	240		
HJGA		2	200-400	240		
JXD2-A		2	200-400	240		
JXD2	2	200-400	240			
JD6-A	2	200-400	240			
JD6	2	200-400	240			
JXD6-A	2	200-400	240			
JXD6	2	200-400	240			
HJD6-A	2	200-400	240			
HJXD6-A	2	200-400	240			

Series Rating	Main Breaker		Branch Breaker			
	Max. Amps	Type	Type	Poles	Amps	Volts
200,000	800	CMD6 (2, 3P)	HJD6,HJXD6	2	200-400	240
			NLGA,HLGA	2	400-600	240
			NLGB,HLGB	2	400-600	240
			LD6-A	2	200-600	240
			LD6	2	200-600	240
			LXD6-A	2	450-600	240
			LXD6	2	450-600	240
			HLD6-A	2	200-600	240
			HLD6	2	200-600	240
			HLXD6-A	2	450-600	240
			HLXD6	2	450-600	240
			MD6,MXD6	2	500-800	240
			HMD6,HMXD6	2	500-800	240
			ED4,ED6	3	15-125	240
			HED4,HED6	3	15-125	240
			NDGB,HDGB	3	50-150	240
			NDGA,HDGA	3	50-150	240
			NFGA,HFGA	3	70-250	240
			NFGB,HFGB	3	70-250	240
			FXD6-A,FD6-A	3	70-250	240
			FXD6,FD6	3	70-250	240
	HFD6,HFXD6	3	70-250	240		
	NJGA,NJJA	3	200-400	240		
	HJGA	3	200-400	240		
	JXD2-A	3	200-400	240		
	JXD2	3	200-400	240		
	JD6-A	3	200-400	240		
	JD6	3	200-400	240		
	JXD6-A	3	200-400	240		
	JXD6	3	200-400	240		
	HJD6-A	3	200-400	240		
	HJXD6-A	3	200-400	240		
	CMD6 (3P)	NLGA,HLGA	3	400-600	240	
		NLGB,HLGB	3	400-600	240	
		MD6,MXD6	3	400-800	240	
		HMD6,HMXD6	3	400-800	240	
		NDGB,HDGB	3	50-150	240	
		NDGA,HDGA	3	50-150	240	
		NFGA,HFGA	3	70-250	240	
		NFGB,HFGB	3	70-250	240	
		FXD6-A,FD6-A	3	70-250	240	
		FXD6,FD6	3	70-250	240	
HFD6,HFXD6		3	70-250	240		
NJGA,NJJA		3	200-400	240		
HJGA		3	200-400	240		
JXD2-A		3	200-400	240		
JXD2		3	200-400	240		
JD6-A		3	200-400	240		
JD6		3	200-400	240		
JXD6-A		3	200-400	240		
JXD6		3	200-400	240		
HJD6-A		3	200-400	240		
HJXD6-A		3	200-400	240		
SCMD6(-A) (3P)	NDGB,HDGB	2	50-150	240		
	NDGA,HDGA	2	50-150	240		
	NFGA,HFGA	2	70-250	240		
	NFGB,HFGB	2	70-250	240		
	FXD6-A,FD6-A	2	70-250	240		
	FXD6,FD6	2	70-250	240		
	HFD6,HFXD6	2	70-250	240		
	NJGA,NJJA	2	200-400	240		
	HJGA	2	200-400	240		
	JXD2-A	2	200-400	240		
	JXD2	2	200-400	240		
	JD6-A	2	200-400	240		
	JD6	2	200-400	240		
	JXD6-A	2	200-400	240		
	JXD6	2	200-400	240		
	HJD6-A	2	200-400	240		
	HJXD6-A	2	200-400	240		
	MD6,MXD6	3	500-800	240		
	HMD6,HMXD6	3	500-800	240		

# Molded Case Circuit Breakers

## Series Connected Short Circuit Ratings

General

### 240V Series Ratings (Continued)

Series Rating	Main Breaker		Branch Breaker			
	Max. Amps	Type	Type	Poles	Amps	Volts
200,000	1200	LNG (2, 3P)	NDGB,HDGB	2	50-150	240
			NDGA,HDGA	2	50-150	240
			NFGA,HFGA	2	70-250	240
			NFGB,HFGB	2	70-250	240
			HFD6,HFXD6	2	70-250	240
			NJGA,NJJA	2	200-400	240
			HJGA	2	200-400	240
			NLGA,HLGA	2	400-600	240
			NLGB,HLGB	2	400-600	240
			MD6,MXD6	2	400-800	240
			HMD6,HMXD6	2	400-800	240
			ND6,NXD6	2	600-1200	240
			HND6,HNXD6	2	600-1200	240
			LNG (3P)	NDGB,HDGB	3	50-150
		NDGA,HDGA		3	50-150	240
		NFGA,HFGA		3	70-250	240
		NFGB,HFGB		3	70-250	240
		HFD6,HFXD6		3	70-250	240
		NJGA,NJJA		3	200-400	240
		HJGA		3	200-400	240
		NLGA,HLGA		3	400-600	240
		NLGB,HLGB		3	400-600	240
		MD6,MXD6		3	400-800	240
		HMD6,HMXD6		3	400-800	240
		ND6,NXD6		3	600-1200	240
		HND6,HNXD6		3	600-1200	240
		CND6 (2, 3P)		ED4,ED6	2	15-125
			HED4,HED6	2	15-125	240
			FXD6-A,FD6-A	2	70-250	240
			FXD6,FD6	2	70-250	240
			HFD6,HFXD6	2	70-250	240
			JXD2-A	2	200-400	240
			JXD2	2	200-400	240
			JD6-A	2	200-400	240
			JD6	2	200-400	240
			JXD6-A	2	200-400	240
			JXD6	2	200-400	240
			HJD6-A	2	200-400	240
			HJXD6-A	2	200-400	240
			HJD6,HJXD6	2	200-400	240
			LD6-A	2	200-600	240
			LD6	2	200-600	240
			LXD6-A	2	450-600	240
			CND6 (3P)	LXD6	2	450-600
		HLD6-A		2	200-600	240
		HLD6		2	200-600	240
		HLXD6-A		2	450-600	240
		HLXD6		2	450-600	240
		MD6,MXD6		2	500-800	240
		HMD6,HMXD6		2	500-800	240
		ND6,NXD6		2	500-1200	240
		HND6,HNXD6		2	500-1200	240
		ED4,ED6		3	15-125	240
		HED4,HED6		3	15-125	240
		FXD6-A,FD6-A		3	70-250	240
		FXD6,FD6		3	70-250	240
		HFD6,HFXD6		3	70-250	240
		JXD2-A		3	200-400	240
		JXD2		3	200-400	240
		JD6-A		3	200-400	240
		JD6		3	200-400	240
		JXD6-A	3	200-400	240	
		JXD6	3	200-400	240	

### 240V Series Ratings (Continued)

Series Rating	Main Breaker		Branch Breaker				
	Max. Amps	Type	Type	Poles	Amps	Volts	
200,000	1200	CND6 (3P)	HJD6-A	3	200-400	240	
			HJXD6-A	3	200-400	240	
			HJD6,HJXD6	3	200-400	240	
			LD6-A	3	200-600	240	
			LD6	3	200-600	240	
			LXD6-A	3	450-600	240	
			LXD6	3	450-600	240	
			HLD6-A	3	200-600	240	
			HLD6	3	200-600	240	
			HLXD6-A	3	450-600	240	
			HLXD6	3	450-600	240	
			MD6,MXD6	3	500-800	240	
			HMD6,HMXD6	3	500-800	240	
			ND6,NXD6	3	500-1200	240	
			HND6,HNXD6	3	500-1200	240	
			SCND6(-A) (3P)	NDGB,HDGB	2	50-150	240
				NDGA,HDGA	2	50-150	240
				NFGA,HFGA	2	70-250	240
				NFGB,HFGB	2	70-250	240
				HFD6,HFXD6	2	70-250	240
				NJGA,NJJA	2	200-400	240
				HJGA	2	200-400	240
				NLGA,HLGA	2	400-600	240
				NLGB,HLGB	2	400-600	240
				MD6,MXD6	2	500-800	240
				SMD6	3	500-800	240
				HMD6,HMXD6	2	500-800	240
				HMD6,HMXD6	3	500-800	240
				SHMD6	3	500-800	240
				ND6,NXD6	2	500-1200	240
				ND6,NXD6	3	500-1200	240
				SND6	3	500-1200	240
				HND6,HNXD6	2	500-1200	240
				HND6,HNXD6	3	500-1200	240
		SHND6		3	500-1200	240	
		LPG (3P)		NDGB,HDGB	2	50-150	240
				NDGB,HDGB	3	50-150	240
				NDGA,HDGA	2	50-150	240
				NDGA,HDGA	3	50-150	240
				NFGA,HFGA	2	70-250	240
				NFGA,HFGA	3	70-250	240
				NFGB,HFGB	2	70-250	240
				NFGB,HFGB	3	70-250	240
				HFD6,HFXD6	2	70-250	240
				HFD6,HFXD6	3	70-250	240
				NJGA,NJJA	2	200-400	240
				NJGA,NJJA	3	200-400	240
				HJGA	2	200-400	240
				HJGA	3	200-400	240
			NLGA,HLGA	2	400-600	240	
			NLGA,HLGA	3	400-600	240	
			NLGB,HLGB	2	400-600	240	
			NLGB,HLGB	3	400-600	240	
			MD6,HMXD6	2	400-800	240	
			MD6,HMXD6	3	400-800	240	

5 MOLDED CASE CIRCUIT BREAKERS

# Molded Case Circuit Breakers

## Series Connected Short Circuit Ratings

General

### 240V Series Ratings (Continued)

### 240V Series Ratings (Continued)

Series Rating	Main Breaker		Branch Breaker			
	Max. Amps	Type	Type	Poles	Amps	Volts
200,000	1600	LPG (3P)	HMD6,HMXD6	2	400-800	240
				3	400-800	240
			ND6,NXD6	2	600-1200	240
				3	600-1200	240
			HND6,HNXD6	2	600-1200	240
				3	600-1200	240
			PD6,PXD6	2	1200-1600	240
				3	1200-1600	240
			HPD6,HPXD6	2	1200-1600	240
				3	1200-1600	240
			NDGB,HDGB	2	50-150	240
				3	50-150	240
		NDGA,HDGA	2	50-150	240	
			3	50-150	240	
		NFGA,HFGA	2	70-250	240	
			3	70-250	240	
		NFGB,HFGB	2	70-250	240	
			3	70-250	240	
		FXD6-A,FD6-A	2	70-250	240	
			3	70-250	240	
		FXD6,FD6	2	70-250	240	
			3	70-250	240	
		HFD6,HFXD6	2	70-250	240	
			3	70-250	240	
		NJGA,NJJA	2	200-400	240	
			3	200-400	240	
		HJGA	2	200-400	240	
			3	200-400	240	
		JXD2-A	2	200-400	240	
			3	200-400	240	
		JXD2	2	200-400	240	
			3	200-400	240	
		JD6-A,JXD6-A	2	200-400	240	
			3	200-400	240	
		JD6,JXD6	2	200-400	240	
			3	200-400	240	
		HJD6-A	2	200-400	240	
			3	200-400	240	
		HJXD6-A	2	200-400	240	
			3	200-400	240	
		HJD6,HJXD6	2	200-400	240	
			3	200-400	240	
		NLGA,HLGA	2	400-600	240	
			3	400-600	240	
		NLGB,HLGB	2	400-600	240	
			3	400-600	240	
		LD6-A	2	200-600	240	
			3	200-600	240	
		LD6	2	200-600	240	
			3	200-600	240	
		LXD6-A	2	450-600	240	
			3	450-600	240	
LXD6	2	450-600	240			
	3	450-600	240			
HLD6-A	2	200-600	240			
	3	200-600	240			
HLD6	2	200-600	240			
	3	200-600	240			
HLXD6-A	2	450-600	240			
	3	450-600	240			
HLXD6	2	450-600	240			
	3	450-600	240			
MD6,MXD6	2	500-800	240			
	3	500-800	240			

Series Rating	Main Breaker		Branch Breaker			
	Max. Amps	Type	Type	Poles	Amps	Volts
200,000	1600	CPD6 (3P)	HMD6,HMXD6	2	500-800	240
				3	500-800	240
			ND6,NXD6	2	500-1200	240
				3	500-1200	240
			HND6,HNXD6	2	500-1200	240
				3	500-1200	240

# Molded Case Circuit Breakers

## Series Connected Short Circuit Ratings

General

### 480V Series Ratings

Series Rating	Main Breaker		Branch Breaker			
	Max. Amps	Type	Type	Poles	Amps	Volts
25,000	125	NGB,HGB,LGB (2,3P)	BQD,CQD	1	15-100	277
				2	15-100	277/480
30,000	125	NGB,HGB,LGB (3P)	BQD,CQD	3	15-100	277/480
30,000	250	HED6 (2,3P)	ED4	1	15-100	277
			ED4,ED6	2	15-125	480
30,000	250	HED6 (3P)	ED4,ED6	3	15-125	480
35,000	250	FD6-A,FXD6-A (2,3P)	NGB	1	15-125	277
				2	15-125	277/480
35,000	250	FD6-A,FXD6-A (3P)	NGB	3	15-125	277/480
35,000	400	JD6-A,JXD6-A (2,3P)	NGB	1	15-125	277
				2	15-125	277/480
35,000	400	JD6-A,JXD6-A (3P)	NGB	3	15-125	277/480
35,000	400	JD6,JXD6 (2,3P)	ED4	1	15-100	277
35,000	600	LD6 (2,3P)	ED4	1	15-100	277
35,000	600	LXD6 (2,3P)	ED4	1	15-100	277
42,000	125	HED4 (2,3P)	ED4	1	15-100	277
			ED4,ED6	2	15-125	480
42,000	125	HED4 (3P)	ED4,ED6	3	15-125	480
42,000	400	HJD6-A (2,3P)	NGB,HGB	1	15-125	277
				2	15-125	277/480
42,000	400	HJD6-A (3P)	NGB,HGB	3	15-125	277/480
42,000	400	HJXD6-A (2,3P)	NGB,HGB	1	15-125	277
				2	15-125	277/480
42,000	400	HJXD6-A (3P)	NGB,HGB	3	15-125	277/480
50,000	250	HFD6,HFXD6 (2,3P)	NGB,HGB	1	15-125	277
				2	15-125	277/480
50,000	250	HFD6,HFXD6 (3P)	NGB,HGB	3	15-125	277/480
50,000	400	HJD6-A (2,3P)	HED4	2	15-50	480
50,000	400	HJD6-A (3P)	HED4	3	15-50	480
50,000	400	HJXD6-A (2,3P)	HED4	2	15-50	480
50,000	400	HJXD6-A (3P)	HED4	3	15-50	480
50,000	400	HJD6,HJXD6 (2,3P)	HED4	2	15-50	480
50,000	400	HJD6,HJXD6 (3P)	HED4	3	15-50	480
50,000	600	HLD6-A (2,3P)	HED4	2	15-50	480
50,000	600	HLD6-A (3P)	HED4	3	15-50	480
50,000	600	HLXD6-A (2,3P)	HED4	2	15-50	480
50,000	600	HLXD6-A (3P)	HED4	3	15-50	480
50,000	600	HLD6,HLXD6 (2,3P)	HED4	2	15-50	480
50,000	600	HLD6,HLXD6 (3P)	HED4	3	15-50	480
50,000	800	MD6,MXD6 (2,3P)	NDGA,NDGB	2	50-150	480
			NFGA,NFGB	2	70-250	480
50,000	800	MD6,MXD6 (2,3P)	FXD6,FD6	2	70-250	480
			FXD6-A,FD6-A	2	70-250	480
50,000	800	MD6,MXD6 (2,3P)	NJGA	2	250-400	480
			JXD6,JD6	2	200-400	480
50,000	800	MD6,MXD6 (2,3P)	JXD6-A,JD6-A	2	200-400	480
			NLGA,NLGB	2	400-600	480
50,000	800	MD6,MXD6 (2,3P)	LD6	2	200-600	480
			LD6-A	2	200-600	480
50,000	800	MD6,MXD6 (2,3P)	LXD6	2	450-600	480
			LXD6-A	2	450-600	480
50,000	800	MD6,MXD6 (2,3P)	SJD6-A	3	200-400	480
			SJD6	3	200-400	480
50,000	800	MD6,MXD6 (2,3P)	SLD6-A	3	400-600	480
			SLD6	3	400-600	480
50,000	800	MD6,MXD6 (2,3P)	LMD6,LMXD6	2	600-800	480
			NMG	2	600-800	480
50,000	800	MD6,MXD6 (2,3P)	NDGA,NDGB	3	50-150	480
			NFGA,NFGB	3	70-250	480
50,000	800	MD6,MXD6 (3P)	FXD6,FD6	3	70-250	480

### 480V Series Ratings (Continued)

Series Rating	Main Breaker		Branch Breaker			
	Max. Amps	Type	Type	Poles	Amps	Volts
50,000	800	MD6,MXD6 (3P)	FXD6-A,FD6-A	3	70-250	480
			NJGA	3	250-400	480
50,000	800	MD6,MXD6 (3P)	JXD6,JD6	3	200-400	480
			JXD6-A,JD6-A	3	200-400	480
50,000	800	MD6,MXD6 (3P)	NLGA,NLGB	3	400-600	480
			LD6	3	200-600	480
50,000	800	MD6,MXD6 (3P)	LD6-A	3	200-600	480
			LXD6	3	450-600	480
50,000	800	MD6,MXD6 (3P)	LXD6-A	3	450-600	480
			SJD6-A	3	200-400	480
50,000	800	MD6,MXD6 (3P)	SJD6	3	200-400	480
			SLD6-A	3	400-600	480
50,000	800	MD6,MXD6 (3P)	SLD6	3	400-600	480
			LMD6,LMXD6	3	600-800	480
50,000	800	MD6,MXD6 (3P)	NMG	3	600-800	480
50,000	800	MD6,MXD6 (3P)	NDGA,NDGB	2	50-150	480
			NFGA,NFGB	2	70-250	480
50,000	800	MD6,MXD6 (3P)	NJGA	2	250-400	480
			JD6,JXD6	2	200-400	480
50,000	800	MD6,MXD6 (3P)	JD6-A,JXD6-A	2	200-400	480
50,000	800	MD6,MXD6 (3P)	NLGA,NLGB	2	400-600	480
			LD6-A	2	200-600	480
50,000	800	MD6,MXD6 (3P)	LD6	2	200-600	480
			LXD6-A	2	450-600	480
50,000	800	MD6,MXD6 (3P)	LXD6	2	450-600	480
			SJD6-A	3	200-400	480
50,000	800	MD6,MXD6 (3P)	SJD6	3	200-400	480
			SLD6-A	3	400-600	480
50,000	800	MD6,MXD6 (3P)	SLD6	3	400-600	480
			LMD6,LMXD6	2	600-800	480
50,000	800	MD6,MXD6 (3P)	NMG	2	600-800	480
50,000	800	MD6,MXD6 (3P)	NDGA,NDGB	3	50-150	480
			NFGA,NFGB	3	70-250	480
50,000	800	MD6,MXD6 (3P)	FXD6,FD6	2	70-250	480
			FXD6-A,FD6-A	2	70-250	480
50,000	800	MD6,MXD6 (3P)	NJGA	2	250-400	480
			JXD6,JD6	2	200-400	480
50,000	800	MD6,MXD6 (3P)	JXD6-A,JD6-A	2	200-400	480
			NLGA,NLGB	2	400-600	480
50,000	800	MD6,MXD6 (3P)	LD6	2	200-600	480
			LD6-A	2	200-600	480
50,000	800	MD6,MXD6 (3P)	LXD6	2	450-600	480
			LXD6-A	2	450-600	480
50,000	800	MD6,MXD6 (3P)	NMG	2	600-800	480
50,000	800	MD6,MXD6 (3P)	LMD6,LMXD6	2	600-800	480
			NMG	2	600-800	480
50,000	800	MD6,MXD6 (3P)	NDGA,NDGB	3	50-150	480

5 MOLDED CASE CIRCUIT BREAKERS

# Molded Case Circuit Breakers

## Series Connected Short Circuit Ratings

General

### 480V Series Ratings (Continued)

Series Rating	Main Breaker		Branch Breaker				
	Max. Amps	Type	Type	Poles	Amps	Volts	
50,000	1200	ND6,NXD6 (3P)	NFGA,NFGB	3	70-250	480	
			FXD6,FD6	3	70-250	480	
			FXD6-A,FD6-A	3	70-250	480	
			NJGA	3	250-400	480	
			JXD6,JD6	3	200-400	480	
			JXD6-A,JD6-A	3	200-400	480	
			NLGA,NLGB	3	400-600	480	
			LD6	3	200-600	480	
			LD6-A	3	200-600	480	
			LXD6	3	450-600	480	
			LXD6-A	3	450-600	480	
			SJD6	3	200-400	480	
			SJD6-A	3	200-400	480	
			SLD6	3	400-600	480	
			SLD6-A	3	400-600	480	
			NMG	3	600-800	480	
			LMD6,LXMD6	3	600-800	480	
			SND6 (3P)	NDGA,NDGB	2	50-150	480
					3	50-150	480
				NFGA,NFGB	2	70-250	480
					3	70-250	480
		NJGA		2	250-400	480	
				3	250-400	480	
		JD6,JXD6		2	200-400	480	
				3	200-400	480	
		JD6-A,JXD6-A		2	200-400	480	
				3	200-400	480	
		NLGA,NLGB		2	400-600	480	
				3	400-600	480	
		LD6		2	200-600	480	
				3	200-600	480	
		LD6-A		2	200-600	480	
				3	200-600	480	
	LXD6	2		450-600	480		
		3		450-600	480		
	LXD6-A	2		450-600	480		
		3	450-600	480			
	SJD6	3	200-400	480			
	SJD6-A	3	200-400	480			
	SLD6	3	400-600	480			
	SLD6-A	3	400-600	480			
	NMG	2	600-800	480			
		3	600-800	480			
	LMD6,LXMD6	2	600-800	480			
		3	600-800	480			
	1600	PD6,PXD6 (3P)	NDGA,NDGB	2	50-150	480	
				3	50-150	480	
			NFGA,NFGB	2	70-250	480	
				3	70-250	480	
			FXD6,FD6	2	70-250	480	
			3	70-250	480		
FXD6-A,FD6-A			2	70-250	480		
			3	70-250	480		
NJGA			2	250-400	480		
			3	250-400	480		
JD6,JXD6			2	200-400	480		
			3	200-400	480		
JD6-A,JXD6-A			2	200-400	480		
			3	200-400	480		
NLGA,NLGB			2	400-600	480		
			3	400-600	480		
LD6			2	200-600	480		
			3	200-600	480		
LD6-A			2	200-600	480		
			3	200-600	480		
LXD6			2	450-600	480		
			3	450-600	480		
LXD6-A			2	450-600	480		
			3	450-600	480		
SJD6			3	200-400	480		
SJD6-A			3	200-400	480		

### 480V Series Ratings (Continued)

Series Rating	Main Breaker		Branch Breaker				
	Max. Amps	Type	Type	Poles	Amps	Volts	
50,000	1600	PD6,PXD6 (3P)	SLD6	3	400-600	480	
			SLD6-A	3	400-600	480	
			NMG	2	600-800	480	
				3	600-800	480	
			NNG	2	800-1200	480	
				3	800-1200	480	
			NPG	2	1200-1600	480	
				3	1200-1600	480	
			SPD6 (3P)	JD6,JXD6	2	200-400	480
					3	200-400	480
				JD6-A,JXD6-A	2	200-400	480
					3	200-400	480
				LD6	2	200-600	480
					3	200-600	480
		LD6-A		2	200-600	480	
				3	200-600	480	
		LXD6		2	450-600	480	
				3	450-600	480	
		LXD6-A		2	450-600	480	
				3	450-600	480	
		SJD6		3	200-400	480	
	SJD6-A	3		200-400	480		
	SLD6	3		400-600	480		
	SLD6-A	3		400-600	480		
	2000	RD6,RXD6 (3P)		NDGA,NDGB	2	50-150	480
				3	50-150	480	
			NFGA,NFGB	2	70-250	480	
				3	70-250	480	
			FXD6,FD6	2	70-250	480	
				3	70-250	480	
			FXD6-A,FD6-A	2	70-250	480	
				3	70-250	480	
			NJGA	2	250-400	480	
				3	250-400	480	
			JD6-A,JXD6-A	2	200-400	480	
				3	200-400	480	
			JD6,JXD6	2	200-400	480	
				3	200-400	480	
			NLGA,NLGB	2	400-600	480	
				3	400-600	480	
			LD6-A	2	200-600	480	
				3	200-600	480	
			LXD6-A	2	450-600	480	
				3	450-600	480	
			SJD6-A	3	200-400	480	
			SJD6	3	200-400	480	
			SLD6-A	3	400-600	480	
			SLD6	3	400-600	480	
			NMG	2	600-800	480	
				3	600-800	480	
NNG			2	800-1200	480		
	3	800-1200	480				
NPG	2	1200-1600	480				
	3	1200-1600	480				
65,000	150	HDGA,HDGB (2,3P)	NDGA,NDGB	2	50-150	480	
		HDGA,HDGB (3P)	NDGA,NDGB	3	50-150	480	
		HFGA,HFGB (2,3P)	NDGA,NDGB	2	50-150	480	
			NFGA,NFGB	2	70-250	480	
			NFGA,NFGB	3	70-250	480	
		250	HFGA,HFGB (3P)	NDGA,NDGB	3	50-150	480
	NFGA,NFGB			3	70-250	480	
	NFGA,NFGB			2	70-250	480	
	HFD6,HFXD6 (2,3P)		ED4	1	15-100	277	
			ED4,ED6	2	15-125	480	
			HED4	1	15-100	277	
	HED4,HED6	2	15-125	480			
NDGA,NDGB	2	50-150	480				
NFGA,NFGB	2	70-250	480				



# Molded Case Circuit Breakers

## Series Connected Short Circuit Ratings

General

### 480V Series Ratings (Continued)

Series Rating	Main Breaker		Branch Breaker			
	Max. Amps	Type	Type	Poles	Amps	Volts
65,000	250	HFD6,HFXD6 (3P)	ED4,ED6	3	15-125	480
			HED4,HED6	3	15-125	480
			NDGA,NDGB	3	50-150	480
			NFGA,NFGB	3	70-250	480
		HJGA (2,3P)	NGB,HGB	1	15-125	277
			2	15-125	277/480	
	NDGA,NDGB		2	50-150	480	
	NFGA,NFGB		2	70-250	480	
	NJGA		2	250-400	480	
	HJGA (3P)	NGB,HGB	3	15-125	277/480	
		NDGA,NDGB	3	50-150	480	
		NFGA,NFGB	3	70-250	480	
	HJD6-A (2,3P)	NJGA	3	250-400	480	
		ED4	1	15-100	277	
	HJD6-A (2,3P)	HJD6-A (2,3P)	HED4	1	15-100	277
			NDGA,NDGB	2	50-150	480
			NFGA,NFGB	2	70-250	480
			FD6-A,FXD6-A	2	70-250	480
			FD6,FXD6	2	70-250	480
			JD6-A,JXD6-A	2	200-400	480
			NJGA	2	250-400	480
	HJD6-A (3P)	HJD6-A (3P)	JD6,JXD6	2	200-400	480
			NDGA,NDGB	3	50-150	480
			NFGA,NFGB	3	70-250	480
			FD6-A,FXD6-A	3	70-250	480
FD6,FXD6			3	70-250	480	
400	HJXD6-A (2,3P)	NJGA	3	250-400	480	
		JD6-A,JXD6-A	3	200-400	480	
		JD6,JXD6	3	200-400	480	
		ED4	1	15-100	277	
		HED4	1	15-100	277	
	HJXD6-A (3P)	HJXD6-A (3P)	NDGA,NDGB	2	50-150	480
			NFGA,NFGB	2	70-250	480
			FD6-A,FXD6-A	2	70-250	480
			FD6,FXD6	2	70-250	480
			JD6-A,JXD6-A	2	200-400	480
600	HJXD6-A (2,3P)	HJXD6-A (2,3P)	NDGA,NDGB	3	50-150	480
			NFGA,NFGB	3	70-250	480
			FD6-A,FXD6-A	3	70-250	480
			FD6,FXD6	3	70-250	480
			NJGA	3	250-400	480
	HJXD6-A (3P)	HJXD6-A (3P)	JD6-A,JXD6-A	3	200-400	480
			JD6,JXD6	3	200-400	480
			ED4	1	15-100	277
			HED4	1	15-100	277
			NDGA,NDGB	2	50-150	480
	HJD6,HJXD6 (2,3P)	HJD6,HJXD6 (2,3P)	NFGA,NFGB	2	70-250	480
			FD6-A,FXD6-A	2	70-250	480
			FD6,FXD6	2	70-250	480
	HJD6,HJXD6 (3P)	HJD6,HJXD6 (3P)	JD6,JXD6	2	200-400	480
			FD6-A,FXD6-A	3	70-250	480
FD6,FXD6			3	70-250	480	
HHJD6 (2,3P)	HHJD6 (2,3P)	JD6,JXD6	3	200-400	480	
		NGB,HGB	1	15-125	277	
			2	15-125	277/480	
HHJD6 (3P)	HHJD6 (3P)	NGB,HGB	3	15-125	277/480	
			1	15-125	277	
			2	15-125	277/480	
HHJXD6 (2,3P)	HHJXD6 (2,3P)	NGB,HGB	2	15-125	277/480	
			1	15-125	277	
			2	15-125	277/480	
HHJXD6 (3P)	HHJXD6 (3P)	NGB,HGB	3	15-125	277/480	
			1	15-125	277	
			2	15-125	277/480	
600	HLD6-A (2,3P)	HLD6-A (2,3P)	ED4	1	15-100	277
			NGB,HGB	1	15-125	277
	HLGA,HLGB (2,3P)	HLGA,HLGB (2,3P)	NGB,HGB	2	15-125	277/480
			NDGA,NDGB	2	50-150	480
			NFGA,NFGB	2	70-250	480
			NJGA	2	250-400	480
			NLGA,NLGB	2	400-600	480
				3	15-125	277/480
	HLGA,HLGB (3P)	HLGA,HLGB (3P)	NDGA,NDGB	3	50-150	480
			NFGA,NFGB	3	70-250	480
NJGA			3	250-400	480	
NLGA,NLGB			3	400-600	480	

### 480V Series Ratings (Continued)

Series Rating	Main Breaker		Branch Breaker				
	Max. Amps	Type	Type	Poles	Amps	Volts	
65,000	600	HLD6-A (2,3P)	HED4	1	15-100	277	
			NDGA,NDGB	2	50-150	480	
			NFGA,NFGB	2	70-250	480	
			FD6-A,FXD6-A	2	70-250	480	
			FD6,FXD6	2	70-250	480	
			NJGA	2	200-400	480	
			NLGA,NLGB	2	400-600	480	
			JXD6-A,JD6-A	2	200-400	480	
			LD6-A	2	200-600	480	
			LXD6-A	2	450-600	480	
				3	50-150	480	
				3	70-250	480	
				3	70-250	480	
				3	70-250	480	
			HLD6-A (3P)	HLD6-A (3P)	NDGA,NDGB	3	50-150
		NFGA,NFGB			3	70-250	480
		FD6-A,FXD6-A			3	70-250	480
		FD6,FXD6			3	70-250	480
		NJGA			3	200-400	480
		HLD6 (2,3P)	HLD6 (2,3P)	NLGA,NLGB	3	400-600	480
				JXD6-A,JD6-A	3	200-400	480
				LD6-A	3	200-600	480
				LXD6-A	3	450-600	480
				ED4	1	15-100	277
		HLD6 (3P)	HLD6 (3P)	HED4	1	15-100	277
FD6-A,FXD6-A	2			70-250	480		
FD6,FXD6	2			70-250	480		
JXD6,JD6	2			200-400	480		
LD6	2			200-600	480		
HLXD6-A (2,3P)	HLXD6-A (2,3P)	LXD6	2	450-600	480		
		FD6-A,FXD6-A	3	70-250	480		
		FD6,FXD6	3	70-250	480		
		JXD6,JD6	3	200-400	480		
		LD6	3	200-600	480		
		LXD6	3	450-600	480		
		ED4	1	15-100	277		
		HED4	1	15-100	277		
		NDGA,NDGB	2	50-150	480		
		NFGA,NFGB	2	70-250	480		
		FD6-A,FXD6-A	2	70-250	480		
		FD6,FXD6	2	70-250	480		
		NJGA	2	250-400	480		
		JXD6-A,JD6-A	2	200-400	480		
		HLXD6-A (3P)	HLXD6-A (3P)	JXD6,JD6	2	200-400	480
NLGA,NLGB	2			400-600	480		
LD6-A	2			200-600	480		
LD6	2			200-600	480		
LXD6-A	2			450-600	480		
LXD6	2			450-600	480		
NDGA,NDGB	3			50-150	480		
NFGA,NFGB	3			70-250	480		
FD6-A,FXD6-A	3			70-250	480		
FD6,FXD6	3			70-250	480		
HLXD6 (2,3P)	HLXD6 (2,3P)	NJGA	3	250-400	480		
		JXD6-A,JD6-A	3	200-400	480		
		JXD6,JD6	3	200-400	480		
		NLGA,NLGB	3	400-600	480		
		LD6-A	3	200-600	480		
HLXD6 (3P)	HLXD6 (3P)	LD6	3	200-600	480		
		LXD6-A	3	450-600	480		
		LXD6	3	450-600	480		
		ED4	1	15-100	277		
		HED4	1	15-100	277		
HHLXD6 (2,3P)	HHLXD6 (2,3P)	FD6-A,FXD6-A	2	70-250	480		
		FD6,FXD6	2	70-250	480		
		JXD6,JD6	3	200-400	480		
		LD6	3	200-600	480		
		LXD6	3	450-600	480		
	1	15-125	277				
	2	15-125	277/480				

5 MOLDED CASE CIRCUIT BREAKERS

# Molded Case Circuit Breakers

## Series Connected Short Circuit Ratings

General

### 480V Series Ratings (Continued)

Series Rating	Main Breaker		Branch Breaker			
	Max. Amps	Type	Type	Poles	Amps	Volts
65,000	600	HHLXD6 (3P)	NGB,HGB	3	15-125	277/480
		HHLXD6 (2,3P)	NGB,HGB	2	15-125	277/480
		HHLXD6 (3P)	NGB,HGB	3	15-125	277/480
	800	HMG (2,3P)	NDGA,NDGB	2	50-150	480
			NFGA,NFGB	2	70-250	480
			NJGA	2	250-400	480
			NLGA,NLGB	2	400-600	480
			NMG	2	600-800	480
			LMD6,LMXD6	2	600-800	480
			MD6,MXD6	2	400-800	480
			NDGA,NDGB	3	50-150	480
			NFGA,NFGB	3	70-250	480
		NJGA	3	250-400	480	
		HMG (3P)	NLGA,NLGB	3	400-600	480
			NMG	3	600-800	480
			LMD6,LMXD6	3	600-800	480
			MD6,MXD6	3	400-800	480
			NDGA,NDGB	2	50-150	480
			NFGA,NFGB	2	70-250	480
			FXD6,FD6	2	70-250	480
			FXD6-A,FD6-A	2	70-250	480
			NJGA	2	250-400	480
		HMD6,HMXD6 (2,3P)	JXD6,JD6	2	200-400	480
			JXD6-A,JD6-A	2	200-400	480
			NLGA,NLGB	2	400-600	480
			LD6	2	200-600	480
			LD6-A	2	200-600	480
			LXD6	2	450-600	480
			LXD6-A	2	450-600	480
			LMD6,LMXD6	2	600-800	480
			NMG	2	600-800	480
			MD6	2	500-800	480
			HMD6,HMXD6 (3P)	NDGA,NDGB	3	50-150
NFGA,NFGB				3	70-250	480
FXD6,FD6				3	70-250	480
FXD6-A,FD6-A				3	70-250	480
NJGA	3			250-400	480	
JXD6,JD6	3	200-400		480		
JXD6-A,JD6-A	3	200-400		480		
NLGA,NLGB	3	400-600		480		
LD6	3	200-600		480		
HNG (2,3P)	LD6-A	3	200-600	480		
	LXD6	3	450-600	480		
	LXD6-A	3	450-600	480		
	LMD6,LMXD6	3	600-800	480		
	NMG	3	600-800	480		
	MD6	3	500-800	480		
	HNG (3P)	NDGA,NDGB	2	50-150	480	
		NFGA,NFGB	2	70-250	480	
		NJGA	2	250-400	480	
NLGA,NLGB		2	400-600	480		
NMG		2	600-800	480		
LMD6,LMXD6		2	600-800	480		
MD6,MXD6		2	400-800	480		
NNG		2	800-1200	480		
ND6,NXD6		2	800-1200	480		
HND6,HNXD6 (2,3P)	NDGA,NDGB	3	50-150	480		
	NFGA,NFGB	3	70-250	480		
	NJGA	3	250-400	480		
	NLGA,NLGB	3	400-600	480		
	NMG	3	600-800	480		
	LMD6,LMXD6	3	600-800	480		
	MD6,MXD6	3	400-800	480		
	NNG	3	800-1200	480		
	ND6,NXD6	3	800-1200	480		

### 480V Series Ratings (Continued)

Series Rating	Main Breaker		Branch Breaker			
	Max. Amps	Type	Type	Poles	Amps	Volts
65,000	1200	HND6,HNXD6 (2,3P)	NLGA,NLGB	2	400-600	480
			LD6	2	200-600	480
			LD6-A	2	200-600	480
			LXD6	2	450-600	480
			LXD6-A	2	450-600	480
			NMG	2	600-800	480
			LMD6,LMXD6	2	600-800	480
			MD6,MXD6	2	500-800	480
			NNG	2	800-1200	480
			ND6,NXD6	2	800-1200	480
			NDGA,NDGB	3	50-150	480
			NFGA,NFGB	3	70-250	480
			FXD6,FD6	3	70-250	480
			FXD6-A,FD6-A	3	70-250	480
			NJGA	3	250-400	480
	HPG (2,3P)	JXD6,JD6	3	200-400	480	
		JXD6-A,JD6-A	3	200-400	480	
		NLGA,NLGB	3	400-600	480	
		LD6	3	200-600	480	
		LD6-A	3	200-600	480	
		LXD6	3	450-600	480	
		LXD6-A	3	450-600	480	
		LMD6,LMXD6	3	600-800	480	
		NMG	3	600-800	480	
	HPG (3P)	MD6	3	500-800	480	
		NDGA,NDGB	2	50-150	480	
		NFGA,NFGB	2	70-250	480	
		NJGA	2	250-400	480	
		NLGA,NLGB	2	400-600	480	
		NMG	2	600-800	480	
		MD6,MXD6	2	400-800	480	
		LMD6,LMXD6	2	600-800	480	
		NNG	2	800-1200	480	
HPD6,HPXD6 (3P)	ND6,NXD6	2	800-1200	480		
	NPG	2	1200-1600	480		
	NDGA,NDGB	3	50-150	480		
	NFGA,NFGB	3	70-250	480		
	NJGA	3	250-400	480		
	NLGA,NLGB	3	400-600	480		
	NMG	3	600-800	480		
	MD6,MXD6	3	400-800	480		
	LMD6,LMXD6	3	600-800	480		
HRD6,HRXD6 (3P)	NNG	3	800-1200	480		
	ND6,NXD6	3	800-1200	480		
	NDGA,NDGB	2	50-150	480		
	NFGA,NFGB	2	70-250	480		
	NJGA	2	250-400	480		
	NLGA,NLGB	2	400-600	480		
	NMG	2	600-800	480		
	NNG	2	800-1200	480		
	NPG	2	1200-1600	480		

# Molded Case Circuit Breakers

## Series Connected Short Circuit Ratings

General

### 480V Series Ratings (Continued)

Series Rating	Main Breaker		Branch Breaker			
	Max. Amps	Type	Type	Poles	Amps	Volts
65,000	2000	HRD6,HRXD6 (3P)	FXD6-A,FD6-A	2	70-250	480
				3	70-250	480
			NJGA	2	250-400	480
				3	250-400	480
			JD6,JXD6	2	200-400	480
				3	200-400	480
			JD6-A,JXD6-A	2	200-400	480
				3	200-400	480
			NLGA,NLGB	2	400-600	480
				3	400-600	480
			LD6	2	200-600	480
				3	200-600	480
			LD6-A	2	200-600	480
				3	200-600	480
			LXD6	2	450-600	480
				3	450-600	480
			LXD6-A	2	450-600	480
				3	450-600	480
			NMG	2	600-800	480
				3	600-800	480
NNG	2	800-1200	480			
	3	800-1200	480			
NPG	2	1200-1600	480			
	3	1200-1600	480			
100,000	150	LDGA,LDGB (2,3P)	NGB,HGB,LGB	1	15-125	277
				2	15-125	277/480
	250	LDGA,LDGB (3P)	NGB,HGB,LGB	3	15-125	277/480
				1	15-125	277
		LFGA,LFGB (2,3P)	NGB,HGB,LGB	2	15-125	277/480
			NDGB,HDGB	2	50-150	480
			NDGA,HDGA	2	50-150	480
			NFGB,HFGB	2	70-250	480
			NFGA,HFGA	2	70-250	480
			HFD6,HFXD6	2	70-250	480
		LFGA,LFGB (3P)	NGB,HGB,LGB	3	15-125	277/480
			NDGB,HDGB	3	50-150	480
			NDGA,HDGA	3	50-150	480
			NFGB,HFGB	3	70-250	480
		HHFD6 (2,3P)	NFGA,HFGA	3	70-250	480
			HFD6,HFXD6	3	70-250	480
		HHFD6 (3P)	ED4,ED6	1	15-125	277
			HED4,HED6	1	15-125	277/480
		HHFXD6 (2,3P)	NGB,HGB,LGB	1	15-125	277
				2	15-125	277/480
HHFXD6 (3P)		NGB,HGB,LGB	3	15-125	277/480	
			1	15-125	277	
400	CJD6(-A) (2,3P)	NGB,HGB,LGB	1	15-125	277	
			2	15-125	277/480	
	CJD6(-A) (3P)	NGB,HGB,LGB	3	15-125	277/480	
			1	15-125	277	
	LJGA (2,3P)	NDGB,HDGB	2	50-150	480	
		NDGA,HDGA	2	50-150	480	
		NFGB,HFGB	2	70-250	480	
		NFGA,HFGA	2	70-250	480	
	LJGA (3P)	HFD6,HFXD6	2	70-250	480	
		NDGB,HDGB	3	50-150	480	
		NDGA,HDGA	3	50-150	480	
		NFGB,HFGB	3	70-250	480	
	HHJD6 (2,3P)	NFGA,HFGA	3	70-250	480	
		HFD6,HFXD6	3	70-250	480	
		ED4,ED6	1	15-100	277	
		HED4,HED6	1	15-100	277	
	HHJD6 (3P)	FD6-A,FXD6-A	2	70-250	480	
		FD6,FXD6	2	70-250	480	
		HFD6,HFXD6	2	70-250	480	
		FD6-A,FXD6-A	3	70-250	480	
HHJXD6 (2,3P)	FD6,FXD6	3	70-250	480		
	HFD6,HFXD6	3	70-250	480		
	ED4,ED6	1	15-100	277		
	HED4,HED6	1	15-100	277		

### 480V Series Ratings (Continued)

Series Rating	Main Breaker		Branch Breaker			
	Max. Amps	Type	Type	Poles	Amps	Volts
100,000	400	HHJXD6 (2,3P)	FD6-A,FXD6-A	2	70-250	480
			FD6,FXD6	2	70-250	480
			HFD6,HFXD6	2	70-250	480
			FD6-A,FXD6-A	3	70-250	480
			FD6,FXD6	3	70-250	480
		HHJXD6 (3P)	HFD6,HFXD6	3	70-250	480
			NDGB,HDGB	2	50-150	480
			NDGA,HDGA	2	50-150	480
			NFGB,HFGB	2	70-250	480
			NFGA,HFGA	2	70-250	480
	600	LLGA,LLGB (2,3P)	HFD6,HFXD6	2	70-250	480
			NJGA,HJGA	2	200-400	480
			NDGB,HDGB	3	50-150	480
			NDGA,HDGA	3	50-150	480
			NFGB,HFGB	3	70-250	480
		LLGA,LLGB (3P)	NFGA,HFGA	3	70-250	480
			HFD6,HFXD6	3	70-250	480
			NJGA,HJGA	3	200-400	480
			NDGB,HDGB	2	50-150	480
			NDGA,HDGA	2	50-150	480
800	HHL6 (2,3P)	NFGB,HFGB	2	70-250	480	
		NFGA,HFGA	2	70-250	480	
		ED4,ED6	1	15-100	277	
		HED4,HED6	1	15-100	277	
		FD6-A,FXD6-A	2	70-250	480	
	HHL6 (3P)	FD6,FXD6	2	70-250	480	
		HFD6,HFXD6	2	70-250	480	
		NJGA,HJGA	2	200-400	480	
		NDGB,HDGB	3	50-150	480	
		NDGA,HDGA	3	50-150	480	
LMG (2,3P)	HHLXD6 (2,3P)	NFGB,HFGB	3	70-250	480	
		NFGA,HFGA	3	70-250	480	
		ED4,ED6	1	15-100	277	
		HED4,HED6	1	15-100	277	
		FD6-A,FXD6-A	2	70-250	480	
	HHLXD6 (3P)	FD6,FXD6	2	70-250	480	
		HFD6,HFXD6	2	70-250	480	
		NJGA,HJGA	2	200-400	480	
		NDGB,HDGB	3	50-150	480	
		NDGA,HDGA	3	50-150	480	
LMG (3P)	LMG (2,3P)	NFGB,HFGB	3	70-250	480	
		NFGA,HFGA	3	70-250	480	
		FD6-A,FXD6-A	3	70-250	480	
		FD6,FXD6	3	70-250	480	
		HFD6,HFXD6	3	70-250	480	
	LMG (3P)	NJGA,HJGA	3	200-400	480	
		NDGB,HDGB	2	50-150	480	
		NDGA,HDGA	2	50-150	480	
		NFGB,HFGB	2	70-250	480	
		NFGA,HFGA	2	70-250	480	
LMG (3P)	LMG (2,3P)	HFD6,HFXD6	2	70-250	480	
		NJGA,HJGA	2	200-200	480	
		NLGB,HLGB	2	400-600	480	
		NLGA,HLGA	2	400-600	480	
		MD6,MXD6	2	400-800	480	
	LMG (3P)	HMD6,HMXD6	2	400-800	480	
		NDGB,HDGB	3	50-150	480	
		NDGA,HDGA	3	50-150	480	
		NFGB,HFGB	3	70-250	480	
		NFGA,HFGA	3	70-250	480	
LMG (3P)	HFD6,HFXD6	3	70-250	480		
	NJGA,HJGA	3	200-200	480		
	NLGB,HLGB	3	400-600	480		
	NLGA,HLGA	3	400-600	480		
	MD6,MXD6	3	400-800	480		

5 MOLDED CASE CIRCUIT BREAKERS

# Molded Case Circuit Breakers

## Series Connected Short Circuit Ratings

General

### 480V Series Ratings (Continued)

Series Rating	Main Breaker		Branch Breaker				
	Max. Amps	Type	Type	Poles	Amps	Volts	
100,000	800	LMG (3P)	NLGA,HLGA	3	400-600	480	
			MD6,MXD6	3	400-800	480	
			HMD6,HMXD6	3	400-800	480	
		CMD6 (3P)	NDGB,HDGB	2	50-150	480	
			NDGA,HDGA	3	50-150	480	
			NFGB,HFGB	2	70-250	480	
			NFGA,HFGA	3	70-250	480	
			FXD6,FD6	2	70-250	480	
			FXD6-A,FD6-A	3	70-250	480	
			HFD6,HFXD6	2	70-250	480	
			HFD6,HFXD6	3	70-250	480	
			NJGA,HJGA	2	200-200	480	
			NJGA,HJGA	3	200-200	480	
			JXD6,JD6	2	200-400	480	
			JXD6,JD6	3	200-400	480	
			JXD6-A,JD6-A	2	200-400	480	
			JXD6-A,JD6-A	3	200-400	480	
			HJD6,HJXD6	2	200-400	480	
		HJD6,HJXD6	3	200-400	480		
		HJD6-A	2	200-400	480		
		HJXD6-A	2	200-400	480		
		HJD6-A	3	200-400	480		
		HJXD6-A	3	200-400	480		
		NLGB,HLGB	2	400-600	480		
		NLGB,HLGB	3	400-600	480		
		NLGA,HLGA	2	400-600	480		
		NLGA,HLGA	3	400-600	480		
		LD6	2	200-600	480		
		LD6	3	200-600	480		
		LD6-A	2	200-600	480		
		LD6-A	3	200-600	480		
		LXD6	2	450-600	480		
		LXD6	3	450-600	480		
		LXD6-A	2	450-600	480		
		LXD6-A	3	450-600	480		
		HLD6	2	200-600	480		
		HLD6	3	200-600	480		
		HLD6-A	2	200-600	480		
		HLD6-A	3	200-600	480		
		HLXD6	2	450-600	480		
		HLXD6	3	450-600	480		
		HLXD6-A	2	450-600	480		
		HLXD6-A	3	450-600	480		
		MD6,MXD6	2	500-800	480		
		MD6,MXD6	3	500-800	480		
		HMD6,HMXD6	2	500-800	480		
		HMD6,HMXD6	3	500-800	480		
		SCMD6 (3P)	HFD6,HFXD6	2	70-250	480	
			HFD6,HFXD6	3	70-250	480	
			1200	LNG (2,3P)	NDGB,HDGB	2	50-150
	NDGA,HDGA				2	50-150	480
	NFGB,HFGB				2	70-250	480
	NFGA,HFGA				2	70-250	480
	HFD6,HFXD6				2	70-250	480
	NJGA,HJGA				2	200-400	480
	NLGB,HLGB				2	400-600	480
	NLGA,HLGA				2	400-600	480
	MD6,MXD6	2			400-800	480	
	HMD6,HMXD6	2			400-800	480	
	ND6,NXD6	2			600-1200	480	
	HND6,HNXD6	2			600-1200	480	
	NDGB,HDGB	3			50-150	480	
	NDGA,HDGA	3			50-150	480	
	NFGB,HFGB	3			70-250	480	
	NFGA,HFGA	3	70-250	480			

### 480V Series Ratings (Continued)

Series Rating	Main Breaker		Branch Breaker				
	Max. Amps	Type	Type	Poles	Amps	Volts	
100,000	1200	LNG (3P)	HFD6,HFXD6	3	70-250	480	
			NJGA,HJGA	3	200-400	480	
			NLGB,HLGB	3	400-600	480	
			NLGA,HLGA	3	400-600	480	
			MD6,MXD6	3	400-800	480	
			HMD6,HMXD6	3	400-800	480	
			ND6,NXD6	3	600-1200	480	
			HND6,HNXD6	3	600-1200	480	
			CMD6 (3P)	NDGB,HDGB	2	50-150	480
				NDGB,HDGB	3	50-150	480
				NDGA,HDGA	2	50-150	480
				NDGA,HDGA	3	50-150	480
				NFGB,HFGB	2	70-250	480
				NFGB,HFGB	3	70-250	480
				NFGA,HFGA	2	70-250	480
		NFGA,HFGA		3	70-250	480	
		FXD6,FD6		2	70-250	480	
		FXD6,FD6		3	70-250	480	
		FXD6-A,FD6-A		2	70-250	480	
		FXD6-A,FD6-A		3	70-250	480	
		HFD6,HFXD6		2	70-250	480	
		HFD6,HFXD6		3	70-250	480	
		NJGA,HJGA		2	200-400	480	
		NJGA,HJGA	3	200-400	480		
		JXD6,JD6	2	200-400	480		
		JXD6,JD6	3	200-400	480		
		JXD6-A,JD6-A	2	200-400	480		
		JXD6-A,JD6-A	3	200-400	480		
		HJD6,HJXD6	2	200-400	480		
		HJD6,HJXD6	3	200-400	480		
		HJD6-A	2	200-400	480		
		HJXD6-A	2	200-400	480		
		HJD6-A	3	200-400	480		
		HJXD6-A	3	200-400	480		
		NLGB,HLGB	2	400-600	480		
		NLGB,HLGB	3	400-600	480		
		NLGA,HLGA	2	400-600	480		
		NLGA,HLGA	3	400-600	480		
		LD6	2	200-600	480		
		LD6	3	200-600	480		
		LD6-A	2	200-600	480		
		LD6-A	3	200-600	480		
		LXD6	2	450-600	480		
		LXD6	3	450-600	480		
		LXD6-A	2	450-600	480		
		LXD6-A	3	450-600	480		
		HLD6	2	200-600	480		
		HLD6	3	200-600	480		
		HLD6-A	2	200-600	480		
		HLD6-A	3	200-600	480		
	HLXD6	2	450-600	480			
	HLXD6	3	450-600	480			
	HLXD6-A	2	450-600	480			
	HLXD6-A	3	450-600	480			
	MD6,MXD6	2	500-800	480			
	MD6,MXD6	3	500-800	480			
	HMD6,HMXD6	2	500-800	480			
	HMD6,HMXD6	3	500-800	480			
	SCND6 (3P)	HFD6,HFXD6	2	70-250	480		
		HFD6,HFXD6	3	70-250	480		
		1600	LPG (2,3P)	ND6,NXD6	2	600-1200	480
				HND6,HNXD6	2	600-1200	480
				ND6,NXD6	3	600-1200	480
				HND6,HNXD6	3	600-1200	480
				ND6,NXD6	2	500-800	480
				HND6,HNXD6	2	500-800	480
				ND6,NXD6	3	500-800	480
				HND6,HNXD6	3	500-800	480
	ND6,NXD6			2	500-1200	480	
	HND6,HNXD6			2	500-1200	480	
	ND6,NXD6			3	500-1200	480	
	HND6,HNXD6			3	500-1200	480	
	ND6,NXD6			2	600-1200	480	
	HND6,HNXD6			2	600-1200	480	
	ND6,NXD6			3	600-1200	480	
	HND6,HNXD6	3	600-1200	480			
	LPG (3P)	NDGB,HDGB	2	50-150	480		
		NDGA,HDGA	2	50-150	480		
		NFGB,HFGB	2	70-250	480		

# Molded Case Circuit Breakers

## Series Connected Short Circuit Ratings

General

### 480V Series Ratings (Continued)

Series Rating	Main Breaker		Branch Breaker					
	Max. Amps	Type	Type	Poles	Amps	Volts		
100,000	1600	LPG (2,3P)	NFGA,HFGA	2	70-250	480		
			HFD6,HFXD6	2	70-250	480		
			NJGA,HJGA	2	200-400	480		
			NLGB,HLGB	2	400-600	480		
			NLGA,HLGA	2	400-600	480		
			MD6,MXD6	2	400-800	480		
			HMD6,HMXD6	2	400-800	480		
			PD6,PXD6	2	1200-1600	480		
			HPD6,HPXD6	2	1200-1600	480		
			NDGB,HDGB	3	50-150	480		
		NDGA,HDGA	3	50-150	480			
		NFGB,HFGB	3	70-250	480			
		NFGA,HFGA	3	70-250	480			
		HFD6,HFXD6	3	70-250	480			
		NJGA,HJGA	3	200-400	480			
		NLGB,HLGB	3	400-600	480			
		NLGA,HLGA	3	400-600	480			
		MD6,MXD6	3	400-800	480			
		HMD6,HMXD6	3	400-800	480			
		PD6,PXD6	3	1200-1600	480			
		HPD6,HPXD6	3	1200-1600	480			
		CPD6 (3P)	NDGB,HDGB	2	50-150	480		
	NDGA,HDGA		3	50-150	480			
	NFGB,HFGB		2	70-250	480			
	NFGA,HFGA		3	70-250	480			
	FXD6,FD6		2	70-250	480			
	FXD6-A,FD6-A		3	70-250	480			
	HFD6,HFXD6		2	70-250	480			
	HJGA,HJGA		2	200-400	480			
	NLGB,HLGB		3	400-600	480			
	NLGA,HLGA		2	400-600	480			
	400		CJD6(-A) (2,3P)	ED4	1	15-100	277	
				HFD6,HFXD6	2	70-250	480	
				JXD6,JD6	2	200-400	480	
				JXD6-A,JD6-A	2	200-400	480	
				HJD6,HJXD6	2	200-400	480	
				HJD6-A	2	200-400	480	
				HJXD6-A	2	200-400	480	
				CJD6(-A) (3P)	HFD6,HFXD6	3	70-250	480
					JXD6,JD6	3	200-400	480
					JXD6-A,JD6-A	3	200-400	480
			HJD6,HJXD6		3	200-400	480	
			HJD6-A		3	200-400	480	
		HJXD6-A	3		200-400	480		
150,000		600	CLD6(-A) (2,3P)		ED4	1	15-100	277
					HFD6,HFXD6	2	70-250	480
					JXD6,JD6	2	200-400	480
					JXD6-A,JD6-A	2	200-400	480
					HJD6,HJXD6	2	200-400	480
					HJD6-A	2	200-400	480
				HJXD6-A	2	200-400	480	
				LD6	2	200-600	480	
				LD6-A	2	200-600	480	
	LXD6			2	450-600	480		
	LXD6-A	2	450-600	480				
	HLD6	2	200-600	480				
	HLD6-A	2	200-600	480				
	HLXD6	2	450-600	480				
	HLXD6-A	2	450-600	480				
	CLD6(-A) (3P)	HFD6,HFXD6	3	70-250	480			

### 480V Series Ratings (Continued)

Series Rating	Main Breaker		Branch Breaker				
	Max. Amps	Type	Type	Poles	Amps	Volts	
150,000	600	CLD6(-A) (3P)	JXD6,JD6	3	200-400	480	
			JXD6-A,JD6-A	3	200-400	480	
			HJD6,HJXD6	3	200-400	480	
			HJD6-A	3	200-400	480	
			HJXD6-A	3	200-400	480	
			LD6	3	200-600	480	
			LD6-A	3	200-600	480	
			LXD6	3	450-600	480	
			LXD6-A	3	450-600	480	
			HLD6	3	200-600	480	
	HLD6-A	3	200-600	480			
	HLXD6	3	450-600	480			
	HLXD6-A	3	450-600	480			
	125	CED6 (2,3P)	NGB,HGB,LGB	1	15-125	277	
			ED4	1	15-100	277	
			ED4,ED6	2	15-125	480	
			HED4	1	15-100	277	
			HED4,HED6	2	15-125	480	
		CED6 (3P)	NGB,HGB,LGB	3	15-125	277/480	
			ED4,ED6	3	15-125	480	
HED4,HED6			3	15-125	480		
200,000			CFD6 (2,3P)	NGB,HGB,LGB	2	15-125	277/480
				ED4	1	15-100	277
	ED4,ED6	2		15-50	480		
	HED4	1		15-100	277		
	HED4,HED6	2		15-125	480		
FXD6,FD6	2	70-250		480			
FXD6-A,FD6-A	2	70-250		480			
HFD6,HFXD6	2	70-250		480			
CFD6 (3P)	NGB,HGB,LGB	3		15-125	277/480		
	ED4,ED6	3		15-50	480		
	HED4,HED6	3	15-125	480			
	FXD6,FD6	3	70-250	480			
	FXD6-A,FD6-A	3	70-250	480			
250	CFD6 (3P)	HFD6,HFXD6	3	70-250	480		

5  
MOLDED CASE  
CIRCUIT BREAKERS

# Molded Case Circuit Breakers

## Series Connected Short Circuit Ratings

General

### 600V Series Ratings

Series Rating	Main Breaker/Fuse		Branch Breaker				
	Max. Amps	Type	Type	Number of Poles	Amperes	Voltage	
14,000	125	NGB2 (2,&3P)	BQD6	1	15-70	347	
				2,3		347/600	
18,000	125	ED6, HED6 (1,2,&3P)	BQD6	1	15-70	347	
				2,3		347/600	
		ED6 (2,3P)	NGB, NGB2	1	15-125	347	
				2,3		347/600	
22,000	125	HGB2 (2,&3P)	BQD6	1	15-70	347	
				2,3		347/600	
	250	HFD6, HFXD6 (2,&3P)	NGB, NGB2	1	15-125	347	
				2,3		347/600	
25,000	125	LGB2 (2,3P)	BQD6	1	15-70	347	
				2,3		347/600	
	250	HFD6, HFXD6 (2,&3P)	BQD6	1	15-70	347	
				2,3		347/600	
			ED6, HED6	NGB, NGB2, HGB2	1	15-125	347
					2,3		347/600
35,000	400	HJD6 (-A), HJXD6 (-A) (2,&3P)	HFD6	2,3	70-250	600	
	600	HLD6 (-A) (2,&3P)	HFD6	2,3	70-250	600	
		HLXD6 (-A) (2,&3P)	HFD6	2,3	70-250	600	
50,000	800	HMD6, HMXD6 (2,&3P)	HFD6	2,3	70	600	
			JD6 (-A), JXD6 (-A)	2,3	200-400	600	
			HJD6 (-A), HJXD6 (-A)	2,3	200-400	600	
			LD6 (-A), HLD6 (-A)	2,3	200-600	600	
			LXD6 (-A), HLXD6 (-A)	2,3	450-600	600	
			HFD6	2,3	70	600	
	1200	HND6, HNXD6 (2,&3P)	JD6 (-A), JXD6 (-A)	2,3	200-400	600	
			HJD6 (-A), HJXD6 (-A)	2,3	200-400	600	
			LD6 (-A), HLD6 (-A)	2,3	200-600	600	
			LXD6 (-A), HLXD6 (-A)	2,3	450-600	600	
			HFD6	2,3	70	600	
			ED6, HED6	2,3	15-125	600	
65,000	250	CFD6 (2,&3P)	BQD6	2,3	15-70	347/600	
			ED6, HED6	2,3	15-125	600	
	800	CMD6 (2,&3P)	HFD6	2,3	70	600	
			JD6 (-A), JXD6 (-A)	2,3	200-400	600	
			HJD6 (-A), HJXD6 (-A)	2,3	200-400	600	
			LD6 (-A), HLD6 (-A)	2,3	200-600	600	
			LXD6 (-A), HLXD6 (-A)	2,3	450-600	600	
			HFD6	2,3	70	600	
	1200	CND6 (2,&3P)	JD6 (-A), JXD6 (-A)	2,3	200-400	600	
			HJD6 (-A), HJXD6 (-A)	2,3	200-400	600	
			LD6 (-A), HLD6 (-A)	2,3	200-600	600	
			LXD6 (-A), HLXD6 (-A)	2,3	450-600	600	
			HFD6	2,3	70	600	
			ED6, HED6	2,3	15-125	600	
	1600	PD6, HPXD6 (2,&3P)	JD6 (-A), JXD6 (-A)	2,3	200-400	600	
			HJD6 (-A), HJXD6 (-A)	2,3	200-400	600	
			LD6 (-A), HLD6 (-A)	2,3	200-600	600	
			LXD6 (-A), HLXD6 (-A)	2,3	450-600	600	
HFD6			2,3	70	600		
ED6, HED6			2,3	15-125	600		
CPD6 (2,&3P)		HFD6	2,3	70	600		
		JD6 (-A), JXD6 (-A)	2,3	200-400	600		
		HJD6 (-A), HJXD6 (-A)	2,3	200-400	600		
		LD6 (-A), HLD6 (-A)	2,3	200-600	600		
		LXD6 (-A), HLXD6 (-A)	2,3	450-600	600		
		HFD6	2,3	70	600		
100,000	125	CED6 (2,&3P)	BQD6	1	15-70	347	
			2,3	347/600			
			ED6, HED6	2,3	15-125	600	
			NGB, NGB2, HGB2, LGB2	1	15-125	347	
	2,3	347/600					
	250	CFD6 (3P)	BQD6	1	15-70	347	
			ED6, HED6	2,3	15-125	600	
			HFD6	2,3	70-250	600	
NGB, NGB2, HGB2, LGB2			1	15-125	347		
2,3	347/600						



# Molded Case Circuit Breakers

## Series Connected Short Circuit Ratings

General

### 240 Volt Fuse Series Ratings

Series Connected Rating	Main Fuse		Branch Breaker		
	Type	Maximum Amperes	Type	No. of Poles	Amperes
65,000	J,R (1, 2, 3P)	600	QPH	1	15-70
			BQH,BLH	1	15-70
			QPH	2	15-125
	J,R (2, 3P)	600	BQH,BLH	2	15-125
			QN,QNH	2	150-200
			QNR,QNRH	2	150-200
	J,R (3P)	600	QPH	3	15-100
	T (1, 2 3P)	1200	BQH,BLH	3	15-100
			QPH	1	15-70
			BQH,BLH	1	15-70
	T (2, 3P)	1200	QPH	2	15-125
			BQH,BLH	2	15-125
			QN,QNH	2	150-200
	T (3P)	1200	QNR,QNRH	2	150-200
			QPH	3	15-100
			BQH,BLH	3	15-100
	L (1, 2 3P)	6000	QPH	1	15-70
			BQH,BLH	1	15-70
			QPH	2	15-125
	L (2, 3P)	6000	BQH,BLH	2	15-125
			QN,QNH	2	150-200
			QNR,QNRH	2	150-200
	L (3P)	6000	QPH	3	15-100
			BQH,BLH	3	15-100
QP,BQ,BL			3	15-100	
100,000	T(300V) (1, 2 3P)	200	QT	1,2	15-50
			QPF,BQF,BLF	1	15-30
			QE,BE,BLE	1	15-30
			QPHF,BQHF	1	15-30
			BLHF	1	15-30
			QEH,BLEH	1	15-30
			QPF2,BLF2	1	15-30
			QPHF2,BLHF2	1	15-30
			HQPF2,HBLF2	1	15-30
			QAF,BQAF,BAF	1	15-20
			QAFH,BQAFH	1	15-20
			BAFH	1	15-20
			QAF2,BAF2	1	15-20
			QAFH2,BAFH2	1	15-20
			HQAF2,HBAF2	1	15-20
			QFGA2,BFGA2	1	15-20
			QFGAH2,BFGAH2	1	15-20
			HQFGA2,HBFGA2	1	15-20
			QP,BQ,BL	2	15-125
			QP,BQ,BL	2	15-125
			QPF,BLF	2	15-60
			QE,BLE	2	15-60
			QPHF,BLHF	2	15-60
			QEH,BLEH	2	15-60
	T(300V) (3P)	200	QP,BQ,BL	3	15-100
			QPH	3	15-100
			BQH,BLH	3	15-100
	T(300V) (1, 2 3P)	600	HQP	3	15-100
			HBO,HBL	3	15-100
			QPH	1	15-70
	T(300V) (2, 3P)	600	BQH,BLH	1	15-70
			HQP	1	15-70
			HBO,HBL	1	15-70
	T(300V) (1, 2 3P)	600	QPH	2	15-125
			BQH,BLH	2	15-125
			HQP	2	15-125
	T(300V) (2, 3P)	600	HBO,HBL	2	15-125
			QR2,QRH2,HQR2	2	100-250
			QR2,QRH2,HQR2	2	100-250
	J,R (2, 3P)	600	ED4	1	15-100
			ED4,ED6	2	15-125
			HED4	1	15-100
			HED4,HED6	2	15-125
			FD6-A,FXD6-A	2	70-250
			FD6-A,FXD6-A	2	70-250

### 240 Volt Series Ratings (Continued)

Series Connected Rating	Main Fuse		Branch Breaker		
	Type	Maximum Amperes	Type	No. of Poles	Amperes
100,000	J,R (2, 3P)	600	FD6,FXD6	2	70-250
			JXD2-A	2	200-400
			JXD2	2	200-400
			JD6-A,JXD6-A	2	200-400
			JD6,JXD6	2	200-400
			LD6-A	2	200-600
			LD6	2	200-600
			LXD6-A	2	450-600
			LXD6	2	450-600
			QR2,QRH2,HQR2	3	100-250
			QR2,QRH2,HQR2	3	100-250
			ED4,ED6	3	15-125
			HED4,HED6	3	15-125
			FD6-A,FXD6-A	3	70-250
			FD6,FXD6	3	70-250
			JXD2-A	3	200-400
			JXD2	3	200-400
			JD6-A,JXD6-A	3	200-400
			JD6,JXD6	3	200-400
			SJD6-A	3	200-400
			SJD6	3	200-400
			LD6-A	3	200-600
			LD6	3	200-600
			LXD6-A	3	450-600
	LXD6	3	450-600		
	SLD6-A	3	300-600		
	SLD6	3	300-600		
	T (2, 3P)	1200	ED4	1	15-100
			ED4,ED6	2	15-125
			HED4	1	15-100
			HED4,HED6	2	15-125
			FD6-A,FXD6-A	2	70-250
			FD6,FXD6	2	70-250
			JXD2-A	2	200-400
			JXD2	2	200-400
			JD6-A,JXD6-A	2	200-400
			JD6,JXD6	2	200-400
			LD6-A	2	200-600
			LD6	2	200-600
		LXD6-A	2	450-600	
		LXD6	2	450-600	
		ED4,ED6	3	15-125	
		HED4,HED6	3	15-125	
		FD6-A,FXD6-A	3	70-250	
		FD6,FXD6	3	70-250	
		JXD2-A	3	200-400	
		JXD2	3	200-400	
		JD6-A,JXD6-A	3	200-400	
JD6,JXD6		3	200-400		
SJD6-A		3	200-400		
SJD6		3	200-400		
LD6-A	3	200-600			
LD6	3	200-600			
LXD6-A	3	450-600			
LXD6	3	450-600			
SLD6-A	3	300-600			
SLD6	3	300-600			
T (3P)	1200	ED4	1	15-100	
		ED4,ED6	2	15-125	
		HED4	1	15-100	
		HED4,HED6	2	15-125	
		FD6-A,FXD6-A	2	70-250	
		FD6,FXD6	2	70-250	
	6000	JXD2-A	2	200-400	
		JXD2	2	200-400	
		JD6-A,JXD6-A	2	200-400	
		JD6,JXD6	2	200-400	
		LD6-A	2	200-600	
		LD6	2	200-600	
LXD6-A	2	450-600			
LXD6	2	450-600			
SLD6-A	2	300-600			
SLD6	2	300-600			

5 MOLDED CASE CIRCUIT BREAKERS



# Molded Case Circuit Breakers

## Series Connected Short Circuit Ratings

General

### 240 Volt Series Ratings (Continued)

Series Connected Rating	Main Fuse		Branch Breaker		
	Type	Maximum Amperes	Type	No. of Poles	Amperes
100,000	L (2, 3P)	6000	LXD6	2	450-600
			PD6,PXD6	3	1200-1600
			RD6,RXD6	3	1600-2000
			ED4,ED6	3	15-125
			HED4,HED6	3	15-125
			FD6-A,FXD6-A	3	70-250
			FD6,FXD6	3	70-250
			JXD2-A	3	200-400
			JXD2	3	200-400
			JD6-A,JXD6-A	3	200-400
			JD6,JXD6	3	200-400
			SJD6-A	3	200-400
			SJD6	3	200-400
			LD6-A	3	200-600
			LD6	3	200-600
	L (3P)	LXD6-A	3	450-600	
		LXD6	3	450-600	
		SLD6-A	3	300-600	
		SLD6	3	300-600	
		SMD6	3	500-800	
		SND6	3	500-1200	
		PD6,PXD6	3	1200-1600	
		SPD6	3	1400-1600	
		RD6,RXD6	3	1600-2000	
		QJ2	2	125-200	
		QJH2,QJ2H	2	125-200	
		QJ2	3	125-200	
QJH2,QJ2H	3	125-200			
200,000	R (2, 3P)	200	QJ2	2	125-225
			QJH2,QJ2H	2	125-225
			QJ2	3	125-225
	R (3P)	400	QJ2	2	125-225
			QJH2,QJ2H	2	125-225
			QJ2	3	125-225
	J,R (1, 2, 3P)	600	NGB,HGB,LGB	1	15-125
			NGB,HGB,LGB	2	15-125
			NDGB,HDGB	2	50-150
			NDGA,HDGA	2	50-150
			NFGA,HFGA	2	70-250
			NFGB,HFGB	2	70-250
HFD6,HFXD6			2	70-250	
NJGA,NJJA			2	200-400	
HJGA			2	200-400	
NLGA,HLGA			2	400-600	
NLGB,HLGB			2	400-600	
NGB,HGB,LGB			3	15-125	
NDGB,HDGB			3	50-150	
NDGA,HDGA			3	50-150	
NFGA,HFGA			3	70-250	
NFGB,HFGB	3	70-250			
HFD6,HFXD6	3	70-250			
NJGA,NJJA	3	200-400			
HJGA	3	200-400			
NLGA,HLGA	3	400-600			
NLGB,HLGB	3	400-600			
J,R (2, 3P)	600	NGB,HGB,LGB	1	15-125	
		NGB,HGB,LGB	2	15-125	
		NDGB,HDGB	2	50-150	
		NDGA,HDGA	2	50-150	
		NFGA,HFGA	2	70-250	
		NFGB,HFGB	2	70-250	
		HFD6,HFXD6	2	70-250	
		NJGA,NJJA	2	200-400	
		HJGA	2	200-400	
		NLGA,HLGA	2	400-600	
		NLGB,HLGB	2	400-600	
		NGB,HGB,LGB	3	15-125	
		NDGB,HDGB	3	50-150	
		NDGA,HDGA	3	50-150	
		NFGA,HFGA	3	70-250	
NFGB,HFGB	3	70-250			
HFD6,HFXD6	3	70-250			
T (1, 2, 3P)	1200	NGB,HGB,LGB	1	15-125	
		NGB,HGB,LGB	2	15-125	
		NDGB,HDGB	2	50-150	
		NDGA,HDGA	2	50-150	
		NFGA,HFGA	2	70-250	
		NFGB,HFGB	2	70-250	
		HFD6,HFXD6	2	70-250	
		NJGA,NJJA	2	200-400	
		HJGA	2	200-400	
		NLGA,HLGA	2	400-600	
		NLGB,HLGB	2	400-600	
		NGB,HGB,LGB	3	15-125	
		NDGB,HDGB	3	50-150	
		NDGA,HDGA	3	50-150	
		NFGA,HFGA	3	70-250	
NFGB,HFGB	3	70-250			
HFD6,HFXD6	3	70-250			
T (2, 3P)	1200	NGB,HGB,LGB	1	15-125	
		NGB,HGB,LGB	2	15-125	
		NDGB,HDGB	2	50-150	
		NDGA,HDGA	2	50-150	
		NFGA,HFGA	2	70-250	
		NFGB,HFGB	2	70-250	
		HFD6,HFXD6	2	70-250	
		NJGA,NJJA	2	200-400	
		HJGA	2	200-400	
		NLGA,HLGA	2	400-600	
		NLGB,HLGB	2	400-600	
		NGB,HGB,LGB	3	15-125	
		NDGB,HDGB	3	50-150	
		NDGA,HDGA	3	50-150	
		NFGA,HFGA	3	70-250	
NFGB,HFGB	3	70-250			
HFD6,HFXD6	3	70-250			
T (3P)	1200	NGB,HGB,LGB	1	15-125	
		NGB,HGB,LGB	2	15-125	
		NDGB,HDGB	2	50-150	
		NDGA,HDGA	2	50-150	
		NFGA,HFGA	2	70-250	
		NFGB,HFGB	2	70-250	
		HFD6,HFXD6	2	70-250	
		NJGA,NJJA	2	200-400	
		HJGA	2	200-400	
		NLGA,HLGA	2	400-600	
		NLGB,HLGB	2	400-600	
		NGB,HGB,LGB	3	15-125	
		NDGB,HDGB	3	50-150	
		NDGA,HDGA	3	50-150	
		NFGA,HFGA	3	70-250	
NFGB,HFGB	3	70-250			
HFD6,HFXD6	3	70-250			

### 240 Volt Series Ratings (Continued)

Series Connected Rating	Main Fuse		Branch Breaker		
	Type	Maximum Amperes	Type	No. of Poles	Amperes
200,000	T (3P)	1200	NJGA,NJJA	3	200-400
			HJGA	3	200-400
			NLGA,HLGA	3	400-600
			NLGB,HLGB	3	400-600
			NDGB,HDGB	2	50-150
			NDGA,HDGA	2	50-150
			NFGA,HFGA	2	70-250
			NFGB,HFGB	2	70-250
			HFD6,HFXD6	2	70-250
			NJGA,NJJA	2	200-400
			HJGA	2	200-400
			NLGA,HLGA	2	400-600
			NLGB,HLGB	2	400-600
			MD6,MXD6	2	500-800
			HMD6,HMXD6	2	500-800
	L (2, 3P)	6000	ND6,NXD6	2	500-1200
			HND6,HNXD6	2	500-1200
			NDGB,HDGB	3	50-150
			NDGA,HDGA	3	50-150
			NFGA,HFGA	3	70-250
			NFGB,HFGB	3	70-250
			HFD6,HFXD6	3	70-250
			NJGA,NJJA	3	200-400
			HJGA	3	200-400
			NLGA,HLGA	3	400-600
			NLGB,HLGB	3	400-600
			MD6,MXD6	3	500-800
			HMD6,HMXD6	3	500-800
			ND6,NXD6	3	500-1200
			HND6,HNXD6	3	500-1200
L (3P)	6000	NDGB,HDGB	3	50-150	
		NDGA,HDGA	3	50-150	
		NFGA,HFGA	3	70-250	
		NFGB,HFGB	3	70-250	
		HFD6,HFXD6	3	70-250	
		NJGA,NJJA	3	200-400	
		HJGA	3	200-400	
		NLGA,HLGA	3	400-600	
		NLGB,HLGB	3	400-600	
		MD6,MXD6	3	500-800	
		HMD6,HMXD6	3	500-800	
		ND6,NXD6	3	500-1200	
		HND6,HNXD6	3	500-1200	

### 480 Volt Fuse Series Ratings

Series Connected Rating	Main Breaker		Branch Breaker		
	Type	Maximum Amperes	Type	No. of Poles	Amperes
50,000	J (1,2,3P)	400	ED4	1	60-100
	J (2,3P)		ED4	2	15-100
	J (3P)		ED4	3	15-100
100,000	J (1,2,3P)	400	ED4	1	15-50
			FXD6,FD6	2	70-250
			FXD6-A,FD6-A	2	70-250
	T,J (2,3P)	600	FXD6,FD6	3	70-250
			FXD6-A,FD6-A	3	70-250
			HFD6,HFXD6	2	70-250
	J,R (2,3P)	600	NDGB,HDGB	2	50-150
			NDGA,HDGA	2	50-150
			NFGB,HFGB	2	70-250
			NFGA,HFGA	2	70-250
			NJGA,HJGA	2	200-400
			NLGB,HLGB	2	400-600
			NLGA,HLGA	2	400-600
			HFD6,HFXD6	3	70-250
			NDGB,HDGB	3	50-150
NDGA,HDGA			3	50-150	
NFGB,HFGB			3	70-250	
NFGA,HFGA			3	70-250	
J,R (3P)	600	NJGA,HJGA	3	200-400	
		NLGB,HLGB	3	400-600	
		NLGA,HLGA	3	400-600	
		HFD6,HFXD6	3	70-250	
		NDGB,HDGB	3	50-150	
		NDGA,HDGA	3	50-150	
		NFGB,HFGB	3	70-250	
		NFGA,HFGA	3	70-250	
		NJGA,HJGA	3	200-400	
		NLGB,HLGB	3	400-600	
		NLGA,HLGA	3	400-600	
		HFD6,HFXD6	3	70-250	
T,J,R (2,3P)	600	JD6,JXD6	2	200-400	
		JD6-A,JXD6-A	2	200-400	
		LD6	2	200-600	
		LD6-A	2	200-600	
		LXD6	2	450-600	
		LXD6-A	2	450-600	
		HJD6,HJXD6	2	200-400	
		HJD6-A	2	200-400	
		HJXD6-A	2	200-400	
		HJXD6-A	2	200-400	
		HLD6	2	200-600	

# Molded Case Circuit Breakers

## Series Connected Short Circuit Ratings

General

### 480 Volt Fuse Series Ratings (continued)

Series Connected Rating	Main Breaker		Branch Breaker			
	Type	Maximum Amperes	Type	No. of Poles	Amperes	
100,000	T,J,R (2,3P)	600	HLD6-A	2	200-600	
			HLXD6	2	450-600	
	HLXD6-A		2	450-600		
	JD6,JXD6		3	200-400		
	JD6-A,JXD6-A		3	200-400		
	LD6		3	200-600		
	LD6-A		3	200-600		
	LXD6		3	450-600		
	LXD6-A		3	450-600		
	HJD6,HJXD6		3	200-400		
	HJD6-A	3	200-400			
	HJXD6-A	3	200-400			
	HLD6	3	200-600			
	HLD6-A	3	200-600			
	HLXD6	3	450-600			
	HLXD6-A	3	450-600			
	T (2,3P)	T (2,3P)	1200	HFD6,HFXD6	2	70-250
				NDGB,HDGB	2	50-150
				NDGA,HDGA	2	50-150
				NFGB,HFGB	2	70-250
				NFGA,HFGA	2	70-250
				NJGA,HJGA	2	200-400
				NLGB,HLGB	2	400-600
				NLGA,HLGA	2	400-600
				HFD6,HFXD6	3	70-250
				NDGB,HDGB	3	50-150
	NDGA,HDGA	3	50-150			
	NFGB,HFGB	3	70-250			
	NFGA,HFGA	3	70-250			
	NJGA,HJGA	3	200-400			
	NLGB,HLGB	3	400-600			
	NLGA,HLGA	3	400-600			
	T,L (2,3P)	T,L (2,3P)	1200	JD6,JXD6	2	200-400
				JD6-A,JXD6-A	2	200-400
				LD6	2	200-600
				LD6-A	2	200-600
				LXD6	2	450-600
				LXD6-A	2	450-600
				HJD6,HJXD6	2	200-400
				HJD6-A	2	200-400
				HJXD6-A	2	200-400
				HLD6	2	200-600
	HLD6-A	2	200-600			
	HLXD6	2	450-600			
	HLXD6-A	2	450-600			
	T,L (3P)	T,L (3P)	1200	JD6,JXD6	3	200-400
				JD6-A,JXD6-A	3	200-400
				LD6	3	200-600
				LD6-A	3	200-600
				LXD6	3	450-600
				LXD6-A	3	450-600
				HJD6,HJXD6	3	200-400
				HJXD6-A	3	200-400
				HLD6	3	200-600
				HLD6-A	3	200-600
	HLXD6	3	450-600			
	HLXD6-A	3	450-600			
	L (2,3P)	L (2,3P)	600	NDGB,HDGB	2	50-150
				NDGA,HDGA	2	50-150
				NFGB,HFGB	2	70-250
				NFGA,HFGA	2	70-250
				HFD6,HFXD6	2	70-250
				NJGA,HJGA	2	200-400
				NLGB,HLGB	2	400-600
				NLGA,HLGA	2	400-600
				MD6,MXD6	2	500-800
				HMD6,HMXD6	2	500-800
	ND6,NXD6	2	500-1200			
	HND6,HNXD6	2	500-1200			
	L (3P)	L (3P)	600	NDGB,HDGB	3	50-150

### 480 Volt Fuse Series Ratings (continued)

Series Connected Rating	Main Breaker		Branch Breaker		
	Type	Maximum Amperes	Type	No. of Poles	Amperes
100,000	L (3P)	600	NDGA,HDGA	3	50-150
			NFGB,HFGB	3	70-250
			NFGA,HFGA	3	70-250
			HFD6,HFXD6	3	70-250
			NJGA,HJGA	3	200-400
			NLGB,HLGB	3	400-600
			NLGA,HLGA	3	400-600
			MD6,MXD6	3	500-800
			HMD6,HMXD6	3	500-800
			ND6,NXD6	3	500-1200
HND6,HNXD6	3	500-1200			
PD6,HPD6	3	1200-1600			
HPD6,HPXD6	3	1200-1600			

### 600 Volt Fuse Series Ratings

Series Connected Rating	Main Breaker		Branch Breaker			
	Type	Maximum Amperes	Type	No. of Poles	Amperes	Volts
100,000	J, R, T Fuse (2,&3P)	600	JD6 (-A), JXD6 (-A)	2,3	200-400	600
			HJD6 (-A), HJXD6 (-A)	2,3	200-400	600
100,000	J Fuse (2,&3P)	600	LD6 (-A), HLD6 (-A)	2,3	200-600	600
			LXD6 (-A), HLXD6 (-A)	2,3	450-600	600
			FD6-A, FXD6-A	2,3	70-250	600

# Molded Case Circuit Breakers

IEC 947-2<sup>®</sup> AC Interrupting Ratings, 50/60 HZ KA

*Reference*

Ampere Rating	Breaker Frame	Breaker Type	220/240 Volts		380/415 Volts		500 Volts	
			Icu	Ics	Icu	Ics	Icu	Ics
15-125	ED	ED6	65	17	35	9	—	—
70-250	FD	FXD6	65	33	35	18	—	—
		FD6	65	33	35	18	—	—
		HFD6	100	50	65	33	—	—
		HFXD6	100	50	65	33	—	—
		HHFD6	200	100	100	50	—	—
		HHFXD6	200	100	100	50	—	—
250-400	JD	JXD6(A)	65	33	40	20	—	—
		JD6(A)	65	33	40	20	—	—
		HJD6(A)	100	50	65	33	—	—
		HJXD6(A)	100	50	65	33	—	—
		HHJD6	200	100	100	50	—	—
		HHJXD6	200	100	100	50	—	—
400-600	LD	LXD6(A)	65	33	40	20	—	—
		LD6(A)	65	33	40	20	—	—
		HLD6(A)	100	50	65	33	—	—
		HLXD6(A)	100	50	65	33	—	—
		HHLD6(A)	200	100	100	50	—	—
		HHLXD6	200	100	100	50	—	—
600-800	MD	MXD6	65	33	40	20	—	—
		MD6	65	33	40	20	—	—
		HMXD6	100	50	65	33	—	—
		HMD6	100	50	65	33	—	—
800-1200	ND	NXD6	65	33	40	20	—	—
		ND6	65	33	40	20	—	—
		HNXD6	100	50	65	33	—	—
		HND6	100	50	65	33	—	—

# Molded Case Circuit Breakers

## Typical Specifications

Reference

### General Specifications

Molded case circuit breakers shall provide circuit overcurrent protection with inverse time and instantaneous tripping characteristics and shall be Siemens Sentron, Sensitrip or approved equal.

All circuit breakers shall be CSA Certified and conform to applicable requirements of NEMA Standard Publication No. AB1.

All circuit breakers shall have a quick-make, quick-break over center toggle type mechanism and the handle mechanism shall be trip free to prevent holding contacts closed against a short circuit or sustained overload. All circuit breaker handles shall assume a position between "ON" and "OFF" when tripped automatically. Multi-pole circuit breakers shall be common-trip such that an overload or short circuit on any one pole will result in all poles opening simultaneously. Arc extinction is to be accomplished by magnetic arc chutes. All ratings are to be clearly visible. When reverse feed is indicated on the drawings, in accordance with CSA, circuit breakers with sealed trip units shall be supplied.

### Thermal Magnetic Specifications

Unless otherwise noted on the drawings, all Circuit breakers 2000 Ampere and below shall have thermal-magnetic trip units, with inverse time-current characteristics. Automatic operation of these circuit breakers shall be obtained by means of thermal-magnetic tripping devices located in each pole providing inverse time delay and instantaneous circuit protection. Circuit breakers shall be ambient compensating in that, as the ambient temperature increases over 40°C, the circuit breaker automatically derates itself so as to better protect its associated conductor. Thermal magnetic breakers from 250 to 2000A frames shall have thermal interchangeable trip units, with instantaneous magnetic trip settings that are adjustable and accessible from the front of all circuit breakers on frame sizes 250 Amperes and above. Where indicated, provide circuit breakers CSA Certified for application at 100% of their continuous ampere rating in their intended enclosure.

### Motor Circuit Protectors

Where indicated on the drawings and in the combination motor starter/motor control center schedule, furnish instantaneous magnetic trip only circuit breakers for motor short circuit protection. The magnetic trips shall be adjustable and accessible from the front of all circuit breakers frames. The continuous current rating shall be between 1 and 800 Amperes as indicated on the drawing.

The interrupting rating of the circuit breakers shall be as indicated in the specifications, and shown on the drawing or single line diagram. The interrupting rating of the circuit breakers shall be at least equal to the available short circuit current at the line terminals of the circuit breaker and correspond to the CSA Certified integrated short circuit current rating specified.

### Internal Accessories

Provide shunt trips, bell alarms, and auxiliary switches as shown on the contract drawings. Gold plated auxiliary switches shall be supplied for PLC connection. Internal accessories for all breakers shall be CSA Certified for field installation and modification.

### Connection Accessories

Unless otherwise noted, Mechanical lugs shall be provided with all Molded Case Breakers. Where indicated on the drawings, compression lugs shall be provided on 1200 Ampere frame and below circuit breakers. All compression lugs shall be supplied by the Circuit Breaker Manufacturer. Where indicated on the drawings, CSA Certified plug-in or rear connectors shall be supplied.

### Solid State Sensing Specifications

As indicated on the drawings, circuit breaker frames 400 Ampere through 3200-Ampere shall have microprocessor-based RMS sensing trip units, with the capability to measure through to the 21st harmonic. Automatic operation of all circuit breaker frames 400A and larger shall be obtained by means of solid state tripping elements providing inverse time delay and (instantaneous) and/or (short-time delay) circuit protection. Continuous current ratings shall be adjustable from 20% to 100% of the trip unit rating, without the need for a rating plug. Long-time delay and instantaneous trip shall be adjustable. The optional short-time trip function shall have adjustable pick-up settings, three fixed times, and I<sub>t</sub> ramp. Circuit breaker frames 400A and larger, and where indicated on the drawings, shall be 100% equipment rated.

### Integral Ground Fault Option

Main and feeder circuit breakers, as indicated on the drawings, shall be provided with integral ground fault protection. Ground fault pick-up shall be adjustable from 20% to 70% of the circuit breakers maximum continuous current rating. Ground fault time delay shall be adjustable with three I<sub>t</sub> ramps.

### Metering Option

When indicated on the drawings, solid state trip breakers shall be furnished with a plug-in or panel mounted metering device. This device shall simultaneously display all three phase currents, as well as average current, ground current, and phase unbalance. In addition it shall display breaker status, a max log, and a trip log. The trip log will retain and display date, time and type of trip (overload, short circuit or ground fault) for the most recent 5 trip events.

### Current Limiting Specifications

Where indicated on the drawings, Siemens current limiting circuit breakers are to be furnished. Current limiting circuit breakers shall limit the let-through I<sub>t</sub> to a value less than the I<sub>t</sub> of one-half cycle wave of the symmetrical prospective current without any fusible elements when operating within its current range.

### Series Connected Combination Specifications

Where protective devices are applied in series combination, such that the prospective available fault current exceeds the interrupting rating (AIR) of the downstream protective devices, such combinations shall be CSA Certified combinations. All electrical equipment using these CSA Certified circuit breaker combinations shall be clearly marked.

# Molded Case Circuit Breakers

## Superseded Breakers

Reference

Sentron Series	Note	Superseded	Note	Superseded
CED62B015-CED62B125 CED62S100A CED63A001-CED63A125 CED63B015-CED63B125 CED63S100A HHED63B015-HHED63B125"	① ① ① ① ① ①	CLE62B015-CLE62B100 CLE62S100 CLE63A001-CLE63A125 CLE63B015-CLE63B100 CLE63S100 HED63B015-HED63B125	③ ③ ③ ③	CE2B015-CE2B100 CE2S100 CE3B015-CEB100 CE3S100
CFD62A150, CFD62L150, CFD62A250 CFD62B070-CFD62B250 CFD62S250A CFD63A150, CFD63L150, CFD63A250 CFD63B070-CFD63B250 CFD63S250A	① ① ① ① ① ①	CLF62A150, CLF62A250 CLF62B070-CLF62B240 CLF62S250 CLF63A150, CLF63A250 CLF63B070-CLF63B250 CLF63S250	③ ③	CJ2B125-CJ2B250 CJ3B125-CJ3B250
CJD62B200-CJD62B400 CJD62H400, CJD62L400 CJD62S400A CJD63B200-CJD63B400 CJD63H400, CJD63L400 CJD63S400A	① ① ① ① ① ①	CLJ62B100-CLJ62B400 CLJ62H400, CLJ62H400 CLJ62S400 CLJ63B200-CLJ63B400 CLJ63L400, CLJ63H400 CLJ63S400	④ ④ ④ ④	CJ2B300-CJ2B400 CJ2S400 CJ3B300-CJ3B400 CJ3S400
CPD63B120-CPD63B160	⑤	CP3B120-CP3B160		
ED21B015-ED21B100 ED22B015-ED22B100 ED22S100A ED23B015-ED23B100 ED23S100A	① ① ① ① ①	E21B015-E21B100 E22B015-E22B100 E22S100A E23B015-E23B100 E23S100A	② ② ② ② ②	EE1B015-EE1B100 EE2B015-EE2B100 EE2S100 EE3B015-EE3B100 EE3S100
ED41B015-ED41B100 ED42B015-ED42B125 ED42S100A ED43B015-ED43B125 ED43S100A	① ① ① ① ①	E41B015-E41B100 E42B015-E42B100 E42S100 E43B015-E43B100 E43S100	② ② ② ② ②	EH1B015-EH1B100 EH2B015-ED2B125 EH2S100 EH3B015-EH3B100 EH3S100
ED61B015-ED61B100 ED62B015-ED62B125 ED62S100A ED63A001-ED63A125 ED63B015-ED63B125 ED63S100A HHED63B015-HHED63B125	① ① ① ① ① ① ①	E61B015-E61B100 E62B015-E62B100 E62S100A E63A001-E63A125 E63B015-E63B100 E63S100A HED63B015-HED63B125	② ② ② ② ② ② ②	EF1B015-EF1B020 EF2B015-EF2B100 EF2S100 EF3A003, EF3J050, EF3L050-EF3A100, EF3H1 EF3B015-EF3B100 EF3S100
FD62B070-FD62B250f FD63B070-FD63B250f	① ①	F62B070, F62B250 F63B070-F63B250		
FXD62A150, FXD62L150, FXD62A250 FXD62B070-FXD62B250f FXD62S250A FXD63A150, FXD63L150, FXD63A250 FXD63B070-FXD63B250f FXD63S250A	① ① ① ① ① ①	FJ62A150, FJ62L150-FJ62A250 FJ62B070-FJ62B250 FJ62S250 FJ63A150, FJ63L150-FJ63A250 FJ63B070-FJ63B250 FJ63S250	② ② ② ② ② ②	FJ2B070-FJ2B225 FJ2S225 FJ3A225 FJ3B070-FJ3B225 FJ3S225
HED41B015-HED41B100 HED42B015-HED42B125 HED43B015-HED43B125 HED61B015-HED61B100	① ① ① ①	HE41B015-HE41B100 HE42B015-HE42B100 HE43B015-HE43B100 HE61B015-HE61B100		
HED63B015-HED63B125	①	HE63B015-HE63B100	② ②	HE2B015-HE2B100 HE3B015-HE3B100
HFD62B070-HFD62B250 HFD63B070-HFD63B250 HHED63B015-HHED63B125	① ① ①	HF62B070-HF62B250 HF63B070-HF63B250 HED63B015-HED63B125		
HJD63B200-HJD63B400	①	HJ63B200-HJ63B400	②	HJ3B125-HJ3B400
HLD63B250-HLD63B600	①	HL63B450-HL63B600	②	HL3B450-HL3B600
HMD63B500-HMD63B800	②	HN3B500-HN3B800		
HND63B100-HND63B120	②	HK3B100-HK3B120		
HPD63B120-HPD63B160	②	HP3B120-HP3B160		
HRD63B160-HRD63B200	②	HR3B160-HR3B200		

① Mechanically and electrically interchangeable.

② Electrically interchangeable only, refer to sales office for further details.

③ Electrically interchangeable only if the system interrupting capacity is less than or equal to:  
200 kA at 240V AC  
200 kA at 480V AC  
100 kA at 600V AC

④ Electrically interchangeable only if the system interrupting capacity is less than or equal to:  
200 kA at 240V AC  
150 kA at 480V AC  
100 kA at 600V AC

⑤ Refer to local sales office for replacement information.

⑥ Effective 1994 — The FD6 and FXD6 types have been replaced by FD6-A and FXD6-A type thermal / magnetic circuit breakers — mechanically and electrically interchangeable with the exception that FXD6-A and FD6-A have 22kA at 600V AC ratings versus 18kA at 600V AC for types FXD6 and FD6.

# Molded Case Circuit Breakers

## Superseded Breakers

General

Sentron Series	Note	Superseded	Note	Superseded
JD62B200-JD62B400	①	JLB200-JL62B400	②	JL2B070-JL2B400
JD63B200-JD63B400	①	JL63B200-JL63B400	②	JL3B0L0-JL3B400
JXD22B200-JXD22B400	①	JD22B200-JD22B400	②	JD2B250-JD2B400
JXD22S400A	①	JD22S400	②	JD2S400
JXD23B200-JXD23B400	①	JD23B200-JD23B400	②	JD3B250-JD3B400
JXD23S400A	①	JD23S400	②	JD3S400
JXD62B200-JXD62B400	①	JJ62B200-JJ62B400	②	JJ2B250-JJ2B400
JXD62H400, JXD62L400	①	JL62L400, JL62H400	②	JL2L400-JL2H400
JXD62S400A	①	JJ62S400A		
JXD63B200-JXD63B400	①	JJ63B200-JJ63B400	②	JJ3B200-JJ3B400
JXD63H400, JXD63L400	①	JL63A400, JL63H400, JL63L400	②	JL3H400, JL3L400, JL3A225
JXD63S400A	①	JJ63S400A		
LD62B250-LD62B500	①	LL63B250-LL62B600	②	LL2B450-LL2B600
LD62B250-LD63B600	①	LL63B250-LL63B600	②	LL3B450-LL3B600
LXD62B450-LXD62B600	①	LJ62B450-LJ62B600		
LXD62J600, LXD62L600	②	LL2H600, LL2U600, LL2X600		
LXD62S600A	①	LJ62S600		
LXD63B450-LXD63B600	①	LJ63B450-LJ63B600		
LXD64H600, LXD63L600	①	LL63H600, LL63L600	②	LL3A450, LL3H600
LXD63S600A	①	LJ63S600A	②	LL3S600
MD62B500-MD62B800	②	KM2B500-KM2B800		
MD63B500-MD63B800	②	KM3B500-KM3B800		
MXD62A800, MXD62H800, MXD62L800	②	KM2A800, KM2H800, KM2L800		
MXD62S800A	②	KM2S800		
MXD63A800, MXD63H800, MXD63L800	②	KM3A600, KM3H800, KM3L800		
MXD63S800A	②	KM3S800		
ND63B100-ND63B900	②	KP3B100-KP3B900		
NXD63S120A	②	KP3S120		
PD63B120-PD63B160	②	HP3B120-HP3B160		
PXD63S160A	②	HP3S160		
RD63B160-RD63B200	②	HR3B160-HR3B200		
QR22B100 – QR22B225		QJ22B060-QJ22B225		
QR22B100H – QR22B225H		QJ22B060H-QJ22B225H		
HQR23S250HA		QJ22S225		
QJ23B100 – QR23B225		QJ23B060-QJ23B225		
QR23B100H – QR23B225H		QJ23B060H-QJ23B225H		
QRH22B100 – QRH22B225		QJH22B060-QJH22B225		
QRH23B100 – QRH23B225		QJH23B060-QJH23B225		
HQR23S250HA		QJH23S225	①	
QJH22B060-QJH22B225	①	QJ2H125-QJ2B225		
QJH23B060-QJH23B225	①	QJ3H125-QJ3H225		
QJH23S225	①	QJ3S225		
RD63B160-RD63B200	②	HR3B160-HR3B200		
RXD63S200A	②	HR3S200		
SCJD6B200LI-SCJD6B400LI	①	SCJD69200-SCJD69400		
SCJD6B200LIG-SCJD6B400LIG	①	SCJD69200G-SCJD69400G		
SCJD6B200LSIG-SCJD6B400LSIG	①	SCJD69200NGT-SCJD69400NGT		
SCJD6B200LSI-SCJD6B400LSI	①	SCJD69200NT-SCJD69400NT		
SCLD6B300LI-SCLD6B600LI	①	SCLD69300-SCLD69600		
SCLD6B300LIG-SCLD6B600LIG	①	SCLD69300G-SCLD69600G		
SCLD6B300LSIG-SCLD6B600LSIG	①	SCLD69300NGT-SCLD69600NGT		
SCLD6B300LSI-SCLD6B600LSI	①	SCLD69300NT-SCLD69600NT		
SCMD6B600LI-SCMD6B800LI	①	SCMD69600A-SCMD69800A		
SCMD6B600LIG-SCMD6B800LIG	①	SCMD69600AG-SCMD69800AG		
SCMD6B600LSIG-SCMD6B800LSIG	①	SCMD69600ANGT-SCMD69800ANGT		
SCMD6B600LSI-SCMD6B800LSI	①	SCMD69600ANT-SCMD69800ANT		
SCND6B800LI-SCND6B120LI	①	SCND69800A-SCND69120A		
SCND6B800LIG-SCND6B120LIG	①	SCND69800AG-SCND69120AG		
SCND6B800LSIG-SCND6B120LSIG	①	SCND69800ANGT-SCND69120ANGT		
SCND6B800LSI-SCND6B120LSI	①	SCND69800ANT-SCND69120ANT		

①Mechanically and electrically interchangeable.

②Electrically interchangeable only, refer to sales office for further details.

③Electrically interchangeable only if the system interrupting capacity is less than or equal to:

200 kA at 240V AC  
200 kA at 480V AC  
100 kA at 600V AC

④Electrically interchangeable only if the system interrupting capacity is less than or equal to:

200 kA at 240V AC  
150 kA at 480V AC  
100 kA at 600V AC

⑤Refer to local sales office for replacement information.

# Molded Case Circuit Breakers

## Superseded Breakers

General

Sentron Series	Note	Superseded	Note	Superseded
SHJD6B200LI-SHJD6B400LI	①	SHJD69200-SHJD69400	①	SHJ63B200-SHJ63B400G
SHJD6B200LIG-SHJD6B400LIG	①	SHJD69200G-SHJD69400G	①	SHJ63B200G-SHJ63B400G
SHJD6B200LSIG-SHJD6B400LSIG	①	SHJD69200NGT-SHJD69400NGT	①	SHJ63N200G-SHJ63N400G
SHJD6B200LSI-SHJD6B400LSI	①	SHJD69200NT-SHJD69400NT	①	SHJ63N200-SHJ63N400
SHLD6B300LI-SHLD6B600LI	①	SHLD69300-SHLD69600	①	SHL63B300-SHL63B600
SHLD6B300LIG-SHLD6B600LIG	①	SHLD69300G-SHLD69600G	①	SHL63B300G-SHL63B600G
SHLD6B300LSIG-SHLD6B600LSIG	①	SHLD69300NGT-SHLD69600NG	①	SHL63N300G-SHL63N600G
SHLD6B300LSI-SHLD6B600LSI	①	SHLD69300NT-SHLD69600NT	①	SHL63N300-SHL63N600
SHND6B100LI-SHND6B120LI	①	SHND69100A-SHND69120A	①	SHND69100-SHND69800
SHND6B100LIG-SHND6B120LIG	①	SHND69100AG-SHND69120AG	①	SHND69100G-SHND69800G
SHPD6B140LI-SHPD6B160LI	①	SHPD69140-SHPD69160	②	SHPF3B120-SHPF3B160
SHPD6B140LIG-SHPD6B160LIG	①	SHPD69140G-SHPD69160G	②	SHPF3B120G-SHPF3B160G
SHND6B100LSIG-SHND6B120LSIG	①	SHND69100NGT-SHND69800NGT	①	SHKF3N100G-SHKF3N800G
SHND6B100LSI-SHND6B120LSI	①	SHND69100NT-SHND69800NT	②	SHKF3N100-SHKF3N800
SJD6B200LI-SJD6B400LI	①	SJD69200-SJ369400	①	SJL63B200-SJL63B400
SJD6B200LIG-SJD6B400LIG	①	SJD69200G-SJD69400G	①	SJL63B200G-SJL63B400G
SJD6B200LSIG-SJD6B400LSIG	①	SJD69200NGT-SJD69400NGT	①	SJL63N200G-SJL63N400G
SJD6B200LSI-SJD6B400LSI	①	SJD69200NT-SJD69400NT	①	SJL63N200-SJL63N400
SLD6B300LI-SLD6B600LI	①	SLD69300-SLD69600	①	SLL63B300-SLL63B600
SLD6B300LIG-SLD6B600LIG	①	SLD69300G-SLD69600G	①	SLL63B300G-SLL63B600G
SLD6B300LSIG-SLD6B600LSIG	①	SLD69300NGT-SLD69600NGT	①	SLL63N300G-SLL63N600G
SLD6B300LSI-SLD6B600LSI	①	SLD69300NT-SLD69600NT	①	SLL63N300-SLL63N600
SMD6B600LI-SMD6B800LI	①	SMD69600A-SMD69800A	①	SMD69600-SMD69800
SMD6B600LIG-SMD6B800LIG	①	SMD69600AG-SMD69800AG	①	SMD69600G-SMD69800G
SMD6B600LSIG-SMD6B800LSIG	①	SMD69600ANGT-SMD69800ANGT	①	SMD69600NGT-SMD69800NGT
SMD6B600LSI-SMD6B800LSI	①	SMD69600ANT-SMD69800ANT	①	SMD69600NT-SMD69800NT
SND6B800LI-SND6B120LI	①	SND69800A-SND69120A	①	SND69100-SND69800
SND6B800LIG-SND6B120LIG	①	SND69800AG-SND69120AG	①	SND69100G-SND69800G
SND6B800LSIG-SND6B120LSIG	①	SND69800ANGT-SND69120ANGT	①	SND69100NGT-SND69800NGT
SND6B800LSI-SND6B120LSI	①	SND69800ANT-SND69120ANT	①	SND69100NT-SND69800NT
SHPD6B140LI-SHPD6B160LI	①	SPD69140-SPD69160	②	SHPF3B120-SHPF3B160
SHPD6B140LIG-SHPD6B160LIG	①	SPD69140G-SPD69160G	②	SHPF3B120G-SHPF3B160G
SHPD6B140LSIG-SHPD6B160LSIG	①	SPD69140NGT-SPD69160NGT	②	SHPF3N120-SHPF3N160G
SHPD6B140LSI-SHPD6B160LSI	①	SPD69140NT-SPD69160NT	②	SHPF3N120G-SHPF3N160G
—	④	BQCC1B015-BQC1B030		
—	④	CC1B015-CC1B030		
—	④	CC2B015-CC2B030		
—	④	CC3B015-CC3B030		
—	④	EF2A003, EF2H050, EF2L050, EF2A100		
—	④	EF2H150, EF2L150		
—	④	EH1B015-EH1B100		
—	④	EH2B015-EH2B100		
—	④	EH3B015-EH3B100		
—	③	HE2A003, HE2H050, HE2L050-HE2A100		
—	③	HE3A003, HE3H050, HE3L050-HE3A100		
—	③	HE3B015-HE3B100		

①Mechanically and electrically interchangeable.  
 ②Electrically interchangeable only, refer to sales office for further details.  
 ③These units are for replacement purposes only. Consult sales office for availability.

④These units are no longer manufactured, and no replacement is available.



## Contents

<b>Features and Benefits</b>	6-3	<b>WL Catalogue Numbering Overview</b>	6-24
<b>Breaker Assembly View</b>	6-4	<b>UL 489 Ratings</b>	6-25
<b>Product Overview</b>	6-5	Ratings for UL 489	6-25
<b>Draw-out Cradle Assembly View</b>	6-6	Ratings for UL 489 (non-automatic)	6-26
<b>Electronic Trip Units (ETUs)</b>	6-7	<b>UL 489 Assembled Breaker Catalogue Number</b>	6-27
ETU Models and features	6-8	Interrupting Rating, Frame Size, Breaker Type and Frame Rating	6-27
ETU Communication	6-8	Rating Plug	6-28
ETU Metering function	6-9	Electric Trip Unit	6-28
Alarm Parameters	6-10	Bell Alarm, Ready-to-close Contacts	6-29
Extended Relaying	6-10	Shunt Trip	6-29
Function Overview of the ETU	6-11	Undervoltage Release	6-30
<b>Factory Installed Options</b>	6-13	Charging Motor, Motor Switch, Operations Counter	6-30
Ground Fault Module	6-13	Close Coil, Power Metering and Communications	6-31
Key Lock-out	6-13	Breaker Locks	6-31
Operation Counter	6-13	Miscellaneous Options	6-31
Auxiliary Contacts	6-13	<b>UL 489 Assembled Breaker Catalogue Number (non-automatic)</b>	6-32
Breaker Status Sensor (BSS)	6-13	Breaking Capacity, Frame Size, Switch Type and Frame Rating	6-32
Bell Alarm Contact and Reset Coil	6-14	Ready-to-close Auxiliary Contacts	6-32
Racking Handle Key Lock	6-14	Shunt Trip	6-33
Breaker Push-button Locks	6-14	Undervoltage Release	6-33
Close Coil	6-14	Charging Motor Switch and Operation Counter	6-34
Spring Charging Handle Lock	6-15	Close Coil Communications	6-34
Rating Plugs	6-15	Switch Locks	6-35
Ready-to-close Contact	6-15	Miscellaneous Options	6-35
Shunt Trip	6-15	<b>UL 489 Accessories</b>	6-36
Shunt Trip (continuous duty)	6-15	External Breaker Accessories	6-36
Status Contact	6-16	<b>UL 489 Cradle Catalogue Numbers</b>	6-37
Spring Charging Motor	6-16	<b>UL 489 Cradle Accessories</b>	6-39
Undervoltage Release	6-16	<b>UL 1066 Ratings</b>	6-40
Secondary Disconnect	6-17	Ratings for UL 1066	6-40
Isolation Shutters	6-17	Ratings for UL 1066 (non-automatic)	6-41
PROFIBUS or MODBUS Communications	6-17	<b>UL 1066 Assembled Breaker Catalogue Number</b>	6-42
Dual Key Breaker Locking	6-17	Interrupting Rating, Frame size, Breaker type and Frame Rating	6-42
<b>Cradle Accessories and Options</b>	6-18	Rating Plug	6-43
Arc Chute Cover	6-18	Electronic Trip Units	6-43
TOC (truck operated contacts)	6-18	Bell Alarm, Auxiliary Contacts	6-44
MOC (mechanism operated contacts)	6-18	Shunt Trip	6-44
<b>Accessories</b>	6-19	Undervoltage Release	6-45
Communication Power Supplies	6-19	Charging Motor	6-45
Handheld Test Device	6-19	Close Coil Power Metering and Communications	6-46
Breaker Display Adapter (BDA)	6-19	Breaker Locks	6-46
Mechanical Breaker Interlocks	6-19	Miscellaneous Options	6-46
Metering Current Transformer – 3-Phase Window	6-20	<b>UL 1066 Non-automatic Assembled Breaker Catalogue Numbers</b>	6-47
Metering Current Transformer – Single Phase	6-20	Breaking Capacity, Frame Size, Switch Type and Frame Rating	6-47
Neutral Current Sensor – 4-Wire Residual	6-20	Auxiliary Contacts	6-48
Breaker Door Cover	6-21	Shunt Trip	6-48
Door Sealing Frame	6-21	Undervoltage Release	6-48
Breaker Lifting Device	6-21	Charging Motor, Motor Switch, Operations Counter	6-49
Remote Breaker Racking Device	6-21	Close Coil, Communications	6-49
Breaker Hoist	6-21	Switch Locks	6-50
CubicleBus Modules	6-22	Miscellaneous Options	6-50
Digital Input Module	6-22		
ZSI Module	6-22		
Analog Output Module	6-22		
Pre-assembled CubicleBus Communication Cables	6-22		
Fixed-Mounted Breaker Bus Connectors	6-23		
Primary lug connector kits	6-23		

## Contents

<b>UL 1066 Breaker External Accessories</b>	6-50	<b>Options and Accessories</b>	6-117
<b>UL 1066 Cradle Catalogue Numbers</b>	6-51	Mushroom Head Emergency Open Button	
<b>UL 1066 Accessories</b>	6-52	Door Sealing Frame	
<b>Secondary Terminal Assignments</b>	6-53	Plexiglass Breaker Cover	
<b>General Wiring Schematic</b>	6-54	Breaker Lifting Device	
<b>Ground Fault Setting</b>	6-56	Breaker Manual Charging Handle Replacement	
<b>Metering Voltage Details</b>	6-57	Breaker Shaft Extension	
<b>UL 489 Fixed Breaker Dimensions</b>	6-58	Breaker Maintenance Grease	
<b>UL 489 Draw-out Breaker Dimensions</b>	6-74	Breaker Replacement Feet	
<b>UL 489 Door Sealing Frame Dimensions</b>	6-88	WL Circuit Breaker Certified Test Report	
<b>UI 1066 Draw-out Breaker Dimensions</b>	6-89	Wire for N + GF CTs from X8.11 & 12 to Electronic Trip	
<b>UL 1066 Draw-out Fuse Carriage Dimensions</b>	6-90	Cubicle-bus Internal Wiring	
<b>UL 1066 Door Sealing Frame Dimensions</b>	6-102	Return to Factory Shipping Cartons for Breaker Only	
<b>UL 1066 Draw-out Dimensions</b>	6-103	<b>Communication Components</b>	6-118
Spare/Replacement Parts		Breaker Communications Module	
<b>Trip Unit Options</b>	6-104	Breaker Status Sensor	
Rating Plugs	6-104	External I/O CubicleBus Module	
Trip Unit Test Equipment	6-105	Cables for CubicleBus Modules	
24V DC Power Supply	6-105	External Communications Devices	
<b>Draw-out Cradle Assembly</b>	6-106	Technical Support Literature	
Secondary Disconnects	6-106	Typical Certified Test Report	
Stationary Primary Bus-bar Disconnect Terminals	6-107	Quick Reference Guide	
Cradle Arc Chute Cover	6-107	<b>Ratings for 4 Pole UL 1066 (ANSI C37) Circuit Breakers</b>	
MOC (mechanism operated aux. contacts)	6-107	Frame size 2	6-122
TOC (truck operated aux. contacts)	6-107	Frame size 3	6-123
Isolation Shutters	6-107	<b>Ratings for UL 1066 Non-automatic switches</b>	6-123
Locking Devices	6-108	<b>UL 1066 Listed Catalogue Number</b>	6-124
Mechanical Interlock Devices	6-108	Interrupting rating, frame size, breaker type and frame rating	
<b>Metering CT Units</b>	6-109	<b>Rating Plug and Electronic Trip Units (ETU)</b>	6-125
3-Phase Metering CTs	6-109	Bell alarm, breaker ready-to-close, auxiliary contacts	6-126
Single Phase Metering CTs	6-109	<b>UL 1066 Listed Non-automatic Catalog Number</b>	
<b>Ground Fault and Current Sensors</b>	6-110	Undervoltage Release (with or without time delay) or 2nd Shunt Trip	6-127
<b>Circuit Breaker Accessories</b>	6-111	Charging Motor, Motor switch, Operations Counter	6-127
Shunt Trip Releases	6-111	Close Coil, Power Metering and Communications	6-128
Auxiliary Switches	6-111	Breaking Capacity, Frame Size, Switch Type and Frame Rating	6-129
Bell Alarm Switches	6-111	Breaker Ready-to-close Auxiliary Contacts	6-130
Ready-to-close switch	6-111	Shunt Trip	6-130
Operation Counter	6-111	Undervoltage Release (with or without time delay) or 2nd Shunt Trip	6-130
Undervoltage Trip Release	6-112	Charging Motor, Motor Switch, Operations Counter	6-131
Signal Contractor for UV Trip	6-112	Close Coil, Communications	6-131
Closing Coil	6-112	Switch Locks	6-132
Spring Charging Motor	6-113	Miscellaneous Options	6-132
UL 1066 Internal Contact Replacement Kit	6-113	<b>UL 1066 Fixed Mount Breaker Vertical Connector Kits</b>	6-132
Internal Phase Sensor	6-113	Interrupting Rating, Frame Size and Frame Rating	6-133
UL1066 Circuit Breaker Arc Chute Replacement Kit	6-113	Arc Chute Cover	6-134
Circuit Breaker Finger Cluster Replacement Kit	6-114	Door Locks and Mechanical	6-134
Circuit Breaker Bus Connectors (fixed mounted)	6-114	Mechanism Operated Contacts (MOCs)	6-134
Circuit Breaker Fix Mount Optional Metric Hardware	6-114	Connector and Heater Options	6-134
<b>Options and accessories</b>	6-115	Frame Sizes / Dimension Drawings	6-135
Locking devices/sealing caps & padlocking provisions	6-115		
Breaker locking devices	6-116		
<b>Fuse Kits</b>	6-116		
WL Fuse Replacement Kits	6-116		

# WL Circuit Breaker

## Introduction

Businesses are becoming increasingly more intelligent about the way they consume energy. Industrial and Commercial energy consumers are continuously looking for practical and efficient methods of measuring their energy usage while simultaneously ensuring any possible downtime is minimized. At Siemens we understand those needs and we have developed products and solutions to help energy consumers achieve their goals.

One of our solutions begins with our world-class WL Circuit Breakers. The WL line-up of breakers developed by Siemens combines decades of patented circuit breaker protection experience with the latest technology in circuit breaker performance and communication.

A good example of our innovative technology is, Dynamic Arc-Flash Sentry® (DAS). DAS is a solution that allows users the ability to automatically lower the down-stream available fault current when facility personnel are nearby the electrical equipment. Helping our customers provide a safer work-place environment is an important part to our overall solutions.

Other valuable aspects that complement our solutions are the WL circuit breaker's ability to gather energy and environmental data and send it to a central or remote monitoring network system. You'll find these capabilities and more when you take a closer look at WL circuit breakers features within this guide.

## WL Circuit Breaker Features and Benefits

- 3 frame sizes: Three frame sizes that cover a wide range of continuous current ratings allow for flexible exchange of breakers to other compartments and reducing the footprint of the breaker enclosures.
- Ready-to-close indication: Built-in check points of the breakers mechanical operator provide an additional layer of safety and external controls by inhibiting the breaker from closing until certain conditions are satisfied.
- 100% rating: All model breakers are designed for continuous operation at their maximum current ratings without de-rating the frame.
- High-efficiency: Low loss of energy flowing through the breaker reduces the operating costs.
- Bi-directional feed: Top or bottom supply feed without any hardware configuration changes.
- Rogowski coil sensing: Full range sensing without tap terminals or exchanging sensors to match load change requirements.
- Modular trip unit: Upgrading to a higher or lower current rating, adding ground fault, power monitoring or communication is cost effective and expandable using separately available modules.
- **Common accessories:**  
Interchangeable accessories for all frame sizes makes upgrading easy and readily available.

## Overview

## Applications

The WL line of power breakers are protecting electrical distribution applications like waste water treatment, industrial plants, hospitals, transportation systems and data centers just to name a few. Yes, mission critical applications trust the Siemens WL circuit breakers to operate safe and reliably. The compact modular design provides higher power density in a section or line-up of distribution gear. Components like spring-charging motor, shunt trips, and trip units are common across the entire line of breakers. That allows users the ability to stock fewer spare parts or exchange options if necessary. Common options and accessories also make learning how to order, maintain and operate the WL much easier than most breakers on the market today.

WL circuit breakers are manufactured and performance tested to comply with UL489 and UL1066 standards for listed products.

UL/CSA 489 Listed type WL low voltage insulated case circuit breakers are generally intended to provide service entrance, feeder, and branch circuit protection in accordance with UL/CSA 489 Standard for Safety for Molded-Case Circuit Breakers, Molded-Case Switches, and Circuit-Breaker Enclosures. This versatile family of insulated case circuit breakers is acceptable for use within low-voltage switchboards (i.e. UL 891), low-voltage motor control centers (i.e. UL 845), and other types of industrial control equipment (i.e. UL 508 series). Certain options and maintenance capability may be limited in comparison to the UL1066 Listed circuit breakers. UL file numbers E231263, E236091 and E236299 apply.

UL 1066 Listed type WL low voltage power circuit breakers are generally intended to provide main and feeder circuit protection in accordance with UL1066 Standard for Safety for Low-Voltage AC and DC Power Circuit Breakers Used in Enclosures. Presently, there is not an equivalent CSA standard to UL 1066, and therefore these circuit breakers do not carry a CSA listing mark. These circuit breakers are constructed in compliance with ANSI/IEEE C37.13, and performance tested in accordance with ANSI C37.50. Throughout this document any reference to UL1066 will also mean ANSI C37 Certified. This versatile family of power circuit breakers is acceptable for use within low voltage switchgear (i.e. ANSI/IEEE C37.20.1, ANSI/IEEE C37.20.7, and UL 1558), low voltage switchboards (i.e. UL 891), low voltage motor control centers (i.e. UL 845), and other types of industrial control equipment (i.e. UL 508 series). Certain options and ratings may be limited in comparison to the UL/CSA 489 Listed circuit breakers. UL file numbers E240124, E240232, E240233 and E236299 apply. UL file numbers E231263, E236091 and E236299 apply.

# WL Circuit Breaker

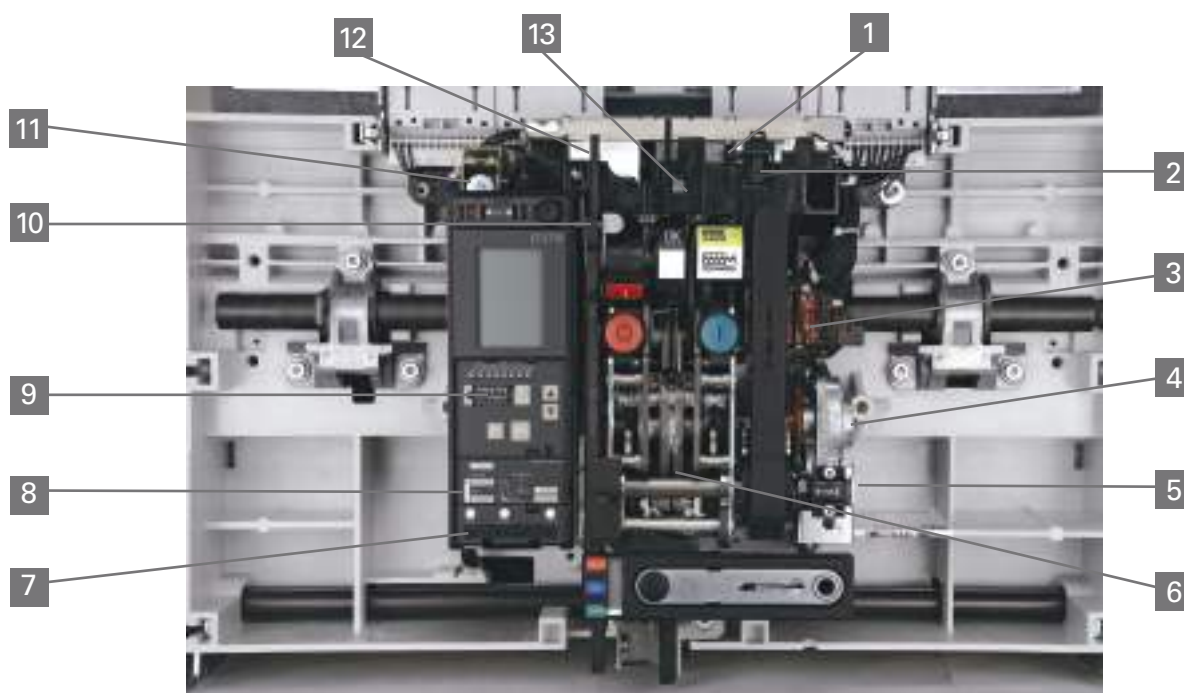
## Breaker Assembly View

Overview



### Exterior Breaker Features

- ① Secondary contacts
- ② Charging handle
- ③ Centralized operator panel
- ④ Integral racking handle with position indicator
- ⑤ Trip unit with LCD
- ⑥ Arc chutes



### Interior Breaker Features

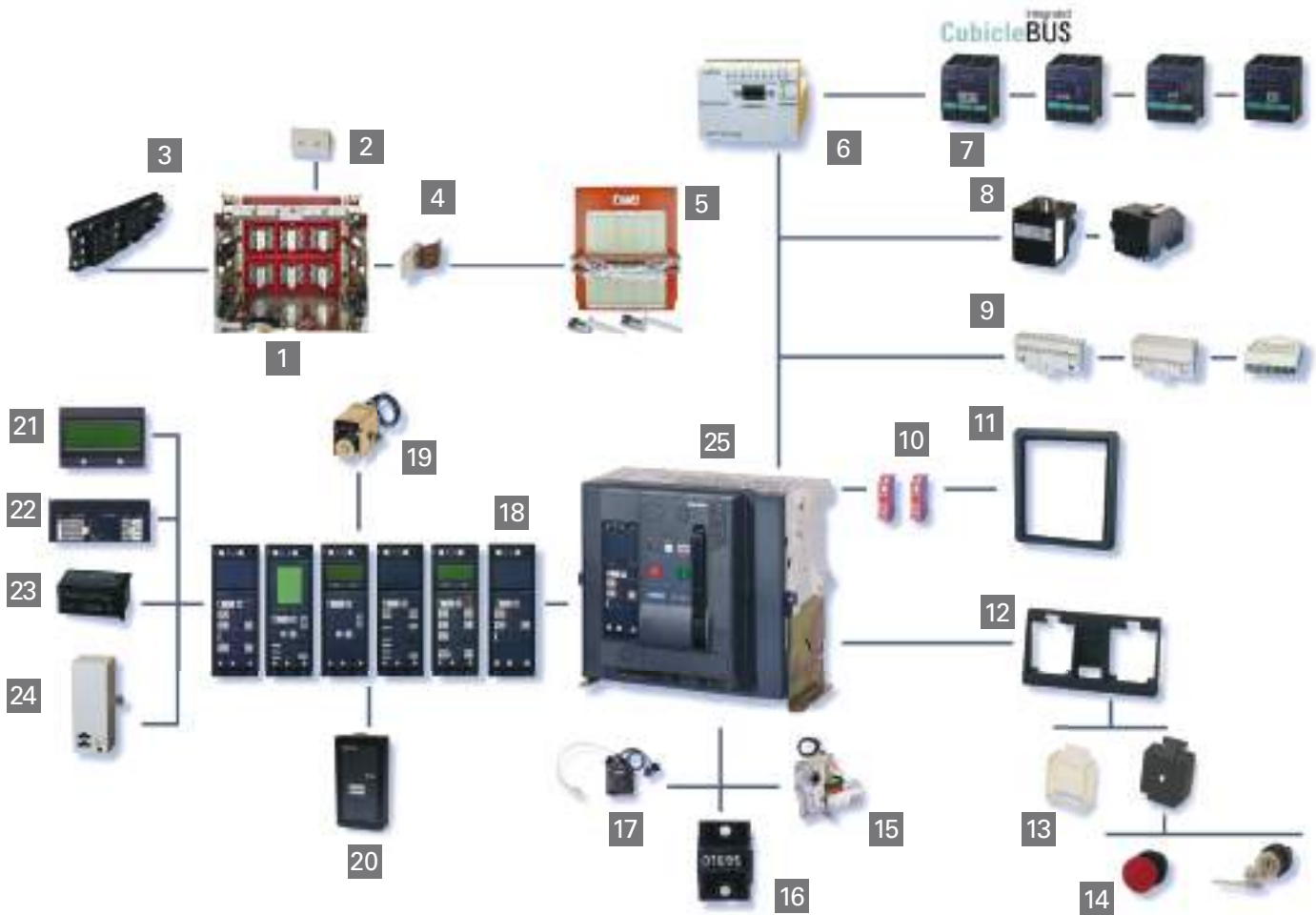
- ① Remote closing coil
- ② Second shunt trip or UV release
- ③ Auxiliary switch
- ④ Automatic charging motor
- ⑤ Operation counter
- ⑥ Operating mechanism
- ⑦ Electronic trip unit (ETU)
- ⑧ Optional ground fault module with alarm and trip functions
- ⑨ Interchangeable current rating plug
- ⑩ Breaker status sensor (BSS)
- ⑪ Bell alarm contact with remote reset
- ⑫ Shunt trip coil
- ⑬ Ready-to-close-contact



# WL Circuit Breaker

Superior Individual Products for Low-voltage Power Distribution Systems

Overview

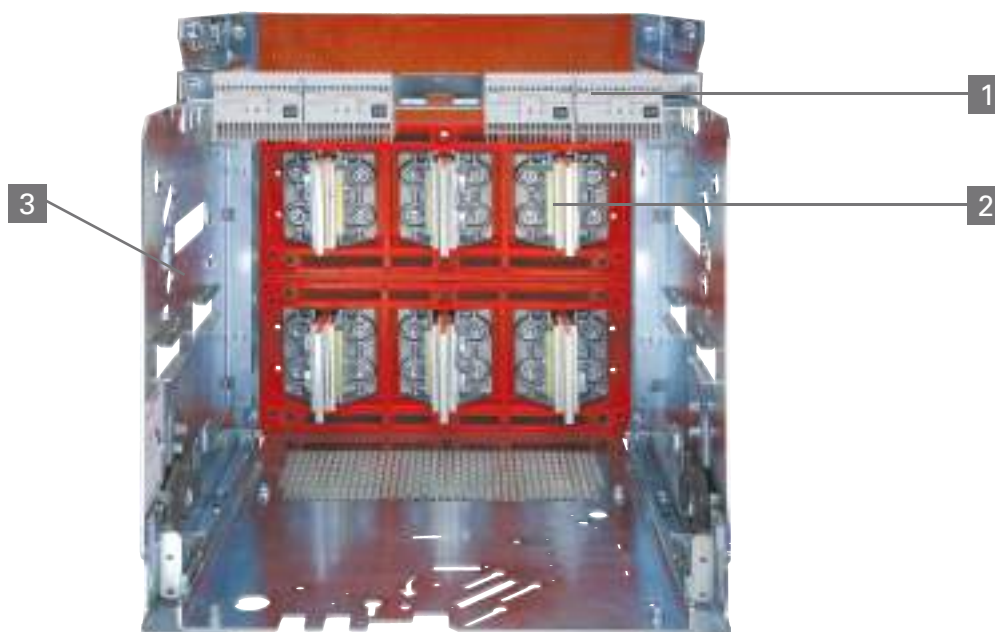


- ❶ Guide Frame (for drawout version only)
- ❷ Vertical to Horizontal BUS Connector
- ❸ Position Signaling Switch
- ❹ Breaker / Guide Frame Grounding Contact
- ❺ Shutter (locking)
- ❻ MODBUS or PROFIBUS Communications
- ❼ External CubicleBUS I/O Module
- ❽ Plug-In Open and Closed Solenoids
- ❾ Multiple Secondary Connections
- ❿ Auxiliary Switch Block
- ⓫ Door Sealing Frame
- ⓬ Interlocking Set Base Plate
- ⓭ Protective Cover for OPEN/CLOSE Buttons
- ⓮ Multiple Key Locking Accessories
- ⓯ Single Bolt Motor Operator Installation
- ⓰ Operations Counter
- ⓱ Breaker Status Sensor (BSS)
- ⓲ Complete Trip Unit Family
- ⓳ Remote Reset
- ⓴ Breaker Data Adapter (BDA) for Internet Connection
- ⓵ Multi Angle LCD Module
- ⓶ Ground Fault Protection Module
- ⓷ Rating Plug
- ⓸ Metering Function (+ wave forms and harmonics)
- ⓹ Circuit Breaker

# WL Circuit Breaker

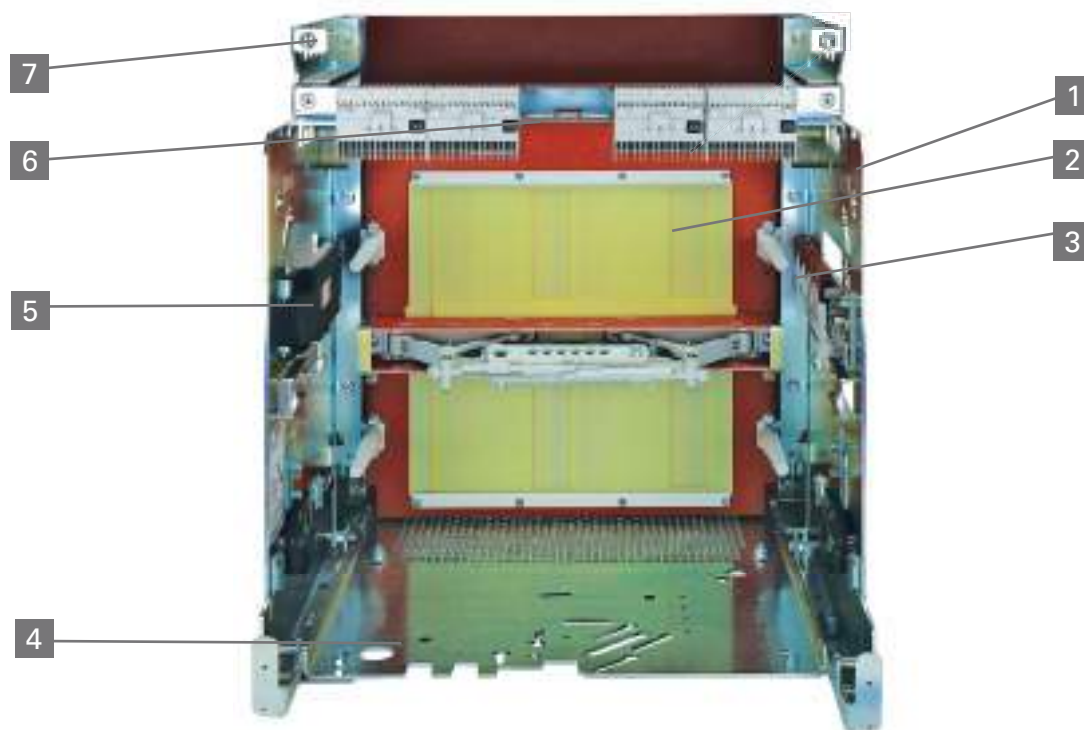
## Draw-out Cradle Assembly View

*Overview*



### Standard cradle

- ① Stationary secondary disconnect
- ② Primary disconnects
- ③ Cradle frame assembly for draw-out breakers



### Cradle accessories

- ① Mechanical interlock (not shown)
- ② Isolation shutters
- ③ Mechanism operated contact switches (MOC)
- ④ Dual key-lock location
- ⑤ Breaker position switches (TOC)
- ⑥ Communication module location (COM 16 or COM 15)
- ⑦ Optional arc chute cover (not shown)

# WL Circuit Breaker

## Electronic Trip Unit (ETU)

General

Power system protection is necessary to treat common types of abnormal occurrences, such as overloads or faults that can lead to electrical power system failure.

The methods for detecting and clearing such abnormalities and restore to normal operation is an engineered technique. Adequate protection requires constant measurements of certain system quantities, such as voltages and currents, comparing those system quantities, or some combination of the quantities, to a threshold setting computed by a systems engineer and set into an electronic trip unit like those available on the WL breakers. It's equally important for power system protection to perform under normal operating conditions. If the above thresholds are set too low the power may be interrupted unnecessarily causing loss of productivity or safety provisions.

The WL circuit breaker offers a practical means of setting power system protection through vast selectivity available in its Electronic Trip Unit (ETU). WL ETUs have a wide range of protective settings for implementing simple or complex coordination schemes and configuring reliable system protection.

### ETU Enhanced Features

- Extended Instantaneous Protection (EIP): Allows the entire range of WL ampacities to be applied at the withstand rating of the breaker with minus 0% tolerance; that means no instantaneous override whatsoever. EIP further enables the circuit breaker to be applied up to the full interrupting rating of the breaker on systems where the available fault current exceeds the withstand rating, even with LS-only trip units.
- Dynamic Arc-Flash Sentry (DAS): Allows you the ability to execute a faster coordinated trip condition should an arc fault event occur while personnel are within the arc flash boundary. When the presence of personnel is no longer in the arc flash boundary, DAS will default back to maintaining your selective trip coordination through time delay functions. This is like toggling between two trip units on one breaker. DAS can be activated by a simple contact closer, so a wide range of activation devices can be used to enable DAS.
- Selectable I<sup>4</sup>t: ETU745 and 776 make it possible to switch over from an I<sup>2</sup>t to an I<sup>4</sup>t inverse-time function for overload protection. This selectivity increases optimization of coordinated overload protection when overload fuse protection is also provided.

### ETU Basic Functions

#### Long-time trip

The long-time delay adjustment is used to set the tripping delay of the circuit breaker based on the magnitude of the overcurrent condition (6 times I<sub>r</sub>). For example if the rating plug is 2000 amps and the long-time delay is set to 10 seconds, a fault current of 12,000 amps (6 x 2000) will cause the breaker to trip after 10 seconds. Long-time is an inverse of I<sup>2</sup>t ramp function. This means the higher the current, the shorter the time the circuit breaker will remain closed. An Alarm LED indicator will flash during the delay period and a separate "Trip L" indicator may turn on if the breaker trips on long-time function.

#### Short-time trip

The short-time pickup adjustment is used to set the level of high current the breaker will carry for a short period of time without tripping. This adjustment is set in multiples of the value of the rating plug (I<sub>r</sub>). Together with the short-time delay, this adjustment allows downstream breakers time to clear short circuit faults without tripping upstream breakers. Short-time delay is used to set the time interval the breaker will wait before responding to the current value selected by short-time pickup. There are two modes of operation: fixed and I<sup>2</sup>t. The I<sup>2</sup>t delay has the characteristic of being inversely proportional to the square of the magnitude of the current. This means higher overcurrent conditions have shorter delays. An Alarm LED indicator may flash during the delay period and a separate "Trip S" indicator will turn on if the breaker trips on short-time function.

#### Instantaneous trip

The instantaneous pickup adjustment is used to set the current level at which the breaker will trip without an intentional time delay. Non-delayed tripping as a result of severe over-current minimizes potential damage to the electrical system and equipment.

#### Ground fault

The ground fault pickup adjustment is used to set the level of ground current at which circuit interruption will be initiated.

Together with ground fault delay, this adjustment allows selective tripping between main and feeder or downstream breakers.

The ground fault delay adjustment is used to set the time interval (in seconds) the breaker will wait before responding once the ground fault pickup level has been reached. The available ground fault delay settings available are: inverse time (I<sup>2</sup>t) or fixed delay.



# WL Circuit Breaker

## Electronic Trip Unit (ETU)

*Selection*



### ETU Models and Features

Features and Characteristics	ETU745	ETU748	ETU776
Long-time overcurrent protection (L)	X	X	X
Short-time delayed overcurrent protection (S)	X	X	X
Instantaneous overcurrent protection (I)	X	X	X
Neutral conductor protection (N)	X	X	X
Ground fault protection (G)	O	O	O
Selectable neutral protection	X	X	X
Defeatable short-time protection	X	–	X
Defeatable instantaneous protection	X	–	X
Selectable thermal memory	X	–	X
Zone selective interlocking	X	–	X
Selectable I2t or fixed short-time delay	X	X	X
Adjustable instantaneous pick-up	X	X	X
Selectable I2t or I4t long-time delay	X	X	X
Adjustable short-time delay and pick-up	X	X	X
Selectable and adjustable neutral protection	X	X	X
Dual protective setting capability	–	–	X
Dynamic arc-flash sentry (DAS)	–	–	X
Extended instantaneous protection (EIP)	–	–	X
Parameterization by rotary switches	–	–	
Parameterization by communication (absolute values)	–	–	X
Parameterization by menu/keypad (absolute values)	–	–	X
Remote parameterization of the alarm functions	–	–	X
Remote parameterization of the relay functions	–	–	X
Alphanumeric display	O	O	X
Graphical display	–	–	X
Power metering function	O	O	O
Communication via PROFIBUS-DP	O	O	O
Communication via the MODBUS	O	O	O
Communication via the Ethernet (BDA)	O	O	O

(X) = Standard Feature, (O) = Optional Feature

### ETU Communication

The ETU uses a Siemens proprietary communication network called CubicleBus. The CubicleBus network ensures all Siemens devices are able to transmit data reliably and efficiently. The ETU can not be connected directly any other network so the use of converters are necessary to allow communication between the ETU and the outside world. The WL has three types of converters to allow communication between the ETU and computer type equipment. The three converts are:

- PROFIBUS (COM15)
- ModBus (COM16)
- HTML or TCP/IP (BDA)

The WL PROFIBUS converter is model 'COM15.' The COM15 device acts as an interface between the WL breaker and the information environment. A joint

device master file (GSD) can be used for integrating WL circuit breakers in a PROFIBUS-DP network. The advantage of this joint communication profile is that the same software can be used for automation, monitoring and control systems.

The WL ModBus converter is model 'COM16'. The COM16 device enables the WL breaker to be connected to any Modbus master network. Universal Modbus mapping can be used to allow custom monitoring and controls with a centralized monitoring system. The Modbus port is configured for RS485 connectivity and can easily be daisy-chained to several WL breakers to create a serial-network suitable for connecting to a LAN or WAN network.

The WL HTML or TCP/IP converter is called 'BDA.' The BDA is a microcomputer with an embedded Linux operating system running a web server application. The HTML pages and JAVA codes are stored internal to the BDA and can be accessed with an external PC web browser. All of the viewable web pages are stored in the BDA. The BDA communicates to the ETU through a front connected ribbon-cable. The PC accesses the BDA through an integral DB-9 serial port or an RJ45 Ethernet port.

All three converters require a 24VDC Class 2 power supply. See External Accessories for more information on available power supplies.

# WL Circuit Breaker

## Electronic Trip Unit (ETU)

*Selection*

### Power metering function

In addition to excellent protection capabilities, the WL ETU has unparalleled power metering functionality. True RMS current sensing for metering is obtained from the same current sensors used for overload protection. ETU power metering can measure the following:

Measured Value	Value Range	Accuracy
Currents Ia, Ib, Ic, In	30 ... 8000A	± 1%
Ground-fault current Ig (measure with external Gnd transformer)	100 ... 1200A	± 5%
Line-to-line voltages Vab, Vbc, Vca	80 ... 120% Vn	± 1%
Line-to-neutral voltages Van, Vbn, Vcn	80 ... 120% Vn	± 1%
Average value of phase-to-phase voltages V L-L AVG	80 ... 120% Vn	± 1%
Apparent power kVA per phase	13 ... 8000kVA	± 2%
Total apparent power KVA	13 ... 24000kVA	± 2%
Active power kW per phase	-8000 ... 8000kW	± 3% (power factor > 0.6)
Total active power kW total	-24000 ... 24000kVA	± 3% (power factor > 0.6)
Reactive power kvar	-6400 ... 6400kvar	± 4% (power factor > 0.6)
Total reactive power kvar	-20000 ... 20000kvar	± 4% (power factor > 0.6)
Power factor per phase	-0.6 ... 1 ... 0.6	± 0.04
Power factor total	-0.6 ... 1 ... 0.6	± 0.04
Demand of currents Ia, Ib, Ic	30 ... 8000A	± 1%
Average demand of 3-phase current	30 ... 8000A	± 1%
Demand kWD per phase	13 ... 8000kW	± 3% (power factor > 0.6)
kW demand 3-phase active power kWD total	13 ... 8000kW	± 3% (power factor > 0.6)
kVA demand kVA total	13 ... 8000kVA	± 2%
kVAR demand kVAR per phase	13 ... 8000kVA	± 2%
kVAR demand total	-24000 ... 24000kvar	± 4% (power factor > 0.6)
kWhr imported	1 ... 10000MWh	± 2%
kWhr exported	1 ... 10000MWh	± 2%
kVARh imported	1 ... 10000Mvarh	± 4%
kVARh exported	1 ... 10000Mvarh	± 4%
Frequency	15 ... 440 Hz	± 0.1 Hz
Total harmonic distortions for current and voltage	2 ... 100%	± 3% from the meas. range up to the 29th harmonic
Phase unbalance for current and voltage	2 ... 150%	± 1%

Potential transformers (PTs) are required to step down the supply voltage to a level that is suitable for local input connection to the breaker. PTs must be wired to the secondary connections of the breaker and configured for three-phase, three-wire or three-phase, four-wire supply system. The measured values can be sent to a central database for future power analysis or consumption reports.

Metering is not field installable – it must be configured in the initial breaker purchase.

### Event log

The event log is very extensive. Information regarding the list of events can be found in the WL operation manual or communication guide. Some of the event log categories are:

- Warnings
- Trip Logs
- Set-points
- Maintenance Detail
- CubicleBus Conditions
- Waveform Displays

# WL Circuit Breaker

## Electronic Trip Unit (ETU)

*Selection*

### Alarm Parameters

The metering function includes the following alarm set-point functions:

Alarm Function	Setting Range	Possible Delay
Overcurrent	3 ... 10000A	0 ... 255s
Overcurrent – ground fault	3 ... 10000A	0 ... 255s
Overcurrent – N-conductor	3 ... 10000A	0 ... 255s
Phase unbalance – current	5 ... 50%	0 ... 255s
Demand – current	3 ... 10000A	0 ... 255s
Total harmonic distortion – current	0 ... 50%	5 ... 255s
Undervoltage	100...1200V	0 ... 255s
Overvoltage	200...1200V	0 ... 255s
Phase unbalance – voltage	5 ... 50%	0 ... 255s
Total harmonic distortion – voltage	0 ... 50%	5 ... 255s
Crest factor	0.01 ... 25.5%	0 ... 255s
Form factor	0.01 ... 25.5%	0 ... 255s
Active power in normal direction	1 ... 10000kW	0 ... 255s
Active power in reverse direction	1 ... 10000kW	0 ... 255s
Leading power factor	-0.999 ... 1	0 ... 255s
Lagging power factor	-0.999 ... 1	0 ... 255s
Demand – active power	1 ... 10000kW	0 ... 255s
Apparent power	1 ... 10000kVA	0 ... 255s
Reactive power in normal direction	1 ... 10000kvar	0 ... 255s
Reactive power in reverse direction	1 ... 10000kvar	0 ... 255s
Demand – apparent power	1 ... 10000kVA	0 ... 255s
Demand – reactive power	1 ... 10000kvar	0 ... 255s
Under frequency	40 ... 70Hz	0 ... 255s
Over frequency	40 ... 70Hz	0 ... 255s

### Extended Relaying

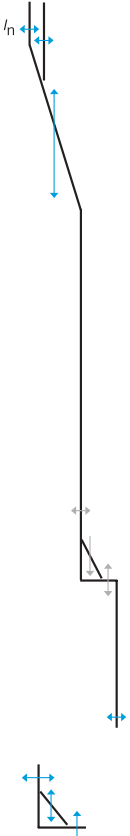
Protective relays included with the metering function can monitor the following criteria and initiate a trip if the values are exceeded.

Protective Relay Function	ANSI Device Number	Setting Range	Possible Delay
Current unbalance	46	5 ... 50%	1 ... 15s
Total harmonic distortion - current	81 THDC	0 ... 50%	5 ... 15s
Voltage unbalance	47	5 ... 50%	1 ... 15s
Undervoltage	27	100 ... 1100V	1 ... 15s
Overvoltage	59	200 ... 1200V	1 ... 15s
Total harmonic distortion - voltage	81 THDV	0 ... 50%	5 ... 15s
Direction of phase rotation	47N	–	–
Active power in normal direction	32	1 ... 10000kW	1 ... 15s
Active power in reverse direction	32R	1 ... 10000kW	1 ... 15s
Under frequency	81U	40 ... 70Hz	1 ... 15s
Over frequency	81O	40 ... 70Hz	1 ... 15s

# WL Circuit Breaker

## ETU Function

## Overview

Basic Functions		ETU745
	<b>Long-time overcurrent protection</b>	✓
	Function can be disabled	–
	Setting range $I_R = I_n \times \dots$	0.4, 0.45, 0.5, 0.55, 0.6, 0.65, 0.7, 0.8, 0.9, 1
	Switch-selectable overload protection ( $I^2t$ or $I^4t$ dependent function)	✓
	Setting range of time delay class $t_R$ at $I^2t$ (seconds)	✓
	Setting range of time delay $t_R$ at $I^4t$ (seconds)	2, 3.5, 5.5, 8, 10, 14, 17, 21, 25, 30
	Thermal memory	✓
	Phase loss sensitivity	Set $t_{sd} = 20$ ms (M)
<b>Neutral protection</b>	✓	
Function can be disabled	✓ (via slide switch)	
N-conductor setting range $I_N = I_n \times \dots$	0.5 ... 1	
<b>Short-time overcurrent protection</b>	✓	
Function can be disabled	✓ (via rotary switch)	
Setting range $I_{sd} = I_n \times \dots$	0.02 (M), 0.1, 0.2, 0.3, 0.4, OFF	
Setting range of time delay $t_{sd}$ , fixed (constant time in seconds)	0.02 (M), 0.1, 0.2, 0.3, 0.4, OFF	
Setting range of time delay $I_{sd}$ at $I^2t$ (seconds)	0.1, 0.2, 0.3, 0.4	
Zone Selective Interlocking (ZSI) function	Per CubicleBUS module	
<b>Instantaneous overcurrent protection</b>	✓	
Function can be disabled	✓	
Extended Instantaneous Protection	Instantaneous is active when disabled	
Setting range $I_I = I_n \times \dots$	1.5, 2.2, 3, 4, 6, 8, 10, 12, $0.8 \times I_{cw} = \text{Max.}$	
<b>Ground fault protection<sup>ⓐ</sup></b>	○ (field installable module)	
Trip and alarm function	✓	
Detection of the ground fault current by residual summing method	✓	
Detection of the ground fault current by direct sensing method	✓	
<b>G</b> Setting range of the $I_g$ for trip	A, B, C, D, E (100 ... 1200A)	
Setting range of the $I_g$ for alarm	A, B, C, D, E (100 ... 1200A)	
Setting range of the time delay $t_g$ (fixed seconds)	0.1, 0.2, 0.3, 0.4, 0.5	
Setting range time delay $t_g$ at $I^2t$	0.4, 0., 0.3, 0.4, 0.5	
ZSI ground function	Per CubicleBUS module	

ⓐ Extended Instantaneous Protection (EIP) allows the WL breaker to be applied at the withstand rating of the breaker with minus 0% tolerance; that means no instantaneous override whatsoever. EIP further enables the circuit breaker to be applied up to the full instantaneous rating of the breaker on systems where the available fault current exceeds the withstand rating.  
 ⓑ Ground Fault Module cannot be removed after installation.

✓ Available  
 – Not available  
 ○ Optional

# WL Circuit Breaker

## ETU Function

## Overview

Basic Functions		ETU748	ETU776
	<b>Long-time overcurrent protection</b>	✓	✓
	Function can be disabled	–	–
	Setting range $I_R = I_n \times \dots$	0.4, 0.45, 0.5, 0.55, 0.6, 0.65, 0.7, 0.8, 0.9, 1	40-100% of $I_n$ (Adjustable in Amps <sup>①</sup> )
	Switch-selectable overload protection ( $I^2t$ or $I^4t$ dependent function)	✓	✓
	Setting range of time delay class $t_R$ at $I^2t$ (seconds)	2, 3.5, 5.5, 8, 10, 14, 17, 21, 25, 30	2...30 (step; 0.1s)
	Setting range of time delay $t_R$ at $I^4t$ (seconds)	1, 2, 3, 4, 5	1...5 (step; 0.1s)
	Thermal memory	✓ (via slide switch)	✓ (on/off via keypad or communications)
	Phase loss sensitivity	at $t_{sd} = 20$ ms (M)	✓ (on/off via keypad or communications)
	<b>Neutral protection</b>	✓ (via slide switch)	✓
	Function can be disabled	0.5 ... 1 OFF	✓ (on/off via keypad or communications)
N-conductor setting range $I_N = I_n \times \dots$	✓	0.5 ... 2 OFF	
	<b>Short-time overcurrent protection</b>	✓ (via rotary switch)	✓
	Function can be switched ON/OFF	1.25, 1.5, 2, 2.5, 3, 4, 6, 8, 10, 12	✓ (on/off via keypad or communications)
	Setting range $I_{sd} = I_n \times \dots$	✓ (via rotary switch)	1.25... 0.9 x $I_{cw} = \text{max.}$ (step: 10A)
	Setting range of time delay $t_{sd}$ , fixed (seconds)	M, 0.1, 0.2, 0.3, 0.4	M, 0.08... 0.4, OFF (step: 0.001s)
	Switch-selectable short-time delay short-circuit protection ( $I^2t$ dependent function)	✓ (via rotary switch)	✓ (via keypad or communications)
	Setting range of time delay $I_{sd}$ at $I^2t$ (seconds)	0.1, 0.2, 0.3, 0.4	0.1... 0.4 (step 0.001s)
	Zone Selective Interlocking (ZSI) function	per CubicleBUS module	Per CubicleBUS module
	<b>Instantaneous overcurrent protection<sup>②</sup></b>	✓	✓
	Function can be disabled, Extended Instantaneous Protection is enabled when OFF	–	✓ (via keypad or communications)
	Setting range $I_i = I_n \times \dots$	$I_i = I_{cw} = \text{EIP}$	1.5 ... 0.8 x $I_{cs} = \text{Max OFF} = I_{cw} = \text{EIP}$
	<b>Ground fault protection<sup>③</sup></b>	○ (field installable module)	○ (field installable module)
	Trip and alarm function	✓	✓
	Detection of the ground fault current by residual summing method	✓	✓
	Detection of the ground fault current by direct sensing method	✓	✓
	Setting range of the $I_g$ for trip	A, B, C, D, E	A... E (step: 1A)
	Setting range of the $I_g$ for alarm	A, B, C, D, E	A... E (step: 1A)
	Setting range of the time delay $t_g$ (seconds)	0.1, 0.2, 0.3, 0.4, 0.5	0.1...0.5 (step: 0.001s)
	Switch-selectable ground fault protection ( $I^2t$ / fixed)	✓	✓
	Setting range time delay $t_g$ at $I^2t$	0.1, 0.2, 0.3, 0.4, 0.5	0.1...0.5 (step: 0.001s)
ZSI Ground Function	Per CubicleBUS module	Per CubicleBUS module	

① NOTE: ETU776 settings via WLBDA, Modbus, or Profibus: 1A steps  
Via ETU Keypad: Below 1000A: 10A steps  
1000A-1600A: 50A steps  
1600A-10000A: 100A steps  
Above 10000A, 1000A steps

② Extended Instantaneous Protection (EIP) allows the WL breaker to be applied at the withstand rating of the breaker with minus 0% tolerance; that means no instantaneous override whatsoever. EIP further enables the circuit breaker to be applied up to the full instantaneous rating of the breaker on systems where the available fault current exceeds the withstand rating.

③ Ground Fault Module cannot be removed after installation.

④ NOTE: M = indicates phase loss sensitivity is enabled. LT pick-up reduced 80% when phase unbalance > 50%. ST = 20 ms  
Key pad = Direct input at the trip unit.

✓ Available  
– Not available  
○ Optional

# WL Circuit Breaker

## Factory Installed Options<sup>①</sup>

## Characteristics

### Breaker Mounted Options

#### Ground Fault Module

The ground fault module (GFM) is used to detect current flowing through the grounding conductors which may present a hazardous condition. The module can be field installed but can't be removed once installed. Residual sensing by phase vector summation or direct sensing can be selected on the module or via the setup of the ETU776. Ground fault modules may be ordered as alarm only or as alarm and trip. Alarm will provide a visual and communication notification. Alarm and trip model will trip the breaker in addition to alarm notification.



#### Key Lock-out

To lock the WL breaker in the "Open" position, an optional key-lock can be installed in the breaker. The key cylinder and lock-out assembly are mounted in the breaker and accessible through a knockout in the breaker front cover. The key is removable only when the breaker is locked open. If a custom, coordinated key/cylinder is required, order the lock provision-only. The lock cylinder and matched key must then be ordered separately from the respective lock manufacturer.

The compatible Kirk cylinder lock part number is C-900-301. The compatible Superior cylinder lock part number is C-900.



#### Operation Counter

For monitoring the number of breaker operations (open and close) a numerical operations counter is available. This counter is only suitable for breakers equipped with the spring-charging motor option. The counter mounts to the motor assembly and will register manual and electrical breaker operations. Counter is non-resettable up to 100,000 operations. Counter ships with available pre-service operations for field setting to zero.



<sup>①</sup> See page 106 for field install part numbers.

#### Auxiliary Contacts

Auxiliary contacts can be used to provide interlocking control or remote indication of the breakers main contact position (open or closed breaker). The Normally Open (NO) contacts are open when the breakers main contacts are open. The Normally Closed (NC) contacts are closed when the breakers main contacts are open. The contacts are wired individually to the secondary disconnects for user connectivity. See breaker wiring diagram for supply terminal locations.



Available Contact Configurations		2NO and 2NC or 4NO and 4NC
AC Operation	Voltage	240VAC 50/60Hz
	Continuous Current	10A
	Making Current	30A
	Breaking Current	3A
DC Operation	Voltage	24, 125, 250V DC
	Continuous Current	5A
	Making Current	1.1A @ 24 or 125VDC, .55A @ 250VDC
	Breaking Current	1.1A @ 24 or 125VDC, .55A @ 250VDC

#### Breaker Status Sensor (BSS)

BSS is an integrated circuit device that measures the internal breaker temperature, monitors breaker main contact position (open or closed), bell alarm status, shunt trip status, breaker ready-to-close and closing spring charged status. All status conditions and information is transmitted through the CubicleBus network as real-time data. A COM16 (Modbus), COM15 (PROFIBUS) or a BDA (breaker display adapter) accessory can be used to export the BSS CubicleBus data to external computer or monitoring equipment. See breaker wiring diagram for supply terminal locations. Included with COM15 and COM16.



Operating Voltage	24V
Peak Inrush Current	110mA
Max. Continuous Current	40mA
Ambient Operation Temperature	-25 to 70°C

# WL Circuit Breaker

## Factory Installed Options<sup>①</sup>

## Characteristics

### Bell Alarm Contact and Reset Coil

The bell alarm contacts are mechanically activated by the trip unit solenoid. If a breaker trip condition occurs, the bell alarm form-C contacts will change state closing or opening a user circuit wired to the secondary terminal block. The contacts can be locally reset to their original position by manually resetting the breaker trip button or through the use of a reset coil that resets the contacts remotely. See breaker wiring diagram for supply terminal locations. Non-automatic (manual) reset trip units can not be used with the reset coil option.



### Breaker Push-Button Lock-outs

A finger or hand tool shroud option can be added to the breaker front cover to isolate the open and close buttons from unintentional use. Shrouds may be used in combination or like configuration.

To isolate the open and close buttons from unintentional use, transparent padlock covers can be installed in lieu of the shroud option. Two padlocks may be used with a latch diameter of 3/8 inch maximum (padlocks by others).



Available Contact Configurations	Coil Ratings	
Remote	Voltage	240VAC 50/60Hz
Reset Coil	Continuous Current	5A
	Making Current	8A
AC Operation	Breaking Current	5A
	Voltage	24, 48, 125 or 250VDC
Reset Coil	Continuous Current	5A
DC Operation	Making Current	0.4A @ 24, 48, 125VDC, 0.2A @ 250VDC
	Breaking Current	0.4A @ 24, 48, 125VDC, 0.2A @ 250VDC

### Close Coil

To remotely close the WL breaker, a close coil must be used with a momentary electrical source. Only one close coil can be used per breaker. Charging springs must be charged and breaker open prior to activating the close coil. See breaker wiring diagram for supply terminal location.



### Racking Handle Key Lock

A draw-out breaker can be key locked (optional) or padlocked (standard not shown) in three racking positions; connect, test or disconnect. Key lock cylinders are available in Kirk or Superior types and uniquely keyed.



Close Coil	120VAC Range	104 - 127VAC
	240VAC Range	208 - 254
AC Operation	Power Consumption	120W for 50ms (5% duty cycle)
	Breaker closing time	50ms from point of signal
	24V DC	14 - 28V DC
	48V DC	28 - 56V DC
Close Coil	125V DC	70 - 140VDC
DC Operation	250V DC	140 - 280VDC
	Power Consumption	120W for 50ms (5% duty cycle)
	Breaker closing time	50ms from point of signal

① See page 6-106 for field install part numbers.



# WL Circuit Breaker

## Factory Installed Options<sup>①</sup>

## Characteristics

### Spring Charging Handle Lock

An optional padlock provision to prevent manual charging of the closing springs can be installed on the breaker front cover. This provision does not prevent electric charging of the closing springs and the breaker can be mechanically closed if the closing spring is charged prior to padlocking the charging handle. One padlock may be used with a latch diameter of 3/8 inch maximum (padlock by others).



### Rating Plugs

The rating plug is required to limit the downstream load current. Use of a rating plug that exceeds the breaker frame rating will result in a trip unit error and will trip the breaker automatically. Rating plugs are field interchangeable.



### Ready-to-close Contact

In addition to the standard "ready-to-close" visual indicator on the WL breaker, an optional contact can be added to remotely monitor the ready-to-close conditions. Closing is ready if all of the following conditions are true:

- Closing spring-charged
- Breaker main contacts are open
- Mechanical lock-outs disabled
- Racking handle seated in stored position
- Electrical lock-outs disabled



Ready-to-close contact	Voltage	125-240VAC, 125 -250VDC
	Continuous current	3A
	Making current	0.4A @24-125VDC, 5A @120-240VAC
	Breaking current	0.2A @24-125VDC, 3A @120-240VAC

### Shunt Trip

The shunt trip opens the circuit breaker instantly when energized by a remote power source. An auxiliary contact is wired in series with the shunt trip to remove the current from the coil after the breaker is opened. Two shunt trip coils may be installed in a breaker if dual supply sources or control circuits are required. An optional status contact may be selected with the second shunt trip to provide a signaling condition that the shunt trip has been activated. Status contact not available with communication option. Status condition is sent via communication instead of contact.



Trip coil AC operation	120VAC range	104 - 127VAC
	240VAC range	208 - 254VAC
	Power consumption	120W for 50ms (5% duty cycle)
	Min. closing time	50ms from point of signal
Trip coil DC operation	24VDC range	14 - 28VDC
	48VDC range	28 - 56VDC
	125VDC range	70 - 140VDC
	250VDC range	140 - 280VDC
	Power consumption	120W for 50ms (5% duty cycle)
	Min. closing time	50ms from point of signal

### Shunt Trip (continuous duty)

The continuous duty shunt trip is available for 100% duty cycle and can hold the WL breaker open during an electrical or manual "close breaker" attempt (i.e. lock-out). The continuous duty trip may be used in conjunction with a standard shunt trip solenoid for dual control. Not available for use with UL1066 Listed breakers.



Shunt Trip (interlock coil)	120 - 240 VAC range	85 - 110% of nominal
	24 - 250VDC range	70 - 126% or nominal
	Power consumption	15W / 15VA
	Min. shunt trip actuation	60 ms
	Opening time of breaker	80 ms
	Smallest fuse protection rating	1A

<sup>①</sup> See page 6-85 for field install part numbers.

# WL Circuit Breaker

## Factory Installed Options<sup>①</sup>

## Characteristics

### Status Contact

A status contact is a mechanical switch that is suitable for monitoring an undervoltage trip or second shunt trip coil position. The contact will be wired to the secondary contacts of the breaker for customer connections or wired to the Breaker Status Sensor (BSS) if communications is installed on the breaker. Contact is 1NO configured.



Signaling contact	Voltage	127 - 240VAC, 24 - 125VDC
	Continuous current	3A
	Making current	1A @24 - 125DVC, 5A @120 - 240VAC
	Breaking current	1A @24 - 125DVC, 3A @120 - 240VAC

### Spring-charging Motor

The spring charging motor is used to automatically charge the breakers closing spring so the breaker is suitable for closing on command. Motor charging is typically used for remote breaker operation or as an alternative to local manual charging. The motor assembly can be easily installed in the field and includes an automatic cut-off switch which disconnects the current upon full charge of the closing spring mechanism.



Spring-charging motor	120 - 240VAC range	85 -110% of nominal
	24 - 240VDC range	70 - 126% of nominal
	Power consumption	110W
	Max. charging time	10 seconds
	Fuse protection rating	24-60V 6A, 120-240V 3A (slow-blow)

### Undervoltage Release

In the event of loss or low level control circuit voltage, an undervoltage release may be used to automatically open the circuit breaker. To prevent nuisance breaker openings from temporary voltage dips, a separate adjustable time-delay undervoltage release is also available.



Under-voltage release UVR	Operating values	85 - 110% breaker can be closed, 35 - 70% breaker will open
	120 - 240VAC Coil voltage tolerance 24 - 250VDC	85 - 110% of nominal
	Coil voltage tolerance	85 - 126% of nominal
	Supply voltage	120, 240VAC or 24, 48, 125, 250VDC
	Power consumption	200VA inrush/ 5VA continuous (same in Watts for DC)
	Opening time of breaker	200 ms
	UVR w/o time delay (dual setting)	80 ms or 200ms
	UVR with time delay (adjustable delay)	0.2 to 3.2 sec.

<sup>①</sup> See page 6-106 for field install part numbers.

# WL Circuit Breaker

## Factory Installed Options<sup>①</sup>

The following items are available for WL cradles. Items are described to highlight the functional characteristics of these factory installed cradle options.

### Secondary disconnects

Secondary disconnects are used to interconnect external breaker control and signaling circuitry to the WL breakers factory wired circuitry. Three types of external connection terminals are available. 1. Screw connection, 2. Tension spring connection and, 3. Ring lug connection. **Tension spring connection terminals are standard for fixed mounted breakers.**



	Wire connection type	Number of wires and sizes
Secondary disconnects	Screw compression	1 x 14AWG or 2 x 16AWG
	Tension spring compression	2 x 14AWG
	Ring lug terminal	2 x 14AWG or 2 x 16AWG

### Isolation Shutters

When removing a draw-out breaker from its connected position the primary contacts become exposed and more accessible to personnel in the breaker compartment. Isolation shutters reduce that accessibility to the primary terminals by automatically closing the access ports to the primary terminals whenever the breaker is disconnected or withdrawn. After removal of the breaker from its compartment, the shutters may be padlocked to inhibit manual shutter opening while breaker is not in the compartment.



## Characteristics

### PROFIBUS or MODBUS Communication

PROFIBUS or MODBUS communication requires a COM15 or COM16 converter to transmit WL breaker data to external PCs or PLC monitoring systems. External communication connection to either module is through a DB-9F connector.



Operating voltage	24VDC
Peak inrush current	280mA
Max. continuous current	125mA
Ambient temperature	-25 to 70°C

### Dual Key Breaker Locking

For draw-out breakers, a cradle-mounted breaker lockout device can be installed with either one or two independent key cylinders. The key is removable only when the breaker is locked open. Cradle-mounted key locks are commonly utilized for interlocking in open transition schemes, where paralleling certain sources is not desirable. Siemens offers the choice of unique, uncoordinated, Kirk and Superior key lock types. If a custom, coordinated key/cylinder is required, order the lock provision-only. The lock cylinder and matched key must then be ordered separately from the respective lock manufacturer.

The compatible Kirk cylinder lock part number is C-900-301. The compatible Superior cylinder lock part number is C-900.



<sup>①</sup> See page 6-106 for field install part numbers.

# WL Circuit Breaker

## Cradle Factory Installed Options<sup>①</sup>

## Characteristics

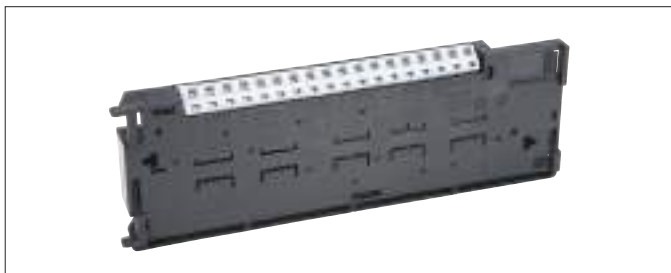
### Arc Chute Cover

The arc chute cover is available for isolating enclosure material or parts located above the circuit breaker where heat and exhaust gases may exit from the breakers arc chutes. Arc chute covers are not available for fixed mounted breakers and limited to select draw-out breaker types.



### TOC (Truck Operated Contacts)

For draw-out breaker applications a TOC device is available to provide remote indication of the circuit breakers primary and secondary contact connections (racking positions). When the breaker is racked into a connected, test or disconnected position, it activates TOC switches for external user circuits.



### MOC (Mechanism Operated Contacts)

Mechanism Operated Contacts (MOC) are a cradle mounted accessory which indicate the state of the breaker's internal contacts (open or closed). MOCs are typically utilized when additional auxiliary contacts are necessary – above and beyond the number configurable in the circuit breaker – although they may also be used in lieu of the internal auxiliary switches. Each MOC assembly includes 4 'a' and 4 'b' contacts. Two different MOC assemblies are available. One version operates when the circuit breaker is in both the "TEST" and "CONNECTED" positions, and the other version operates only when the circuit breaker is in the "CONNECTED" position.

#### Note per ANSI C37.100:

'a' contact: a contact that is open when the main device is in the standard reference position and that is closed when the device is in the opposite position.

'b' contact: a contact that is closed when the main device is in the standard reference position and that is open when the device is in the opposite position.



MOC Contact Configurations	4NO and 4NC	
	AC Operation	Voltage
Continuous current		10A
Making current		30A
Breaking current		3A
DC Operation	Voltage	24, 125, 250VDC
	Making current	1.1A @ 125VDC, 0.55A @ 250VDC
	Breaking current	1.1A @ 125V DC, 0.55A @250VDC

TOC Switch	Breaker disconnected = Primary and secondary contacts are disconnected	Breaker in test = Primary contacts disconnected and secondary contacts are connected	Breaker connected = Primary and secondary contacts are connected
Option 1	1 form C contacts	1 form C contacts	1 form C contacts
Option 2	1 form C contacts	2 form C contacts	3 form C contacts
Option 3	0 form C contacts	0 form C contacts	6 form C contacts
	TOC Contact Ratings	AC Voltage	120, 240VAC
		AC Continuous Current	10A
		AC Making/Breaking Current	6A@120V, 3A@240VAC
		DC Voltage	24, 48, 125, 250VDC
		DC Continuous Current	6A, 1A, 1A
		DC Making/Breaking Current	6A, 0.22A, 0.11A

① See page 6-106 for field install part numbers.

# WL Circuit Breaker

## Accessories

*Selection*

### Communication Power Supplies

For WL devices that require a 24VDC input we offer the Siemens SITOP power supply. The SITOP power supply is a class 2 rated devices suitable for supporting loads of 2.5 or 3.8 amps. DIN rail mounting provision and compression wire connections included. For loads of 2.5A maximum order part number **WLSITOP25** or **WLSITOP1** for 3.8A maximum loads.



### Handheld Test Device

To test the WL breakers ETU trip functions we offer a handheld tester that checks:

- Sensor continuity
- Long-time function
- Short-time function
- Instantaneous function
- Neutral and ground fault function

During a test, the device will electrically trip the circuit breaker performing a full function test of the ETU and the trip actuator. Cables for 120VAC power supply and ETU connection is included with the tester. Order part number **WLTS**



### Breaker Data Adapter PLUS

The BDAP can be used to read or modify the breaker ETU and Cubiclebus parameters using a laptop, pocket PC or remote desktop PC. Circuit breakers can be parameterized individually using one BDA with similar or different parameters. No software is required as the embedded software interface is through a PC browser. Connectivity to a PC or network can be serial (RS232) or Ethernet (TCP/IP) address. If the breaker ETU is energized with 24VDC control power the BDA can be powered through the interconnecting ribbon cable. Order part number **WLBDAP**.



### Mechanical Breaker Interlocks

Mechanical interlock options are available for fixed or draw-out breakers. Interlocking is managed through cable connections between two or three breakers less than 6 meters apart. Lock kit includes 2.0 meter interlocking cable and mechanism for mounting to a single breaker.

For fixed breaker frame size 1, Cat. No. **WLNTLKF1**

For fixed breaker frame size 2 or 3, Cat. No. **WLNTLKF23**

For draw-out breaker frame size 1, 2, or 3, Cat. No. **WLNTLK**



### Alternate Cable Lengths

Length	Catalogue Number
3.0 meter	<b>WLNTLWRE3</b>
4.5 meter	<b>WLNTLWRE4</b>
6.0 meter	<b>WLNTLWRE5</b>



# WL Circuit Breaker

## Accessories

*Selection*

### Metering Current Transformer 3-phase Window

(cradle mounting only)

For draw-out breaker applications, a three phase metering CT is available. Termination screws are integral to the mold for point-to-point wiring without the use of terminal blocks or wire couplers. Metering ratios range from 800:5 to 5000:5. CTs include mounting hardware.



### Metering current transformer – Single Phase

A single piece housing that is compact and designed to fit around phase or neutral bussing. Termination screws are integral to the mold for point-to-point wiring without the use of terminal blocks or wire couplers. Metering ratios range from 800:5 to 5000:5.



#### For Frame Size 1 and 2

Rating	Catalogue Number
800:5	WLG8005MCT2
1200:5	WLG12005MCT2
1600:5	WLG16005MCT2
2000:5	WLG20005MCT2
2500:5	WLG25005MCT2
3200:5	WLG32005MCT2

#### For Frame Size 3

Rating	Catalogue Number
3200:5	WLG32005MCT3
4000:5	WLG40005MCT3
5000:5	WLG50005MCT3

### 4W Modified Differential Ground Fault (MDGF)

For MDGF draw-out breaker applications, a three phase iron-core CT is available. The MDGF CTs are physically the same as the above metering CTs but the current ratio is 1200:1.

For frame size 2, breakers catalogue number:  
1200:1 rating **WLGMDGFCT2** Phase CT

For frame size 3, breakers catalogue number:  
1200:1 rating **WLGMDGFCT3** Phase CT

For frame size 2 and 3, neutral CT catalogue number:  
1200:1 rating **WLGNMDGCT23** Neutral CT

A typical application for modified differential ground fault is 'Main-Tie-Main' where all breakers require 3 Phase CTs and a neutral CT.

#### For Frame Size 1, 2 or 3

Rating	Catalogue Number
800:5	WLG800NMCT23
1200:5	WLG1200NMCT23
1600:5	WLG1600NMCT23
2000:5	WLG2000NMCT23
2500:5	WLG2500NMCT23
3000:5	WLG3000NMCT23
3200:5	WLG3200NMCT23
4000:5	WLG4000NMCT23
5000:5	WLG5000NMCT23

### Neutral Current Sensor – 4-wire Residual Ground Fault

For 4-wire residual ground fault protection we offer neutral current sensors with or without bus bar coupling. The sensors are comparable to the sensors used within the breaker and connected to the ETU. This sensor must also be wired to the ETU through designated secondary disconnects on the breaker.

Without copper bus adapters:

- 3" max bus bar width catalogue number **WLNCT2**
- 3 - 5" bus bar width catalogue number **WLNCT3**

With copper bus adapters:

- 3" max bus bar width catalogue number **WLNCT2CB**
- 3 - 5" bus bar width catalogue number **WLNCT3CB**



# WL Circuit Breaker

## Accessories

*Selection*

### Breaker Door Cover

A transparent hinged door cover is available to provide IP55 protection. Provision for padlocking included. Fits frame size 2 and 3 breakers. Catalogue number: **WLPGC**



### Door Sealing Frame

For openings around the door cutout of the breaker, this rubber door trim is available. For frame size 2 and 3 breakers only. Catalogue number: **WLDSF**



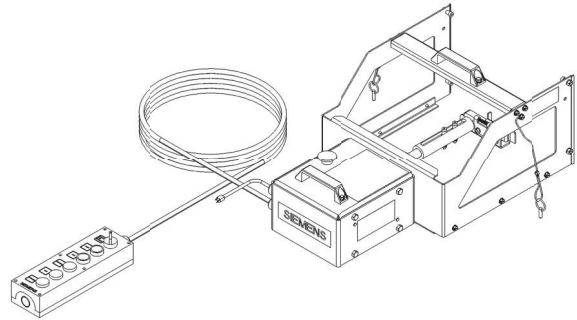
### Breaker Lifting

The breaker lifting yolk is designed to transport the WL breaker when using a hoist or other lifting equipment. The device is expandable to conform to all three WL frame sizes and easily attaches to specified lift points on the breaker. Catalogue number: **WLLFT**



### Remote Breaker Racking Device

Provides the ability to safely rack WL breakers into the Connect, Test and Disconnect positions from 30 feet away from the breaker, allowing the operator to be outside the arc flash boundary which provides additional personnel protection. Catalogue number: **WLRBRD**



### Door Bracket Kit, Remote Breaker Racking Device

In order to mount the remote breaker racking device on existing gear, this retrofit door bracket kit and the WLRBRDTEMPL must be ordered. Catalogue number: **WLRBRDKIT**

Remote Breaker Racking Device Door Bracket Install Template  
In order to mount the remote breaker racking device on existing gear, this mounting template and the WLRBRDKIT must be ordered. Catalogue number: **WLRBRDTEMPL**

### Breaker Hoist

This device acts as a hoist for the WL breaker, allowing it to be carried using a forklift or similar device. Catalogue number: **WLHOIST**





# WL Circuit Breaker

## Accessories

*Selection*

### CubicleBUS Modules

External CubicleBUS modules enable the WL Circuit Breaker a way to interface with external switchgear controls or building management systems. They can be used, for example, to activate analog displays or devices, transmit circuit breaker status and cause of trip, or read external device control signals. One module is suitable for zone-selective interlocking main and branch breakers.

Three different CubicleBUS modules can output data from the CubicleBUS system (two digital output modules and one analog output module). A digital input module can transmit data from the switchgear or system to a PROFIBUS/MODBUS master device like a power meters or logic controllers.

**Digital Output Module with Rotary Switch** – The digital output module can be used to output six events. These events can be warnings or trips and can be used for external annunciation or control. The load shedding and load restoring signals can enable a load to be switched ON or OFF automatically. Voltages of up to 250V AC/DC are possible. The relay contacts are isolated.

Relay Digital Output Module: Catalogue number **WLRLYCUB**



### Digital Input Module

The digital input module enables up to six additional binary signals (24V DC) to be connected. Signals, such as breaker status, arc-flash current reduction, over-temperature conditions or control circuit status switchgear, can be transmitted directly to the power monitoring network.

A total of 6 inputs are available in the “BUS Input” Switch position. Six inputs are also available if the rotary switch is in the “Parameter Switch” position, although the first input causes the active parameter set to change. If the connected ETU does not have two parameter set capability (e.g. ETU745 or ETU748), this input can also be used without any restrictions.

Digital Input Module: Catalogue number: **WLDGNCUB**



### ZSI Module

To use the ZSI function with the WL Circuit Breaker, the external CubicleBUS ZSI module must be implemented. The zone selective interlocking (ZSI) module provides the complete range of selectivity with the short delay time of  $t_{ZSI} = 50$  ms, irrespective of the number of levels and the location of the short-circuit in a distribution system. Its benefits become even more apparent, the higher the number of levels in large systems and the longer the resulting delay times. By shortening the time, the ZSI module significantly reduces stress and damage in the event of a short-circuit in the switchgear.

Zone Selective Interlocking Module: Catalogue number **WLZSIMD**



### Analog Output Module

The analog output module can be used to output the most important measured values sent via the CubicleBUS to analog indicators (e.g. analog meters) in the switchgear cubicle door. Each analog output module has four channels for this purpose. The signals are available at two physical interfaces: a 4 ... 20mA and a 0 ... 10V interface.

Analog Output Module: Catalogue number **WLANLGCUB**



### Pre-assembled CubicleBUS Communication Cables

(RJ45-M connections)

Description	Catalogue Number
1 meter length	<b>WLCBUSCABLE1</b>
2 meter length	<b>WLCBUSCABLE2</b>
4 meter length	<b>WLCBUSCABLE4</b>
9 meter length	<b>WLCBUSCABLE9</b>

# WL Circuit Breaker

## Accessories

*Selection*

### Fixed-mounted Breaker Front Bus Connectors

Front connector bus kits are available for adapting WL breaker primary mounting stabs to a standard NEMA bussing and bolt-hole pattern. NEMA bolt connection is accessible from the front of the breaker for ease of installation or removal of breaker inside an enclosure. Kit includes the required bus and hardware for mounting one 3-pole set of adapters to a breaker.

Description	Catalogue Number
Frame size 1, 1200A frame, 85 kAIC at 480V	<b>WLH1F12CONUL</b>
Frame size 2, 1600A frame, 100kAIC at 480V	<b>WLL2F16CONUL</b>
Frame size 2, 2000A frame, 100kAIC at 480V	<b>WLL2F20CONUL</b>
Frame size 2, 2500A frame, 100kAIC at 480V	<b>WLL2F25CONUL</b>
Frame size 2, 3000A frame, 100kAIC at 480V	<b>WLL2F30CONUL</b>
Frame size 3, 4000 to 5000A frame, 100kAIC at 480V	<b>WLL3F50CONUL</b>

Mechanical lug connector kits are available for connecting 800 to 2000A WL front connector bus kits (sold separately) to power cables.

Description	Catalogue Number
Frame size 1, 1200A max, 65 kAIC at 480V	<b>WLS2P12CONUL</b>
Frame size 2, 1600 to 2000A max, 65kA 65 kAIC at 480V	<b>WLS2P20CONUL</b>

Fixed mounted breaker rear bus connector kits are available for adapting WL breaker primary mounting stabs to a standard NEMA bussing and bolt-hole pattern. Adapters also rotate the primary breaker connections by 90° for vertical bus arrangement. Bolted connections are accessible from the rear of the breaker. Kit includes the required bus and hardware for mounting one 3-pole set of adapters to a breaker.

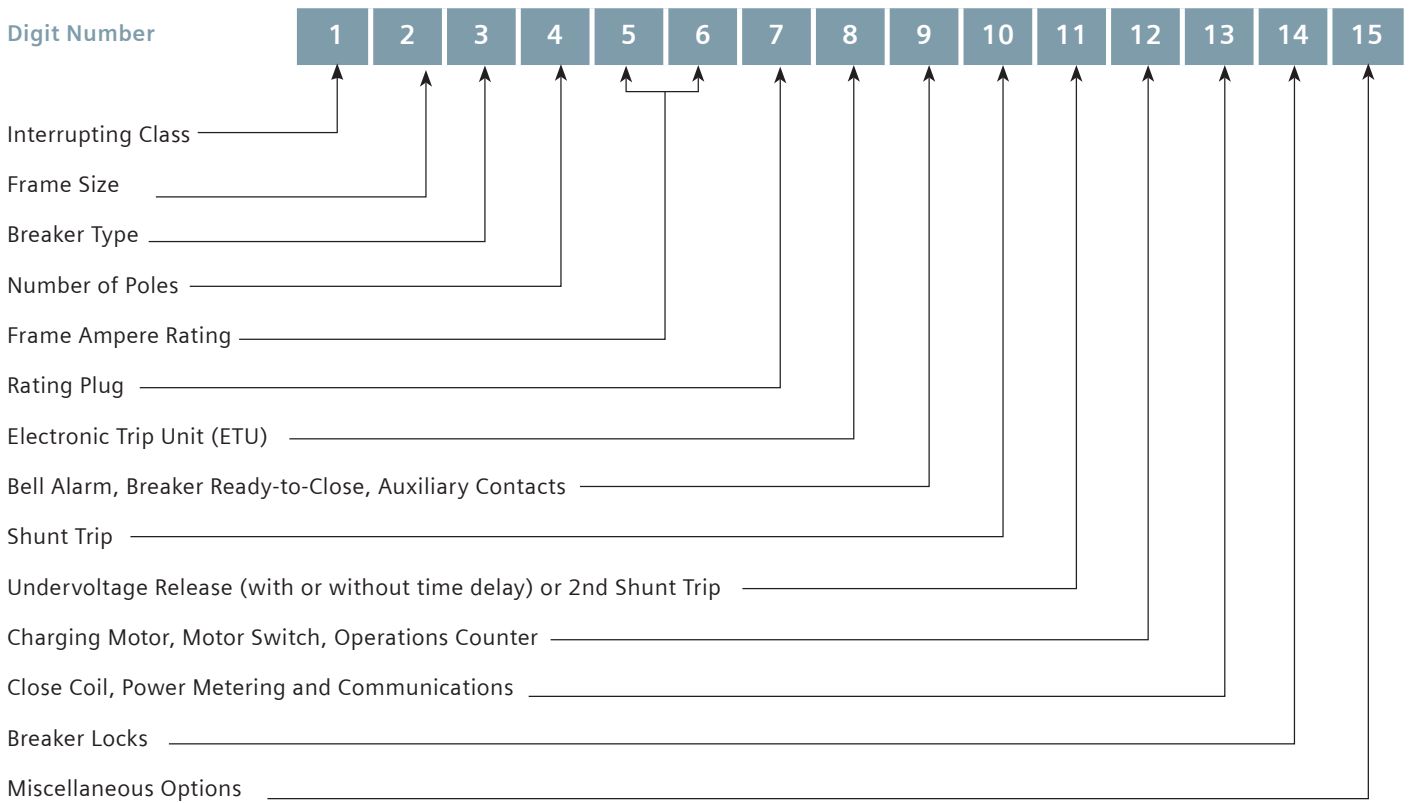
Description	Catalogue Number
Frame size 1, 1200A frame, 85 kAIC at 480V	<b>WLH1R12CONUL</b>
Frame size 2, 1600A frame, 100 kAIC at 480V	<b>WLL2R16CONUL</b>
Frame size 2, 2000A frame, 100 kAIC at 480V	<b>WLL2R20CONUL</b>
Frame size 2, 3000A frame, 100 kAIC at 480V	<b>WLL2R30CONUL</b>
Frame size 2, 800A to 3000A frame, 150 kAIC at 480V Rated Breaker Only	<b>WLC2R30CONUL</b>
Frame size 3, 4000A to 5000A frame, 100 kAIC at 480V	<b>WLC3R50CONUL</b>



# WL Circuit Breaker

## WL Catalogue Numbering

*Overview*



6

WL POWER  
CIRCUIT BREAKERS

# WL Insulated Case Circuit Breaker

## Ratings for UL489 Listed Breakers

*Selection*

WL frame ratings – frame size 1		800A			1200A			1600A			2000A		
Rating Class		S	H	L	S	H	L	S	H	L	S	H	L
Interrupting current frame Ics (kAIR RMS) 50/60 Hz	240VAC	65	85	100	65	85	100	65	85	100	65	85	100
	480VAC	65	85	100	65	85	100	65	85	100	65	85	100
	600VAC	65	65	65	65	65	65	65	65	65	65	65	65
Short-time current Icw (kA RMS)	0.4 sec.	65	65	65	65	65	65	65	65	65	65	65	65
Extended instantaneous protection rating (kA RMS)	480VAC	65	85	100	65	85	100	65	85	100	65	85	100
	600VAC	65	65	65	65	65	65	65	65	65	65	65	65
Close and latch rating (kA RMS)		65	65	65	65	65	65	65	65	65	65	65	65
Applicable rating plug range		200 - 800A			200 - 1200A			200 - 1600A			200 - 2000A		
Minimum enclosure dimension (in.)		22Wx15Hx19.5D			22Wx15Hx19.5D			22Wx15Hx19.5D			22Wx15Hx19.5D		
Mechanical make-time (ms)		35			35			35			35		
Mechanical break-time (ms)		34			34			34			34		
Electric close make-time (ms)		50			50			50			50		
Electric trip/ UV break-time (ms)		40/73			40/73			40/73			40/73		
Electric trip and reclose interval (ms)		80			80			80			80		
Mechanical duty cycles (no maint.)		7500			7500			7500			7500		
Electrical duty cycles (no maint.)		7500			7500			7500			7500		
Draw-out breaker efficiency (Watts loss at In)		80			180			350			530		
Fixed-mount breaker efficiency (Watts loss at In)		60			120			160			270		
Ambient operating temperature (°C)		-25 to 40			-25 to 40			-25 to 40			-25 to 40		
Weights (Fixed Breaker/DO Breaker/Cradle) lbs.		86/137/108			86/137/108			86/137/108			86/137/108		

WL frame ratings – frame size 2		800A			1200A			1600A			2000A			2500A		3000A	
Rating Class		S	L	C	S	L	C	S	L	C	S	L	C	L	C	L	C
Interrupting current frame Ics (kAIR RMS) 50/60 Hz	240VAC	65	100	150	65	100	150	65	100	150	65	100	150	100	150	100	150
	480VAC	65	100	150	65	100	150	65	100	150	65	100	150	100	150	100	150
	600VAC	65	85	100	65	85	100	65	85	100	65	85	100	85	100	85	100
Short-time current Icw (kA RMS)	0.4 sec.	65	85	100	65	85	100	65	85	100	65	85	100	85	100	85	100
Extended instantaneous protection rating (kA RMS)	480VAC	65	100	150	65	100	150	65	100	150	65	100	150	100	150	100	150
	600VAC	65	85	100	65	85	100	65	85	100	65	85	100	85	100	85	100
Close and latch rating (kA RMS)		65	85	100	65	85	100	65	85	100	65	85	100	85	100	85	100
Applicable rating plug range		200 - 800A			200 - 1200A			200 - 1600A			200 - 2000A			200 - 2500A		200 - 3000A	
Minimum enclosure dimension (in.)		22Wx22.5Hx19.5D			22Wx22.5Hx19.5D			22Wx22.5Hx19.5D			22Wx22.5Hx19.5D			22Wx22.5Hx19.5D		22Wx15Hx19.5D	
Mechanical make-time (ms)		35			35			35			35			35		35	
Mechanical break-time (ms)		34			34			34			34			34		34	
Electric close make-time (ms)		50			50			50			50			50		50	
Electric trip/ UV break-time (ms)		40/73			40/73			40/73			40/73			40/73		40/73	
Electric trip and reclose interval (ms)		80			80			80			80			80		80	
Mechanical duty cycles (no maint.)		10,000 (5000 for Class C)			10,000 (5000 for Class C)			10,000 (5000 for Class C)			10,000 (5000 for Class C)			10,000 (5000 for Class C)		10,000 (5000 for Class C)	
Electrical duty cycles (no maint.)		7500 (5000 for Class C)			7500 (5000 for Class C)			7500 (5000 for Class C)			4000			4000		4000	
Draw-out breaker efficiency (Watts loss at In)		85			150			320			500			680		1000	
Fixed-mount breaker efficiency (Watts loss at In)		40			80			120			230			320		480	
Ambient operating temperature (°C)		-25 to 40			-25 to 40			-25 to 40			-25 to 40			-25 to 40		-25 to 40	
Weights (Fixed Breaker/DO Breaker/Cradle) lbs.		124/159/112 148/220/163 (Class C)			124/159/112 148/220/163 (Class C)			124/159/112 148/220/163 (Class C)			130/177/128 148/220/163 (Class C)			130/177/128 148/220/163 (Class C)		130/177/128 148/220/163 (Class C)	

**NOTE:** Frame Size 1 H-Class only for switches

# WL Insulated Case Circuit Breaker

## Ratings for UL489 Listed Breakers

*Characteristics*

WL frame ratings – Frame size 3		4000A		5000A	
Rating Class		L	C	L	C
Interrupting current frame Ics (kAIR RMS) 50/60 Hz	240VAC	100	150	100	150
	480VAC	100	150	100	150
	600VAC	85	100	85	100
Short-time current Icw (kA RMS)	0.4 sec.	85	100	85	100
Extended instantaneous protection rating (kA RMS)	480VAC	100	150	100	150
	600VAC	85	100	85	100
Close and latch rating (kA RMS)		85	100	85	100
Applicable rating plug range		800 - 4000A		800 - 5000A	
Minimum enclosure dimension (in.)		32Wx22.5Hx19.5D		32Wx22.5Hx19.5D	
Mechanical make-time (ms)		35		35	
Mechanical break-time (ms)		34		34	
Electric close make-time (ms)		50		50	
Electric trip/ UV break-time (ms)		40/73		40/73	
Electric trip and reclose interval (ms)		80		80	
Mechanical duty cycles (no maint.)		5000		5000	
Electrical duty cycles (no maint.)		2000		2000	
Draw-out breaker efficiency (Watts loss at In)		1100		1100	
Fixed-mount breaker efficiency (Watts loss at In)		580		580	
Ambient operating temperature (°C)		-25 to 40		-25 to 40	
Weights (Fixed Breaker/DO Breaker/Cradle) lbs.		181/278/306		181/278/306	
		200/278/306		200/278/306	
		(Class C)		(Class C)	

## Ratings for UL489 Listed non-automatic switches

WL frame ratings		Frame size 1 800-1200 A	Frame size 2 800 - 3000A	Frame size 3 4000/5000A
Rating Class		H	L	L
Breaking capacity with external relay (kA RMS) 50/60 Hz, instantaneous trip	240VAC	85	100	100
	480VAC	85	100	100
	600VAC	65	85	85
Short-time current Icw (kA RMS)	0.4 sec.	65	85	85

# WL Insulated Case Circuit Breaker

UL 489 Listed Catalogue Number

*Selection*

Interrupting rating, frame size, breaker type and frame rating

Note: Cradle must be ordered separately for drawout breaker types (see page 36)

Breaker catalog number

Class	Interrupt rating (kA)		Frame Max ampere rating (A)	Frame size			Breaker type		Breaker catalog number														
	240VAC 480VAC	600VAC		1	2	3	Fixed mount	Drawout	1	2	3	4	5	6	7	8	9	10	11	12	13	14	15
S	65	65	800	X			X		S 1 F 3 0 8														
S	65	65	800		X		X		S 2 F 3 0 8														
S	65	65	800	X				X	S 1 D 3 0 8														
S	65	65	800		X			X	S 2 D 3 0 8														
S	65	65	1200	X			X		S 1 F 3 1 2														
S	65	65	1200		X		X		S 2 F 3 1 2														
S	65	65	1200	X				X	S 1 D 3 1 2														
S	65	65	1200		X			X	S 2 D 3 1 2														
S	65	65	1600	X			X		S 1 F 3 1 6														
S	65	65	1600		X		X		S 2 F 3 1 6														
S	65	65	1600	X				X	S 1 D 3 1 6														
S	65	65	1600		X		X		S 2 D 3 1 6														
S	65	65	2000	X			X		S 1 F 3 2 0														
S	65	65	2000		X		X		S 2 F 3 2 0														
S	65	65	2000	X				X	S 1 D 3 2 0														
S	65	65	2000		X			X	S 2 D 3 2 0														
L	100	65	800	X			X		L 1 F 3 0 8														
L	100	85	800		X		X		L 2 F 3 0 8														
L	100	65	800	X				X	L 1 D 3 0 8														
L	100	85	800		X			X	L 2 D 3 0 8														
L	100	65	1200	X			X		L 1 F 3 1 2														
L	100	85	1200		X		X		L 2 F 3 1 2														
L	100	65	1200	X				X	L 1 D 3 1 2														
L	100	85	1200		X			X	L 2 D 3 1 2														
L	100	65	1600	X			X		L 1 F 3 1 6														
L	100	85	1600		X		X		L 2 F 3 1 6														
L	100	65	1600	X				X	L 1 D 3 1 6														
L	100	85	1600		X			X	L 2 D 3 1 6														
L	100	65	2000	X			X		L 1 F 3 2 0														
L	100	85	2000		X		X		L 2 F 3 2 0														
L	100	65	2000	X				X	L 1 D 3 2 0														
L	100	85	2000		X			X	L 2 D 3 2 0														
L	100	85	2500		X		X		L 2 F 3 2 5														
L	100	85	2500		X			X	L 2 D 3 2 5														
L	100	85	3000		X		X		L 2 F 3 3 0														
L	100	85	3000		X			X	L 2 D 3 3 0														
L	100	85	4000			X	X		L 3 F 3 4 0														
L	100	85	4000			X		X	L 3 D 3 4 0														
L	100	85	5000			X	X		L 3 F 3 5 0														
L	100	85	5000			X		X	L 3 D 3 5 0														
C	150	100	800		X		X		C 2 F 3 0 8														
C	150	100	800		X			X	C 2 D 3 0 8														
C	150	100	1200		X		X		C 2 F 3 1 2														
C	150	100	1200		X			X	C 2 D 3 1 2														
C	150	100	1600		X		X		C 2 F 3 1 6														
C	150	100	1600		X			X	C 2 D 3 1 6														
C	150	100	2000		X		X		C 2 F 3 2 0														
C	150	100	2000		X			X	C 2 D 3 2 0														
C	150	100	2500		X		X		C 2 F 3 2 5														
C	150	100	2500		X			X	C 2 D 3 2 5														
C	150	100	3000		X		X		C 2 F 3 3 0														
C	150	100	3000		X			X	C 2 D 3 3 0														
C	150	100	4000			X	X		C 3 F 3 4 0														
C	150	100	4000			X		X	C 3 D 3 4 0														
C	150	100	5000			X	X		C 3 F 3 5 0														
C	150	100	5000			X		X	C 3 D 3 5 0														

# WL Insulated Case Circuit Breaker

UL 489 Listed Catalogue Number

*Selection*

Rating Plug				Breaker catalog number														
Maximum continuous current rating	For use with frame size			1	2	3	4	5	6	7	8	9	10	11	12	13	14	15
	1	2	3															
200	X	X									A							
225	X	X									B							
250	X	X									C							
300	X	X									D							
315	X	X									E							
350	X	X									F							
400	X	X									G							
450	X	X									H							
500	X	X									J							
600	X	X									K							
630	X	X									L							
700	X	X									M							
800	X	X	X								N							
1000	X	X	X								P							
1200	X	X	X								Q							
1250	X	X	X								R							
1600	X	X	X								T							
2000	X	X	X								U							
2500		X	X								V							
3000		X	X								W							
4000			X								Z							
5000			X								1							

## Electronic trip unit (ETU)<sup>1)</sup>

Trip unit models	Protective function			LCD display Alpha num.	Ground fault		
	L	S	I		Alarm	Trip	
ETU745	X	(X)	(X)				C
ETU745	X	(X)	(X)	X			D
ETU745	X	(X)	(X)		X		E
ETU745	X	(X)	(X)	X	X		F
ETU745	X	(X)	(X)		X	X	G
ETU745	X	(X)	(X)	X	X	X	H
ETU748	X	X					J
ETU748	X	X		X			K
ETU748	X	X			X		L
ETU748	X	X		X	X		N
ETU748	X	X			X	X	P
ETU748	X	X		X	X	X	Q
ETU776	X	(X)	(X)				V
ETU776	X	(X)	(X)		X		W
ETU776	X	(X)	(X)		X	X	Y

(X) Indicates function can be disabled by user

<sup>1)</sup> Neutral protection "N" is available as standard.



# WL Insulated Case Circuit Breaker

UL 489 Listed Catalogue Number

Selection

Bell alarm, breaker ready-to-close, auxiliary contacts

					Breaker catalog number														
					1	2	3	4	5	6	7	8	9	10	11	12	13	14	15
Bell alarm		Form C contacts	Breaker ready-to-close 1b contact	Breaker open/close auxiliary switches															
Remote reset coil voltage				2a + 2b	4a + 4b														
AC	DC					None													
														X					
		X												A					
			X											B					
					X									C					
						X								D					
		X	X									X		E					
		X			X									F					
		X				X						X		G					
			X		X									H					
			X		X							X		I					
		X	X		X									J					
		X	X									X		K					
	24	X												L					
	48	X												M					
120	125	X												N					
240	250	X												O					
	24	X	X											P					
	48	X	X											Q					
120	125	X	X											R					
240	250	X	X											S					
	24	X				X								T					
	48	X				X								U					
120	125	X				X								V					
240	250	X				X								W					
	24	X										X		Y					
	48	X										X		Z					
120	125	X										X		1					
240	250	X										X		2					
	24	X	X		X									3					
	48	X	X		X									4					
120	125	X	X		X									5					
240	250	X	X		X									6					
	24	X	X									X		7					
	48	X	X									X		8					
120	125	X	X									X		9					
240	250	X	X									X		0					

## Shunt trip

Operation voltage		Status contact	Continuous duty coil (electrical interlock)																	
AC	DC			None																
																				X
	24													A						
	48													B						
120	125													C						
240	250													D						
	24	X												E						
	48	X												F						
120	125	X												G						
240	250	X												H						
	24											X		J						
	48											X		K						
120	125											X		L						
240	250											X		M						
	24	X										X		N						
	48	X										X		P						
120	125	X										X		R						
240	250	X										X		S						

# WL Insulated Case Circuit Breaker

UL 489 Listed Catalogue Number

*Selection*

Undervoltage Release (with or without time delay) or 2nd Shunt Trip					Breaker catalog number																
Operation voltage		UVR without delay	UVR with delay	UVR status <sup>1</sup> contact (1NO)	2nd shunt trip	1	2	3	4	5	6	7	8	9	10	11	12	13	14	15	
AC	DC					X	X	X	X	X	X	X	X	X	X	X	X	X	X	X	X
					None												X				
	24	X															A				
	48	X															B				
120	125	X															C				
240	250	X															D				
	48		X														E				
120	125		X														F				
240	250		X														G				
	24				X												H				
	48				X												J				
120	125				X												K				
240	250				X												L				
	24	X		X													M				
	48	X		X													N				
120	125	X		X													P				
240	250	X		X													Q				
	48		X	X													R				
120	250		X	X													S				
240	250		X	X													T				

## Charging motor, motor switch, operations counter

Charging motor operation voltage		Motor cut-off switch	Operations counter	Breaker catalog number																	
AC	DC			X	X	X	X	X	X	X	X	X	X	X	X	X					
				None													X				
	24																A				
	48																B				
120	125																C				
240	250																D				
	24	X															E				
	48	X															F				
120	125	X															G				
240	250	X															H				
	24			X													J				
	48			X													K				
120	125			X													L				
240	250			X													M				
	24	X	X														N				
	48	X	X														P				
120	125	X	X														Q				
240	250	X	X														R				

<sup>①</sup> Status contact is only available when Communications is not installed on breaker. Signal is sent via communications in lieu of status contact.

# WL Insulated Case Circuit Breaker

UL 489 Listed Catalogue Number

Selection

Close coil, power metering and communications				Breaker catalog number															
				1	2	3	4	5	6	7	8	9	10	11	12	13	14	15	
Close coil operation voltage		Power metering capable	MODBUS <sup>2</sup>	PROFIBUS <sup>2</sup>	None												X		
AC	DC																		
	24																A		
	48																B		
120	125																C		
240	250																D		
			X														G		
				X													H		
	24		X														N		
	24			X													P		
	48		X														S		
	48			X													T		
120	125		X														W		
120	125			X													Y		
240	250		X														2		
240	250			X													3		
	24	X	X														Q		
	48	X	X														U		
120	125	X	X														Z		
240	250	X	X														4		
	24	X						X									R		
	48	X						X									V		
120	125	X						X									1		
240	250	X						X									5		
		X	X														L		
		X						X									M		
		X															F		
	24	X															6		
	48	X															7		
120	125	X															8		
240	250	X															9		

Breaker locks					
Key lock breaker OPEN position (lock type – KIRK) <sup>1</sup>	Key lock breaker OPEN position (lock type – SUPERIOR) <sup>1</sup>	Padlock provisions for OPEN and CLOSE push buttons <sup>2</sup>	Padlock provisions for charging handle <sup>2</sup>		
				None	X
X					A
		X			C
			X		E
	X				F
X		X			G
	X	X			J
X			X		S
	X		X		U
		X	X		V
X		X	X		W
	X	X	X		Z

Miscellaneous options			
Key lock breaker OPEN position (provision only) <sup>2</sup>	Manual trip reset ETU (Automatic trip reset is standard)		
		None	N
X			B
	X		C
X	X		D

<sup>1</sup> Custom key locks are not available and must be supplied by others. Order key lock provision if custom if keyed alike locks are required.

<sup>2</sup> Locks provided by others.

# WL Insulated Case Switch

## UL 489 Listed Non-automatic Catalogue Number

*Selection*

Breaking capacity, frame size, switch type and frame rating

Switch catalog number

Class	Breaking capacity (kA)		Frame Max ampere rating (A)	Frame size		Switch type		Switch catalog number														
	240VAC 480VAC	600VAC		2	3	Fixed mounted	drawout	1	2	3	4	5	6	7	8	9	10	11	12	13	14	15
L	100	85	1600	X		X		L	2	Y	3	1	6	S	S							
L	100	85	1600	X			X	L	2	Z	3	1	6	S	S							
L	100	85	2000	X		X		L	2	Y	3	2	0	S	S							
L	100	85	2000	X			X	L	2	Z	3	2	0	S	S							
L	100	85	2500	X		X		L	2	Y	3	2	5	S	S							
L	100	85	2500	X			X	L	2	Z	3	2	5	S	S							
L	100	85	3000	X		X		L	2	Y	3	3	0	S	S							
L	100	85	3000	X			X	L	2	Z	3	3	0	S	S							
L	100	85	4000		X	X		L	3	Y	3	4	0	S	S							
L	100	85	4000		X		X	L	3	Z	3	4	0	S	S							
L	100	85	5000		X	X		L	3	Y	3	5	0	S	S							
L	100	85	5000		X		X	L	3	Z	3	5	0	S	S							

Ready-to-close and auxiliary contacts

Ready-to-close 1 b contact	Breaker open/close auxiliary switches		
	2a + 2b	4a + 4b	
			None X
X			B
	X		C
		X	D
X	X		H
X		X	I

# WL Insulated Case Switch

UL 489 Listed Non-automatic Catalogue Number

Selection

Shunt trip				Switch catalog number															
Operation voltage		Status contact <sup>1</sup>	Shunt trip	Continuous duty rated (electrical interlock)	1	2	3	4	5	6	7	8	9	10	11	12	13	14	15
AC	DC																		
				None										X					
	24		X											A					
	48		X											B					
120	125		X											C					
240	250		X											D					
	24	X	X											E					
	48	X	X											F					
120	125	X	X											G					
240	250	X	X											H					
	24			X										J					
	48			X										K					
120	125			X										L					
240	250			X										M					
	24	X		X										N					
	48	X		X										P					
120	125	X		X										R					
240	250	X		X										S					

## Undervoltage release (with or without time delay) or 2nd shunt trip

Operation voltage		UVR without delay	UVR with delay	UVR status <sup>1</sup> contact (1NO)	2nd shunt trip															
AC	DC																			
					None															X
	24	X												A						
	48	X												B						
120	125	X												C						
240	250	X												D						
	48		X											E						
120	125		X											F						
240	250		X											G						
	24				X									H						
	48				X									J						
120	125				X									K						
240	250				X									L						
	24	X		X										M						
	48	X		X										N						
120	125	X		X										P						
240	250	X		X										Q						
	48		X	X										R						
120	250		X	X										S						
240	250		X	X										T						

<sup>1</sup> Status contact is only available when communication is not installed. Signal is sent via communications in lieu of status contact.

# WL Insulated Case Switch

UL 489 Listed Non-automatic Catalogue Number

*Selection*

## Charging motor, motor switch and operation counter

Switch catalog number

Charging motor operation voltage		Motor cut-off switch	Operations counter	Switch catalog number														
AC	DC			1	2	3	4	5	6	7	8	9	10	11	12	13	14	15
															X			
	24														A			
	48														B			
120	125														C			
240	250														D			
	24	X													E			
	48	X													F			
120	125	X													G			
240	250	X													H			
	24														J			
	48														X			
120	125														X			
240	250														X			
	24	X													X			
	48	X													X			
120	125	X													X			
240	250	X													X			

## Close coil, communications

Close coil operation voltage		Modbus <sup>1</sup>	PROFIBUS <sup>1</sup>	Switch catalog number														
AC	DC			1	2	3	4	5	6	7	8	9	10	11	12	13	14	15
																		X
		X																G
	24																	A
	24	X																N
	48																	B
	48	X																S
120	125																	C
120	125	X																W
240	250																	D
240	250	X																Z
																		H
	24																	X
	48																	X
																		T
120	125																	X
240	250																	X
																		Y
																		3

<sup>1</sup> Requires 24VDC power supply. Power metering not available on non-automatic switches and BSS is included.

# WL Insulated Case Switch

## UL 489 Listed Non-automatic Catalogue Number

*Selection*

Switch locks				Switch catalog number														
				1	2	3	4	5	6	7	8	9	10	11	12	13	14	15
Key lock breaker OPEN position (lock type – KIRK) <sup>1</sup>	Key lock breaker OPEN position (lock type – SUPERIOR) <sup>1</sup>	Padlock provisions for OPEN and CLOSE push buttons <sup>2</sup>	Padlock provisions for charging handle	None													X	
X		X															A	
			X														C	
	X																E	
X		X															F	
	X	X															G	
X		X															J	
	X		X														S	
		X	X														U	
X		X	X														V	
	X	X	X														W	
		X	X														Z	
Miscellaneous options																		
Key lock breaker OPEN position (provision only) <sup>2</sup>				None													N	
X																	B	

<sup>1</sup> Custom key locks are not available and must be supplied by others. Order Key Lock Provisions if custom keys or keyed alike locks are required.

<sup>2</sup> Padlock provided by others.



# WL Insulated Case Circuit Breaker

## UL 489 Listed Accessories

*Selection*

### External breaker accessories

Description	Catalog number
<b>Front mount connectors for fixed breakers</b>	
FS1, 85kAIC at 480V max. 800A, 1200A	WLHF12CONUL
FS2, 100kAIC at 480V max. 1600A	WLL2F16CONUL
FS2, 100kAIC at 480V max. 2000A	WLL2F20CONUL
FS2, 100kAIC at 480V max. 3000A	WLL2F30CONUL
FS3, 100kAIC at 480V max. 4000A, 5000A	WLL3F50CONUL
<b>Mechanical lug</b>	
FS1, 65kAIC at 480V max 800A, 1200A	WLS2P12CONUL
FS2, 65kAIC at 480V max 1600A, 2000A	WLS2P20CONUL
<b>Rear vertical connectors</b>	
FS1, 100kAIC at 480V max 800A, 1200A, 1600A, 2000A	WLH1R12CONUL
FS2, 100kAIC at 480V max 800A, 1200A, 1600A	WLL2R16CONUL
FS2, 100kAIC at 480V max 2000A	WLL2R20CONUL
FS2, 1100kAIC at 480V max 2500A, 3000A	WLL2R30CONUL
FS2, 150kAIC at 480V max 800A, 1200A, 1600A, 2000A, 2500A, 3000A	WLC2R30CONUL
FS3, 150kAIC at 480V max 4000A, 5000A	WLC3R50CONUL
<b>Single phase CTs for metering, 5A secondary</b>	
Rating: 800:5	WLG800NMCT23
Rating: 1200:5	WLG1200NMCT23
Rating: 1600:5	WLG1600NMCT23
Rating: 2000:5	WLG2000NMCT23
Rating: 2500:5	WLG2500NMCT23
Rating: 3000:5	WLG3000NMCT23
Rating: 4000:5	WLG4000NMCT23
Rating: 5000:5	WLG5000NMCT23
<b>Modified differential ground fault (MDGF) CTs</b>	
Modified differential GF (FS2 1200:1) Phase CT	WLGMDGFCT2
Modified differential GF (FS3 1200:1) Phase CT	WLGMDGFCT3
Modified differential GF (FS2 and FS3 1200:1) Neutral CT	WLGNDMGFCT23
<b>4-wire residual ground fault sensor</b>	
Without copper bus adapters (pass-thru mount) - for 3" max bus bar	WLNCT2
Without copper bus adapters (pass-thru mount) - for 3 - 5" max bus bar	WLNCT3
With copper bus adapters for bus bar connection - for 3" max bus bar	WLNCT2CB
With copper bus adapters for bus bar connection - for 3 - 5" max bus bar	WLCNMDGCT23
<b>Mechanical interlocks</b>	
Fixed mounted breaker (FS1)	WLNTLKF1
Fixed mounted breaker (FS2 and FS3)	WLNTLKF23
<b>Miscellaneous external accessories</b>	
Crimp lugs for 10# AWG secondary wiring (package of 70)	WL10RL
Auxiliary contact on drawout breaker (knife block)	WLCNMD
24V DC trip unit and communications power supply, 2.5A SITOP power, Class 2	WLSITOP25
24V DC trip unit and communications power supply 3.8A SITOP power, Class 2	WLSITOP1
Optional metric inserts and bolts for breaker mains (4 each) M8x25 for FS1 and FS2	WLMETRC
Optional metric inserts and bolts for breaker mains (4 each) M10x25 for FS3	WLMETRC3
Secondary disconnect coding kit for UL 489 fixed mounted breaker	WLCODEKITUL
Pull apart terminal block with 1 meter leads for UL 489 fix mounted breakers	WLTERMBLKUL

# WL Insulated Case Breaker Cradles

## UL 489 Listed Catalogue Number

*Selection*

Interrupting rating, frame size, and frame rating

Cradle catalog number

Class	Interrupt rating (kA)		Frame Max ampere rating (A)	Frame size			G	2	3	4	5	6	7	8	9	10	11	12	13	14	15
	240VAC 480VAC	600VAC		1	2	3															
S	65	65	800	X			S	1	3	0	8										
S	65	65	800		X		S	2	3	0	8										
S	65	65	1200	X			S	1	3	1	2										
S	65	65	1200		X		S	2	3	1	2										
S	65	65	1600	X			S	1	3	1	6										
S	65	65	1600		X		S	2	3	1	6										
S	65	65	2000	X			S	1	3	2	0										
S	65	65	2000		X		S	2	3	2	0										
L	100	65	800	X			L	1	3	0	8										
L	100	85	800		X		L	2	3	0	8										
L	100	65	1200	X			L	1	3	1	2										
L	100	85	1200		X		L	2	3	1	2										
L	100	65	1600	X			L	1	3	1	6										
L	100	85	1600		X		L	2	3	1	6										
L	100	65	2000	X			L	1	3	2	0										
L	100	85	2000		X		L	2	3	2	0										
L	100	85	2500		X		L	2	3	2	5										
L	100	85	3000		X		L	2	3	3	0										
L	100	85	4000			X	L	3	3	4	0										
L	100	85	5000			X	L	3	3	5	0										
C	150	100	800		X		C	2	3	0	8										
C	150	100	1200		X		C	2	3	1	2										
C	150	100	1600		X		C	2	3	1	6										
C	150	100	2000		X		C	2	3	2	0										
C	150	100	2500		X		C	2	3	2	5										
C	150	100	3000		X		C	2	3	3	0										
C	150	100	4000			X	C	3	3	4	0										
C	150	100	5000			X	C	3	3	5	0										

Type of secondary terminal connection <sup>1</sup>	
<b>For breakers:</b>	
Screw clamp terminals	A
Spring clamp terminals	B
Ring terminals	C
Screw clamp terminals (low profile, non-partable design)	L
<b>For switches (non-automatic):</b>	
Screw clamp terminals	G
Spring clamp terminals	H
Ring terminals	J
Screw clamp terminals (low profile non-partable design)	N
<b>Truck Operated Contacts (TOC)</b>	
<b>Breaker position switches in the following configurations:</b>	
None	X
(1) Connected, (1) Test, (1) Disconnected - all Form C	1
(3) Connected, (2) Test, (1) Disconnected - all Form C	3
(6) Connected - all Form C	6
<b>Cradle mounted key locks – FS2 and FS3 only</b>	
None	X
Lock breaker in OPEN position (Kirk lock)	A
Lock breaker in OPEN position (Superior lock)	B
Double-key lock breaker in OPEN position (Kirk lock)	C
Double-key lock breaker in OPEN position (Superior lock)	D
Provision only - Lock breaker in OPEN position	E
Provision only - Double-key lock breaker in OPEN position	F
<b>Primary conductor isolation shutter</b>	
None	X
Isolation Shutter	F

<sup>1</sup> Terminal blocks (X5, X6, X8, X9) are installed as standard.

# WL Insulated Case Breaker Cradle

UL 489 Listed Catalogue Number

*Selection*

				Cradle catalog number														
				G	2	3	4	5	6	7	8	9	10	11	12	13	14	15
<b>Arc chute covers</b>																		
None														X				
Arc chute covers (FS1 only)														C				
Arc chute covers (FS2 only)														D				
Arc chute covers (FS3 only – except Class C)														B				
<b>Door locks and mechanical interlocks</b>																		
1. Mechanical interlock with 2.0 meter Bowden cable																		
2. Locks cubicle door, when breaker is in connect position																		
3. Locks cubicle door, when breaker is in connect position																		
4. Locks against racking breaker if the cubicle door is open																		
1	2	3	4	None											X			
X															M			
	X														A			
		X													B			
			X												C			
X	X														D			
X	X		X												E			
X		X													F			
X			X												G			
	X		X												H			
<b>Mechanism Operated Contacts (MOC)</b>																		
<b>Breaker open/close auxiliary switches (4a &amp; 4b) in the following positions:</b>																		
None																		X
Test and Connect position (FS1 and FS2 only)																		M
Connect position (FS1 and FS2 only)																		N
Test and Connect position (FS3 only)																		P
Connect position (FS3 only)																		Q
<b>Connector and heater options</b>																		
Standard rear connectors																		X
Standard rear connectors and a cradle heater (FS2 and FS3)																		H
Rotatable rear connector (FS1 and FS2 2000A and below, S Class)																		J
Rotatable rear connectors and a cradle heater (FS2 2000A and below, S Class)																		K
<b>Future use</b>																		
Placeholder (required)																		N

# WL Insulated Case Breaker Cradles

## UL 489 Listed Accessories

*Selection*

Cradle accessories		Catalog number
<b>3-phase metering CTs, cradle mounted (3 windows per CT)</b>		
FS1 and FS2	Rating – 800:5	WLG8005MCT2
	Rating – 1200:5	WLG12005MCT2
	Rating – 1600:5	WLG16005MCT2
FS2	Rating – 2500:5	WLG25005MCT2
	Rating – 3000:5	WLG30005MCT2
FS3	Rating – 4000:5	WLG40005MCT3
	Rating – 5000:5	WLG50005MCT3

# WL Power Circuit Breaker

## Ratings for UL 1066 Listed (ANSI C37) Breakers

*Selection*

WL frame ratings – Frame size 2		800A					1600A				
Rating Class		N	S	H	L	F	N	S	H	L	F
Interrupting current frame <i>I</i> <sub>cs</sub> (kAIC RMS) 50/60 Hz	254VAC	50	65	85	100	200	50	65	85	100	200
	508VAC	50	65	85	100	200	50	65	85	100	200
	600VAC	—	—	—	—	200	—	—	—	—	200
	635VAC	50	65	65	85	—	50	65	65	85	—
Short-time current <i>I</i> <sub>cw</sub> (kA RMS)	1 sec.	50	65	65	85	—	50	65	65	85	—
Close and latch rating (kA RMS)		50	65	65	85	—	50	65	65	85	—
Applicable rating plug range		200 - 800A					200 - 1600A				
Mechanical make-time (ms)		35					35				
Mechanical break-time (ms)		34					34				
Electric close make-time (ms)		50					50				
Electric trip/ UV break-time (ms)		40/73					40/73				
Electric trip and reclose interval (ms)		80					80				
Mechanical duty cycles (with maint.) <sup>1</sup>		15,000					15,000				
Electrical duty cycles (with maint.) <sup>1</sup>		15,000					15,000				
Draw-out breaker efficiency (Watts loss at rated <i>I</i> <sub>n</sub> )		85					320				
Draw-out fused breaker efficiency (Watts loss at rated <i>I</i> <sub>n</sub> )		Consult factory					Consult factory				
Ambient operating temperature (°C)		-25 to 40					-25 to 40				
Weights (Fused Breaker/Breaker/Cradle) lbs.		227/159/112					227/159/112				

WL frame ratings – Frame size 2		2000A				3200A		
Rating Class		S	H	L	F	S	H	L
Interrupting current frame <i>I</i> <sub>cs</sub> (kAIC RMS) 50/60 Hz	254VAC	65	85	100	200	65	85	100
	508VAC	65	85	100	200	65	85	100
	600VAC	—	—	—	200	—	—	—
	635VAC	65	65	85	—	65	65	85
Short-time current <i>I</i> <sub>cw</sub> (kA RMS)	1 sec.	65	65	85	—	65	65	85
Close and latch rating (kA RMS)		65	65	85	—	65	65	85
Applicable rating plug range		200 - 2000A				200 - 3200A		
Mechanical make-time (ms)		35				35		
Mechanical break-time (ms)		34				34		
Electric close make-time (ms)		50				50		
Electric trip/ UV break-time (ms)		40/73				40/73		
Electric trip and reclose interval (ms)		80				80		
Mechanical duty cycles (with maint.) <sup>1</sup>		15,000				15,000		
Electrical duty cycles (with maint.) <sup>1</sup>		15,000				15,000		
Draw-out breaker efficiency (Watts loss at rated <i>I</i> <sub>n</sub> )		700				1650		
Draw-out fused breaker efficiency (Watts loss at rated <i>I</i> <sub>n</sub> )		Consult factory				Consult factory		
Ambient operating temperature (°C)		-25 to 40				-25 to 40		
Weights (Fused Breaker/Breaker/Cradle) lbs.		227/209/152				227/209/152		

<sup>1</sup> Maintenance means: replacing main contacts and arc chutes (see operating instructions).  
M-Class main contacts can be replaced by Siemens personnel only.

# WL Power Circuit Breaker

## Ratings for UL 1066 Listed (ANSI C37) Breakers

*Selection*

WL frame ratings – Frame size 3		3200A		4000A				5000A			
Rating Class		M	F	H	L	M	F	H	L	M	F
Interrupting current frame /cs	254VAC	150	200	85	100	150	200	85	100	150	200
(kAIC RMS) 50/60 Hz	508VAC	150	200	85	100	150	200	85	100	150	200
	600VAC	—	200	—	—	—	200	—	—	—	200
	635VAC	85	—	85	85	85	—	85	85	85	—
Short-time current I <sub>cs</sub> (kA RMS)	1 sec.	100 <sup>2</sup>	—	85	100 <sup>2</sup>	100 <sup>2</sup>	—	85	100 <sup>2</sup>	100 <sup>2</sup>	—
Close and latch rating (kA RMS)		100 <sup>2</sup>	—	85	100 <sup>2</sup>	100 <sup>2</sup>	—	85	100 <sup>2</sup>	100 <sup>2</sup>	—
Applicable rating plug range		800 - 3200A		800 - 4000A				800 - 5000 A			
Mechanical make-time (ms)		35		35				35			
Mechanical break-time (ms)		34		34				24			
Electric close make-time (ms)		50		50				50			
Electric trip/ UV break-time (ms)		40/73		40/73				40/73			
Electric trip and reclose interval (ms)		80		80				80			
Mechanical duty cycles (with maint.) <sup>1</sup>		10,000		10,000				10,000			
Electrical duty cycles (with maint.) <sup>1</sup>		10,000		10,000				10,000			
Draw-out breaker efficiency (Watts loss at rated I <sub>n</sub> )		700		1100				1650			
Draw-out fused breaker efficiency (Watts loss at rated I <sub>n</sub> )		Consult factory		Consult factory				Consult Factory			
Ambient operating temperature (°C)		-25 to 40		-25 to 40				-25 to 40			
Weights (Fused Carriage/Breaker/Cradle) lbs.		225/260/306		225/260/306				225/260/306			

## Ratings for UL 1066 Listed Non-automatic Switches

WL frame ratings		Frame size 2 800A - 3200A <sup>4</sup>		Frame size 3 3200 - 5000A <sup>4</sup>	
Rating Class		F <sup>3</sup>	L	F <sup>3</sup>	L
Breaking capacity with external relay (kA RMS)	254VAC	200	100	200	100
50/60 Hz, instantaneous trip	508VAC	200	100	200	100
	635VAC	200	85	200	85
Short-time current I <sub>cs</sub> (kA RMS)	1 sec.	N/A	65	N/A	100 <sup>2</sup>

<sup>1</sup> Maintenance means: replacing main contacts and arc chutes (see operating instructions).

M-Class main contacts can be replaced by Siemens personnel only. Do not apply switch or breaker rated at 635VAC to a system with fault current > 85kA RMS.

<sup>2</sup> Short-time withstand current (I<sub>cs</sub>) at 635 VAC is kAIC RMS.

<sup>3</sup> Max. 600 VAC.

<sup>4</sup> 3200A frame rating is only available in L-Class in Frame Size 2. 3200A frame rating is not available in L-Class in Frame Size 3.

# WL Power Circuit Breaker

## UL 1066 Listed Catalogue Number

*Selection*

Interrupting rating, frame size, breaker type and frame rating

Note: Cradle must be ordered separately (see page 49)

Breaker catalog number

Class	Interrupt rating (kA)		Frame Max ampere rating (A)	Frame size		Fuse (A)	Breaker catalog number																
	254VAC 508VAC	635VAC		2	3		1	2	3	4	5	6	7	8	9	10	11	12	13	14	15		
N	50	50	800	X			N	2	A	3	0	8											
N	50	50	1600	X			N	2	A	3	1	6											
S	65	65	800	X			S	2	A	3	0	8											
S	65	65	1600	X			S	2	A	3	1	6											
S	65	65	2000	X			S	2	A	3	2	0											
S	65	65	3200	X			S	2	A	3	3	2											
H	85	65	800	X			H	2	A	3	0	8											
H	85	65	1600	X			H	2	A	3	1	6											
H	85	65	2000	X			H	2	A	3	2	0											
H	85	65	3200	X			H	2	A	3	3	2											
H	85	85	4000		X		H	3	A	3	4	0											
H	85	85	5000		X		H	3	A	3	5	0											
L	100	85	800	X			L	2	A	3	0	8											
L	100	85	1600	X			L	2	A	3	1	6											
L	100	85	2000	X			L	2	A	3	2	0											
L	100	85	3200	X			L	2	A	3	3	2											
L	100	85	4000		X		L	3	A	3	4	0											
L	100	85	5000		X		L	3	A	3	5	0											
M	150	85	3200		X		M	3	A	3	3	2											
M	150	85	4000		X		M	3	A	3	4	0											
M	150	85	5000		X		M	3	A	3	5	0											
F	200	200	800	X		400	F	2	A	3	0	A											
F	200	200	800	X		600	F	2	A	3	0	B											
F	200	200	800	X		800	F	2	A	3	0	C											
F	200	200	800	X		900	F	2	A	3	0	D											
F	200	200	800	X		1000	F	2	A	3	0	E											
F	200	200	800	X		1200	F	2	A	3	0	F											
F	200	200	800	X		1600	F	2	A	3	0	G											
F	200	200	800	X		2000	F	2	A	3	0	H											
F	200	200	800	X		2500	F	2	A	3	0	J											
F	200	200	800	X		3000	F	2	A	3	0	K											
F	200	200	1600	X		400	F	2	A	3	1	A											
F	200	200	1600	X		600	F	2	A	3	1	B											
F	200	200	1600	X		800	F	2	A	3	1	C											
F	200	200	1600	X		900	F	2	A	3	1	D											
F	200	200	1600	X		1000	F	2	A	3	1	E											
F	200	200	1600	X		1200	F	2	A	3	1	F											
F	200	200	1600	X		1600	F	2	A	3	1	G											
F	200	200	1600	X		2000	F	2	A	3	1	H											
F	200	200	1600	X		2500	F	2	A	3	1	J											
F	200	200	1600	X		3000	F	2	A	3	1	K											
F	200	200	2000	X		400	F	2	A	3	2	A											
F	200	200	2000	X		600	F	2	A	3	2	B											
F	200	200	2000	X		800	F	2	A	3	2	C											
F	200	200	2000	X		900	F	2	A	3	2	D											
F	200	200	2000	X		1000	F	2	A	3	2	E											
F	200	200	2000	X		1200	F	2	A	3	2	F											
F	200	200	2000	X		1600	F	2	A	3	2	G											
F	200	200	2000	X		2000	F	2	A	3	2	H											
F	200	200	2000	X		2500	F	2	A	3	2	J											
F	200	200	2000	X		3000	F	2	A	3	2	K											
F	200	200	3200		X	6000	F	3	A	3	3	2											
F	200	200	4000		X	6000	F	3	A	3	4	0											
F	200	200	5000		X	6000	F	3	A	3	5	0											

**6**  
WL POWER  
CIRCUIT BREAKERS



# WL Power Circuit Breaker

UL 1066 Listed Catalogue Number

*Selection*

## Rating plug

Breaker catalog number

Maximum continuous current rating (A)	Frame size		Breaker catalog number															
	2	3	1	2	3	4	5	6	7	8	9	10	11	12	13	14	15	
200	X																	A
225	X																	B
250	X																	C
300	X																	D
315	X																	E
350	X																	F
400	X																	G
450	X																	H
500	X																	J
600	X																	K
630	X																	L
700	X																	M
800	X		X															N
1000	X		X															P
1200	X		X															Q
1250	X		X															R
1600	X		X															T
2000	X		X															U
2500	X		X															V
3000	X		X															W
3200	X		X															Y
4000			X															Z
5000			X															1

## Electronic trip units (ETU)

Trip unit type	Protective function			LCD display alpha num.	Ground fault module		
	L	S	I		Alarm	Trip	
ETU745	X	(X)	(X)				C
ETU745	X	(X)	(X)	X			D
ETU745	X	(X)	(X)		X		E
ETU745	X	(X)	(X)	X	X		F
ETU745	X	(X)	(X)		X	X	G
ETU745	X	(X)	(X)	X	X	X	H
ETU748	X	X					J
ETU748	X	X		X			K
ETU748	X	X			X		L
ETU748	X	X		X	X		N
ETU748	X	X			X	X	P
ETU748	X	X		X	X	X	Q
ETU776	X	(X)	(X)				V
ETU776	X	(X)	(X)		X		W
ETU776	X	(X)	(X)		X	X	Y

( ) Function can be disabled by user.

# WL Power Circuit Breaker

UL 1066 Listed Catalogue Number

*Selection*

## Bell alarm, breaker ready-to-close, auxiliary contacts

Breaker catalog number

1 2 3 4 5 6 7 8 9 10 11 12 13 14 15

Bell alarm remote reset coil voltage		Form C contacts	Breaker ready-to-close 1b contact	Breaker open/close auxiliary switches			
AC	DC			2a + 2b	4a + 4b		
						None	X
		X					A
			X				B
				X			C
					X		D
		X	X				E
		X		X			F
		X			X		G
			X	X			H
			X		X		I
		X	X	X			J
		X	X		X		K
	24	X					L
	48	X					M
120	125	X					N
240	250	X					O
	24	X	X				P
	48	X	X				Q
120	125	X	X				R
240	250	X	X				S
	24	X		X			T
	48	X		X			U
120	125	X		X			V
240	250	X		X			W
	24	X			X		Y
	48	X			X		Z
120	125	X			X		1
240	250	X			X		2
	24	X	X	X			3
	48	X	X	X			4
120	125	X	X	X			5
240	250	X	X	X			6
	24	X	X		X		7
	48	X	X		X		8
120	125	X	X		X		9
240	250	X	X		X		0

## Shunt trip

Control voltage		Status contact		
AC	DC			
			None	X
	24			A
	48			B
120	125			C
240	250			D
	24	X		E
	48	X		F
120	125	X		G
240	250	X		H

# WL Power Circuit Breaker

## UL 1066 Listed Catalogue Number

*Selection*

Undervoltage release (with or without time delay) or 2nd shunt trip					Breaker catalog number																	
Control voltage		UVR without delay	UVR with delay	UVR status contact <sup>1</sup>	2nd shunt trip	1	2	3	4	5	6	7	8	9	10	11	12	13	14	15		
AC	DC					None	X	A	B	C	D	E	F	G	H	J	K	L	M	N	P	Q
	24	X																				X
	48	X																				A
120	125	X																				B
240	250	X																				C
	48		X																			D
120	125		X																			E
240	250		X																			F
	24				X																	G
	48				X																	H
120	125				X																	J
240	250				X																	K
	24	X		X																		L
	48	X		X																		M
120	125	X		X																		N
240	250	X		X																		P
	48		X	X																		Q
	125		X	X																		R
120	250		X	X																		S
																						T

### Charging motor, motor switch, operations counter

Charging motor operation voltage		Motor cut-off switch	Operations counter	Breaker catalog number																		
AC	DC			None	X	A	B	C	D	E	F	G	H	J	K	L	M	N	P	Q	R	
																						X
	24																					A
	48																					B
120	125																					C
240	250																					D
	24	X																				E
	48	X																				F
120	125	X																				G
240	250	X																				H
	24			X																		J
	48			X																		K
120	125			X																		L
240	250			X																		M
	24	X	X																			N
	48	X	X																			P
120	125	X	X																			Q
240	250	X	X																			R

<sup>1</sup> Status contact is only available when communication is not installed on breaker. Signal is sent via communication in lieu of status contact.

# WL Power Circuit Breaker

UL 1066 Listed Catalogue Number

*Selection*

## Close coil, power metering and communications

Breaker catalog number

Close coil operation voltage		Power metering capable <sup>1</sup>	Modbus <sup>2</sup>	PROFIBUS <sup>2</sup>	Breaker catalog number														
AC	DC				1	2	3	4	5	6	7	8	9	10	11	12	13	14	15
					None												X		
	24																A		
	48																B		
120	125																C		
240	250																D		
							X										G		
								X									H		
	24						X										N		
	24							X									P		
	48							X									S		
	48							X									T		
120	125						X										W		
120	125							X									Y		
240	250						X										2		
240	250							X									3		
	24	X					X										Q		
	48	X					X										U		
120	125	X					X										Z		
240	250	X					X										4		
	24	X						X									R		
	48	X						X									V		
120	125	X						X									1		
240	250	X						X									5		
		X					X										L		
		X						X									M		
		X															F		
	24	X															6		
	48	X															7		
120	125	X															8		
240	250	X															9		

## Breaker locks

Key lock breaker OPEN position (lock type – KIRK) <sup>3</sup>	Key lock breaker OPEN position (lock type – SUPERIOR) <sup>3</sup>	Padlock provisions for OPEN and CLOSE pushbuttons <sup>4</sup>	Padlock provisions for charging handle <sup>4</sup>	Breaker catalog number														
				None												X		
X																	A	
						X											C	
							X										E	
	X																F	
X						X											G	
	X					X											J	
X									X								S	
	X								X								U	
						X			X								V	
X						X			X								W	
	X					X			X								Z	

## Miscellaneous options <sup>5</sup>

Key lock breaker OPEN position (provision only) <sup>4</sup>	Manual trip reset ETU (Automatic trip reset is standard)	Breaker catalog number															
		None														N	
X																	B
						X											C
X						X											D

<sup>1</sup> Requires External PTs for voltage input and 24VDC power supply.

<sup>2</sup> Includes BSS device and requires 24VDC power supply.

<sup>3</sup> Custom key locks are not available and must be supplied by others. Order key lock provision if custom if keyed alike locks are required.

<sup>4</sup> Locks provided by others.

<sup>5</sup> If a breaker lock is chosen for Digit 14, a provision need not be ordered in Digit 15.

# WL Power Circuit Switch

## UL 1066 Listed Non-automatic Catalogue Number

*Selection*

Breaking capacity, frame size, switch type and frame rating

Class	Breaking capacity (kA)		Frame	Frame size			Switch catalog number															
	240VAC 480VAC	600VAC	Max ampere rating (A)	2	3	Fuse (A)	1	2	3	4	5	6	7	8	9	10	11	12	13	14	15	
L	100	85	800	X			L	2	S	3	0	8	S	S								
L	100	85	1600	X			L	2	S	3	1	6	S	S								
L	100	85	2000	X			L	2	S	3	2	0	S	S								
L	100	85	3200	X			L	2	S	3	2	2	S	S								
L	100	85	4000		X		L	3	S	3	4	0	S	S								
L	100	85	5000		X		L	3	S	3	5	0	S	S								
F	200	200	800	X		1000	F	2	S	3	0	E	S	S								
F	200	200	800	X		1200	F	2	S	3	0	F	S	S								
F	200	200	800	X		1600	F	2	S	3	0	G	S	S								
F	200	200	800	X		2000	F	2	S	3	0	H	S	S								
F	200	200	800	X		2500	F	2	S	3	0	J	S	S								
F	200	200	800	X		3000	F	2	S	3	0	K	S	S								
F	200	200	1600	X		1000	F	2	S	3	1	E	S	S								
F	200	200	1600	X		1200	F	2	S	3	1	F	S	S								
F	200	200	1600	X		1600	F	2	S	3	1	G	S	S								
F	200	200	1600	X		2000	F	2	S	3	1	H	S	S								
F	200	200	1600	X		2500	F	2	S	3	1	J	S	S								
F	200	200	1600	X		3000	F	2	S	3	1	K	S	S								
F	200	200	2000	X		1000	F	2	S	3	2	E	S	S								
F	200	200	2000	X		1200	F	2	S	3	2	F	S	S								
F	200	200	2000	X		1600	F	2	S	3	2	G	S	S								
F	200	200	2000	X		2000	F	2	S	3	2	H	S	S								
F	200	200	2000	X		2500	F	2	S	3	2	J	S	S								
F	200	200	2000	X		3000	F	2	S	3	2	K	S	S								
F	200	200	3200		X	6000	F	3	S	3	3	2	S	S								
F	200	200	4000		X	6000	F	3	S	3	4	0	S	S								
F	200	200	5000		X	6000	F	3	S	3	5	0	S	S								

# WL Power Circuit Switch

UL 1066 Listed Non-automatic Catalogue Number

*Selection*

Breaker ready-to-close auxiliary contacts			Switch catalog number																
Breaker ready-to-close 1b contact	Breaker open/close auxiliary switches 2a + 2b	4a + 4b	1	2	3	4	5	6	7	8	9	10	11	12	13	14	15		
			None									X							
X													B						
	X												C						
		X											D						
X	X												H						
X		X											I						

## Shunt trip

Operation voltage		Status contact		
AC	DC			
			None	X
	24			A
	48			B
120	125			C
240	250			D
	24	X		E
	48	X		F
120	125	X		G
240	250	X		H

## Undervoltage release (with or without time delay) or 2nd shunt trip

Operation voltage		UVR without delay	UVR with delay	UVR status contact <sup>1</sup>	2nd shunt trip		
AC	DC						
						None	X
	24	X					A
	48	X					B
120	125	X					C
240	250	X					D
	48		X				E
120	125		X				F
240	250		X				G
	24				X		H
	48				X		J
120	125				X		K
240	250				X		L
	24	X		X			M
	48	X		X			N
120	125	X		X			P
240	250	X		X			Q
	48		X	X			R
	125		X	X			S
120	250		X	X			T

<sup>1</sup> Status contact only available when communication is not installed. Signal is sent via communication in lieu of status contact.

# WL Power Circuit Switch

UL 1066 Listed Non-automatic Catalogue Number

Selection

## Charging motor, motor switch, operations counter

Switch catalog number

Charging motor operation voltage		Motor cut-off switch	Operations counter	Switch catalog number															
AC	DC			1	2	3	4	5	6	7	8	9	10	11	12	13	14	15	
				None											X				
	24														A				
	48														B				
120	125														C				
240	250														D				
	24	X													E				
	48	X													F				
120	125	X													G				
240	250	X													H				
	24		X												J				
	48		X												K				
120	125		X												L				
240	250		X												M				
	24	X	X												N				
	48	X	X												P				
120	125	X	X												Q				
240	250	X	X												R				

## Close coil, communications

Close coil operation voltage		Modbus <sup>1</sup>	PROFIBUS <sup>1</sup>	Switch catalog number															
AC	DC			1	2	3	4	5	6	7	8	9	10	11	12	13	14	15	
				None											X				
		X													G				
	24														A				
	24	X													N				
	48														B				
	48	X													S				
120	125														C				
120	125	X													W				
240	250														D				
240	250	X													2				
			X												H				
	24		X												P				
	48		X												T				
120	125		X												Y				
240	250		X												3				

<sup>1</sup> Requires 24VDC power supply. BSS is included.



# WL Power Circuit Switch

## UL 1066 Listed Non-automatic Catalogue Number

*Selection*

Switch locks				Switch catalog number														
				1	2	3	4	5	6	7	8	9	10	11	12	13	14	15
Key lock breaker OPEN position (lock type – KIRK) <sup>1</sup>	Key lock breaker OPEN position (lock type – SUPERIOR) <sup>1</sup>	Padlock provisions for OPEN and CLOSE pushbuttons <sup>2</sup>	Padlock provisions for charging handle	None														X
X		X																A
			X															C
	X																	E
X		X																F
	X	X																G
X			X															J
	X																	S
		X	X															U
		X	X															V
X		X	X															W
	X	X	X															Z

### Miscellaneous options<sup>3</sup>

Key lock breaker OPEN position (provision only) <sup>2</sup>	None														N
X															B

## UL 1066 Listed Accessories

External accessories	Catalog number
<b>Single phase CTs for metering, 5A secondary</b>	
Ratings – 800:5	WLG800NMCT23
Ratings – 1600:5	WLG1600NMCT23
Ratings – 2000:5	WLG2000NMCT23
Ratings – 3200:5	WLG3200NMCT23
Ratings – 4000:5	WLG4000NMCT23
Ratings – 5000:5	WLG5000NMCT23
<b>Modified differential ground fault</b>	
Modified differential GF (FS2 1200:1) Phase CT	WLGMDGFCT2
Modified differential GF (FS3 1200:1) Phase CT	WLGMDGFCT3
Modified differential GF (FS2, FS3 1200:1) Neutral CT	WLNCT3CB
<b>4-wire residual ground fault sensor</b>	
Without copper bus adapters (pass-thru mount) - for 3" max bus bar	WLNCT2
Without copper bus adapters (pass-thru mount) - for 3 - 5" max bus bar	WLNCT3
With copper bus adapters for bus bar connection - for 3" max bus bar	WLNCT2CB
With copper bus adapters for bus bar connection - for 3 - 5" max bus bar	WLNCT3CB
<b>Internal replacement current sensor kit</b>	
Frame Size 2 Breaker	WLCT2
Frame Size 3 Breaker	WLCT3
<b>Miscellaneous external accessories</b>	
Crimp lugs for 10#AWG secondary wiring (package of 70)	WL10RL
Auxiliary contact on drawout breaker (knife block)	WLCNMD
24V DC trip unit and communications power supply, 2.5A SITOP power, class 2	WLSITOP25
24V DC trip unit and communications power supply, 3.8A SITOP power, class 2	WLSITOP1

<sup>1</sup> Custom key locks are not available and must be supplied by others. Order Key Lock Provisions if custom keys or keyed alike breakers are required.

<sup>2</sup> Lock provided by others.

<sup>3</sup> If a breaker lock is chosen for Digit 14, a provision need not be ordered in Digit 15.

# WL Power Circuit Switch

## UL 1066 Listed Cradle Catalogue Number

Selection

### Interrupting rating, frame size and frame rating

Class	Interrupt rating (kA)		Frame Max ampere rating (A)	Frame size		Cradle catalog number															
	240VAC	600VAC		2	3	G	2	3	4	5	6	7	8	9	10	11	12	13	14	15	
	480VAC																				
N	50	50	800	X				N	2	3	0	8									
N	50	50	1600	X				N	2	3	1	6									
S	65	65	800	X				S	2	3	0	8									
S	65	65	1600	X				S	2	3	1	6									
S	65	65	2000	X				S	2	3	2	0									
S	65	65	3200	X				S	2	3	3	2									
H	85	65	800	X				H	2	3	0	8									
H	85	65	1600	X				H	2	3	1	6									
H	85	65	2000	X				H	2	3	2	0									
H	85	65	3200	X				H	2	3	3	2									
H	85	85	4000		X			H	3	3	4	0									
H	85	85	5000		X	X		H	3	3	5	0									
L	100	85	800	X				L	2	3	0	8									
L	100	85	1600	X				L	2	3	1	6									
L	100	85	2000	X				L	2	3	2	0									
L	100	85	3200	X				L	2	3	3	2									
L	100	85	4000		X			L	3	3	4	0									
L	100	85	5000		X	X		L	3	3	5	0									
M	150	85	3200		X			M	3	3	3	2									
M	150	85	4000		X			M	3	3	4	0									
M	150	85	5000		X	X		M	3	3	5	0									
F	200	200	800	X				F	2	3	0	8									
F	200	200	1600	X				F	2	3	1	6									
F	200	200	2000	X				F	2	3	2	0									
F	200	200	3200		X			F	2	3	3	2									
F	200	200	4000		X	X		F	3	3	4	0									
F	200	200	5000		X	X		F	3	3	5	0									

### Type of secondary terminal connection <sup>1</sup>

#### For Breakers:

Screw clamp terminals	P
Spring clamp terminals	T
Ring terminals	R
Screw clamp terminals (low profile, non-partable design)	K

#### For Switch (Non-automatic):

Screw clamp terminals	D
Spring clamp terminals	E
Ring terminals	F
Screw clamp terminals, non-partable design)	M

### Truck Operated Contacts (TOC)

#### Breaker position switches in the following configurations:

None	X
(1) Connected, (1) Test, (1) Disconnected - all Form C	1
(3) Connected, (2) Test, (1) Disconnected - all Form C	3
(6) Connected - all Form C	6

### Cradle mounted key locks <sup>2</sup>

None	X
Lock breaker in OPEN position (Kirk key)	A
Lock breaker in OPEN position (Superior key)	B
Double lock breaker in OPEN position (Kirk key)	C
Double lock breaker in OPEN position (Superior key)	D
Provision only - Lock breaker in OPEN position	E
Provision only - Double lock breaker in OPEN position	F

### Primary conductor isolation shutter

None	X
Isolation Shutters	F

<sup>1</sup> Terminal blocks (X5, X6, X8, X9) are installed as standard.

<sup>2</sup> Fused Frame Size 3 circuit breakers include a two cylinder provision as standard, with the second position pre-populated with a key-interlock to prevent racking (in or out) of the separately-mounted fuse carriage while the associated fused circuit breaker is closed.

# WL Power Circuit Breaker Cradles

## UL 1066 Listed Cradle Catalog Number

## Selection

			Cradle catalog number														
			G	2	3	4	5	6	7	8	9	10	11	12	13	14	15
<b>Arc chute covers</b>																	
None													X				
Arc chute covers (FS2 only – Except Class F)													A				
Arc chute covers (FS3 only – Except Class F and M)													B				
<b>Door locks and mechanical interlock</b>																	
1. Mechanical interlock with 2.0 meter Bowden cable																	
2. Locks cubicle door, when breaker is in connect position (FS2 and FS3)																	
3. Locks against racking breaker if the cubicle door is open (FS2 and FS3)																	
1	2	3															
None														X			
X														M			
X				X										A			
X							X							C			
X				X										D			
X				X			X							E			
X							X							G			
X				X			X							H			
<b>Mechanism Operated Contacts (MOC)</b>																	
<b>Breaker open/close auxiliary switches (4a &amp; 4b) in the following positions:</b>																	
None															X		
Test and Connect position (FS2 only)															M		
Connect position (FS2 only)															N		
Test and Connect position (FS3 only)															P		
Connect position (FS3 only)															Q		
<b>Connector and heater options</b>																	
Standard rear connectors																X	
Standard rear connectors and a cradle heater																H	
Rotatable rear connectors (FS2, 2000A and below, N, S, & H Class)																J	
Rotatable rear connectors and a cradle heater (FS2, 2000A and below, N, S, & H Class)																K	
<b>Future use</b>																	
Placeholder (required)																	N

## UL 1066 Listed accessories

Cradle accessories		Catalog Number
<b>3-phase metering CTs, cradle mounted (3 windows per CT)</b>		
FS2	Ratings – 800:5	WLG8005MCT2
	Ratings – 1600:5	WLG16005MCT2
	Ratings – 2000:5	WLG20005MCT2
	Ratings – 3200:5	WLG32005MCT2
FS3	Ratings – 3200:5	WLG32005MCT3
	Ratings – 4000:5	WLG40005MCT3
	Ratings – 5000:5	WLG50005MCT3

# WL Breaker

## Application Data

General

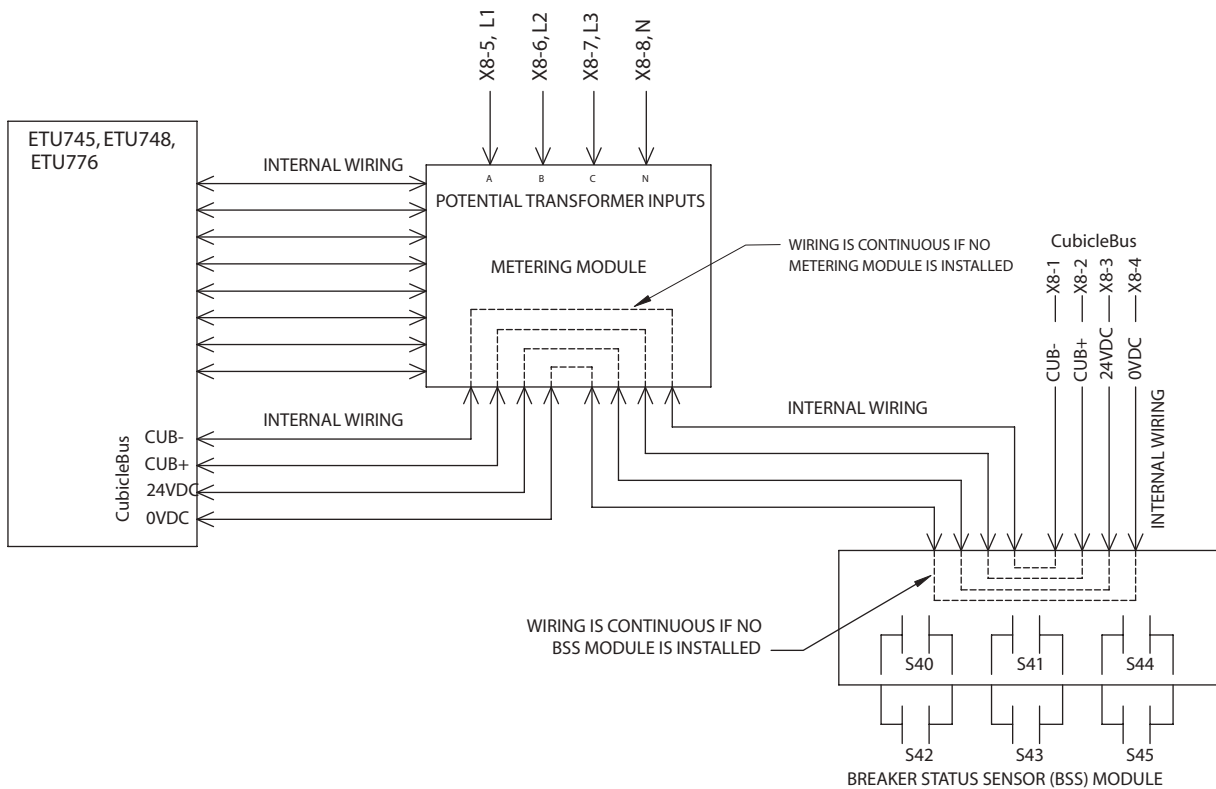
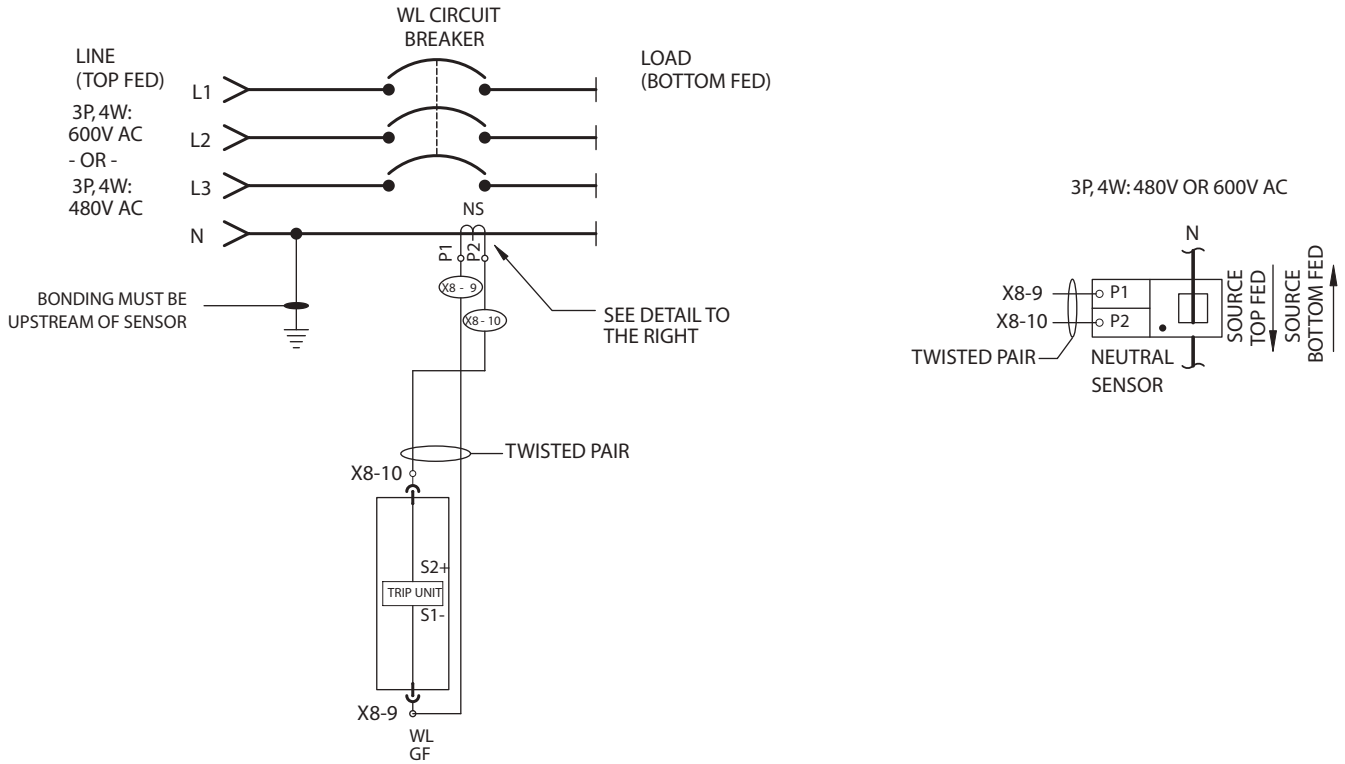
### WL Secondary Terminal Assignments

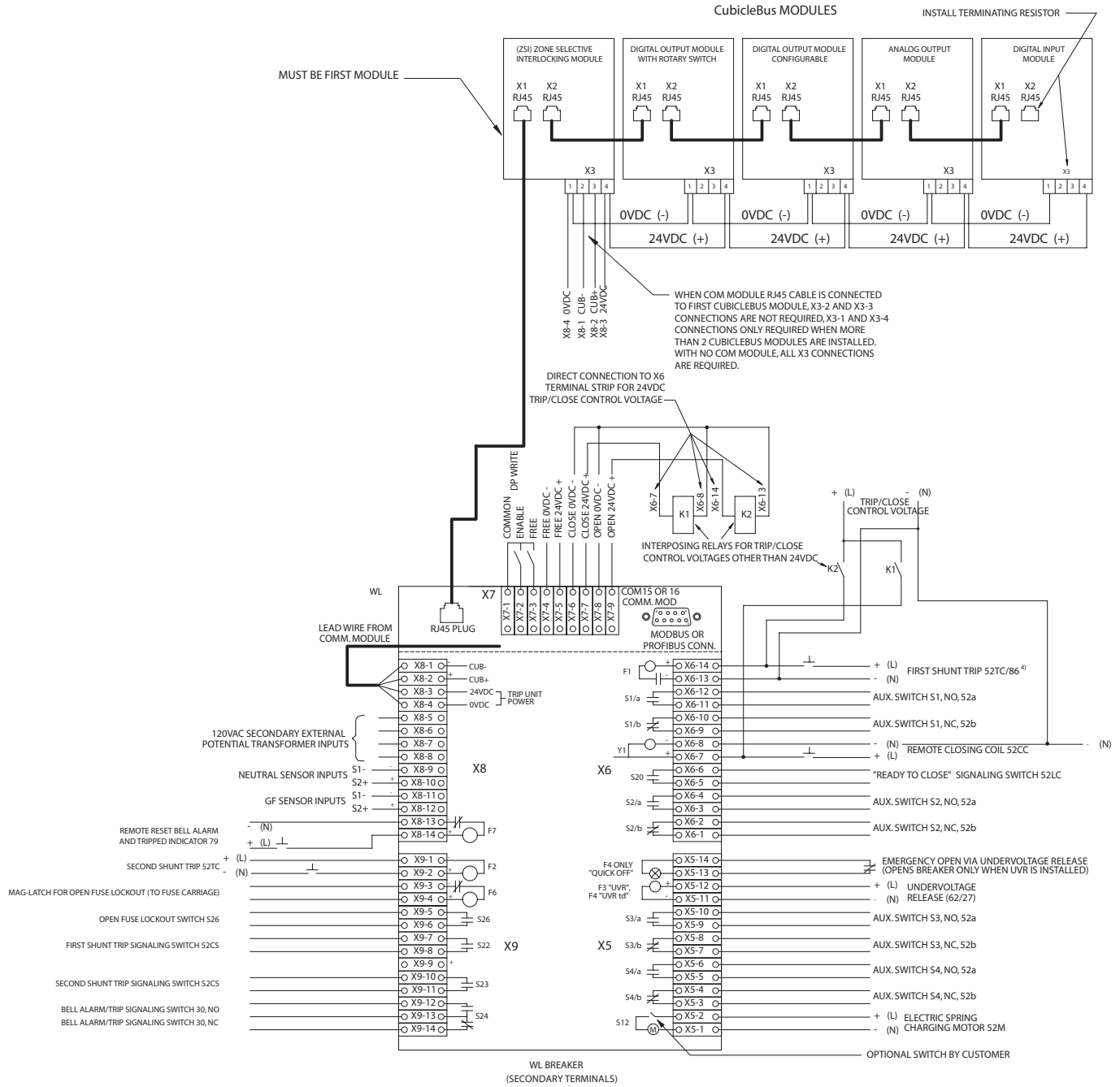
	Internal	Terminals	External	
		<b>X9</b>		
Bell alarm / trip signaling		14		
		13		
		12		
		11		
Signaling switch, 2nd auxiliary release Local electric close		10		
		9		L / (+) Control power signal
		8		
Signaling switch, 1st auxiliary release		7		
Signal switch, open fuse lockout		6		
		5		
Maglatch for open fuse lockout (FS III fused only)		4		X9.4 Fuse carriage FSIII
		3		X9.3
		2		L / (+) Control power signal
2nd shunt trip		1		N / (+)
		<b>X8</b>		
Remote reset bell alarm & tripped indicator		14		L / (+) Control power signal
		13		N / (-)
GF sensor S2		12		
GF sensor S1		11		
N sensor S2		10		Short terminals, if no N sensor
N sensor S1		9		
External voltage transformer COM		8		Phase A For use with 120V AC
External voltage transformer L3		7		Phase B secondary voltage transformers
External voltage transformer L2		6		Phase C
External voltage transformer L1		5		
0 V d.c.		4		24 V d.c. input
Control Power 24 V d.c.		3		
CUB +		2		Termination resistor, 120 Ω, 0.5 W
CUB -		1		if no external CB Module connected
COM15/16, otherwise no connection		<b>X7</b>		
		<b>X6</b>		
1st Shunt Trip		14		L / (+) Control power signal
		13		N / (-)
Aux switch, N.O., 52a, S1		12		
Aux switch, N.C., 52b, S1		11		
		10		
		9		
Closing coil		8		N / (-)
"Ready-to-close" signal		7		L / (+) Control power signal
		6		
		5		
Aux switch, N.O., 52a, S2		4		
Aux switch, N.C., 52b, S2		3		
		2		
		1		
		<b>X5</b>		
Emergency open via UVR		14		Breaker will open if X5-13 and X5-14 are not connected or opened by an emergency open signal, if a UVR is installed
UVR		13		
UVR		12		L / (+) Control power signal
		11		N / (-)
Aux switch, N.O., 52a, S3		10		
		9		
		8		
Aux switch, N.C., 52b, S3		7		
		6		
Aux switch, N.O., 52a, S4		5		
		4		
Aux switch, N.C., 52b, S4		3		
Charging motor Motor cut-off switch		2		L / (+) Control power signal
		1		N / (-)

# WL Breaker

## General Wiring

Schematic





- NOTES:
1. COMPONENT PLACEMENT PER PANEL, SWITCHGEAR, OR SWITCHBOARD DRAWINGS.
  2. ALL DEVICES SHOWN IN OPEN AND/OR DE-ENERGIZED STATE.
  3. ALL GROUND FAULT WIRING TO BE SHIELDED TWISTED PAIR
  4. SHUNT TRIP CLEARING CONTACT ONLY WITH INTERMITTENT-DUTY SHUNT TRIPS ON FIRST SHUNT TRIP ONLY

# WL Breaker

## Ground Fault Setting

*Selection*

### Ground Fault Protection

When optional ground fault is selected, the trip unit detects fault currents that flow to ground and represent a fire hazard to the system. The adjustable time delay allows selective staggering of consecutively arranged circuit breakers.

When setting the parameters of the trip unit, a selection can be made between the alarm and trip if the set current value is exceeded. The cause of the trip is displayed on an LED when the query button is pressed.

### Modules

The trip unit versions ETU745, ETU748, and ETU776 can be retrofitted with a ground fault protection module.

Two versions of the optional ground fault module can be ordered:

- Trip and Alarm
- Alarm only

Ground Fault Measuring Methods  
Residual sensing of the ground fault current

A current transformer with the transformer ratio 1200A : 1A is used to measure the ground fault current. The transformer can be installed directly in the grounded star point of a transformer.

### Setting

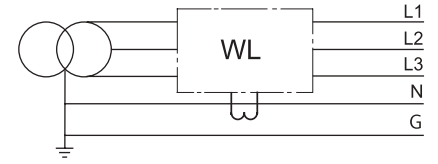
The ground fault module can be set depending on the measuring method (see above):

Measuring method 1: in position  $\Sigma I$   
Measuring method 2: in position G.

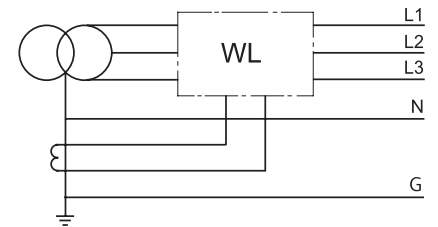
With trip unit ETU776, this setting is implemented via the display and key pad or communications.

Ground Fault Protection with  $I^2t$  Characteristic Curve  
All versions of the ground fault modules are delivered with an  $I^2t$  or fixed delay.

Modules are available in either Alarm only or Alarm and Trip functions.



**Residual sensing of the ground fault current**



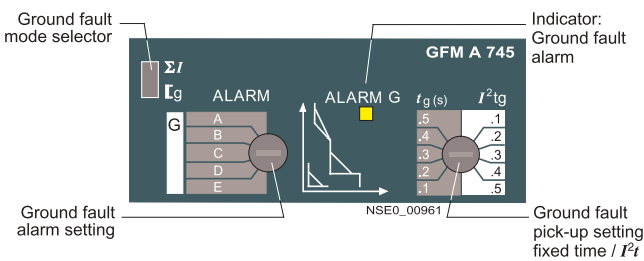
**Direct measurement of the ground fault current**

6

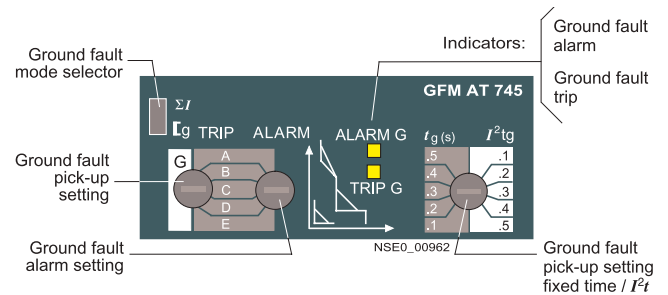
WL POWER  
CIRCUIT BREAKERS

The trip unit calculates the ground fault current by vectorial current summation of the 3-phase currents and the neutral conductor current. Direct measurement of the ground fault current.

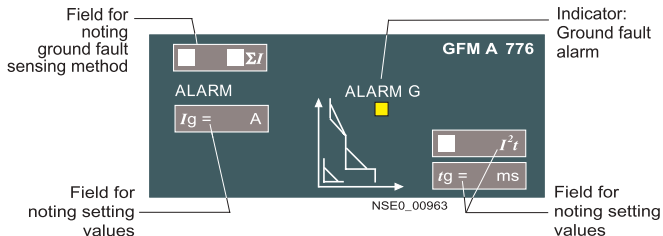
### Ground fault module GFM A 745-748



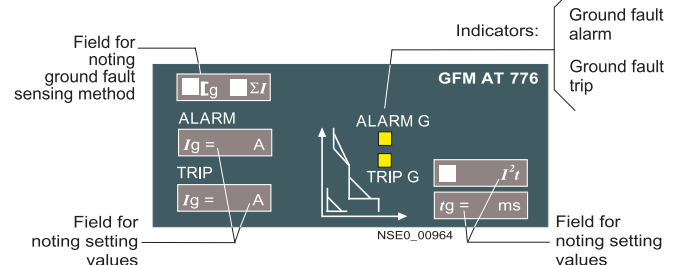
### Ground fault module GFM AT 745-748



### Ground fault module GFM A 776



### Ground fault module GFM AT 776





# WL Breaker

## Metering Voltage Details

## Selection

VT / PT connections for the WL Breaker when equipped with metering WL power metering ("Meter Function") can accept 3W or 4W (LL/LN) system voltage connections.

The trip unit settings available are:

- 1) VT Primary Voltage (240V, 480V, 600V)
- 2) VT Secondary Voltage (100V, 110V, 120V)
- 3) VT Connection (Wye / LN, Delta / LL)

Three VTs must be used at all times.

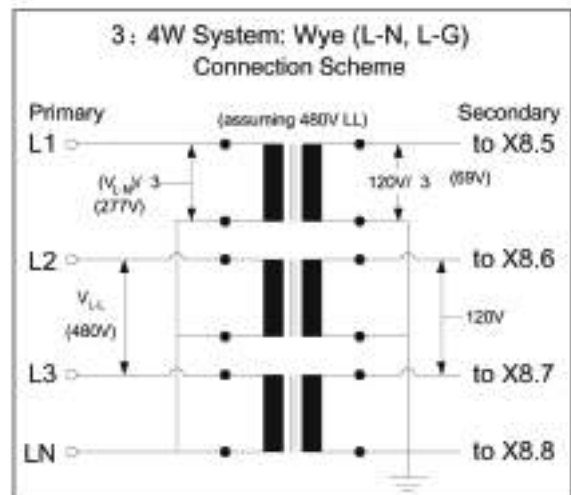
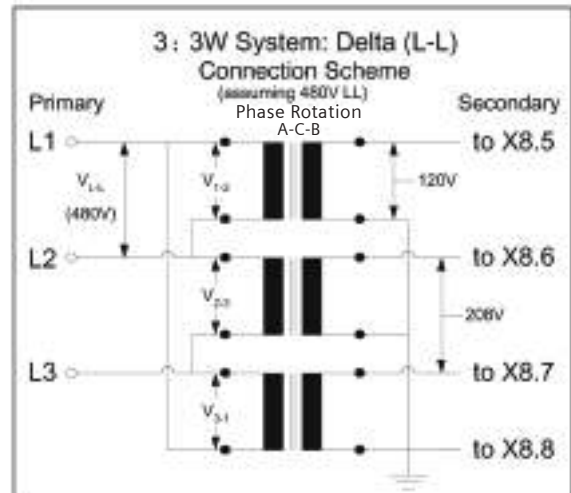
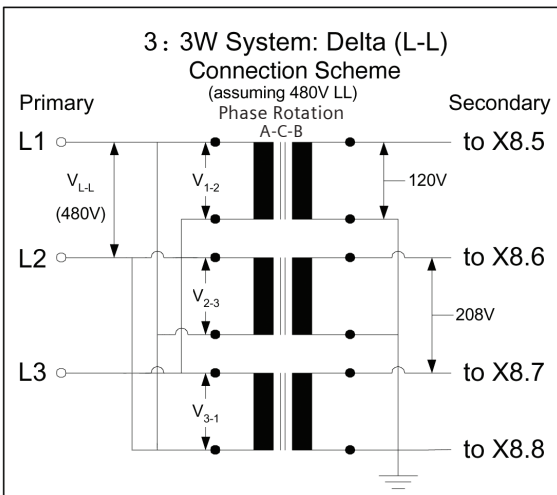
All three VTs should be rated for the nominal system L-L voltage (e.g. 480V) and may have either 100V, 110V or 120V secondary voltages.

The following ratios are suggested or equivalent VTs can be used: (Must be supplied by others)

- 240:120 = 2:1 (ITI Part # 460-240 or 468-240)
- 480:120 = 4:1 (ITI Part # 460-480 or 468-480)
- 600:120 = 5:1 (ITI Part # 460-600 or 468-600)

VT Accuracy:

Each Metering Module presents a purely resistive (unity power factor) load to the transformer. Assuming no other devices connected to the VT, a ITI type 486 VT can safely feed 10 metering modules and still maintain 0.6% accuracy assuming the wiring from the VT to the individual metering modules is twisted pair and kept to a minimum length.

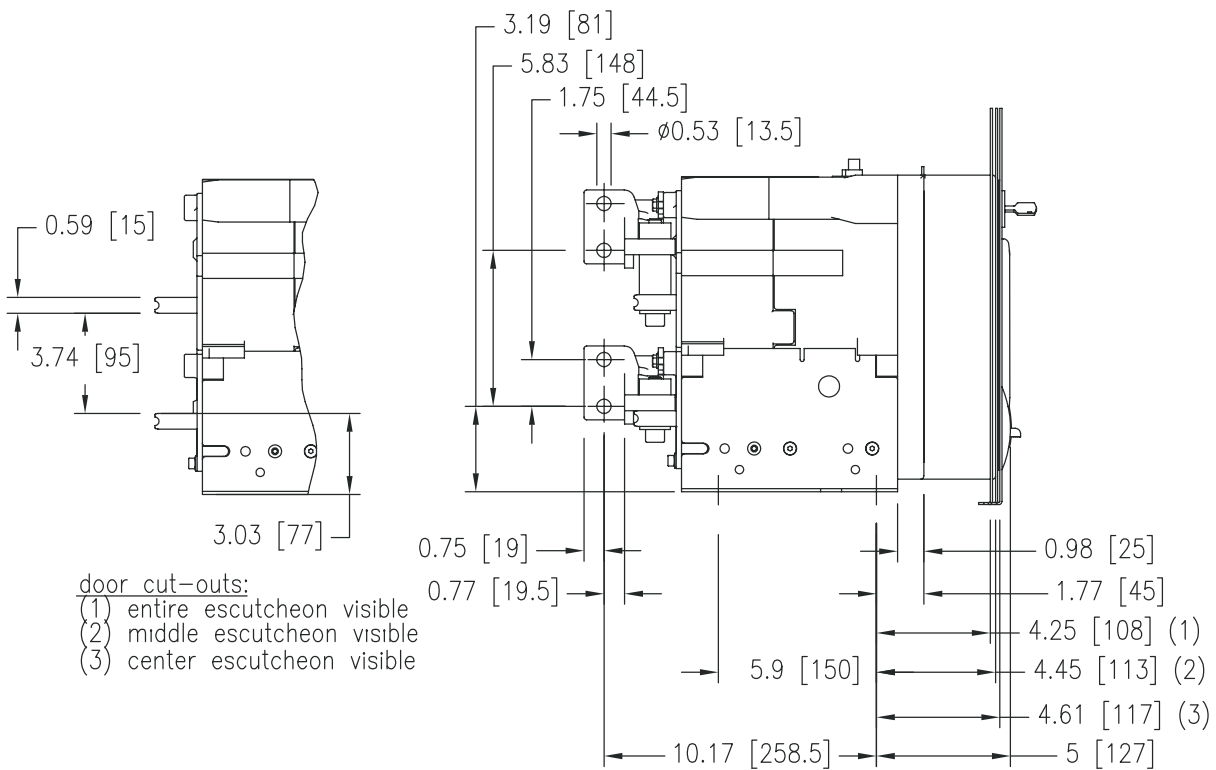
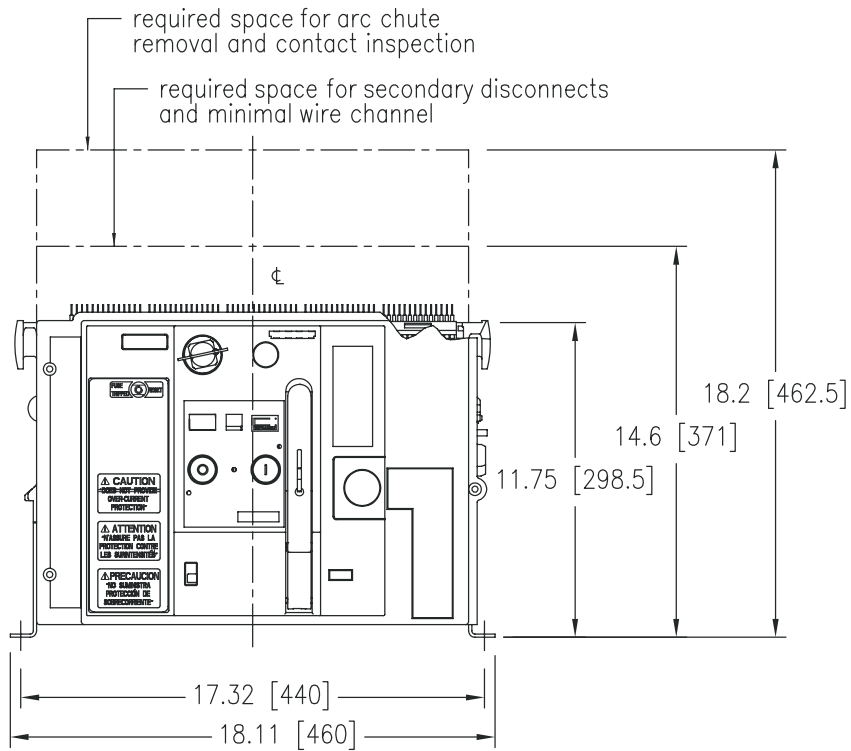


# Low Voltage Circuit Breaker

## UL489 Fixed-mount Breaker

*Dimensions*

Frame size 1



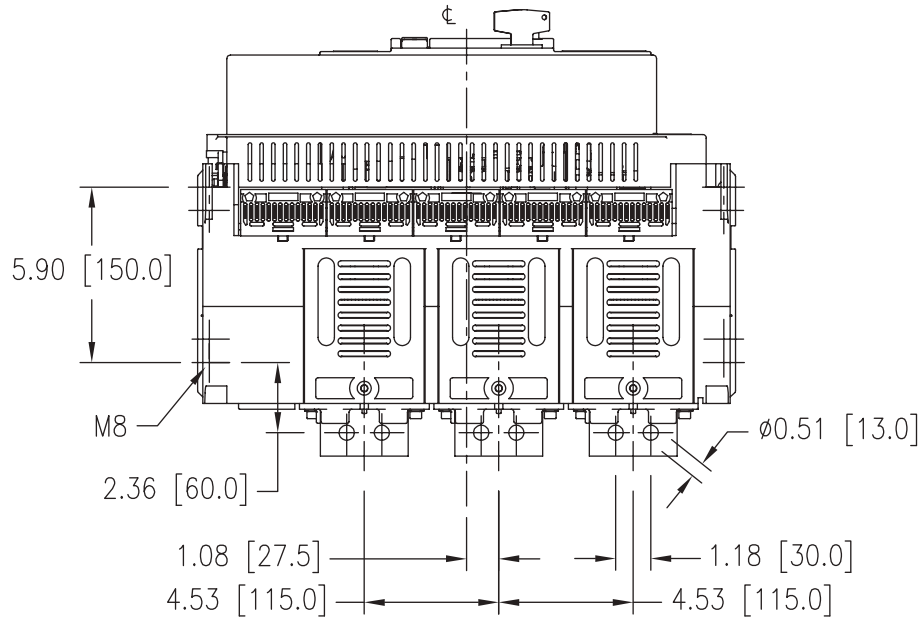
# Low Voltage Circuit Breaker

## UL489 Fixed-mount Breaker

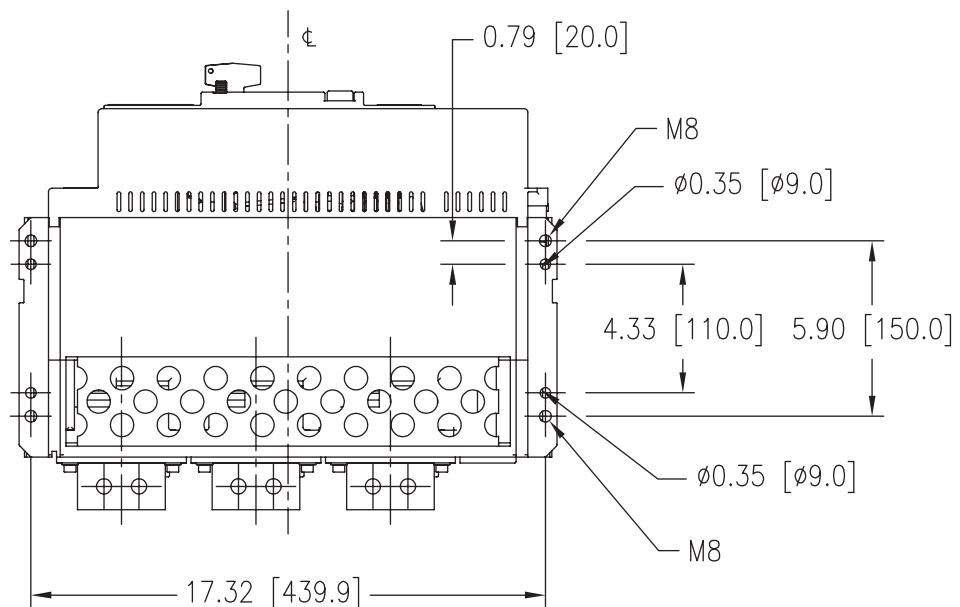
Dimensions

Frame size 1  
Horizontal Connectors

### Top view



### Bottom view



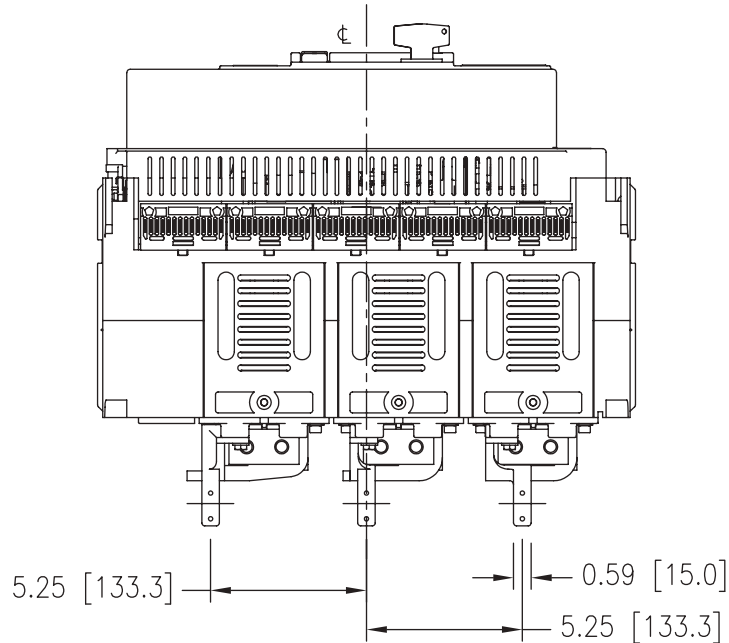
# Low Voltage Circuit Breaker

## UL489 Fixed-mount Breaker

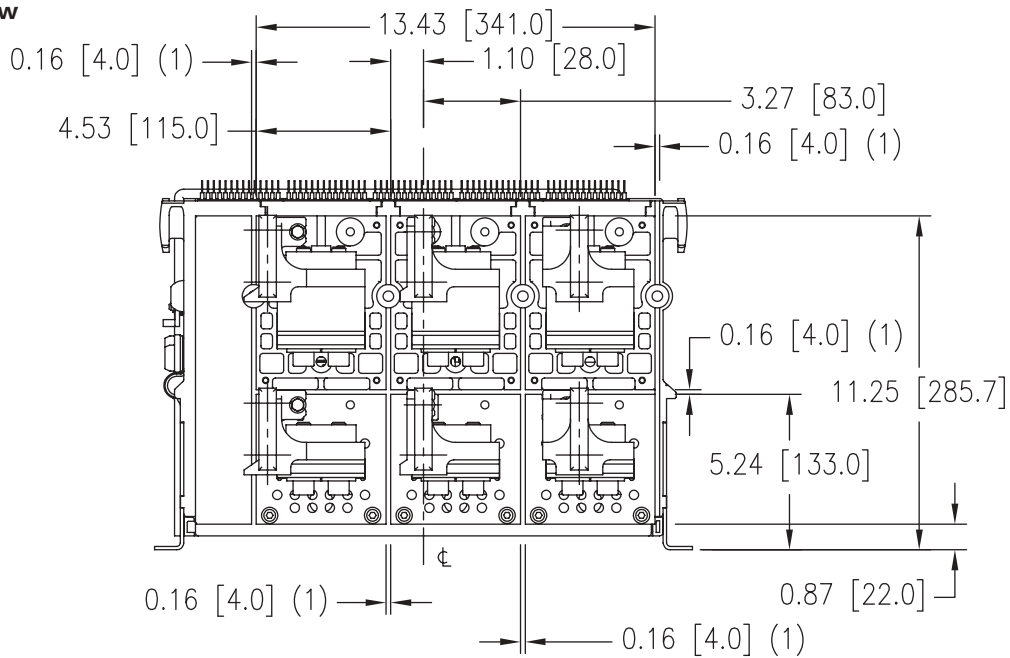
*Dimensions*

Frame Size 1  
Rear Vertical Connectors

**Top view**



**Rear view**



(1) = slots for insulation barriers

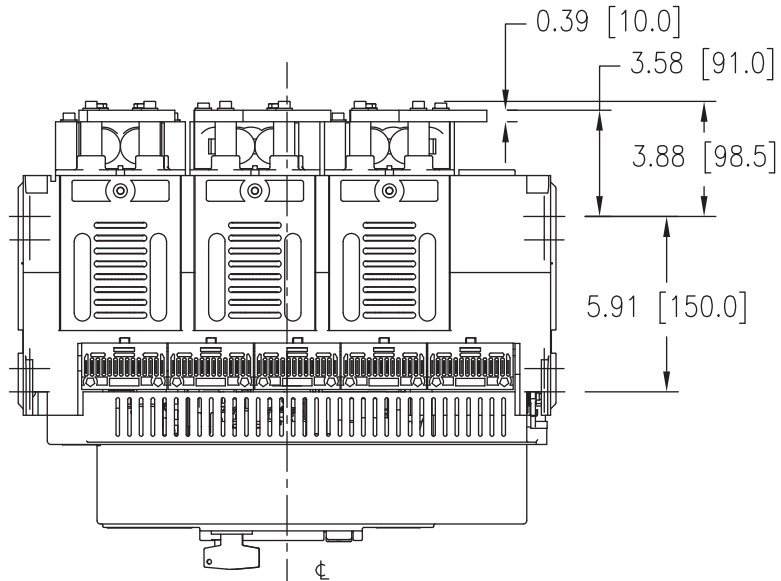
# Low Voltage Circuit Breaker

## UL489 Fixed-mount Breaker

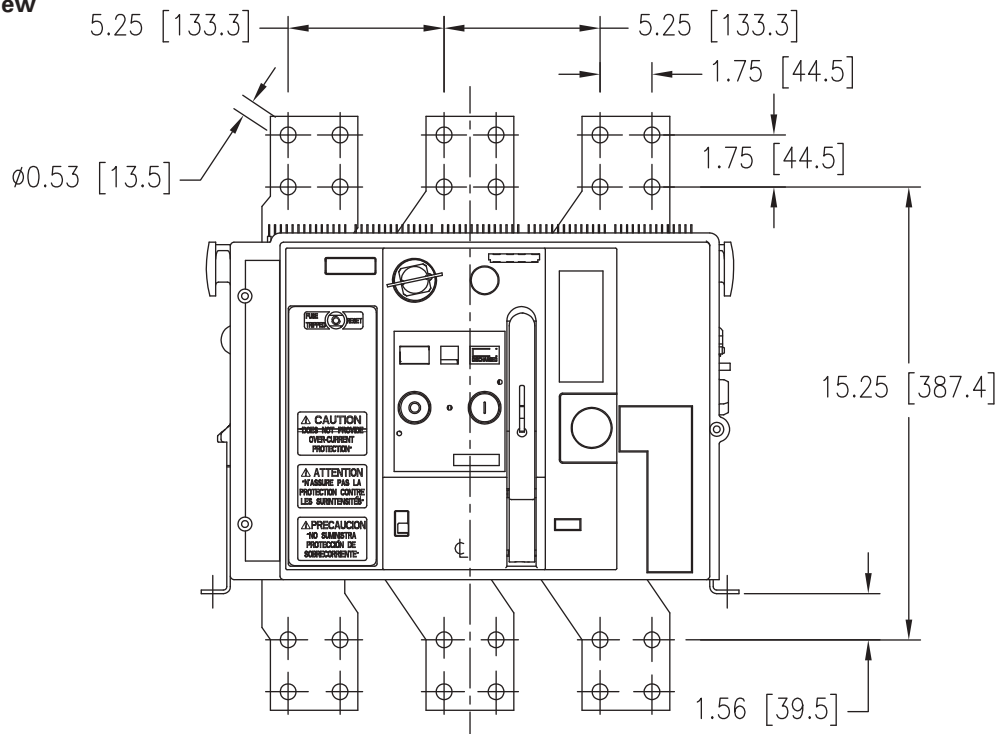
## Dimensions

Frame Size 1  
Front Connectors

Top view



Front view



# Low Voltage Circuit Breaker

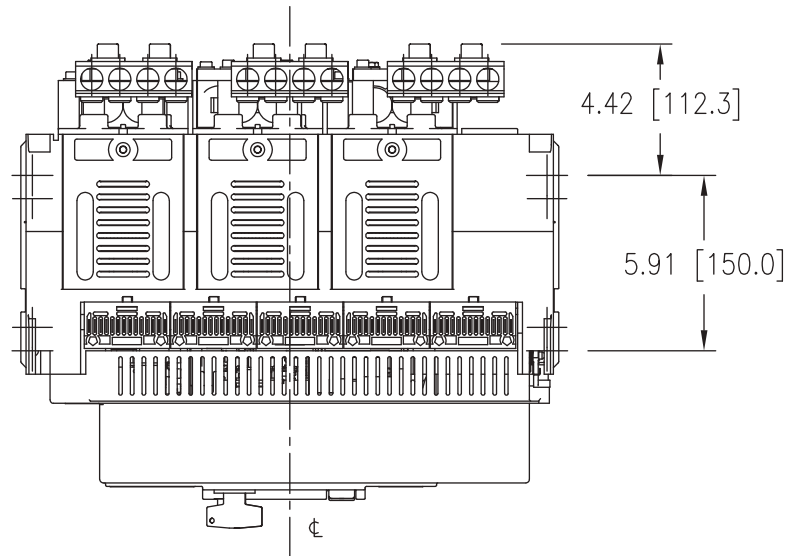
## UL489 Fixed-mount Breaker

*Dimensions*

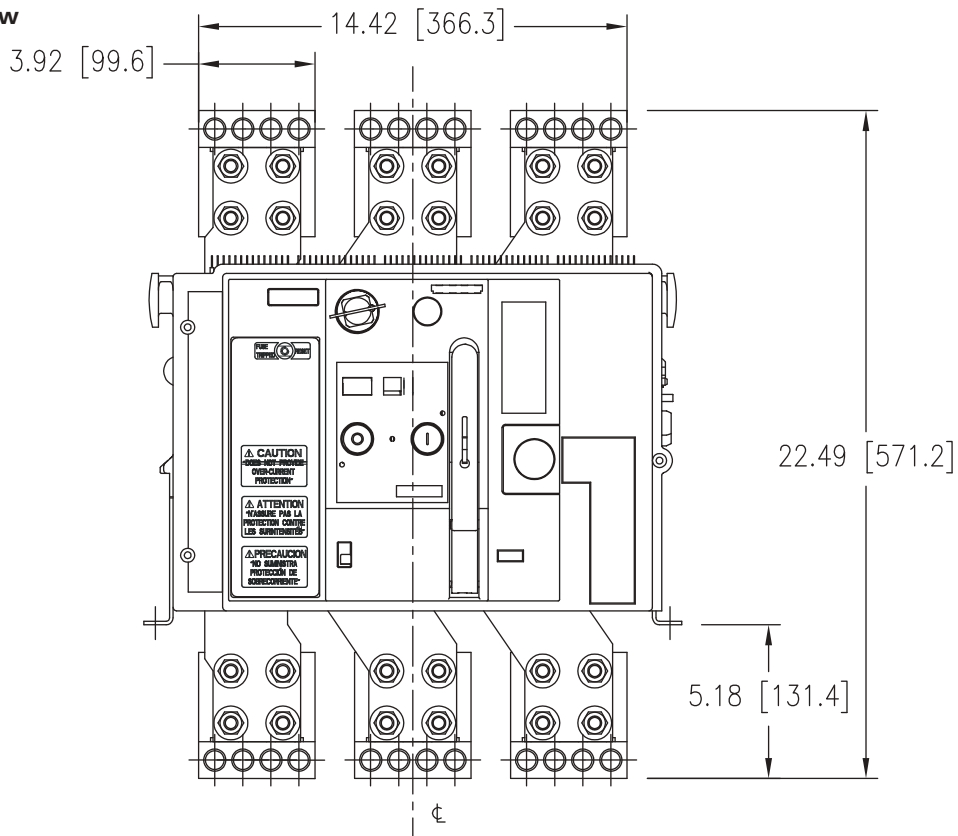
Frame Size 1

Front Connectors and Lugs

Top view



Front view



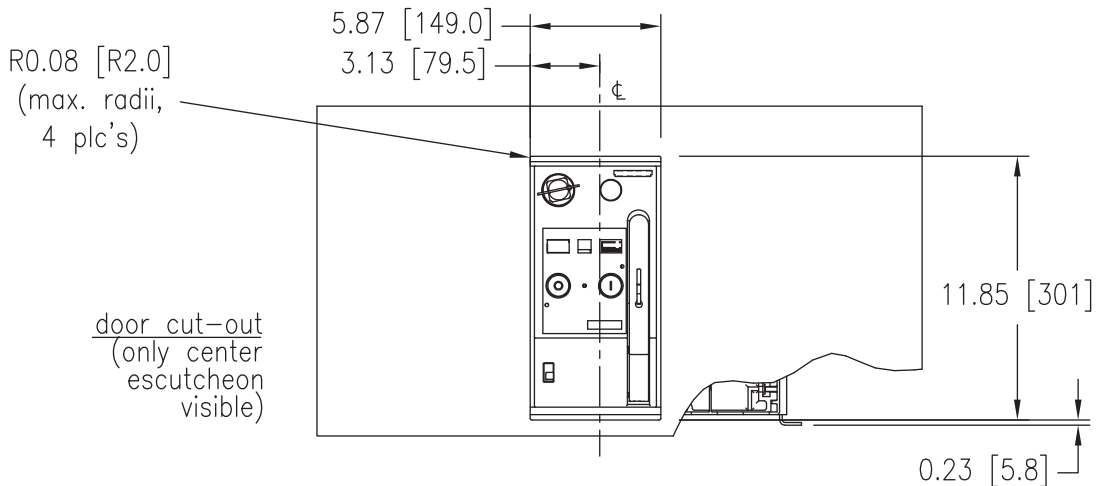
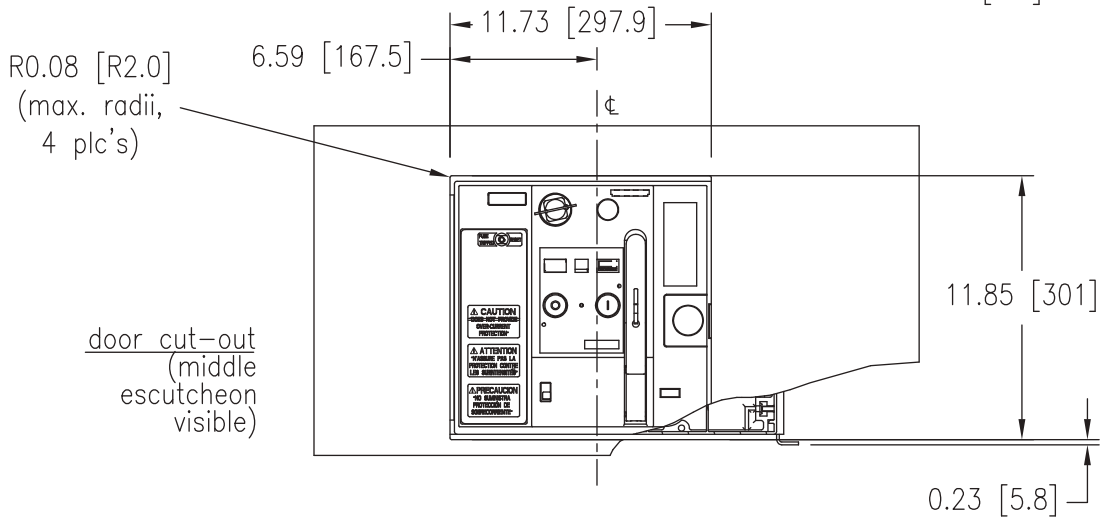
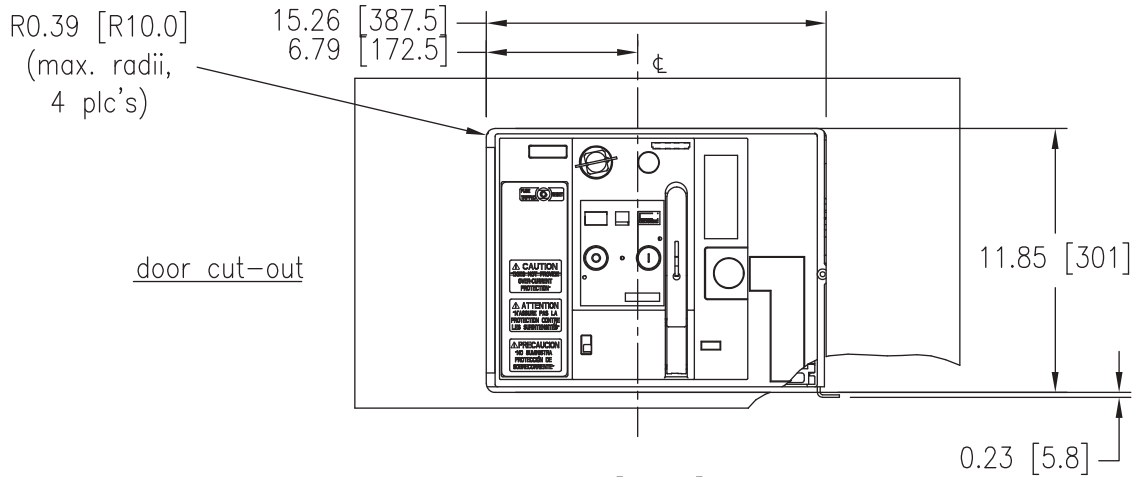
# Low Voltage Circuit Breaker

## UL489 Fixed-mount Breaker

*Dimensions*

Fixed Size 1

Door Cut-outs



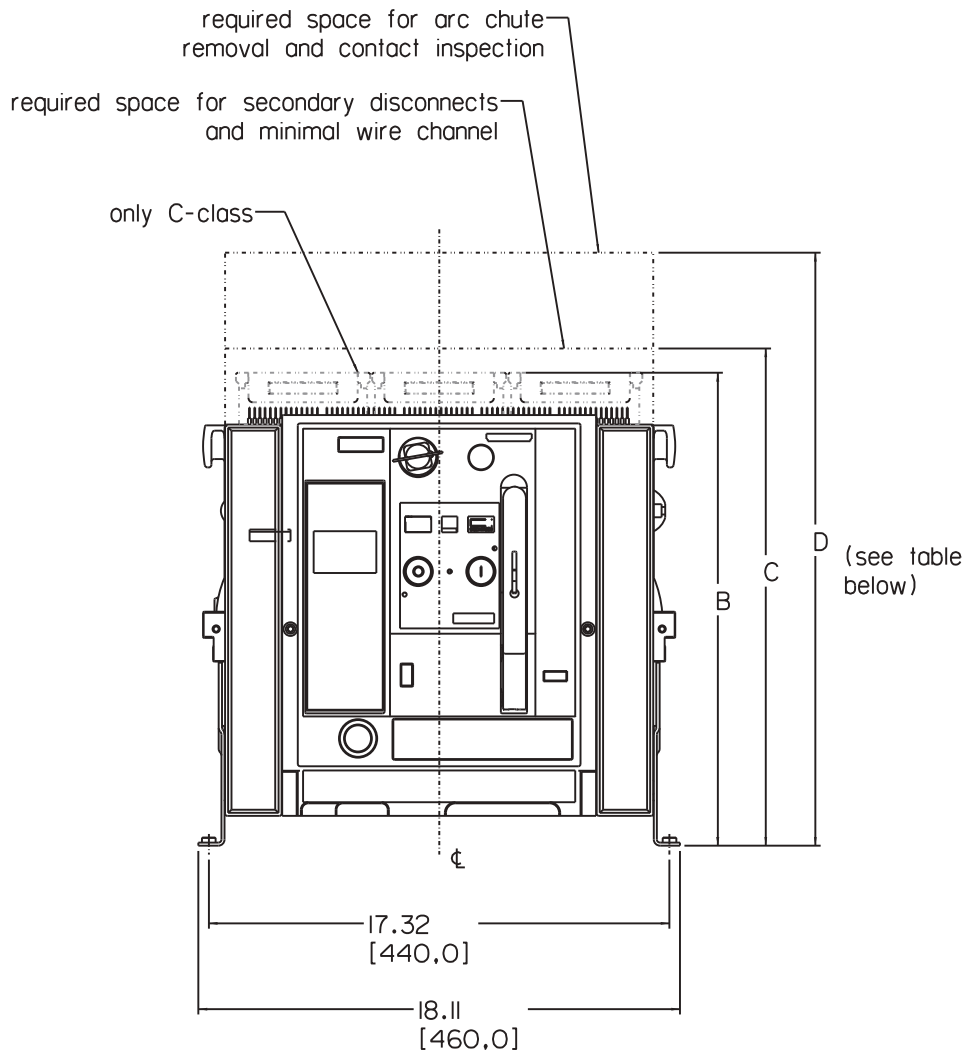


# Low Voltage Circuit Breaker

## UL489 Fixed-mount Breaker

Frame Size 2

*Dimensions*



Interrupting class	Dimension B	Dimension C	Dimension D
S/L	15.85 [402.5]	18.70 [475.0]	22.30 [566.5]
C	17.80 [452.10]	18.70 [475.0]	25.20 [640.0]

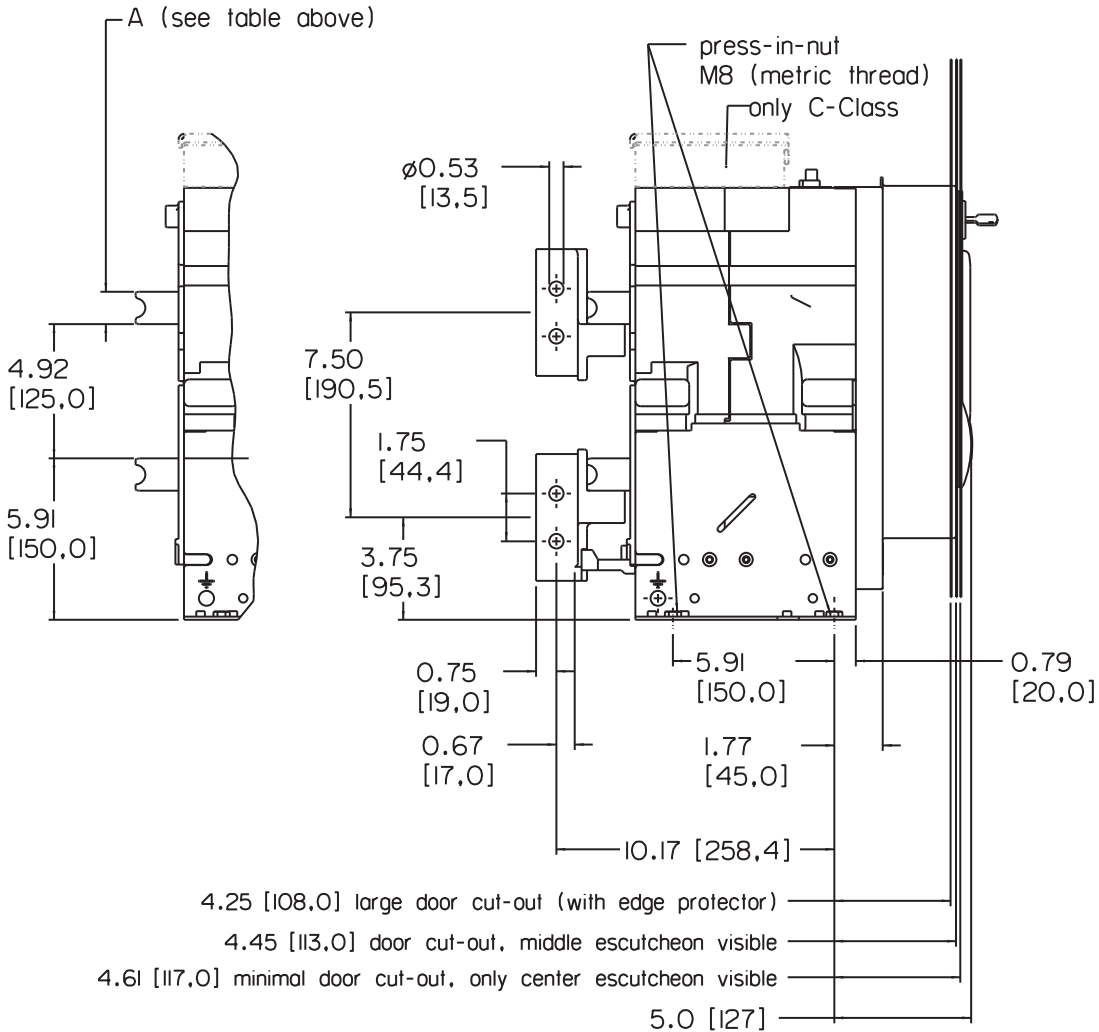
# Low Voltage Circuit Breaker

## UL489 Fixed-mount Breaker

*Dimensions*

Frame Size 2

Optional Vertical Connectors



Interrupting Class	Rated Current	Dimension A
S/L	max. 1600 A	0.39 [10]
S/L	max. 2000 A	0.59 [15]
S/L	max. 3000 A	1.18 [30]
C	1600 - 3000 A	1.18 [30]

# Low Voltage Circuit Breaker

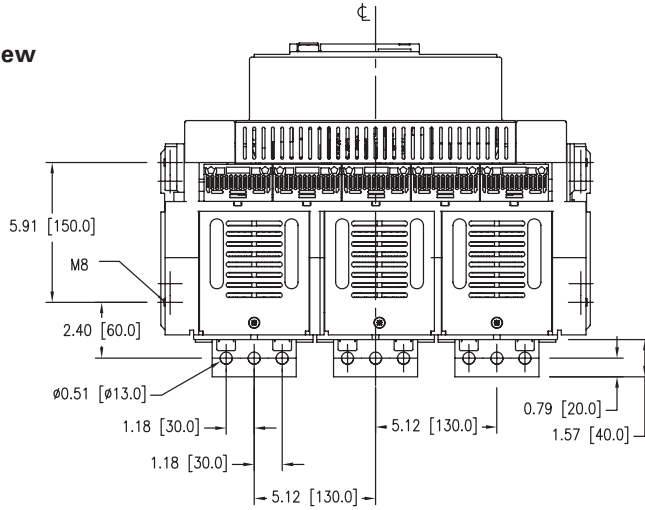
## UL489 Fixed-mount Breaker

Frame Size 2

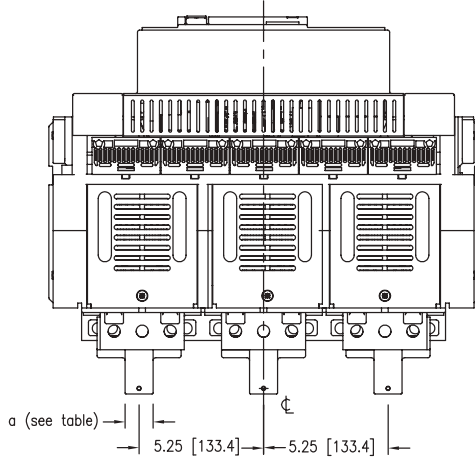
Optional Vertical Connectors

### Dimensions

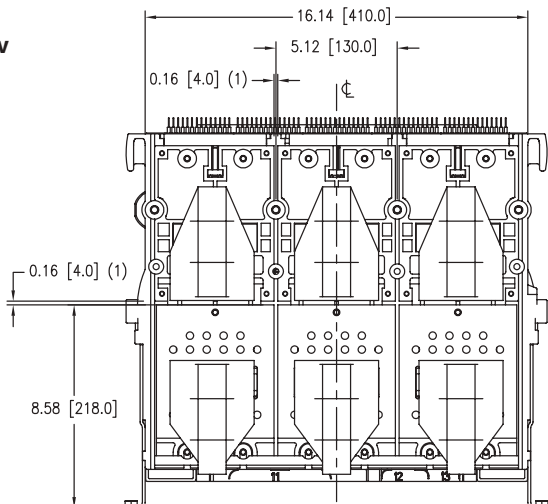
Top view



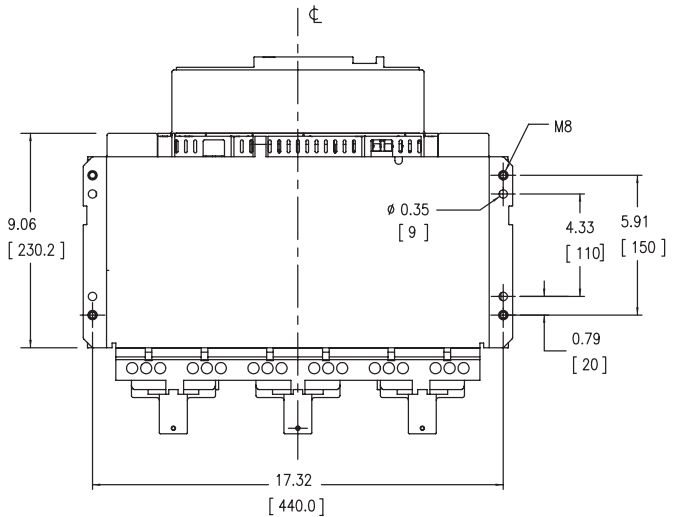
Rated Current	Dimension A
max. 1600 A	0.39 [10]
max. 2000 A	0.59 [15]
max. 3000 A	1.18 [30]
C-class always	1.18 [30]



Rear view



(1) = Slots 0.2 [5] for insulation barriers



# Low Voltage Circuit Breaker

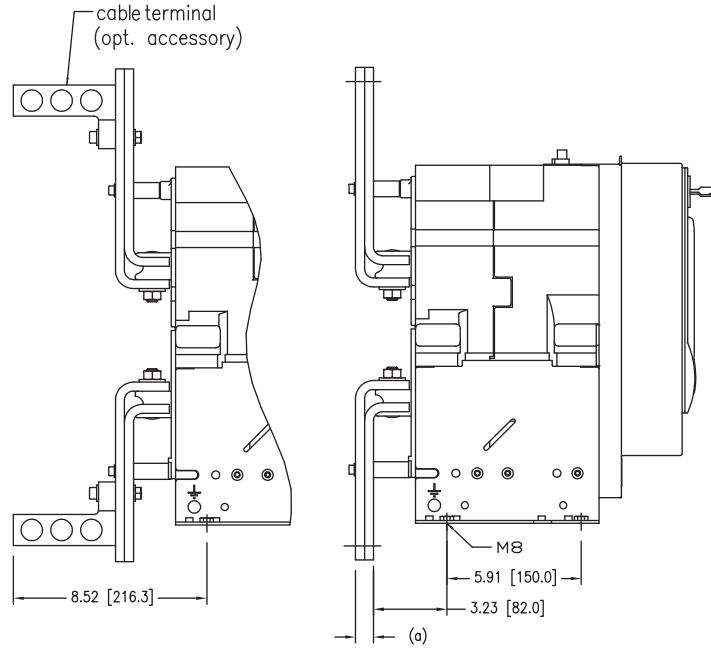
## UL489 Fixed-mount Breaker

*Dimensions*

Frame Size 2

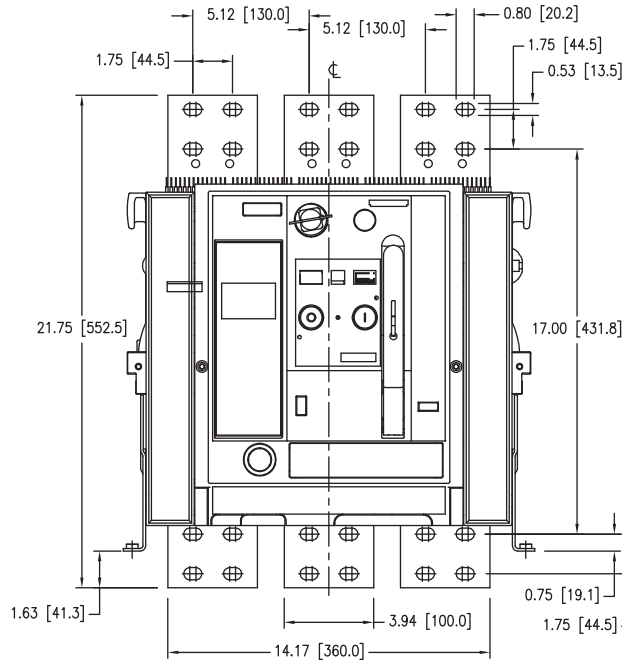
Front Connectors

**LH side view**



Rated Current	Dimension A
max. 1600 A	0.39 [10]
max. 2000 A	0.79 [20]
max. 2500 A	0.79 [20]

**Front view**



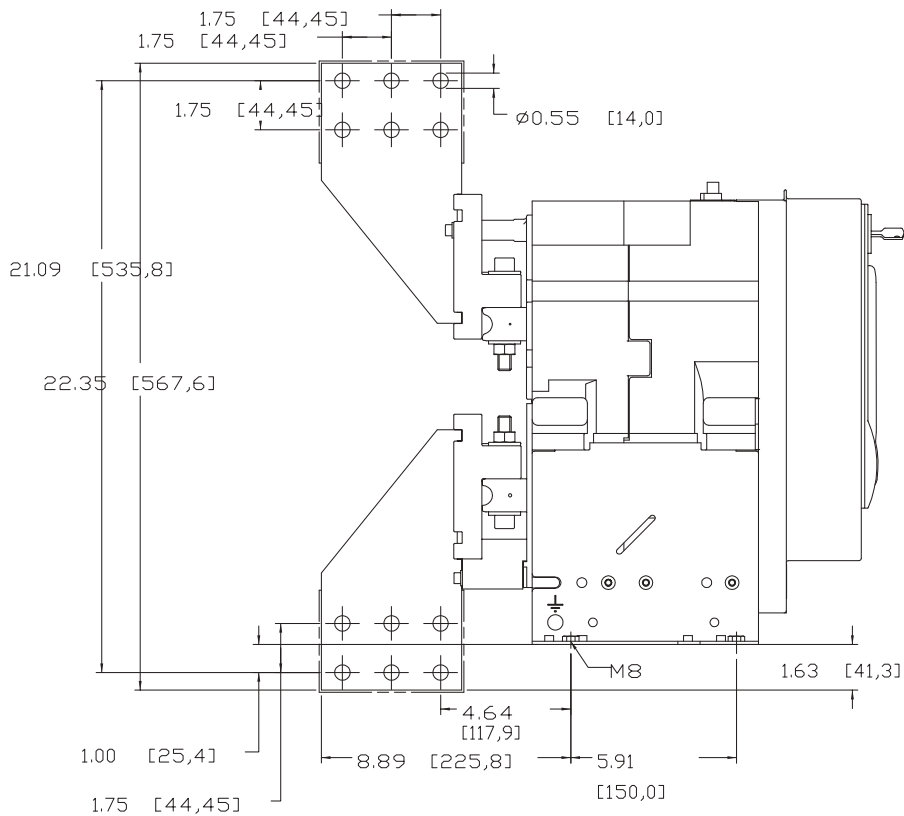
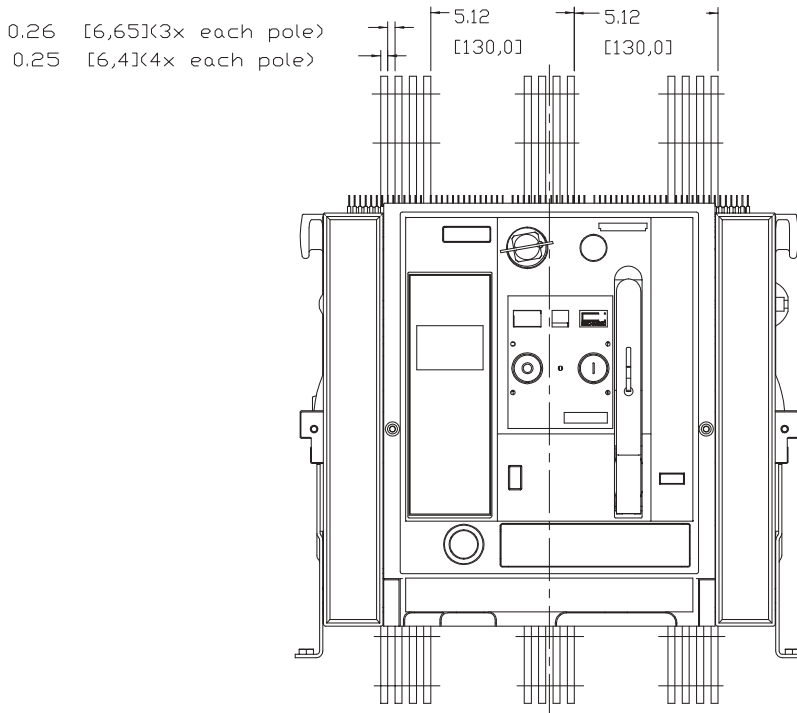
# Low Voltage Circuit Breaker

## UL489 Fixed-mount Breaker

*Dimensions*

Frame Size 2

3000A Front Connectors

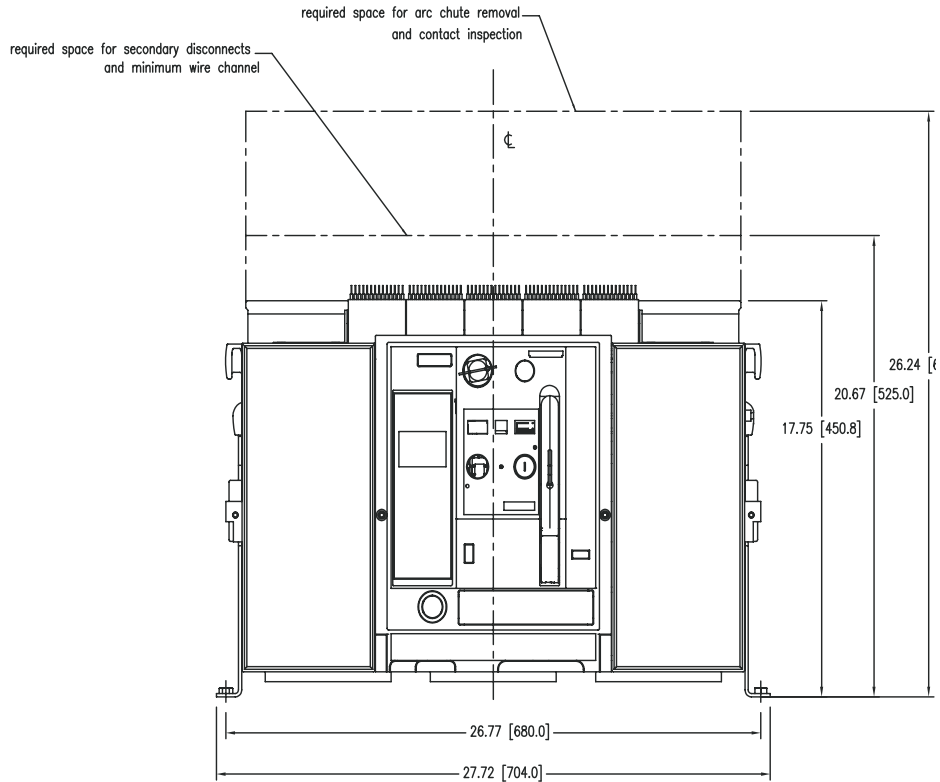


# Low Voltage Circuit Breaker

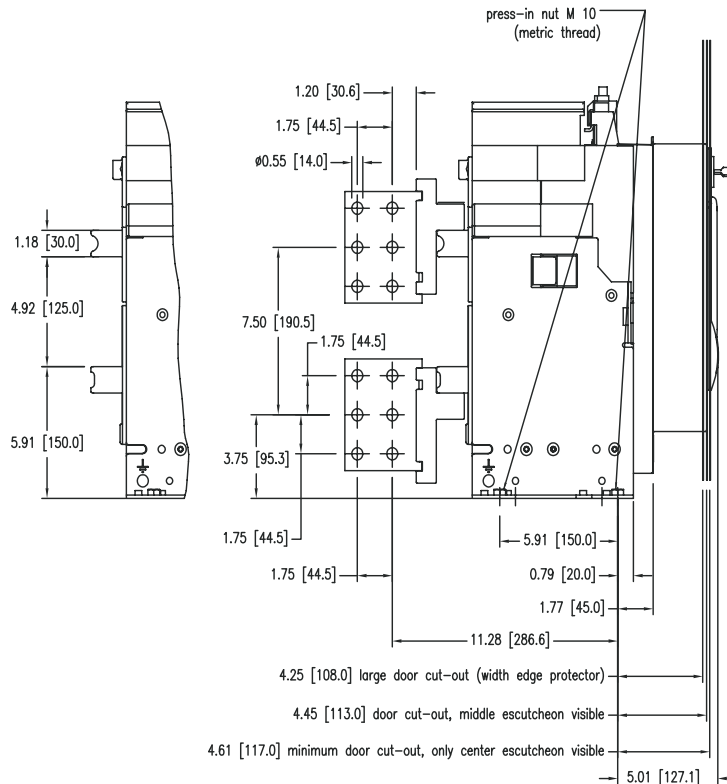
## UL489 Fixed-mount Breaker

Frame Size 3

*Dimensions*



LH side view



# Low Voltage Circuit Breaker

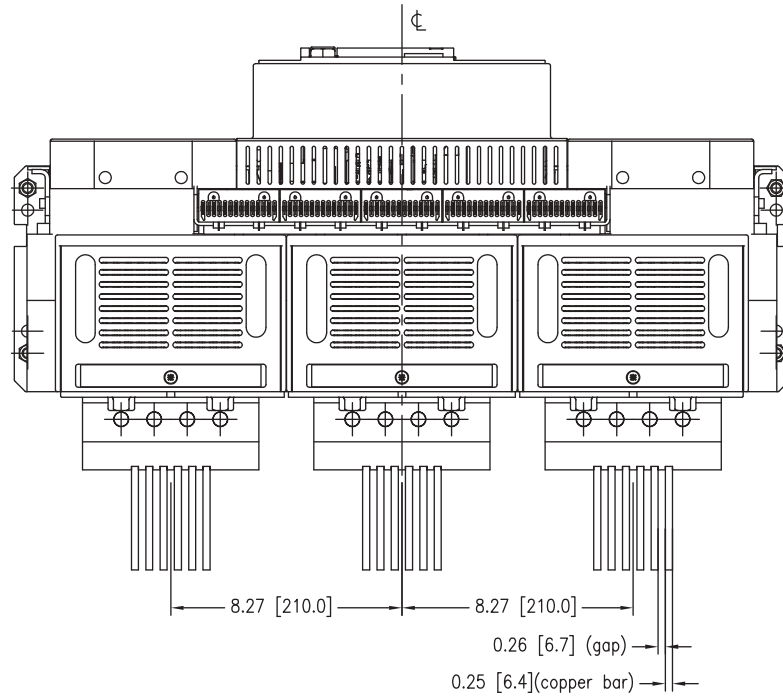
## UL489 Fixed-mount Breaker

Frame Size 3

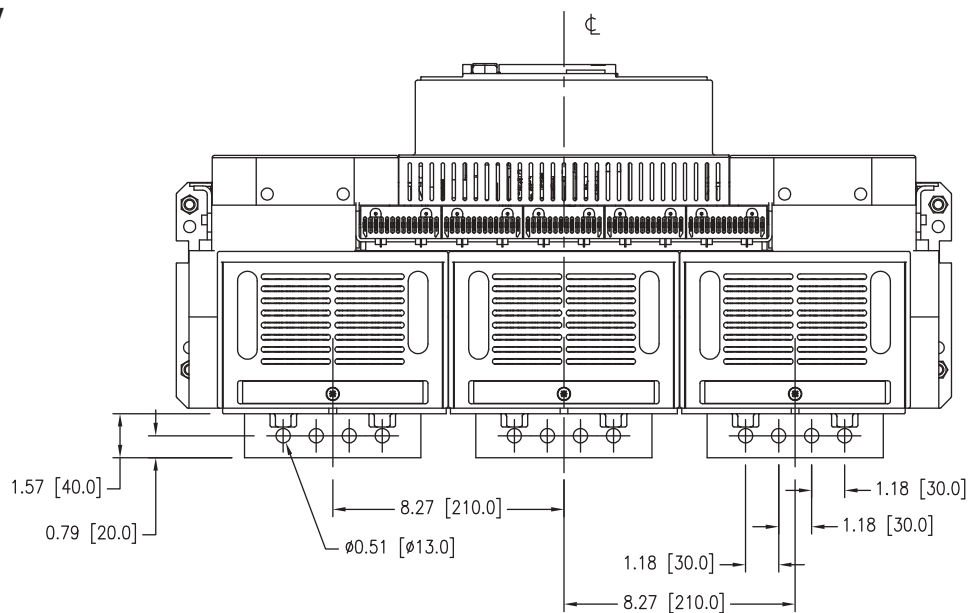
Vertical Connectors and Horizontal Stabs

*Dimensions*

Top view



Top view



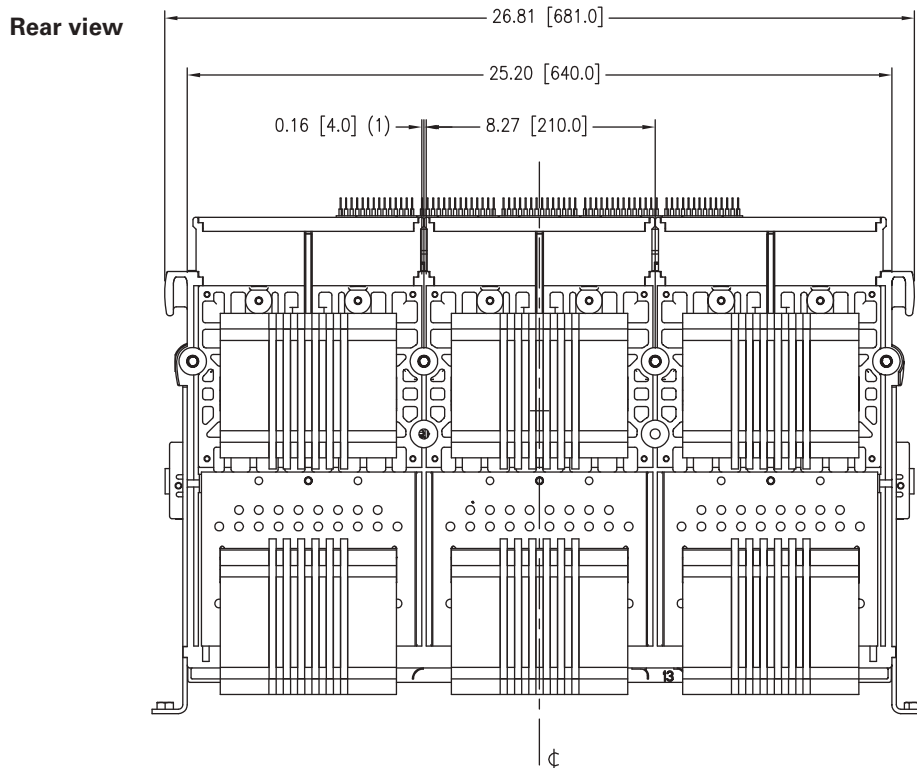
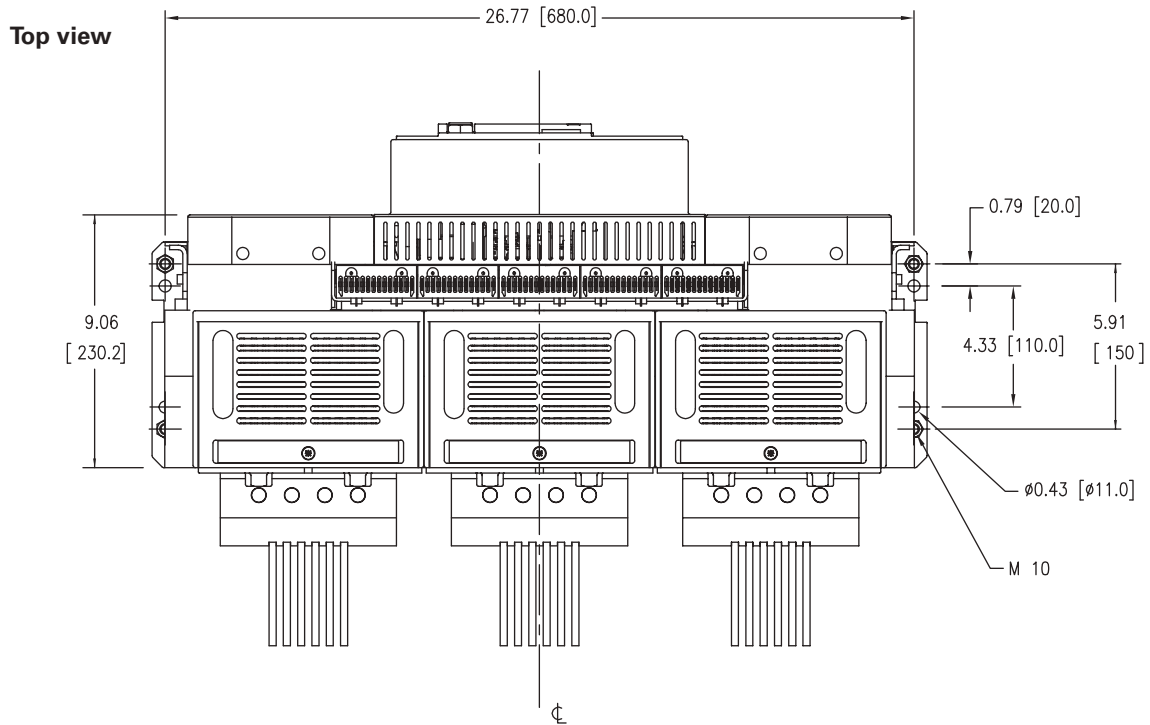


# Low Voltage Circuit Breaker

## UL489 Fixed-mount Breaker

Frame Size 3

*Dimensions*



(1) = Slots 0.2 [5] for insulation barriers

# Low Voltage Circuit Breaker

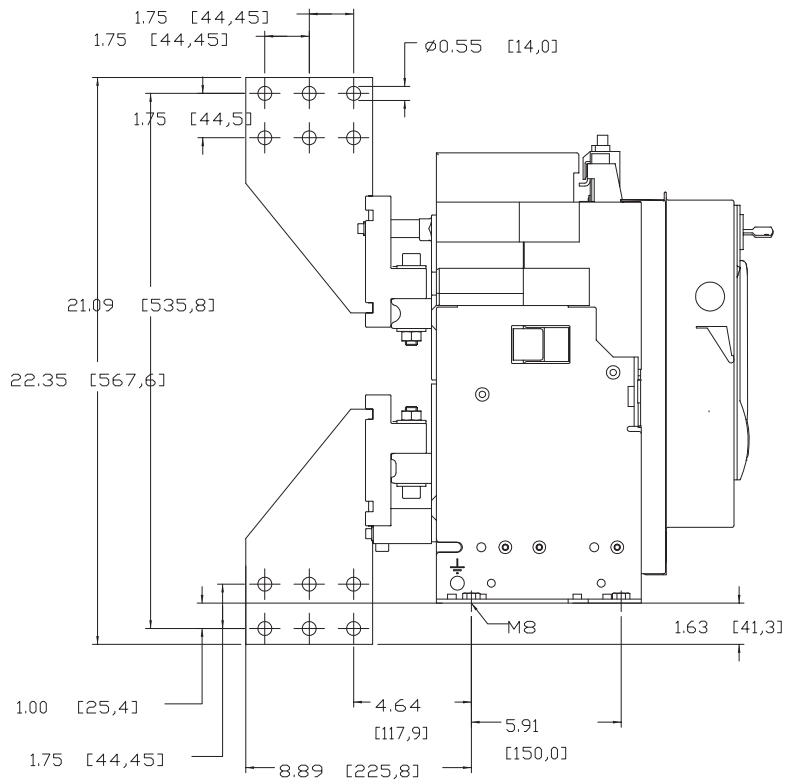
## UL489 Fixed-mount Breaker

*Dimensions*

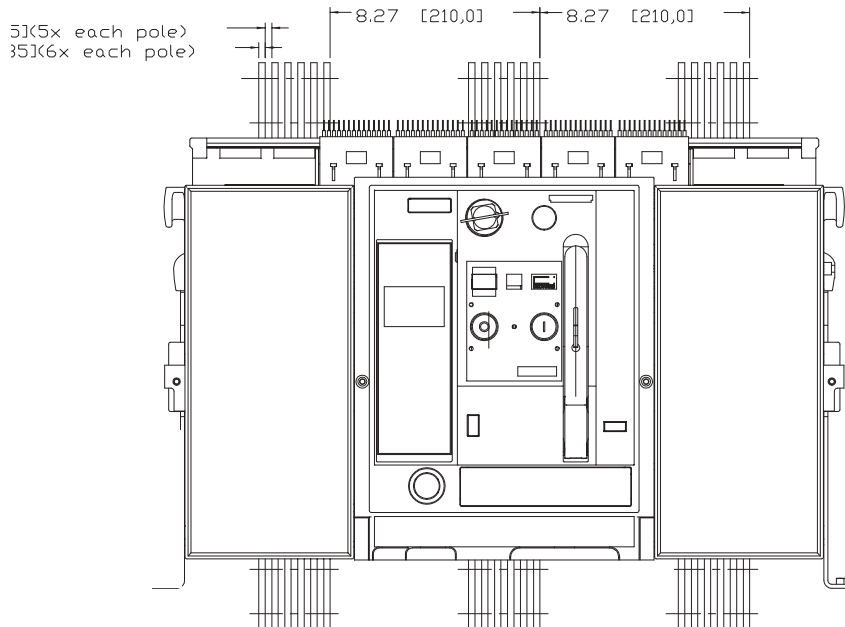
Frame Size 3

5000A Vertical Connectors

### LH side view



### Front view



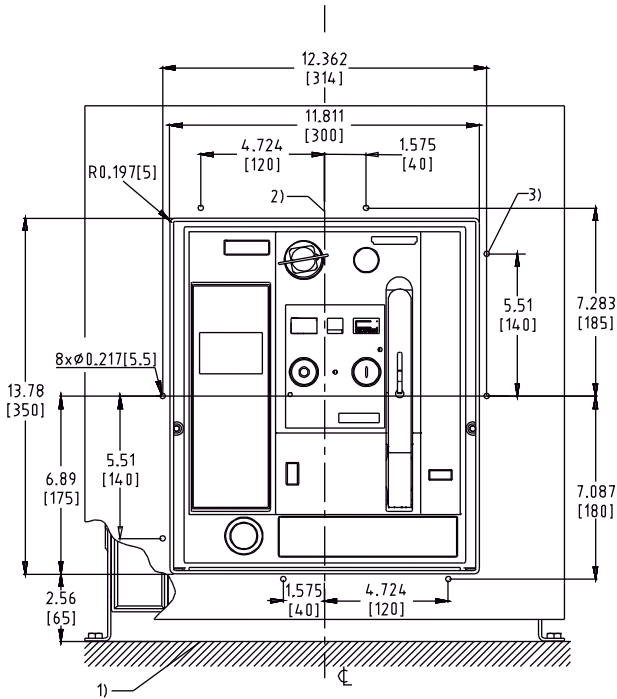
# Low Voltage Circuit Breaker

## UL489 Fixed-mount Breaker

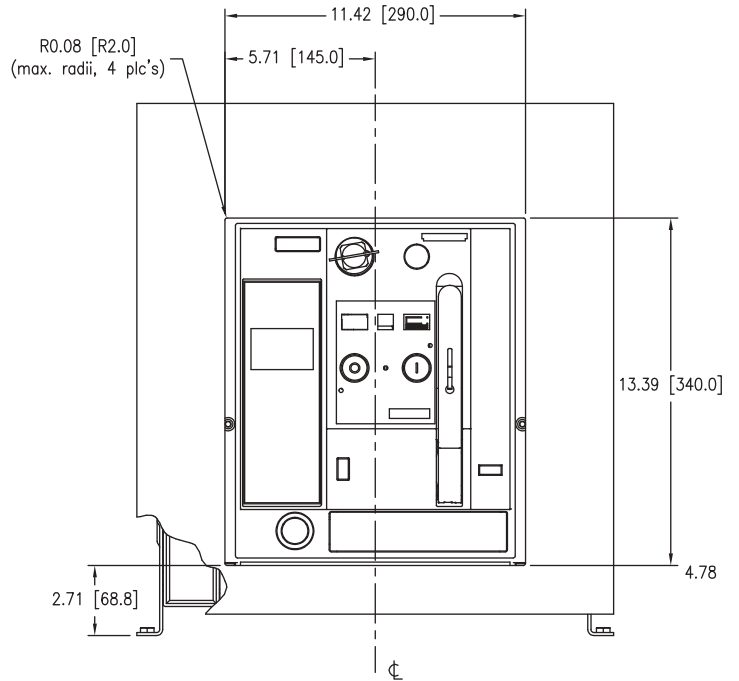
*Dimensions*

Frame Size 2 and 3

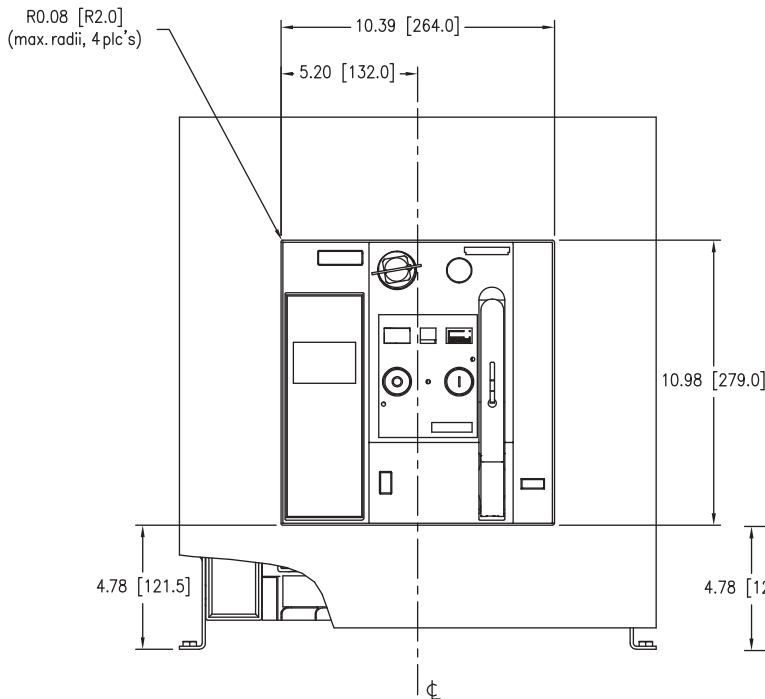
Door Cut-outs



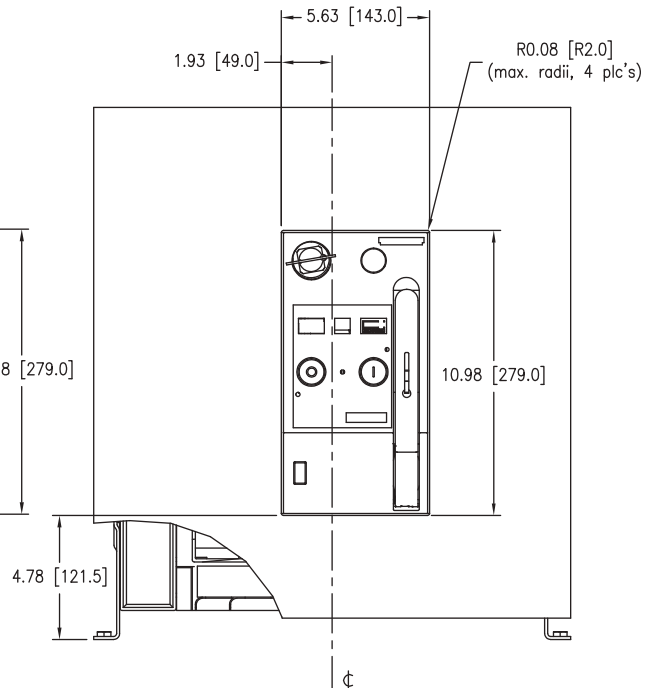
Door cut-out and mounting holes for Door Sealing Frame



Door cut-out (after mounting Door Sealing Frame)



Door cut-out (Middle escutcheon visible)



Minimal door cut-out (Only center escutcheon visible)

- 1) Breaker mounting surface.
- 2) Center of breaker front panel.
- 3) Drill eight holes for mounting door sealing frame.

6

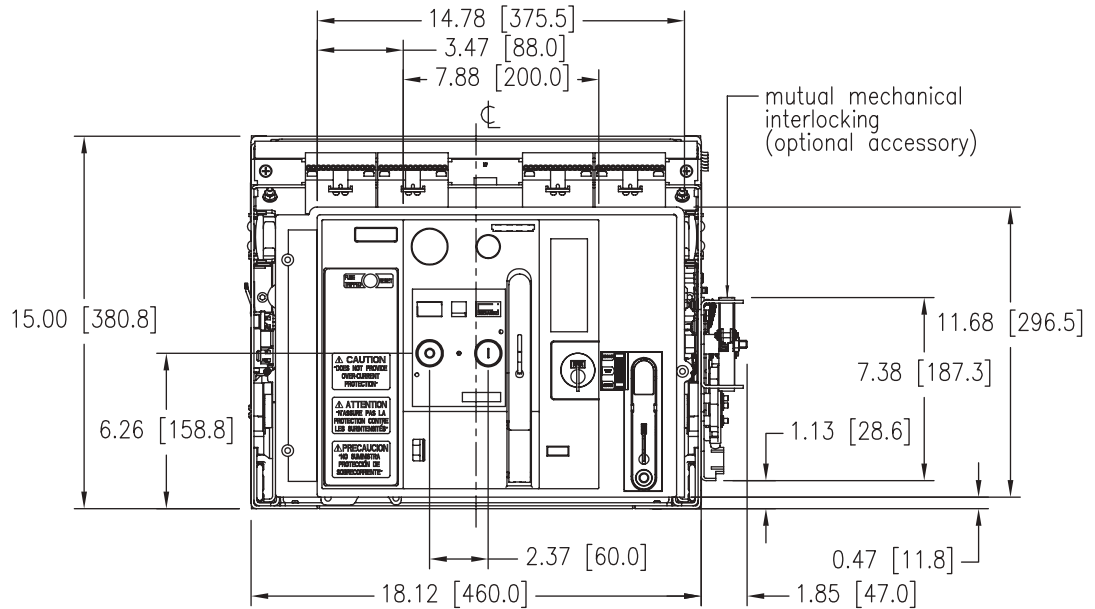
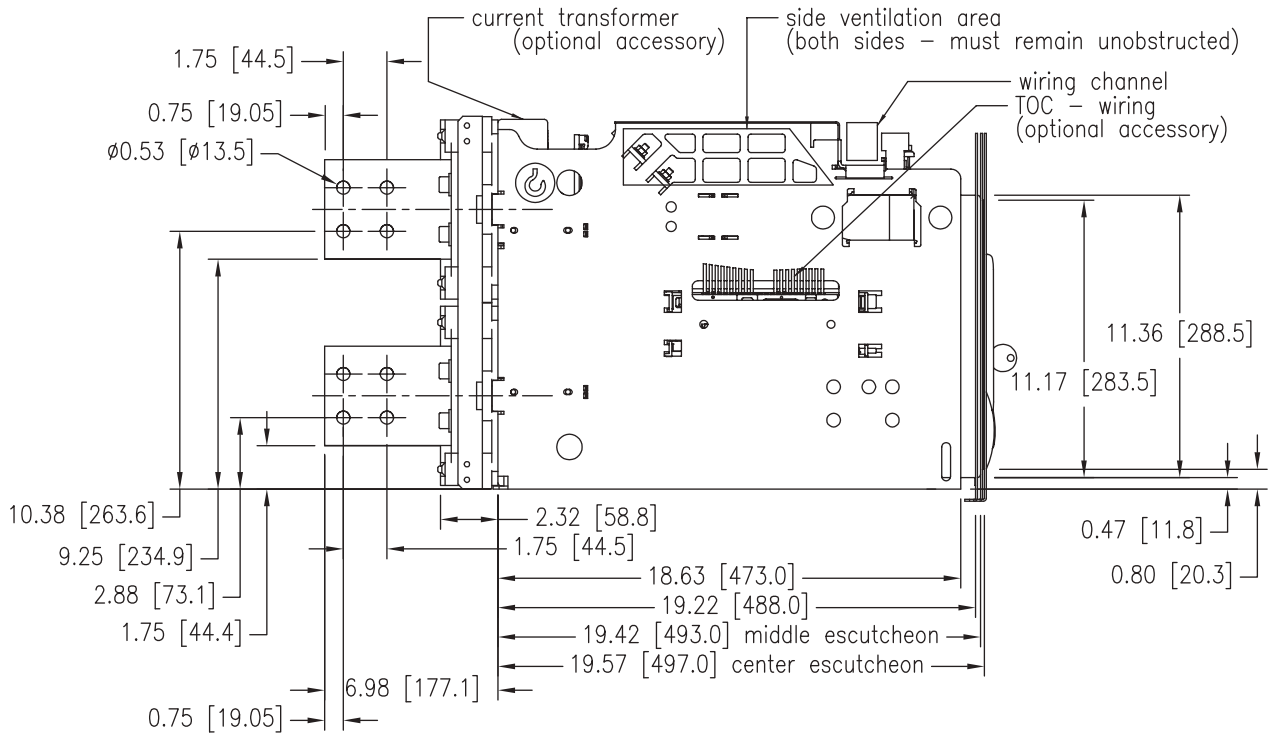
W1 POWER  
CIRCUIT BREAKERS

# Low Voltage Circuit Breaker

## UL489 Draw-out Breaker

Frame Size 1

*Dimensions*



# Low Voltage Circuit Breaker

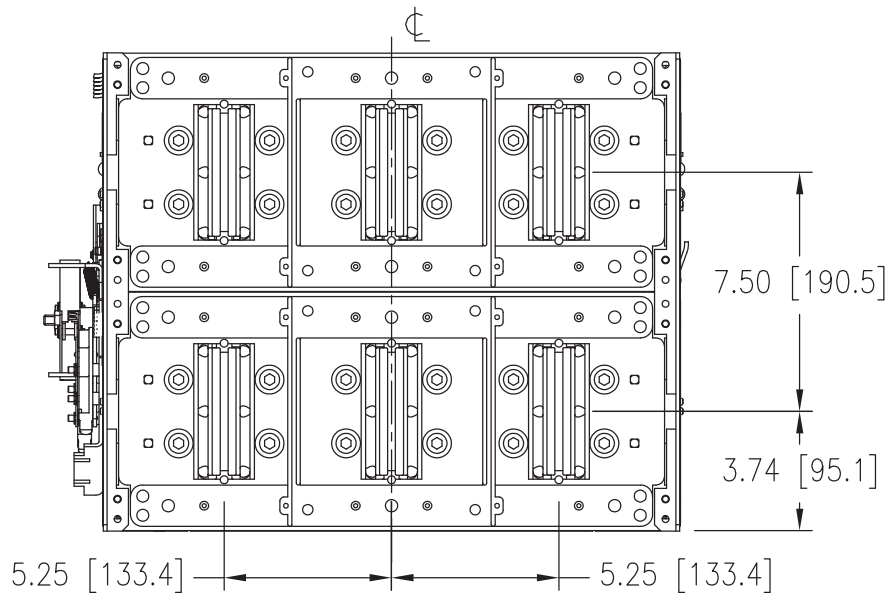
## UL489 Draw-out Breaker

Frame Size 1

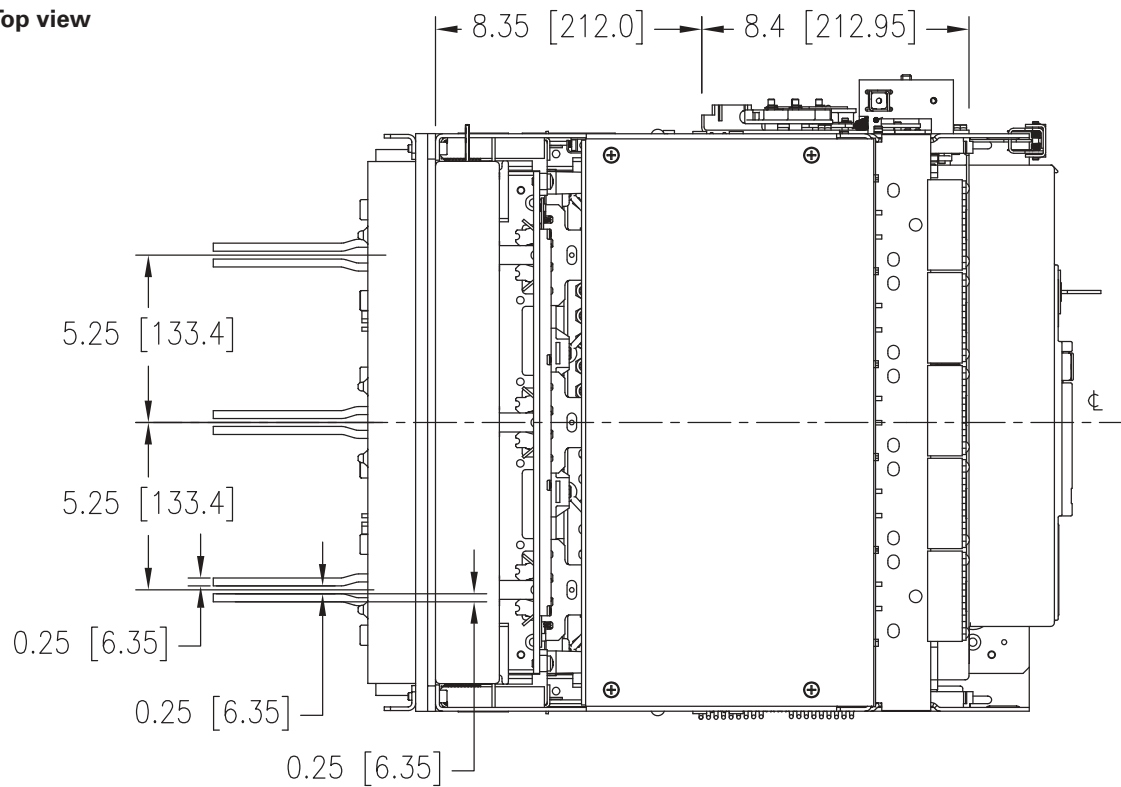
Vertical Connectors

*Dimensions*

Rear view



Top view



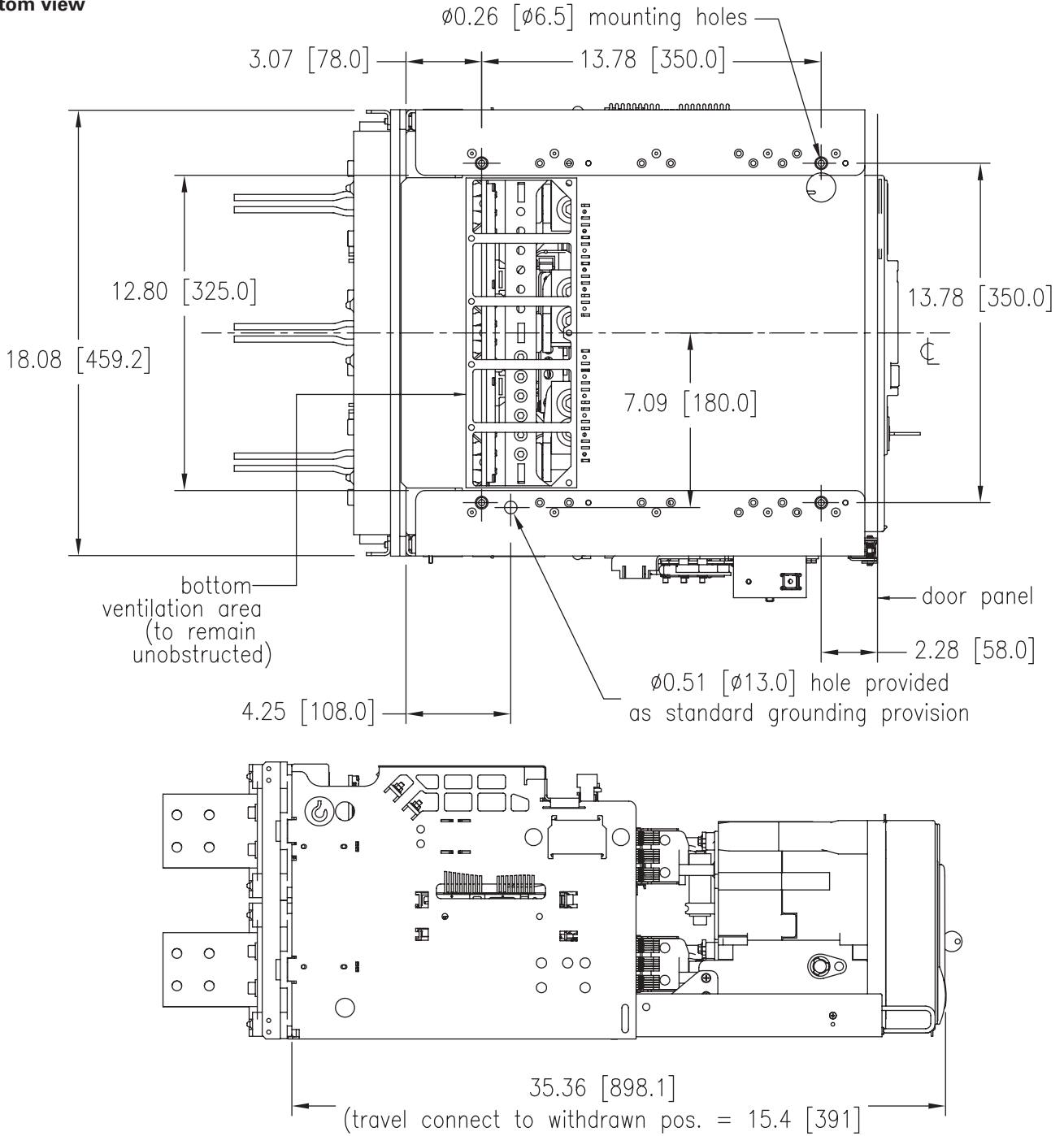
# Low Voltage Circuit Breaker

## UL489 Draw-out Breaker

*Dimensions*

Frame Size 1

Bottom view



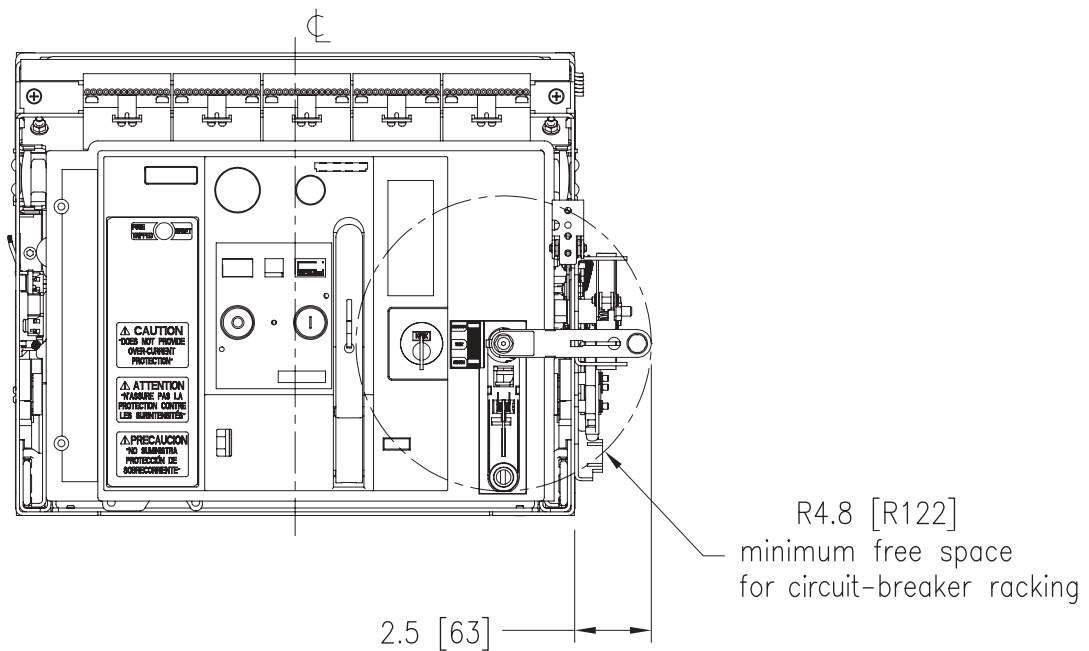
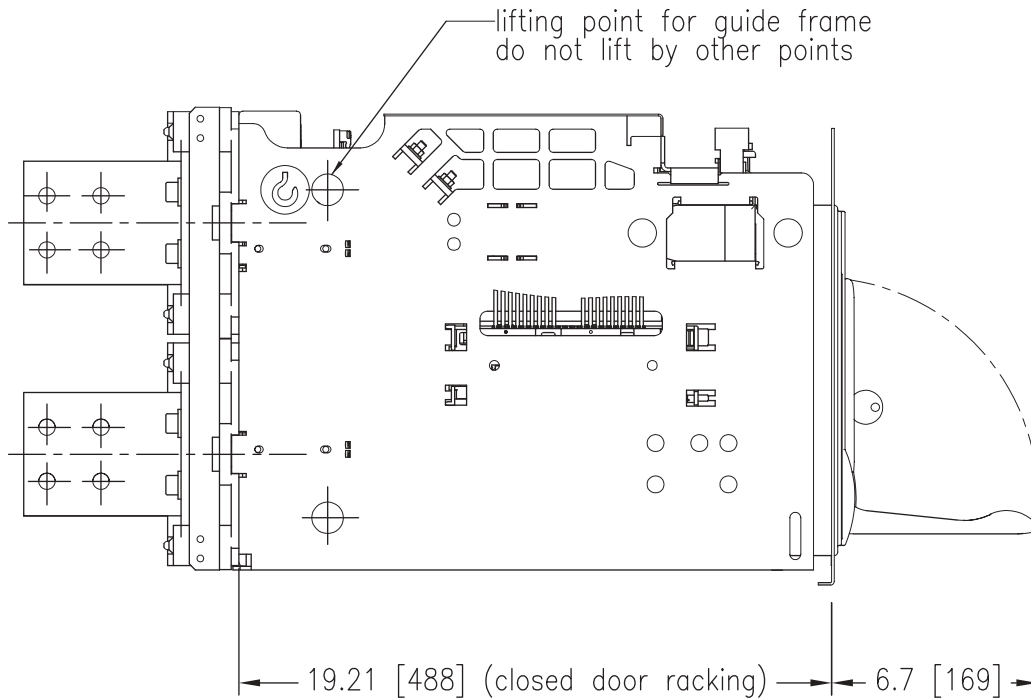
# Low Voltage Circuit Breaker

## UL489 Draw-out Breaker

Frame Size 1

Charging and Racking

*Dimensions*





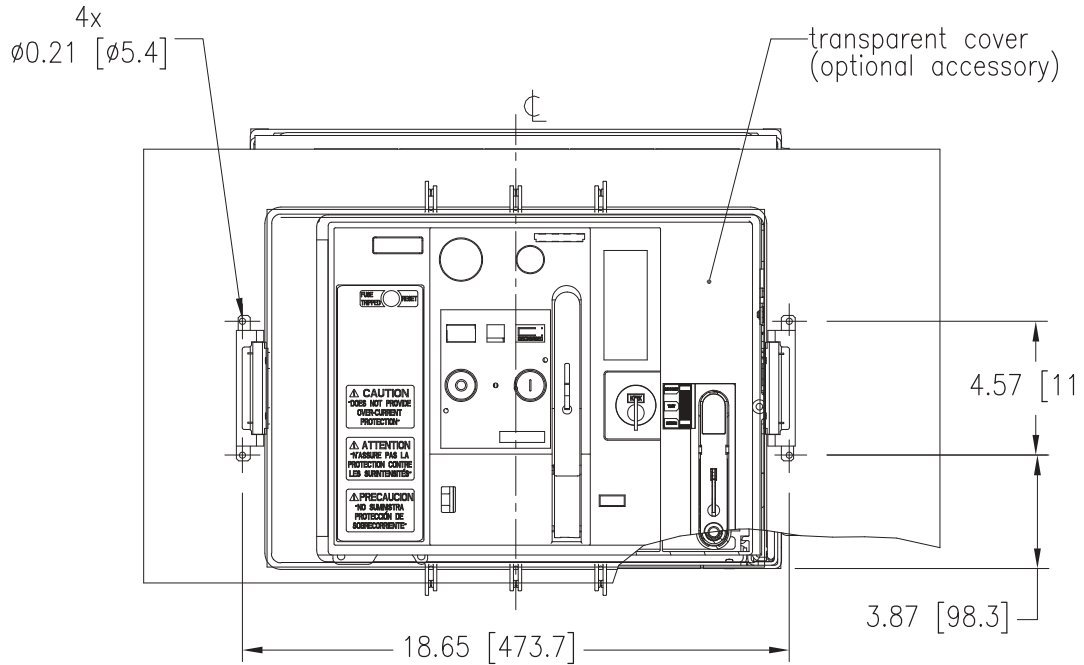
# Low Voltage Circuit Breaker

## UL489 Draw-out Breaker

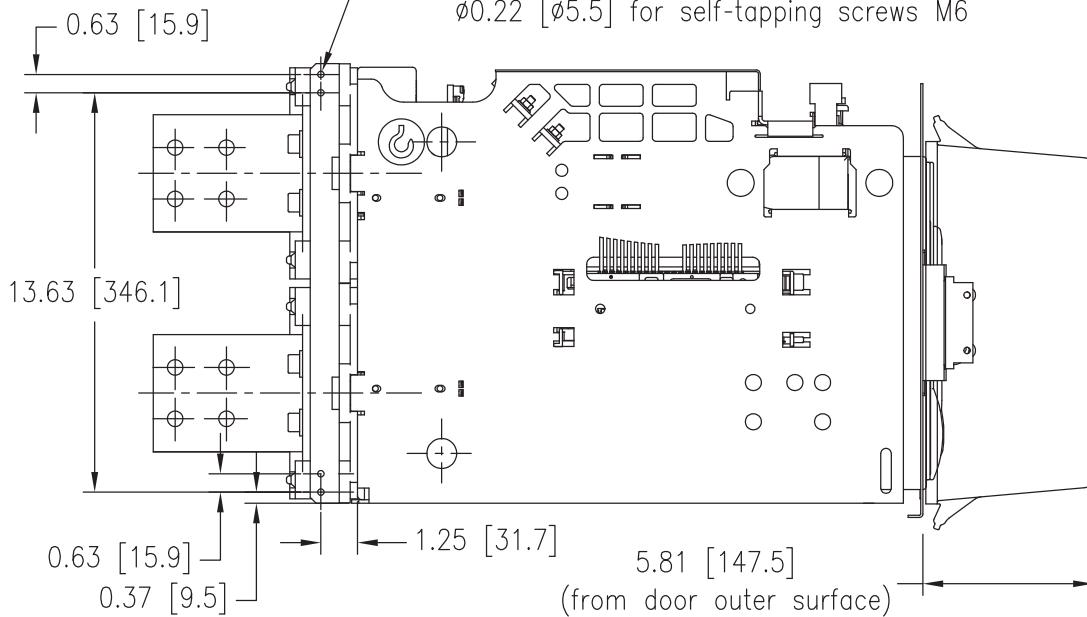
Frame Size 1

Plexiglass Cover

*Dimensions*



4 holes each side, as alternative rear fixing points,  
 may be used for attaching cradle to switchgear  
 $\phi 0.22$  [ $\phi 5.5$ ] for self-tapping screws M6



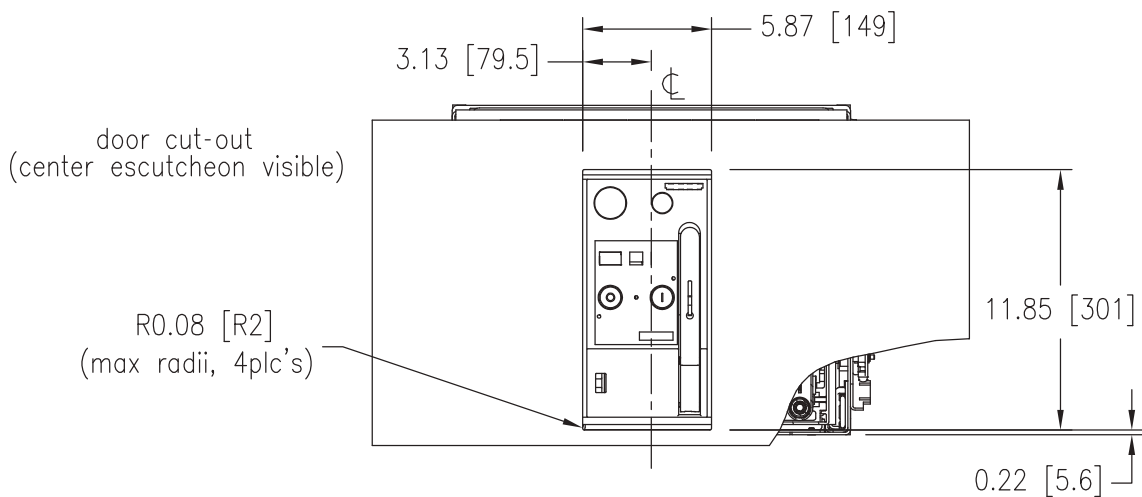
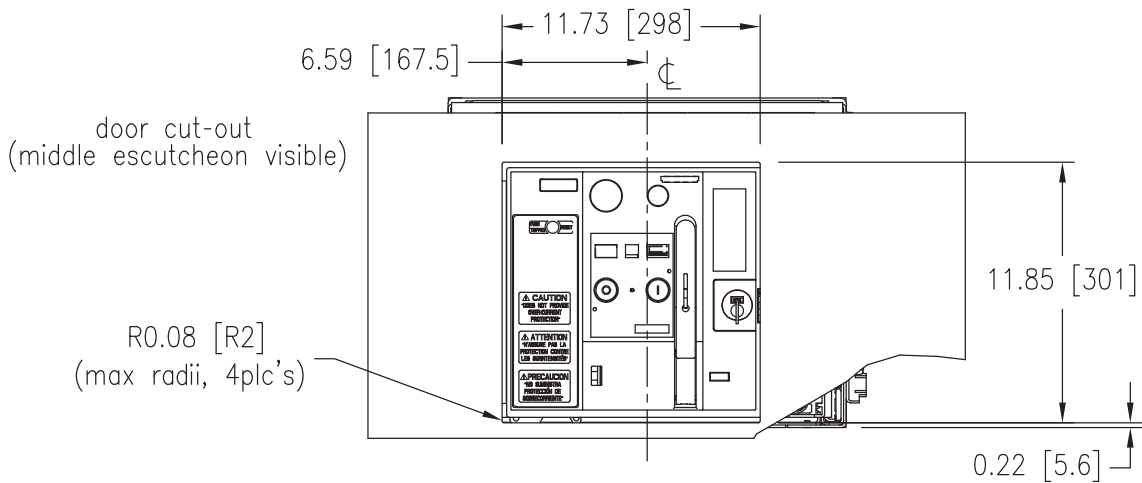
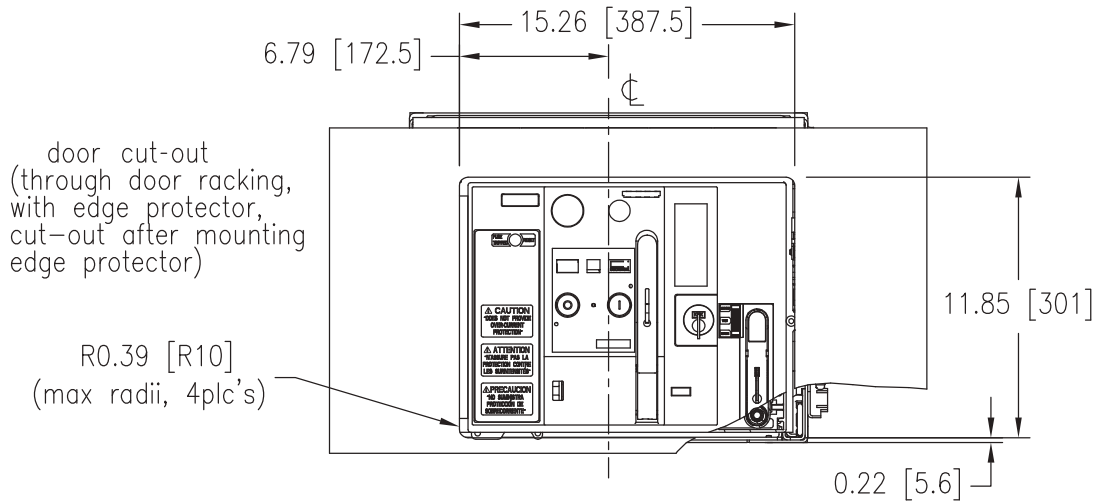
# Low Voltage Circuit Breaker

## UL489 Draw-out Breaker

*Dimensions*

Frame Size 1

Door Cut-outs

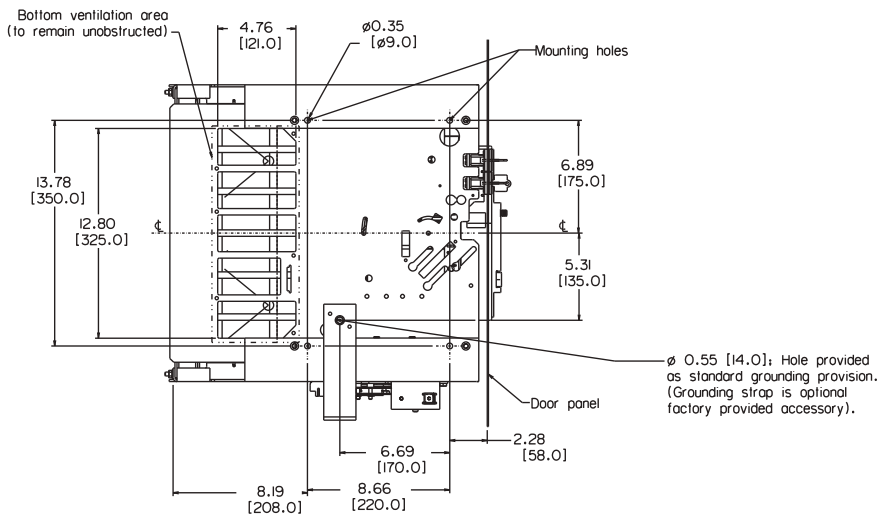
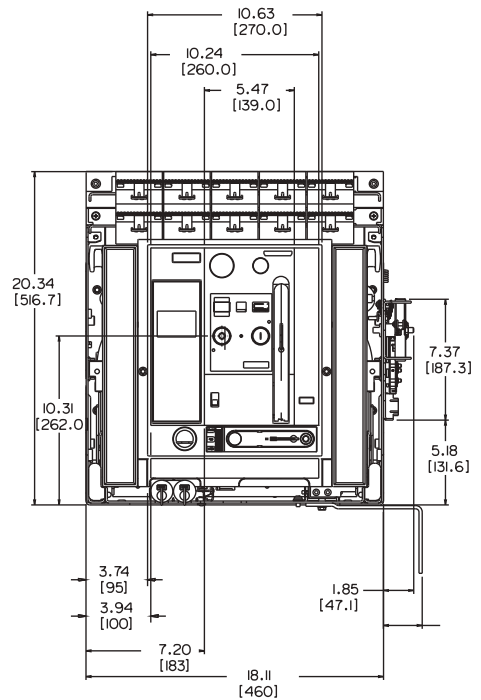
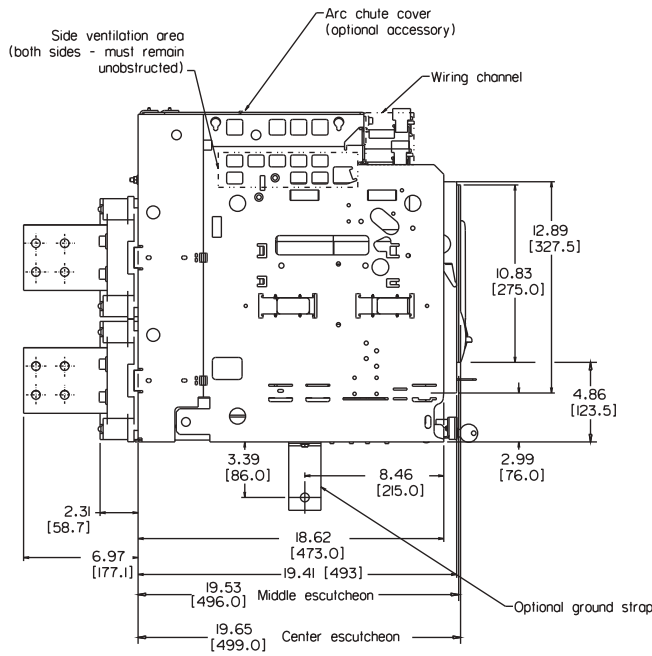
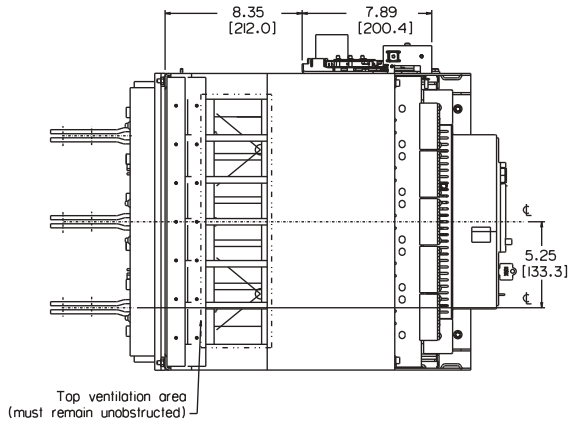


# Low Voltage Circuit Breaker

## UL489 Draw-out Breaker

Frame Size 2

*Dimensions*



# Low Voltage Circuit Breaker

## UL489 Draw-out Breaker

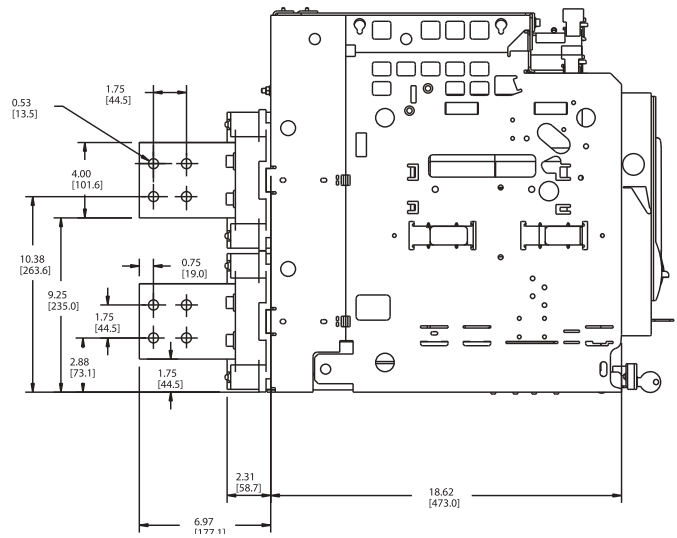
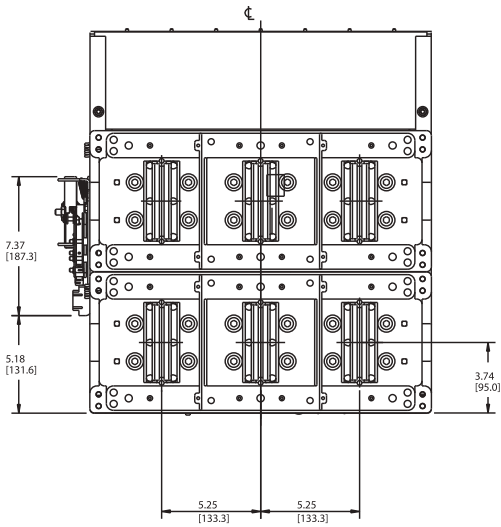
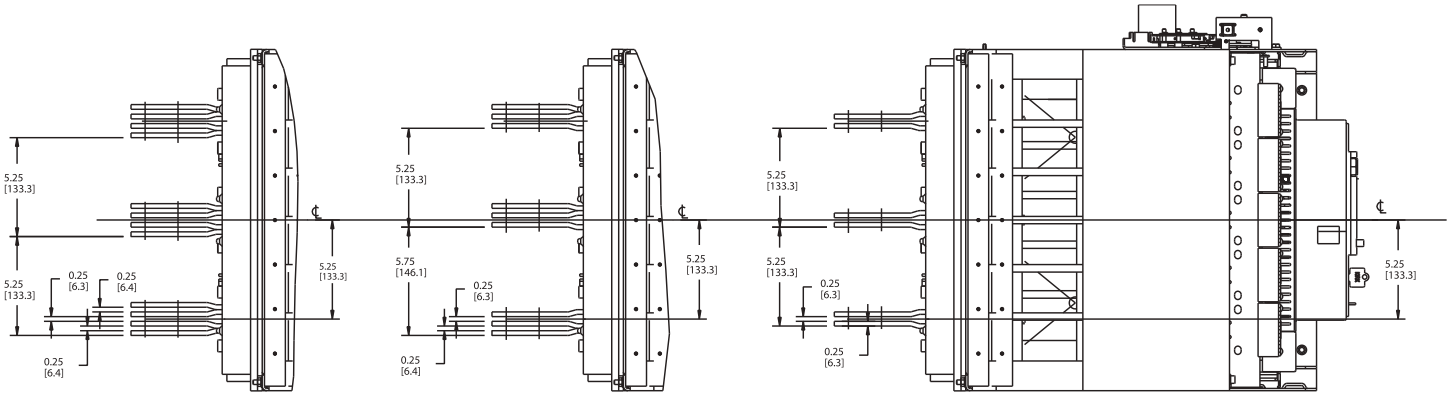
Frame Size 2

*Dimensions*

2500/3000A

2000A

800/1200/1600A



6

WI POWER  
CIRCUIT BREAKERS

# Low Voltage Circuit Breaker

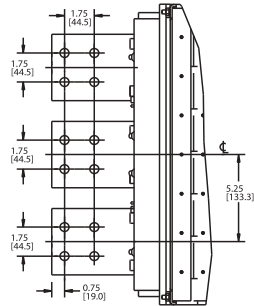
## UL489 Draw-out Breaker

*Dimensions*

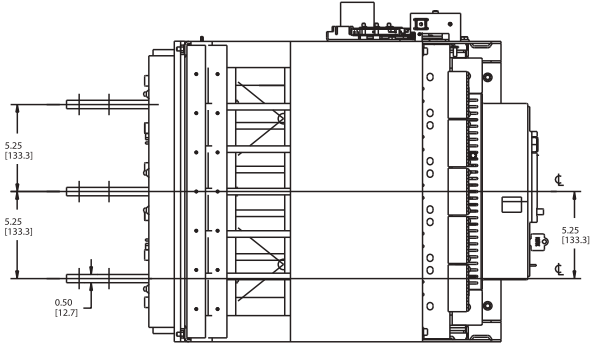
Frame Size 2

Vertical Connectors and Optional Horizontal Connectors

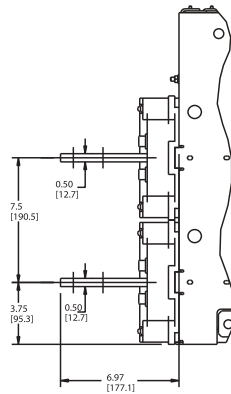
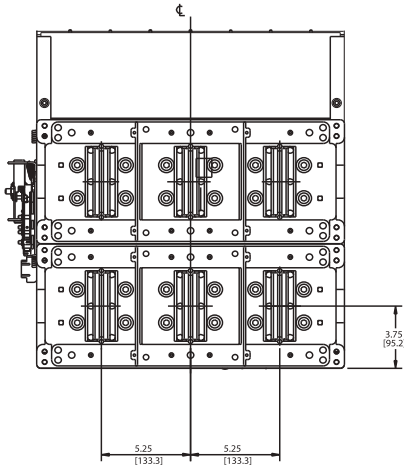
**Horizontal Main Bus Connectors**



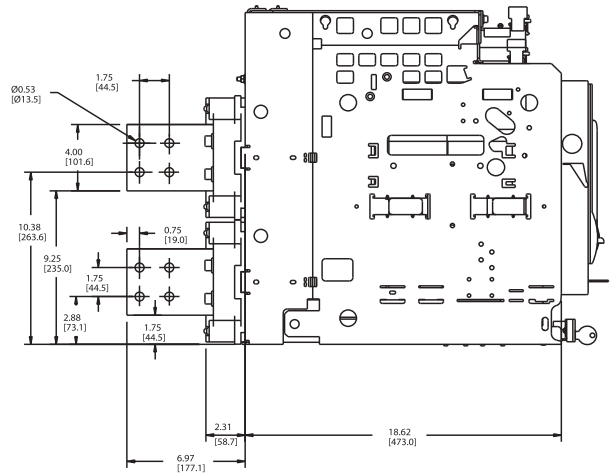
**Vertical Main Bus Connectors**



**Horizontal Main Bus Connectors**



**Vertical Main Bus Connectors**



6  
W1 POWER  
CIRCUIT BREAKERS

**NOTE:**

Rotatable main bus connectors are only available under the following conditions:

- (1) Only acceptable for FS II 800A-2000A Frame Sizes
- (2) Only acceptable for short circuit ratings of 85KAIC or less

# Low Voltage Circuit Breaker

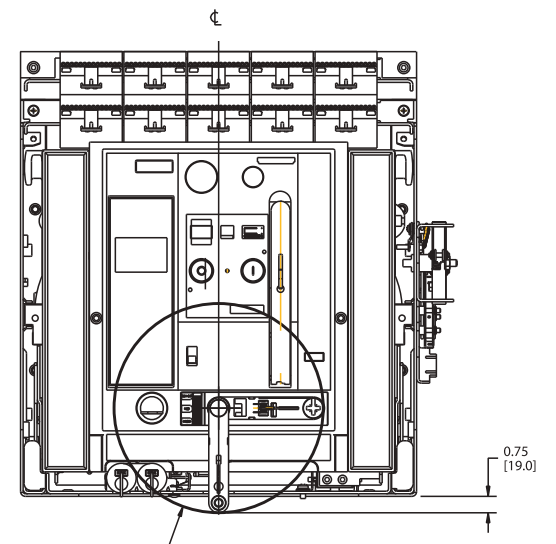
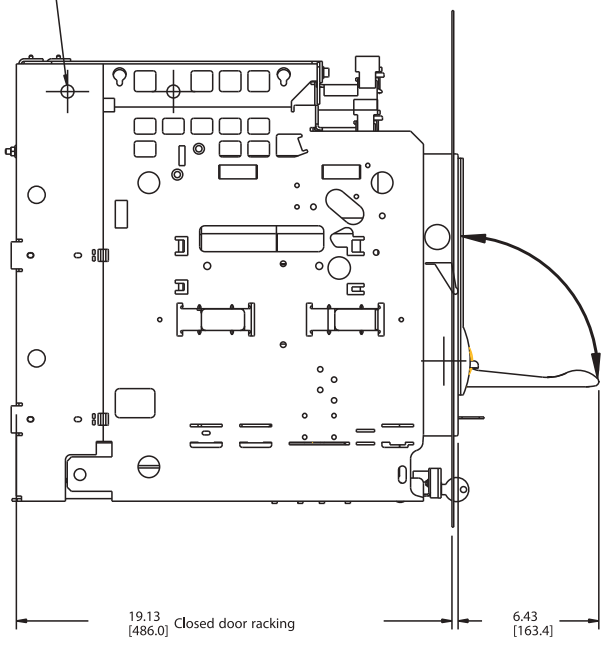
## UL489 Draw-out Breaker

*Dimensions*

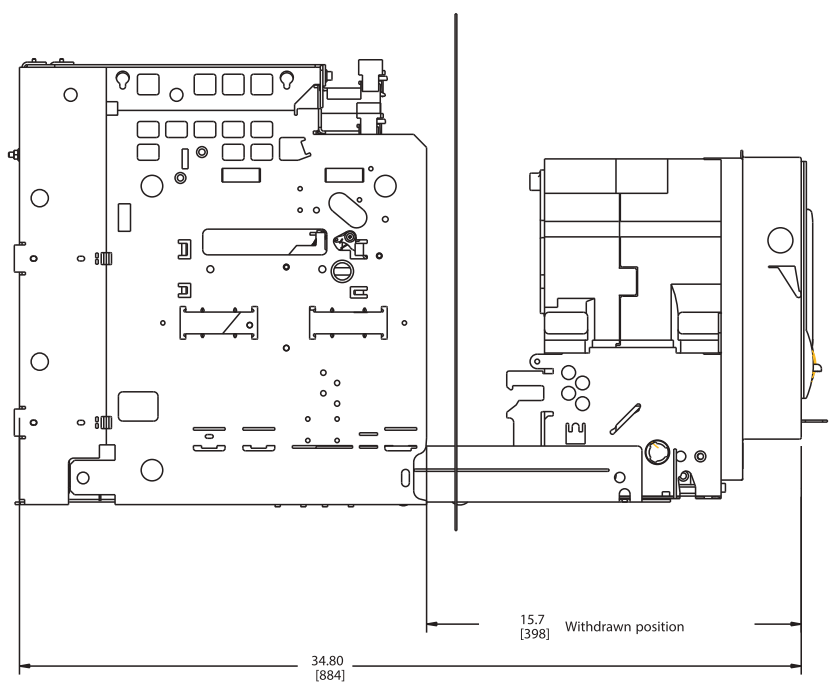
Frame Size 2

Charging, Racking and Draw-out

Lifting Point (Cradle)  
Do not lift by other  
means.



Minimum free space for  
breaker racking

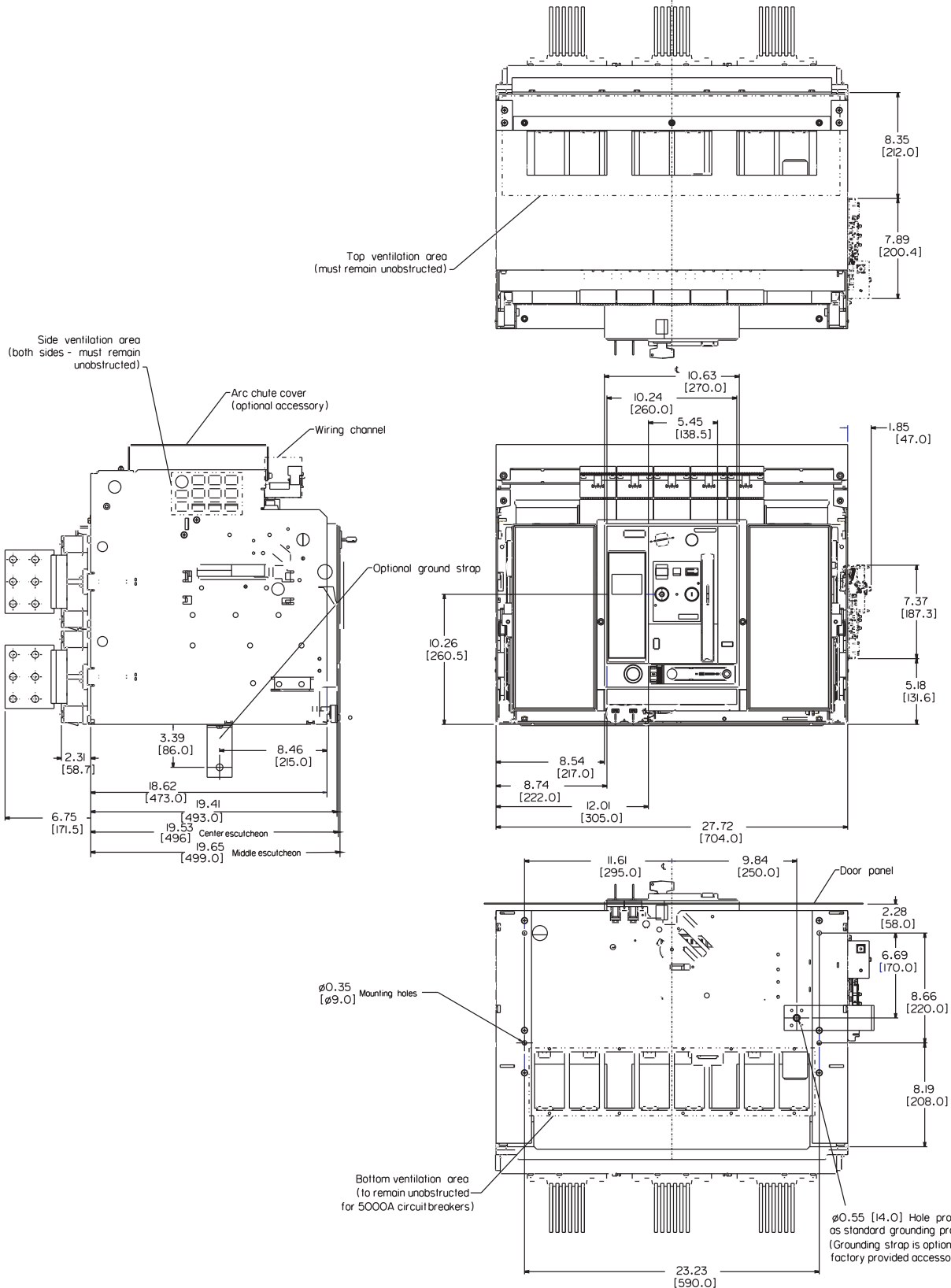


# Low Voltage Circuit Breaker

## UL489 Draw-out Breaker

Frame Size 3

*Dimensions*





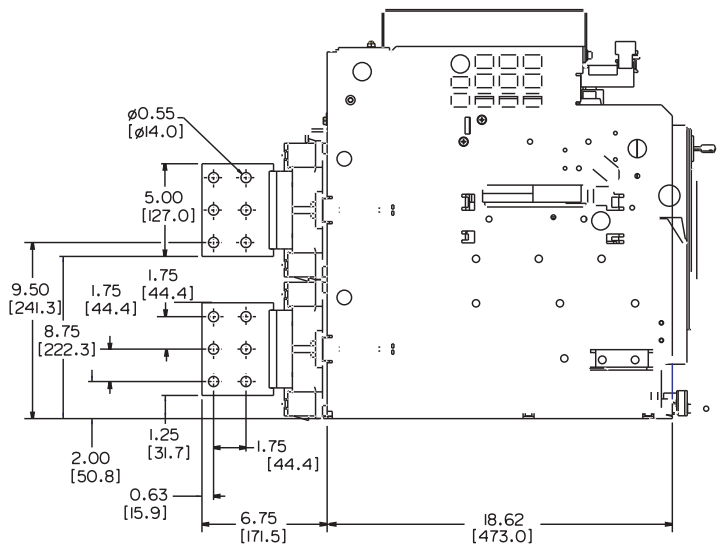
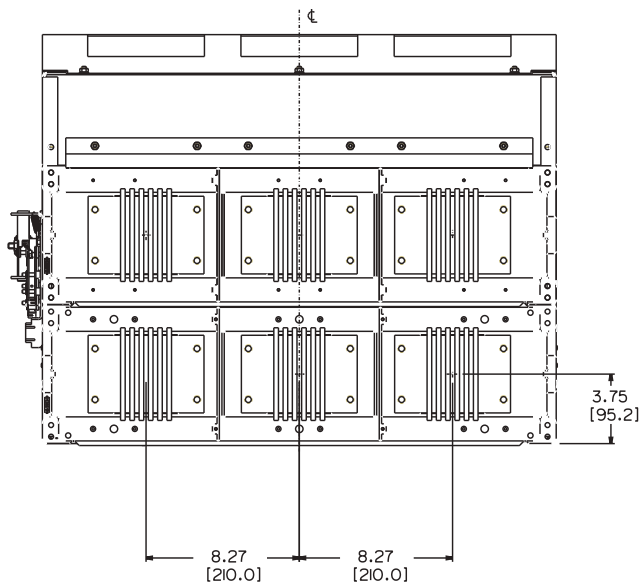
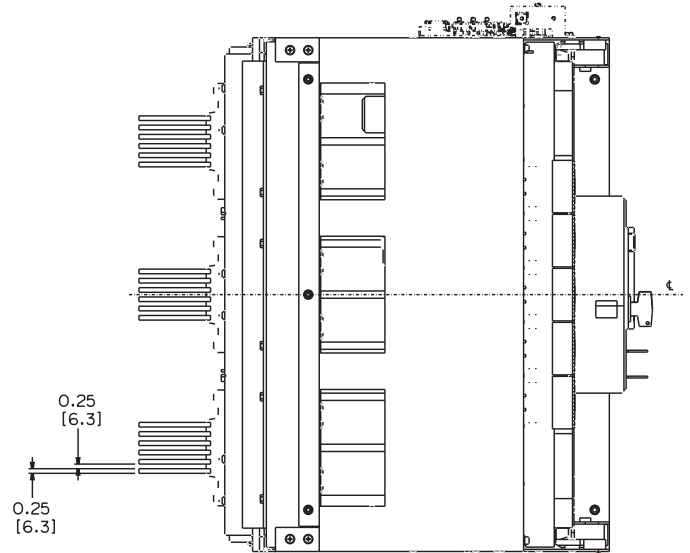
# Low Voltage Circuit Breaker

## UL489 Draw-out Breaker

Frame Size 3

Vertical Connectors

*Dimensions*



6

W/ POWER  
CIRCUIT BREAKERS

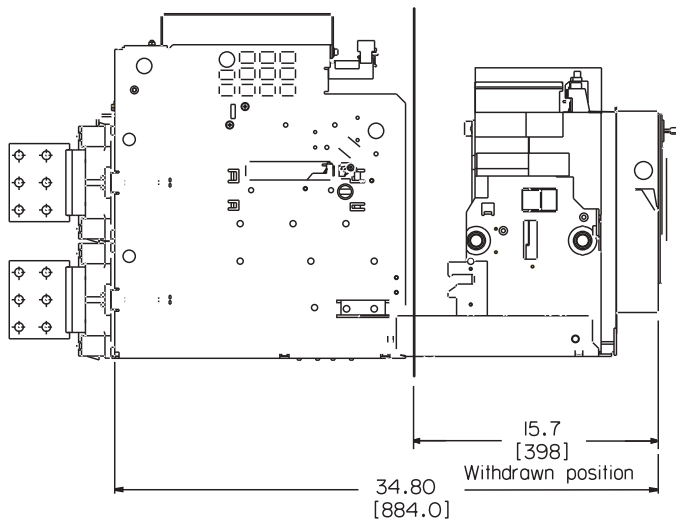
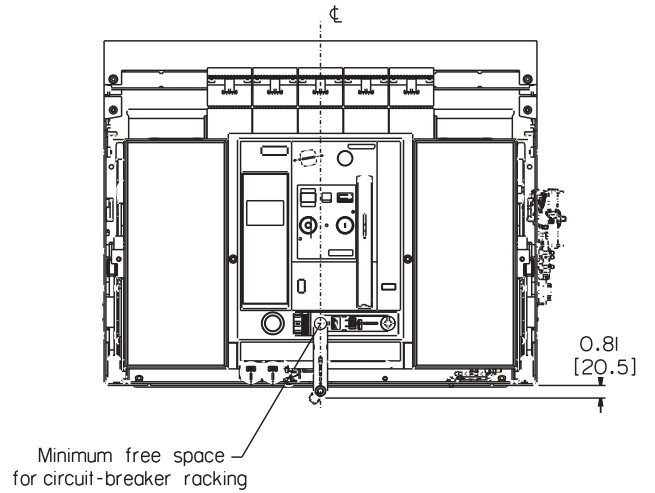
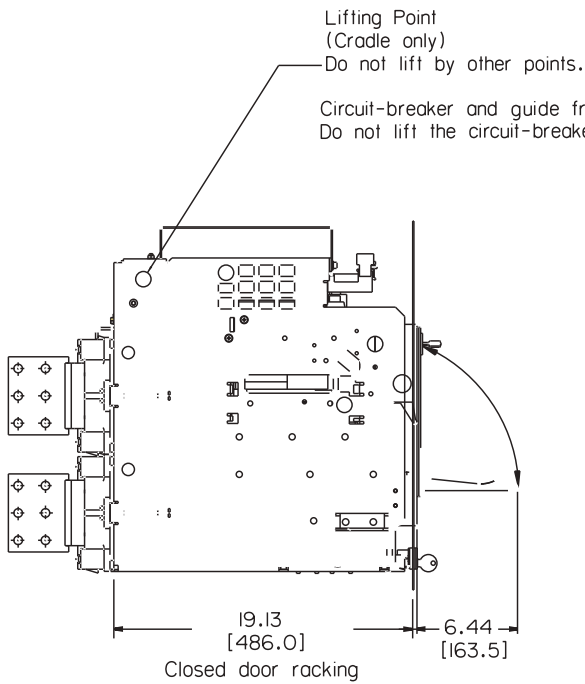
# Low Voltage Circuit Breaker

## UL489 Draw-out Breaker

*Dimensions*

Frame Size 3

Charging, Racking and Draw-out



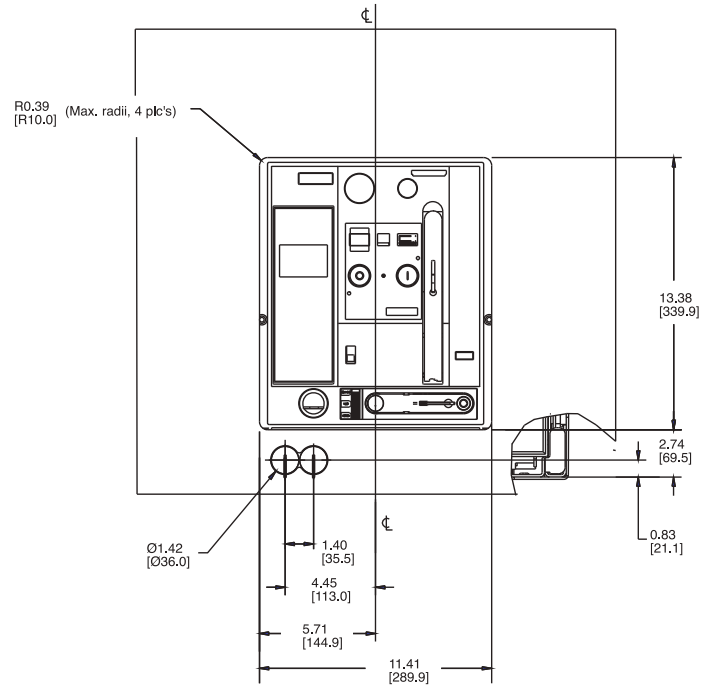
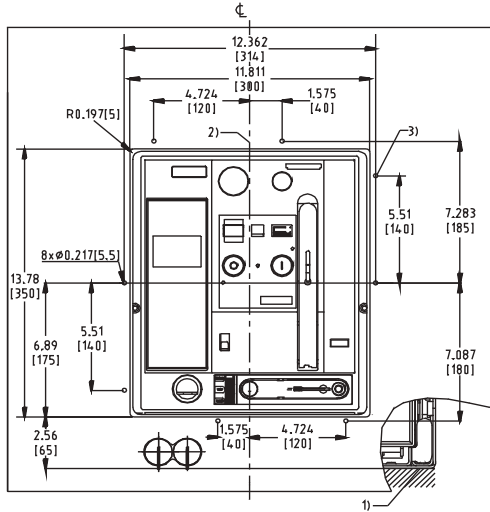
# Low Voltage Circuit Breaker

## UL489 Draw-out Breaker

Frame Size 2 and 3

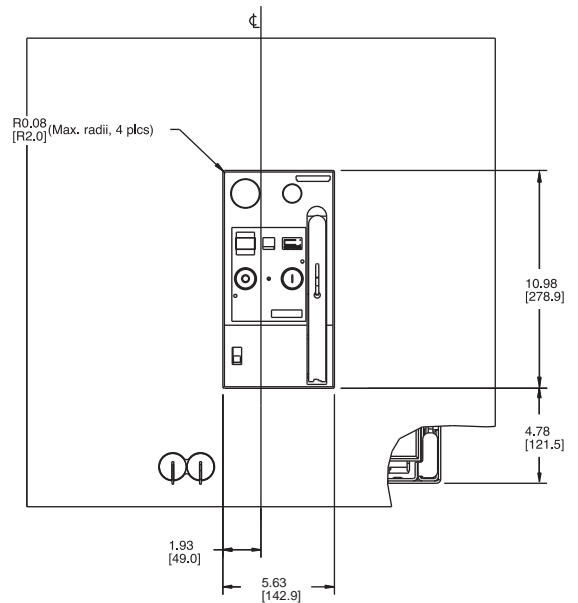
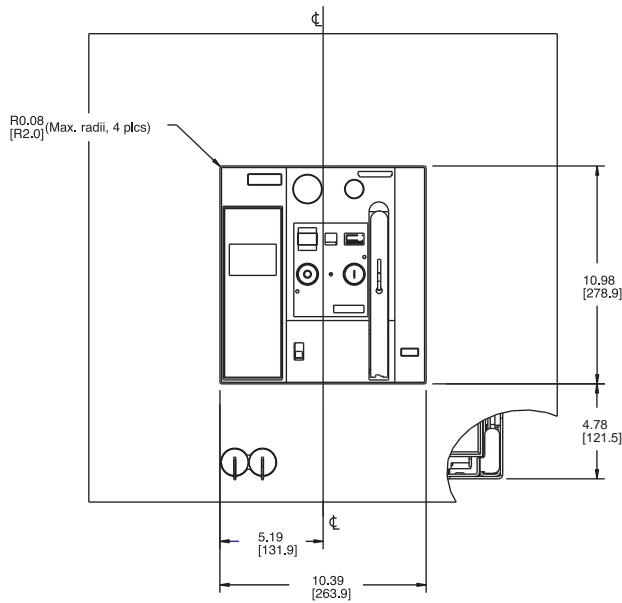
Door Cut-outs

*Dimensions*



**Door cut-out and mounting holes for Door Sealing Frame**

**Door cut-out (after mounting Door Sealing Frame)**



**Door cut-out (Middle escutcheon visible)**

**Minimal door cut-out (Only center escutcheon visible)**

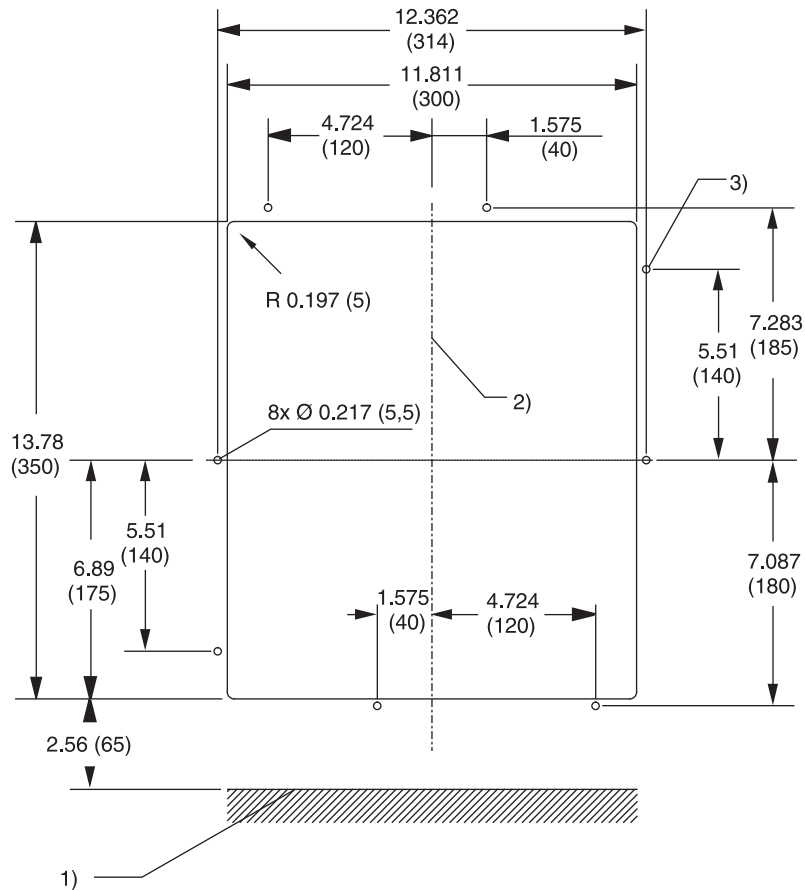
- 1) Mounting surface of the circuit breaker or cradle.
- 2) Center of breaker front panel.
- 3) Drill eight holes for mounting door sealing frame.

# Low Voltage Circuit Breaker

## UL489 Door Sealing Frame

Frame Size 2 and 3  
Door Cut-outs

*Dimensions*



6

W1 POWER  
CIRCUIT BREAKERS

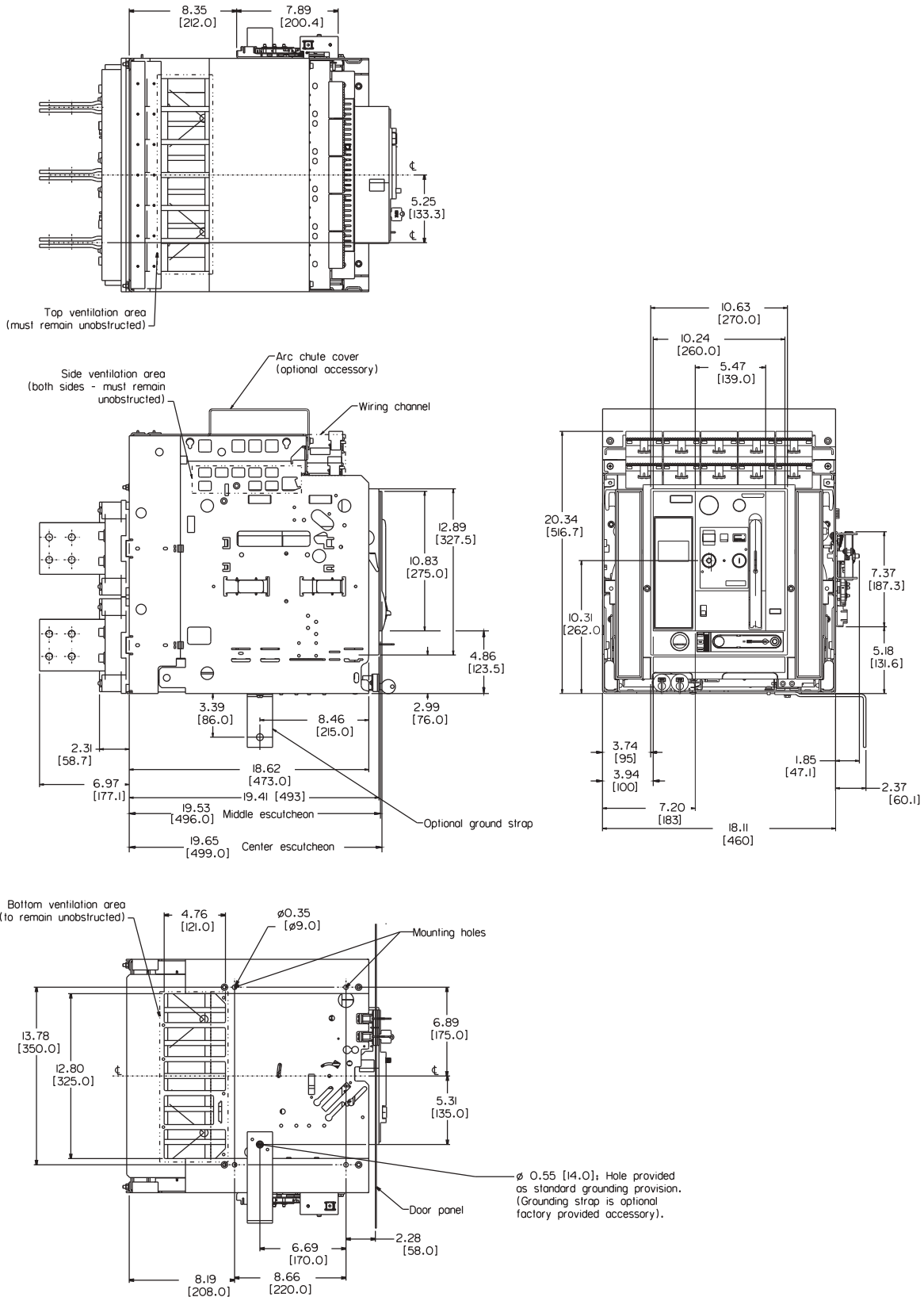
- 1) Mounting surface of the circuit-breaker or cradle.
- 2) Center of breaker front panel.
- 3) Drill eight holes for mounting door sealing frame.

# Low Voltage Circuit Breaker

## UL 1066 Draw-out Non-fused Breaker

Frame Size 2

*Dimensions*



# Low Voltage Circuit Breaker

## UL 1066 Draw-out Non-fused Breaker

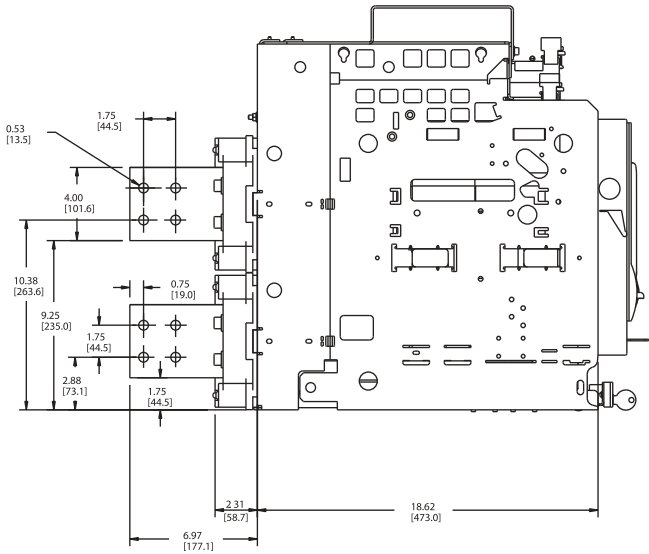
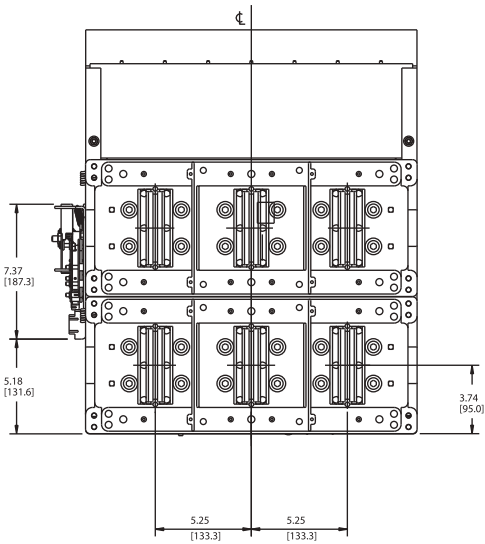
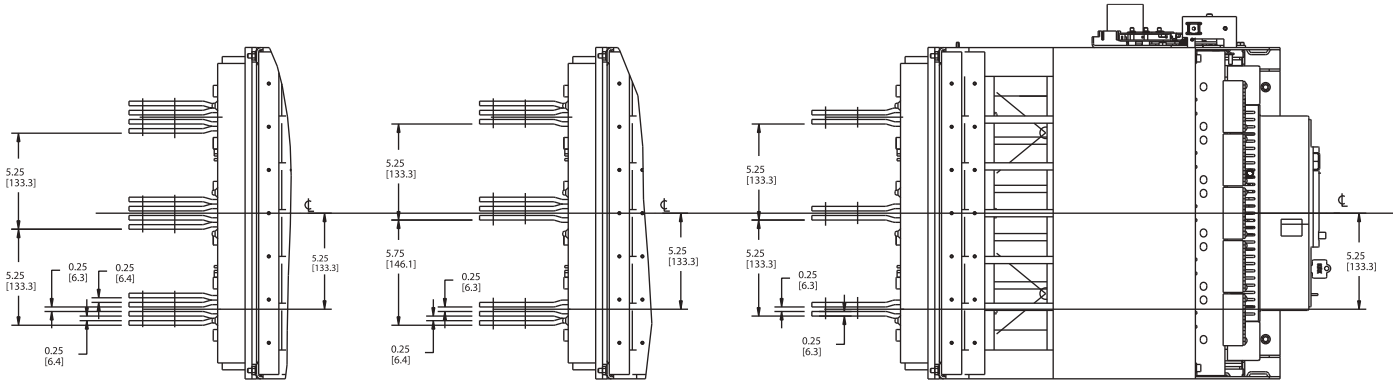
*Dimensions*

Frame Size 2

3200A

2000A

800/1600A



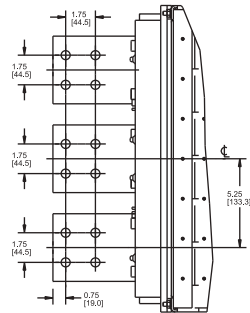
# Low Voltage Circuit Breaker

## UL 1066 Draw-out Non-fused Breaker

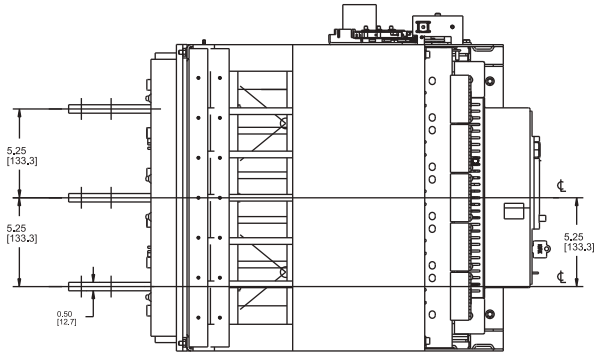
*Dimensions*

Frame Size 2

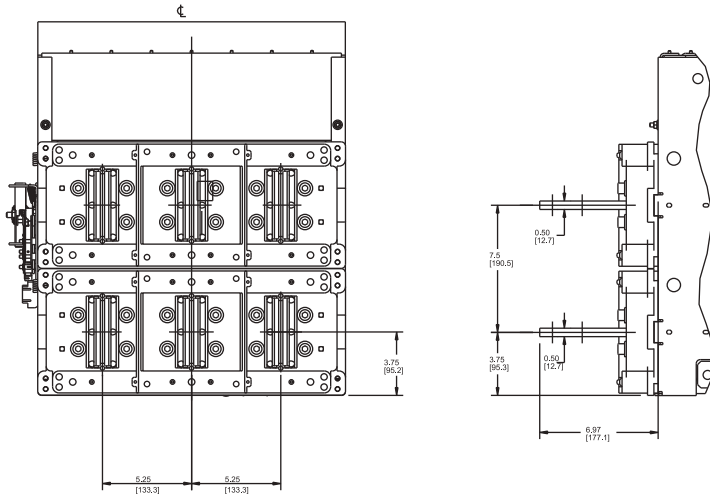
**Horizontal Main Bus Connectors**



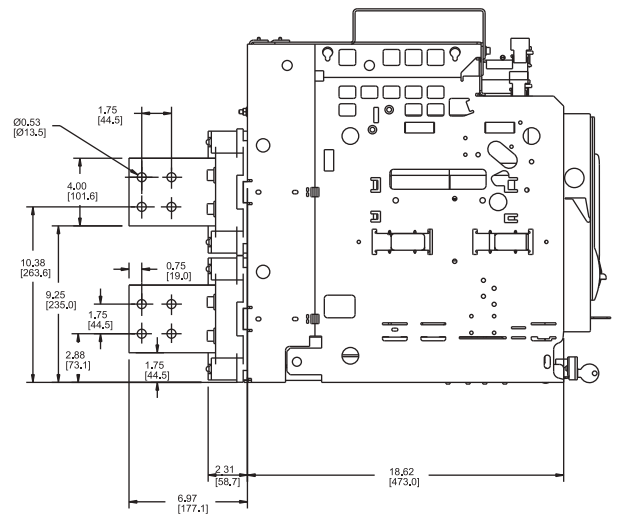
**Vertical Main Bus Connectors**



**Horizontal Main Bus Connectors**



**Vertical Main Bus Connectors**



**NOTE:**

Rotatable main bus connectors are only available under the following conditions:

- (1) Only acceptable for FS2 800A – 2000A Frame Sizes
- (2) Only acceptable for short circuit ratings of 85kAIC or less



# Low Voltage Circuit Breaker

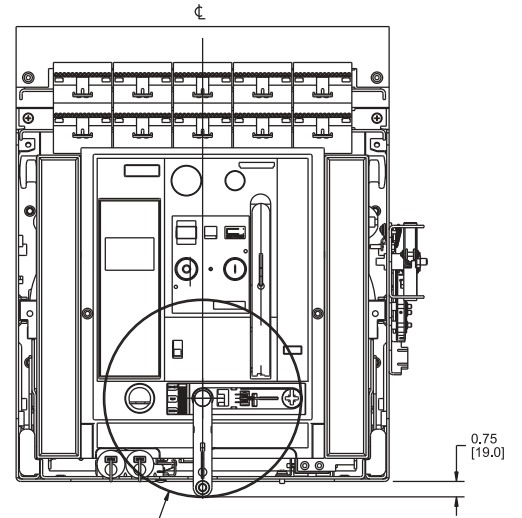
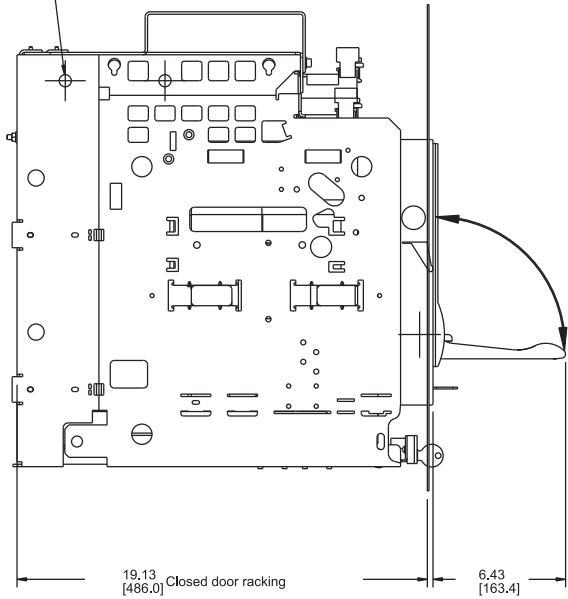
## UL 1066 Draw-out Non-fused Breaker

*Dimensions*

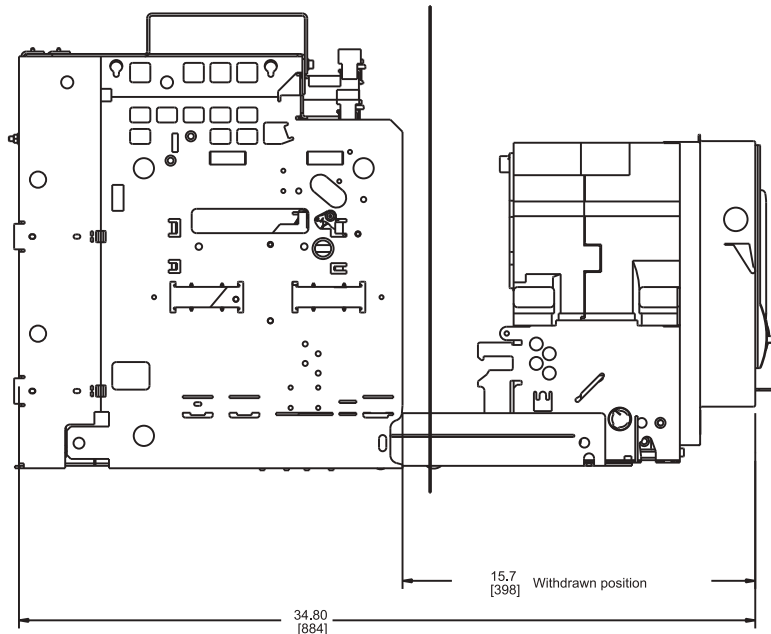
Frame Size 2

Charging, Racking and Draw-out

Lifting Point (Cradle only) Do not lift by other points.



Minimum free space for circuit-breaker racking



15.7 [398] Withdrawn position

34.80 [884]

6

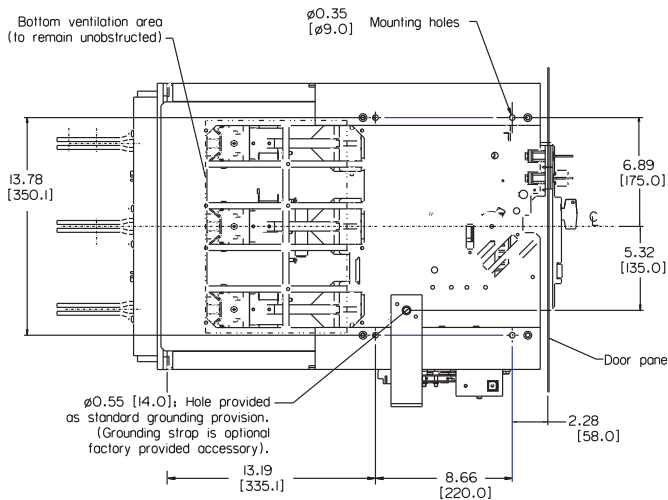
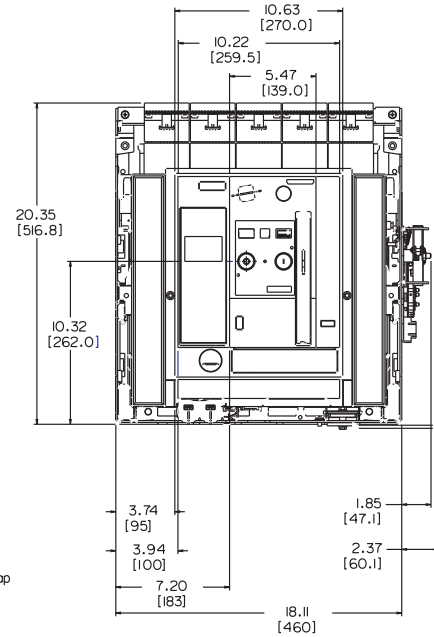
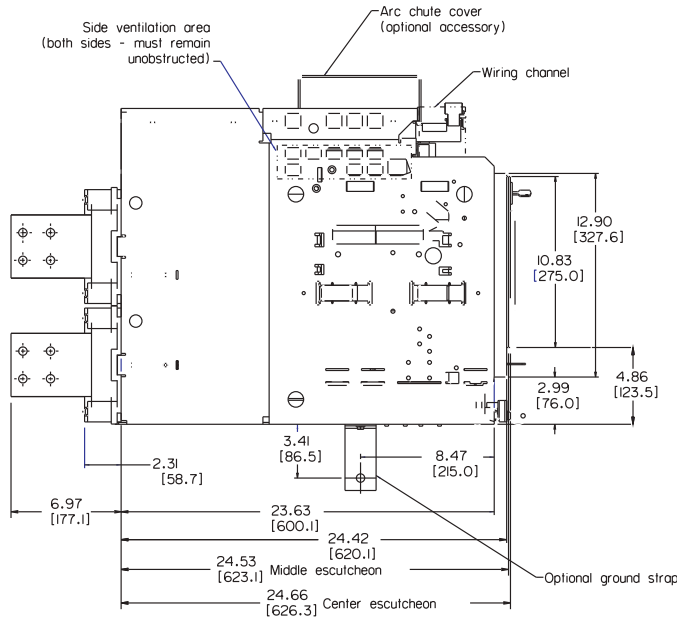
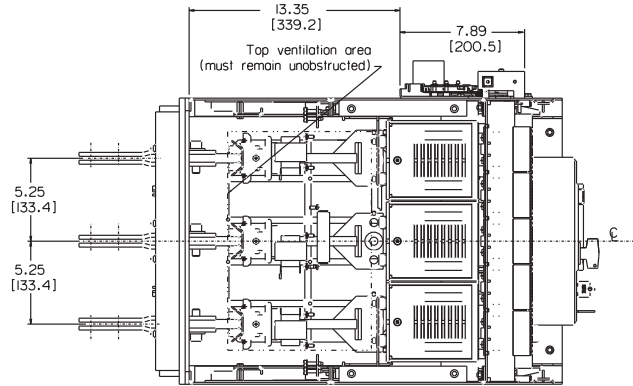
W1 POWER  
CIRCUIT BREAKERS

# Low Voltage Circuit Breaker

## UL 1066 Draw-out Fused Breaker

Frame Size 2

*Dimensions*



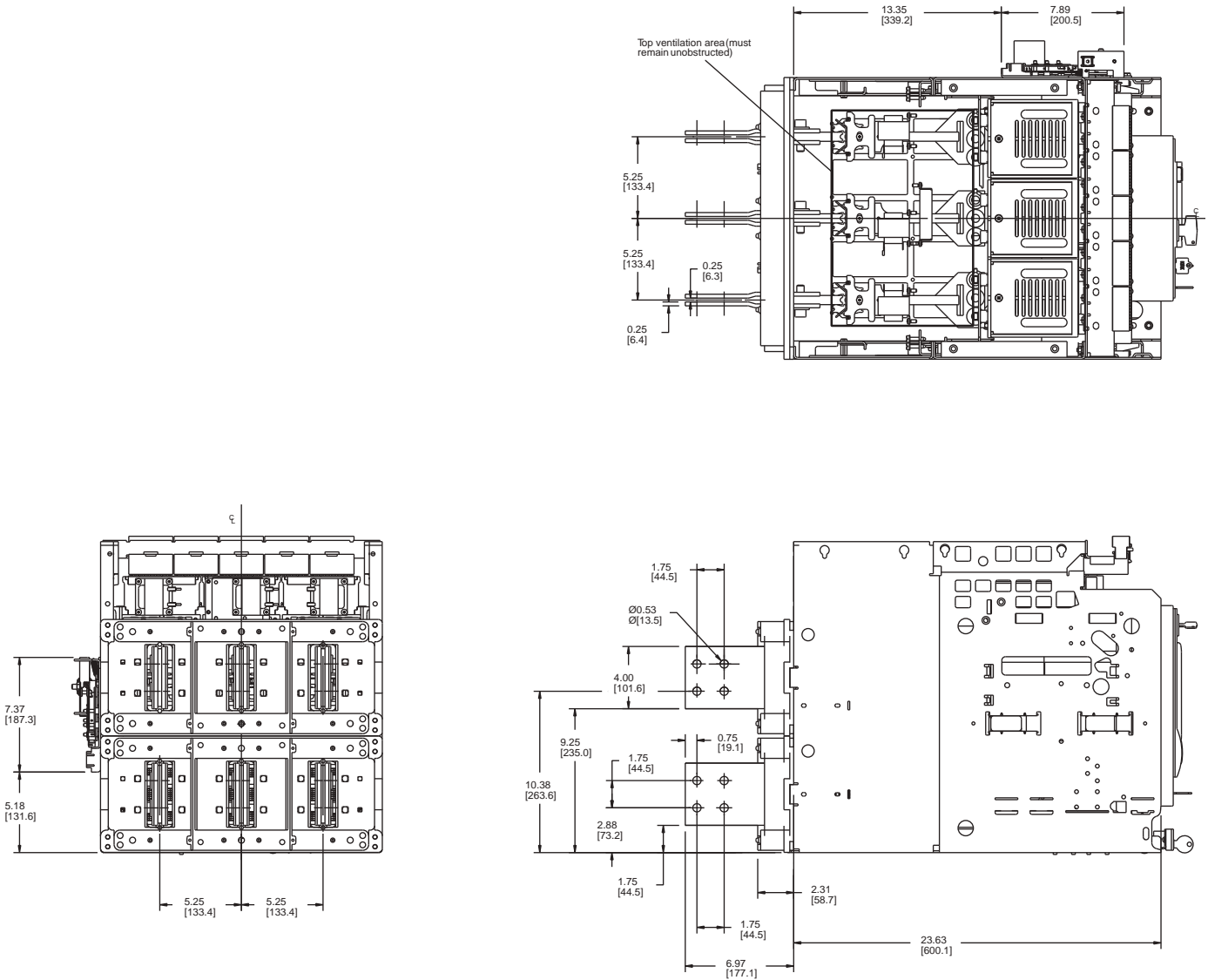
# Low Voltage Circuit Breaker

## UL 1066 Draw-out Fused Breaker

Frame Size 2

*Dimensions*

**6**  
W1 POWER  
CIRCUIT BREAKERS



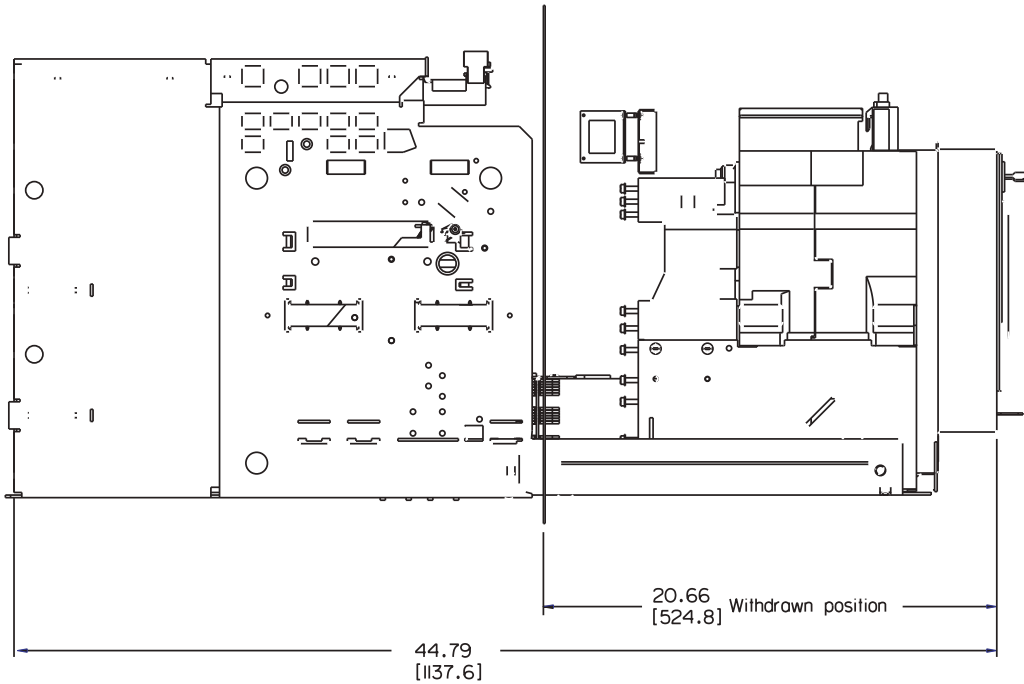
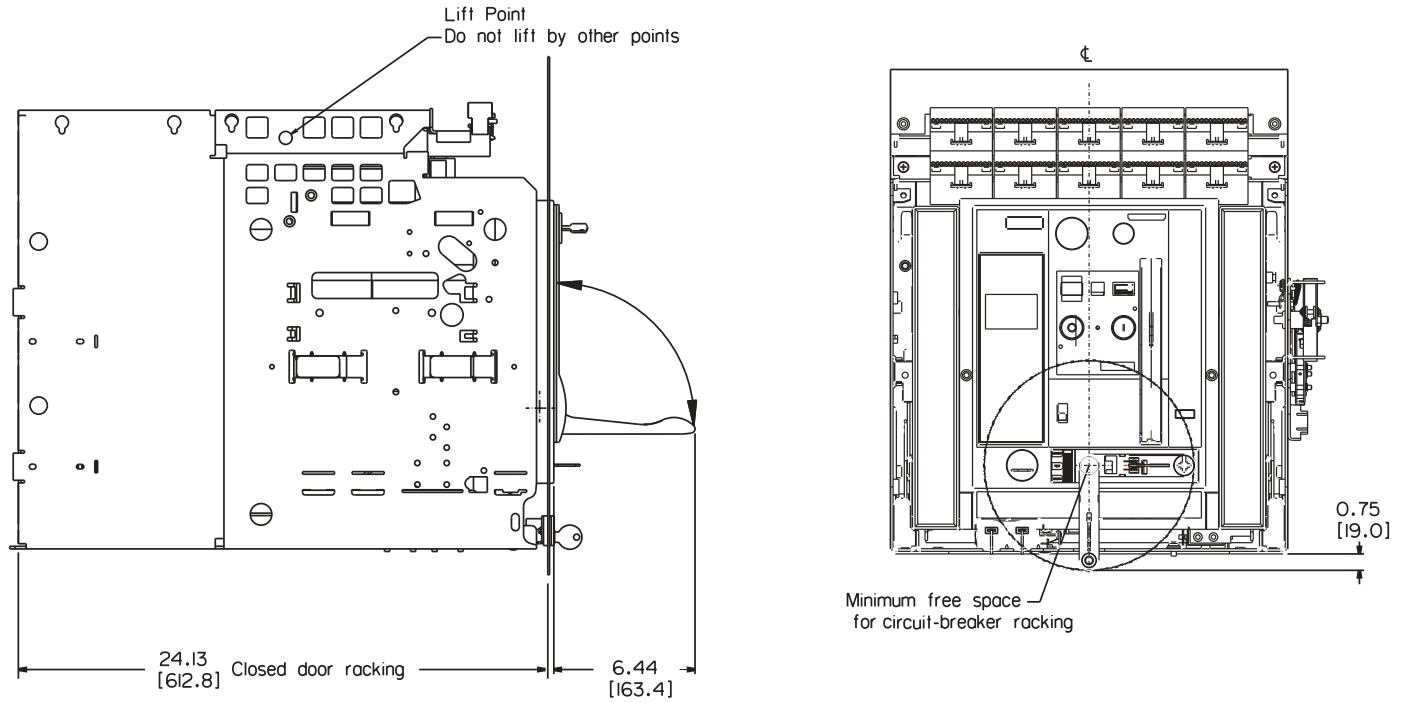
# Low Voltage Circuit Breaker

## UL 1066 Draw-out Fused Breaker

*Dimensions*

Frame Size 2

Charging, Racking and Draw-out



6

WL POWER  
CIRCUIT BREAKERS

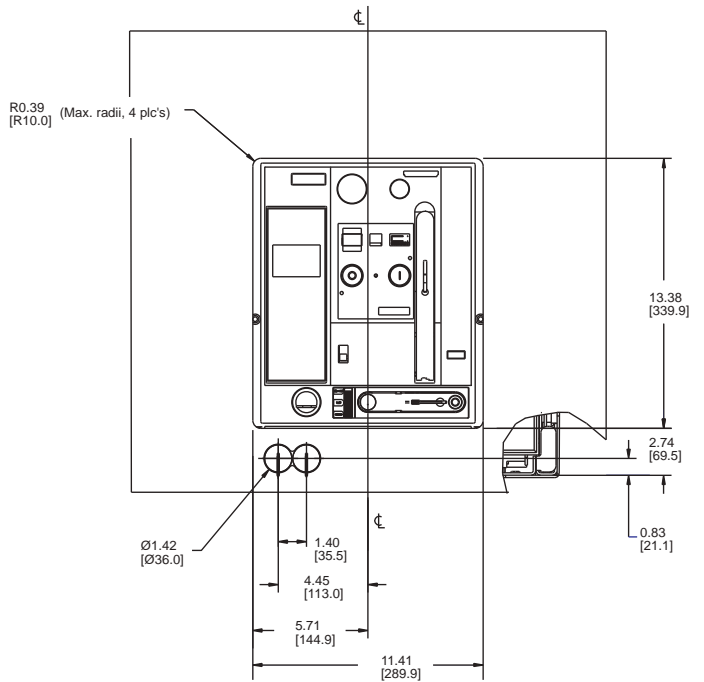
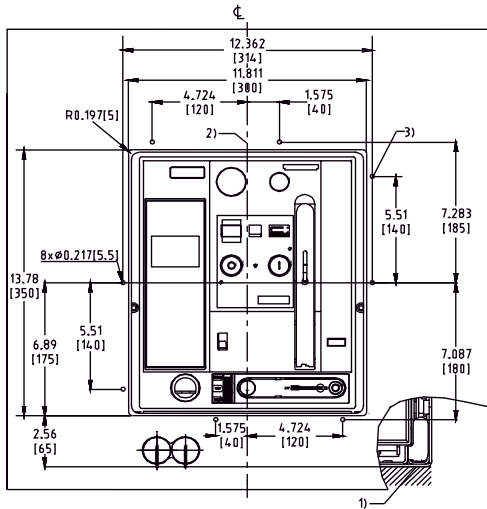
# Low Voltage Circuit Breaker

## UL 1066 Draw-out Breaker

*Dimensions*

Frame Size 2

Door Cut-outs

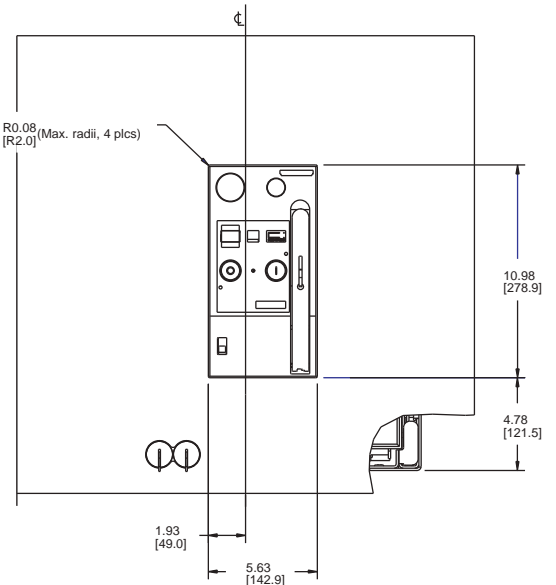
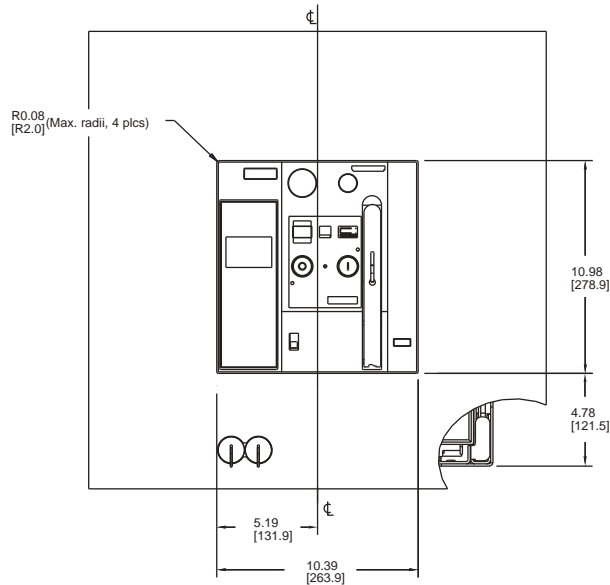


Door cut-out and mounting holes for Door Sealing Frame

Door cut-out (after mounting Door Sealing Frame)

6

WIL POWER  
CIRCUIT BREAKERS



Door cut-out (Middle escutcheon visible)

Minimal door cut-out (Only center escutcheon visible)

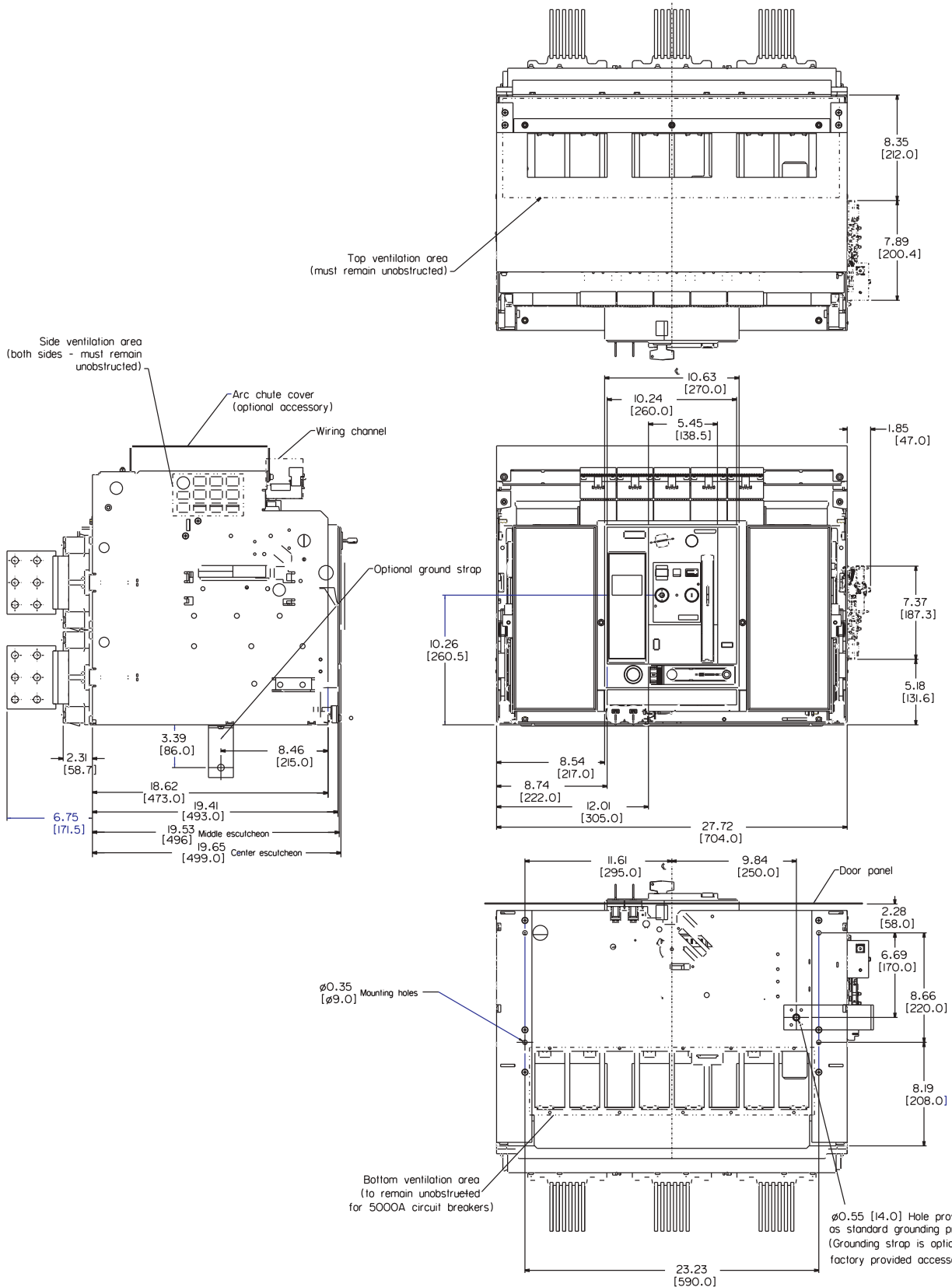
- 1) Mounting surface of the circuit breaker or cradle.
- 2) Center of breaker front panel.
- 3) Drill eight holes for mounting door sealing frame.

# Low Voltage Circuit Breaker

## UL 1066 Draw-out Non-fused Breaker

Frame Size 3

*Dimensions*

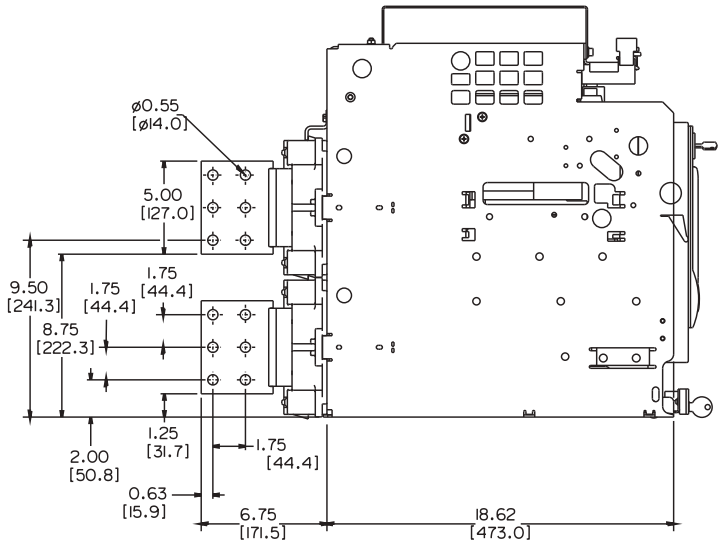
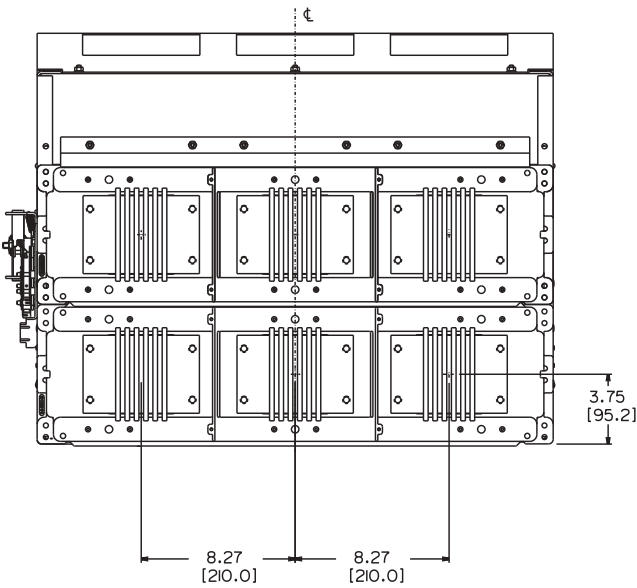
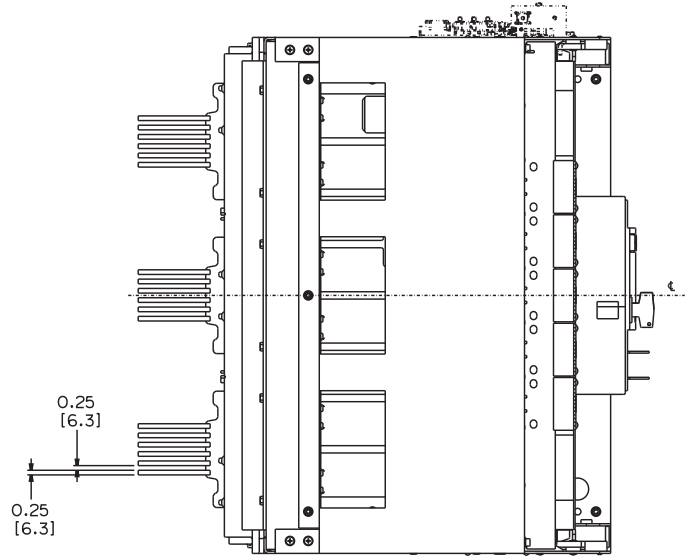


# Low Voltage Circuit Breaker

## UL 1066 Draw-out Non-fused Breaker

Frame Size 3

*Dimensions*



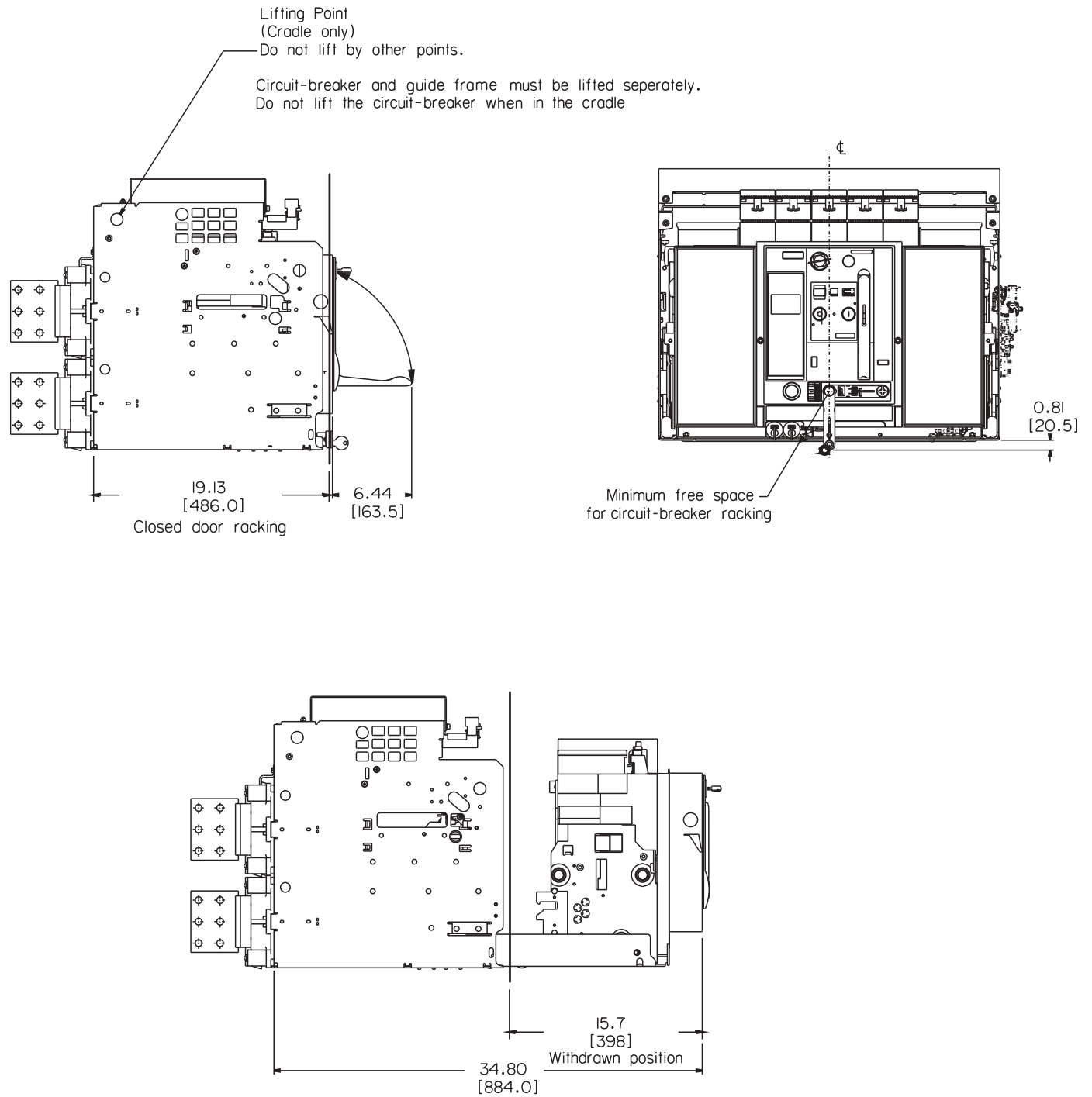


# Low Voltage Circuit Breaker

## UL 1066 Draw-out Non-fused Breaker

*Dimensions*

Frame Size 3

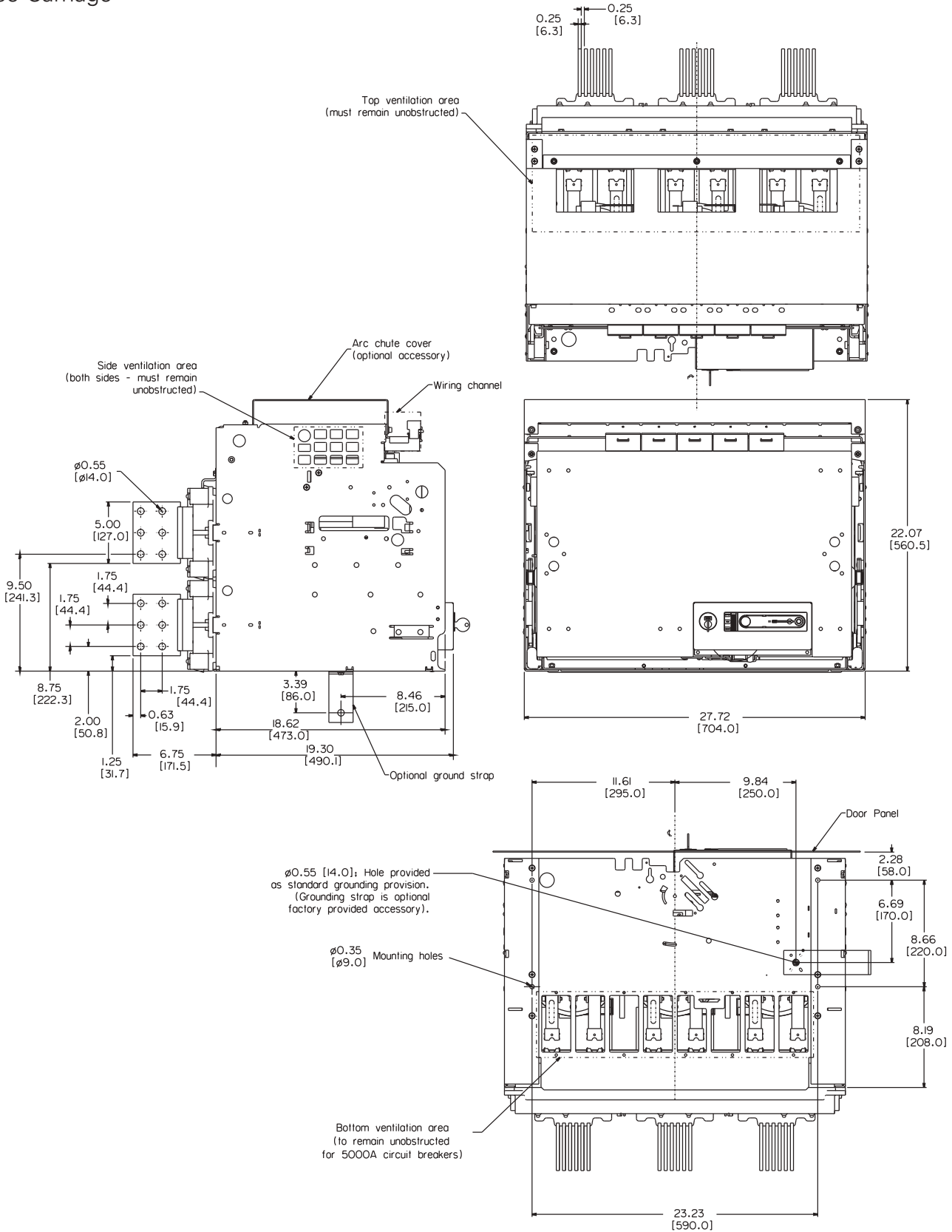


# Low Voltage Circuit Breaker

## UL 1066 Draw-out Fuse Carriage

Frame Size 3  
Fuse Carriage

*Dimensions*



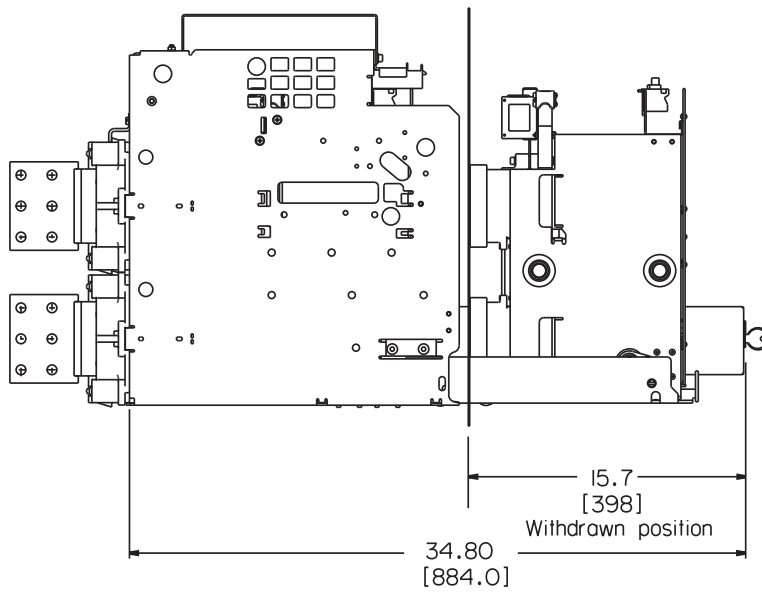
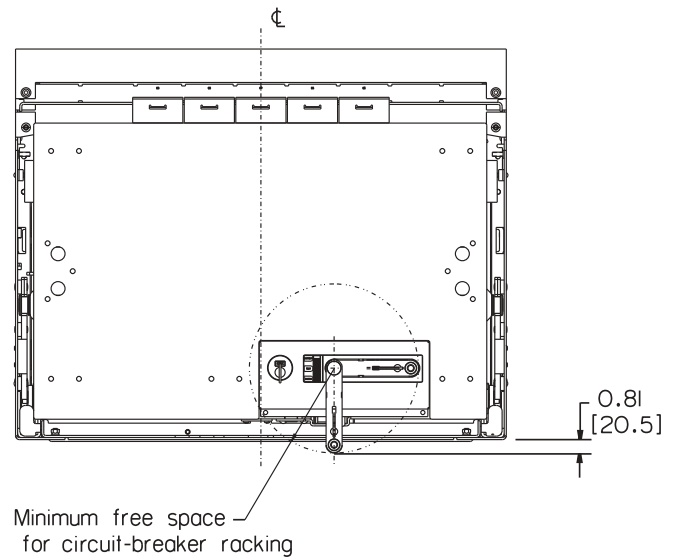
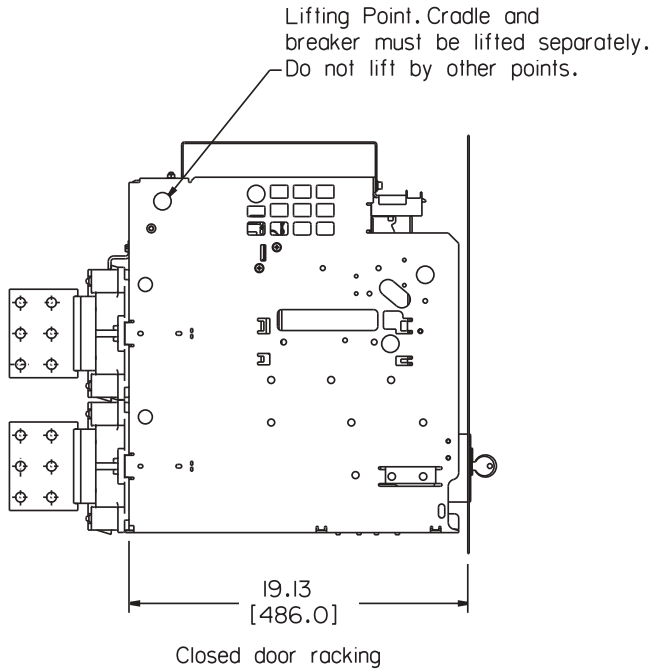
# Low Voltage Circuit Breaker

## UL 1066 Draw-out Fuse Carriage

Frame Size 3

Fuse Carriage Racking

*Dimensions*

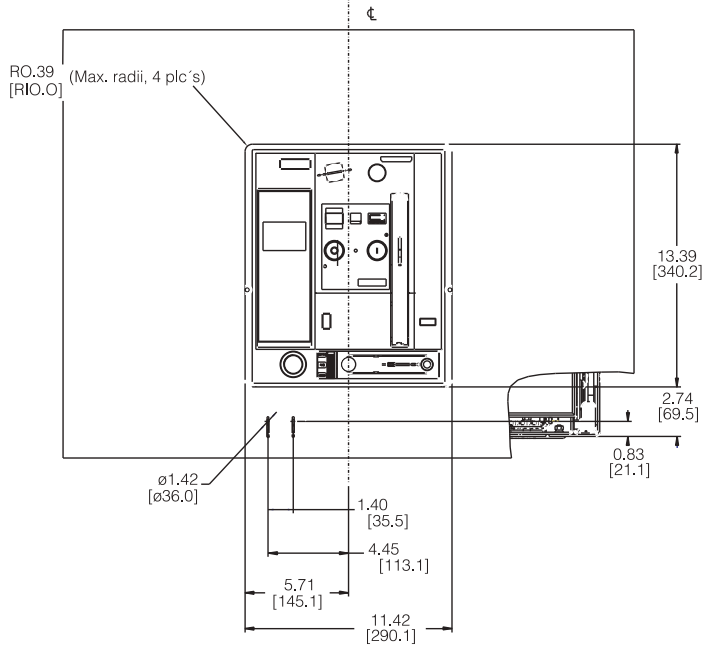
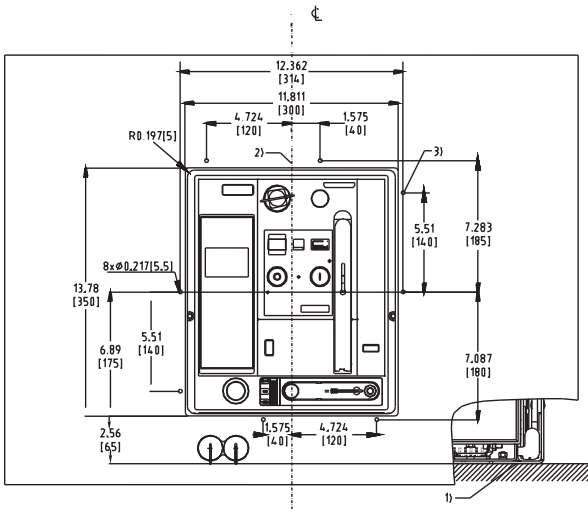


# Low Voltage Circuit Breaker

## UL 1066 Door Sealing Frame

Frame Size 3  
Door Cut-outs

*Dimensions*

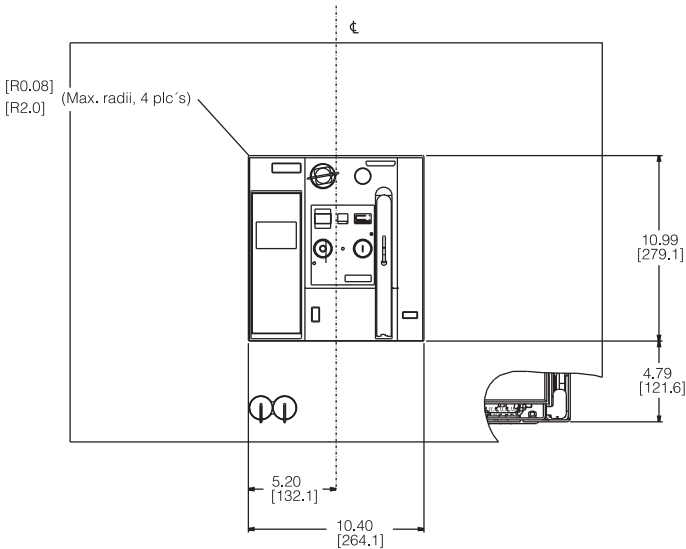


Door cut-out and mounting holes for Door Sealing Frame

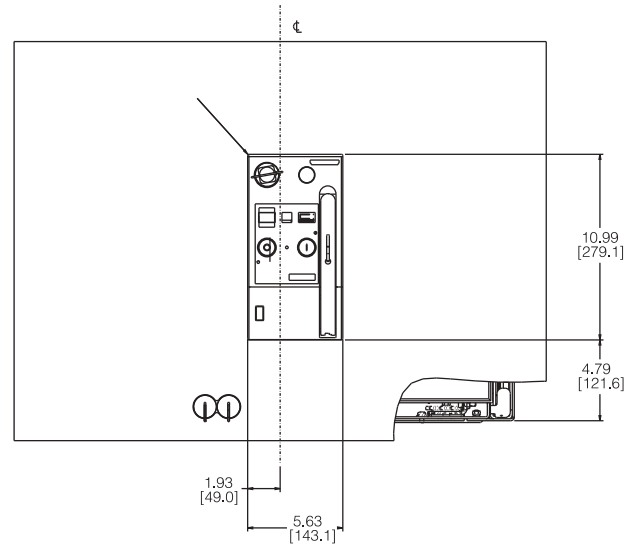
Door cut-out (after mounting Door Sealing Frame)

6

WIL POWER  
CIRCUIT BREAKERS



Door cut-out (Middle escutcheon visible)



Minimal door cut-out (Only center escutcheon visible)

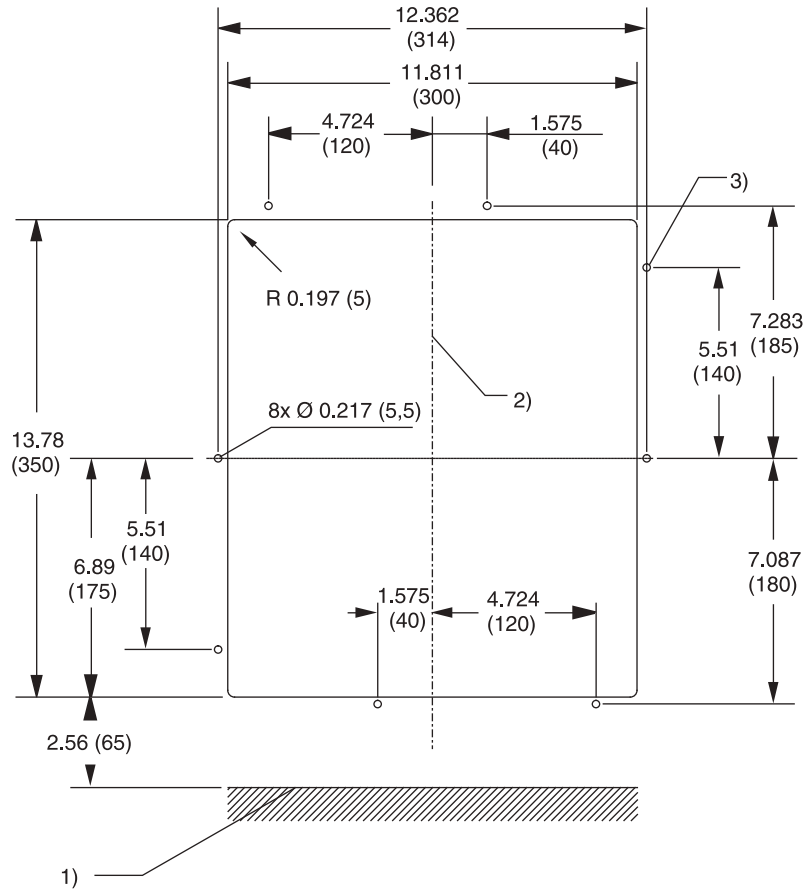
- 1) Mounting surface of the circuit breaker or cradle.
- 2) Center of breaker front panel.
- 3) Drill eight holes for mounting door sealing frame.

# Low Voltage Circuit Breaker

## UL 1066 Draw-out

Frame Size 2 and 3  
Door Cut-outs

*Dimensions*



- 1) Mounting surface of the circuit-breaker or cradle.
- 2) Center of breaker front panel.
- 3) Drill eight holes for mounting door sealing frame.

# WL Spare/Replacement Parts

## Trip Units and Rating Plugs

*Selection*

ETU 745

ETU 748

ETU 776



GFM A 745-748

GFM AT 745-748

GFM A 776

GFM AT 776



ETU catalog number	Trip unit functions	Protective settings	Replacement LCD displays	Ground fault alarm	Ground fault alarm and trip
WLETU745	LSI 1	WLTUSC55	WLLCD48	WLGFA48	WLGFM48
WLETU748	LS 1	WLTUSC55	WLLCD48	WLGFA48	WLGFM48
WLETU776 <sup>2</sup>	LSI 1	WLTUSC76	Not replaceable	WLGFA76	WLGFM76
<b>Trip unit with metering function<sup>2</sup></b>					
WLETU745MP	LSI 1	WLTUSC76	WLLCD48	WLGFA48	WLGFM48
WLETU748MP	LS 1	WLTUSC76	WLLCD48	WLGFA48	WLGFM48
WLETU776MP <sup>2</sup>	LSI 2	WLTUSC76	Not replaceable	WLGFA76	WLGFM76

### Overload Protection

L – Long Time Pick-up and Delay

S – Short Time Pick-up and Delay

I – Instantaneous Trip

G – Ground Fault Pick-up and Delay (Accessory sold separately)



Rating plug

### Rating plug

Catalog number	Ampere rating	Catalog number	Ampere rating	Catalog number	Ampere rating	Catalog number	Ampere rating
WLRP200	200A	WLRP400	400A	WLRP800	800A	WLRP2500	2500A
WLRP225	225A	WLRP450	450A	WLRP1000	1000A	WLRP3000	3000A
WLRP250	250A	WLRP500	500A	WLRP1200	1200A	WLRP3200	3200A
WLRP300	300A	WLRP600	600A	WLRP1250	1250A	WLRP4000	4000A
WLRP315	315A	WLRP630	630A	WLRP1600	1600A	WLRP5000	5000A
WLRP350	350A	WLRP700	700A	WLRP2000	2000A		

<sup>1</sup> Optional GF module sold separately.

<sup>2</sup> Metering function and ETU776 requires 24VDC supply.

# WL Spare/Replacement Parts

## Trip Unit Options

*Selection*



Handheld tester



24VDC power supply

Catalog number	
Trip unit test equipment	
WLTS	Hand held tester for Electronic Trip Unit, Fixed LSIG pick-up
WLTSC	Replacement cable for WLTS Test Unit
24Vdc power supply	
WLSITOP25	24Vdc ETU and COMM power supply, 2.5A SITOP Power, Class 2
WLSITOP1	24Vdc ETU and COMM power supply, 3.8A SITOP Power, Class 2



# WL Spare/Replacement Parts

## Secondary Disconnects

*Selection*



Compression screw connector  
**WLGAXPLUGP**



Spring load connector  
**WLGAXPLUGT**



Ring lug connector  
**WLGAXPLUGR**

Catalog number	
<b>WLGAXPLUGP</b>	Secondary Disconnect - Compression Screw
<b>WLGAXPLUGL</b>	Secondary Disconnect - Low-Profile Compression Screw
<b>WLGAXPLUGT</b>	Secondary Disconnect - Tension Terminal
<b>WLGAXPLUGR</b>	Secondary Disconnect - Ring Terminal
Secondary disconnect breaker frame mount	
<b>WLCNMD</b>	Auxiliary Contact on Drawout Breaker (Knife Block)
<b>WLTERMBLKUL</b>	Pull Apart Terminal Block w/ 1M leads for UL489 Fixed Mount Breaker
<b>WLCNMDA</b>	Block for Extending Height of Secondary Disconnect/WLCNMD
Secondary disconnect coding kit (UL489 only)	
<b>WLCODEKITUL</b>	Secondary disconnect coding kit for fixed mounted breaker
WL crimp lugs	
<b>WL10RL</b>	Crimp Lugs (70) for WLGAXPLUGR - #10 AWG



Low-profile screw connector  
**WLGAXPLUGL**



Knife Blade Contact Block  
**WLCNMD**



**WLTERMBLKUL**



Extends Height of WLCNMD  
**WLCNMDA**



Coding Kit  
**WLCODEKITUL**

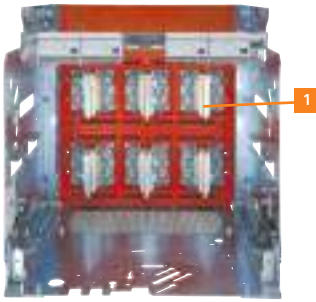
6

WL POWER  
CIRCUIT BREAKERS

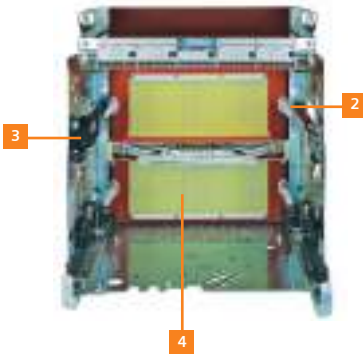
# WL Spare/Replacement Parts

## Cradle Frame Accessories

*Selection*



Arc Chute Cover



Catalog number		
<b>1</b>	<b>Stationary primary bus-bar disconnect terminals</b> (consists of 1 bus-bar pole only)	
	WLGST15123LI Stab tip replacement kit - 800A/1200A, FS1, Line Side	
	WLGST10163LD Stab tip replacement kit - 800A/1200A/1600A, FS2, Load Side	
	WLGST10163LL Stab tip replacement kit - 800A/1200A/1600A, FS2, Line and Load Side	
	WLGST15203LL Stab tip replacement kit - 1200A, FS2, Line and Load Side	
	WLGST15203LD Stab tip replacement kit - 2000A - 800A/1200A, FS2, Load Side	
	WLGST30323LL Stab tip replacement kit - 2500A/3000A, FS2, Line and Load Side	
WLGST30503LL Stab tip replacement kit - 4000A/5000A, FS3, Line and Load Side		
<b>Cradle arc chute cover</b>		
WLGARC1UL 3P Arc chute cover, UL489 FS1, Class S/H/L		
WLGARC2 3P Arc chute cover ANSI FS2, Class N/S/H/L		
WLGARC2UL 3P Arc chute cover, UL489 FS2, Class S/L		
WLGARCF2 3P Arc chute cover, ANSI FS2, Class F Fused		
WLGARC3 3P Arc chute cover, ANSI/UL489 FS3, Class H/L/F		
WL4GARC2 4P Arc chute cover FS2		
WL4GARC3 4P Arc chute cover, FS3		
<b>2</b>	<b>MOC – Mechanism operated contacts</b> (for draw-out breaker)	
	WLMOC MOC with 4NO + 4NC, Test and Connect Position, FS1/FS2	
	WLMOCC MOC with 4NO + 4NC, Connect Position, FS1/FS2	
	WLMOC3 MOC with 4NO + 4NC, Test and Connect Position, FS3	
	WLMOCC3 MOC with 4NO + 4NC, Connect Position, FS3	
	<b>(for fixed mounted circuit breakers)</b>	
	WLMOCUL1 MOC with 4NO + 4NC, FS1 Fixed	
	WLMOCUL MOC with 4NO + 4NC, FS2/FS3 Fixed	
	<b>3</b>	<b>TOC – Truck operated contacts</b>
		WLGSGSW111 Truck Operated Contact (1Conn-1Test-1Disconn)
WLGSGSW321 Truck Operated Contact (3Conn-2Test-1Disconn)		
WLGSGSW6 Truck Operated Contact (6Conn)		
<b>4</b>	<b>Isolation shutters</b>	
	WLG3SHUT1L FS1 3-Pole Shutter for Class S,H,L	
	WLG3SHUT2L FS2 3-Pole Shutter for Class N,S,H,L	
	WLG3SHUT2F FS2 3-Pole Shutter for Class F	
	WLG3SHUT2M FS2 3-Pole Shutter for Class C	
	WLG3SHUT3L FS3 3-Pole Shutter for Class L,F,H	
	WLG3SHUT3M FS3 3-Pole Shutter for Class C,M	
	WLG3SHUT3FC FS3 3-Pole Shutter for Fuse Carriage	
	WLG4SHUT2L FS2 4-Pole Shutter for Class S,H,L	
	WLG4SHUT3L FS3 4-Pole Shutter for Class H,L	

# WL Spare/Replacement Parts

## Cradle Frame

*Selection*



Key Interlocking  
(Drawout)



Mechanical Interlock



Cradle Frame Heater  
WLGHEAT

Catalog number	
WLGHEAT	Cradle frame heater
Locking devices mounted on the cradle frame	
WLDLKRK	Kirk Key – Lock breaker in OPEN position (FS2, FS3 only)
WLDLDRK	Double-Kirk Key – Lock breaker in OPEN position (FS2, FS3 only)
WLDLSUP	Superior – Lock breaker in OPEN position (FS2, FS3 only)
WLDLSUP	Double Superior – Lock breaker in OPEN position (FS2, FS3 only)
WLDLPR	Provision Only – Lock breaker in the OPEN position (FS1, FS3 only)
WLDLDPR	Provision Only – Double lock breaker in the OPEN position (FS2, FS3 only)
WLDRLC	Locking device against opening the cubicle door when breaker is in connect position, FS1 Only
WLDRLC1	Locking device against opening the cubicle door when breaker is in connect position, FS2, FS3
WLDRLC5UL	Locking device against moving/racking the breaker when the cubicle door is in connect position, FS2, FS3
Mechanical interlock devices	
(Mechanical interlock cable ships with 2.0m Bowden Cable)	
WLNTLK	For FS1, FS2, FS3 Draw-out breaker
WLNTLKF1	FS1 Fixed mounted circuit breaker
WLNTLK23	FS2 and FS3 Fixed mounted circuit breaker
WLNTLWIRE2	Interlock Cable (2.0m Bowden Cable)
WLNTLWIRE3	Interlock Cable (3.0m Bowden Cable)
WLNTLWIRE4	Interlock Cable (4.5m Bowden Cable)
WLNTLWIRE5	Interlock Cable (6.0m Bowden Cable)

# WL Spare/Replacement Parts

## Metering CT Units

*Selection*



### 3 phase metering CT, guide frame mounted

Catalog number	Frame	Ratio
WLG8005MCT1	FS1	800:5
WLG12005MCT1	FS1	1200:5
WLG8005MCT2	FS2	800:5
WLG10005MCT2	FS2	1000:5
WLG12005MCT2	FS2	1200:5
WLG16005MCT2	FS2	1600:5
WLG20005MCT2	FS2	2000:5
WLG30005MCT2	FS2	3000:5
WLG32005MCT2	FS2	3200:5
WLG20005MCT3	FS3	2000:5
WLG30005MCT3	FS3	3000:5
WLG32005MCT3	FS3	3200:5
WLG40005MCT3	FS3	4000:5
WLG50005MCT3	FS3	5000:5

### Single phase metering CT

Catalog number	Ratio
WLG800NMCT23	800:5
WLG1200NMCT23	1200:5
WLG1600NMCT23	1600:5
WLG2000NMCT23	2000:5
WLG3000NMCT23	3000:5
WLG3200NMCT23	3200:5
WLG4000NMCT23	4000:5
WLG5000NMCT23	5000:5

# WL Spare/Replacement Parts

## Ground Fault and Current Sensors

*Selection*



Modified differential CT



Neutral Sensor



Neutral Sensor with Bus Connector

### Catalog number

#### Modified differential ground fault for source ground return

WLGMDGFCT2	FS2	1200:1	3 phase cradle mount
WLGMDGFCT3	FS3	1200:1	3 phase cradle mount
WLGNMDGCT23	Iron core neutral sensor	1200:1	1 phase bus mount

#### External neutral CT for 4 wire residual ground fault

WLNCT2	3"	Without copper bus adapter (pass-thru mount)
WLNCT3	3 – 5" max. bus-bar size	Without copper bus adapter (pass-thru mount)

WLNCT2CB	For 3"	With copper bus adapter for bus connection
WLNCT3CB	For 3" – 5" max. bus-bar size	With copper bus adapter for bus connection

# WL Spare/Replacement Parts

## Circuit Breaker Accessories

*Selection*



Shunt Trip Coil



Auxiliary Contact



Ready-to-Close Contact



Bell Alarm Reset Coil



Bell Alarm Contacts



Operations Counter

Catalog number	
<b>Shunt trip release</b>	
WLST24	24Vdc, 3-cycle momentary duty
WLST48	48Vdc, 3-cycle momentary duty
WLST120	120Vdc/120Vac, 3-cycle momentary duty
WLST240	250Vdc/240Vac, 3-cycle momentary duty
WLSTCD24	24Vdc, continuous duty (UL 489 only)
WLSTCD48	48Vdc, continuous duty (UL 489 only)
WLSTCD120	120Vdc/120Vac, continuous duty (UL 489 only)
WLSTDC240	250Vdc/240Vac, continuous duty (UL 489 only)
(signal contactor 1st Shunt Trip)	
WLSTC	"NO" switch 3A-240Vac rating
(signal contactor second Shunt Trip )	
WLUVRC	"NO" switch 3A-240Vac rating
<b>Auxiliary signaling switch</b>	
WLAS2	2 NO and 2 NC contacts
WLAS4	4 NO and 4 NC contacts
<b>Ready-to-close signal switch</b>	
WLRTCS	1 form "A" NO contact 5A - 240Vac
<b>Bell alarm</b>	
Remote reset solenoid for Bell-alarm and trip indicator	
WLRSET24	24Vdc
WLRSET48	48Vdc
WLRSET120	125Vdc/120Vac
WLRSET240	250Vdc/240Vac
WLBA	Form "C" contact
<b>Operation Counter</b>	
Available only with spring charging motor option	
WLNUMCNT	Mechanical counter

# WL Spare/Replacement Parts

## Circuit Breaker Accessories

*Selection*



Undervoltage Trip Coil



Signal Contacts



Closing Coil

Catalog number	
<b>Undervoltage trip release</b>	
WLUV24	24Vdc, instantaneous trip
WLUV48	48Vdc, instantaneous trip
WLUV120	125Vdc/120Vac, instantaneous trip
WLUV240	250Vdc/240Vac, instantaneous trip
WLUVD48	48Vdc, time delayed
WLUVD120	125Vdc/120Vac, time delayed
WLUVD240	250Vdc/1240Vac, time delayed
<b>Signal contactor for UV trip</b>	
WLUVRC	"NO" switch 3A – 240Vac rating
<b>Closing coil</b>	
WLRCS24	24Vdc, 3 cycle momentary duty
WLRCS48	48Vdc, 3 cycle momentary duty
WLRCS120	125Vdc/120Vac, 3 cycle momentary duty
WLRCS240	250Vdc/240Vac, 3 cycle momentary duty



# WL Spare/Replacement Parts

## Circuit Breaker Accessories

*Selection*



Charging Motor



Breaker Current Sensor



Arc Chutes

Catalog number	
<b>Spring charging motor</b>	
WLELCMTR24	24Vdc, Charging motor
WLELCMTR48	48Vdc, Charging motor
WLELCMTR120	120Vdc/120Vac, Charging motor
WLELCMTR240	250Vdc/240Vac, Charging motor
WLELCMTR245	24Vdc, Charging motor w/cut-off switch
WLELCMTR485	48Vdc, Charging motor w/cut-off switch
WLELCMTR120S	125Vdc/120Vac, Charging motor w/cut-off switch
WLELCMTR240S	250Vdc/240Vac, Charging motor w/cut-off switch
WLMCOSW	Motor cut-off switch
<b>ANSI UL 1066 breaker internal contact replacement kit</b>	
RCS2N10	FS2 N-Group, 800A, 1600A
RCS2S10	FS2 S-Group, 800A, 1600A
RCS2H10	FS2 H-Group, 800A, 1600A
RCS2L10	FS2 L-Group, 800A, 1600A
RCS2S15	FS2 S-Group, 2000A
RCS2HF15	FS2 H and F-Group, 2000A
RCS2L15	FS2 L-Group, 2000A
RCS2S30	FS2 S-Group, 3200A
RCS2H30	FS2 H-Group, 3200A
RCS2L30	FS2 L-Group, 3200A
RCS3HF30	FS3 H and F-Group, 4000/5000A
RCS3L30	FS2 L-Group, 4000/5000A
<b>Internal phase sensor (Rogowski coil)</b>	
WLCT2	FS2 ANSI breaker kit for one breaker
WLCT3	FS3 ANSI breaker kit for one breaker
<b>ANSI 1066 breaker arc chute replacement kit</b>	
WLARC2	For FS2 ANSI breaker only
WLARC3	For FS3 ANSI breaker only
WLARCM3	For FS3 ANSI M-Class breaker only

6

WL POWER  
CIRCUIT BREAKERS

# WL Spare/Replacement Parts

## Circuit Breaker Accessories

*Selection*



Fixed Breaker Connectors

1

Catalog number		Units
<b>Circuit breaker finger cluster replacement kit</b>		
WLFNGR1UL	For FS1 UL489 800A, 1200A	1 piece
WLFNGR10UL	For FS2 UL489 800, 1200, 1600A Class S&L	1 piece
WLFNGR15UL	For FS2 UL489 2000A, S&L	1 piece
WLFNGR30UL	For FS2 UL489 2500/3000A Class S&L	1 piece
WLFNGR30ULC	For FS2 UL489 1600/2000/2500/3000A Class C only	1 piece
WLFNGR10	For FS2 ANSI 800A, 1200A	1 piece
WLFNGR15	For FS2 ANSI 2000A	1 piece
WLFNGR30	For FS2 ANSI 3200A	1 piece
WLFCK3	For FS3 ANSI 4000A, 5000A	1 piece
WLF6X1A	For FS1 UL489 800A, 1200A	6 pieces
WLF6X10	For FS2 ANSI 800, 1600A	6 pieces
WLF6X15	For FS2 ANSI 1200A	6 pieces
WLF6X1B	For FS2 Fused	6 pieces
WLF6X30	For FS2 ANSI, 3200A	6 pieces
WLF6X3C	For FS2 C-Class	6 pieces
WLF6X3A	For FS3 ANSI 4000A, 5000A	6 pieces
WLF6X3B	For FS3 Fuse carriage	6 pieces
<b>Circuit breaker bus connectors</b>		
UL 489 Fixed Mount (Front mount Bus Connector)		
WLH1F12CONUL	FS1, 800-1200AF, 85kAIC at 480V maximum	6 pieces
WLL2F16CONUL	FS2, 1600AF, 100kAIC at 480V maximum	6 pieces
WLL2F20CONUL	FS2, 2000AF, 100kAIC at 480V maximum	6 pieces
WLL2F25CONUL	FS2, 2500AF, 100kAIC at 480V maximum	6 pieces
WLL2F30CONUL	FS2, 2500-3000AF, 100kAIC at 480V maximum	6 pieces
WLL3F50CONUL	FS3, 4000-5000AF, 100kAIC at 480V maximum	6 pieces
(Rear Vertical Bus Connector)		
WLH1R12CONUL	FS1, 800-2000AF, 100kAIC at 480 V maximum	6 pieces
WLL2R16CONUL	FS2, 800-1600AF, 100kAIC at 480V maximum	6 pieces
WLL2R20CONUL	FS2, 2000AF, 100kAIC at 480V maximum	6 pieces
WLL2R30CONUL	FS2, 2500-3000AF, 100kAIC at 480V maximum	6 pieces
WLC2R30CONUL	FS2, 800-3000A, 150kAIC at 480V max	6 pieces
WLC3R50CONUL	FS3, 4000-5000AF, 150kAIC at 480V maximum	6 pieces
<b>Circuit breaker fix mount optional metric hardware</b>		
WLMETRC	FS1 and FS2 M8x25 bolts and 6.3 washers	
WLMETRC3	FS3 M10X25 bolts and 6.3 washers	

6

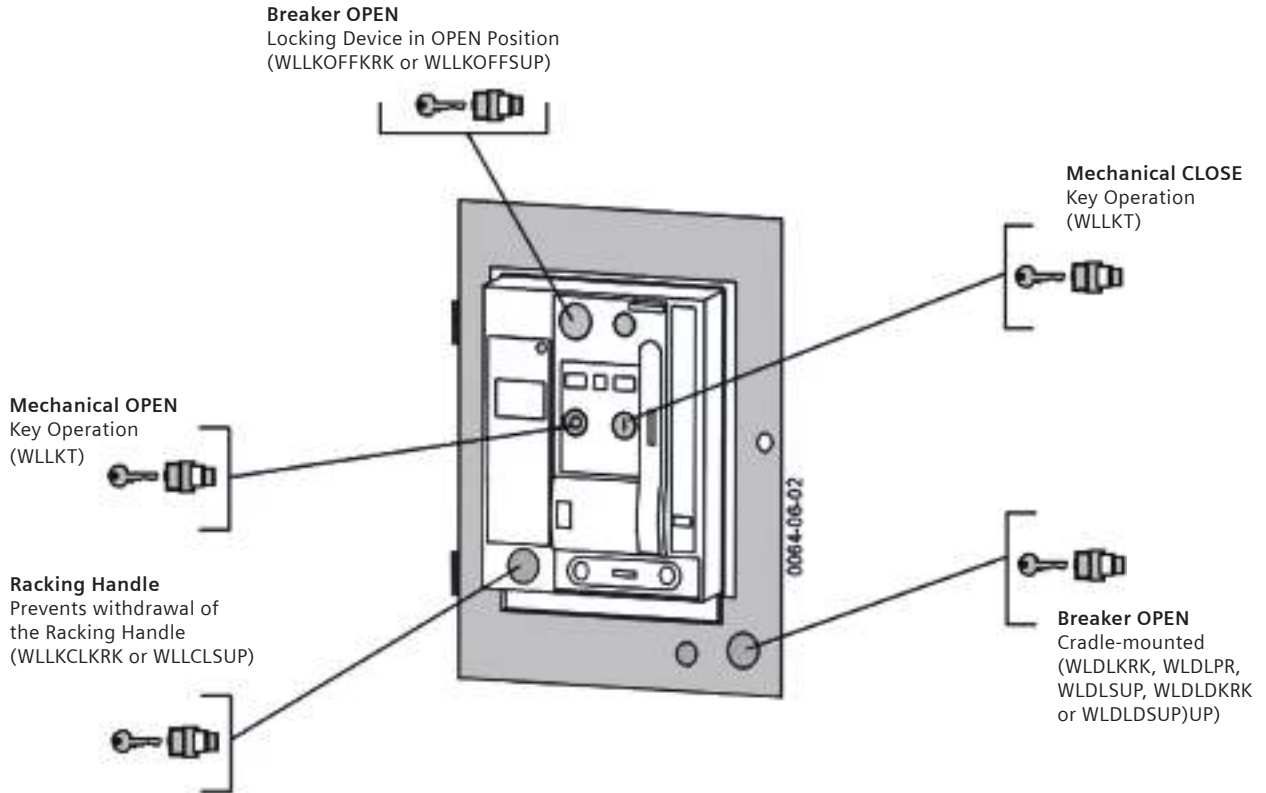
WL POWER  
CIRCUIT BREAKERS

# WL Spare/Replacement Parts

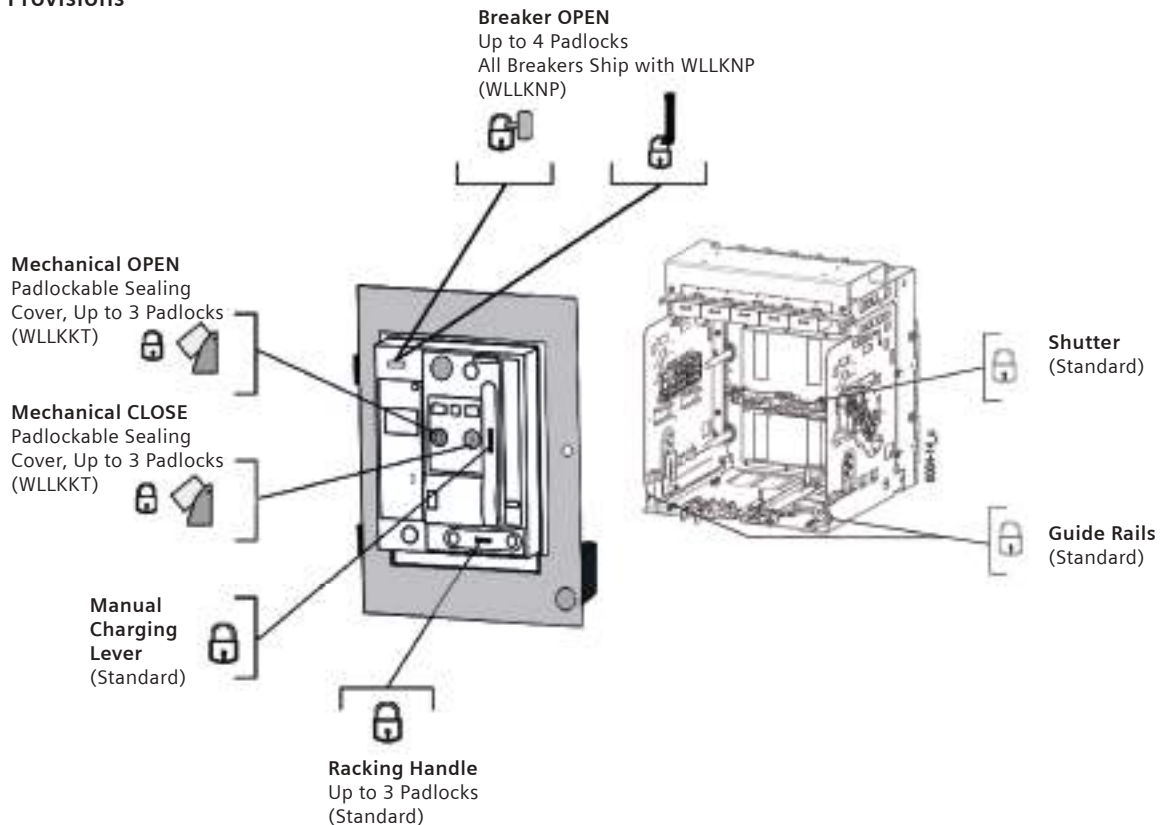
## Circuit Breaker Accessories

*Selection*

### Locking Devices and Sealing Caps



### Padlocking Provisions



6

WL POWER  
CIRCUIT BREAKERS

# WL Spare/Replacement Parts

## Options and Accessories

*Selection*



Breaker Open Lock  
WLLKOFFKRK



Pushbutton Lock Outs  
WLLKKT



Charge Handle Lock  
WLHANDLC

Catalog number	
<b>Breaker Locking Device</b>	
WLLKOFFDRUL1	Door lock FS1 (locked when breaker is closed)
WLLKOFFDRUL3	Door lock FS2/FS3 (locked when breaker is closed)
WLLKOFFKRK	Kirk key (lock when breaker is open)
WLLKOFFSUP	Superior Key (lock when breaker is open)
WLLKNP	Provision only padlock (lock when breaker is open)
WLLKOFFPR	Provision only key lock (lock when breaker is open)
WLLKKT	Sealing/Locking cover for OPEN/CLOSE button w/cheat-hole
WLLKCLKRK1	Racking handle lock, FS1 - Kirk key
WLLKCKRK	Racking handle lock, FS2/FS3 - Kirk key
WLLKCLSUP1	Racking handle lock, FS1 - Superior key
WLLKCLSUP	Racking handle lock, FS2/FS3 - Superior key
WLLKCLPR	Racking handle lock, FS2/FS3 - Provision only
WLHANDLC	Charging handle padlock provision

6

WL POWER  
CIRCUIT BREAKERS

## Fuse Kits

Catalog number	
<b>WL fuse replacement kits</b>	
WLCLF0400	Breaker fuse kit FS2 400A (3 Fuses)
WLCLF0600	Breaker fuse kit FS2 600A (3 Fuses)
WLCLF0800	Breaker fuse kit FS2 800A (3 Fuses)
WLCLF0900	Breaker fuse kit FS2 900A (3 Fuses)
WLCLF1000	Breaker fuse kit FS2 1000A (3 Fuses)
WLCLF1200	Breaker fuse kit FS2 1200A (3 Fuses)
WLCLF1600	Breaker fuse kit FS2 1600A (3 Fuses)
WLCLF2000	Breaker fuse kit FS2 2000A (3 Fuses)
WLCLF2500	Breaker fuse kit FS2 2500A (3 Fuses)
WLCLF3000	Breaker fuse kit FS2 3000A (3 Fuses)
WLCLF3001	Carriage fuse kit FS3 3000A (3 Fuses)
WLCLF4000	Carriage fuse kit FS3 4000A (3 Fuses)
WLCLF5000	Carriage fuse kit FS3 5000A (3 Fuses)
WLCLF6000	Carriage fuse kit FS3 6000A (3 Fuses)

# WL Spare/Replacement Parts

## Options and Accessories

*Selection*



Sealing Frame  
WLDSF



Plexiglass Cover  
WLPGC



Lift Device  
WLLFT

Catalog number	
WLEPEN	Emergency OPEN button (mushroom head)
WLDSF	Door sealing frame, FS2/FS3
WLPGC	Door plexiglass cover, FS2/FS3
WLLFT	Lifting device (Yolk) 3 pole frames
WLLFT4	Lifting device (Yolk) 4 pole frames
WLHOIST	Breaker Lift Truck/Hoist
WLCHANDLE	Breaker manual charging handle replacement
WLCLUTCH	WL breaker shaft extension
WLBGREASE	WL circuit breaker maintenance grease
WLDMNT1	Breaker Foot Replacement Kit - FS1 Drawout
WLFMNT1	Breaker Foot Replacement Kit - FS1 Fixed
WLDMNT2	Breaker Foot Replacement Kit - FS2 Drawout
WLFMNT2	Breaker Foot Replacement Kit - FS2 Fixed
WLDMNT3	Breaker Foot Replacement Kit - FS3 Drawout
WLFMNT3	Breaker Foot Replacement Kit - FS3 Fixed
WLBCESTEST	WL circuit breaker certified test report
WLINTWIRE1	Ground fault wire harness replacement (ETU-to-X8)
WLINTWIRE2	CubicleBus wire harness replacement (ETU-to-X8)
Should it become necessary for the customer to return a WL circuit breaker frame for any reason, proper packaging is to be used to prevent damage to the product while in shipment.	
WLPFS1B	Packaging for FS1 Breaker
WLPFS2B	Packaging for FS2 Breaker
WLPFS2FB	Packaging for FS2 Fused Breaker
WLPFS3B	Packaging for FS3 Breaker

6

WL POWER  
CIRCUIT BREAKERS

# WL Spare/Replacement Parts

## Communication Components

*Selection*



COM Device



BSS



CubicleBus Devices



BDA



WLCOMBOARD

Catalog number	
<b>Breaker communication module</b>	
WLCM15M	PROFIBUS module COM15
WLCM15RET	PROFIBUS module COM15 w/ BSS
WLCM16MD	MODBUS module COM16
WLCM16RET	MODBUS module COM16 w/ BSS
WLCOMBOARD	COM16 RS485 adapter board (Modbus only)
<b>Breaker status sensor</b>	
WLBSS	Breaker status sensor for Profibus/Modbus
<b>External I/O CubicleBus modules</b>	
WLZSIMD	CubicleBUS Zone Selective Interlocking (ZSI) module
WLANLGCUB	CubicleBUS analog output module
WLRLYCUB	CubicleBUS digital output relay module w/ rotary switch
WLRLYCCUB	CubicleBUS digital output relay module (Configurable)
WLDGNCUB	CubicleBUS digital input module
<b>Cables for CubicleBus modules</b>	
WLCBUSCABLE02	CubicleBUS RJ45-M communication cable - 0.2 meters
WLCBUSCABLE1	CubicleBUS RJ45-M communication cable - 1 meter
WLCBUSCABLE2	CubicleBUS RJ45-M communication cable - 2 meters
WLCBUSCABLE4	CubicleBUS RJ45-M communication cable - 4 meters
WLCBUSCABLE9	CubicleBUS RJ45-M communication cable - 9 meters
<b>External communication devices</b>	
WLBdap	BDA plus, electronic trip unit parameterization
WLBdapWR	BDA power supply
WLBdapMNT	BDA perm mount cable to X8
<b>Technical support literature</b>	
WLULOPMAN1	Operation Manual for UL489 Breakers
WLLOPMAN1	Operation Manual for UL1066/ANSI Breakers
TYZ:WL_RET_REP	Breaker return, repair and RGA

# WL Spare/Replacement Parts

## Communication Components

Selection

Typical certified test report

**SIEMENS**

Ft. Worth, TX

### WL Low Voltage Power Circuit Breaker Certified Test Report

Catalog #:

Breaker Type:

CBID:

FS: Frame Rating:

Base Frame ID:

Interrupt Cap:

Trip Unit ID:

Test Station:

Rating Plug:

Production Order:

Sold To:

Ship To:

Test Date: **7/15/2014**

- Identify Test Performed - Incl. Programming, Labeling, Catalog Order Check
- Mechanical Accessory Tests Performed - Incl. Manual Mechanism Charging, Anti-Pumping, Trip/Close Solenoids, UVR, Motor, Aux. Switch Bell Alarms etc. (as per installed)
- Dielectric / Hi-Pot Tests Performed - Incl. @2.65 kV: Open x A,B,C; Closed: AB, BC, AC, AG, BG, CG  
@1.80 kV: Accessories to Ground  
@1.20kV: Motor connection to Ground

#### Primary Injection

#### Settings

#### Results

#### Acceptable Range

#### Test

ETU Initial settings / Test Current etc.; See Note 3 **A**

**B**

**C**

\*

**Min**

**Max**

Test	Settings	Results	Acceptable Range
	IR(xIn): PU A: tR(s):		
Long TIme Pickup (A)	IR(xIn): PU A: tR(s):		
Long Time Delay (S)	Test Current:		
Short Time Pickup (A)	Isd (xIn): PU A: Tsd(s):		
Short Time Delay (S)	Tsd(s): Test Current:		
Instantaneous Pickup (A)	Ii (xIn): PU A:		
Ground Fault Pickup (A)	Trip: Alarm: Tg(s):		
Neutral Delay (S)	tR(s): IN (xIn): ON / IN = 0.5 x In PU A: Test Current:		

UVR Drop-out Voltage:

#### Notes:

1. This WL Low Voltage Power Circuit Breaker was tested in accordance with ANSI C37.50-1989
2. The above tests were carried out according to controlled Siemens-Ft. Worth test inspection plans and standards on calibrated equipment. This process and documentation is controlled and audited by UL in accordance with ISO9001:2008. Certification available upon request.
3. All delay test settings are the same as for the preceding pickup test unless otherwise noted. PU A = Function pickup setting in Amperes.
4. All WL Circuit Breaker ETUs are set to factory default safety settings prior to shipment.  
[Lowest Pickups, Shortest Delays, N-protection off, Memory Off, GF=sumI]
5. The above product identification information [ETU, Catalog Number etc.] is accurate as of the test date. Any changes to this configuration are not covered by the above test results.
6. For product support, please contact your sales representative or customer service at: mark.vandre@siemens.com
7. DNT indicates 'Did Not Test' and represents a test not applicable to this configured breaker.

(signed)

Quality Manager, Siemens - Ft. Worth ModCenter

Source: Ft. Worth ModCenter Product Traceability System  
Page: 1 of 1

**SIEMENS**  
Ft. Worth

Date Printed:

6

WL POWER  
CIRCUIT BREAKERS



# WL Spare/Replacement Parts

## Communication Components

*Selection*

### Quick reference guide

Task	Accessories
Manual charging circuit breaker to electrically operated circuit breaker...	<ul style="list-style-type: none"> <li>• WLELCMTRXX</li> <li>• WLMCOSW Motor Cut-off switch (Optional)</li> </ul>
Remote operation of circuit breaker	<ul style="list-style-type: none"> <li>• WLELCMTRXX</li> <li>• WLMCOSW Motor Cut-off switch (Optional)</li> <li>• Shunt Trip (WLSTXX)</li> <li>• Close coil (WLRCSXX)</li> <li>• Control Power</li> </ul>
Remote operation of circuit breaker via communications	<ul style="list-style-type: none"> <li>• WLELCMTRXX</li> <li>• WLMCOSW Motor Cut-off switch (Optional)</li> <li>• Shunt Trip (WLSTXX)</li> <li>• Close coil (WLRCSXX)</li> <li>• Com15/Com 16 (WLCMXX)</li> <li>• 24V DC Power Supply</li> <li>• Power supply for electric motor, shunt trip etc, should be separate than the one used for trip unit.</li> </ul>
Dynamic Arc Sentry (DAS)	<ul style="list-style-type: none"> <li>• WLDGNCUB (Digital Input Cubicle)</li> <li>• 24V DC Class 2 Power Supply</li> </ul>
	Add the following to obtain tangible verification of the parameter switching
	<ul style="list-style-type: none"> <li>• WLRLYCCUB (Configurable Relay output)</li> </ul>
PROFIBUS Addition	Add the following for use with communications
	<ul style="list-style-type: none"> <li>• WLCM15M for PROFIBUS</li> <li>• WLCM16MD for MODBUS</li> </ul>
MODBUS Addition	To a circuit breaker:
	<ul style="list-style-type: none"> <li>• WLCM15M + WLBSS</li> <li>• WLCM15RET includes (WLCM15M+WLBSS). This uses the 24VDC Class 2 power supply used for the ETU.</li> </ul>
MODBUS Addition	To a switch:
	<ul style="list-style-type: none"> <li>• WLCM15M + WLBSS + External 24VDC Class 2 UL Power Supply (WLSITOP25)</li> </ul>
Power Supply Requirements	<p>For ETU, COMM and Cubicle bus modules, the power supply should be UL Listed Class 2 24VDC</p> <ul style="list-style-type: none"> <li>• WLSITOP25 (2.5A) : good for 2 breakers (2ETUs, COMM Cubicle bus Modules)</li> <li>• WLSITOP1 (3.8A): good for up to 4 breakers (4ETUs, COMM Cubicle bus Modules)</li> </ul>

6

WL POWER  
CIRCUIT BREAKERS

# WL Spare/Replacement Parts

## Communication Components

*Selection*

Accessory	Description
WLELCMTRXX	<ul style="list-style-type: none"> <li>• Charging motor</li> <li>• 24VDC/48VDC/125VDC/250VDC/120VAC/240VAC</li> </ul>
WLMCOSW	<ul style="list-style-type: none"> <li>• Motor cut-off switch</li> </ul>
WLSTXX	<ul style="list-style-type: none"> <li>• Shunt trip</li> <li>• 3-cycle or continuous duty</li> <li>• 24VDC/48VDC/125VDC/250VDC/120VAC/240VAC</li> </ul>
WLRCSEX	<ul style="list-style-type: none"> <li>• Closing coil</li> <li>• 3-cycle</li> <li>• 24VDC/48VDC/125VDC/250VDC/120VAC/240VAC</li> </ul>
WLBSS	<ul style="list-style-type: none"> <li>• Breaker Status Sensor (BSS Board)</li> </ul>
WLSITOP25	<ul style="list-style-type: none"> <li>• Power supply for trip unit and communications</li> <li>• 24VDC</li> <li>• 2.5A SITOP Power, Class 2</li> </ul>
WLSITOP1	<ul style="list-style-type: none"> <li>• Power supply for trip unit and communications</li> <li>• 24VDC</li> <li>• 3.8A SITOP Power, Class 2</li> </ul>
WLCM15M	<ul style="list-style-type: none"> <li>• COM 15 PROFIBUS Communication Module</li> </ul>
WLCM15RET	<ul style="list-style-type: none"> <li>• COM 15 PROFIBUS Communication Module with BSS</li> </ul>
WLCM16MD	<ul style="list-style-type: none"> <li>• COM 16 MODBUS Communication Module</li> </ul>
WLCM16RET	<ul style="list-style-type: none"> <li>• COM 16 MODBUS Communication Module with BSS</li> </ul>

6

WL POWER  
CIRCUIT BREAKERS

# WL Power Circuit Breaker

## Ratings for 4 Pole UL 1066 (ANSI C37) Listed Breakers

*Selection*

WL frame ratings – Frame size 2		800A			1600A		
Rating Class		S	H	L	S	H	L
Interrupting current frame $I_{CS}$ (kAIR RMS) 50/60 Hz							
	254VAC	65	85	100	65	85	100
	508VAC	65	85	100	65	85	100
	635VAC	65	65	85	65	65	85
Short-time current $I_{CW}$ (kA RMS)	1 sec.	65	65	85	65	65	85
Close and latch rating (kA RMS)		65	65	85	65	65	85
Applicable rating plug range		200 - 800A			200 - 1600A		
Minimum enclosure dimension (in.)		32Wx22.5Hx19.5D			32Wx22.5Hx19.5D		
Mechanical make-time (ms)		35			35		
Mechanical break-time (ms)		34			34		
Electric close make-time (ms)		50			50		
Electric trip/ UV break-time (ms)		40/73			40/73		
Electric trip and reclose interval (ms)		80			80		
Mechanical duty cycles (with maint.) <sup>1</sup>		15000			15000		
Electrical duty cycles (with maint.) <sup>1</sup>		15000			15000		
Draw-out breaker efficiency (Watts loss at rated $I_N$ )		85			320		
Ambient operating temperature (°C)		-25 to 40			-25 to 40		
Weights (D.O. Breaker/Cradle/Fixed mount) lbs.		210/161/185			210/161/185		

WL frame ratings – Frame size 2		2000A			3200A		
Rating Class		S	H	L	S	H	L
Interrupting current frame $I_{CS}$ (kAIR RMS) 50/60 Hz							
	254VAC	65	85	100	65	85	100
	508VAC	65	85	100	65	85	100
	635VAC	65	65	85	65	65	85
Short-time current $I_{CW}$ (kA RMS)	1 sec.	65	65	85	65	65	85
Close and latch rating (kA RMS)		65	65	85	65	65	85
Applicable rating plug range		200 - 2000A			200 - 3200A		
Minimum enclosure dimension (in.)		32Wx22.5Hx19.5D			32Wx22.5Hx19.5D		
Mechanical make-time (ms)		35			35		
Mechanical break-time (ms)		34			34		
Electric close make-time (ms)		50			50		
Electric trip/ UV break-time (ms)		40/73			40/73		
Electric trip and reclose interval (ms)		80			80		
Mechanical duty cycles (with maint.) <sup>1</sup>		15000			15000		
Electrical duty cycles (with maint.) <sup>1</sup>		15000			15000		
Draw-out breaker efficiency (Watts loss at rated $I_N$ )		700			1650		
Ambient operating temperature (°C)		-25 to 40			-25 to 40		
Weights (D.O. Breaker/Cradle/Fixed mount) lbs.		227/181/203			258/212/229		

<sup>1</sup> Maintenance means: replacing main contacts and arc chutes (see operating instructions).

# WL Power Circuit Breaker

## Ratings for 4 Pole UL 1066 (ANSI C37) Listed Breakers

*Selection*

WL frame ratings – Frame size 3		4000A	5000A
<b>Rating Class</b>		L	L
Interrupting current frame $I_{CS}$ (kAIR RMS) 50/60 Hz	254VAC	100	100
	508VAC	100	100
	635VAC	85	85
Short-time current $I_{CW}$ (kA RMS)	1 sec.	85	85
Close and latch rating (kA RMS)		85	85
Applicable rating plug range		800 - 4000A	800 - 5000A
Minimum enclosure dimension (in.)		42Wx22.5Hx19.5D	42Wx22.5Hx19.5D
Mechanical make-time (ms)		35	35
Mechanical break-time (ms)		34	34
Electric close make-time (ms)		50	50
Electric trip/UV break-time (ms)		40/73	40/73
Electric trip and reclose interval (ms)		80	80
Mechanical duty cycles (with maint.) <sup>1</sup>		10000	10000
Electrical duty cycles (with maint.) <sup>1</sup>		10000	10000
Draw-out breaker efficiency (Watts loss at rated $I_n$ )		1100	1650
Ambient operating temperature (°C)		-25 to 40	-25 to 40
Weights (D.O. Breaker/Cradle/Fixed mount) lbs.		434/410/375	434/410/375

## Ratings for UL 1066 Listed Non-automatic Switches

WL frame ratings		Frame size 2 800 - 3200A	Frame size 3 4000 - 5000A
<b>Rating Class</b>		L	L
Breaking capacity with external relay (kA RMS) 50/60 Hz, instantaneous trip	254VAC	100	100
	508VAC	100	100
	635VAC	85	85
Short-time current $I_{cw}$ (kA RMS)	1 sec.	85	100 <sup>2</sup>

<sup>1</sup> Maintenance means: replacing main contacts and arc chutes (see operating instructions).

<sup>2</sup> Do not apply switch or breaker rated at 635VAC to a system with fault current > 85kA RMS.

# WL Power Circuit Breaker

UL 1066 Listed Catalogue Number

Selection

Interrupting rating, frame size, breaker type and frame rating									Breaker catalog number						7	8	9	10	11	12	13	14	15
Class	Interrupt rating (kA)		Frame Max. ampere rating (A)	Frame size		Neutral CT		1	2	3	4	5	6	7	8	9	10	11	12	13	14	15	
	254VAC 508VAC	635VAC		2	3	Fixed	Drawout																Neutral CT
S	65	65	800	X			X	X	S	2	A	4	0	8									
S	65	65	800	X		X			S	2	H	4	0	8									
S	65	65	800	X			X		S	2	G	4	0	8									
S	65	65	800	X		X		X	S	2	K	4	0	8									
S	65	65	1600	X			X	X	S	2	A	4	1	6									
S	65	65	1600	X		X			S	2	H	4	1	6									
S	65	65	1600	X			X		S	2	G	4	1	6									
S	65	65	1600	X		X		X	S	2	K	4	1	6									
S	65	65	2000	X			X	X	S	2	A	4	2	0									
S	65	65	2000	X		X			S	2	H	4	2	0									
S	65	65	2000	X			X		S	2	G	4	2	0									
S	65	65	2000	X		X		X	S	2	K	4	2	0									
S	65	65	3200	X			X	X	S	2	A	4	3	2									
S	65	65	3200	X		X			S	2	H	4	3	2									
S	65	65	3200	X			X		S	2	G	4	3	2									
S	65	65	3200	X		X		X	S	2	K	4	3	2									
H	85	65	800	X			X	X	H	2	A	4	0	8									
H	85	65	800	X		X			H	2	H	4	0	8									
H	85	65	800	X			X		H	2	G	4	0	8									
H	85	65	800	X		X		X	H	2	K	4	0	8									
H	85	65	1600	X			X	X	H	2	A	4	1	6									
H	85	65	1600	X		X			H	2	H	4	1	6									
H	85	65	1600	X			X		H	2	G	4	1	6									
H	85	65	1600	X		X		X	H	2	K	4	1	6									
H	85	65	2000	X			X	X	H	2	A	4	2	0									
H	85	65	2000	X		X			H	2	H	4	2	0									
H	85	65	2000	X			X		H	2	G	4	2	0									
H	85	65	2000	X		X		X	H	2	K	4	2	0									
H	85	65	3200	X			X	X	H	2	A	4	3	2									
H	85	65	3200	X		X			H	2	H	4	3	2									
H	85	65	3200	X			X		H	2	G	4	3	2									
H	85	65	3200	X		X		X	H	2	K	4	3	2									
L	100	85	800	X			X	X	L	2	A	4	0	8									
L	100	85	800	X		X			L	2	H	4	0	8									
L	100	85	800	X			X		L	2	G	4	0	8									
L	100	85	800	X		X		X	L	2	K	4	0	8									
L	100	85	1600	X			X	X	L	2	A	4	1	6									
L	100	85	1600	X		X			L	2	H	4	1	6									
L	100	85	1600	X			X		L	2	G	4	1	6									
L	100	85	1600	X		X		X	L	2	K	4	1	6									
L	100	85	2000	X			X	X	L	2	A	4	2	0									
L	100	85	2000	X		X			L	2	H	4	2	0									
L	100	85	2000	X			X		L	2	G	4	2	0									
L	100	85	2000	X		X		X	L	2	K	4	2	0									
L	100	85	3200	X			X	X	L	2	A	4	3	2									
L	100	85	3200 <sup>1</sup>	X		X			L	2	H	4	3	2									
L	100	85	3200	X			X		L	2	G	4	3	2									
L	100	85	3200 <sup>1</sup>	X		X		X	L	2	K	4	3	2									
L	100	85	4000		X		X	X	L	3	A	4	4	0									
L	100	85	4000 <sup>1</sup>		X	X			L	3	H	4	4	0									
L	100	85	4000		X		X		L	3	G	4	4	0									
L	100	85	4000 <sup>1</sup>		X	X		X	L	3	K	4	4	0									
L	100	85	5000		X		X	X	L	3	A	4	5	0									
L	100	85	5000 <sup>1</sup>		X	X			L	3	H	4	5	0									
L	100	85	5000		X		X		L	3	G	4	5	0									
L	100	85	5000 <sup>1</sup>		X	X		X	L	3	K	4	5	0									

<sup>1</sup> FS2 3200A, FS3 4000A/5000A fixed mount breakers have vertical rear connectors included as standard.

# WL Power Circuit Breaker

UL 1066 Listed Catalogue Number

*Selection*

Rating plug			Breaker catalog number														
Maximum continuous Current rating (A)	Frame size 2	Frame size 3	1	2	3	4	5	6	7	8	9	10	11	12	13	14	15
200	X									A							
225	X									B							
250	X									C							
300	X									D							
315	X									E							
350	X									F							
400	X									G							
450	X									H							
500	X									J							
600	X									K							
630	X									L							
700	X									M							
800	X	X								N							
1000	X	X								P							
1200	X	X								Q							
1250	X	X								R							
1600	X	X								T							
2000	X	X								U							
2500	X	X								V							
3000	X	X								W							
3200	X	X								Y							
4000		X								Z							
5000		X								1							

## Electronic trip units (ETU)

Trip unit type	Protective function			LCD display alpha num.	Ground fault module		
	L	S	I		Alarm	Trip	
ETU745	X	(X)	(X)				C
ETU745	X	(X)	(X)	X			D
ETU745	X	(X)	(X)		X		E
ETU745	X	(X)	(X)	X	X		F
ETU745	X	(X)	(X)		X	X	G
ETU745	X	(X)	(X)	X	X	X	H
ETU748	X	X					J
ETU748	X	X		X			K
ETU748	X	X			X		L
ETU748	X	X		X	X		N
ETU748	X	X			X	X	P
ETU748	X	X		X	X	X	Q
ETU776	X	(X)	(X)				V
ETU776	X	(X)	(X)		X		W
ETU776	X	(X)	(X)		X	X	Y

( ) Function can be disabled by user.

# WL Power Circuit Breaker

UL 1066 Listed Catalogue Number

*Selection*

Bell alarm, breaker ready-to-close, auxiliary contacts					Breaker catalog number																
					1	2	3	4	5	6	7	8	9	10	11	12	13	14	15		
Remote reset coil voltage		Form C Contacts	Breaker ready-to-close 1b contact	Breaker open/close auxiliary switches																	
AC	DC			2a + 2b	4a + 4b																
						None															
		X				X															
			X			A															
				X		B															
					X	C															
						X	D														
		X	X			E															
		X		X		F															
		X			X	G															
			X	X		H															
			X		X	I															
		X	X	X		J															
		X	X		X	K															
	24	X				L															
	48	X				M															
120	250	X				N															
240	250	X				O															
	24	X	X			P															
	48	X	X			Q															
120	125	X	X			R															
240	250	X	X			S															
	24	X		X		T															
	48	X		X		U															
120	125	X		X		V															
240	250	X		X		W															
	24	X			X	Y															
	48	X			X	Z															
120	125	X			X	1															
240	250	X			X	2															
	24	X	X	X		3															
	48	X	X	X		4															
120	125	X	X	X		5															
240	250	X	X	X		6															
	24	X	X		X	7															
	48	X	X		X	8															
120	125	X	X		X	9															
240	250	X	X		X																

## Shunt trip

Control voltage		Status contact															
AC	DC																
			None														
	24		X														
	48		A														
			B														
120	125		C														
240	250		D														
	24	X	E														
	48	X	F														
120	125	X	G														
240	250	X	H														



# WL Power Circuit Breaker

## UL 1066 Listed Non-automatic Catalogue Number

Selection

Undervoltage release (with or without time delay) or 2nd shunt trip					Breaker catalog number														
					1	2	3	4	5	6	7	8	9	10	11	12	13	14	15
Control voltage		UVR without delay	UVR with delay	UVR status contact 1	2nd shunt trip														
AC	DC					None										X			
	24	X																A	
	48	X																B	
120	125	X																C	
240	250	X																D	
	48		X															E	
120	125		X															F	
240	250		X															G	
	24				X													H	
	48				X													J	
120	125				X													K	
240	250				X													L	
	24	X		X														M	
	48	X		X														N	
120	125	X		X														P	
240	250	X		X														Q	
	48		X	X														R	
	125		X	X														S	
120	250		X	X														T	

### Charging motor, motor switch, operations counter

Charging motor operation voltage		Motor cut-off switch	Operations counter															
AC	DC			None										X				
	24																	A
	48																	B
120	125																	C
240	250																	D
	24	X																E
	48	X																F
120	125	X																G
240	250	X																H
	24			X														J
	48			X														K
120	125			X														L
240	250			X														M
	24	X		X														N
	48	X		X														P
120	125	X		X														Q
240	250	X		X														R

<sup>1</sup> Status contact only available when communication is not installed. Signal is sent via communication in lieu of status contact.

# WL Power Circuit Breaker

UL 1066 Listed Non-automatic Catalogue Number

*Selection*

Close coil, power metering and communications					Breaker catalog number														
					1	2	3	4	5	6	7	8	9	10	11	12	13	14	15
Close coil operation voltage		Power metering capable <sup>1</sup>	Modbus <sup>2</sup>	PROFIBUS <sup>2</sup>															
AC	DC				None										X				
	24																A		
	48																B		
120	125																C		
240	250																D		
			X														G		
				X													H		
	24		X														N		
	24			X													P		
	48		X														S		
	48			X													T		
120	125		X														W		
120	125			X													Y		
240	250		X														2		
240	250			X													3		
	24	X	X														Q		
	48	X	X														U		
120	125	X	X														Z		
240	250	X	X														4		
	24	X		X													R		
	48	X		X													V		
120	125	X		X													1		
240	250	X		X													5		
		X	X														L		
		X		X													M		
		X															F		
	24	X															6		
	48	X															7		
120	125	X															8		
240	250	X															9		

## Breaker locks

Key lock breaker OPEN position (lock type – KIRK <sup>3</sup> )	Key lock breaker OPEN position (lock type – SUPERIOR <sup>3</sup> )	Padlock provisions for OPEN and CLOSE pushbuttons <sup>4</sup>	Padlock provisions for charging handle														
				None										X			
X																	A
		X															C
	X						X										E
X			X														F
X		X															G
	X		X														J
X				X													S
	X				X												U
		X				X											V
X			X			X											W
	X		X			X											Z

## Miscellaneous options<sup>5</sup>

Key lock breaker OPEN position (provisions only) <sup>4</sup>	Manual trip reset ETU (Automatic trip reset is standard)																
		None												N			
X													w			B	
		X															C
X		X															D

1 Requires External PTs for voltage input and 24VDC power supply.

2 Includes BSS device and requires 24VDC power supply.

3 Custom key locks are not available and must be supplied by others. Order key lock provision if custom if keyed alike locks are required.

4 Locks provided by others.

5 If a breaker lock is chosen for Digit 14, a provision need not be ordered in Digit 15.

# WL Power Circuit Breaker

## UL 1066 Listed Non-automatic Catalogue Number

*Selection*

Breaking capacity, frame size, switch type and frame rating								Switch catalog number														
Class	Interrupt rating (kA)		Frame Max. ampere rating (A)	Frame size		Fixed	Drawout	1	2	3	4	5	6	7	8	9	10	11	12	13	14	15
	254VAC 508VAC	635VAC		2	3			↑	↑	↑	↑	↑	↑	↑	↑	↑	↑	↑	↑	↑	↑	↑
L	100	85	800	X		X		L	2	J	4	0	8	S	S							
L	100	85	800	X			X	L	2	S	4	0	8	S	S							
L	100	85	1600	X		X		L	2	J	4	1	6	S	S							
L	100	85	1600	X			X	L	2	S	4	1	6	S	S							
L	100	85	2000	X		X		L	2	J	4	2	0	S	S							
L	100	85	2000	X			X	L	2	S	4	2	0	S	S							
L	100	85	3200	X		X		L	2	J	4	3	2	S	S							
L	100	85	3200	X			X	L	2	S	4	3	2	S	S							
L	100	85	4000		X	X		L	3	J	4	4	0	S	S							
L	100	85	4000		X		X	L	3	S	4	4	0	S	S							
L	100	85	5000		X	X		L	3	J	4	5	0	S	S							
L	100	85	5000		X		X	L	3	S	4	5	0	S	S							

# WL Power Circuit Breaker

UL 1066 Listed Non-automatic Catalogue Number

*Selection*

Breaker ready-to-close auxiliary contacts			Switch catalog number																		
			1	2	3	4	5	6	7	8	9	10	11	12	13	14	15				
Breaker ready-to-close	Breaker open/close auxiliary switches																				
1b contact	2a + 2b	4a + 4b	None									X									
X												B									
	X											C									
		X										D									
X	X											H									
X		X										I									

## Shunt trip

Operation voltage		Status contact																			
AC	DC		1	2	3	4	5	6	7	8	9	10	11	12	13	14	15				
			None									X									
	24											A									
	48											B									
120	125											C									
240	250											D									
	24	X										E									
	48	X										F									
120	125	X										G									
240	250	X										H									

## Undervoltage release (with or without time delay) or 2nd shunt trip

Operation voltage		UVR without delay	UVR with delay	UVR status contact <sup>1</sup>	2nd shunt trip																		
AC	DC					1	2	3	4	5	6	7	8	9	10	11	12	13	14	15			
						None									X								
	24	X													A								
	48	X													B								
120	125	X													C								
240	250	x													D								
	48		X												E								
120	125		X												F								
240	250		X												G								
	24				X										H								
	48				X										J								
120	125				X										K								
240	250				X										L								
	24	X		X											M								
	48	X		X											N								
120	125	X		X											P								
240	250	X		X											Q								
	48	X		X											R								
	125		X	X											S								
120	250		X	X											T								

<sup>1</sup> Status contact only available when communication is not installed. Signal is sent via communication in lieu of status contact.

# WL Power Circuit Breaker

UL 1066 Listed Non-automatic Catalogue Number

*Selection*

Charging motor, motor switch, operations counter				Switch catalog number														
				1	2	3	4	5	6	7	8	9	10	11	12	13	14	15
Charging motor operation voltage		Motor cutoff switch	Operations counter															
AC	DC																	
				None											X			
	24														A			
	48														B			
120	125														C			
240	250														D			
	24	X													E			
	48	X													F			
120	125	X													G			
240	250	X													H			
	24		X												J			
	48		X												K			
120	125		X												L			
240	250		X												M			
	24	X	X												N			
	48	X	X												P			
120	125	X	X												Q			
240	250	X	X												R			

## Close coil, communications

Charging motor operation voltage		Modbus 1	PROFIBUS 1												
AC	DC														
				None											X
		X													G
	24														A
	24	X													N
	48														B
	48	X													S
120	125														C
120	125	X													W
240	250														D
240	250	X													Z
			X												H
	24		X												P
	48		X												T
120	125		X												Y
240	250		X												3

<sup>1</sup> Requires 24VDC power supply. BSS is included.

# WL Power Circuit Breaker

## UL 1066 Listed Non-automatic Catalogue Number

*Selection*

Switch locks				Switch catalog number																
				1	2	3	4	5	6	7	8	9	10	11	12	13	14	15		
Key lock breaker OPEN position (lock type – KIRK) <sup>1</sup>	Key lock breaker OPEN position (lock type – SUPERIOR) <sup>1</sup>	Padlock provisions for OPEN and CLOSE pushbuttons <sup>2</sup>	Padlock provisions for charging handle	None													X			
X																	A			
		X															C			
			X														E			
	X																F			
X		X															G			
	X	X															J			
X			X														S			
	X		X														U			
		X	X														V			
X		X	X														W			
	X	X	X														Z			
<b>Miscellaneous options <sup>3</sup></b>																				
Key lock breaker OPEN position (provision only) <sup>2</sup>				None													N			
X																			B	

## UL 1066 Fixed Mount breaker vertical connector kits

Description	Catalog Number
FS 2 800A - 1600A Rear Vertical Connectors (8 pieces, includes Neutral Pole)	WL4L2R16CONUL
FS 2 2000A Rear Vertical Connectors (8 pieces, includes Neutral Pole)	WL4L2R20CONUL
FS 2 3200A Rear Vertical Connectors (8 pieces, includes Neutral Pole)	WL4L2R32CONUL <sup>4</sup>
FS 3 4000A - 5000A Rear Vertical Connectors (8 pieces, includes Neutral Pole)	WL4L3R50CONUL <sup>4</sup>

<sup>1</sup> Custom key locks are not available and must be supplied by others. Order Key Lock Provisions if custom keys or keyed alike breakers are required.

<sup>2</sup> Lock provided by others.

<sup>3</sup> If a breaker lock is chosen for Digit 14, a provision need not be ordered in Digit 15.

<sup>4</sup> FS II 3200A, FS III 4000A, 5000A breakers include vertical connectors as a standard.

# WL Power Circuit Breaker

## UL 1066 Listed Non-automatic Catalogue Number

*Selection*

Interrupting rating, frame size and frame rating					Cradle catalog number													
					G	2	3	4	5	6	7	8	9	10	11	12	13	14
Class	Interrupt rating (kA)		Frame	Frame size														
	240VAC 480VAC	600VAC		Max. ampere rating (A)	2	3												
S	65	65	800	X		S	2	4	0	8								
S	65	65	1600	X		S	2	4	1	6								
S	65	65	2000	X		S	2	4	2	0								
S	65	65	3200	X		S	2	4	3	2								
H	85	65	800	X		H	2	4	0	8								
H	85	65	1600	X		H	2	4	1	6								
H	85	65	2000	X		H	2	4	2	0								
H	85	65	3200	X		H	2	4	3	2								
L	100	85	800	X		L	2	4	0	8								
L	100	85	1600	X		L	2	4	1	6								
L	100	85	2000	X		L	2	4	2	0								
L	100	85	3200	X		L	2	4	3	2								
L	100	85	4000		X	L	3	4	4	0								
L	100	85	5000		X	L	3	4	5	0								

Type of secondary terminal connection <sup>1</sup>		
<b>For breakers:</b>		
Screw clamp terminals		P
Spring clamp terminals		T
Ring terminals		R
Spring clamp terminals (low profile, non-partable design)		K
<b>For switch (non-automatic)</b>		
Screw clamp terminals		D
Spring clamp terminals		E
Ring terminals		F
Screw clamp terminals, non-partable design)		M
<b>Truck Operated Contacts (TOC)</b>		
<b>Breaker position switches in the following configurations:</b>		
None		X
(1) Connected, (1) Test, (1) Disconnected – all Form C		1
(3) Connected, (2) Test, (1) Disconnected – all Form C		3
(6) Connected – all form C		6
<b>Cradle mounted key locks</b>		
None		X
Lock breaker in OPEN position (Kirk key)		A
Lock breaker in OPEN position (Superior key)		B
Double lock breaker in OPEN position (Kirk key)		C
Double lock breaker in OPEN position (Superior key)		D
Provision only – Lock breaker in OPEN position		E
Provision only – Double lock breaker in OPEN position		F
<b>Primary conductor isolation shutter</b>		
None		X
Isolation shutters		F

<sup>1</sup> Terminal blocks (X5, X6, X8, X9) are installed as standard.



# WL Power Circuit Breaker

UL 1066 Listed Catalog Number

Selection

			Cradle catalog number														
			G	2	3	4	5	6	7	8	9	10	11	12	13	14	15
<b>Arc chute cover</b>																	
None													X				
Arc chute covers													A				
Arc chute covers													B				
<b>Door locks and mechanical</b>																	
1. Mechanical interlock with 2.0 meter Bowden cable 2. Locks cubicle door, when breaker is in connect position 3. Locks against racking breaker if the cubicle door is open																	
1	2	3															
																	X
X																	M
	X																A
		X															C
X	X																D
X	X	X															E
X		X															G
	X	X															H
<b>Mechanism Operated Contacts (MOC)</b>																	
<b>Breaker open/close auxiliary switches (4a &amp; 4b) in the following positions:</b>																	
None																	X
Test and Connect position (FS2 only)																	M
Connect position (FS2 only)																	N
Test and Connect position (FS3 only)																	P
Connect position (FS3 only)																	Q
<b>Connector and heater options</b>																	
Standard read connectors																	X
Standard rear connectors and a cradle heater																	H
Rotatable rear connectors (FS2, 2000A and below & H Class)																	J
Rotatable rear connectors and a cradle heater (FS2, 2000A and below & H Class)																	K
<b>Future use</b>																	
Placeholder (required)																	N

## UL 1066 Listed cradle accessories

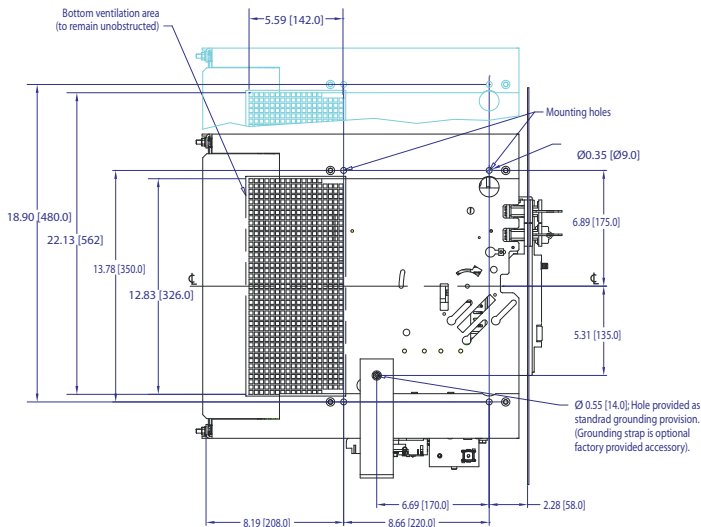
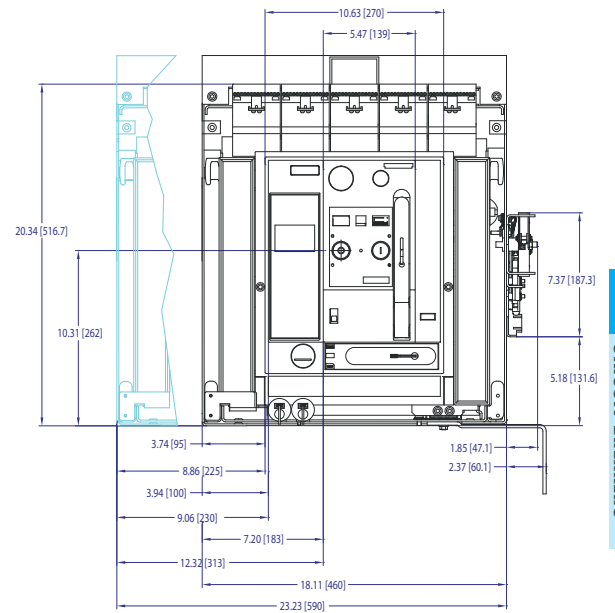
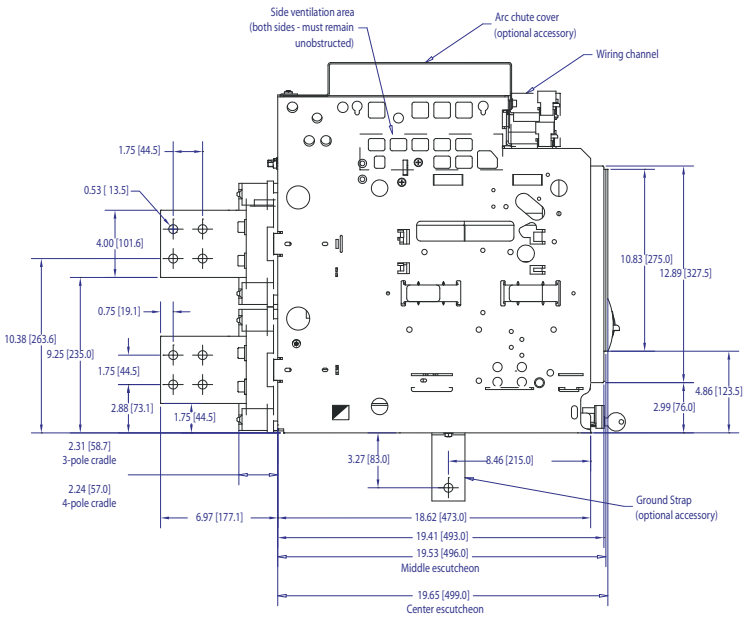
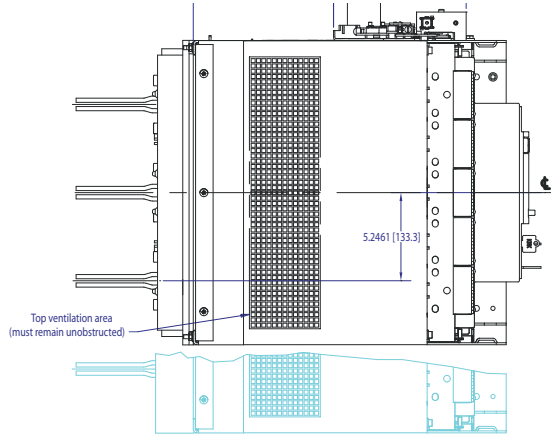
Cradle accessories	Catalog Number
WL FS2 SHUTTER, 4-Pole	WL4SHUT2L
WL FS3 SHUTTER, 4-Pole	WL4SHUT3L
WL FS2 Cradle Arc Chute Cover 4-Pole	WL4GARC2
WL FS3 Cradle Arc Chute Cover 4-Pole	WL4GARC3
WL Cradle Lock Single Kirk FS2 4-Pole	WL4DLKRRK2
WL Cradle Lock Single Superior FS2 4-Pole	WL4DLSUP2
WL Cradle Lock Double Kirk FS2 4-Pole	WL4DLDKRRK2
WL Cradle Lock Double Superior FS2 4-Pole	WL4DLDSUP2
WL Cradle Lock Single Provision FS2 4-Pole	WL4DLPR2
WL Cradle Lock Single Kirk FS3 4-Pole	WL4DLKRRK3
WL Cradle Lock Single Superior FS3 4-Pole	WL4DLSUP3
WL Cradle Lock Double Kirk FS3 4-Pole	WL4DLDKRRK3
WL Cradle Lock Double Superior FS3 4-Pole	WL4DLDSUP3
WL Cradle Lock Single Provision FS3 4-Pole	WL4DLPR3

# WL Power Circuit Breaker Cradles

UL 1066 Listed Non-automatic Catalogue Number

*Selection*

Frame Size II, Drawout (3-Pole and 4-Pole)



**6**  
WL POWER  
CIRCUIT BREAKERS

# WL Power Circuit Breaker Cradles

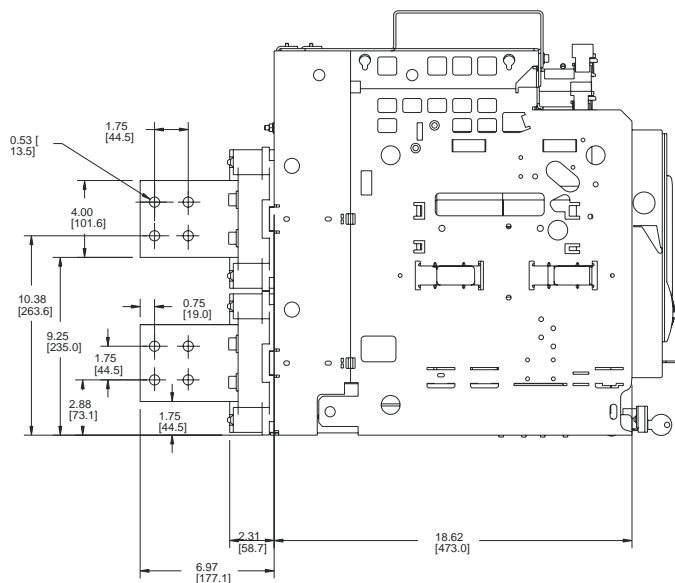
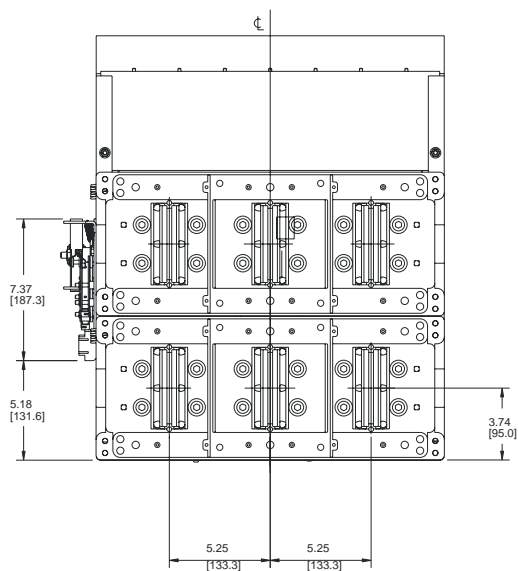
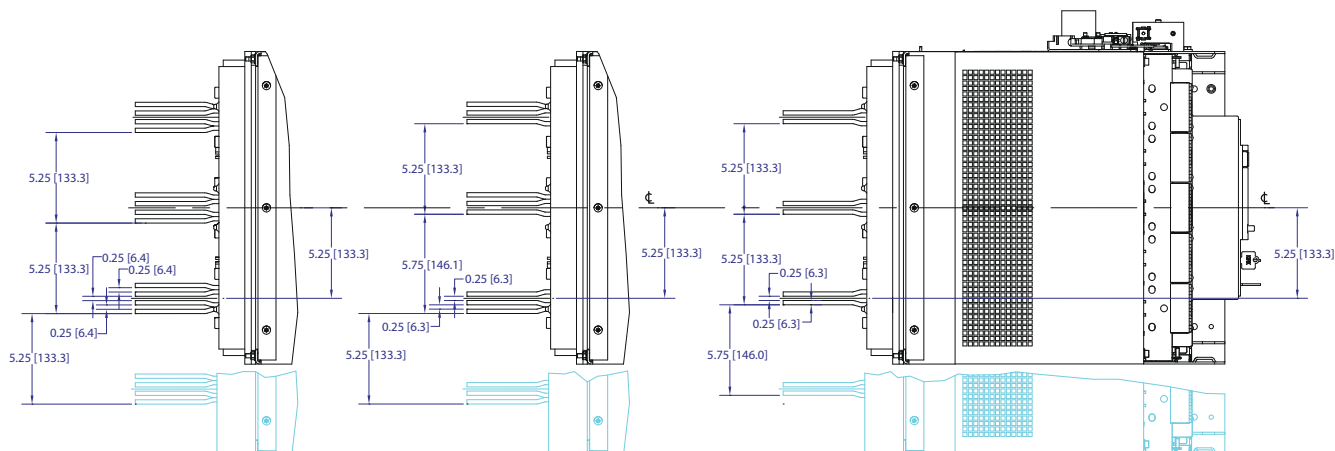
## Frame Sizes / Drawings

*Selection*

3200 A

2000 A

800/1600 A

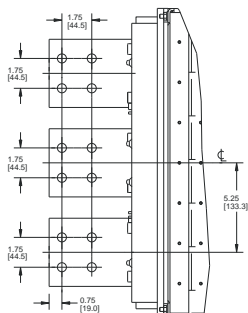


# WL Power Circuit Breaker Cradles

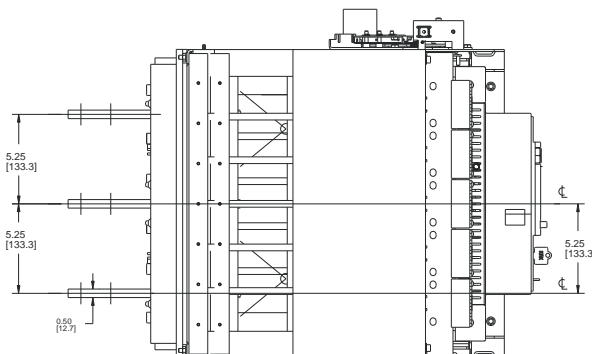
## Frame Sizes / Drawings

*Selection*

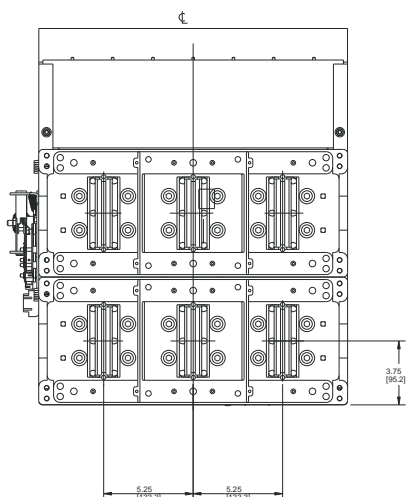
HORIZONTAL MAIN  
BUS CONNECTORS



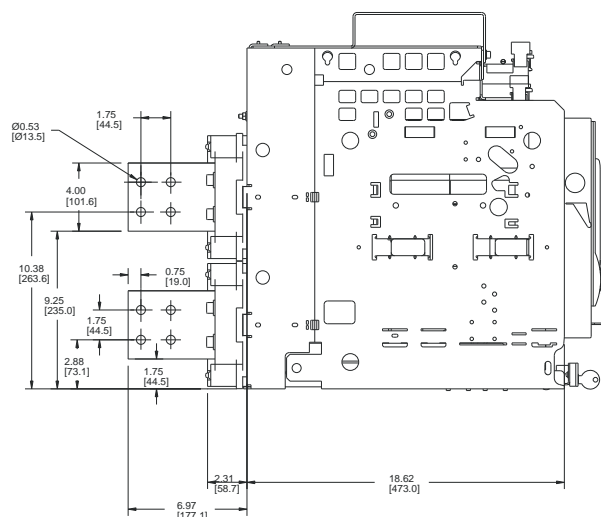
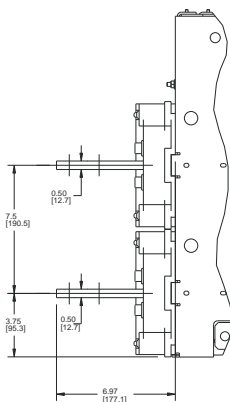
VERTICAL MAIN  
BUS CONNECTORS



HORIZONTAL MAIN  
BUS CONNECTORS



VERTICAL MAIN  
BUS CONNECTORS



**NOTE:**

ROTATABLE MAIN BUS CONNECTORS ARE ONLY AVAILABLE UNDER THE FOLLOWING CONDITIONS:

- (1) ONLY ACCEPTABLE FOR 3-POLE VERSIONS
- (2) ONLY ACCEPTABLE FOR FS2 800A-2000A
- (3) ONLY ACCEPTABLE FOR SHORT-CIRCUIT RATINGS OF 85kAIC OR LESS

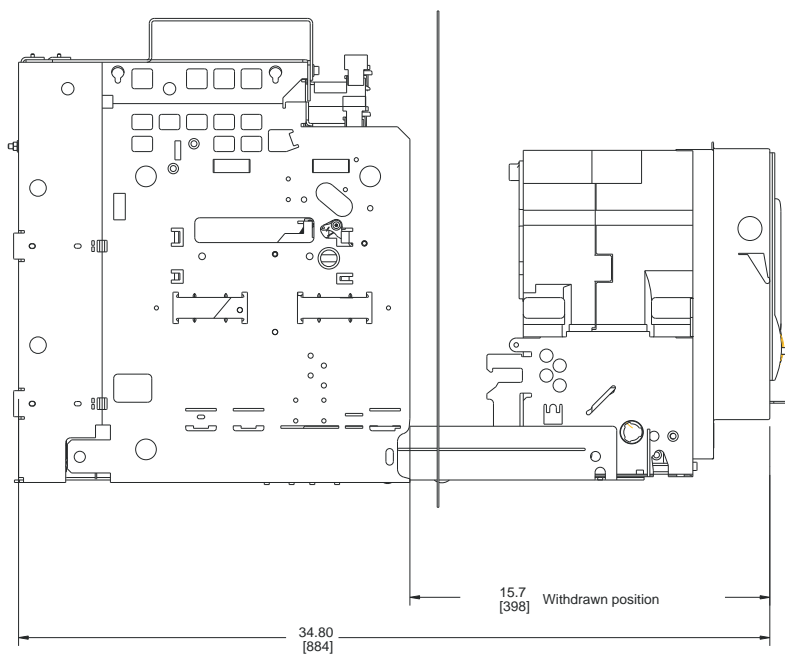
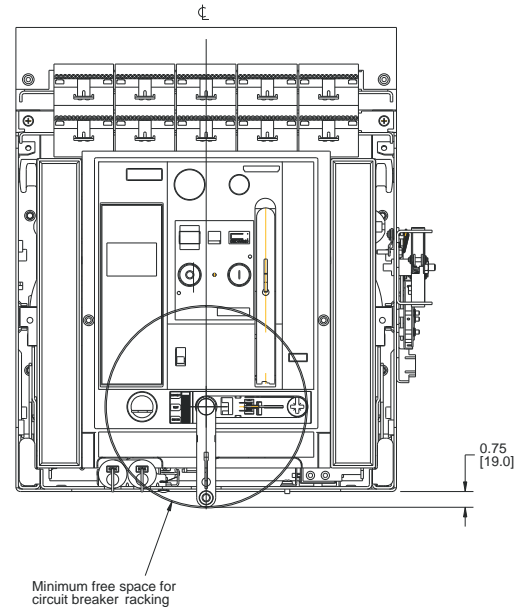
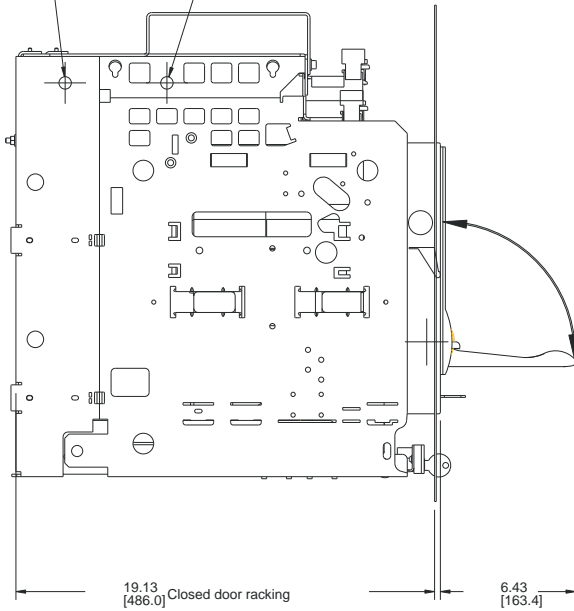
# WL Power Circuit Breaker Cradles

## Frame Sizes / Drawings

*Selection*

Lifting Point (Cradle only) Do not lift by other points.

Lifting Point (Cradle and Breaker) Do not lift by other points.



6

WL POWER  
CIRCUIT BREAKERS

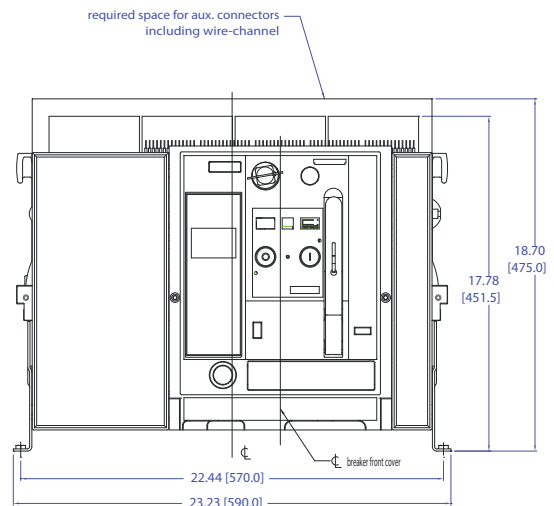
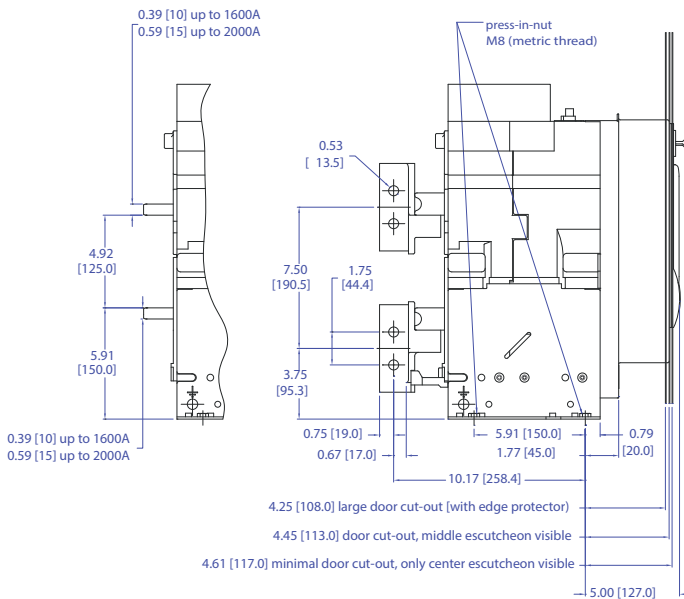
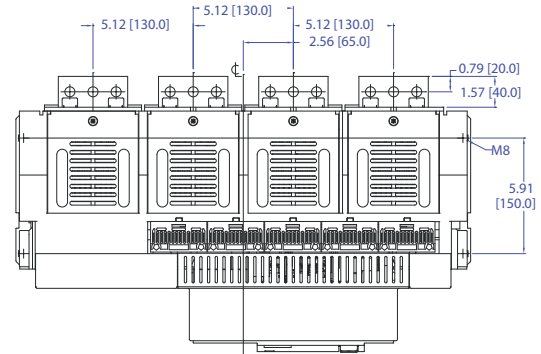
# WL Power Circuit Breaker Cradles

## Frame Sizes / Drawings

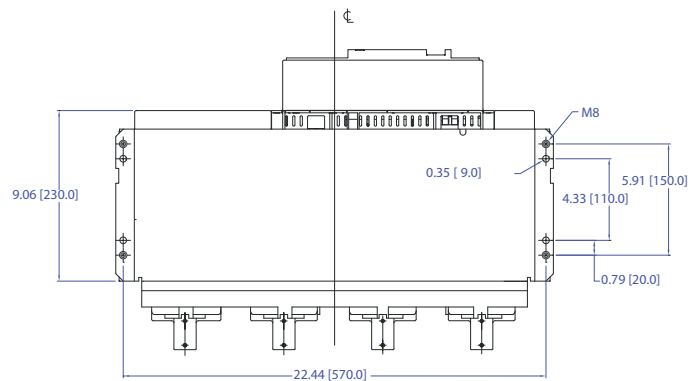
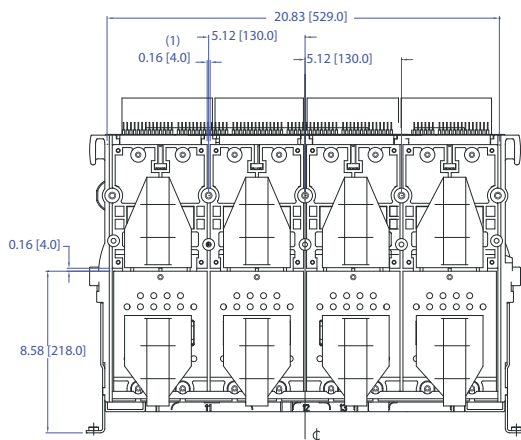
Selection

### Frame size II, fixed-mounted version

Fixed mount versions are only available with rear vertical connector for FS2 3200A and FS3 4000A/5000A



Rear View



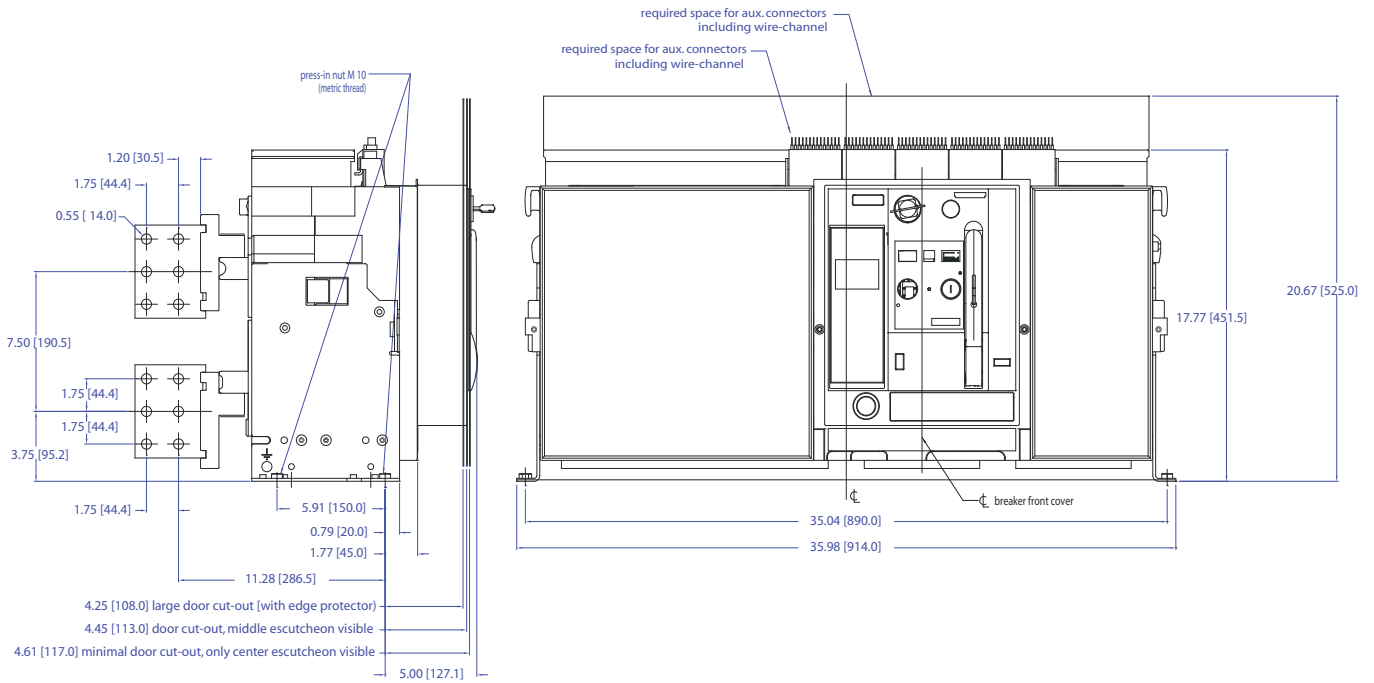
# WL Power Circuit Breaker Cradles

## Frame Sizes / Drawings

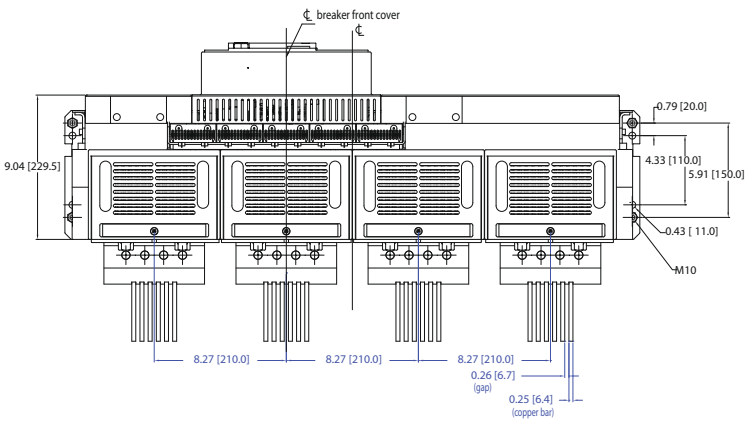
*Selection*

### Frame size III, fixed-mounted version

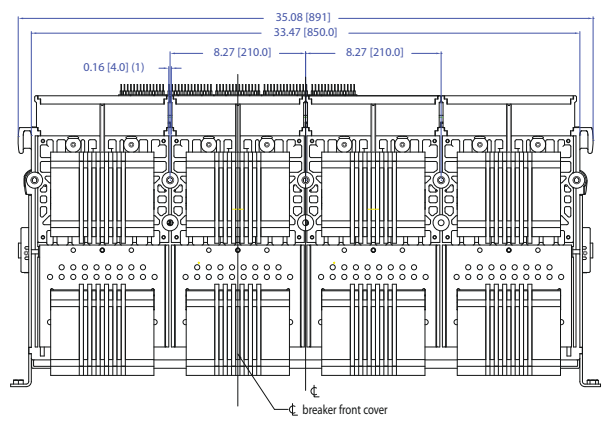
Fixed-mounted versions are only available as 4-pole with vertical connections.



Top view vertical connection



Rear view



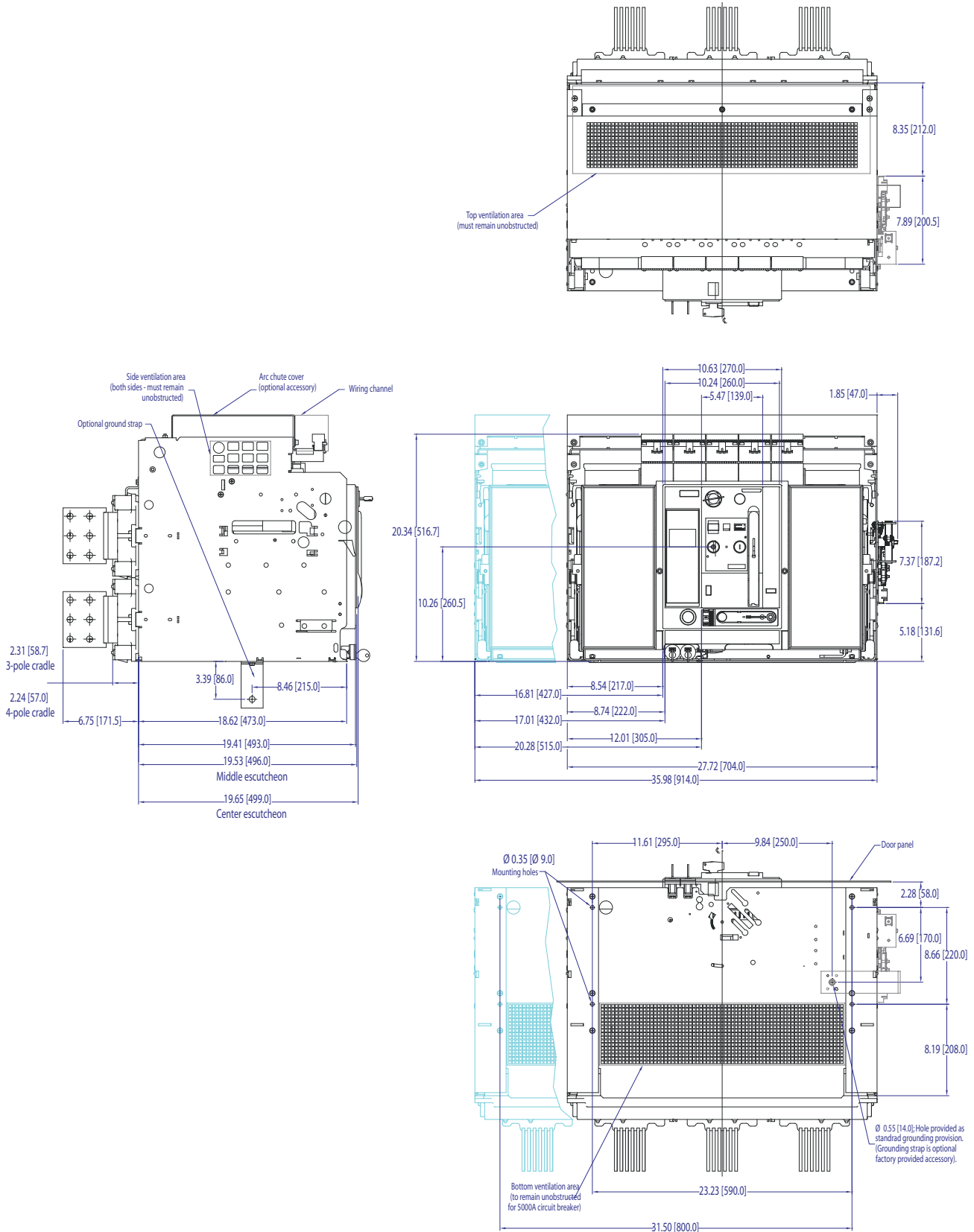


# WL Power Circuit Breaker Cradles

## Frame Sizes / Drawings

*Selection*

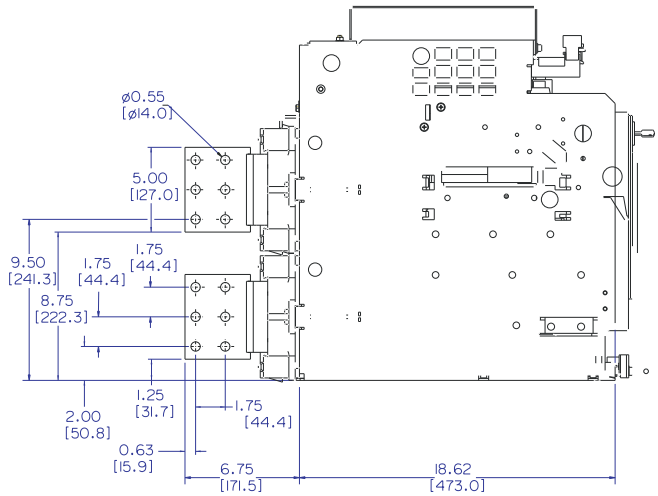
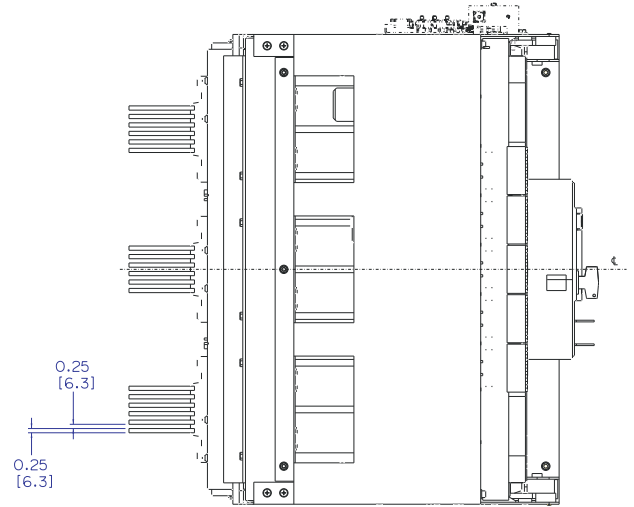
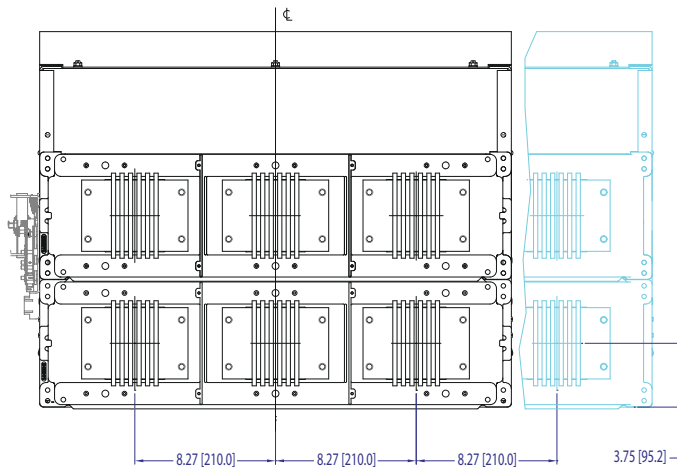
### Frame size III, Drawout (3-Pole and 4-Pole)



# WL Power Circuit Breaker Cradles

## Frame Sizes / Drawings

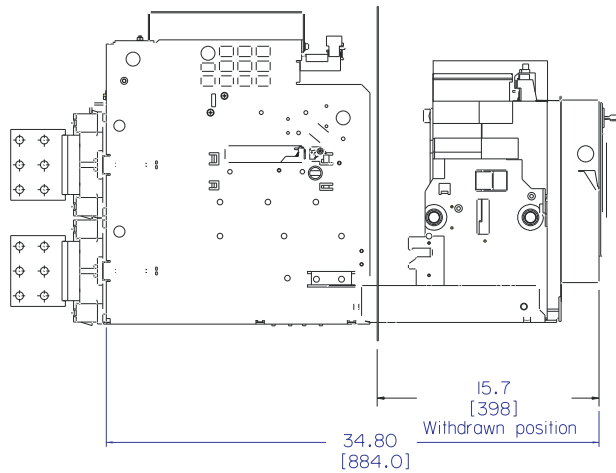
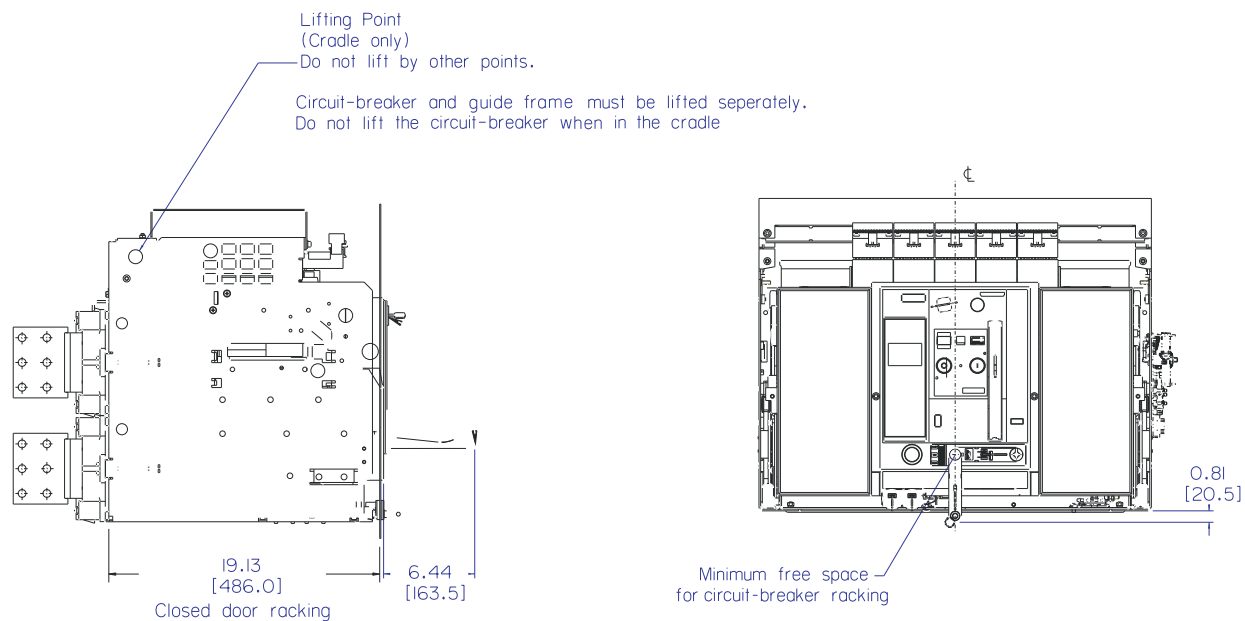
*Selection*



# WL Power Circuit Breaker Cradles

## Frame Sizes / Drawings

*Selection*



## Contents

---

**Dry Type Transformers**

Amperage Rating Reference Tables 7-2

Catalogue coding system 7-3

**NRCAN Rated General Purpose Transformers**

## Commercial Dry Type Transformers

Aluminium Winding 7-4

Copper Winding 7-5

## Industrial Dry Type Transformers

Aluminium Winding 7-6 – 7-7

Copper Winding 7-8 – 7-9

## K Rated Industrial Dry Type Transformers

Aluminium Winding 7-10

Copper Winding 7-11

Wiring Diagrams 7-12 – 7-13

Enclosure Figures 7-14 – 7-16

# Dry Type Transformers

## Amperage Rating Reference Tables

General

### Single Phase Transformer Amperage Ratings

Line Voltage (Volts)						
kVA	120	240	480	600	2400	4160
3	25.0	12.5	6.25	5.00	1.25	0.72
5	41.7	20.8	10.4	8.33	2.08	1.20
7.5	62.5	31.3	15.6	12.5	31.3	1.80
10	83.3	41.7	20.8	16.7	4.17	2.40
15	125	62.5	31.3	25.0	6.25	3.61
25	208	104	52.1	41.7	10.4	6.01
37.5	313	156	78.1	62.5	15.6	9.01
50	417	208	104	83.3	20.8	12.0
75	625	313	156	125	31.3	18.0
100	833	417	208	167	41.7	24.0
150	1250	625	313	250	62.5	36.1
200	1667	833	417	333	83.3	48.1
250	2083	1042	521	417	104	60.1
333	2775	1388	694	555	139	80.0

### Three Phase Transformer Amperage Ratings

Line Voltage (Volts)						
kVA	208	240	480	600	2400	4160
6	16.7	14.4	7.22	5.77	1.44	0.83
10	27.8	24.1	12.0	9.62	2.41	1.39
15	41.6	36.1	18.0	14.4	3.61	2.08
30	83.3	72.2	36.1	28.9	7.22	4.16
45	125	108	54.1	43.3	10.8	6.25
50	139	120	60.1	48.1	12.0	6.94
75	208	180	90.2	72.2	18.0	10.4
112.5	312	271	135	108	27.1	15.6
150	416	361	180	144	36.1	20.8
225	625	541	271	217	54.1	31.2
300	833	722	361	289	72.2	41.6
450	1249	1083	541	433	108	62.5
500	1388	1203	601	481	120	69.4
600	1665	1443	722	577	144	83.3
750	2082	1804	902	722	180	104
1000	2776	2406	1203	962	241	139
1500	4164	3608	1804	1443	361	208
2000	5551	4811	2406	1925	481	278

$$\text{kVA (1 phase)} = \frac{\text{volts} \times \text{amps}}{1000}$$

$$\text{kVA (3 phases)} = \frac{1,732 \times \text{volts} \times \text{amps}}{1000}$$

$$\text{Amps} = \frac{\text{kVA (1 phase)} \times 1000}{\text{volts}}$$

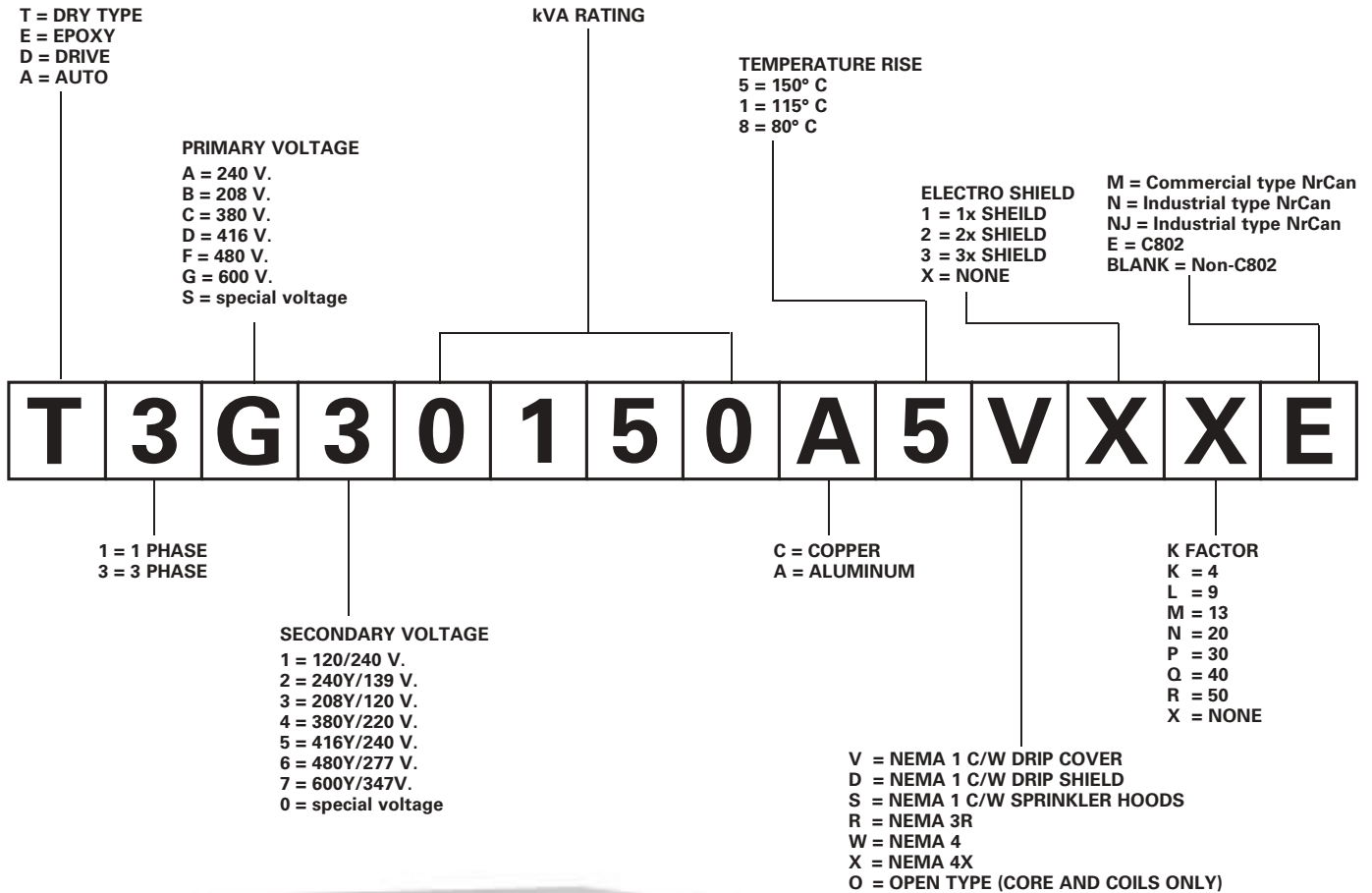
$$\text{Amps} = \frac{\text{kVA (3 phase)} \times 1000}{1,732 \times \text{volts}}$$

# Dry Type Transformers

Catalogue Coding System

Selection

## CATALOGUE CODE



7  
 DRY TYPE  
 TRANSFORMERS

# NRCAN Rated General Purpose Transformers

## Commercial Type Aluminum Winding

Selection

### Features:

- Available transformer sizes are:
  - Single phase: 15 - 250 kVA
  - Three phase: 15 - 450 kVA
- All winding conductors are in aluminum
- Standard impedance at 60 Hz
- Insulation class 220
- Lugs up to 225 kVA
- Wall mounting brackets up to 75 kVA for three phase
- Standard audible sound level (Meets NEMA ST-20 standards)
- CSA certified (LR3902) and UL listed (E112313)
- 150°C temperature rise
- Enclosure Type: Heavy duty ventilated Type 3R standard
- Enclosure Finish: ANSI 61 Grey, UL50
- Impedance: Typically 3% to 6.5%

### 150°C Rise - Primary 600 V or 480 V

Catalogue Number	kVA	Mounting <sup>①</sup>	Taps <sup>②</sup>	Figure <sup>③</sup>	Dimensions						Weight		Wiring Diagram
					Height		Width		Depth		lbs	kg	
					in.	mm	in.	mm	in.	mm			

### Single Phase, Secondary 120 / 240 V

T1*10015A5RXXM	15	W/F	4 X 2.5	2	24	600	22	561	18	457	160	73	WD1
T1*10025A5RXXM	25	W/F	4 X 2.5	3	26	650	25	632	19	483	225	102	WD1
T1*10037A5RXXM	37.5	F	4 X 2.5	4	31	790	26	668	23	584	310	141	WD1
T1*10050A5RXXM	50	F	4 X 2.5	4	31	790	26	668	23	584	370	168	WD1
T1*10075A5RXXM	75	F	4 X 2.5	5	39	993	29	737	27	686	450	205	WD1
T1*10100A5RXXM	100	F	4 X 2.5	5	39	993	29	737	27	686	560	255	WD1
T1*10150A5RXXM	150	F	4 X 2.5	6	48	1219	38	960	30	762	820	373	WD2
T1*10200A5RXXM	200	F	4 X 2.5	6	48	1219	38	960	30	762	1000	455	WD2
T1*10250A5RXXM	250	F	4 X 2.5	7	56	1425	42	1062	36	914	1300	591	WD2

### Three Phase, Secondary 208 Y / 120 V

T3*30015A5RXXM	15	W/F	4 X 2.5	1	18	447	20	511	18	457	165	75	WD3
T3*30030A5RXXM	30	W/F	4 X 2.5	2	24	600	22	561	18	457	285	130	WD3
T3*30045A5RXXM	45	W/F	4 X 2.5	3	26	650	25	635	19	483	345	157	WD3
T3*30075A5RXXM	75	F	4 X 2.5	4	31	993	26	668	23	584	540	245	WD3
T3*30112A5RXXM	112.5	F	4 X 2.5	5	39	993	29	737	27	686	750	341	WD3
T3*30150A5RXXM	150	F	4 X 2.5	5	39	993	29	737	27	686	885	403	WD3
T3*30225A5RXXM	225	F	4 X 2.5	6	49	1229	38	960	30	762	1500	682	WD3
T3*30300A5RXXM	300	F	4 X 2.5	6	49	1229	38	960	30	762	1750	795	WD3
T3G30450A5RXXM	450	F	4 X 2.5	7	56	1422	42	1067	36	914	2400	1091	WD4



\* Primary Voltage – F = 480V, G = 600V. See page 7-3 for Catalogue Code Detail.

① W = Wall mount F = Floor mount

② Taps: Single phase: 15-250 kVA - 2 x FCAN, 2 x FCBN  
Three phase: 15-450 kVA - 2 x FCAN, 2 x FCBN

③ Please refer to enclosure figures on page 7-23

All weights and dimensions are approximate and subject to change without notice.



# NRCAN Rated General Purpose Transformers

## Commercial Type Copper Winding

Selection

### Features:

- Available transformer sizes are:
  - Single phase: 15 - 250 kVA
  - Three phase: 15 - 450 kVA
- All winding conductors are aluminum
- Standard impedance at 60 Hz
- Insulation class 220
- Lugs up to 225 kVA
- Wall mounting brackets up to 75 kVA for three phase
- Standard audible sound level (Meets NEMA ST-20 standards)
- CSA certified (LR3902) and UL listed (E112313)
- 150°C temperature rise
- Enclosure Type: Heavy duty ventilated Type 3R standard
- Enclosure Finish: ANSI 61 Grey, UL50
- Impedance: Typically 3% to 6.5%

### 150°C Rise - Primary 600 V or 480 V

Catalogue Number	kVA	Mounting <sup>①</sup>	Taps <sup>②</sup>	Figure <sup>③</sup>	Dimensions						Weight		Wiring Diagram
					Height		Width		Depth		lbs	kg	
					in.	mm	in.	mm	in.	mm			

#### Single Phase, Secondary 120 / 240 V

T1*10015C5RXXM	15	W/F	4 X 2.5	2	24	600	22	561	18	457	165	75	WD1
T1*10025C5RXXM	25	W/F	4 X 2.5	3	26	650	25	632	19	483	240	109	WD1
T1*10037C5RXXM	37.5	W/F	4 X 2.5	4	31	790	26	668	23	584	340	155	WD1
T1*10050C5RXXM	50	F	4 X 2.5	4	31	790	26	668	23	584	390	177	WD1
T1*10075C5RXXM	75	F	4 X 2.5	5	39	993	29	737	27	686	540	245	WD1
T1*10100C5RXXM	100	F	4 X 2.5	5	39	993	29	737	27	686	650	295	WD1
T1*10150C5RXXM	150	F	4 X 2.5	6	48	1219	38	960	30	762	960	436	WD2
T1*10200C5RXXM	200	F	4 X 2.5	6	48	1219	38	960	30	762	1080	491	WD2
T1*10250C5RXXM	250	F	4 X 2.5	7	56	1425	42	1062	36	914	1440	655	WD2

#### Three Phase, Secondary 208 Y / 120 V

T3*30015C5RXXM	15	W/F	4 X 4.5	1	18	447	20	511	18	457	185	84	WD3
T3*30030C5RXXM	30	W/F	4 X 2.5	2	24	600	22	561	18	457	300	136	WD3
T3*30045C5RXXM	45	W/F	4 X 2.5	3	26	650	25	635	19	483	390	177	WD3
T3*30075C5RXXM	75	W/F	4 X 2.5	4	31	993	26	668	23	584	635	289	WD3
T3*30112C5RXXM	112.5	F	4 X 2.5	5	39	993	29	737	27	686	815	370	WD3
T3*30150C5RXXM	150	F	4 X 2.5	5	39	993	29	737	27	686	980	445	WD3
T3*30225C5RXXM	225	F	4 X 2.5	6	48	1229	38	960	30	762	1600	727	WD3
T3*30300C5RXXM	300	F	4 X 2.5	6	48	1229	38	960	30	762	1850	841	WD3
T3*30450C5RXXM	450	F	4 X 2.5	7	56	1422	42	1067	36	914	3000	1364	WD4



\* Primary Voltage – F = 480V, G = 600V. See page 7-3 for Catalogue Code Detail.

① W = Wall mount      F = Floor mount

② Taps: Single phase: 15-250 kVA - 2 x FCAN, 2 x FCBN  
Three phase: 15-450 kVA - 2 x FCAN, 2 x FCBN

③ Please refer to enclosure figures on page 7-21 and 7-22

All weights and dimensions are approximate and subject to change without notice.

# NRCAN Rated General Purpose Transformers

## Industrial Type Aluminum Winding

Selection

### Features:

- 15 - 250 kVA single phase  
15 - 450 kVA three phase
- Aluminum winding -  
(standard 3 coil delta-wye  
three phase)
- High quality grain-oriented steel laminations
- Insulation class 220
- Compact and easy-to-install  
enclosure
- Quiet operation and adequate  
ventilation
- Epoxy Vacuum Impregnated (EVI)
- Manufactured to ISO standards upon request

### Options and Accessories:

- Electrostatic shield
- Special paint (other than ASA 61 grey)
- 115°C and 80°C temperature rise
- Operating frequencies other than 60 Hertz
- Special voltage (for domestic or  
export applications)
- Low loss and low noise special designs
- Anti-vibration pads
- Temperature probes
- Busbar to your specifications



### 150°C Rise - Primary 600 V or 480 V

Catalogue Number	kVA	Mounting <sup>①</sup>	Taps <sup>②</sup>	Dimensions						Weight		Noise level (dB)
				Height		Width		Depth		lbs	kg	
				in.	mm	in.	mm	in.	mm			

#### Single Phase, Secondary 120 / 240 V

T1*10015A5RXXN	15	W/F	4 X 2.5	30	762	18	457	14	349	169	77	50
T1*10025A5RXXN	25	W/F	4 X 2.5	33	838	21	533	16	400	227	103	50
T1*10037A5RXXN	37.5	W/F	4 X 2.5	33	838	21	533	16	400	277	126	50
T1*10050A5RXXN	50	W/F	4 X 2.5	33	838	21	533	16	400	350	159	50
T1*10075A5RXXN	75	F	4 X 2.5	47	1194	24	616	23	583	486	221	55
T1*10100A5RXXN	100	F	4 X 2.5	47	1194	24	616	23	583	572	260	55
T1*10150A5RXXN	150	F	4 X 2.5	51	1295	28	718	27	685	814	370	60
T1*10200A5RXXN	200	F	4 X 2.5	58	1473	32	820	30	761	1109	504	65
T1*10250A5RXXN	250	F	4 X 2.5	58	1473	32	820	30	761	1265	575	65

#### Three Phase, Secondary 208 Y / 120 V

T3*30015A5RXXN	15	W/F	4 X 2.5	26	660	18	464	15	375	207	94	45
T3*30030A5RXXN	30	W/F	4 X 2.5	31	775	23	578	18	451	335	152	45
T3*30045A5RXXN	45	W/F	4 X 2.5	31	775	23	578	18	451	381	173	45
T3*30075A5RXXN	75	F	4 X 2.5	31	775	23	578	18	451	396	180	50
T3*30112A5RXXN	112.5	F	4 X 2.5	37	940	28	705	22	552	596	270	50
T3*30150A5RXXN	150	F	4 X 2.5	37	940	28	705	22	552	734	333	50
T3*30225A5RXXN	225	F	4 X 2.5	46	1168	31	787	24	616	1092	495	55
T3*30300A5RXXN	300	F	4 X 2.5	53	1346	37	927	29	724	1635	742	55
T3*30450A5RXXN	450	F	4 X 2.5	53	1346	37	927	29	724	2176	987	55
T3*30500A5RXXN	500											
T3*30600A5RXXN	600											
T3*30750A5RXXN	750											
T3*31000A5RXXN	1000											

CONSULT CUSTOMER SERVICE

\* Primary Voltage - F = 480V, G = 600V. See page 7-3 for Catalogue Code Detail.

① W = Wall mount F = Floor mount

② Taps: Single phase: 15-250 kVA - 2 x FCAN, 2 x FCBN  
Three phase: 15-1000 kVA - 2 x FCAN, 2 x FCBN

All weights and dimensions are approximate and subject to change without notice.

# NRCAN Rated General Purpose Transformers

## Industrial Type Aluminium Winding

Selection

### Features:

- Large connection compartment for ease of wiring and installation
- Many sizes in stock and available for immediate shipment
- Quiet operation for installation flexibility
- Seismic certification for all units
- Space-saving design for easy handling and installation
- Termination lugs provided with transformer through 75 kVA
- Wall brackets available for units up to 75kVA
- Vibration isolation pads provide quiet operation
- Staggered front loop taps for easy connection
- CSA certified (163067) and UL listed (E78376)



### 150°C Rise - Primary 600V or 480V<sup>①</sup>

Catalogue Number	kVA	Mounting	Enclosure Figure <sup>④</sup>	Dimensions <sup>③</sup>										Weight lbs.
				A		B		C		D		E		
				inch	mm	inch	mm	inch	mm	inch	mm	inch	mm	

#### Three Phase, 480V Primary, 208 Y / 120 Secondary<sup>②</sup>

T3F30015A5RXXNJ	15	W/F	8	22	559	19	483	21	533	16	401	12	305	235
T3F30030A5RXXNJ	30	W/F	8	25	635	22	559	22	559	18	460	13	330	365
T3F30045A5RXXNJ	45	W/F	8	28	711	25	635	23.5	597	20	495	14.5	368	455
T3F30075A5RXXNJ	75	W/F	8	32	813	27	686	26	660	24	597	16	406	735
T3F30112A5RXXNJ	112.5	F	8	38	965	29	737	29	737	26	648	18	457	885
T3F30150A5RXXNJ	150	F	8	42	1067	33	838	32.5	826	30	762	21	533	1140
T3F30225A5RXXNJ	225	F	8	46	1168	35	889	37	940	31	782	25	635	1530
T3F30300A5RXXNJ	300	F	8	52	1321	35	889	37	940	31	782	25	635	1935

#### Three Phase, 600V Primary, 208 Y / 120 Secondary<sup>③</sup>

T3G30015A5RXXNJ	15	W/F	8	22	559	19	483	21	533	15.8	401	12	305	215
T3G30030A5RXXNJ	30	W/F	8	25	635	22	559	22	559	18.1	460	13	330	330
T3G30045A5RXXNJ	45	W/F	8	28	711	25	635	23.5	597	19.5	495	14.5	368	455
T3G30075A5RXXNJ	75	W/F	8	32	813	27	686	26	660	23.5	597	16	406	735
T3G30112A5RXXNJ	112.5	F	8	38	965	29	737	29	737	25.5	648	18	457	885
T3G30150A5RXXNJ	150	F	8	42	1067	33	838	32.5	826	30	762	21	533	1140
T3G30225A5RXXNJ	225	F	8	46	1168	35	889	37	940	30.8	782	25	635	1530
T3G30300A5RXXNJ	300	F	8	52	1321	35	889	37	940	30.8	782	25	635	1935

① Taps: 480v primary: FCAN 2@2.5%, FCBN 4@2.5%  
600v primary: FCAN 2@2.5%, FCBN 4@2.5%  
② See wiring diagram WD6 (page 7-20)

③ See wiring diagram WD5 (page 7-20)  
④ Please refer to enclosure figure on page 7-23 (Fig. 8)

# NRCAN Rated General Purpose Transformers

## Industrial Type Copper Winding

Selection

### Features:

- 15-250 kVA single phase  
15-300 kVA three phase
- Copper winding  
(standard 3 coil delta-wye three phase)
- High quality grain-oriented steel laminations
- Insulation class 220
- Compact and easy-to-install enclosure
- Quiet operation and adequate ventilation
- Manufactured to ISO standard upon request
- Epoxy Vacuum Impregnated (EVI)

### Options and Accessories:

- Electrostatic shield
- Special paint (other than ASA 61 grey)
- 115°C and 80°C temperature rise
- Operating frequencies other than 60 Hertz
- Special voltage (for domestic or export applications)
- Low loss and low noise special designs
- Anti-vibration pads
- Temperature probes
- Busbar to your specifications



### 150°C Rise - Primary 600 V or 480 V

Catalogue Number	kVA	Mounting <sup>①</sup>	Taps <sup>②</sup>	Dimensions						Weight		Noise level (dB)
				Height		Width		Depth		lbs	kg	
				in.	mm	in.	mm	in.	mm			

#### Single Phase, Secondary 120 / 240 V

T1*10015C5RXXN	15	W/F	4 X 2.5	30	762	18	457	14	349	185	84	50
T1*10025C5RXXN	25	W/F	4 X 2.5	30	762	18	457	14	349	227	103	50
T1*10037C5RXXN	37.5	F	4 X 2.5	33	838	21	533	16	400	321	146	50
T1*10050C5RXXN	50	F	4 X 2.5	33	838	21	533	16	400	352	160	50
T1*10075C5RXXN	75	F	4 X 2.5	33	838	21	533	16	400	453	206	55
T1*10100C5RXXN	100	F	4 X 2.5	47	1194	25	616	23	583	631	287	55
T1*10150C5RXXN	150	F	4 X 2.5	51	1295	28	718	27	685	805	366	60
T1*10200C5RXXN	200	F	4 X 2.5	51	1295	28	718	27	685	1043	474	65
T1*10250C5RXXN	250	F	4 X 2.5	58	1473	32	820	30	761	1342	610	65

#### Three Phase, Secondary 208 Y / 120 V

T3*30015C5RXXN	15	W/F	4 X 2.5	26	660	18	464	15	375	214	97	45
T3*30030C5RXXN	30	W/F	4 X 2.5	31	775	23	578	18	451	341	155	45
T3*30045C5RXXN	45	W/F	4 X 2.5	31	775	23	578	18	451	407	185	45
T3*30050C5RXXN	50	W/F	4 X 2.5	31	775	23	578	18	451	441	200	45
T3*30075C5RXXN	75	W/F	4 X 2.5	37	940	28	705	22	552	674	306	50
T3*30112C5RXXN	112.5	F	4 X 2.5	37	940	28	705	22	552	978	398	50
T3*30150C5RXXN	150	F	4 X 2.5	46	1168	31	787	24	616	1069	485	50
T3*30225C5RXXN	225	F	4 X 2.5	53	1346	37	927	29	724	1533	695	55
T3*30300C5RXXN	300	F	4 X 2.5	53	1346	37	927	29	724	1843	836	55

\* Primary Voltage – F = 480V, G = 600V. See page 7-3 for Catalogue Code Detail.

① W = Wall mount      F = Floor mount  
 ② Taps: Single phase: 15-250 kVA - 2 x FCAN, 2 x FCBN  
 Three phase: 15-300 kVA - 2 x FCAN, 2 x FCBN

All weights and dimensions are approximate and subject to change without notice.

# NRCAN Rated General Purpose Transformers

## Industrial Type Copper Winding

Selection

### Features:

- Large connection compartment for ease of wiring and installation
- Many sizes in stock and available for immediate shipment
- Quiet operation for installation flexibility
- Seismic certification for all units
- Space-saving design for easy handling and installation
- Termination lugs provided with transformer through 75 kVA
- Wall brackets available for units up to 75 kVA
- Vibration isolation pads provide quiet operation
- Staggered front loop taps for easy connection

### 150°C Rise - Primary 600V or 480V<sup>①</sup>

Catalogue Number	kVA	Mounting	Enclosure Figure <sup>④</sup>	Dimensions <sup>③</sup>										Weight lbs.
				A		B		C		D		E		
				inch	mm	inch	mm	inch	mm	inch	mm	inch	mm	
<b>Three Phase, 480V Primary, 208 Y / 120 Secondary<sup>②</sup></b>														
T3F30015C5RXXNJ	15	W/F	8	22	559	19	483	21	533	16	401	12	305	235
T3F30030C5RXXNJ	30	W/F	8	25	635	22	559	22	559	18	460	13	330	365
T3F30045C5RXXNJ	45	W/F	8	28	711	25	635	23.5	597	20	495	14.5	368	455
T3F30075C5RXXNJ	75	W/F	8	32	813	27	686	26	660	23.5	597	16	406	735
T3F30112C5RXXNJ	112.5	F	8	38	965	29	737	29	737	26	648	18	457	885
T3F30150C5RXXNJ	150	F	8	42	1067	33	838	32.5	826	30	762	21	533	1140
T3F30225C5RXXNJ	225	F	8	46	1168	35	889	37	940	31	782	25	635	1530
T3F30300C5RXXNJ	300	F	8	52	1321	35	889	37	940	31	782	25	635	1935
<b>Three Phase, 600V Primary, 208 Y / 120 Secondary<sup>③</sup></b>														
T3G30015C5RXXNJ	15	W/F	8	22	559	19	482.6	21	533	16	401	12	305	235
T3G30030C5RXXNJ	30	W/F	8	25	635	22	558.8	22	559	18	460	13	330	365
T3G30045C5RXXNJ	45	W/F	8	28	711	25	635	23.5	597	20	495	14.5	368	455
T3G30075C5RXXNJ	75	F	8	32	813	27	685.8	26	660	23.5	597	16	406	735
T3G30112C5RXXNJ	112.5	F	8	38	965	29	736.6	29	737	26	648	18	457	885
T3G30150C5RXXNJ	150	F	8	42	1067	33	838.2	32.5	826	30	762	21	533	1140
T3G30225C5RXXNJ	225	F	8	46	1168	35	889	37	940	31	782	25	635	1530
T3G30300C5RXXNJ	300	F	8	52	1321	35	889	37	940	31	782	25	635	1935

① Taps: 480v primary: FCAN 2@2.5%, FCBN 4@2.5%  
600v primary: FCAN 2@2.5%, FCBN 4@2.5%  
② See wiring diagram WD6 (page 7-20)

③ See wiring diagram WD5 (page 7-20)  
④ Please refer to enclosure figure on page 7-23 (Fig. 8)

# NRCAN Rated General Purpose Transformers

## K Rated - Industrial Type Aluminium Winding

Selection

### Features:

- Large connection compartment for ease of wiring and installation
- Many sizes in stock and available for immediate shipment
- Quiet operation for installation flexibility
- Seismic certification for all units
- Space-saving design for easy handling and installation
- Termination lugs provided with transformer through 75 kVA
- Wall brackets available for units up to 75 kVA
- Vibration isolation pads provide quiet operation
- Staggered front loop taps for easy connection
- CSA certified (163067) and UL listed (E78376)



### 150°C Rise - Primary 600V<sup>①</sup>

Catalogue Number	kVA	Mounting	Enclosure Figure	Dimensions <sup>④</sup>										Weight lbs.
				A		B		C		D		E		
				inch	mm	inch	mm	inch	mm	inch	mm	inch	mm	
<b>Three Phase, 208 Y / 120 Secondary, K-4 Rated<sup>②</sup></b>														
T3G30015A5R1KNJ	15	W/F	8	22	559	19	483	21	533	16	401	12	305	210
T3G30030A5R1KNJ	30	W/F	8	25	635	22	559	22	559	18	460	13	330	310
T3G30045A5R1KNJ	45	W/F	8	28	711	25	635	23.5	597	20	495	14.5	368	400
T3G30075A5R1KNJ	75	F	8	32	813	27	686	26	660	24	597	16	406	585
T3G30112A5R1KNJ	112.5	F	8	38	965	29	737	29	737	26	648	18	457	775
T3G30150A5R1KNJ	150	F	8	42	1067	33	838	32.5	826	30	762	21	533	1000
T3G30225A5R1KNJ	225	F	8	52	1321	35	889	37	940	31	782	25	635	1315
T3G30300A5R1KNJ	300	F	8	60	1524	48	1219	43.5	1105	42	1067	27	686	1660

### Three Phase, 208 Y / 120 Secondary, K-13 Rated<sup>③</sup>

T3G30015A5R1MNJ	15	W/F	8	25	635	22	559	22	559	18	460	13	330	310
T3G30030A5R1MNJ	30	W/F	8	28	711	25	635	23.5	597	20	495	14.5	368	400
T3G30045A5R1MNJ	45	W/F	8	32	813	27	686	26	660	24	597	16	406	585
T3G30075A5R1MNJ	75	F	8	38	965	29	737	29	737	26	648	18	457	775
T3G30112A5R1MNJ	112.5	F	8	42	1067	33	838	32.5	826	30	762	21	533	1000
T3G30150A5R1MNJ	150	F	8	46	1168	35	889	37	940	31	782	25	635	1530
T3G30225A5R1MNJ	225	F	8	52	1321	35	889	37	940	31	782	25	635	1660
T3G30300A5R1MNJ	300	F	8	60	1524	48	1219	43.5	1105	42	1067	27	686	2460

① Taps: 480v primary: FCAN 2@2.5%, FCBN 2@2.5%  
600v primary: FCAN 2@2.5%, FCBN 2@2.5%

③ See wiring diagram WD5

④ Please refer to enclosure figure on page 7-23 (Fig. 8)

② See wiring diagram WD5

# NRCAN Rated General Purpose Transformers

## K Rated - Industrial Type Copper Winding

Selection

### Features:

- Large connection compartment for ease of wiring and installation
- Many sizes in stock and available for immediate shipment
- Quiet operation for installation flexibility
- Seismic certification for all units
- Space-saving design for easy handling and installation
- Termination lugs provided with transformer through 75 kVA
- Wall brackets available for units up to 75 kVA
- Vibration isolation pads provide quiet operation
- Staggered front loop taps for easy connection
- CSA certified (163067) and UL listed (E78376)

### 150°C Rise - Primary 600V<sup>①</sup>

Catalogue Number	kVA	Mounting	Enclosure Figure <sup>④</sup>	Dimensions <sup>④</sup>										Weight lbs.
				A		B		C		D		E		
				inch	mm	inch	mm	inch	mm	inch	mm	inch	mm	
<b>Three Phase, 208 Y / 120 Secondary, K-4 Rated<sup>②</sup></b>														
T3G30015C5R1KNJ	15	W/F	8	22	559	19	483	21	533	15.8	401	12	305	235
T3G30030C5R1KNJ	30	W/F	8	25	635	22	559	22	559	18.1	460	13	330	335
T3G30045C5R1KNJ	45	W/F	8	28	711	25	635	23.5	597	19.5	495	14.5	368	400
T3G30075C5R1KNJ	75	F	8	32	813	27	686	26	660	23.5	597	16	406	660
T3G30112C5R1KNJ	112.5	F	8	38	965	29	737	29	737	25.5	648	18	457	885
T3G30150C5R1KNJ	150	F	8	42	1067	33	838	32.5	826	30	762	21	533	1140
T3G30225C5R1KNJ	225	F	8	52	1321	35	889	37	940	30.8	782	25	635	1530
T3G30300C5R1KNJ	300	F	8	60	1524	48	1219	43.5	1105	42	1067	27	686	1935
<b>Three Phase, 208 Y / 120 Secondary, K-13 Rated<sup>③</sup></b>														
T3G30015C5R1MNJ	15	W/F	8	25	635	22	559	22	559	18	460	13	330	310
T3G30030C5R1MNJ	30	W/F	8	28	711	25	635	23.5	597	20	495	14.5	368	400
T3G30045C5R1MNJ	45	W/F	8	32	813	27	686	26	660	24	597	16	406	585
T3G30075C5R1MNJ	75	F	8	38	965	29	737	29	737	26	648	18	457	775
T3G30112C5R1MNJ	112.5	F	8	42	1067	33	838	32.5	826	30	762	21	533	1000
T3G30150C5R1MNJ	150	F	8	46	1168	35	889	37	940	31	782	25	635	1530
T3G30225C5R1MNJ	225	F	8	52	1321	35	889	37	940	31	782	25	635	1660
T3G30300C5R1MNJ	300	F	8	60	1524	48	1219	43.5	1105	42	1067	27	686	2460

① Taps: 600v primary: FCAN 2@2.5%, FCBN 2@2.5%  
 ② See wiring diagram WD5 (page 7-20)  
 ③ See wiring diagram WD5 (page 7-20)

④ Please refer to enclosure figure on page 7-23 (Fig. 8)

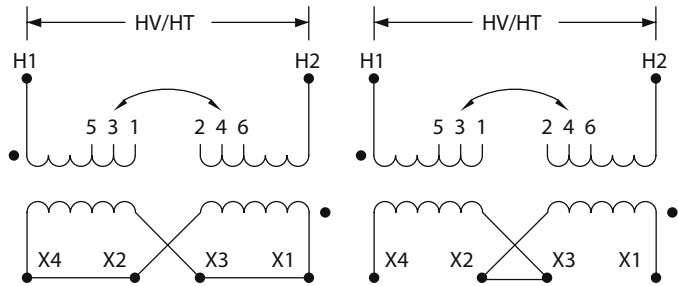


# Dry Type Transformers

## Wiring Diagrams

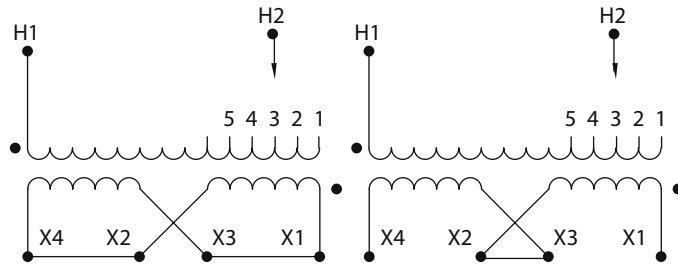
Selection

WD1 wiring diagram



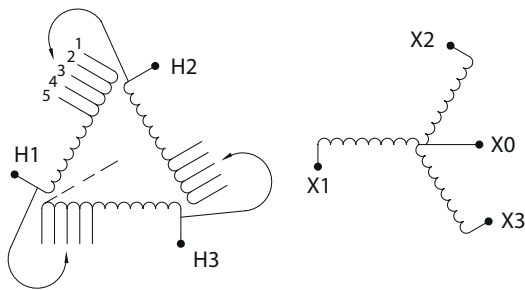
% Voltage	Primary Volts	Connect lines to	Inter-connect
105.0%	504 630	H1, H2	1-2
102.5%	492 615	H1, H2	2-3
100.0%	480 600	H1, H2	3-4
97.5%	468 585	H1, H2	4-5
95.0%	456 570	H1, H2	5-6
	Secondary Volts	Connect lines to	Inter-connect
	240	X1, X4	X2-X3
	120	X1 & X3, X2 & X4	X2-X4, X1-X3
	120/240	X1, X2, X4	X2-X3

WD2 wiring diagram



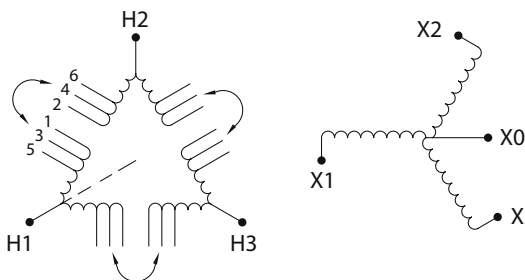
% Voltage	Primary Volts	Connect lines to	Inter-connect
105.0%	504 630	H1, H2	1
102.5%	492 615	H1, H2	2
100.0%	480 600	H1, H2	3
97.5%	468 585	H1, H2	4
95.0%	456 570	H1, H2	5
	Secondary Volts	Connect lines to	Inter-connect
	240	X1, X4	X2-X3
	120	X1 & X3, X2 & X4	X2-X4, X1-X3
	120/240	X1, X2, X4	X2-X3

WD3 wiring diagram



% Voltage	Primary Volts	Connect lines to	Inter-connect
105.0%	504 630	H1, H2, H3	1
102.5%	492 615	H1, H2, H3	2
100.0%	480 600	H1, H2, H3	3
97.5%	468 585	H1, H2, H3	4
95.0%	456 570	H1, H2, H3	5
	Secondary Volts	Connect lines to	Inter-connect
	208	X1, X2, X3	
	120	X1,X0 X2,X0 X3, X0	

WD4 wiring diagram



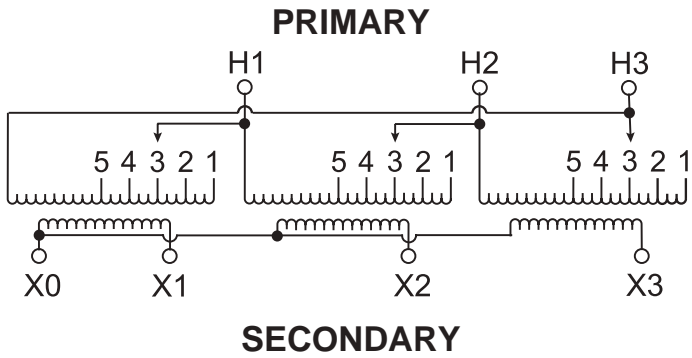
% Voltage	Primary Volts	Connect lines to	Inter-connect
105.0%	630	H1, H2, H3	1-2
102.5%	615	H1, H2, H3	2-3
100.0%	600	H1, H2, H3	3-4
97.5%	585	H1, H2, H3	4-5
95.0%	570	H1, H2, H3	5-6
	Secondary Volts	Connect lines to	Inter-connect
	208	X1, X2, X3	
	120	X1,X0 X2,X0 X3, X0	

# Dry Type Transformers

## Wiring Diagrams

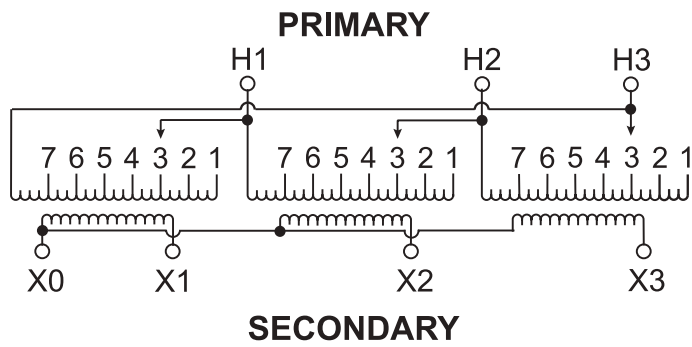
Selection

WD5 wiring diagram



Primary Volts	Connect lines to
630	H1,H2,H3
615	H1,H2,H4
600	H1,H2,H5
585	H1,H2,H6
570	H1,H2,H7
Secondary Volts	Connect lines to
208	X1,X2,X3
120	X0 - X1 or X2 or X3

WD6 wiring diagram

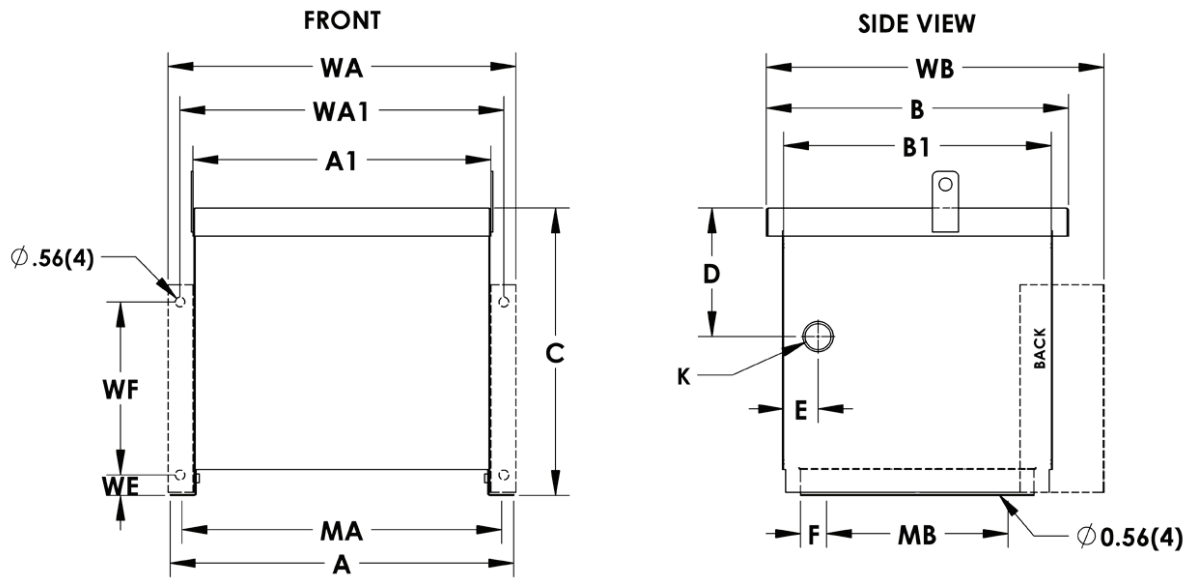


Primary Volts	Connect lines to
504	H1,H2,H3
492	H1,H2,H4
480	H1,H2,H5
468	H1,H2,H6
456	H1,H2,H7
444	H1,H2,H8
432	H1,H2,H9
Secondary Volts	Connect lines to
208	X1,X2,X3
120	X0 - X1 or X2 or X3

# Dry Type Transformers

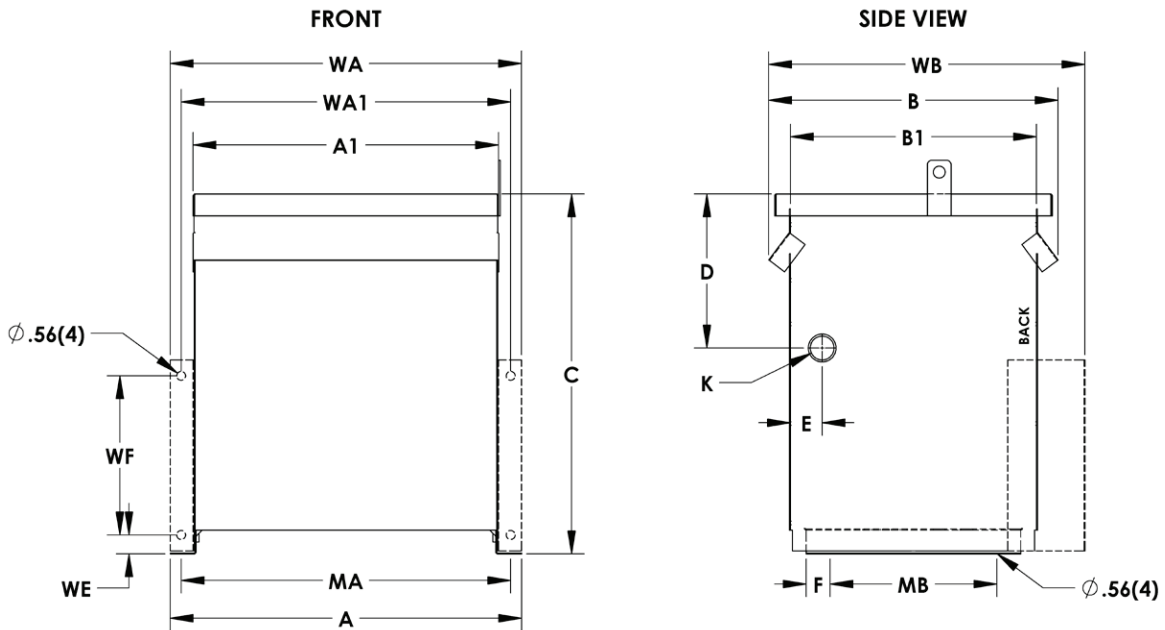
## Enclosure Figures

Selection



Enclosure	Dimensions in Inches															
	A	A1	B	B1	C	D	E	F	K	MA	MB	WA*	WA1*	WB*	WE*	WF*
FIG1	19.9	17.3	17.5	15.5	17.6	7.4	2.0	1.5	1.75 K.O.	18.5	10.5	20.1	18.7	19.5	2.2	10.0

\* Dimensions of enclosure when wall-mounting bracket installed (optional accessory component).



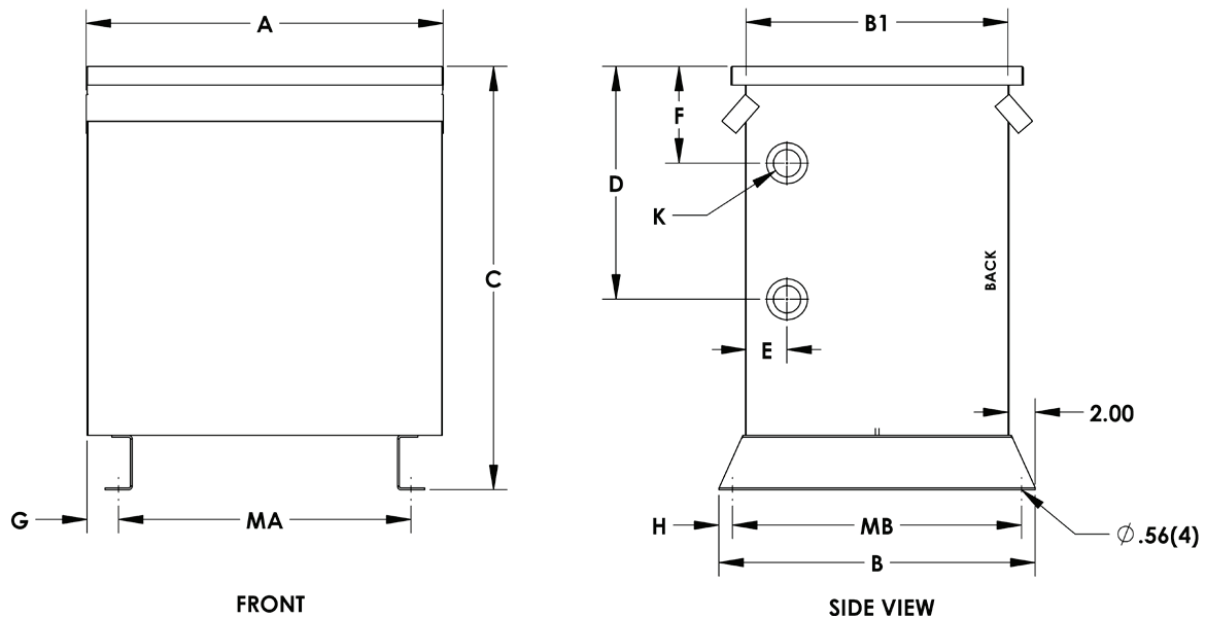
Enclosure	Dimensions in Inches															
	A	A1	B	B1	C	D	E	F	K	MA	MB	WA*	WA1*	WB*	WE*	WF*
FIG2	22.1	19.2	18.2	15.5	23.6	9.7	2.0	1.5	1.75 K.O.	20.8	10.5	22.1	20.8	19.9	2.2	10.0
FIG3	24.9	22.0	19.4	16.5	25.6	12.0	2.0	2.0	1.75 K.O.	23.5	10.5	24.9	23.5	21.0	2.2	10.0

\* Dimensions of enclosure when wall-mounting bracket installed (optional accessory component).

# Dry Type Transformers

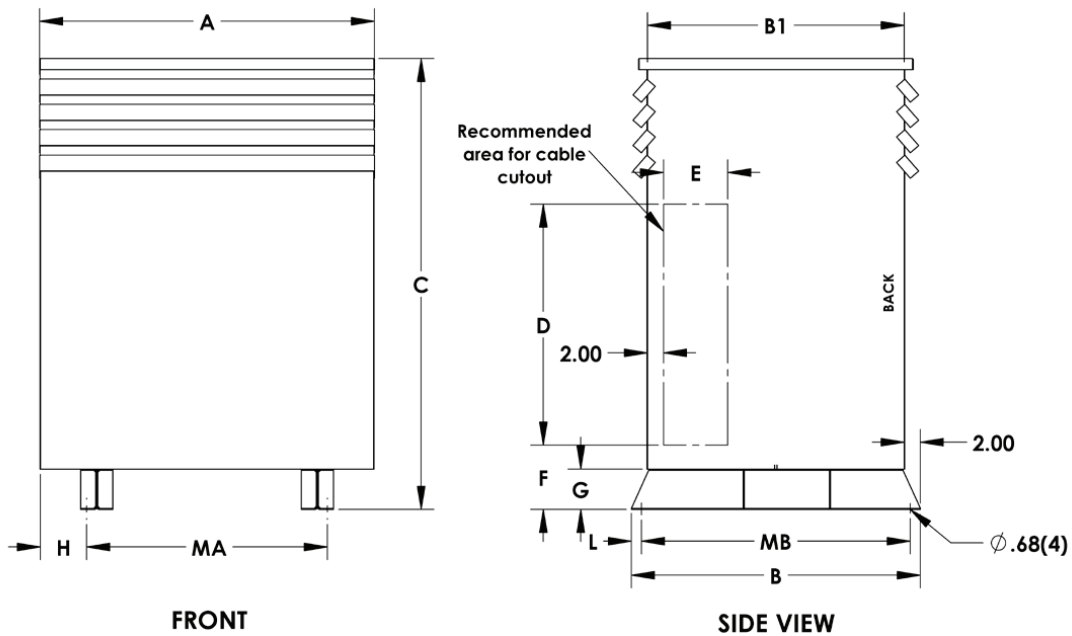
## Enclosure Figures

Selection



Enclosure	Dimensions in Inches											
	A	B	B1	C	D	E	F	G	H	K	MA	MB
Fig 4	26.3	23.3	19.3	31.1	17.1	3.0	7.1	2.3	1.0	2.0 x 3.0 K.O.	21.5	21.3
Fig 5	29.0	26.5	22.5	39.1	24.1	3.0	14.1	2.7	1.0	2.0 x 3.0 K.O.	23.5	24.5
Fig 6	37.8	30.0	26.0	48.4	33.4	3.0	23.4	6.8	1.0	2.0 x 3.0 K.O.	24.0	28.0

\* Dimensions of enclosure when wall-mounting bracket installed (optional accessory component).



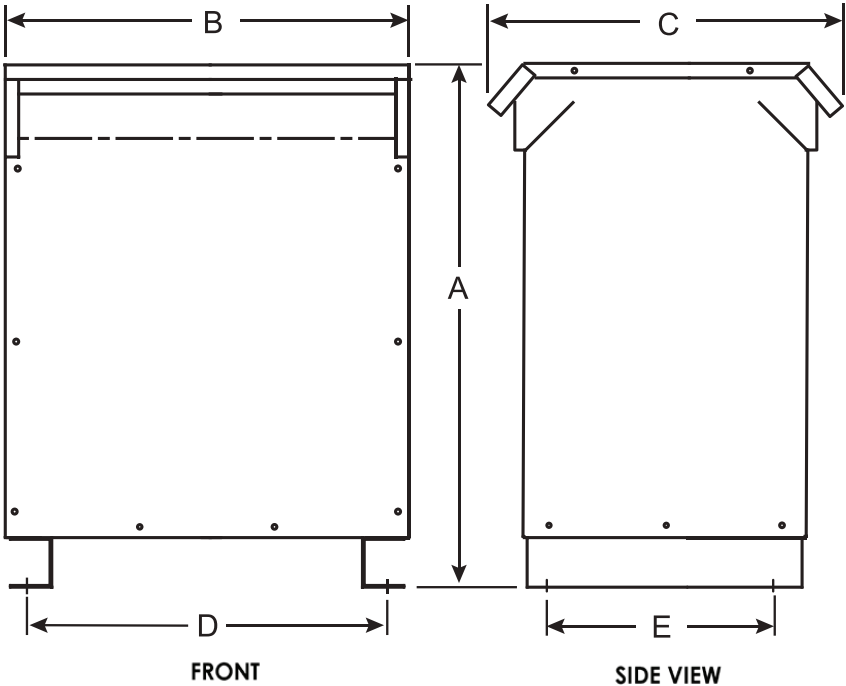
Enclosure	Dimensions in Inches											
	A	B	B1	C	D	E	F	G	H	L	MA	MB
Fig 7	41.8	36.0	32.0	56.1	30.0	8.0	8.0	5.0	5.9	0.8	30.0	34.5

\* Dimensions of enclosure when wall-mounting bracket installed (optional accessory component).

# Dry Type Transformers

## Enclosure Figures

Selection



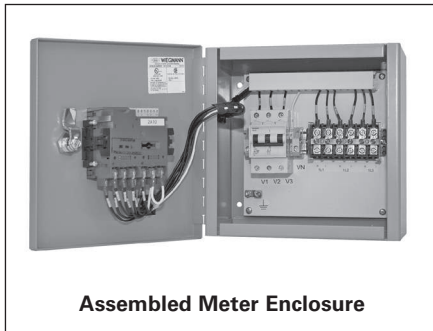
Enclosure	
Fig 8	Enclosure figure 8 applies to all item numbers ending with NJ



WinPM.Net



Powermanager Software



Assembled Meter Enclosure



Power Meters

## Contents

### Power Distributions Solutions

#### Introduction

Power Monitoring Systems Overview	8-2
Intelligent Metering and Control Devices	8-3

#### Power Meters

PAC2200	8-4
PAC3120	8-5
PAC3200T	8-6
PAC3220	8-7
PAC4200	8-8
9410	8-9
9810	8-10

#### Enclosed Meters

Enclosed Meters	8-12
-----------------	------

#### Branch Circuit Monitoring /SEM3 Embedded Metering

Branch Circuit Monitoring /SEM3 Embedded Metering	8-17
---	------

#### MD Meter – BACnet MSTP/IP standalone meter

MD Meter – BACnet MSTP/IP standalone meter	8-21
--	------

Low-voltage Current Transformers	8-22
----------------------------------	------

#### Energy Management Software

Powermanager Software	8-24
-----------------------	------

WinPM.Net Software	8-25
--------------------	------

#### Application Engineering

Digitalization for Smart Infrastructure	8-26
---	------

Services	8-27
----------	------

Siemens recognizes that high performance facilities make for high performance business. Energy is the lifeline of your business, and better efficiency and sustainability can have a large positive impact on your bottom line.

Energy Management and Control Systems from Siemens are complete enterprise solutions that help you manage the energy costs and availability of your business. With our advanced meters and controls, you can be sure to use only the energy you need, when you need it.

Siemens Power Distribution Solutions contribute toward achieving LEED® certification and provides the needed energy metering data for federal/local government energy reductions programs.

### Features and Benefits of Siemens Power Distribution Solutions:

- Power Quality Reliability & Analysis
- Utilities Cost Allocation & Billing
- Utilities Usage Aggregation
- Load Preservation
- Equipment Monitoring
- Facility Monitoring & Automation
- Sequence of Event Recording
- Preventative Maintenance
- Electrical Asset Management

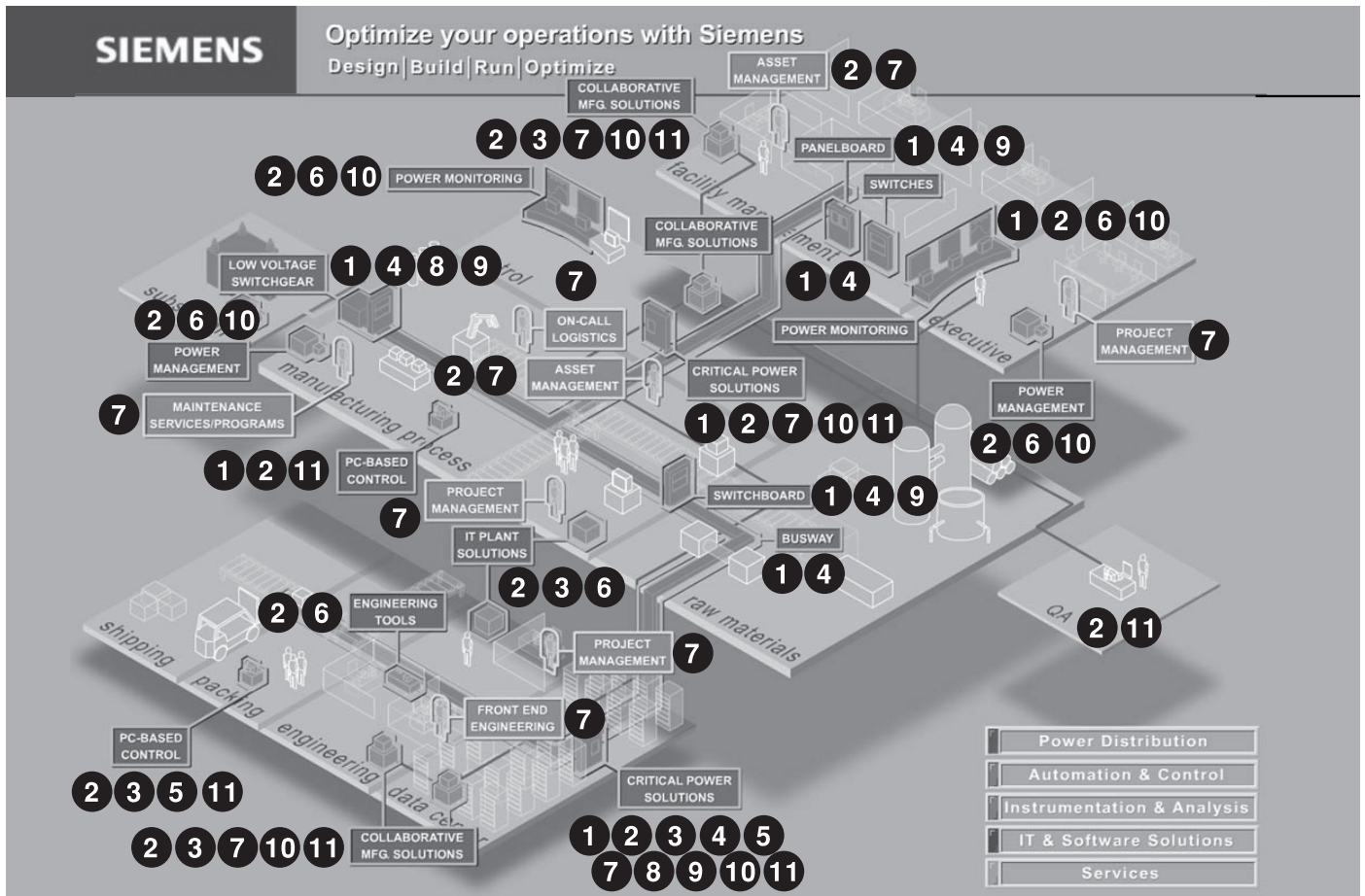
### Additional Products/Services

- Branch Circuit Monitoring
- Cost Allocation
- Application Engineering
- Services Agreements
- Network/Communication Components
- Integration with Existing
- SCADA/BAS Systems
- Incorporation of Third Party Devices

# Totally Integrated Power

## System Overview

General



### 1. Power Meters

Siemens' ACCESS power monitors combine the best of new technologies and proven practices. Monitor critical loads, power quality, and demand via the web directly from the meters.

### 2. Power Monitoring Software

WinPM.Net web-enabled software facilitates easy, enterprise-wide connection to power monitoring equipment, circuit breakers, and other devices from Siemens and third parties. Access information via the web with unlimited no-cost clients using built-in WebReach™ via your web browser.

### 3. Communications Networks

Utilize existing Ethernet or RS-485 communications networks to extract the information you need and get it where it needs to go.

### 4. Components

Current Transformers (CTs), Voltage/Potential Transformers (PTs), Power Supplies, Ethernet Switches, Protocol Converters. Siemens can provide everything required for your system.

### 5. Intelligent I/O

Our S7 I/O enables plug-n-play communications with Modbus devices and expands digital and analog input and output functionality of ACCESS Systems.

### 6. Billing and Load Allocation Software

ACCESS Energy Manager is the low-cost, simplified solution for cost allocation, billing & load/demand analysis using your web browser.

### 7. Engineering Services

PDS Application Engineers can help from design through commissioning of even the most demanding power quality and monitoring systems.

### 8. Motor Control Centres

Monitor mains and feeders for critical or power-intensive loads. Communicate with breakers (Static Trip III, SBEC), SAMMS, SIMOCODE, I/O and devices from other manufacturers. Use ACCESS power meters to web-enable new as well as existing MCCs.

### 9. Low & Medium Voltage Switchgear

Web-enable switchgear by having ACCESS monitor power as well as breaker status and upload the information to a corporate Intranet or to the Internet. Use MeterMail™ directly from meters for alarm conditions or simple reporting.

### 10. Facility Management Systems

Tie into building automation systems to provide the required power and energy information. Lots of communications options are available ranging from legacy protocols to XML directly from the power monitors.

### 11. Distributed Control Systems, Automation, and SCADA/Human Machine Interface

ACCESS power monitors and/or software can talk to all major vendors' systems.



# Intelligent Metering and Control Devices



	PAC2200	PAC3120	MD Meter	SEM3	PAC3200T	PAC3220	PAC4200	9410	9810
<b>Power, Energy and Demand</b>									
Voltage/current per phase, average	■	■	■	■	■	■	■	■	■
Voltage/current: unbalance	■	■	■	■	■	■	■	■	■
Power: real(kW), reactive(kVAR), apparent(kVA), power factor, frequency	■	■	■	■	■	■	■	■	■
Energy: bi-directional, import, export	■	■	■	■	■	■	■	■	■
Energy kWh: total, net	■	■	■	■	■	■	■	■	■
Demand: block, sliding window	■	■	■	■	■	■	■	■	■
Demand: thermal predicted	■	■	■	■	■	■	■	■	■
<b>Power Quality Analysis</b>									
Sag(Dip)/Swell disturbances monitoring	■	■	■	■	■	■	■	■	■
Voltage disturbance direction detection	■	■	■	■	■	■	■	■	■
High speed transient capture	■	■	■	■	■	■	■	■	10MHz
Harmonics (individual, even, odd, total) up to	■	THD only	■	■	THD only	THD only	63rd	63rd	63rd
Sampling rate, maximum samples/cycle	135k	135k	■	60	135k	135k	204	256	1024
Flicker, harmonics to EN50160, IEC 6100-4-7 / 4-15	■	■	■	■	■	■	■	■	■
Configurable for IEEE 519-2014, SEM/ITIC	■	■	■	■	■	■	■	■	■
<b>Data and Waveform Logs</b>									
Triggered by setpoint, schedule, or external signal	■	■	■	■	■	■	■	■	■
Sequence-of-event logs or alarm logs, variable log depth	■	■	■	■	■	■	■	■	■
Minimum/maximum logs	■	■	■	■	■	■	■	■	■
Onboard Historical logging Memory	③	③	■	8GB (6 mos.)	③	③	④	320MB	2GB
Email data and event logs	■	■	■	■	■	■	■	■	■
Waveform recording	■	■	■	■	■	■	■	■	■
Waveform in COMTRADE format with FTP	■	■	■	■	■	■	■	■	■
GPS time synchronization	NTP/SNTP	■	■	NTP	NTP/SNTP	NTP/SNTP	SNTP	NTP/SNTP	NTP/SNTP
Time-stamps, resolution in seconds	±1 sec	■	■	1 min	±1 sec	±1 sec	±0.1 sec.	±0.1 msec.	±0.1 msec.
Time synchronization - IEEE1588/IEC61588/PTP	■	■	■	■	■	■	■	■	■
<b>Communication Ports, Protocols and I/O</b>									
( ) = Optional									
USB ports	■	■	1	■	■	■	■	■	2 (not activated)
RS-485-only ports	(1)	1	1	1	■	(1)	(1)	1	2
Ethernet ports	(1)	■	(1)	1	1	2	1	2 (UTP)	2 (UTP)
PROFIBUS ports	■	■	■	■	■	(1)	(1)	■	■
PROFINET ports	■	■	■	■	■	(2)	(2)	■	■
Modbus RTU Slave on serial	(■)	■	■	■	■	(■)	(■)	■	■
Modbus RTU Master on serial ports	■	■	■	■	■	■	■	■	■
Modbus/TCP on Ethernet ports	(■)	■	■	■	■	■	■	■	■
Modbus/TCP Master over Ethernet	■	■	■	■	■	■	■	■	■
BACnet MS/TP	■	■	■	■	■	■	■	■	■
BACnet IP on Ethernet ports	■	■	■	■	■	■	■	■	■
SNMP	■	■	■	■	■	■	■	■	■
DNP 3	■	■	■	■	■	■	■	■	■
IEC 61850	■	■	■	■	■	■	■	■	■
DHCP	(■)	■	■	■	■	■	■	■ (IP v4/IP v6)	■ (IP v4/IP v6)
RSTP	■	■	■	■	■	■	■	■	■
Secure protocols (HTTPS, SFTP, SSH, Secure Modbus)	■	■	■	■	■	■	■	HTTPS	HTTPS
Ethernet Gateway: 31 other meters accessible via RS-485	■	■	■	■	■	■	(■)	■	■
Multiple masters over Ethernet	3	■	2	4	3	3	3	8	8
On-board web server - Realtime, Trending	(■)	■	■	■ (CSV output)	■	■	■	■	■
On-board web server - Waveform display	■	■	■	■	■	■	■	■	■
Analog inputs	■	■	■	■	■	(1)	(1)	(16)	(16)
Analog outputs	■	■	■	■	■	■	■	(8)	(8)
Digital status/counter inputs (standard/optional add-ons)	1	2	■	2/(44)	1	2 / (8)	2 / (8)	3 / (24)	8 / (24)
Digital relay outputs (control/pulse)	1	2	1	1	1	2 / (4)	2 / (4)	1 / (8)	4 FA/2RO (8RO) <sup>①</sup>
Integrated display	B/W	B/W	B/W	Opt. Color	■	B/W	B/W	Color	Color
<b>Setpoints, Alarming and Control</b>									
Setpoints, minimum response time	■	■	■	■	■	■	■	1/2 cycle	1/2 cycle
Math, logic, trig, log, linearization formulas	■	and/or, ><	■	Grouping	and/or, ><	and/or, ><	and/or, ><	■	■
Multi-condition alarms	■	■	■	■	■	■	■	■	■
Email on alarm	■	■	■	■	■	■	■	■	■
<b>Revenue metering</b>									
ANSI C12.1 accuracy compliant	1.0	■	■	■	■	■	■	■	■
ANSI C12.20	■	0.5	0.2	0.2	0.5	0.5	0.2	0.2 <sup>②</sup>	0.2
EN50160 Compliance Reporting	■	■	■	■	■	■	■	■	■ (Ed4)
IEC 61000-4-30 Class A/S	■	■	■	■	■	■	■	■ (Class S Meter)	■ (Class A Ed3)
IEC 61577-12 accuracy compliant	1.0	0.5	■	■	0.5	0.5	■	■	■
IEC 62053-22 replaces IEC 60687 0.2S compliant	■	■	■	■	■	■	■	■	■ (0.1S)
IEC 62053-23, 24 compliant for Reactive Energy accuracy	■	■	■	■	■	■	■	■	■ (0.25)
IEC 62586-1 (new Power Quality standard)	■	■	■	■	■	■	■	■	■
IEC 60687 accuracy class compliant	■ (1.0)	■ (0.5)	■	■ (0.2)	■ (0.5)	■ (0.5)	■ (0.2)	■ (0.2)	■ (0.2)
ANSI class 10, IEC 1/10 (1A nominal, 10A max)	■	■	■	■	■	■	■	■	■
ANSI class 20, IEC 5/20 (5A nominal, 20A max)	■	■	■	■	■	■	■	■	■
Time-of-use	■	■	■	■	■	■	■	■	■

Some Features are optional, Refer to datasheets for allowable port configurations. Products meet or exceed the accuracy requirements of the standards listed; due to form factors, not all ANSI/IEC compliance tests may apply. Some products certified by third party laboratory.

① FA - Form A contact output, RO - Relay output.  
 ② This meter is 0.2S compliant at 5A nominal CT, and 0.5S compliant at 1A nominal CT.  
 ③ Load profile kWh/day for 63 days. kWh/month for 24 months.  
 ④ Load profile kWh/15min values for 40 days.

# PAC2200 Power Meter

General

## Reliable and Precise Monitoring of Electrical Power Systems

The **PAC2200** is a powerful compact din rail mounted power monitoring device that is suitable for use in industrial, government and commercial applications where basic metering and energy monitoring is required. The meter may be used as a standalone device monitoring over 50+ parameters or as part of an industrial control, building automation or global power monitoring system. Metering and monitoring applications range from simple analog volt and amp meter replacements to stand-alone cost allocation installations with multiple tariffs.

The PAC2200 provides open communications using Modbus RTU/TCP, and Mbus protocols for easy integration into any local or remote monitoring system. With a built-in web server viewing your data has never been easier. Simple configuration of the meter can be done from the front display or by using a PC with SENTRON powerconfig setup free software available for download from SIEMENS website.

### Precision

- ANSI C12.1 Class 1
- Energy Measurement
  - Voltage +/- 0.5%
  - Current +/- 0.5%
  - Power Factor +/- .5%
  - Sampling Rate 135K/per cycle
- Revenue Accurate
  - Cost Allocation
  - MID Certified variant for European customers
- Cost Effective

### Energy Management

- Serves three masters via the TCP connection
- Energy Consumption
- Automation Integration
- Solution for LEED® credit
- Monitors Critical Equipment
- Modbus TCP/RTU
- Mbus

### Reliability

- Economical Measurement
  - Commercial
  - Industrial
  - Residential
- Degree of Protection
  - Front – IP40
  - Rear – IP20
- 480V Connected Voltage
- Simple Retrofit Installation
- Integration with Existing Systems

97 mm [3.8 in]  
108 mm [4.2 in]  
71 mm [2.8 in]

Condensed LCD Display to indicate:

- Display title or designation of the displayed measurements
- Phase
- Measured value
- Unit
- Labeling of function keys

**Example of operating menu:**  
The texts can be displayed in several languages, which can be selected directly on the device.① The condensed graphic LCD display facilitates reading even from a distance. For optimum visibility even in poor light conditions the PAC2200 comes with a gradually adjustable background illumination.

### Order information

Product	Catalogue Number
PAC2220 Modbus RTU, L-L: 400 V, L-N: 230 V, 5 Amp, self-powered, screw terminals	7KM22002EA301DA1
PAC2220 Modbus TCP, L-L: 400 V, L-N: 230 V, 5 Amp, strd rail instr, self-powered, screw terminals	7KM22002EA301EA1
PAC2220 Modbus RTU, MID Certified, L-L: 400 V, L-N: 230 V, 5 Amp, self-powered, screw terminals	7KM22002EA301HA1
PAC2220 Modbus TCP, MID Certified ,L-L: 400 V, L-N: 230 V, 5 Amp, self-powered, screw terminals	7KM22002EA301JA1

① Languages included as standard in the meter are English, German, French, Spanish, Italian, Portuguese, Turkish, Russian and Chinese.

# PAC3120 Power Meter

## Basic Monitoring of Electrical Power Systems

The **PAC3120** is a powerful compact power monitoring device that is suitable for use in industrial, government and commercial applications, where basic metering and energy monitoring is required. The meter may be used as a stand alone device monitoring over 100+ parameters or as part of an industrial control, building automation or global power monitoring system. Metering and monitoring applications range from simple analog volt and amp meter replacements to stand-alone cost allocation installations.

The PAC3120 has many features not usually found in this price class of meters. A large graphical display supports multiple languages and easy to use menus that can be used to set up the meter. The meter also has built in Modbus RTU communications via a RS485 interface. The meter comes standard with two digital inputs and two digital outputs. One output is suitable for pulse output for export/import real and reactive energy. The other output is controllable from an outside source by way of a Modbus register.

### Precision


- ANSI C12.20 class 0.5
- Energy Measurement
  - Voltage +/- 0.2%
  - Current +/- 0.2%
  - Power Factor +/- 0.5%
  - Sampling Rate 135k/per cycle
- Revenue Accurate
  - Cost Allocation
- Cost Effective

### Energy Management

- Energy Consumption
- Demand Control
- Automation Integration
- Solution for LEED® credit
- Monitors Critical Equipment
- Sub Metering


### Reliability


- Economical Measurement
  - Commercial
  - Industrial
  - Residential
- Degree of Protection
  - Front – IP65
  - Rear – IP20
- 480V Connected Voltage
- Simple Retrofit Installation
- Integration with Existing Systems



96 mm [3.78 in.]

96 mm [3.78 in.]





Full Graphic LCD Display to indicate:

- Display title or designation of the displayed measurements
- Phase
- Measured value
- Unit
- Labeling of function keys

**Example of operating menu**

With an easy-to-read adjustable back lit LCD display, the PAC3120 can be commissioned in only two steps. After selecting the language and setting two parameters (voltage and current inputs), the meter is ready for use.Ⓞ

### Order information

Product	Catalogue Number
PAC3120 Compression terminals AC/DC	<b>7KM31200BA011DA0</b>
PAC3120 Compression terminals DC Only	<b>7KM31201BA011EA0</b>
Adapter Plate for 4700/4720 meter cutout	<b>93-47ADAPTER</b>
PAC32/4200 Meter DIN Rail adapter – Meter display will not be seen	<b>7KM9900-0YA00-0AA0</b>
PAC32/4200 Meter DIN Rail 2-adapter – Meter display will not be seen	<b>7KM9900-0XA00-0AA0</b>

Ⓞ Languages included as standard in the meter are English, German, French, Spanish, Italian, Portuguese, Turkish, Russian and Chinese.

# PAC3200T Power Meter

General

## Reliable and Precise Monitoring of Electrical Power Systems

The **PAC3200T** is a powerful compact din rail mounted power monitoring device that is suitable for use in industrial, government and commercial applications where basic metering and energy monitoring is required. The meter may be used as a standalone device monitoring over 100+ parameters or as part of an industrial control, building automation or global power monitoring system. Metering and monitoring applications range from simple analog volt and amp meter replacements to stand-alone cost allocation installations with multiple tariffs.

The PAC3200T provides open communications using Modbus TCP protocol for easy integration into any local or remote monitoring system. With a built-in web server viewing your data has never been easier. Simple configuration of the meter can be done by using a PC with SENTRON powerconfig setup free software available for download from SIEMENS website.

### Precision

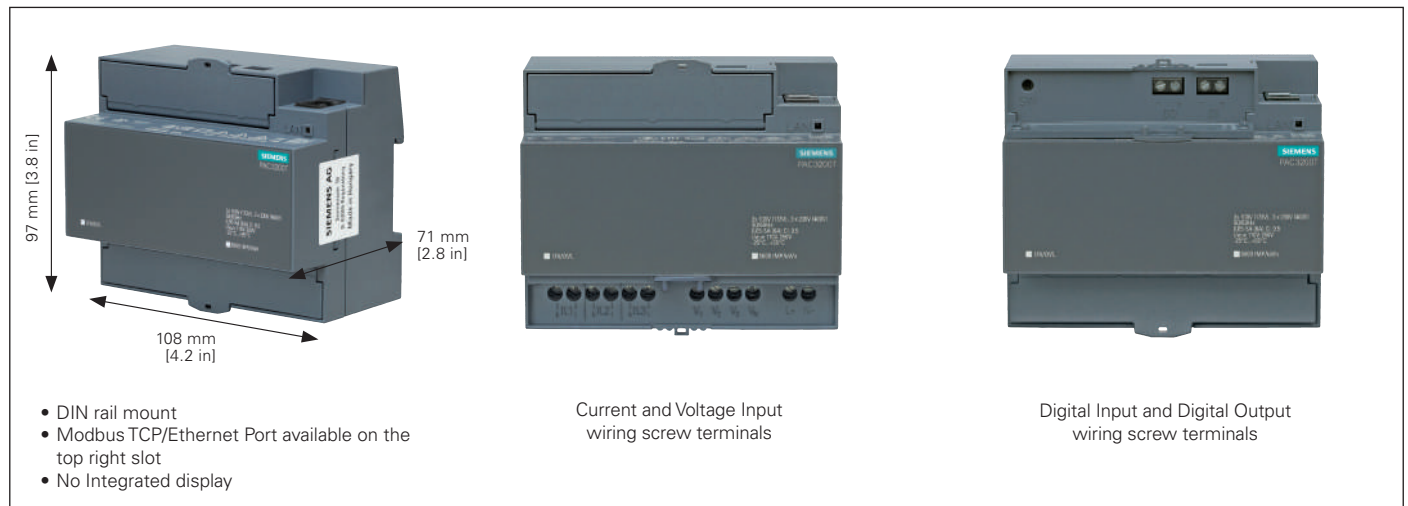
- ANSI C12.20 Class 0.5s
- Energy Measurement
  - Voltage +/- 0.5%
  - Current +/- 0.5%
  - Power Factor +/- .5%
  - Sampling Rate 135K/per cycle
  - Total Harmonic Distortion (THD)
- Revenue Accurate
  - Cost Allocation
- Cost Effective

### Energy Management

- Serves three masters via the TCP connection
- Energy Consumption
- Automation Integration
- Solution for LEED® credit
- Monitors Critical Equipment
- Modbus TCP/RTU

### Reliability

- Economical Measurement
  - Commercial
  - Industrial
  - Residential
- Degree of Protection
  - Front – IP40
  - Rear – IP20
- 480V Connected Voltage
- Simple Retrofit Installation
- Integration with Existing Systems



### Order information

Product	Catalogue Number
PAC3200T DIN Rail Mount Power Meter without DISPLAY, AC/DC, Modbus TCP, L-L: 400 V, L-N: 230 V, 5 A, wide-range pwr sup. unit AC/DC, screw terminals	7KM32000CA011AA0

© Languages included as standard in the meter are English, German, French, Spanish, Italian, Portuguese, Turkish, Russian and Chinese.

# PAC3220 Power Meter

General

## Reliable and Precise Monitoring of Electrical Power Systems

The **PAC3220** is a powerful compact power monitoring device that is suitable for use in industrial, government and commercial applications where basic metering and energy monitoring is required. The meter may be used as a stand alone device monitoring over 100+ parameters or as part of an industrial control, building automation or global power monitoring system. Metering and monitoring applications range from simple analog volt and amp meter replacements to stand-alone cost allocation installations with multiple tariffs.

The PAC3220 provides open communications using Modbus RTU/TCP, PROFIBUS-DP, and PROFINET protocols for easy integration into any local or remote monitoring system. With a built-in web server viewing your data has never been easier. Simple configuration of the meter can be done from the front display or by using a PC with SENTRON powerconfig setup free software available for download from SIEMENS website.

### Precision


- ANSI C12.20 Class 0.5s
- Energy Measurement
  - Voltage +/- 0.2%
  - Current +/- .2%
  - Power Factor +/- .5%
  - Sampling Rate 135K/per cycle
  - Total Harmonic Distortion (THD)
- Revenue Accurate
  - Cost Allocation
- Cost Effective

### Energy Management

- Serves three masters via the TCP connection
- Energy Consumption
- Automation Integration
- Solution for LEED® credit
- Monitors Critical Equipment
- Modbus TCP/RTU
- Industrial Systems
  - PROFIBUS
  - PROFINET


### Reliability


- Economical Measurement
  - Commercial
  - Industrial
  - Residential
- Degree of Protection
  - Front – IP65
  - Rear – IP20
- 600V Connected Voltage
- Simple Retrofit Installation
- Integration with Existing Systems



96 mm [3.78 in.]

96 mm [3.78 in.]





Full Graphic LCD Display to indicate:

- Display title or designation of the displayed measurements
- Phase
- Measured value
- Unit
- Labeling of function keys

**Example of operating menu:**

The texts can be displayed in several languages, which can be selected directly on the device.Ⓢ The large graphic LCD display facilitates reading even from a distance. For optimum visibility even in poor light conditions the PAC3220 comes with a gradually adjustable background illumination.

Example of Optional Expansion Module install

### Order information

Product	Catalogue Number
PAC3220 compression terminals (not suitable for use with ring tongue terminals), AC/DC	7KM32200BA011DA0
PAC3220 compression terminals (not suitable for use with ring tongue terminals), DC only	7KM32201BA011EA0
Expansion Module - PAC PROFIBUS DP	7KM93000AB010AA0
Expansion Module - PAC PROFINET	7KM93000AE020AA0
Expansion Module - PAC MODBUS RTU	7KM99000XA000AA0
Expansion Module - I(N), I(Diff), Analog for PAC 3220 or 4200	7KM92000AD000AA0
PAC3220/4200 Meter DIN Rail adapter – Meter display will not be seen	7KM99000YA000AA0
PAC3220/4200 Meter DIN Rail 2-Tier adapter – Meter display will not be seen	7KM99000XA000AA0
Power Supply. Input: 120-230V AC / 110-300V DC Output: 24 V DC 4 Amps. DIN Rail mounted.	US2:PWRS4A
Adapter Plate for 4700/4720 meter cutout	93-47ADAPTER

Ⓢ Languages included as standard in the meter are English, German, French, Spanish, Italian, Portuguese, Turkish, Russian and Chinese.



# PAC4200 Power Meter

## Reliable and Precise Monitoring of Electrical Power Systems

The **PAC4200** is a feature packed power monitoring device that is suitable for use in industrial, government and commercial applications where basic to advanced metering, logging, and I/O is required. The meter may be used as a stand alone device monitoring over 200 parameters or as part of an industrial control, building automation or global enterprise wide monitoring system.

Advanced power quality monitoring and logging applications range from single low-voltage breaker / building metering to sub-station main feeder monitoring, cost allocation installations with multiple tariffs. Whether your goal is to reduce operation cost, reduce your carbon footprint or to maintain

your power assets, the PAC4200 meter should be an important part of your power monitoring system.

The PAC4200 provides open communication using the standard built-in Ethernet Modbus TCP and has the capability of communicating through Optional Modbus RTU, PROFIBUS-DP, and PROFINET protocol modules simultaneously. This allows for easy integration into any local or remote monitoring system. With a built-in web server viewing your data has never been easier. The gateway functionality of this device reduces installation cost by replacing other gateway devices and simplifying wiring.

### Precision

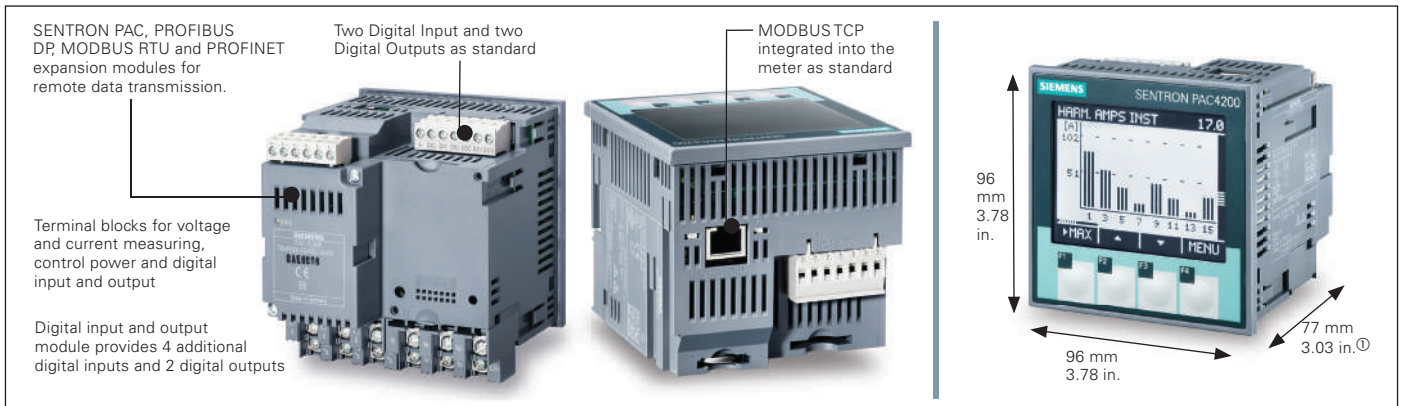
- ANSI C12.20 Class .2s
- Energy Measurement
  - Voltage +/- .2%
  - Current +/- .2%
  - Power Factor +/- .5%
  - Sampling Rate 204/per cycle
  - Individual Harmonics up to 63rd
- Power Quality
- Revenue Accurate
  - Cost Allocation
- Cost Effective

### Energy Management

- Serves three masters via the TCP connection
- Energy Consumption
- Min/Max and Event Logs
  - Storage Capacity 40 days at 15 min intervals
  - Event Logging 4000 events
- Demand Control
- Automation Integration
- Modbus Gateway
- Modbus TCP/RTU
- Industrial Systems
  - PROFIBUS
  - PROFINET

### Reliability

- Monitors Critical Equipment
- Economical Measurement
  - Commercial
  - Industrial
- Degree of Protection
  - Front – IP65
  - Rear – IP20
- 600V Connected Voltage
- Customizable Displays
- Simple Retrofit Installation
- Integration with Existing Systems
- Solution for LEED® credit



### Order information

Product	Catalogue Number
PAC4200 compression terminals (not suitable for use with ring tongue terminals), AC/DC	7KM42120BA003AA0
PAC4200 compression terminals (not suitable for use with ring tongue terminals), DC only	7KM42111BA003AA0
Expansion Module - PAC PROFIBUS DP	7KM93000AB010AA0
Expansion Module - PAC PROFINET	7KM93000AE020AA0
Expansion Module - PAC MODBUS RTU	7KM99000XA000AA0
Expansion Module - PAC additional I/O	7KM92000AB000AA0
Expansion Module - I(N), I(Diff), Analog for PAC 3220 or 4200	7KM92000AD000AA0
PAC3220/4200 Meter DIN Rail adapter – Meter display will not be seen	7KM99000YA000AA0
PAC3220/4200 Meter DIN Rail 2-Tier adapter – Meter display will not be seen	7KM99000XA000AA0
Power Supply. Input: 120-230V AC / 110-300V DC Output: 24 V DC 4 Amps. DIN Rail mounted.	US2:PWRSP4A
Adapter Plate for 4700/4720 meter cutout	93-47ADAPTER

© 99mm, 3.90 in., with expansion module

# 9410 Web-Enabled Power Quality & Analysis Meter

## Reliable and Precise Monitoring of Electrical Power Systems

The 9410 series meters are ideally suited to local and remote monitoring of low or high-voltage electrical installations in industrial facilities, commercial buildings, utility networks or critical power environments. Facility and operations personnel will benefit in energy-related costs while avoiding power quality conditions that can reduce equipment life and productivity.

The 9410 series meter is easy to install and use, offering integrated or remote high-visibility displays. A range of expansion modules help match features to the application and support field-upgrading of meters as required. Serial and Ethernet communication enable the meter to be used within a WinPM.Net power management system or with third-party management systems.

### Precision

- ANSI C12.20 Class 0.2s
  - Energy Measurement
  - Voltage +/- .1%
  - Current +/- .1%
  - Power Factor +/- .5%
  - Sampling Rate 256/ per cycle
  - Individual Harmonics up to 63rd
  - Sags / Swells Detection
  - Programmable Math / Logic Function
- Revenue Accurate
  - Sub Billing
  - Cost Allocation

### Energy Management

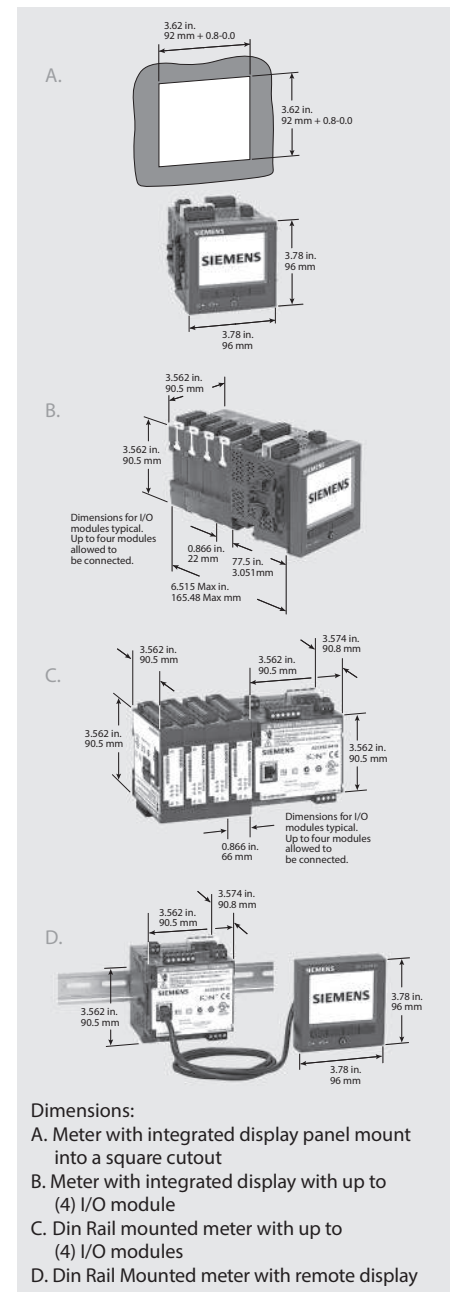
- Energy Consumption
- 9410 Waveform Capture
- Customizable Webpages
- Min/Max and Event Logs
- Demand Control
- Automation Integration
- Solution for LEED® credit
- Monitors Critical Equipment
- Modbus Gateway
- Modbus TCP/RTU
- Modbus Master
- Industrial Systems
- IEC 61850 Protocol

### Reliability

- Economical Measurement
  - Commercial
  - Industrial
- Degree of Protection
  - Front – IP54, UL type 12
  - Rear – IP30
- 600V Connected Voltage
- Customizable Displays
- Email Alarms through Ethernet
- Field Addable Modules
- Simple Retrofit Installation
- Integration with Existing Systems

### Order information

Product	Catalog Number
9410 Panel meter with integrated colour display, 1 DO, 3 DI, dual port Ethernet	9410DC
9410 DIN transducer meter packaged with remote display (includes 3m cable )	9410RC
9410 Meter without display (DIN rail mount transducer version) with 1 DO, 3 DI, dual port Ethernet	9410TC
Accessories	Catalog Number
9410 Remote colour LCD display, 96 mm x 96 mm, with 3 m cable	948DISP96
9410 I/O Module with 2 relay outputs, and 6 digital inputs (wetted)	948M2DO6DI
9410 I/O Module, 2 analog outputs (4 - 20 mA, 0- 10 VDC), and 4 analog inputs (4 - 20 mA, 0 - 30 VDC)	948M2AO4AI
9410 Voltage and Current Sealing Kit (included with base meter)	9410SK
9410 Remote display cable, 10 meters	948DCAB10
9410 Remote Display Mounting Adapter kit for 4" round hole - requires 9410RC	94PMAK
9410 Replacement hardware kit for 9410 meter	94PMHWK
9410 Replacement hardware kit for remote display	94PMRDHWK





# 9810 Power Quality Meter and Analysis Meter

## Power Quality Meter with Web Server Technology

The Siemens 9810 series high accuracy and advanced power quality meter combines accurate; 3-phase energy and power measurement with data logging, power quality analysis, e-mail, alarming, Modbus mastering, Transient detection, Disturbance Direction Detection (DDD), Pre-Event/Post-Event Waveform capture and extensive I/O capabilities in a highly flexible and modular format. Analysis results are captured in the event log, along with a time-stamp and confidence level indicating level of certainty. The 9810 base meter includes 8 digital inputs capable of providing  $\pm 1$  millisecond time stamping and 4 digital outputs. The 9810 meters support numerous protocols including Modbus, ION, DNP3, IEC 61850, HTTP, HTTPS, DLMS, FTP, SNMP, SMTP, DPWS, RSTP, PTP, NTP/SNTP, GPS, Syslog, and DHCP protocols.

Fast sampling rates and extensive memory make this the perfect choice for critical power systems making analysis of issues possible for correction and prevention. As a data accumulator, the 9810 meter can also save money and time by simplifying wiring and networking. Information from the meter and downstream devices can be displayed on the large capacitive 7" touch display or smaller 3.5" display, on customizable web pages in reports and screens.

Applications for the 9810 meter range from critical power applications such as data centers to industrial, commercial and government power and power quality monitoring systems. The 9810 meter is offered in a number of forms from single meter enclosures integrated into Siemens switchgear, switchboard and panelboards. Place this high end power quality meter throughout the power distribution system where critical information is desired. Know what is happening in your facility and get maximum efficiency.



## Energy Management

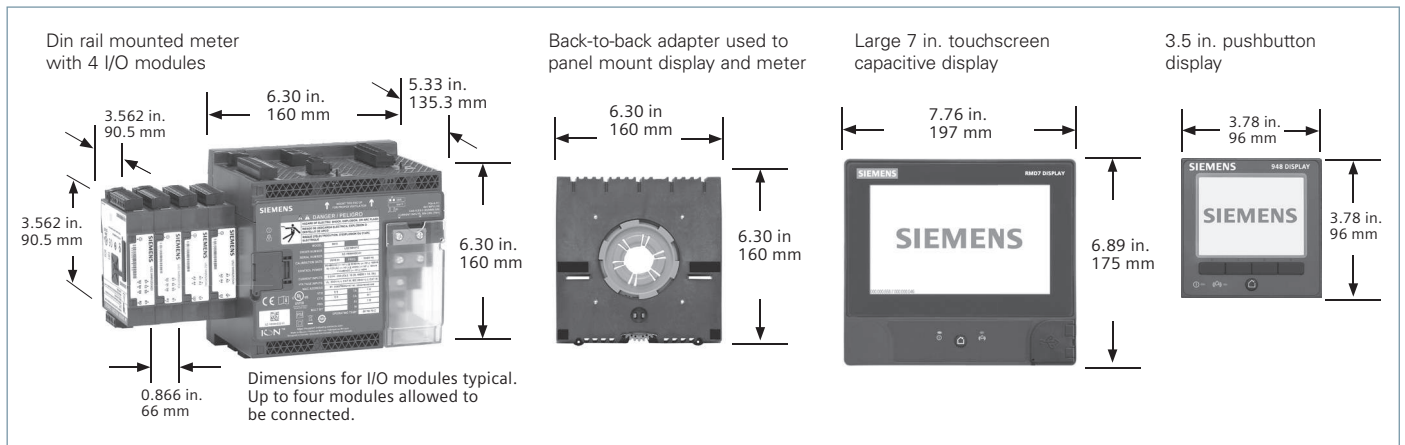
- Energy Consumption
- Waveform Capture
- Transient Capture 17  $\mu$ s @ 60 Hz
- Disturbance Direction Detection (DDD)
- Customizable Webpages
- Extensive data logging, trending and forecasting  
Non-volatile on-board logging of min/max values, energy and demand, maintenance data, alarms, and any measured parameters. Trending and short-term forecasting of energy, demand, and measured parameters.
- Demand Control
- Automation Integration
- Monitors Critical Equipment
- Modbus Master / Gateway
- Supports Multiple Protocols
- Supports Multiple Master via Ethernet

## Precision

- ANSI C12.20 Class .1s
- Energy Measurement
  - Voltage +/- .1%
  - Current +/- .1%
  - Power Factor +/- .5%
  - 9810 Sampling Rate  
1024 samples per cycle
  - 9810 Individual Harmonics  
up to 63rd
  - Sags / Swells Detection
  - Programmable Math /  
Logic Function
- Revenue Accurate
  - Cost Allocation

## Reliability

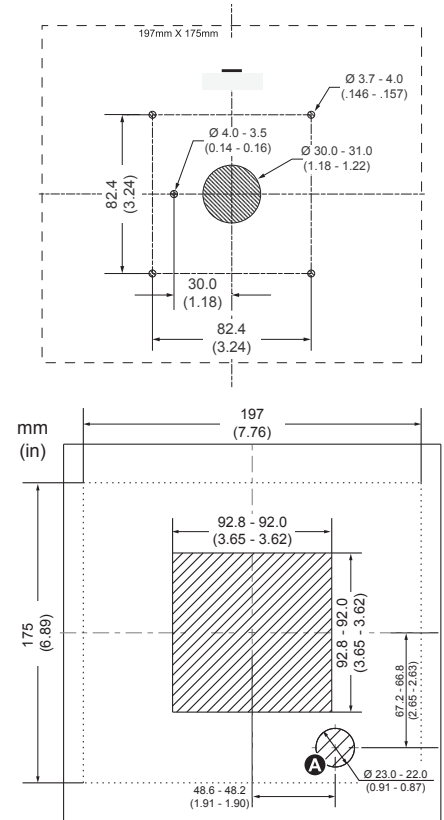
- Economical Measurement
  - Commercial
  - Industrial
- 600V Connected Voltage
- Email Alarms
- Customizable Displays
- Password Protected
- Hardware Lockable
- Supports Copper Ethernet
- Integration with Existing Systems



# 9810 Power Quality Meter and Analysis Meter

## Order information

Product	Catalog Number
9810 with 7" display (either din rail or panel mount)	<b>9810RC</b>
9810 without display	<b>9810TC</b>
Accessories	Catalog Number
Large 7" display	<b>9810R7DISP</b>
Small 3.5" display + 3M cable	<b>948DISP96</b>
Remote display cable 10 M	<b>948DCAB10</b>
Remote display hardware kit	<b>9810PMRDHWK</b>
Expansion Modules	Catalog Number
I/O Module-Digital (6IN/2OUT)	<b>948M2DO6DI</b>
I/AI Module-Analog (4IN/2OUT)	<b>948M2AO4AI</b>
Miscellaneous	Catalog Number
9810 Hardware Kit	<b>9810PMHWK</b>
9810 Back to Back adapter	<b>9810BBADAPTER</b>
9810 Current Input Green Connectors Hardware Kit.	<b>9810CTHWK</b>
9610/9510/ADR to 9810 mounting adapter	<b>9810MADAPTER</b>



## Electrical Characteristics

Measurement accuracy	Current and voltage	Class 0.1 as per IEC 61557-12
	Active power	Class 0.1 as per IEC 61557-12
	Power factor	Class 0.5 as per IEC 61557-12
	Frequency	Class 0.02 as per IEC 61557-12
	Active energy	Class 0.1S IEC 62053-22 (In=5A)
	Reactive energy	Class 0.1 IEC 61557-12, ANSI C12.20 Class 0.1 Class 0.5S IEC 62053-24
Data update rate	1/2 cycle or 1 second	
Input-voltage characteristics	Specified accuracy voltage	57 VLN/100 VLL TO 400 VLN/690 VLL
	Impedance	5MΩ per phase
	Specified accuracy frequency	42 to 69Hz (50/60Hz nominal)
	Limit range of operation -frequency	20 to 450Hz
Input-current characteristics	Rated nominal current	1A (0.1S), 5A (0.1S), 20A (0.1ANSI)
	Specified accuracy current range	Starting Current: 1mA (No Accuracy) Accurate Range: 10mA-20A
	Permissible overload	500A rms for 1s
	Impedance	0.0003Ω per phase
	Burden	0.01 VA max at 5A
Power supply	AC	90-480V AC ±10% (50/60Hz ± 10%), 90-120V AC ±10% (400Hz)
	DC	110-480V DC ±15%
	Ride-through time	100 ms (6 cycles at 60Hz) typical, 120V AC 400 ms (24 cycles at 60Hz) typical, 240V AC 1200 ms (72 cycles at 60Hz) typical, 480V AC
	Burden	Meter Only: 16.5W/38 VA max at 480V AC (50/60 Hz) Fully optioned meter: 40W/80 VA max at 480V AC (50/60 Hz)
Input/outputs	Meter Base Only	Meter Base Only 8 form A digital inputs (30V AC/60V DC) 4 form A (KY) solid state digital output (30V AC/60V, 75mA) 2 form C relay outputs (8 A at 250 V AC/ 5 A at 24 V DC)
	Optional	Digital - 6 form A digital inputs (30V AC/60V DC) 8 A at 250V AC or 5A at 24V DC Analog - 4 analog inputs (4-20mA, 0-30V DC) +2 analog outputs (4-20mA 0-10V DC)

## Mechanical Characteristics

Weight	DIN rail mounted Model 1.5 kg	Dimensions	Panel mount model: Color remote display	160 x 160 x 135.3 mm
	I/O modules 0.140 kg		(2 options): 197 x 175 x 27.5 mm touch-screen 96 x 96 x 27 mm pushbutton	
	7" Touchscreen display: 0.861 kg			
IP degree of protection	3.5" Display: 0.300 kg	DIN model	160 x 160 x 135.3 mm	
	IP 65, UL type 12: Panel mount and touchscreen display, front.	I/O modules	90.5 x 90.5 x 22 mm	
	IP 30: Panel mount rear, DIN rail mount, I/O modules.	Touchscreen Display(s)	192 mm and 96 mm	

# Enclosed Meters

## Convenience and Reliability with Siemens Meter Enclosures

For economical and simple monitoring solutions, turn to Siemens metering units. Installed in rugged NEMA enclosures, these metering units are ideal for;

- Property Management Firms
- Malls
- Government Applications
- Food Courts
- Universities
- Building Retrofits
- Corporate Facilities
- High Rise Condos

The Siemens Meter Enclosure solution is shipped with all the required components pre-installed prior to shipment. The control voltage / voltage taps are wired to a protection device for safety of the meter and wiring and to provide a disconnect from outside power to the meter. Since safety is paramount, the meter CT connections are wired out to shorting blocks and shipped shorted. The enclosure also has a ground lug for equipment grounding. When the control voltage is greater than 240 volts, a CPT is provided between the breaker and the meter.

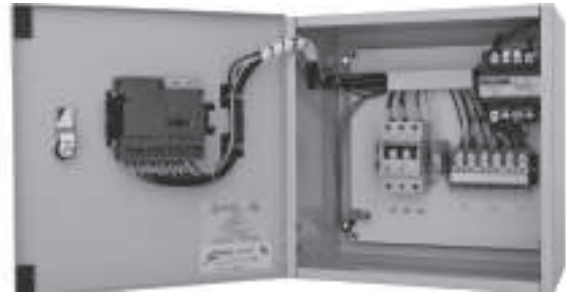
Siemens will be offering its Enclosed Meter solutions with all of its major Power Meter Options. The following options will be available for selection and application:

### Enclosure Types:\*

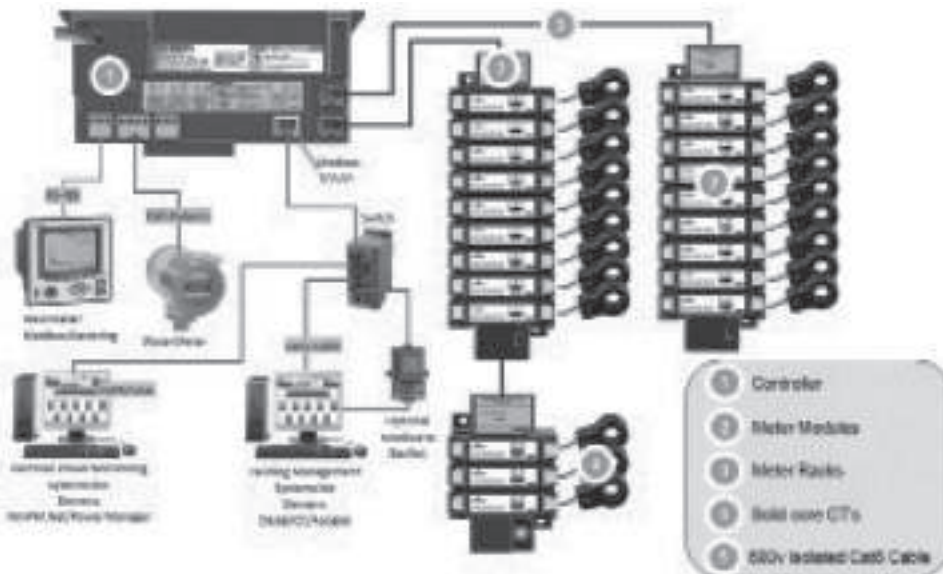
- NEMA 1
- NEMA 3R
- NEMA 12

### Power Meter Series:

- PAC Meter Series \*\*
- 9410 Meter Series
- 9810 Meter Series
- SEM3 - Embedded Metering Solution



**NEMA 1 Enclosure Metering Solution**



\* NEMA 4X Enclosure option is available on special requests.  
 \*\* Includes PAC 3100, 3200 and 4200

# Enclosed Meters

## Standard PAC Meter

### Catalogue Number

E N C L X X X X X X X X X X X

#### Meter

- 31 PAC3100 Series Meter ①
- 32 PAC3200 Series Meter ②
- 42 PAC4200 Series Meter ②

#### Voltage

- 240 240 Volts
- 480 480 Volts
- 600 600 Volts

#### Wiring Configuration

- A 3 phase 3 wire
- B 3 phase 4 wire

#### Enclosure Type

- 01 Type 1
- 04 Type 4
- 12 Type 12

#### Communication

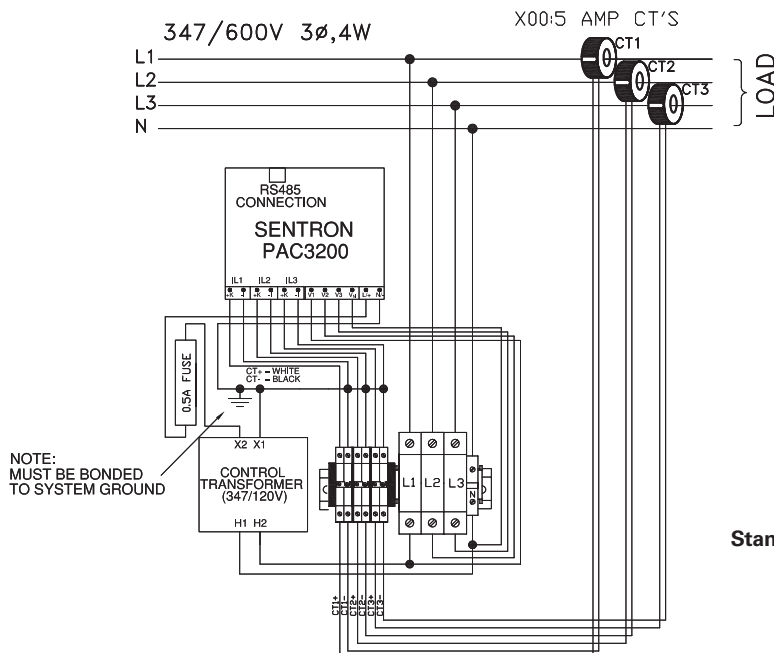
- TC Standard
- RT RTU ③
- PD Profibus ③
- PN Profinet ③

#### Options

- X 4DI + 2DO ④

① PAC3100 standard is Modbus RTU  
 ② Only available for PAC3200 and 4200 Meter

③ PAC3200 and 4200 standard is Modbus TCP/IP  
 ④ Only available for PAC4200 Meter



Standard PAC Meter in Enclosure Schematic

# Enclosed Meters

## Standard 9410 Meter

### Catalogue Number

Catalogue No.

E N C L X X X X X X X X X X X X

**Meter**

- 94DC 9410DC - 9410 meter with integrated display
- 94RC 9419RC - 9410 meter with remote display

**Voltage**

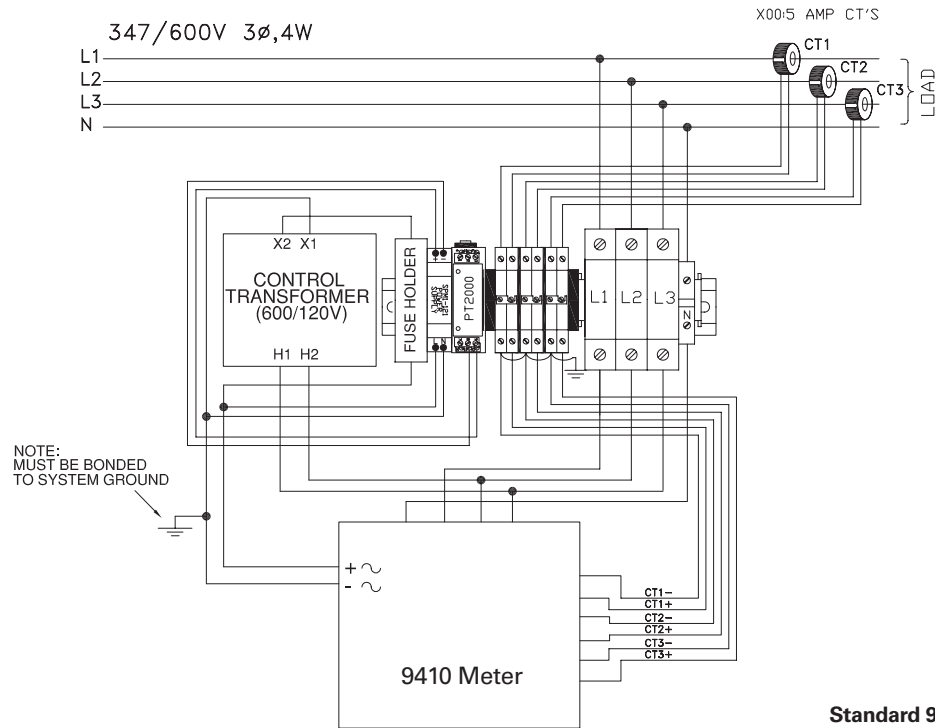
- 240 240 Volts
- 480 480 Volts
- 600 600 Volts

**Wiring Configuration**

- A 3 phase 3 wire
- B 3 phase 4 wire

**Enclosure Type**

- 01 Type 1
- 04 Type 4
- 12 Type 12



Standard 9410 Meter in Enclosure Schematic

# Enclosed Meters

## Multiple PAC Series Metering Solutions

With safety being paramount, Siemens has designed the SMU with many safety and convenience features in mind. These include a single circuit breaker for both the control voltage & voltage taps to protect internal wiring and the power meters from damage and allowing a “single source” disconnect from outside power, separate CT shorting blocks for each meter, a grounding lug and either the Modbus serial communications or TCP/IP will be terminated to one location for ease of network installation.

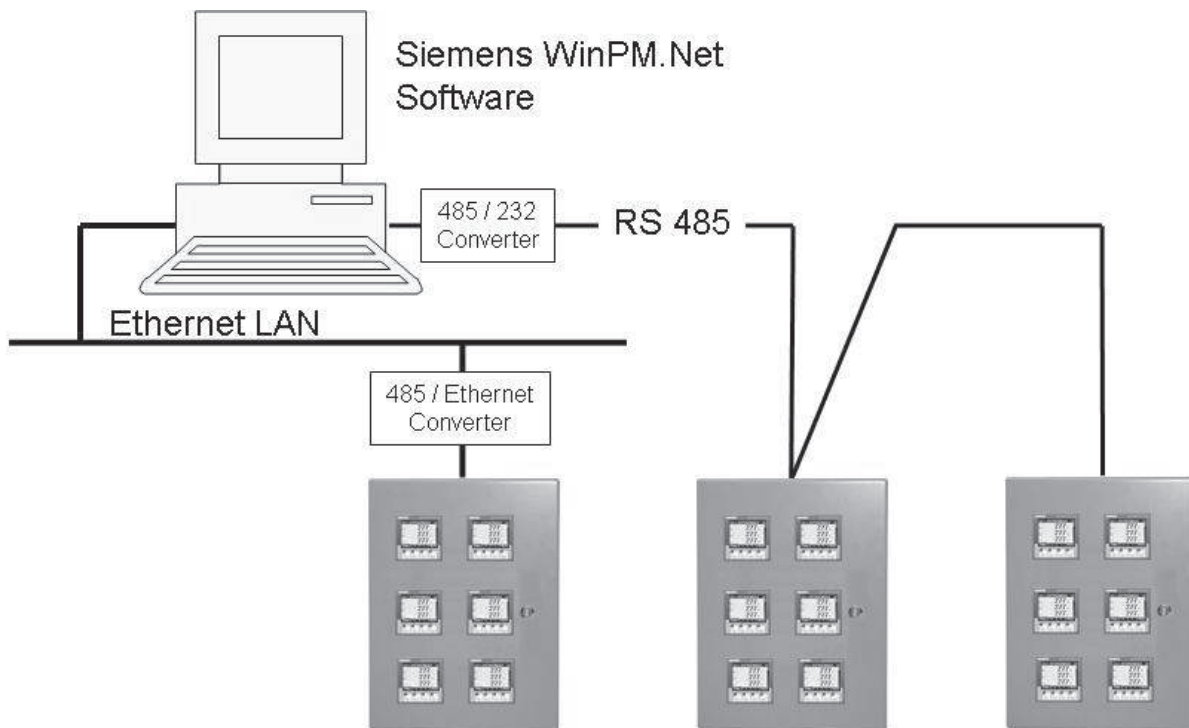
If required, a CPT will be provided for control voltages above 240 volts. This complete SMU solution is delivered ready to install with all the components pre-installed prior to shipment.

The Siemens PAC Series Metering Units (SMU) come completely pre-wired and ready to go with our standard PAC3100 and PAC3200 energy meter. The SMU also has the option of adding the PAC4200 meter as gateway. The SMU’s can also be supplied with the more advanced Power Meters if required.

## Multiple PAC Series Metering Solutions

- Replace multiple meters with one enclosure and save wall space.
- Improve energy efficiency.
- Aggregate Energy Purchases for reduced rates.
- Improve productivity, eliminate manual meter when coupled with Siemens WinPM.Net or other software through automatic reporting software

## Typical SMU Network



# Enclosed Meters

## Multiplier Meter in Enclosure

### Catalogue Number

E N C L X X X X X X X X X X X X

#### Meter

- 31 PAC3100 Series Meter ①
- 32 PAC3200 Series Meter ②
- 42 PAC4200 Series Meter ②

#### Voltage

- 240 240 Volts
- 480 480 Volts
- 600 600 Volts

#### Wiring Configuration

- A 3 phase 3 wire
- B 3 phase 4 wire

#### Panel Size

- 02 Two Meter Panel
- 03 Three Meter Panel
- 04 Four Meter Panel

#### Installed Meters

- 02 Two Meters Installed
- 03 Three Meters Installed
- 04 Four Meters Installed

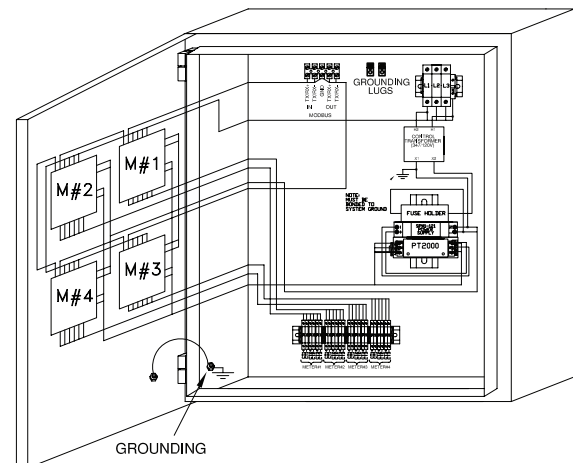
#### Enclosure Type & Module

- X Type 1
- B Type 12
- C Type 4
- D Type 1 Modbus RTU ③
- F Type 12 Modbus RTU ③
- G Type 4 Modbus RTU ③
- H Type 1 Ethernet ④
- J Type 12 Ethernet ④
- K Type 4 Ethernet ④

#### Communication

- TC Standard
- RT RTU ③
- PD Profibus ③

① PAC3100 standard is Modbus RTU  
 ② PAC3200 and 4200 standard is ModbusTCP/IP  
 ③ All Meters will come with Modbus RTU communication.  
 ④ All meter will come with TCP/IP protocol.  
 PAC3100 meter will have Ethernet converter installed.





# Branch Circuit Monitoring/ SEM3 Embedded Micro Sub Metering

Space Savings, Convenience, and Reliability with Siemens Branch Circuit Monitoring



In a world where tenant square footage is a premium in commercial building designs, the area for electrical metering is being drastically reduced, and critical power is being relied upon in data center applications, Siemens Branch Circuit Monitoring provides the solution.

The Siemens Branch Circuit Monitoring Solution utilizes the metering and monitoring technology integrated into the space saving panelboards from Siemens. When compared to the typical external wall mounted metering installations, considerable savings in space, installation costs, and data collection are realized with the Siemens Branch Circuit Monitoring Solution.

In addition, contractor labour costs for installation of sub-metering systems continues to increase. Still, building owners and property management companies must face the challenges of how to cost effectively provide tenant sub-metering in the constrained spaces.

To meet the sub-metering challenges of designers, contractors and property management companies, Siemens offers a proven cost-effective solution for Branch Circuit Monitoring/Embedded Metering. This solution combines a fully integrated metering system factory installed into the Siemens "P" series panelboards and switchboards, which along with the required local or remote sub-billing software, provides a "Total" sub-metering system.

## Siemens Branch Circuit Monitoring / Embedded Metering Solution

- Saves you money – A tenant billing system improves cash flow, allows immediate pass-on of electric rate increases and helps building owners control costs. Tenants are confident they are paying their fair share for energy use and are saving money through energy conservation.
- Fast, low-cost installation – The embedded Siemens solution provides a faster and lower cost installation compared to other external systems.
- Lower space requirements – The embedded panelboard construction design requires no additional wall space to provide tenant metering. Conventional metering requires an external metering enclosure and possibly a current transformer transition cabinet.
- Reliable and accurate – Many Siemens systems are already in operation in large commercial and residential buildings around the country. Their accuracy exceeds utility industry and government standards like EPact 2005 for revenue grade meters.
- LEED certification – Provides the energy monitoring and logging required to achieve additional LEED points.
- Automated billing – With automated billing services the responsibility to acquire the data, store the data and bill the tenants is removed from the property management company, thus saving manpower and time.
- Responsive service – With remote monitoring, continuous 24/7 monitoring can be done by the property management company or tenants. The service can also relay consumption changes to the owners for immediate investigation.

## Designer and contractor benefits include:

- Much smaller footprint versus the traditional socket meter combo units
- Factory pre-wired – less installation time
- Drastically less installation wiring
- No CT installation required in the field
- All equipment fits into the standard Siemens panel design
- Additional utilities like water, air and gas can be easily integrated into the system for a comprehensive monitoring system
- Hardwire and wireless communication options
- All components factory calibrated to meet revenue metering requirements
- Additional meters can be added in the field
- UL and CSA-us listed

## Branch Circuit Monitoring applications include:

- Mixed Tenant & Retail
- Industrial Manufacturing
- Higher Ed
- Strip Malls
- Critical Power
- Government
- LEEDS buildings
- Airports

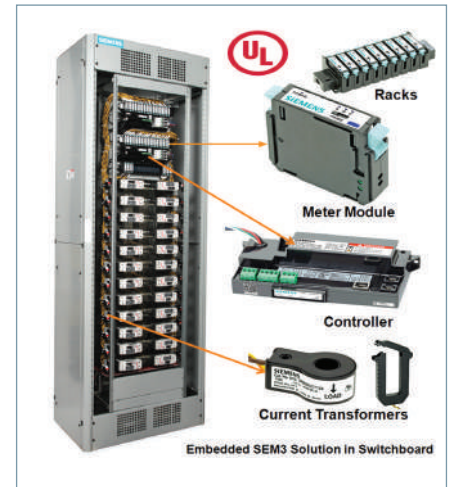
**Please Contact Your Siemens Sales Engineer for additional information regarding Branch Circuit Monitoring / Embedded Metering**

# Branch Circuit Monitoring/ SEM3 Embedded Micro Sub Metering

Powerful embedded metering at the source of consumption!

The new Siemens Embedded Micro Metering Module (SEM3) is a modular metering solution for energy monitoring, data analysis, and sub billing applications. The flexible design allows for low, medium, and high density metering requirements to be met efficiently and economically using only a few standardized components integrated into Siemens Panelboard and Switchboard products. SEM3 is pre-engineered to integrate into new Siemens Panelboards and Switchboards but has also been designed to be implemented in OEM and retrofit applications as well.

The SEM3 provides an innovative and cost effective metering solution that can be incorporated into existing applications such as power monitoring, building automation, and sub-billing systems. SEM3 also has the flexibility to be installed as a standalone solution with real time data available from the controller's standard built-in web pages. This metering product has two levels of accuracy to meet the market's differing requirements and price points. This versatile system allows you to meter just the loads you need without the excess hardware and space requirements of traditional or competing solutions.



## Features & Benefits:

- System designed to meter up to 45 metering points
- Easy retrofit and plug-n-play expansion features
- High metering accuracy up to 0.2%; standard 1.0%
- Installed and configured in SIEMENS engineered Panel boards, Switchboards, and Bus Plugs at SIEMENS Plants. SIEMENS ONE SOLUTION!
- Built-in HTML web pages for easy configuration & real-time data monitoring for Voltage, Current, Power, Energy, Water, and, Gas
- Modbus RTU, Modbus TCP, SNMP, NTP, BACnet IP & MSTP protocols
- Utilizes milliamp CT's reducing hardware and increasing safety
- Solid core CT's for high accuracy and split core CT's for easy retrofit.
- Emailing, Alarming, Trending, Totalizing, Event Logging & Data Logging
- Offline Configuration for improving Field and Factory engineering time
- 4 Language support includes English, German, French, and Spanish

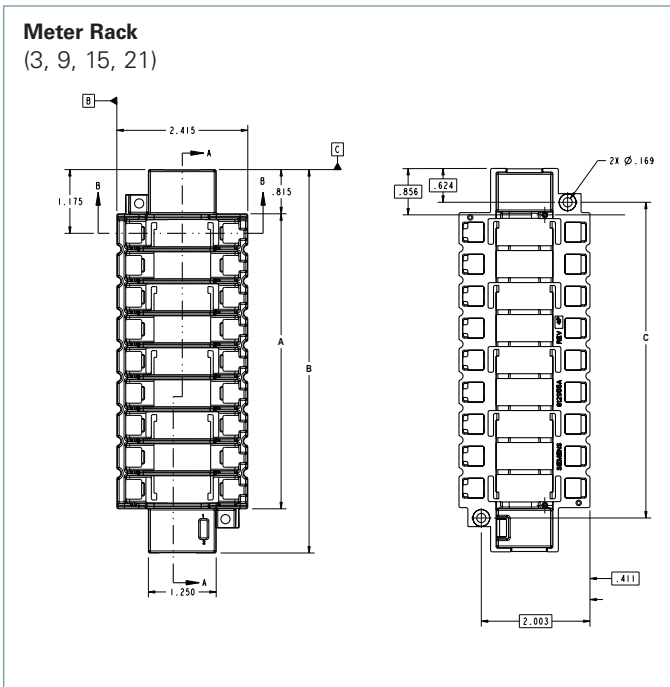
## Order Information

Controller	Catalogue Number	
Main Controller	<b>SEM3CONTROLLER</b>	
<b>Meter Modules</b>		
Meter - Standard Accuracy 1% with Pulse Output	<b>SEM3PLAMETER</b>	
Meter - High Accuracy 0.2% with Pulse Output	<b>SEM3PHAMETER</b>	
<b>Meter Modules</b>		
Meter Rack 3 Position	<b>SEM3RACK3</b>	
Meter Rack 6 Position	<b>SEM3RACK6</b>	
Meter Rack 9 Position	<b>SEM3RACK9</b>	
Meter Rack 15 Position	<b>SEM3RACK15</b>	
Meter Rack 21 Position	<b>SEM3RACK21</b>	
<b>Cables</b>		
Controller to Rack Cable - 6 Inch	<b>SEM3CAB6INCH</b>	
Controller to Rack Cable - 12 Inch	<b>SEM3CAB12INCH</b>	
Controller to Rack Cable - 24 Inch	<b>SEM3CAB24INCH</b>	
Controller to Rack Cable - 36 Inch	<b>SEM3CAB36INCH</b>	
Controller to Rack Cable - 5 Foot	<b>SEM3CAB5FT</b>	
Controller to Rack Cable - 10 Foot	<b>SEM3CAB10FT</b>	
Controller to Rack Cable - 20 Foot	<b>SEM3CAB20FT</b>	
<b>Solid Core CT's</b>		
Solid Core CT 50:0.1	<b>SEM3SCCT50</b>	
Solid Core CT 125:0.1	<b>SEM3SCCT125</b>	
Solid Core CT 250:0.1	<b>SEM3SCCT250</b>	
Solid Core CT 400:0.1	<b>SEM3SCCT400</b>	
Solid Core CT 600:0.1	<b>SEM3SCCT600</b>	
Solid Core CT 800:0.1	<b>SEM3SCCT800</b>	
Solid Core CT 1200:0.1	<b>SEM3SCCT1200</b>	
Solid Core CT 1600:0.1	<b>SEM3SCCT1600</b>	
Solid Core CT 2000:0.1	<b>SEM3SCCT2000</b>	
<b>Split Core CT's</b>		
Split Core CT 50:0.1	<b>7KT1280-5MA00</b>	
Split Core CT 125:0.1	<b>7KT1280-5MA01</b>	
Split Core CT 250:0.1	<b>7KT1280-5MA02</b>	
Split Core CT 400:0.1	<b>7KT1280-5MA03</b>	
Split Core CT 600:0.1	<b>7KT1280-5MA04</b>	
Split Core CT 800:0.1	<b>7KT1280-5MA05</b>	
Split Core CT 1200:0.1	<b>7KT1280-5MA06</b>	
Split Core CT 1600:0.1	<b>7KT1280-5MA07</b>	
Split Core CT 2000:0.1	<b>7KT1280-5MA08</b>	

# Embedded Micro Metering Module™

*Selection*

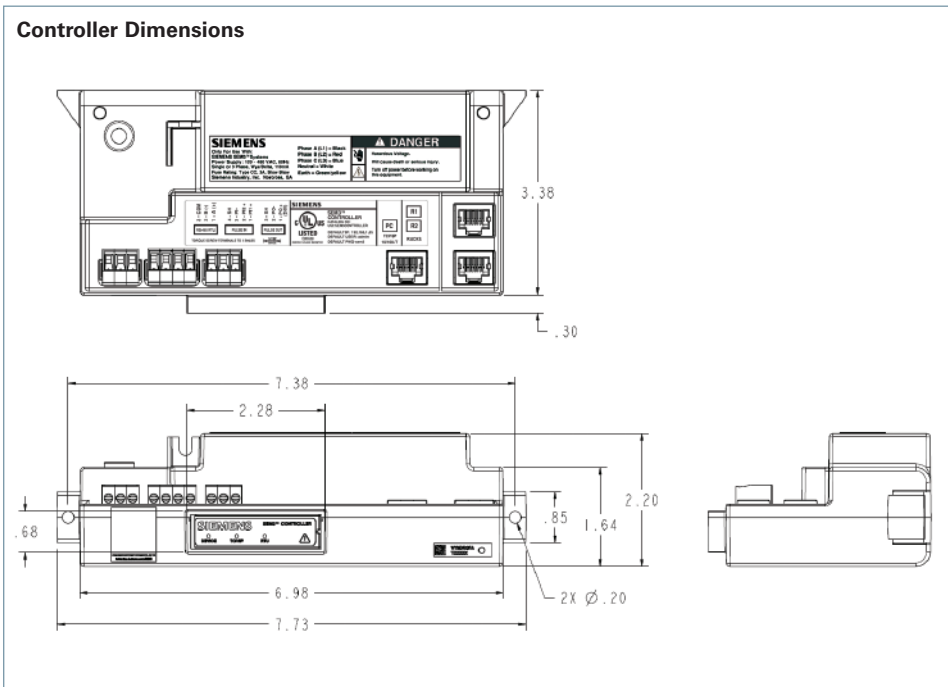
## Meter Rack (3, 9, 15, 21)



## Meter Rack (3, 9, 15, 21)

Catalogue Number	Description	Variable Dimensions (inches)		
		A	B	C
SEM3RACK3	3 position rack	1.900	3.570	2.282
SEM3RACK6	6 position rack	3.670	5.340	4.050
SEM3RACK9	9 position rack	5.440	7.070	5.822
SEM3RACK15	15 position rack	8.980	10.610	9.362
SEM3RACK21	21 position rack	12.520	14.150	12.902

## Controller Dimensions



## Controller

Catalogue no.
SEM3CONTROLLER

8

POWER  
MONITORING

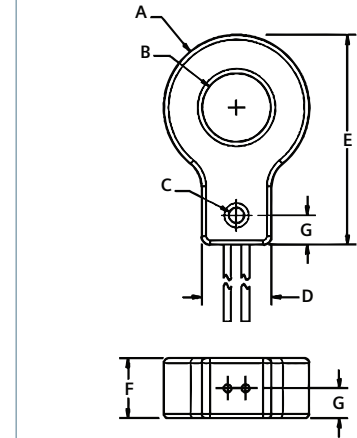
# Embedded Micro Metering Module™

*Selection*

## Current Transformer – Solid Core

Description	Catalogue Number	Dimensions (Inches)						
		A	B	C	D	E	F	G
Solid Core CT 50:0.1	SEM3SCCT50	1.40	0.38	0.20	0.92	2.12	0.74	0.37
Solid Core CT 125:0.1	SEM3SCCT125	1.40	0.66	0.20	0.92	2.16	0.74	0.37
Solid Core CT 250:0.1	SEM3SCCT250	1.90	0.93	0.20	0.92	2.75	0.78	0.39
Solid Core CT 400:0.1	SEM3SCCT400	2.62	1.60	0.20	0.92	3.62	0.78	0.39
Solid Core CT 600:0.1	SEM3SCCT600	3.74	2.30	0.24	0.92	4.66	0.78	0.39
Solid Core CT 800:0.1	SEM3SCCT800	4.05	2.60	0.24	0.92	5.05	0.98	0.49
Solid Core CT 1200:0.1	SEM3SCCT1200	4.56	2.80	0.24	0.92	5.57	0.98	0.49
Solid Core CT 1600:0.1	SEM3SCCT1600	6.00	4.25	0.28	1.07	7.15	1.05	0.50
Solid Core CT 2000:0.1	SEM3SCCT2000	6.00	4.25	0.28	1.07	7.15	1.05	0.50

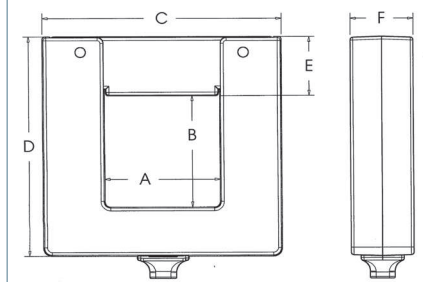
## Current Transformer – Solid Core



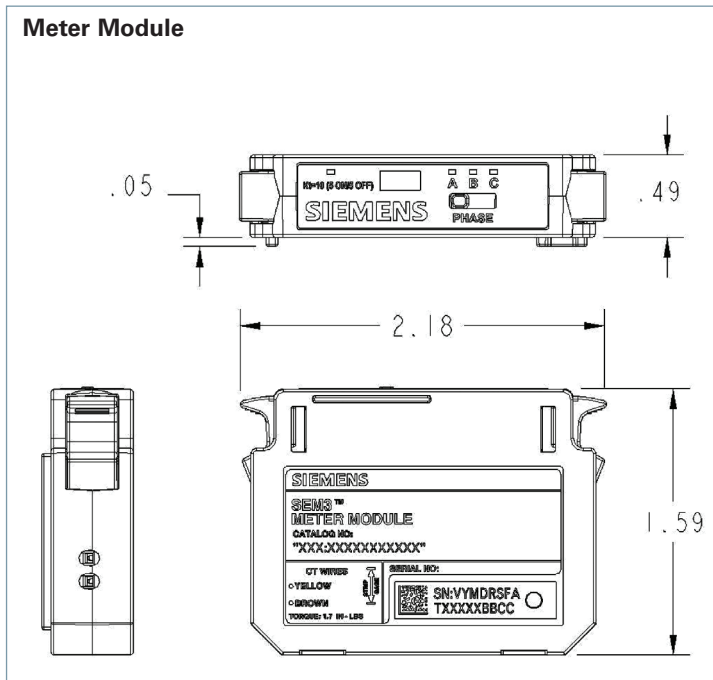
## Current Transformer – Split Core

Description	Catalogue Number	A	B	C	D	E	F
Split Core CT 50:0.1	7KT1280-5MA00	0.50	0.50	2.40	2.69	0.95	1.10
Split Core CT 125:0.1	7KT1280-5MA01	0.75	0.75	2.40	2.69	0.83	0.94
Split Core CT 250:0.1	7KT1280-5MA02	1.00	1.00	2.87	3.24	0.94	1.11
Split Core CT 400:0.1	7KT1280-5MA03	1.50	1.50	3.60	3.75	1.05	1.15
Split Core CT 600:0.1	7KT1280-5MA04	2.14	2.17	4.72	4.32	1.28	1.15
Split Core CT 800:0.1	7KT1280-5MA05	3.00	3.14	5.56	5.27	1.21	1.16
Split Core CT 1200:0.1	7KT1280-5MA06	3.27	3.02	6.48	5.69	1.73	1.48
Split Core CT 1600:0.1	7KT1280-5MA07	4.50	4.50	7.68	7.14	1.59	1.48
Split Core CT 2000:0.1	7KT1280-5MA08	4.50	4.50	7.68	7.14	1.59	1.48

## Current Transformer – Split Core



## Meter Module



## Meter Module

Description	Catalogue No.
Meter - Standard Accuracy 1% with Pulse Output	US2:SEM3PLAMETER
Meter - High Accuracy 0.2% with Pulse Output	US2:SEM3PHAMETER

# MD Series Power Meter

## MD BM and MD BMD Model Power Meters

Siemens MD BM and MD BMD Model Power Meters are sub metering devices designed to provide real time, accurate electricity metering to enable proper control over energy costs. The meter can capture kWh/kW energy and demand data, as well as virtually all relevant energy parameters for diagnostics and monitoring on three-phase or single-phase circuit installations. The meters' flexibility, size, and ease-of-use make them ideal tools for gathering detailed consumption information in commercial, industrial, governmental, and retail environments. The meters use direct connections to each phase of the voltage and various interchangeable current transformer (CT) options such as splitcore CTs or flexible Rogowski Coils (for large loads or large cables and bus bars) to monitor current on each phase. All of Siemens' current transformers are internally shunted for intrinsically safe operation on energized conductors.

The power meters make over 75 total electrical measurements which are derived from the voltage and current inputs. Electrical load diagnostic parameters such as power factor and line frequency are captured in addition to energy and demand values. The Siemens MD BM and MD BMD Power Meters require no external power and the power supplies can accommodate service voltages ranging from 80 to 600V (phase-to-phase). The simple installation is accomplished by connecting the colour-coded voltage leads and clearly labeled CTs. A three-LED indicator display confirms proper CT-to-phase installation. The meters automatically adjust for CT orientation—greatly reducing set-up time and all but eliminating installation errors.



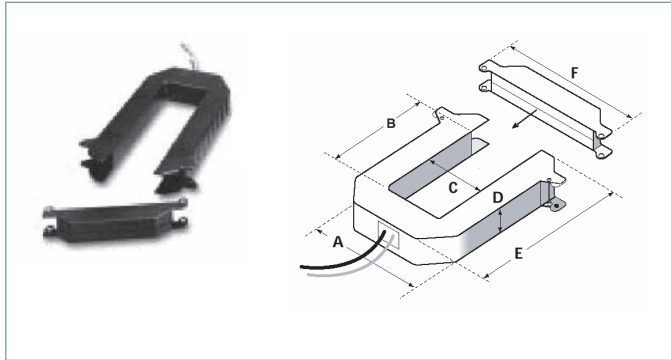
Product Description	Catalogue Number
MD Meter BACnet-Modbus	<b>MDBM</b>
MD Meter Modbus-BACnet IP	<b>MDBMIP</b>
MD Meter BACnet-Modbus w/display	<b>MDBMD</b>
MD Meter Modbus-BACnet IP w/display	<b>MDBMIPD</b>
Mini SplitCore 0.4 Opening 50A	<b>SCTHSC0050U</b>
Mini SplitCore 0.4 Opening 100A	<b>SCTHMC0100U</b>
Mini SplitCore 0.4 Opening 200A	<b>SCTHMC0200U</b>
Small SplitCore 0.75 Opening 50A	<b>SCTSCS0050U</b>
Small SplitCore 0.75 Opening 100A	<b>SCTSCS0100U</b>
Medium SplitCore 1.25 Opening 100A	<b>SCTSCM0100U</b>
Medium SplitCore 1.25 Opening 200A	<b>SCTSCM0200U</b>
Medium SplitCore 1.25 Opening 400A	<b>SCTSCM0400U</b>
Medium SplitCore 1.25 Opening 600A	<b>SCTSCM0600U</b>
Large SplitCore 2.00 Opening 600A	<b>SCTSCL0600U</b>
Large SplitCore 2.00 Opening 1000A	<b>SCTSCL1000U</b>
Rogowski Coil Current Transformer, 16" (40 cm); 4.5" (11.5 cm) opening; 4000A	<b>SCTR161310U</b>
Rogowski Coil Current Transformer, 24" (60 cm); 7.0" (18 cm) opening; 4000A	<b>SCTR241310U</b>
Rogowski Coil Current Transformer, 36" (90 cm); 10.8 (28 cm) opening; 4000A	<b>SCTR361310U</b>



# Low Voltage Current Transformers

Comprehensive metering grade CT offering split-core, flexible and solid core designs

## Split core – Rectangular Window



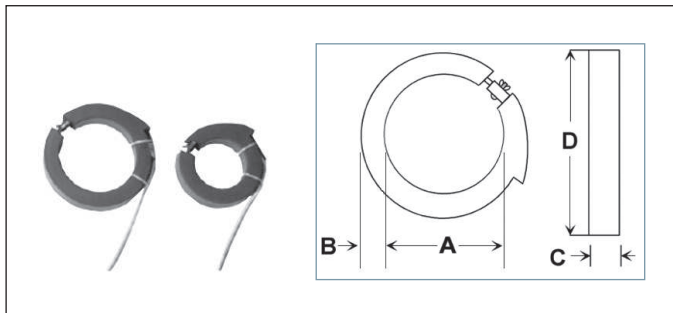
200A – 300A	400A – 800A	1000A – 1200A
A = 3.75" (95mm)	A = 4.90" (124mm)	A = 4.90" (124mm)
B = 1.51" (38mm)	B = 2.89" (73mm)	B = 5.50" (140mm)
C = 1.25" (32mm)	C = 2.45" (62mm)	C = 2.45" (62mm)
D = 1.13" (29mm)	D = 1.13" (29mm)	D = 1.13" (29mm)
E = 4.20" (107mm)	E = 5.57" (141mm)	E = 8.13" (207mm)
F = 4.75" (121mm)	F = 5.91" (150mm)	F = 5.92" (150mm)

Siemens Instrument Grade Current Transformers (CT) have a split-core construction and provide a safe 5A secondary output. These split-core current transformers allow for easy installation, retrofit, and service. CT's come with 4' leads (18 gauge). Use on low voltage applications of 600V or less.

**Accuracy 0.5%.**

Amps	Window (C x B)	Catalogue Number
100A	1.25"x1.15"	PDS-CTSC-011
200A	1.25"x1.51"	PDS-CTSC-021
300A	1.25"x1.51"	PDS-CTSC-031
400A	2.45"x2.89"	PDC-CTSC-042
600A	2.45"x2.89"	PDS-CTSC-062
800A	2.45"x2.89"	PDS-CTSC-083
1000A	2.45"x5.50"	PDS-CTSC-013
1200A	2.45"x5.50"	PDS-CTSC-123
1600A	2.45"x5.50"	PDS-CTSC-163
2000A	2.45"x5.50"	PDS-CTSC-200
3000A	2.75"x6.625"	PDS-CTSC-03R

## Split-core – Round Window



200A – 1200A	3000A – 4000A
A = 4.00"	A = 6.00"
B = 1.25"	B = 1.25"
C = 1.50"	C = 1.50"
D = 6.50"	D = 8.50"

Split-core round rubber insulated flexible CT's with 12' heavy duty leads (18 AWG) and 5A secondary output for use on low voltage applications of 600V.

**Accuracy is 4% for 200/400A, 3% for 400A, and 2% for 600A and above.**

Amps	Window (A)	Catalogue Number
200A	4.00"	PDS-CTHC-024
300A	4.00"	PDS-CTHC-034
400A	4.00"	PDC-CTHC-044
600A	4.00"	PDS-CTHC-064
800A	4.00"	PDS-CTHC-084
1200A	4.00"	PDS-CTSC-123
2000A	6.00"	PDS-CTHC-206
3000A	6.00"	PDS-CTHC-306
4000A	6.00"	PDS-CTHC-406

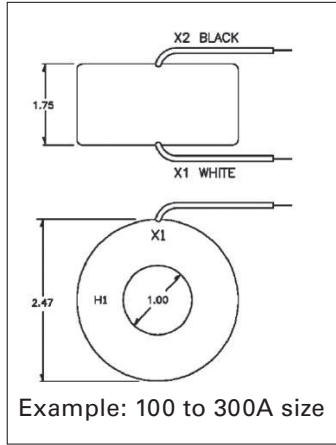
# Low Voltage Current Transformers

Comprehensive metering grade CT offering split-core, flexible and solid core designs

## Solid-core – Round with Round Window

The small size solid core Current Transformer (CT) are designed for tight locations and new installations providing a safe 5 amp secondary for use on voltage applications of 600V or less.

**Accuracy is 0.3%.**

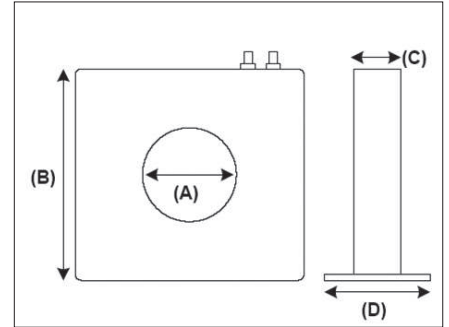


Solid core – Round metering grade, 600V		
Catalogue Number	Primary	Size
SMU-CT-011	100A	1.75" x 2.47"; 1" Window
SMU-CT-021	200A	1.75" x 2.47"; 1" Window
SMU-CT-025	250A	1.75" x 2.47"; 1" Window
SMU-CT-031	300A	1.75" x 2.47"; 1" Window
SMU-CT-041	400A	1.1" x 3.56"; 1.56" Window
SMU-CT-061	600A	1.1" x 3.56"; 1.56" Window
SMU-CT-081	800A	1.1" x 3.56"; 1.56" Window
SMU-CT-123	1000A	1.1" x 3.56"; 1.56" Window
SMU-CT-02R	2000A	1.15" x 5.73"; 3.25" Window

## Solid-core – Square with Round Window

Siemens Instrument Grade Current Transformers (CT) are designed as solid-core construction and provide a safe 5A secondary output. Solid-core CT's come with terminals for attaching leads. Use on low voltage applications of 600V or less.

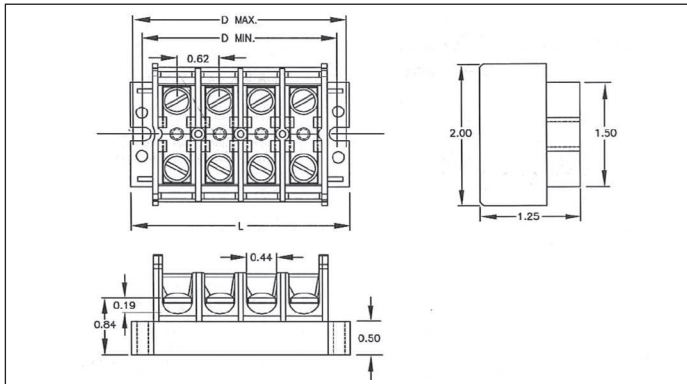
**Accuracy is 0.3%.**



Amps	Dimension (A x B x C x D)	Catalogue Number
200:5	1.25" x 4.88" x 2.19" x 4.68"	PDS-CTRC-021
300:5	1.25" x 4.88" x 2.19" x 4.68"	PDS-CTSC-031
400:5	1.25" x 4.88" x 2.19" x 4.68"	PDS-CTRC-041
500:5	1.25" x 5.10" x 3.00" x 5.50"	PDC-CTRC-051
600:5	1.25" x 5.10" x 3.00" x 5.50"	PDS-CTRC-061
800:5	1.25" x 5.10" x 3.00" x 5.50"	PDS-CTRC-081
1000:5	1.25" x 5.10" x 3.00" x 5.50"	PDS-CTRC-101
100:5	2.25" x 6.31" x 3.00" x 5.82"	PDS-CTRC-012
200:5	2.25" x 6.31" x 3.00" x 5.82"	PDS-CTRC-022
300:5	2.25" x 6.31" x 3.00" x 5.82"	PDS-CTRC-032
400:5	2.25" x 6.31" x 3.00" x 5.82"	PDS-CTRC-042
800:5	4.00" x 6.44" x 3.25" x 3.25"	PDS-CTRC-084
1000:5	4.00" x 6.44" x 3.25" x 3.25"	PDS-CTRC-104
1200:5	4.00" x 6.44" x 3.25" x 3.25"	PDS-CTRC-124
1600:5	4.00" x 6.44" x 3.25" x 3.25"	PDS-CTRC-164
2000:5	4.00" x 6.44" x 3.25" x 3.25"	PDS-CTRC-204
3200:5	6.50" x 9.88" x 7.00" x 7.00"	PDS-CTRC-326
4000:5	6.50" x 9.88" x 7.00" x 7.00"	PDS-CTRC-426

## Shorting Block

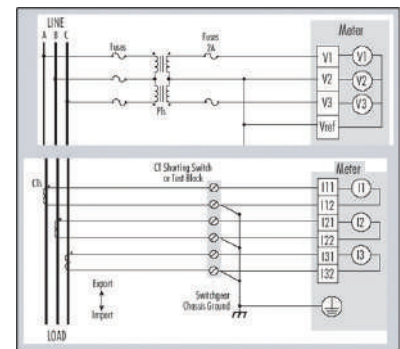
All low voltage current transformers should be installed with a shorting block to allow for easy removal of the metering unit and to provide a safe method for disconnecting the CT signal. One shorting block is required per meter. Various size shorting blocks are available; 4, 6, and 8 pole configurations are available with four slotted shorting screws and cover. Wire size is 18-10 AWG.



Catalogue Number	Ckts.	Mounting		
		L	D min.	D max.
IKU4SC	4	3.25	2.88	3.00
IKU6SC	6	4.50	4.12	4.25
IKU8SC	8	5.75	5.38	5.50
IKU12SC	12	8.25	7.88	8.00

## Typical electrical meter CT and shorting block installation

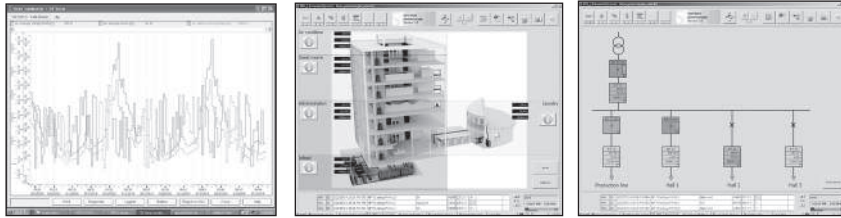
This example shows a common three phase, three wire installation where three CT's and one shorting block are used.





# Powermanager

**A power management system that can be customized to your needs. View and control your facilities' infrastructure condition from anywhere.**



## Cost allocation and Sub-billing Reports

Cost allocation and sub-billing functionality in the Powermanager software allows the user to track energy related costs by building, floor, tenant, feeder or location. Match virtually any fixed rate billing structure and use comprehensive multi-year scheduling and time-of-use features to manage the energy costs.

## Load Studies and Asset Management

Trend power usage data to take full advantage of your electrical distribution system capacity and avoid over-design. Create usage profiles that will allow you to distribute loads and avoid demand peak which helps to identify energy leaks such as equipment running during down time.

## Equipment Monitoring and Control

Powermanager allows you to meter all your utilities including gas, steam, air and water and set up general condition alarming and pre-event alarms for impending or imminent conditions. Interface with other energy management and SCADA systems through multiple communication channels and protocols like OPC.

## Reports

Standard reports provide models of daily electricity usage so you can distribute loads and avoid demand peaks. This enables you to allocate energy consumption and/or costs to individual areas and identify expensive processes that need attention. The historic trending report compiles data from load circuits over a users predefined period. This enables the user to fully utilize the power distribution system and run at near rated tolerances.

## Ordering information

Powermanager Software and Device License	Catalog Number
POWERMANAGER BASIC 10 DEVICES	3ZS27110CC300YA0
POWERMANAGER 10 DEVICES with Expert MODE	3ZS27118CC300YA0
POWERMANAGER 20 ADTNL.DEVICES	3ZS27110CC300YD0
POWERMANAGER 50 ADTNL.DEVICES	3ZS27120CC300YD0
POWERMANAGER 100 ADTNL.DEVICES	3ZS27130CC300YD0
POWERMANAGER 200 ADTNL.DEVICES	3ZS27140CC300YD0
POWERMANAGER 500 ADTNL.DEVICES	3ZS27150CC300YD0
POWERMANAGER 1000 ADTNL.DEVICES	3ZS27160CC300YD0
Powermanager Add Ons and Upgrades	Catalog Number
POWERMANAGER OPT PACKAGE EXPERT	3ZS27102CC200YH0
POWERMANAGER OPT PACKAGE CLIENT5	3ZS27103CC000YD0
POWERMANAGER OPT PACKAGE 2 x DISTRIBUTION SYS	3ZS27181CC000YH0
POWERMANAGER OPT PACKAGE 5 x DISTRIBUTION SYS	3ZS27182CC000YH0
POWERMANAGER OPT PACKAGE 10 x DISTRIBUTION SYS	3ZS27183CC000YH0

Contact Siemens for upgrade information

**SENTRON Powermanager** software, combined with Siemens power meters and low-voltage protective devices, provides a complete energy management solution for your business. It allows you to measure, process, analyze, store and share energy usage and status information across your entire enterprise. It offers control capabilities, comprehensive energy usage and reliability, and detailed reporting that will help you reduce energy related costs.

## Benefits

- Visibility and control of power flows
- Exact knowledge of the consumption profile
- Increase of energy efficiency
- Optimization of power supply contracts
- Compliance with contractual terms or regulations
- Allocation of costs to individual cost centers
- Optimization of plant maintenance
- Identification of critical systems conditions

## The Powermanager software:

- Is available in a stand-alone or LAN/WAN based configuration that can also exchange information with other supervisory systems like building automation software
- Can utilize any Ethernet or serial based connections
- Is expandable from the basic monitoring application to a fully customized enterprise management system
- Is fully scalable with regard to the connected devices and to the software's function to meet current and future needs
- Ensures the seamless integration of power monitoring devices from the Siemens SENTRON PAC Series Meter, SEM3, and SENTRON WL/VL/3VA circuit breakers as well as other Modbus communicating devices
- Is designed to collect, archive, monitor, display and evaluate any kind of energy related device data
- Provides web based reporting and detailed graphics construction utilities as standard

# WinPM.Net Enhanced Web-Enabled Energy Management Software



WinPM.Net is a complete energy information management solution for your business allowing you to process, analyze, store and share energy usage and power quality data across your entire enterprise. It offers control capabilities, comprehensive power quality and reliability analysis and can help you reduce energy-related costs. WinPM.net allows you to manage intelligent metering and protective devices, analyze data, and decide on new courses of action to help you save money and keep your business up and running.

Its cutting-edge flexibility and compatibility means you can add one piece at a time, at your own pace, while still maintaining your original investments. Interface to your existing systems through industry-standard protocols and choose newer components as they become available.

## The WinPM.Net software:

- Provides detailed analysis of the power quality and overlays waveforms to correlate phase-to-phase relationships between voltages and currents and cascading failures
- Pinpoints the sources of transients, harmonics, or sags, whether external or internal to your facility, allowing you to decide on the right corrective actions. By monitoring circuits 24 hours a day, you can develop strategies to avoid interruptions
- Provides a comprehensive graphics utility as standard to build and edit any graphical screen whether it is a standard screen or a customized one. These custom screens can display real-time and historical data, alarms, status indications, meter, relay and third party equipment information
- Supports Modbus RTU, Modbus TCP, ION, XML, OPC, FTP, and PQDIF compliant systems, so you can unify your diverse operations into one system. Interface to other energy management software, or include transducers, PLCs, and RTUs in a WinPM.net network. OPC can extract values from other software databases then combine these values with up-to-date readings from WinPM.net to perform real time calculations
- Offers easy, cost effective and fast system expansion. The system grows as your needs grow. Add one piece at a time, at your own pace, within your own budget

## Cost allocation and sub-billing

Track energy-related costs by building, feeder, or tool. Match virtually any billing structure and use comprehensive multi-year scheduling and time-of-use activity profiles.

## Load studies and asset management

Trend power usage data to take full advantage of your electrical distribution system capacity and avoid over-design. Create usage profiles so you can distribute loads and avoid demand peak.

## Demand and power factor control

Eliminate penalties through automated power factor correction, load shedding, or peak shaving.

## Equipment monitoring and control

Meter all your utilities including gas, steam, air and water. Set up alarms for pending problems, pre-alarm on impending or imminent conditions. Interface with other energy management and SCADA systems through multiple communication channels and protocols.

## Ordering information

Software	Catalog Number
WinPM.NET V8.0 DVD New (Includes 5 meter device licenses, 1 Eng Client, 2 Web Clients, New! Dashboards & PQDIF)	3ZS67100CC800BA0
WinPM.NET V8.0 DVD Replacement	3ZS67100CC800BC0
<b>Device License</b>	
WinPM.Net V8.0 9xxx Meter Device License Limit 6 to 50	3ZS68120CC800BA2
WinPM.Net V8.0 9xxx Meter Device License Limit 51 to 100	3ZS68130CC800BA2
WinPM.Net V8.0 9xxx Meter Device License Limit 101 to 1000	3ZS68140CC800BA2
WinPM.Net V8.0 3rd Party device/Modbus/SeaBus Dev. Lic. Limit 1 to 50	3ZS68220CC800BA2
WinPM.Net V8.0 3rd Party device/Modbus/SeaBus Dev. Lic. Limit 51 to 100	3ZS68230CC800BA2
WinPM.Net V8.0 3rd Party device/Modbus/SeaBus Dev. Lic. Limit 101 to 1000	3ZS68240CC800BA2
<b>Options</b>	
WinPM.Net V8.0 Engineering Client License Limit 1 to 50	3ZS67220CC800BA2
WinPM.Net V8.0 Engineering Client License Limit 51 to 100	3ZS67230CC800BA2
WinPM.Net V8.0 Web Client License	3ZS67420CC800BA2
WinPM.Net V8.0 OPC Server License	3ZS67520CC800BA2
WinPM.NetSQL Server 2017 – 2 CORE License increment (** Minimum of 4 cores per server is required (2 x 3ZS67317CC800BA0)	3ZS67317CC800BA0
<b>Software upgrade</b>	
Contact your local SIEMENS DSS Business Developer for ordering information and upgrade. Allows remote configuration of base WinPM.Net software. Excel is required for excel base reports using Reporter. Outlook is required for e-mailing reports.	

# Application Engineering



## Application Engineering capabilities

### Provides:

- Power Quality Reliability & Analysis
- Utilities Cost Allocation & Billing
- Utilities Usage Aggregation
- Load Preservation
- Equipment Monitoring
- Facility Monitoring & Automation
- Sequence of Event Recording
- Preventative Maintenance
- Electrical Asset Management

The Siemens Power Distribution Solutions Application Engineering team provide the required experience and knowledge to implement any system regardless of the size or complexity. Siemens Application Engineers are highly skilled professionals who understand how to combine the best PMC software and hardware to create solutions that exceed our customer's expectations.

### Key Market Expertise:

- Commercial Construction:
  - New / Retrofit
  - Tenant / Sub Billing
- Critical Power:
  - Data Centers
  - Hospitals
  - JCAHO
- Government:
  - Local, Provincial & Federal Government EPACT projects
  - Universities
  - Airports
- Industrial Applications:
  - Petro - Chem., Cement, Food & Beverage, Waste water, Automotive

### PDS Custom Solutions:

- LAN – WAN based solutions using our WinPM.Net web-based software
- Custom power metering logic
- Custom billing, energy usage or load profile reports
- Integration of other utilities like gas, water, steam, air and more
- Custom interactive one-line, elevation or floor plan graphics
- Third party hardware and software Integration
- Extensive alarm configuration and implementation
- Custom data logging and data retrieval.
- Siemens or others plant factory witness testing
- On-site and remote hands-on system training
- Overall PMC project management

### Application Engineers Capabilities:

- Communication network topology approval drawings
- Project management plan for the PMC system
- Interface to Siemens APOGEE building management system
- Power monitoring workstations and server configuration
- Final as-built operation and maintenance manuals
- Integrate with Siemens medium-voltage, low-voltage Switchgear & motor control centres
- Integration with Siemens Industrial Automation components & Software WinCC / PCS 7
- System communication troubleshooting
- Site Acceptance Test procedure (SAT), Method of Procedures (MOP), Factory Acceptance Test Procedure (FAT)
- On-site startup & commissioning

### Reliable Power Quality

Whether you are designing a fault tolerant mission critical infrastructure or you want to intelligently balance workloads to optimize energy usage and control costs, you need a reliable and industry proven monitoring solution. You will gain a visible look into the actual power consumption to understand the average and peak power utilization, monitor and manage UPS's and power distribution units, or even a complete IT support infrastructure, including generators, environmental systems and detection devices, as well as other components from multiple vendors. A Siemens designed solution using WinPM.Net or Powermanager, coupled with high quality Siemens meters will result in a powerful tool, helping to analyze, identify and correct power issues before they become critical. Instant notification by email or alarm when power quality issues such as sag/swell or voltage disturbance occur.

### Flexible

Easily integrate with any vendor's equipment using standard communication protocols to combine critical alerts and real-time data. Monitor and manage critical power devices from a single uninterruptible power system (UPS), an enterprise-wide network of many UPS's and power distribution devices, or a complete IT support infrastructure, including generators, environmental systems and detection devices, and other components from multiple vendors.

### Informative

Siemens Power Distribution and Solutions provide an energy monitoring solution that can provide you with the reports and the data you need for your operation. Complete power analysis from the incoming utility power to individual branch circuits.



# Services



## Advantages to You...

- Technical experts
- Single source supplier
- Available 24/7, 365 days a year
- Reduced total cost of ownership (TCO)
- Avoid unscheduled downtime with preventive maintenance

## SIEPRO Service Products

Modular SIEPRO service products enable you to customize a technical service agreement to meet your organization's maintenance needs over the entire life cycle of your installation. Including SIEPRO products in your TSA will provide the following benefits:

- Substantial savings versus "on demand" purchases
- Optimized scaling of your maintenance organization
- Assurance that your installation is operating at maximum performance and availability

### Telephone and Internet

Priority support

When you need help right now, choose the support coverage that fits your business:

- 24 hours x 7 days a week
- 8 hours x 5 days a week

### Extended support

With extended support, you can request blocks of support hours for specific projects and tasks. We can customize this support service to meet your individual needs.

### Remote service

Remote service provides support and diagnostics via data line to save you time and money. Technical support specialists directly access your system for real-time troubleshooting to provide maximum uptime.

### Technical account liaison

A technical account liaison provides consulting and guidance on all aspects of support through familiarity with the application, your business goals and processes, and your maintenance and engineering staff.

In addition to a site visit to assess your installation and support requirements, the technical account liaison will conduct monthly reviews with your staff to ensure you are receiving maximum payback on your investment.

### Field services

Block of hours

Purchase field service hours in 40 hour increments for preventative, predictive or emergency services.

### Embedded engineer

Full-time, on-site support from a certified Siemens professional.

### Emergency support

Purchase emergency service hours in 40 hour increments to ensure the fastest possible response time.

### Maintenance programs

Packaged maintenance programs available for:

- System performance checks
- Run diagnostics
- Analyze power quality
- Visual inspections of key system components
- Database trim and backup

### Training

Operation and maintenance

Siemens training offers a broad range of educational services, providing quality and excellence to the automation industry. Targeted product and system training provides the student with practical, hands-on experience.

### Customized on-site training

On-site training is excellent for large groups or when individual, one-on-one instruction is needed. When the trainer visits your facility, product training will be conducted on your specific installation. Classroom lectures, and troubleshooting techniques specific to your installation are covered in detail during the training session.

### Software update service

The software update service enables you to take advantage of enhancements to the most current software versions. A site evaluation is conducted to determine necessary upgrade requirements prior to the Software Update Service.

# Notes

---

## Contents

### Siemens TPS3 family of hardwired Surge Protective Devices

(formally known as Surge/Lightning Arrestors and/or Transient Voltage Surge Suppressors –TVSS)

Family SPDs	9-2
SOLID Protection	9-3
TPS3 Integral SPDs	9-4
TPS3 03 (Surge Arrestor Replacement)	9-5
TPS3 09	9-5
TPS3 11	9-6
TPS3 12 and TPS3 L12 (10 mode)	9-7
TPS3 15 and TPS3 L15 (10 mode)	9-8
FirstSurge Residential SPDs	9-9 and 9-10

#### Integrally Mounted SPDs



##### Features

- Per Phase Surge Current Capacity ranging from 100 kA to 1000 kA
- Industry best VPRs
- $I_n = 20$  kA (most models)
- Standard 'Type 2' or optional 'Type 1' construction
- Ground Reference Monitoring (GRM) diagnostics

#### External or Wall Mounted SPDs



##### Features

- Per Phase Surge Current Capacity ranging from 50 kA to 1000 kA
- Industry best VPRs
- $I_n = 20$  kA (most models)
- Standard 'Type 2' or optional 'Type 1' construction
- Ground Reference Monitoring (GRM) diagnostics (excluding TPS3 03 & TPS3 09)

#### Residential SPDs



##### Features

- Per Phase Surge Current Capacity of 60kA, 100kA or 140kA
- Complete Service Protection for
  - Power
  - Telephone
  - CATV
- Ground Reference Monitoring (GRM) diagnostics

# SPD - Surge Protection Devices

## Siemens Surge Protection Innovations

### Introduction

In today's electronic world, home and business electrical systems just aren't complete unless they incorporate surge protection. Stopping Surges Before They Get Into these systems is best accomplished through the installation of appropriately sized hard-wired surge protective devices (SPDs) beginning at the incoming service followed by installations at other key surge entry points.

When Siemens first developed the Transient Protection System (TPS) family of surge protectors, we knew early on that hard-wired surge protectors needed fully coordinated safety controls. This led to the adoption of a number of SPD

industry safety control firsts including the patented Ceramgard and TranSafe circuitry, coordinated fusing and thermal cutouts, dielectric isolation, mechanical re-enforcing taping, etc... resulting in a design that ensures the highest possible electrical system surge protection and reliability.








Our next generation UL 1449 4th Edition and CSA 22.2 No. 269 TPS3 SPDs carry on this same legacy. Every TPS3 is infused with Siemens engineering safety and performance "know-how" culminating with surge protection having the highest degree of safety while delivering the industry's best performance ratings – some of

lowest Voltage Protection Ratings (VPRs), Type 1 or 2, and 20kA I-nominal ratings (for most models) with surge current ratings from 50 to 1000 kA.

Electrical disturbances will always occur, but they don't have to cause surge protectors to fail in an unsafe manner. Safer surge protection means uncompromised electrical system **protection, safety, and reliability.**

The following pages provide additional technical and ordering information concerning our TPS3 family of Surge Protective Devices (SPDs).

## Surge Protector Per Phase Surge Current Capacities

Wall Mounted Standard Mode						10 Mode SPDs		
Per Phase Surge Current	TPS3 03 	TPS3 09 	TPS3 11 	TPS3 12 	TPS3 15 	Per Phase Surge Current	TPS3L 12 	TPS3L 15 
50kA						150kA		
100kA						300kA		
150kA						450kA		
200kA						600kA		
250kA						900kA		
300kA								
400kA								
500kA								
600kA								
800kA								
1000kA								



# Surge Protection Devices (SPD)

## Recommending Surge Protection

### SOLID Protection

Either at home or in the work place, nearly every electrical load is electronic infused. With electrical infrastructure being the same as it was 50 years ago, today's modern equipment is more susceptible to surges originated from storms or distribution interactions. Places where lightning activity is minimal are now experiencing more electronic failures due to surges generated by the day to day operations of equipment like

washers and dryers, copiers, chillers, etc. In response to this susceptibility, code authorities have mandated emergency power distribution equipment must be protected by a listed SPD. The reasoning is based upon anecdotal understating that surge protected systems are more reliable. Supported by government studies, the most efficient way to protect electrical systems from surges is through the installation of

hardwired SPDs at key points throughout the distribution system. These locations can easily be remembered by memorizing the locations of the acronym found within the following phrase, "The best surge protected system is a SOLID one," where each letter of the word SOLID stand for the locations on the electrical system where SPDs should be installed.

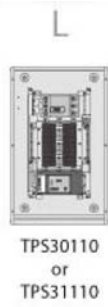
The illustration to the right shows "SOLID" locations for a school's electrical system. Under each 'SOLID' location is a Siemens TPS3 model number with surge current capacities matching those to what are typically specified by consultants across North America.



**Service  
Entrance**



**Outside loads  
like Parking  
Lot Lighting  
powered from  
distribution  
panels**




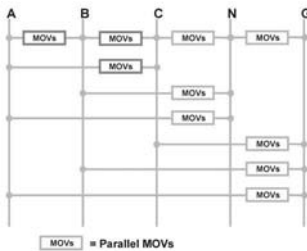
**Lower voltage  
distribution  
panels  
powering  
computers  
and other  
electronics**



**Individual  
critical  
equipment  
like servers**



**Data,  
telephone,  
and coaxial  
cables**

Surge Arrestor Replacement		Discrete, True, or L-L Enhanced 10 Mode Style SPDs	
 <p><b>TPS3 03 Type 1 SPD with <math>I_n = 20kA</math></b></p>	<p>When UL 1449 3rd edition went into effect in 2009, low voltage surge and lightning arrestors became obsolete. They were replaced with Type 1 SPDs having an I-nominal (<math>I_n</math>) rating equal to 20kA. Most all Siemens TPS3's are rated as Type 1, <math>I_n = 20kA</math> SPDs. However, the style and form factor of traditional surge arrestors is best replaced using our TPS3 03.</p>	 <p>MOVx = Parallel MOVs</p>	<p>For mission critical or high profile applications, a growing number of end users prefer the assurance discrete or true 10-mode SPDs provide.</p> <p>When surges traverse the electrical system via phase to phase conductors, standard SPDs indirectly protect via the line to neutral or line to ground modes of protection. Siemens integral or wall mounted "Discrete," "True," or L-L Enhanced 10-mode SPDs address L-L surges by incorporating directly connected line to line surge protection elements. This style of SPD provides the "Just in Case" assurance mission critical or high pro-file projects require.</p>

# SPD - Surge Protection Devices

## TPS3 Integrally or Internally Mounted SPDs

Siemens Integral TPS3 series surge protectors are UL 1449 4th Edition and CSA 22.2 No. 269 factory-installed SPDs mounted within our standard distribution equipment. Internally mounted SPDs maximize protection by keeping electrical connections as short as possible minimizing impedance losses. The results are some of the industry's best "installed" Voltage Protection Ratings. On top of this performance benefit, our integral SPDs share the following features:

- UL 1449 4th Edition, UL 1283
- UL Type 1 or 2 Listed
- CSA 22.2 No. 269.1 and .2
- 20kA  $I_n$  (most models)
- 200kA SCCR (most models)
- Ground Reference Monitoring diagnostics

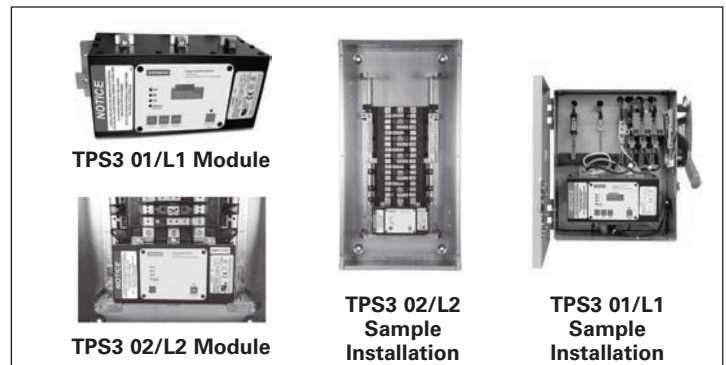
### TPS3 01 or 02 and TPS3 L1 or L2 ("True," "Discrete," or "L-L Enhanced" 10-Mode)

Siemens surge protects Revised P1 with our TPS3 02 or L2 or Original P1, P2, or P3 power distribution panelboards with our TPS3 01 or L1 integrally mounted surge protective devices. Also, the TPS3 01 or L1 is used to surge protect motor control centers and busway systems.

**Surge Current Capacity:**  
100kA to 300kA

See the following sections for ordering details:

Panelboards	10
Busway Systems	13
Motor Control Centres	14



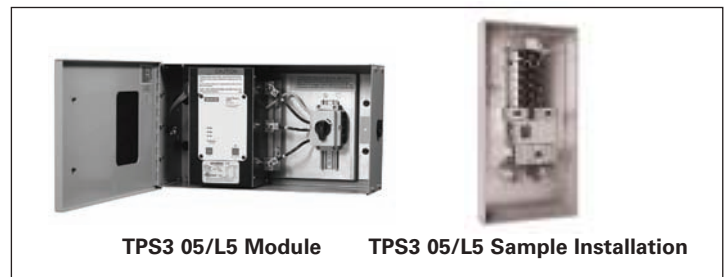
### TPS3 05 and TPS3 L5 ("True," "Discrete," or "L-L Enhanced" 10-Mode)

Siemens TPS3 05 and L5 surge protective devices are designed for integration within our S5 and F2 panelboards as well as the distribution section within switchboards.

**Surge Current Capacity:**  
100kA to 300kA

See the following sections for ordering details:

Panelboards	10
Switchboards	11



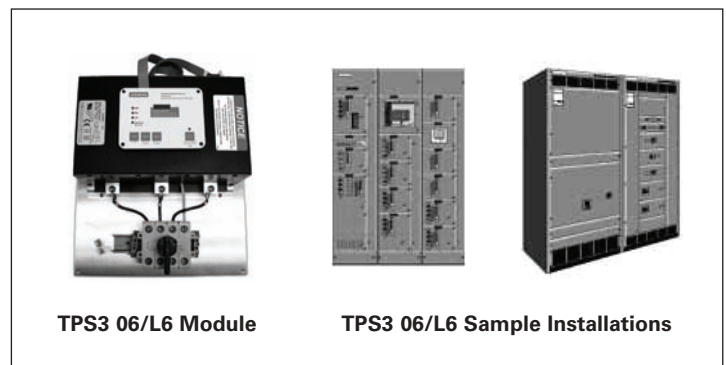
### TPS3 06 and TPS3 L6 ("True," "Discrete," or "L-L Enhanced" 10-Mode)

Siemens TPS3 06 and L6 surge protective devices are designed for integration within our FC1 and FC2 Switchboards, Type WL Low Voltage Switchgear, Motor Control Centres and Busway Systems

**Surge Current Capacity:**  
100kA to 500kA

See the following sections for ordering details:

Switchboards	11
Switchgear	12
Busway Systems	13
Motor Control Centres	14



Note: Wall mounted TPS3 12, TPS3 L12, TPS3 15, and TPS3 L15 can be configured for integral applications where Type 1 applications are required and for surge current capacity up to 1000 kA.

# SPD - Surge Protection Devices

## TPS3 External or Wall Mounted SPDs

### TPS3 03 and 03DC

TPS3 03 is a UL 1449 4<sup>th</sup> Edition and CSA 22.2 No. 269.1, 50kA, Type 1 compact Surge Protective Device (SPD) that can be used as a replacement for secondary surge or lightning arrestors. Our TPS3 03DC is designed to surge protect 300, 600, or 1000VDC photovoltaic and other DC based systems.

#### TPS3 03 and 03DC Key Features

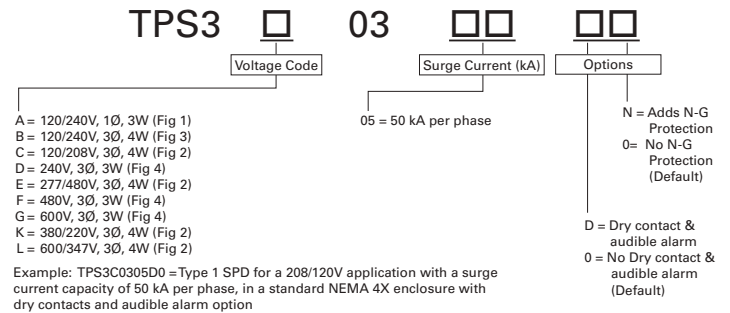
- UL 1449 4th Edition Listed and CSA 22.2 No. 269.1
- Type 1 Rated SPD
- 50kA Per Phase Surge Current
- 20kA  $I_n$  (Most models)
- 200kA SCCR (Most models)
- Every MOV is monitored
- Mounting – chase nipple, bracket, or DIN RAIL
- Standard compact NEMA 4X polycarbonate enclosure
- Modes of Protection: L-N or L-G and L-L, and Optional N-G
- Modes of Protection DC: DC+ - DC-, DC+ - GND, DC- - GND
- Standard Monitoring: LED Indicator
- Dimensions: 3.25" x 3.25" x 3.3" (82.6 mm x 82.6 mm x 83.8 mm)
- Weight: 2 lb. (0.9 kg)
- 5 Year Product Warranty

#### TPS3 03 Available Options:

- Dry contacts & Audible Alarm (option "D")
- Neutral to Ground Protection (option "N")



#### Ordering Information



When an option is not selected, include a zero (0) in the field

Available Accessories: Ordered Separately  
 RMSIE = Remote monitor

Note: Figures shown on page 9-6

### TPS3 09

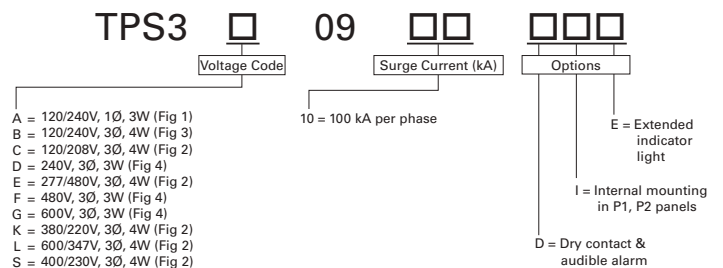
TPS3 09 is a UL 1449 4<sup>th</sup> Edition and CSA 22.2 No. 269.1, 100kA, Type 1 compact multi-mode Surge Protective Device (SPD) that can be installed on either the line or load side of the electrical service.

#### TPS3 09 Key Features

- UL 1449 4th Edition Listed and CSA 22.2 No. 269.1
- Type 1 Rated SPD
- 100kA Per Phase Surge Current
- 20kA  $I_n$  (Most models)
- 200kA SCCR (Most models)
- Every MOV is monitored, including N-G
- Mounting: chase nipple or wall mounted
- Standard compact NEMA 4X polycarbonate enclosure
- Modes of Protection: L-N, L-G, N-G, and L-L
- Standard Monitoring: LED Indicators
- Dimensions: 8" x 3" x 3" (203 mm x 76 mm x 76 mm)
- Weight: 3 lb. (1.4 kg)
- 10 Year Product Warranty

#### Available Options:

- Dry contacts & audible alarm (option "D")
- Extended indicator light (option "E")
- Internal mounting in P1, P2 Panels (option "I"), requires TPS9IKITP1 or TPS9IKITP2 mounting bracket accessory.



Example: TPS3C0910D00 = Type 1 SPD for a 208/120V panelboard with a surge current capacity of 100 kA per phase with standard NEMA 4X enclosure, dry contacts and audible alarm option.

Available for field retrofit in P1 panels

When an option is not selected, include a zero (0) in the field

Available Accessories: Ordered Separately

- RMSIE = Remote monitor
- XMFMKIT = Flush mount plate
- TPS9IKITP1 = Mounting bracket for installation in P1 panels
- TPS9IKITP2 = Mounting bracket for installation in P2 panels (factory install only)

# SPD - Surge Protection Devices

## TPS3 External or Wall Mounted SPDs

### TPS3 11

TPS3 11 is a UL 1449 4th Edition listed and CSA 22.2 No. 269.1 or 269.2 multi-mode Type 1 or 2 surge protective device with a per phase surge current capacity that can be increased to 200kA. In addition, this unit provides UL 1283 listed (Type 2 Only) EMI/RFI or Sine Wave tracking filtering that will condition low energy L-N coupled noise.

Standard monitoring includes protection status indication LEDs. Complete protection is intact when the status indicators are illuminated. When protection is lost, the status indicator will extinguish and the red service light will illuminate. An audible alarm and dry contacts are available monitoring options.

A new diagnostic feature we've integrated within the TPS3 11 is Ground Reference Monitoring or (GRM) diagnostic indication circuit. Ground Reference Monitoring or (GRM) diagnostics monitors the health of the electrical system's neutral to ground bond. If voltage is seen across neutral and ground, the phase indicators will remain illuminated, while the red service light begins to flash alerting the end user that the electrical system grounding needs to be checked and serviced. This feature can be remotely monitored when the optional dry contacts are included. Siemens TPS3s are one of the first in the industry to offer this power quality safety and performance indication.

#### TPS3 11 Key Features

- UL 1449 4th Edition Listed and UL 1283 Recognized
- CSA 22.2 No. 269.2 (Default) or CSA 22.2 No. 269.1 (Type 1)
- Type 2 Rated SPD (Default), Type 1 construction available
- 100, 150, 200kA Per Phase Surge Current
- 20kA  $I_n$  (Most models)
- 200kA SCCR (Most models)
- Every MOV is monitored, including N-G
- Mounting – chase nipple or wall mounted
- Standard NEMA 4X polycarbonate enclosure (UL 746C (f1), UL 94-5VA)
- Modes of Protection: L-N, L-G, N-G, and L-L
- Standard Monitoring: LED Indicators and Ground Integrity

#### Monitoring Diagnostics

- Wire size: #8 AWG to #10 AWG
- Dimensions: 6" x 6" x 4" (152 mm x 152 mm x 102 mm)

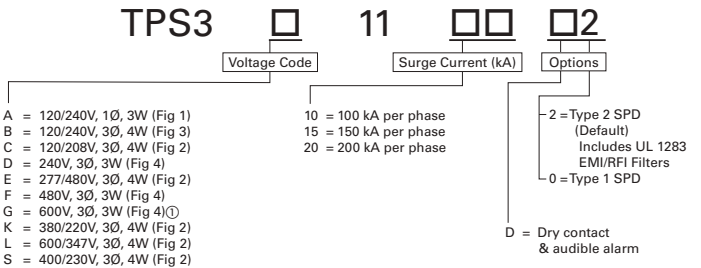
#### Available Options:

- Dry contacts & audible alarm (option "D")



TPS3 11

#### Ordering Information



Example: TPS3C110D2 = Type 2 SPD (Default) for a 208/120V application with a surge current capacity of 100 kA per phase, in a standard NEMA 4X enclosure with dry contacts and audible alarm option

Available Accessories: Ordered Separately  
 RMSIE - Remote monitor  
 KITFMXF = Flush mount plate

When option 'D' is NOT selected, include a zero (0) in the field.

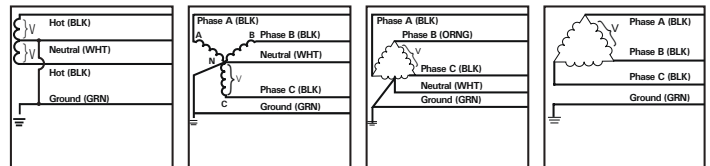


Figure 1

Split  
 2 Hots, 1 Neu, 1 Grnd

Figure 2

Wye  
 3 Hots, 1 Neu, 1 Grnd

Figure 3

Hi-Leg Delta (B High)  
 3 Hots, (B High),  
 1 Neu, 1 Grnd

Figure 4

Delta & HRG Wye  
 3 Hots, 1 Grnd

Ⓢ Available in 100 kA per phase only

# Surge Protection Devices (SPD)

## TPS3 External or Wall Mounted SPDs

### TPS3 12 and TPS3 L12 ("True," "Discrete," or "L-L Enhanced" 10-Mode)

TPS3 12 and TPS3 L12 are UL 1449 4<sup>th</sup> Edition listed and CSA 22.2 No. 269.1 or 269.2 replaceable module, multimode Type 1 or 2 (Default) surge protective device with a per phase surge current capacity that can be increased to 500kA (TPS3 L12 up to 450kA). For mission critical or high profile applications, the TPS3 L12 is our "True," "Discrete," or "L-L Enhanced" 10-mode style SPD providing the "Just in Case" assurance of directly connected L-L MOVs.

Both TPS3 12 and TPS3 L12 are also UL 1283 recognized incorporating EMI/RFI or Sine Wave tracking filtering designed to condition low energy L-N coupled noise.

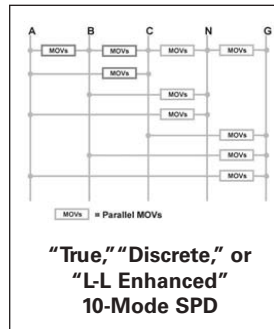
Standard monitoring includes protection status indication LEDs, audible alarm, dry contacts, and surge counter. Complete protection is intact when the status indicators are illuminated. When protection is lost, the status indicator will extinguish, the red service light will illuminate, and the dry contacts will change state. An optional surge counter is available as well.

A new diagnostic feature we've integrated within the TPS3 12 and TPS3 L12 is Ground Reference Monitoring or (GRM) diagnostic indication circuit. Ground Reference Monitoring or (GRM) diagnostics monitors the health of the electrical system's neutral to ground bond. If voltage is seen across neutral and ground, the phase indicators will remain illuminated, while the red service light begins to flash alerting the end user that the electrical system grounding needs to be checked and serviced. This feature can be remotely monitored via the dry contact outputs. Siemens TPS3s are one of the first in the industry to offer this power quality safety and performance indication.

#### TPS3 12 and TPS3 L12 Key Features

- UL 1449 4th Edition Listed and UL 1283 Recognized
- CSA 22.2 No. 269.2 (Default) or CSA 22.2 No. 269.1 (Type 1)
- Type 2 Rated SPD (Default), Type 1 construction available
- TPS3 12: 100 – 500kA Per Phase Surge Current
- TPS3 L12: 150, 300, 450kA Phase Surge Current
- 20kA  $I_n$  (Most models)
- 200kA SCCR (Most models)
- Every MOV is monitored, including N-G
- Mounting – chase nipple or wall mounted
- Standard NEMA 1/12/3R/04 ANSI 61 steel enclosure
- TPS3 12 Modes of Protection – L-N, L-G, N-G, and L-L
- TPS3 L12 Modes of Protection – L-N, L-G, N-G, and L-L (directly connected L-L TP MOVs)
- Standard Monitoring:
  - LED Indicators
  - Dry Contacts
  - Audible alarm with silence switch and test button
  - Surge Counter
  - Ground Reference Monitoring

① Available in 100 kA per phase only



### Ordering Information

**TPS3**  **12**    **X**

Voltage Code
Surge Current (kA)
Enclosure
Options

**A** = 120/240V, 1Ø, 3W (Fig 1)  
**B** = 120/240V, 3Ø, 4W (Fig 3)  
**C** = 120/208V, 3Ø, 4W (Fig 2)  
**D** = 240V, 3Ø, 3W (Fig 4)  
**E** = 277/480V, 3Ø, 4W (Fig 2)  
**F** = 480V, 3Ø, 3W (Fig 4)  
**G** = 600V, 3Ø, 3W (Fig 4)  
**K** = 380/220V, 3Ø, 4W (Fig 2)  
**L** = 600/347V, 3Ø, 4W (Fig 2)  
**S** = 400/230V, 3Ø, 4W (Fig 2)

**10** = 100 kA per phase  
**15** = 150 kA per phase  
**20** = 200 kA per phase  
**25** = 250 kA per phase  
**30** = 300 kA per phase  
**40** = 400 kA per phase  
**50** = 500 kA per phase

**2** = Type 2 SPD (Default) Includes UL 1283 EMI/RFI Filters  
**0** = Type 1 SPD  
**D** = Internal rotary disconnect  
**T** = Thru-door disconnect  
**X** = Surge counter (Standard)

**0** = Standard NEMA 1/12/3R/4 Steel  
**V** = NEMA 4X non-metallic  
**S** = NEMA 4X stainless steel  
**F** = NEMA 1 flush mount  
**P** = NEMA 1 screwcover pullbox with extended display on 6ft cable for line side mounting in SWBD/SWGR

Example: TPS3C12100XD2 = Type 2 SPD (Default) for a 208/120V application with a surge current capacity of 100kA per phase, in a standard NEMA 1/12/3R/4 enclosure with a surge counter and internal rotary disconnect option

When option "X", "T", or "D" are NOT selected, include a zero (0) in the field.

**Available Accessories: Ordered Separately**  
RMSIE - Remote monitor

**TPS3**  **L12**    **X**

Voltage Code
Surge Current (kA)
Enclosure
Options

**A** = 120/240V, 1Ø, 3W (Fig 1)  
**B** = 120/240V, 3Ø, 4W (Fig 3)  
**C** = 120/208V, 3Ø, 4W (Fig 2)  
**E** = 277/480V, 3Ø, 4W (Fig 2)  
**K** = 380/220V, 3Ø, 4W (Fig 2)  
**S** = 400/230V, 3Ø, 4W (Fig 2)

**15** = 150 kA per phase  
**30** = 300 kA per phase  
**45** = 450 kA per phase

**2** = Type 2 SPD (Default) Includes UL 1283 EMI/RFI Filters  
**0** = Type 1 SPD  
**D** = Internal rotary disconnect  
**T** = Thru-door disconnect  
**X** = Surge counter (Standard)

**0** = Standard NEMA 1/12/3R/4 Steel  
**V** = NEMA 4X non-metallic  
**S** = NEMA 4X stainless steel  
**F** = NEMA 1 flush mount  
**P** = NEMA 1 screwcover pullbox with extended display on 6ft cable for line side mounting in SWBD/SWGR①

Example: TPS3CL12150XD2 = 10 Mode, Type 2 SPD (Default) for a 208/120V application with a surge current capacity of 150kA per phase, in a standard NEMA 1/12/3R/4 enclosure with a surge counter and internal rotary disconnect option

When an option is not selected, include a zero (0) in the field

**Available Accessories: Ordered Separately**  
RMSIE - Remote monitor

- Wire size: #8 AWG to 1/0
- Dimensions: 12" x 12" x 7" (305 mm x 305 mm x 178 mm)\*
- Weight: 20 lb. (9.07 kg)\*
- 10 Year Product Warranty

\*Other NEMA rating may increase enclosure size and weight

#### Available Options

- Internal rotary disconnect
- Thru-door disconnect
- Type 2 or 1 Construction



# Surge Protection Devices (SPD)

## TPS3 External or Wall Mounted SPDs

### TPS3 15 and TPS3 L15 (“True,” “Discrete,” or “L-L Enhanced” 10-Mode)

TPS3 15 and TPS3 L15 are UL 1449 4th edition listed and CSA 22.2 No. 269.1 or 269.2 replaceable dual module, multimode Type 1 or 2 (Default) surge protective device with a per phase surge current capacity that can be increased to 1000kA (TPS3 L15 up to 900kA). For mission critical or high profile applications, the TPS3 L15 is our “True,” “Discrete,” or “L-L Enhanced” 10-mode style SPD providing the “Just in Case” assurance of directly connected L-L MOVs.

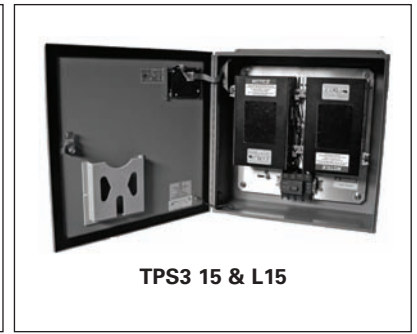
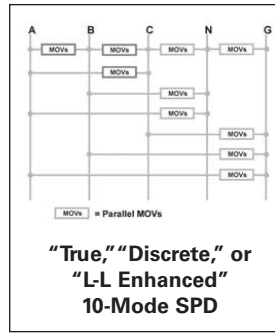
Both TPS3 15 and TPS3 L15 are UL 1283 recognized incorporating EMI/RFI or Sine Wave tracking filtering designed to condition low energy L-N coupled noise.

Standard monitoring includes protection status indication LEDs, audible alarm, dry contacts, and surge counter. Complete protection is intact when the status indicators are illuminated. When protection is lost, the status indicator will extinguish, the red service light will illuminate, and the dry contacts will change state. An optional surge counter is available as well.

A new diagnostic feature we’ve integrated within the TPS3 15 and TPS3 L15 is Ground Reference Monitoring or (GRM) diagnostic indication circuit. Ground Reference Monitoring or (GRM) diagnostics monitors the health of the electrical system’s neutral to ground bond. If voltage is seen across neutral and ground, the phase indicators will remain illuminated, while the red service light begins to flash alerting the end user that the electrical system grounding needs to be checked and serviced. This feature can be remotely monitored via the dry contact outputs. Siemens TPS3s are one of the first in the industry to offer this power quality safety and performance indication.

#### TPS3 15 and TPS3 L15 Key Features

- UL 1449 4th Edition Listed and UL 1283 Recognized
- CSA 22.2 No. 269.2 (Default) or CSA 22.2 No. 269.1 (Type 1)
- Type 2 Rated SPD (Default), Type 1 construction available
- TPS3 15: 400 – 1000kA Per Phase Surge Current
- TPS3 L15: 600 and 900kA Phase Surge Current
- 20kA  $I_n$  (Most models)
- 200kA SCCR (Most models)
- Every MOV is monitored, including N-G
- Mounting – chase nipple or wall mounted
- Standard NEMA 1/12/3R/04 ANSI 61 steel enclosure
- TPS3 15 Modes of Protection – L-N, L-G, N-G, and L-L
- TPS3 L15 Modes of Protection – L-N, L-G, N-G, and L-L (directly connected L-L TP MOVs)
- Internal rotary disconnect switch included
- Standard Monitoring:
  - LED Indicators
  - Dry Contacts
  - Audible alarm with silence switch and test button
  - Surge Counter
  - Ground Reference Monitoring



### Ordering Information

**TPS3** □ **15** □ □ □ **X** □ □

□ Voltage Code    □ Surge Current (kA)    □ Enclosure    □ Options

A = 120/240V, 1Ø, 3W (Fig 1)    40 = 400 kA per phase  
 B = 120/240V, 3Ø, 4W (Fig 3)    50 = 500 kA per phase  
 C = 120/208V, 3Ø, 4W (Fig 2)    60 = 600 kA per phase  
 D = 240V, 3Ø, 3W (Fig 4)    80 = 800 kA per phase  
 E = 277/480V, 3Ø, 4W (Fig 2)    1K = 1000 kA per phase  
 F = 480V, 3Ø, 3W (Fig 4)  
 G = 600V, 3Ø, 3W (Fig 4)  
 K = 380/220V, 3Ø, 4W (Fig 2)  
 L = 600/347V, 3Ø, 4W (Fig 2)  
 S = 400/230V, 3Ø, 4W (Fig 2)

□ = Standard NEMA 1/12/3R/4 Steel  
 V = NEMA 4X non-metallic  
 S = NEMA 4X stainless steel  
 F = NEMA 1 flush mount  
 P = NEMA 1 screwcover pullbox with extended display on 6ft cable for line side mounting in SWBD/SWGR

□ = Type 2 SPD (Default) Includes UL 1283 EMI/RFI Filters  
 □ = Type 1 SPD

T = Thru-door disconnect  
 X = Surge counter (Standard)

Example: TPS3C1560SX02 = Type 2 SPD (Default) for a 208/120V application with a surge current capacity of 600 kA per phase, in a NEMA 4X stainless steel enclosure with a surge counter and standard disconnect switch

When an option is not selected, include a zero (0) in the field

Available Accessories: Ordered Separately  
 RMSIE - Remote monitor

**TPS3** □ **L15** □ □ □ **X** □ □

□ Voltage Code    □ Surge Current (kA)    □ Enclosure    □ Options

A = 120/240V, 1Ø, 3W (Fig 1)    60 = 600 kA per phase  
 B = 120/240V, 3Ø, 4W (Fig 3)    90 = 900 kA per phase  
 C = 120/208V, 3Ø, 4W (Fig 2)  
 E = 277/480V, 3Ø, 4W (Fig 2)  
 K = 380/220V, 3Ø, 4W (Fig 2)  
 S = 400/230V, 3Ø, 4W (Fig 2)

□ = Standard NEMA 1/12/3R/4 Steel  
 V = NEMA 4X non-metallic  
 S = NEMA 4X stainless steel  
 F = NEMA 1 flush mount  
 P = NEMA 1 screwcover pullbox with extended display on 6ft cable for line side mounting in SWBD/SWGR

□ = Type 2 SPD (Default) Includes UL 1283 EMI/RFI Filters  
 □ = Type 1 SPD

T = Thru-door disconnect  
 X = Surge counter (Standard)

Example: TPS3CL15600X02 = 10 Mode, Type 2 SPD (Default) for a 208/120V application with a surge current capacity of 600 kA per phase, in a standard NEMA 1/12/3R/4 enclosure with a surge counter

When an option is not selected, include a zero (0) in the field

Available Accessories: Ordered Separately  
 RMSIE - Remote monitor

- Wire size: #8 AWG to 1/0
- Dimensions: 20" x 20" x 7" (508 mm x 508 mm x 178 mm)
- Weight: 64 lb. (29 kg)\*
- 10 Year Product Warranty

\*Other NEMA rating may increase enclosure size and weight

#### Available Options

- Thru-door disconnect
- Type 2 or 1 Construction

# Surge Protection Devices (SPD)

## Power Service Entrance Surge Protection

### FirstSurge™

#### Total Home Protection

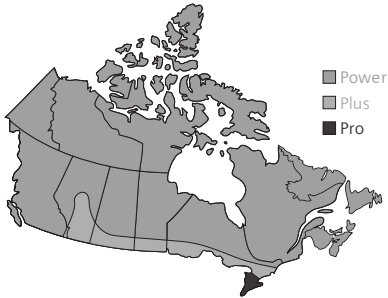
Siemens believes today's residential surge protectors come up short when protecting today's modern home filled with smart appliances and electronics.

This is why we developed our FirstSurge™ commercial class total home surge protectors. These electrical system surge protectors are sized for where you live. They will let you know when there is something wrong or when they are worn out.

Based upon thunderstorm frequency, geographic location, and home size, we developed a surge exposure map correlating with FirstSurge™ current capacities known to provide years of protective service for each shaded area.

#### Sized For Where You Live

Model	Surge Capacity
FirstSurge™ Power	(FS060) 60,000 A
FirstSurge™ Plus	(FS100) 100,000 A
FirstSurge™ Pro	(FS140) 140,000 A



#### Know You're Protected:

##### 3 Stage Commercial Grade Notification

When there is a problem, Siemens FirstSurge™ takes the guesswork out of knowing when it is time to be replaced. What will you see and hear when this occurs?

Audible Alarm: Beeps  
 Green LED(s): Extinguish  
 Red Service Light: Flashes

##### Ground Reference Monitoring (GRM)

FirstSurge™ is GRM-equipped notifying you a rare safety hazard exists due to a compromised electrical system neutral to ground bond. What will you see and hear when this occurs?

Audible Alarm: Beeps  
 Green LED(s): Remains Lit  
 Red Service Light: Flashes



#### Features & Benefits

- UL 1449 Listed, Type 2, Surge Protective Device (SPD)
- Rated for 120/240 split phase panels up to 400A
- Surge Current Capacities:
  - 60,000 A
  - 100,000 A
  - 140,000 A
- 3 Stage Commercial Grade Notification
- Ground Reference Monitoring (GRM)
- Installs onto any brand loadcentre
- Type 4 rated outdoor enclosure
- 10 year product and connected equipment warranty\*

#### Technical Specifications

Surge Spike Capacity	FirstSurge™ Power (FS060) 60,000 A FirstSurge™ Plus (FS100) 100,000 A FirstSurge™ Pro (FS140) 140,000 A
Line Voltage	120/240 Split Phase, 50/60 Hz
UL 1449 3rd Ed VPR	L-N: 600 V L-G: 600 V N-G: 600 V L-L: 900 V
Rated Voltage (MCOV)	150V – L-N, L-G, and N-G; 300V – L-L
Response Time	<1 nanosecond
Enclosure	NEMA 4X Indoor and Outdoor Rated
<b>Selection Information</b>	
FirstSurge™ Power	FS060
FirstSurge™ Plus	FS100
FirstSurge™ Pro	FS140
FirstSurge™ Flush Mount Kit	XMFMKIT

\*See warranty for details



# Surge Protection Devices (SPD)

## Telephone Service Entrance Surge Protection

Siemens FSPHONE is a 2 pair, hardwired surge protector for telephone, DSL or modem connected electronics in residential and light commercial applications. The FSPHONE protects against electrical power surges that can enter through the main telephone connection and is equipped with a failshort device to permanently ground the telephone line in the event of a power cross.

The FSPHONE is designed for indoor applications or can be mounted inside another weatherproof enclosure for outdoor mounting applications.

The FSPHONE4X consists of the FSPHONE plus a weatherproof enclosure to facilitate indoor or outdoor applications. The enclosure is molded of temperature and humidity resistant thermoplastic to resist cracking and discoloration. The cover can be secured with a tie wrap or similar locking device.

For total home protection please use FirstSurge™ to protect your incoming AC Power lines and FSPHONE to protect your incoming telephone line.

### Features & Benefits

- UL listed
- Hardwired Modem/Fax/DSL protection
- Easy to install
- Exceptionally fast response time
- Low insertion loss
- Available with or without enclosure
- 5-Year product warranty\*



Technical Specifications	
Catastrophic Surge Circuit	Yes
Spike Capacity	200 Amps
Let Through Voltage	<270 V
Overcurrent Protection	Yes
Response Time	<1 nanosecond
Enclosure	Yes
Agency Approvals & Warranty	
UL/cUL Listings	497C
Meets Telcordia (formerly Bellcore) GR-974-CORE Requirements for Telecommunications Line Protectors	Yes
Product Warranty	FS140
Catalogue Number	
FSPHONE	2 pair protection module
FSPHONE4X	2 pair protection module & 1 Weatherproof Enclosure

UL Model No. - SATH2

## Coaxial Service Entrance Surge Protection

Siemens FSCATV shields coaxial connected electronics in residential and light commercial applications against electrical transient damage, including lightning, from entering through the main cable connection.

FSCATV includes a section of coaxial cable with female to female splice for line side application. The Siemens warranty covers product defects for 5 years. To have complete protection for your equipment, home, or business, it is important to protect AC power lines and all data lines the equipment is connected through.

### Features & Benefits

- UL Listed
- Rated for CATV, DSS, TV, VCR, and Cable Modem
- Easy to install
- Standard Female to Female F connector
- Low insertion loss
- Automatic recovery
- 5 Year product warranty\*

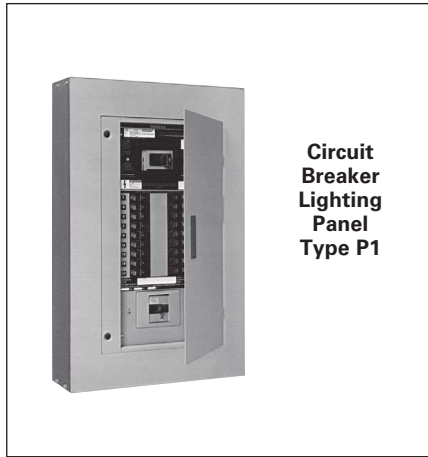


Technical Specifications	
Frequency Range	DC thru 1.5 GHz
Catastrophic Surge Circuit	Yes
Spike Capacity	5000 Amps, 8/20 μSec
Impedance	75 Ohms
Overcurrent Protection	Yes
Return Loss	30dB @ 1 GHz
Insertion Loss	<0.1dB
Agency Approvals & Warranty	
UL/cUL Listings	497C
Meets IEEE C62.41.1 Requirements	Yes
Product Warranty	FS140
Catalogue Number	
FSCATV	F-Type Inline Coax Protector

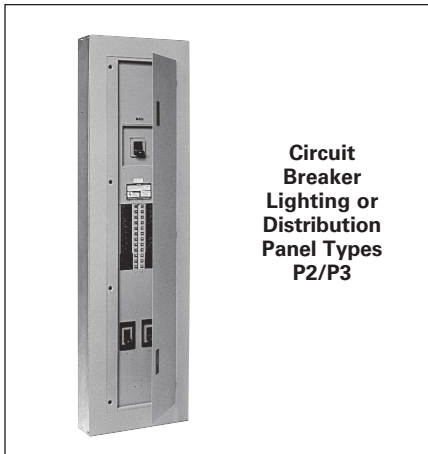
UL Model No. - Surgeassure™ SAVFFF

\*See warranty for details

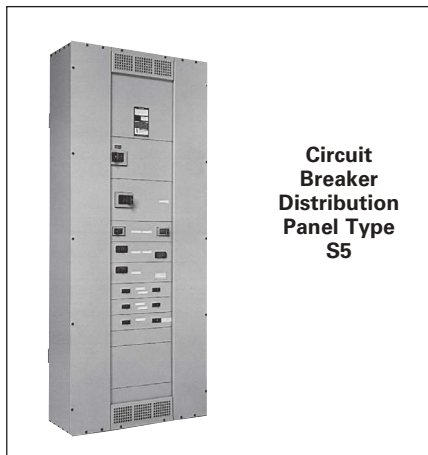
## POWER PRODUCT Panelboards



**Circuit  
Breaker  
Lighting  
Panel  
Type P1**



**Circuit  
Breaker  
Lighting or  
Distribution  
Panel Types  
P2/P3**



**Circuit  
Breaker  
Distribution  
Panel Type  
S5**

### Contents

<b>Features, Reference Guide &amp; General Specifications</b>	10-2 – 10-9
<b>Distributor Stock - Type P1 Panelboards</b>	10-10 – 10-11
<b>Warehouse Stock/Unassembled – Type P1 Panelboards</b>	10-12 – 10-14
<b>Panelboard Replacement, Modification, and Additions</b>	10-15
<b>Factory Assembled Panelboard Coding System</b>	10-16
<b>Type P1</b>	
Specifications	10-17
Main Breaker	10-18
Main Lug and Branch Circuit Breakers	10-19
Kits and Accessories	10-20 – 10-21
Panel Options & Modifications	10-22 – 10-23
Enclosure Dimensions	10-24
<b>Type P2</b>	
Specifications	10-25
Distributor Stock/Unassembled - Type P2 Main Lug Only	10-26 – 10-27
Main Breaker and Subfeed Breakers	10-28 – 10-30
Branch Breakers	10-31
Modifications and Additions	10-32
SEM3 Embedded Micro Metering Module	10-33 – 10-34
Standard Modifications and Additions	10-35
Enclosure Modifications	10-36
Kits and Accessories	10-37
Enclosure Dimensions	10-38
<b>Type P3</b>	
Specifications	10-39
Enclosure Selection/ Dimensions	10-40
Alternate Main, Branch and Subfeed Breakers	10-41 – 10-42
Modifications and Additions	10-43 – 10-45
Kits and Accessories	10-46
Enclosure Dimensions	10-47
<b>Lighting Panel Filler Plates</b>	10-48 – 10-49
<b>Lighting Panel Kits</b>	10-50 – 10-51
<b>B74FLR Enclosures &amp; Related Bottom Covers</b>	10-52 – 10-53
<b>Type S5</b>	
Specifications	10-54
Main Lug and Main Breaker Selection	10-55
Branch Breakers	10-56
Modifications and Additions	10-57
Modifications, Additions, Replacements for Circuit Breakers	10-58
<b>Type F2</b>	
Specifications and Fuse Types	10-59
Main Lug and Main Fusible	10-60
Modifications and Additions	10-61
Modifications, Additions, Replacements for Fusible Switches	10-62
SEM3 Embedded Micro Metering Module	10-63
Panel Skirt/System Types, AC & DC Voltages	10-64
<b>Type HCP Switchboard Units</b>	
Selection and accessories	10-65
Dimensions	10-66
<b>Type C1/C2</b>	
Specifications	10-67
Main, Branch and Subfeed Breakers	10-68
Circuit Breaker / Column Type, Modifications and Additions	10-69
Conduit Enclosing Shield (Panel Skirts)	10-70
Enclosure/System Types, AC & DC Voltages	10-71
Dimensions and Panelboard Configurations	10-72 – 10-73
Fuse Curves	10-74

# Panelboards

## Introduction

*General*

This generation of panelboards from Siemens offers the high level of engineering and innovation you've come to expect from the leader in power distribution technology. The "P Series" line of panelboards offers a stepped approach to power distribution.

Additional strength has been added to an already rugged and durable panelboard family. Engineered specifically to provide maximum flexibility, the new designs simplify wiring and reduce material requirements making them easier to install and less costly than competitive products. At the heart of the product line is the extensive research and technology found among Siemens circuit protection devices – both fusible switches and molded case circuit breakers.

The line is anchored by the innovative P1. Featuring the industry's most flexible designs, the P1 virtually eliminates common errors, such as feed direction, and main lug versus main breaker. Increasing distribution is simplified by the ability to add feed-thru lugs. The Next Gen P1 design introduced in June 2015 has added Extended Circuits up to 66 and has available smaller Enclosures with no Subfeed option for added flexibility.

Subsequent steps in the P Series offer increased capacity and more design options:

- The highly flexible P2 provides options to fit the most demanding specifications.
- Sized more like a lighting panel, the P3 packs the power of a distribution panel in a space-saving, highly flexible design.

- The powerful S5 and F2 are distribution power panels that allow circuit breakers as branch and main devices.

Siemens also offers a number of specialty panels, like column panels, SEM3 (Embedded Micro Metering Module™) and others. Don't see a panel to meet your requirements? Ask your Siemens representative about our custom capabilities.

### Features Overview

P Series lighting panel features include Fas-Latch trim, which is popular among installers; the jacking screw system, that permits adjustments even after wiring has been installed; our exclusive split neutral, and more. Many panelboards have the capability of mixing and matching breakers of different sizes and ratings – or changing from main lug to main breaker, or adding subfeed breakers without changing the box size. Other models accept a wide range of fuse types, including Siemens exclusive Vacu-Break® technology.

### Key Panelboard Features

	P1	P2	P3	S5	F2
Lighting And Appliance Applications	●	●	●	●	●
Power Panelboard Applications	—	●	●	●	●
Convertible From Top Feed To Bottom Feed Or Vice Versa	●	—	—	—	—
Change From Main Lug To Main Breaker Or Add Subfeed Without Changing Enclosure Size <sup>®</sup>	●	—	—	—	—
Space-Saving, Horizontally Mounted Main Breaker	Up To 250 Amps	Up To 250 Amps	—	●	●
Short-Circuit Rating Label Giving Performance Level	●	●	●	●	●
Standard Aluminum Ground Assembly	●	●	●	●	●
Blank End-Walls Standard <sup>®</sup>	●	●	●	●	●
Bolted Current-Carrying Parts	●	●	●	●	●
Split Neutral	●	—	●	●	●
Connection Accessible From Front	●	●	●	●	●
Screw-Type Mechanical Lugs	●	●	●	●	●
Time-Reducing Wing Nuts To Secure Interior Without Tools	●	●	●	●	●
Main and Branch Devices Connected With Case-Hardened Hardware	●	●	●	●	●
Flush Lock, Concealed Door Hinges/Trim Screws	●	●	●	—	—
Symmetrical Interior Mounting Studs To Eliminate Upside-Down Mounting of Box	●	●	●	●	●
Interior Height Adjustment For Flush Applications	●	●	●	—	—
Shallow Depth	5.75"	5.75"	7.75"	12.75"	12.75"
Accepts A Wide Range Of Fuse Types	—	—	—	—	●
Accepts Vacu-Break Fusible Switch	—	—	—	—	●
Accepts A Wide Range Of Circuit Breakers	●	●	●	●	●
Optional Compression Lugs	●	●	●	●	●

● Standard

® KO's available on P1 and P2 – 5.75" Deep x 20" Wide boxes and P3 7.75" deep X 24" wide boxes.

® For Next Gen P1, only when Subfeed Space is selected, Interior Part Number ends with "T". When "N" is at end there is no Subfeed Space available

# Panelboards

## General Specifications

General

### Service Entrance Equipment

When a panelboard is used as service entrance equipment, it must be located as close as practicable to the point of entrance of building supply conductors. Panelboards must be identified as "Service Entrance" at the time of order entry in order to be supplied with the appropriate CSA certification and labelling. Panels must include a connector for bonding and grounding neutral conductor. Please consult CSA, CEC and local inspection authorities for specification and installation guidelines.

### Integrated Equipment Short Circuit Rating

The term "Integrated Equipment Short Circuit Rating" refers to the application of series connected circuit breakers in a combination that allows some breakers to have lower individual interrupting ratings than the available fault current. This is permitted as long as the series combination has been tested and certified by CSA. "Series Rated" must be identified at the time of order entry.

### Standards

CSA: C22.2 No.29. Certified under files # 93833  
UL: 67 and 50. Listed by Underwriter's Laboratories, Inc., under "Panelboards" File #E2269 and #E4016.  
NEMA: PB1.1

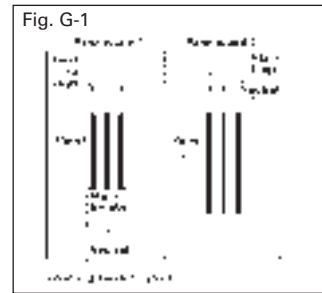
### Wire Connectors

Standard wire connectors in Siemens panels are suitable for copper or aluminum cables rated 60/75 degree. Copper main lugs are a price-added option for most panel types and some Circuit Breakers (check with Siemens sales for availability). It should be noted that most copper lugs will only accept copper cables. Some applications, 100% rated devices in particular, require that the cable and connectors be rated 90 degree but are sized to the 75 degree tables.

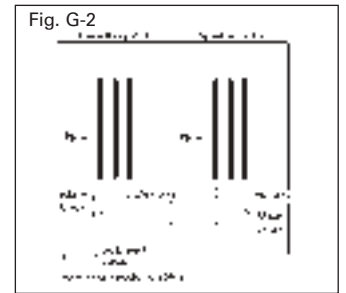
Standard ground connectors are also suitable for copper or aluminum wire. Ground connector assemblies (EGK, IKG) have (7) 1/0 max. and (15) #6 max. connections. The 1/0 holes are capable of connecting up (3) #10 max. wires. Copper ground assemblies (ECGK, ICGK) are rated for copper wire only and have the same wiring capacity as the Al/Cu connectors.

Standard neutrals, like standard main lugs, are also rated for copper or aluminum wire. The neutral cross bar material follows the selection bus. Copper neutral lugs are rated for copper cable only and available as a price added option.

### Lug Data Feed-Thru Lugs



### Subfeed Lugs or Double Lug



Feed-thru lugs are mounted at the opposite end of the main bus from the main lugs or main breaker and are used to connect two or more panelboards to the incoming feeder. The feeder cables are brought into Panelboard 1 and connected to the main lugs or main breaker. Cables interconnecting the two panelboards are connected to the feed-thru lugs in Panelboard 1 and are carried over the main lugs in Panelboard 2. This arrangement could be reversed with the main lugs located at the top and the feed-thru lugs at the bottom of the panel.

Subfeed lugs are mounted directly beside the main incoming lugs and are used to connect two or more panelboards to the incoming feeder. The feeder cables are brought into Panelboard 1 and connected to the main lugs. Another set of cables that are the same size are connected to the subfeed lugs of Panelboard 1 and are carried over the main lugs of Panelboard 2.

Note: P1 panelboards do not have subfeed lugs available. If this configuration is needed, move to a P2 or P3 panelboard.

# Panelboards

## General Specifications

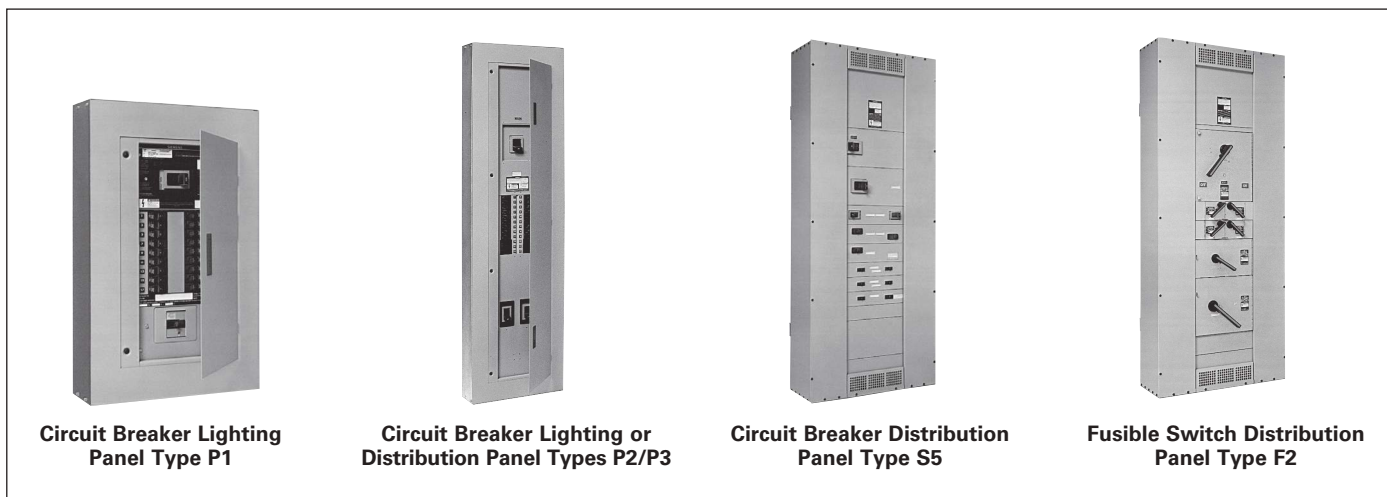
*General*

### Bussing Sequence

Interiors are designed to accommodate top or bottom feed.

All breakers have bolted connections.

The panel design provides bracing up to 200,000A IR CSA short circuit rating. Case-hardened, high performance, thread rolling screws are used on branch bus.



**Circuit Breaker Lighting Panel Type P1**

**Circuit Breaker Lighting or Distribution Panel Types P2/P3**

**Circuit Breaker Distribution Panel Type S5**

**Fusible Switch Distribution Panel Type F2**

### Panelboard Ratings

Description	Next Gen P1	P2	P3	S5	F2
Max. Voltage	600Y/347V AC Max.	600V AC Max. 250V DC Max.	600V AC Max. 250V DC Max.	600V AC Max. 250V DC Max.	600V AC Max. 250V DC Max.
System	1-Phase, 2-wire 1-Phase, 3-wire 3-Phase, 3-wire 3-Phase, 4-wire	1-Phase, 2-wire 1-Phase, 3-wire 3-Phase, 3-wire 3-Phase, 4-wire	1-Phase, 2-wire 1-Phase, 3-wire 3-Phase, 4-wire 3-Phase, 3-wire	1-Phase, 3-wire 3-Phase, 4-wire 3-Phase, 3-wire	1-Phase, 3-wire 3-Phase, 4-wire 3-Phase, 3-wire
Mains					
Main Lugs	125A-400A	125A-600A	400A-800A	225A-1200A	225A-1200A
Main Breaker	100A-400A	100A-600A	200A-600A	400A-1200A	—
Main Switch	—	—	—	—	200A-600A
Circuits	18, 30, 42, 54, 66 (250A) 30, 42, 54, 66 (400A)	18, 30, 42, 54, 66 78, 90 <sup>①</sup>	18, 30, 42, 54, 66, 78, 90	—	—
Branch Ratings	15-125A (Interior) 250A Max. (Subfeed breaker)	15-225A (Interior) 250A Max. (Subfeed breaker)	15-225A (Interior) 400A Max. (Subfeed breaker)	15-1200A MCCB	30-1200A Fusible
Branch Disconnect Devices	BL, BLH, HBL, BQD, BQD6, BLE, BLEH, BLF2, BLHF2, HBLF2, BLFB, BLHFB, BAF2, BAFH2, HBAF2, BFGA2, BFGAH2, HBFGA2, NGB <sup>②</sup>	BL, BLH, HBL, BQD, BQD6, QR2 <sup>③</sup> , QRH2 <sup>③</sup> , HQR2 <sup>③</sup> , HQR2H <sup>③</sup> , ED2, ED4, HED4, ED6, CED6, BLE, BLEH, BLF2, BLHF2, HBLF2, BLFB, BLHFB, BAF2, BAFH2, HBAF2, BFGA2, BFGAH2, HBFGA2, NGB2, HGB2, LGB2	BL, BLH, HBL, BQD, BQD6, QR2 <sup>③</sup> , QRH2 <sup>③</sup> , HQR2 <sup>③</sup> , HQR2H <sup>③</sup> , ED2, ED4, HED4, ED6, BLE, BLHF, BLEH, BLF2, BLHF2, HBLF2, BLFB, BAF2, BAFH2, HBAF2, BFGA2, BFGAH2, HBFGA2, NGB2, HGB2, LGB2	All 15-1200A MCCBs, and VL DG, FG, JG	All 30-600A VB switches, 30-200A VK switches, and 800-1200A HCP switches
Subfeed Circuit Breakers <sup>②③</sup>	ED2, ED4, ED6, HED4, QR2, QRH2, HQR2, HQR2H, FD6, HFD6, FXD6, HFXD6	JD6, HJD6, JXD6, HJXD6, FD6, HFD6, FXD6, HFXD6	JD6, HJD6, JXD6, HJXD6, FD6, HFD6, FXD6, HFXD6	—	—
Enclosure Heights Inches – (mm)	26, 32, 38, 44, 50, 56 @250A (660, 813, 965, 1118, 1270, 1422) 56, 62, 68, 74 @400A (1422, 1575, 1727, 1880)	26, 32, 38, 44, 50, 56, 62, 68, 74 (660-1880)	56, 62, 68, 74, 80 (1422-2032)	60, 75, 90 (1524, 1905, 2286)	60, 75, 90 (1524, 1905, 2286)
Standard Trims	Fas-Latch – 1 Piece Surface or Flush	Fas-Latch – 1 Piece Surface or Flush	Fas-Latch – 1 Piece Surface or Flush	—	—

① P1 panels with NGB breakers are limited to NGB branch devices only. BL and BQD frames may not be mixed in this panel type.  
② P1 can have max. 1 subfeed breaker when Subfeed Space is available. P2 and P3 can have up to (2) FD subfeed breakers.

③ JD and FD breakers are mounted vertical. Limitations apply.  
④ A maximum of (3) QR breakers may be mounted in a P2 Panel and are single mounted.

⑤ A maximum of (4) QR breakers may be mounted in a P3 panel and are twin mounted.

# Panelboards

## General Specifications

General

### Typical Panelboard Modifications

Description	Lighting and Distribution Panelboards			Distribution Panelboards	
	P1	P2	P3	S5	F2
<b>Box</b>					
Type 1	Standard (20" W)	Standard (20" W)	Standard (24" W)	Standard	Standard
Type 1 Enclosure with Hood (available from distributor stock)	●	●	●	●	●
Type 1 w/Gasket between box and front	●	●	●	●	●
Type 2 Enclosure - Drip Tight <sup>Ⓞ</sup>	●	●	●	●	●
Type 3R/12	●	●	●	●	●
Type 4, 4X (size varies by type/material)	●	●	●	—	—
Wider Box (check w/factory for custom options)	● (24"W)	● (24", 30" or 36"W)	● (30" or 36"W)	● (custom)	● (custom)
Deeper Box (check w/factory for custom options)	(7.75"D)	● (7.75"D)	● (custom)	● (custom)	● (custom)
<b>Front</b>					
Front with Door	Standard	Standard	Standard	●	●
4-piece Front	—	—	—	Standard	Standard
4-piece Front w/Hinged Gutter Covers	—	—	—	●	●
Hinged-to-Box Front/Skew-to-Box Front	●	●	●	(see Door-in-Door)	(see Door-in-Door)
Door-in-Door Front	●	●	●	●	●
Door with padlock	●	●	●	—	—
Special Locks	●	●	●	●	●
Nameplate	●	●	●	●	●
<b>Interior</b>					
Aluminum Equipment Ground Bar	Standard	Standard	Standard	Standard	Standard
Copper Equipment Ground Bar	●	●	●	●	●
Insulated Equipment Ground (CU or AL)	●	●	●	●	●
Subfeed Lugs	—	●	●	●	●
Feed-Thru Lugs	●	●	●	●	●
Compression Lugs	●	●	●	●	●
Copper Lugs	●	●	●	●	●
200% Neutral	●	●	●	400 - 600A	400 - 600A
Tin Plated Aluminum Bussing	Standard	Standard	Standard	Standard	Standard
Tin Plated Copper Bussing	●	●	●	●	●
Silver Plated Copper Bussing	—	●	●	●	●
R, J and T Fuse Clips	—	—	—	—	●

● Available as an option. — Not Available

<sup>Ⓞ</sup> To meet sprinkler proof requirements (CEC Rule 26-008):  
 - P1/P2/P3 Panels:  
 - Select Type 2 enclosure for non-service entrance applications.  
 - Select Type 3R enclosure for service entrance applications.  
 - S5/F2 Panels:  
 - Select Type 3R enclosure.

# Panelboards

## Trim / Front

## Dimensions

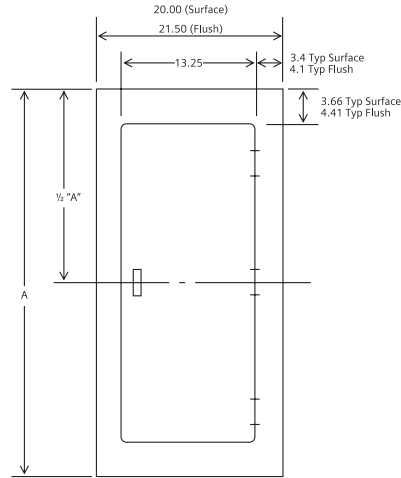


**Standard Trim (FAS-Latch)**  
(14 Gage Standard)

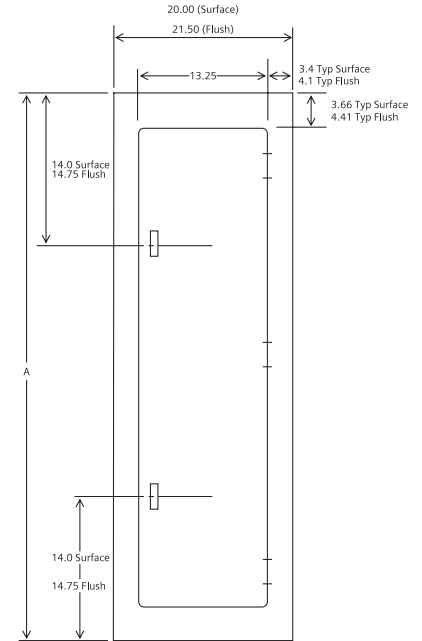
(Into stock includes surface or flush versions of this style in chart on page 11.

### Standard Trim (FAS-Latch) Typical Dimensions (Hinges available as shown on right side only)

(Typical 14 Gage Steel construction or approved equivalent)



Box Size	Surface	Flush	# of Hinges
	A	A	
26	26	27.5	2
32	32	33.5	2
38	38	39.5	2
44	44	45.5	3
50	50	51.5	3



Box Size	Surface	Flush	# of Hinges
	A	A	
56	56	57.5	3
62	62	63.5	3
68	68	69.5	3
74	74	75.5	3



**Door in Door Front**  
(14 Gage Standard)



**Hinged to Box Front**  
(14 Gage Standard)

### Also available

- Screw to Box Trim (14 Gauge Std.)
- Piano Hinge Trim (14 Gauge Std.)
  - a) Screw to box with Piano Hinge Door
  - b) Hinge to Box with Piano Hinge and Piano Hinge Door
  - c) Door-in-Door with Piano Hinge, Both Doors



# Panelboards

## Special Enclosures

*Options*



**TYPE 3R/12 Enclosures**  
(Sizes vary by construction)



**TYPE 4 Enclosures/TYPE 4X Enclosures**  
(Sizes vary by construction)

## Panel Family Portrait



**"P" Series Panelboard Family** for Lighting and Appliance and Distribution Panel Applications

# Panelboards

## Distribution Connector Kits (Circuit Breakers)

Reference

Max Amp Rating	Breaker Family	Branch Breaker Type	Next Gen P1	P2	P3	S5	F2
100	General	BL, BLH, HBL, BQD6	No kit required	BBKB32	BBKB32	6BL2C <sup>③</sup>	—
125	General	NGB	No kit required <sup>①</sup>	BBKNB32	BBKNB32	SNBD	—
	General	NGB2, HGB2, LGB2	—	BBKGB32	BBKGB32	SGB2DCAN	—
	General	HEB	—	—	BBKEB32	SEBD	—
	Sentron	ED2, ED4, ED6, HED4	—	BBKED32	BBKED32	6E62 <sup>②③</sup>	—
	Sentron	CED6	—	BBKCED32	—	6CLE2 <sup>②</sup>	—
150	VL	NDG, LDG	—	—	—	SDGD	—
	3VA	3VA61	—	—	—	S3VA52TDCAN <sup>⑤</sup>	—
225	General Purpose	QR2, QR2H, HQR2, HQR2H	—	BBKQR1	BBKQR2	6QR2CAN <sup>④</sup>	—
250	Sentron	FXD6, FD6, HFD6, HHFD6	—	—	—	6F62 <sup>②</sup>	—
	VL	NFG, LFG	—	—	—	SFGD	—
	Sentron	CFD6	—	—	—	6CLF1C	—
	3VA	3VA52, 3VA62	—	—	—	S3VA52TDCAN <sup>⑤</sup>	—
400	Sentron	JXD6, JD6, HJD6, HHJD6	—	—	—	6JJ62 <sup>②</sup>	—
	VL (Single)	NJG, LJG	—	—	—	SJG1D	—
	VL (Twin)	NJG, LJG	—	—	—	SJG2D	—
	Sentron	CJD6	—	—	—	6CLJ1C	—
600	Sentron	LXD6, LD6, HLD6, HHLD6, SLD6, SHLD6, SJD6, SHJD6	—	—	—	6LL61C	—
	Sentron	CLD6	—	—	—	6CLL1C	—
	Sentron	SCJD6, SCLD6	—	—	—	6SCL61C	—
800	Sentron	MXD6, MD6, HMD6, CMD6, SHMD6, SCMD6	—	—	—	6M61C	—
1200	Sentron	NXD6, ND6, HND6, CND6, SHND6, SCND6	—	—	—	6N61C	—

① NGB branch breakers can be installed in P1 interior ending with suffix "-NGB" only.

② These are aluminum connectors. If copper is required please add suffix C.

③ 3.75" plate accommodates six 1-pole breakers.

④ For QR filler plate only, use p/n: **6QR2FKCAN**. For copper QR kit, use p/n: **6QR2CCAN**.

⑤ To field install a single **3VA52**, **3VA61** or **3VA62** breaker to an existing strap, provision kit p/n: **S3VA52PRCAN** is required.

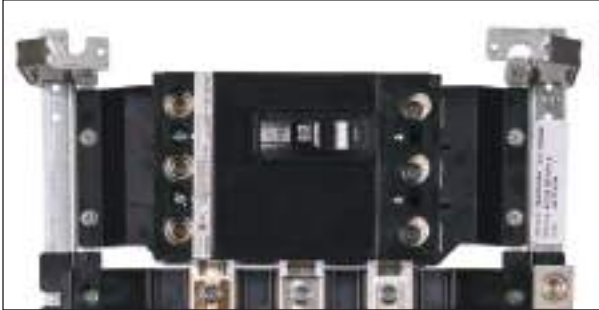
# Panelboards

## Features / Benefits

*Reference*

The standard Siemens P1 panelboard has some unique features that make it easier to design for an engineer, easier to reconfigure in the field for a contractor, and easier to upgrade and maintain for the Owner. The P1 is the smallest panel in the Siemens lineup, with bus sizes up to 400A. What makes it different is the split neutral design and the open ended bus. In the Siemens panel, instead of the common single neutral bus on one end, we have a neutral bus on both sides that is cross-bussed. This makes branch wiring simpler and cleaner – the lead lengths for line and neutral can now be made nearly the same, creating more room and a neater installation. It also allows access to both ends of the bus as a standard feature – this provides the flexibility to make changes in the field, even if it wasn't part of the original configuration. Next Gen P1 introduced in 2015 has extended circuits up to 66 available and also non-feed thru versions are available, without the Subfeed Space, in a 6" smaller enclosure.

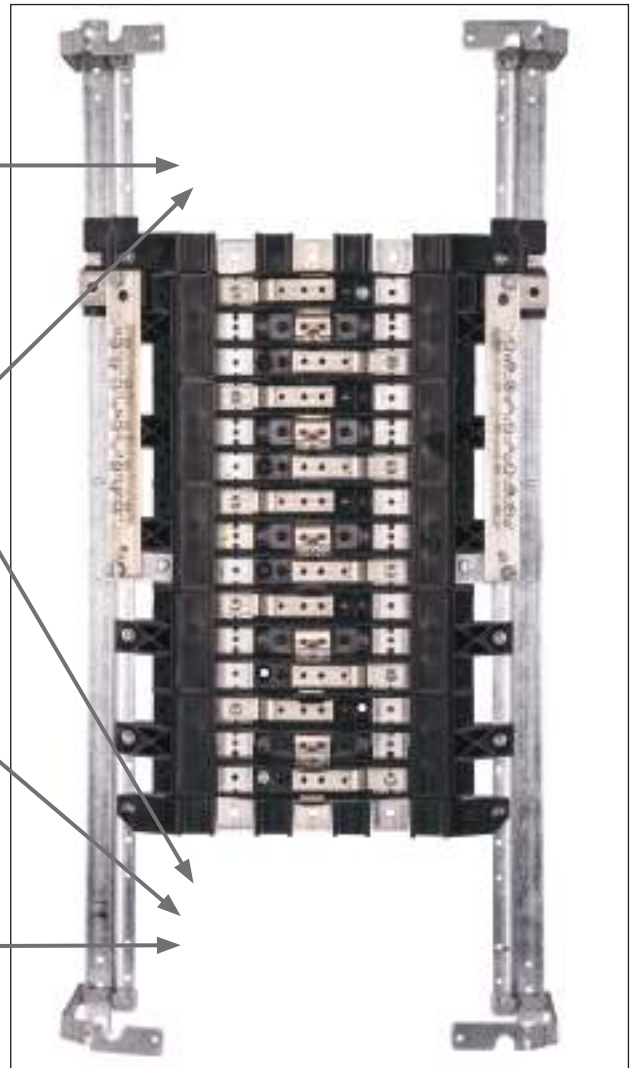
### MAIN BREAKER or SUB-FEED BREAKER



### MAIN LUGS or FEED-THROUGH LUGS



### INTEGRAL BUS MOUNTED SPD



The following can be done to a standard P1 panelboard **in the field** with no modifications:

- Change from top fed to bottom fed
- Add feed-through lugs<sup>①</sup>
- Add an Integral bus-mounted SPD<sup>①</sup>
- Add a sub feed breaker up to 250 amps<sup>①</sup>
- Change from Main Lugs to Main Breaker
- Change from Main Breaker to Main Lugs
- Panel may have up to two ground assemblies. Options are: (a) standard aluminum, (b) optional copper, or (c) optional insulated/isolated aluminum or copper. Mounting provisions in opposing corners of the box are standard. Any of these options may be added after installation.

<sup>①</sup> Only when Subfeed Space is selected/available.

# Panelboards

## Distributor stock - Type P1 Ready To Assemble Panelboards

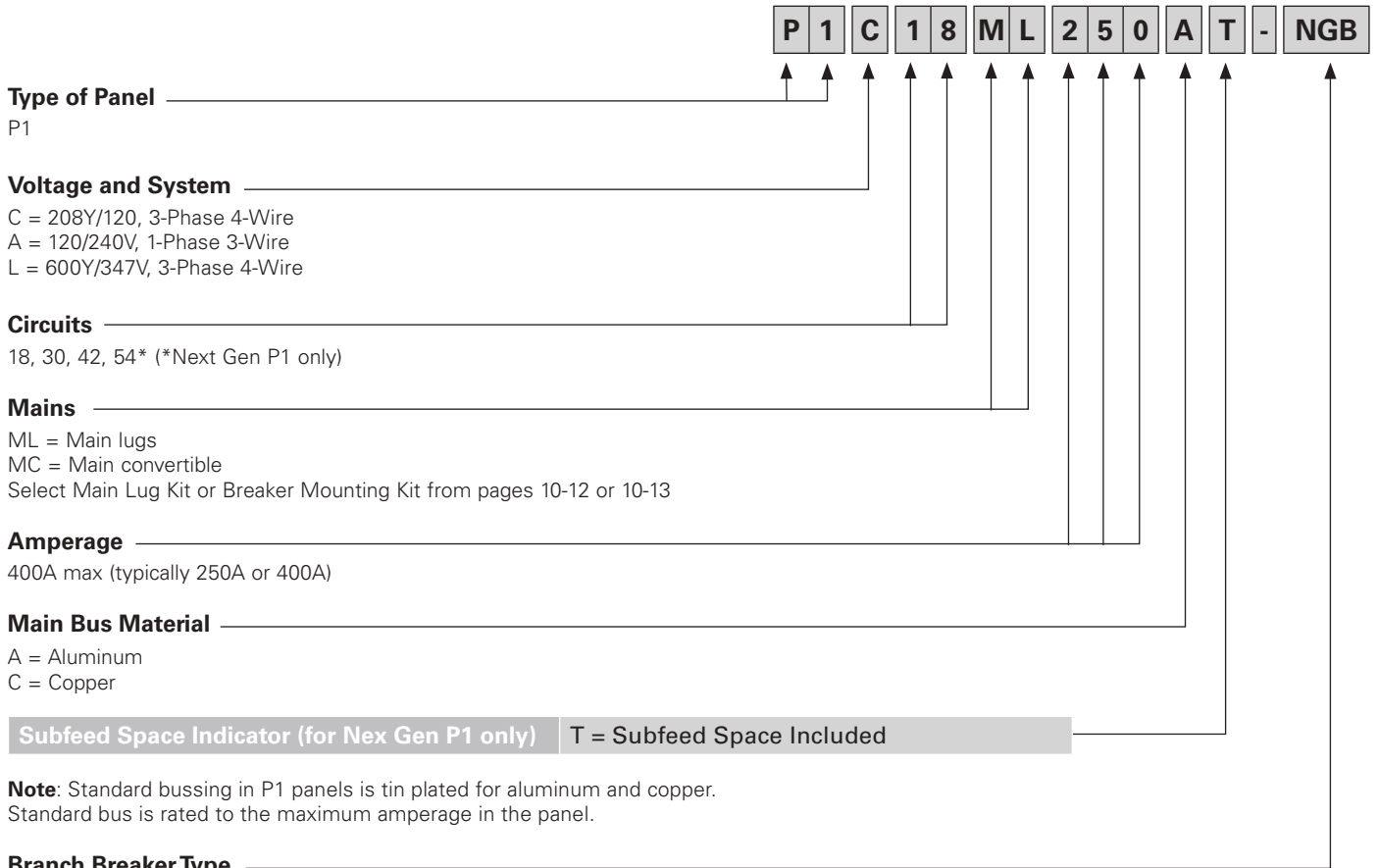
*Reference*

Type P1 ready to assemble panelboards are completely convertible from main lug to main breaker and vice-versa. Additionally, feed-thru lugs or subfeed circuit breakers up to 400 amperes can be added without increasing the box height for Next Gen P1 with "T" suffix, see the chart.

1. Compute total number of poles to determine interior catalog number. (Note: BL / BQD (or) or NGB Main Breaker will use unit space. The total number of poles should include 2 or 3 poles for 1-phase or 3-phase mains.
2. List catalog number of interior, box and front.
3. Select main lug kit or main breaker kit from appropriate tables.

- Note:** Main/Subfeed Breaker mounting kits may be ordered with or without breakers included, see page 10-12 and 10-13 for selection.
4. List required branch circuit breakers and filler plates to cover any unused positions.
  5. Select any modifications or accessories.

**Note:** Next Gen P1 was introduced in June 2015. All original P1 devices do not include the "Subfeed Space" Indicator. All original P1 included the Subfeed Space as standard.



**Note:** Standard bussing in P1 panels is tin plated for aluminum and copper. Standard bus is rated to the maximum amperage in the panel.

### Branch Breakers

Panel Type	Voltage (Max.)	Breaker Type	Additional Information
Next Gen P1	240	BL, BLH, HBL, BQD, NGB	See Page 10-13 and 10-14
	480 / 277	BQD, NGB	
	600 / 347	BQD6, NGB	

# Panelboards

## Distributor Stock - Type P1 Ready To Assemble Panelboards

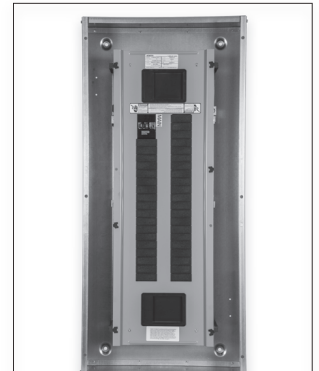
Reference

### 400A Max. — 20" Wide x 5.75" Deep

1. Choose the appropriate Interior from the table below.
2. Choose the Main Device: Main Lugs from page 10-12, Main Breaker Kit from pages 10-12 - 10-13.
3. Choose Branch Breakers. BL, BQD and NGB breakers from pages 10-13 - 10-14.
4. Choose Feed-Thru Lugs or Subfeed Breaker Kit from page 10-12.

### Type P1 Into Stock Panelboards (Next Gen P1 introduced in June 2015)

Amps	Max. #of Poles	Original Main Lugs Interior Cat. Number	Next Gen P1 Main Lug Interior Cat. Number	Original Main Convertible Interior Cat. Number	Next Gen P1 Main Convertible Interior Cat. Number	Box Size	Type 1 Encl.	Type 3R/12 Encl.®	Type 1 Front Surface	Type1 Front Flush
<b>1-Phase, 3-Wire 120/240V</b>										
250	18	P1A18ML250A	P1A18ML250AT	P1A18MC250A	P1A18MC250AT	32	B32	WP32	S32B	F32B
	30	P1A30ML250A	P1A30ML250AT	P1A30MC250A	P1A30MC250AT	38	B38	WP38	S38B	F38B
	42	P1A42ML250A	P1A42ML250AT	P1A42MC250A	P1A42MC250AT	44	B44	WP44	S44B	F44B
	54	—	P1A54ML250AT	—	P1A54MC250AT	50	B50	WP50	S50B	F50B
400	18	P1A18ML400A	—	P1A18MC400A	—	—	—	—	—	—
	30	P1A30ML400A	P1A30ML400AT	P1A30MC400A	P1A30MC400AT	62	B62	WP62	S62B	F62B
	42	P1A42ML400A	P1A42ML400AT	P1A42MC400A	P1A42MC400AT	68	B68	WP68	S68B	F68B
	54	—	P1A54ML400AT	—	P1A54MC400AT	74	B74	WP74	S74B	F74B
250	18	P1A18ML250C	P1A18ML250CT	P1A18MC250C	P1A18MC250CT	32	B32	WP32	S32B	F32B
	30	P1A30ML250C	P1A30ML250CT	P1A30MC250C	P1A30MC250CT	38	B38	WP38	S38B	F38B
	42	P1A42ML250C	P1A42ML250CT	P1A42MC250C	P1A42MC250CT	44	B44	WP44	S44B	F44B
	54	—	P1A54ML250CT	—	P1A54MC250CT	50	B50	WP50	S50B	F50B
400	18	P1A18ML400C	—	P1A18MC400C	—	—	—	—	—	—
	30	P1A30ML400C	P1A30ML400CT	P1A30MC400C	P1A30MC400CT	62	B62	WP62	S62B	F62B
	42	P1A42ML400C	P1A42ML400CT	P1A42MC400C	P1A42MC400CT	68	B68	WP68	S68B	F68B
	54	—	P1A54ML400CT	—	P1A54MC400CT	74	B74	WP74	S74B	F74B
<b>3-Phase, 4-Wire 208Y / 120V</b>										
250	18	P1C18ML250A	P1C18ML250AT	P1C18MC250A	P1C18MC250AT	32	B32	WP32	S32B	F32B
	30	P1C30ML250A	P1C30ML250AT	P1C30MC250A	P1C30MC250AT	38	B38	WP38	S38B	F38B
	42	P1C42ML250A	P1C42ML250AT	P1C42MC250A	P1C42MC250AT	44	B44	WP44	S44B	F44B
	54	—	P1C54ML250AT	—	P1C54MC250AT	50	B50	WP50	S50B	F50B
400	18	P1C18ML400A	—	P1C18MC400A	—	—	—	—	—	—
	30	P1C30ML400A	P1C30ML400AT	P1C30MC400A	P1C30MC400AT	62	B62	WP62	S62B	F62B
	42	P1C42ML400A	P1C42ML400AT	P1C42MC400A	P1C42MC400AT	68	B68	WP68	S68B	F68B
	54	—	P1C54ML400AT	—	P1C54MC400AT	74	B74	WP74	S74B	F74B
250	18	P1C18ML250C	P1C18ML250CT	P1C18MC250C	P1C18MC250CT	32	B32	WP32	S32B	F32B
	30	P1C30ML250C	P1C30ML250CT	P1C30MC250C	P1C30MC250CT	38	B38	WP38	S38B	F38B
	42	P1C42ML250C	P1C42ML250CT	P1C42MC250C	P1C42MC250CT	44	B44	WP44	S44B	F44B
	54	—	P1C54ML250CT	—	P1C54MC250CT	50	B50	WP50	S50B	F50B
400	18	P1C18ML400C	—	P1C18MC400C	—	—	—	—	—	—
	30	P1C30ML400C	P1C30ML400CT	P1C30MC400C	P1C30MC400CT	62	B62	WP62	S62B	F62B
	42	P1C42ML400C	P1C42ML400CT	P1C42MC400C	P1C42MC400CT	68	B68	WP68	S68B	F68B
	54	—	P1C54ML400CT	—	P1C54MC400CT	74	B74	WP74	S74B	F74B
<b>3-Phase, 4-Wire 600Y/347V</b>										
250	18	P1L18ML250A	P1L18ML250AT	P1L18MC250A	P1L18MC250AT	32	B32	WP32	S32B	F32B
	30	P1L30ML250A	P1L30ML250AT	P1L30MC250A	P1L30MC250AT	38	B38	WP38	S38B	F38B
	42	P1L42ML250A	P1L42ML250AT	P1L42MC250A	P1L42MC250AT	44	B44	WP44	S44B	F44B
	54	—	P1L54ML250AT	—	P1L54MC250AT	50	B50	WP50	S50B	F50B
400	18	P1L18ML400A	—	P1L18MC400A	—	—	—	—	—	—
	30	P1L30ML400A	P1L30ML400AT	P1L30MC400A	P1L30MC400AT	62	B62	WP62	S62B	F62B
	42	P1L42ML400A	P1L42ML400AT	P1L42MC400A	P1L42MC400AT	68	B68	WP68	S68B	F68B
	54	—	P1L54ML400AT	—	P1L54MC400AT	74	B74	WP74	S74B	F74B
250	18	P1L18ML250C	P1L18ML250CT	P1L18MC250C	P1L18MC250CT	32	B32	WP32	S32B	F32B
	30	P1L30ML250C	P1L30ML250CT	P1L30MC250C	P1L30MC250CT	38	B38	WP38	S38B	F38B
	42	P1L42ML250C	P1L42ML250CT	P1L42MC250C	P1L42MC250CT	44	B44	WP44	S44B	F44B
	54	—	P1L54ML250CT	—	P1L54MC250CT	50	B50	WP50	S50B	F50B
400	18	P1L18ML400C	—	P1L18MC400C	—	—	—	—	—	—
	30	P1L30ML400C	P1L30ML400CT	P1L30MC400C	P1L30MC400CT	62	B62	WP62	S62B	F62B
	42	P1L42ML400C	P1L42ML400CT	P1L42MC400C	P1L42MC400CT	68	B68	WP68	S68B	F68B
	54	—	P1L54ML400CT	—	P1L54MC400CT	74	B74	WP74	S74B	F74B
<b>Interiors for NGB Breakers — 3-Phase, 4-Wire 600Y/347V</b>										
250	18	—	P1L18ML250AT-NGB	—	P1L18MC250AT-NGB	32	B32	WP32	S32B	F32B
	30	—	P1L30ML250AT-NGB	—	P1L30MC250AT-NGB	38	B38	WP38	S38B	F38B
	42	—	P1L42ML250AT-NGB	—	P1L42MC250AT-NGB	44	B44	WP44	S44B	F44B
	54	—	P1L54ML250AT-NGB	—	P1L54MC250AT-NGB	50	B50	WP50	S50B	F50B
400	18	—	—	—	—	—	—	—	—	—
	30	—	P1L30ML400AT-NGB	—	P1L30MC400AT-NGB	62	B62	WP62	S62B	F62B
	42	—	P1L42ML400AT-NGB	—	P1L42MC400AT-NGB	68	B68	WP68	S68B	F68B
	54	—	P1L54ML400AT-NGB	—	P1L54MC400AT-NGB	74	B74	WP74	S74B	F74B
250	18	—	P1L18ML250CT-NGB	—	P1L18MC250CT-NGB	32	B32	WP32	S32B	F32B
	30	—	P1L30ML250CT-NGB	—	P1L30MC250CT-NGB	38	B38	WP38	S38B	F38B
	42	—	P1L42ML250CT-NGB	—	P1L42MC250CT-NGB	44	B44	WP44	S44B	F44B
	54	—	P1L54ML250CT-NGB	—	P1L54MC250CT-NGB	50	B50	WP50	S50B	F50B
400	18	—	—	—	—	—	—	—	—	—
	30	—	P1L30ML400CT-NGB	—	P1L30MC400CT-NGB	62	B62	WP62	S62B	F62B
	42	—	P1L42ML400CT-NGB	—	P1L42MC400CT-NGB	68	B68	WP68	S68B	F68B
	54	—	P1L54ML400CT-NGB	—	P1L54MC400CT-NGB	74	B74	WP74	S74B	F74B



42 circuit with Back-fed Main



54 circuit 400A

© Front included in type 3R/12 Box.



# Panelboards

## Warehouse Stock – Type P1 Panelboards

*Selection*

### Lug Kits – Main or Feed Thru

Amp Rating	Matl.	Wire Range (includes Neutral)	Service	Original P1 Cat. No.	Next Gen P1 Cat. No.
250	AL	(1) #6 AWG- 350 kcmil (CU or AL)	1 Phase	MLKA1	MLKA1A
			3 Phase	MLKA3	MLKA3A
	CU	(1) #6 AWG- 350 kcmil (CU or AL)	1 Phase	MLKC1	MLKC1A
			3 Phase	MLKC3	MLKC3A
400	AL	(2) 1/0 - 250 kcmil or (1) #2 AWG-600 kcmil	1 Phase	4MLKA1	4MLKA1A
			3 Phase	4MLKA3	4MLKA3A
	CU	(2) 1/0 - 4/0 or (1) 1/0 - 600 kcmil	1 Phase	4MLKC1	4MLKC1A
			3 Phase	4MLKC3	4MLKC3A
400	AL	(1) AL 1/0-750 kcmil (2) AL/CU 250 kcmil max. [max.(1) 600 kcmil CU wire]	1 Phase	–	4MLKA1B
			3 Phase	–	4MLKA3B

### Breaker Mounting Kits 250A Max. – Main or Subfeed w/o Breaker

Amp Rating	Breaker Types	Service	Original P1 Cat. No.	Next Gen P1 Cat. No.
100A	BL, BLH, HBL	1-Phase	MBKBL1	Use Back-fed Main Label Kit # MBKBFA <sup>Ⓢ</sup>
		3-Phase	MBKBL3	
100A	BQD	1-Phase	–	
		3-Phase	–	
125A	NGB	1-Phase	MBKNB1	
		3-Phase	MBKNB3	
125A	ED4, ED6, HED4, HED6	1-Phase	MBKED1	MBKED1A
		3-Phase	MBKED3	MBKED3A
225A <sup>Ⓢ</sup>	QR2, QRH2, HQR2, HQR2H	1-Phase	MBKQR1	MBKQR1A
		3-Phase	MBKQR3	MBKQR3A
250A	FXD6, FD6, HFD6, HFXD6	1-Phase	MBKFD1	MBKFD1A
		3-Phase	MBKFD3	MBKFD3A
400A <sup>Ⓢ</sup>	JXD2, JD6, JXD6, HJD6, HJXD6	1-Phase	MBKJD1	MBKJD1A
		3-Phase	MBKJD3	MBKJD3A

### Copper Neutral Lug Kits – 250A

No. of Circuits	Description	Original P1 Cat. No.	Next Gen P1 Cat. No.
18	2 or 4 Branch Neutral Strips, 1 Main Neutral Lug, Hardware	CNKL18	Use 30 ckt kit
30		CNKL30	CNLK30A
42		CNKL42	CNLK42A
54, 66		–	CNLK54A

### 2/0 Neutral Lug Kits – 250A and 400A

No. of Circuits	Description	Original P1 Cat. No.	Next Gen P1 Cat. No.
18	2 or 4 Branch Neutral Strips, Hardware	–	Use 30 ckt kit
30		–	LNLK30A
42		–	LNLK42A
54, 66		–	LNLK54A

### 200% Neutral Lug Kits/250A

No. of Circuits	Description	Original P1 Cat. No.	Next Gen P1 Cat. No.
18	2 or 4 Branch Neutral Strips, 2 Main Neutral Lugs, Hardware	2NLK18	Use 30 ckt kit
30		2NLK30	2NLK30A
42		2NLK42	2NLK42A
54, 66		–	2NLK54A

### 200% Neutral Lug Kits/400A

No. of Circuits	Description	Original P1 Cat. No.	Next Gen P1 Cat. No.
18	2 or 4 Branch Neutral Strips, 1 Main 600MCM Neutral Lug, Hardware	42NLK18	Use 30 ckt kit
30		42NLK30	42NLK30A
42		42NLK42	42NLK42A
54, 66		–	42NLK54A



MBKFD3A



### Miscellaneous Parts and Accessories

Catalogue Number	Description
BK1	Bonding Kit for 400A max. Original P1 Panels
BK1A	Bonding Kit for 400A max. Next Gen P1 Panels
BK2	Bonding kit for S1/S2 400 & 600
BK3	Bonding kit for S3 Panel
IMK1	Interior Adjusting Kit
9271-1	Directory Card Holder
MCHK	Metal Card Holder Kit
NBK03	Number Strips 1–42. Stick-on type; Use w/ P1 series Panels
NBK04	Number Strips 43–84. Stick-on type; Use w/ P1 series Panels
NBK05	Number Strips 85–126. Stick-on type; Use w/ P1 series Panels
NBK06	Number Strips 127–168. Stick-on type; Use w/ P1 series Panels
EGK	AL Ground Bus 44 Connections
ECGK	CU Ground Bus 44 Connections
IGK	Insulated AL Ground Bus
ICGK	Insulated CU Ground Bus
EWK1	End Wall Kit with Knockouts (20" W x 5.75" DP)
EWK2	End Wall Kit with Knockouts (24" W x 7.75" DP)
P1SCRWS	Package of 42 breaker mounting screws for P1
DFFP1A	1" Branch circuit filler plate (suitable for replacing QF3 in P1 thru P5 Panelboards and Switchboards)
P1CONBPHCU <sup>Ⓢ</sup>	Connector kit – 6 pcs. B-phase Copper
P1CONBPHAL <sup>Ⓢ</sup>	Connector kit – 6 pcs. B-phase Aluminum
P1CONACPHCU <sup>Ⓢ</sup>	Connector kit – 6 pcs. A or C-phase Copper
P1CONACPHAL <sup>Ⓢ</sup>	Connector kit – 6 pcs. A or C-phase Aluminum
MBKQRFK	P1/Next Gen P1 Filler for 1PH/3PH QR. Horizontal mount only.
TPS9IKITP1	P1 mounting bracket for SPD TPS3 09

Ⓢ 400 amp kit is for main only – not allowed for subfeed breaker.

Ⓢ MBKBFA kit is available to mount BL/BQD/NGB 2-pole or 3-pole in unit space as a "Back-Fed Main". This occupies branch space and reduces circuit count by 2 or 3 positions. (includes Neutral Lug, "MAIN" label and instructions).

Ⓢ Although QR is rated 250A, it is limited to 225A in panelboard.

Ⓢ Original P1 kits will not work with Next Gen P1 interiors if the chart shows different part numbers for each.

Ⓢ Next Gen P1 kits will not work with Original P1 interiors if the chart shows different part numbers for each.

Ⓢ Replacement parts only.

Ⓢ PDF can be downloaded and printed at this location: <http://www.nema.org/standards/pages/Panelboards.aspx> (ref. Material #11-1056-01)

# Panelboards

## Warehouse Stock – Type P1 Panelboards

*Selection*

**Main Breaker Mounting Kits with Breakers for P1 Panels** (250A and lower can be used as subfeed kits also)

Nex Gen P1 Catalogue No.	Description	Ratings	
		240V	600V
MBKED33100A	Kit w/3-pole ED6 100A breaker	65kA	18kA
MBKED33125A	Kit w/3-pole ED6 125A breaker	65kA	18kA
MBKQR12225A	Kit w/2-pole QR2 225A breaker	10kA	—
MBKQR33150A	Kit w/3-pole QR2 150A breaker	10kA	—
MBKQR33200A	Kit w/3-pole QR2 200A breaker	10kA	—
MBKQR33225A	Kit w/3-pole QR2 225A breaker	10kA	—
MBKFD33200A	Kit w/3-pole FXD6 200A breaker	65kA	22kA
MBKFD33225A	Kit w/3-pole FXD6 225A breaker	65kA	22kA
MBKFD33250A	Kit w/3-pole FXD6 250A breaker	65kA	22kA
MBKHF33250A	Kit with 3-Pole HFD6 250A Breaker	100kA	25kA
MBKJD33400A <sup>Ⓞ</sup>	Kit w/3-pole JXD6 400A breaker	65kA	25kA

NOTE: \*Next Gen P1\* Kits above only work for interior numbers ending in "T" or "N". Use \*Original P1\* main connector kits and loose breaker for all others.

### GFCI Personnel Protection (5MA)

Breaker Type	Ampere Rating	Catalogue Number	Interrupting Ratings (kA) RMS Symmetrical Amperes		
			Volts AC		
			120	120/240	240
BLF2 1-Pole	15	BF115A BF120A BF130A	10	—	—
	20				
	30				
BLFB 2-Pole	15	BF215A BF220A BF230A BF240A BF250A BF260A	—	10	—
	20				
	30				
	40				
	50				
60					
BLHF2 1-Pole	15	BF115AH BF120AH BF130AH	22	—	—
	20				
	30				
BLHFB 2-Pole	15	BF215AH■ BF220AH BF230AH BF240AH■ BF250AH■ BF260AH	—	22	—
	20				
	30				
	40				
	50				
60					
HBLF2 1-Pole	15	BF115AHH BF120AHH BF130AHH	65	—	—
	20				
	30				



**300A Main installed.**  
These Next Gen P1 kits can now be used as top or bottom feed.

### AFCI – Combination Type Arc Fault Circuit Interrupter

Breaker Type	Ampere Rating	Catalogue Number	Interrupting Ratings (kA) RMS Symmetrical Amperes		
			Volts AC		
			120	120/240	240
BAF2 1-pole	15	BA115AFC	10	—	—
	20				
BAFH2 1-pole	15	BA115AFCH	22	—	—
	20				
HBAF2 1-pole	15	BA115AFCHH	65	—	—
	20				
BAF 2-pole	15	B215AFC	—	10	—
	20				
BAF2 2-pole	15	B215AFCH	—	22	—
	20				
BAF2 2-pole	15	B220AFCH	—	22	—
	20				

### Dual Function AFCI/GFCI Circuit Breakers

Breaker Type	Ampere Rating	Catalogue Number	Interrupting Ratings (kA) RMS Symmetrical Amperes		
			Volts AC		
			120	120/240	240
BFGA2 1-pole	15	B115DF	10	—	—
	20				
BFGA2 1-pole	15	B115DFH	22	—	—
	20				
HBFGA2 1-pole	15	B115DFHH	65	—	—
	20				
BFGA2 1-pole	15	B120DF	10	—	—
	20				
BFGA2 1-pole	15	B120DFH	22	—	—
	20				
HBFGA2 1-pole	15	B120DFHH	65	—	—
	20				

■ Built to order. Allow 8-10 weeks for delivery.

Ⓞ Kits are for Main only. New "Next Gen P1" kits can be used for either top feed or bottom feed.



# Panelboards

## Warehouse Stock/Unassembled – Type P1 Panelboards

*Selection*

### Branch Breakers Selection for P1

#### Selection Guide

1. Select breaker type.
2. Select required amperage.
3. Select number of poles.
4. Select branch breaker catalog numbers.
5. Select ground bar and filler plates.  
(See replacement parts & accessories on page 10-12.)

#### BL Branch Breakers – 10,000A IR<sup>①</sup>

Amp Rating	1-Pole 120/240V	2-Pole 120/240V	2-Pole 240V	3-Pole 240V
15	B115	B215	B215R	B315
20	B120	B220	B220R	B320
25	B125	B225	B225R	B325
30	B130	B230	B230R	B330
35	B135	B235	B235R	B335
40	B140	B240	B240R	B340
45	B145	B245	B245R	B345
50	B150	B250	B250R	B350
55	B155	—	—	—
60	B160	B260	—	B360
70	B170	B270	—	B370
80	—	B280	—	B380
90	—	B290	—	B390
100	—	B2100	—	B3100

#### BLH Branch Breakers – 22,000A IR<sup>①</sup>

Amp Rating	1-Pole 120/240V	2-Pole 120/240V	3-Pole 240V
15	B115H	B215H	B315H
20	B120H	B220H	B320H
25	B125H	B225H	B325H
30	B130H	B230H	B330H
35	B135H	B235H	B335H
40	B140H	B240H	B340H
45	B145H	B245H	B345H
50	B150H	B250H	B350H
55	B155H	—	—
60	B160H	B260H	B360H
70	B170H	B270H	B370H
80	—	B280H	B380H
90	—	B290H	B390H
100	—	B2100H	B3100H

#### HBL Branch Breakers – 65,000A IR<sup>①</sup>

Amp Rating	1-Pole 120/240V	2-Pole 120/240V	3-Pole 240V
15	B115HH	B215HH	B315HH
20	B120HH	B220HH	B320HH
30	B130HH	B230HH	B330HH
40	B140HH	B240HH	B340HH
50	B150HH	B250HH	B350HH
60	—	B260HH	B360HH
70	—	B270HH	B370HH
80	—	B280HH	B380HH
90	—	B290HH	B390HH
100	—	B2100HH	B3100HH

#### BQD Branch Breakers – 14,000A IR Max. @ 480/277 Vac / 65,000A IR max. @ 240 Vac<sup>②</sup>

Amp Rating	1-Pole 277V	2-Pole 480Y/277V	3-Pole 480Y/277V
15	BQD115	BQD215	BQD315
20	BQD120	BQD220	BQD320
25	BQD125	BQD225	BQD325
30	BQD130	BQD230	BQD330
35	BQD135	BQD235	BQD335
40	BQD140	BQD240	BQD340
45	BQD145	BQD245	BQD345
50	BQD150	BQD250	BQD350
55	BQD155	BQD255	BQD355
60	BQD160	BQD260	BQD360
70	BQD170	BQD270	BQD370
80	BQD180	BQD280	BQD380
90	BQD190	BQD290	BQD390
100	BQD1100	BQD2100	BQD3100

#### BQD6 Branch Breakers – 10,000A IR max. @ 600/347 Vac

Ampere Rating	Catalogue Number		
	1-Pole 347V	2-Pole 600Y/347V	3-Pole 600Y/347V
15	BQD6115	BQD6215	BQD6315
20	BQD6120	BQD6220	BQD6320
25	BQD6125	BQD6225	BQD6325
30	BQD6130	BQD6230	BQD6330
35	BQD6135	BQD6235	BQD6335
40	BQD6140	BQD6240	BQD6340
45	BQD6145	BQD6245	BQD6345
50	BQD6150	BQD6250	BQD6350
60	BQD6160	BQD6260	BQD6360
70	BQD6170	BQD6270	BQD6370

#### NGB Family Branch Breakers

NGB – 14,000A IR Max. @ 600Y/347V AC / 100,000A IR @ 240V AC

Amp Rating	1-pole 347V	2-pole 600Y/347V	3-pole 600Y/347V
15	NGB1B015B	NGB2B015B	NGB3B015B
20	NGB1B020B	NGB2B020B	NGB3B020B
25	NGB1B025B	NGB2B025B	NGB3B025B
30	NGB1B030B	NGB2B030B	NGB3B030B
35	NGB1B035B	NGB2B035B	NGB3B035B
40	NGB1B040B	NGB2B040B	NGB3B040B
45	NGB1B045B	NGB2B045B	NGB3B045B
50	NGB1B050B	NGB2B050B	NGB3B050B
60	NGB1B060B	NGB2B060B	NGB3B060B
70	NGB1B070B	NGB2B070B	NGB3B070B
80	NGB1B080B	NGB2B080B	NGB3B080B
90	NGB1B090B	NGB2B090B	NGB3B090B
100	NGB1B100B	NGB2B100B	NGB3B100B
110	NGB1B110B	NGB2B110B	NGB3B110B
125	NGB1B125B	NGB2B125B	NGB3B125B

■ Built to order. Allow 8-10 weeks for delivery. ① To add shunt trip to BL breakers, see Breaker Accessories.  
② To add shunt trip to BQD breakers, see Breaker Accessories.

# Panelboards

## Panelboard Replacement, Modification, and Additions

*Selection*

S1/S2 Panels—All the original P1 panel kits for 250 amp and below panels will work for 250 amp maximum S1/S2 panels.

Note: Nex Gen P1 kits will not work with S1/S2

### 400/600 Amp S1/S2 and All SE Panels

#### Lug Kits – Main or Feed Thru

Ampere Rating	Material	Wire Range	Service	Catalogue Number
125A/250A	Al/Cu	(2) 1/0–250 kcmil	1-Phase	<b>MLKA1</b>
125A/250A	Al/Cu	(2) 1/0–250 kcmil	3-Phase	<b>MLKA3</b>
400A/600A	Al/Cu	(2) #3/40–250 kcmil or (1) 3/0-500 kcmil	1-Phase	<b>SMLKA1</b>
400A/600A	Al/Cu	(2) #3/40–250 kcmil or (1) 3/0-500 kcmil	3-Phase	<b>SMLKA3</b>

#### Breaker Mounting Kits

Ampere Rating	Breaker Types	Service	Catalogue Number
125A	ED2, ED4, ED6, HED4, HED6, HHED6	1-Phase	<b>SMBKED1</b>
125A	ED2, ED4, ED6, HED4, HED6, HHED6	3-Phase	<b>SMBKED3</b>
250A	FXD6, FD6, HFXD6, HFD6	1-Phase	<b>SMBKFD1</b>
250A	FXD6, FD6, HFXD6, HFD6	3-Phase	<b>SMBKFD3</b>
400A	JD6, JXD6, HJD6, HJXD6	1-Phase	<b>SMBKJD1</b>
400A	JD6, JXD6, HJD6, HJXD6	3-Phase	<b>SMBKJD3</b>
600A	LD6, LXD6, HLD6, HLXD6	1-Phase	<b>SMBKLD1</b>
600A	LD6, LXD6, HLD6, HLXD6	3-Phase	<b>SMBKLD3</b>

#### Neutral Kits

Ampere Rating	Description	Catalogue Number
250A max.	30/42 circuit 200% neutral kit	<b>2NLK2</b>
400/600A max.	42 circuit 200% neutral kit	<b>2NLK1</b>

### For CDP-7 and S3

#### Breaker Mounting Kits

Ampere Rating	Breaker Types	Material	Catalogue Number
70A	BQD6	Aluminum	<b>7BQD6-2</b>
70A	BQD6	Copper	<b>7BQD6-2C</b>
100A	BL	Aluminum	<b>7BL-2</b>
100A	BL	Copper	<b>7BL-2C</b>
100A	BQD	Aluminum	<b>7BQ-2</b>
100A	BQD	Copper	<b>7BQ-2C</b>
125A	ED2, ED4, ED6, HED4	Aluminum	<b>7E6-2</b>
125A	ED2, ED4, ED6, HED4	Copper	<b>7E6-2C</b>

### For CDP-6, VB-6, SPP-6 and FPP6:

#### Breaker Mounting Kits

Ampere Rating	Breaker Types	Material	Catalogue Number
100A	BL	Copper	<b>6BL2C</b>
125A	ED2, ED4, ED6, HED4	Copper	<b>6E62C</b>
125A	CED6	Copper	<b>6CLE2C</b>
250A	FD6, FXD6, HFD6	Copper	<b>6F62C</b>
400A	JXD6, JD6, HJD6, SJD6	Copper	<b>6JJ62C</b>

# Panelboards

## Factory Assembled

Selection

### Catalogue Numbering System



**Type of Panel** P1, P2, P3, S5, F2

**Voltage and System\***

- |  |   |
|--|---|
| C = 208Y/120 3Ø 4 W Wye AC - All                         | R = 415/240 3Ø 4 W Wye AC - All                     |
| E = 480Y/277 3Ø 4 W Wye AC - All                         | S = 440/250 3Ø 4 W Wye AC - All                     |
| D = 240 3Ø 3 W Delta AC - All                            | L = 600/347 3Ø 4 W Wye AC - All                     |
| F = 480 3Ø 3 W Delta AC - All                            | T = 230 3Ø 3 W Delta AC - All                       |
| G = 600 3Ø 3 W Delta AC - P2, P3, P4, P5                 | W = 380 3Ø 3 W Delta AC - P2, P3, P4, P5            |
| I = 347 3Ø 3 W Delta AC P2, P3, P4, P5                   | 1 = 24V DC 1-Pole Branch Only - P2, P3, P4, P5      |
| B = 240/120 3Ø 4 W Delta BØ High Leg AC - P2, P3, P4, P5 | 2 = 24V DC 2-Pole Branch Only - P2, P3, P4, P5      |
| Q = 240/120 3Ø 4 W Delta CØ High Leg AC - P2, P3, P4, P5 | 3 = 48V DC 1-Pole Branch Only - P2, P3, P4, P5      |
| A = 120/240 1Ø 3 W Grounded Neutral AC - All             | 4 = 48V DC 2-Pole Branch Only - P2, P3, P4, P5      |
| H = 120 1Ø 2 W Grounded Neutral AC - P2, P3, P4, P5      | 5 = 125V DC 1-Pole Branch Only - P2, P3, P4, P5     |
| J = 240 1Ø 2 W No Neutral AC - All                       | N = 125V DC 2-Pole Branch Only - P2, P3, P4, P5     |
| Y = 125 1Ø 2 W Grounded Neutral AC - P2, P3, P4, P5      | O = 125/250V DC 2-Pole Branch Only - P2, P3, P4, P5 |
| Z = No Longer Available                                  | P = 125/250V DC 2 & 3-Pole Branch - All             |
| K = 220/127 3Ø 4 W Wye AC - All                          | U = 120V AC 3Ø3W - All                              |
| M = 380/220 3Ø 4 W Wye AC - All                          | V = 240V 3Ø3W Grounded B Phase - P2, P3, P4, P5     |

\*For any voltage system not listed, check with sales for availability.

**Circuits** or **Enclosure Height**  
P1 – 18, 30, 42, 54, 66  
P2 – 18, 30, 42, 54, 66, 78, 90  
P3 – 18, 30, 42, 54, 66, 78, 90  
S5, F2 - 60, 75, 90

**Main Lug (ML), Main Breaker**  
(See Main Breaker Table coding below)

**Amperage**  
100–400A = P1      400–800A = P3  
100–600A = P2      400–1200A = S5, F2

Bus Code®	Bus Material	Bus Plating	P1	P2	P3	S5	F2
A	Aluminum	Tin-Plated	•	•	•	•	•
C	Copper	Tin-Plated	optional	optional	optional	n/a	n/a
E	Copper	Silver-Plated	optional	optional	optional	•	•

• Indicates default for this bus type.

**Feed Location** T = Top B = Bottom

**Mounting**  
S = Surface  
F = Flush. Flush trims extend 1 1/2" beyond the base box dimensions on P1, P2 and P3.

**Subfeed Space Indicator (for P1 only)** T = Subfeed Space Included N<sup>®</sup> = No Subfeed Space

**Branch Breaker Type**  
NONE = BL/BOD type  
NGB = NGB type only

### Main Breaker Coding

Code	Breaker Type	Code	Breaker Type	Code	Breaker Type	Code	Breaker Type	Code	Breaker Type	Code	Breaker Type	Code	Breaker Type	Code	Breaker Type
BL	BL	H2	HFXD6	J6	JD6	L6	LD6	MD	MD6	ND	ND6	L3	LLK	N8	HNG
BH	BLH	H1	HHFD6	JD	JXD2	LX	LXD6	MX	MXD6	NX	NXD6	J2	NJG	N2	HNX
BR	BLR	H3	HHFXD6	JX	JXD6	LH	LXD6H	MH	MXD6H	NT	NXD6H	J1	NJX	N5	HNY
HB	HBL	G2	HGB	JH	JXD6H	S1	SCLD6	SO	SCMD6	SR	SCND6	J4	NJY	N9	LNG
BQ	BQD	G3	LGB	SC	SCJD6	S2	SHLD6	SQ	SCMD6H	ST	SCND6H	L2	HLK	N3	LNK
B6	BQD6	NB	NGB	SX	SHJD6	SL	SLD6	S5	SHMD6	AD	SHND6	L7	NLK	N6	LNK
CE	CED6	G4	NGB2	SY	SHJD6H	—	—	S6	SHMD6H	SD	SHND6H	M5	HMG	N7	NNG
E4	ED4	G5	HGB2	SJ	SJD6	—	—	SM	SMD6	SN	SND6	M2	HMX	N1	NNX
E6	ED6	G6	LGB2	SH	SJD6H	—	—	AX	SMD6H	AY	SND6H	M8	HMY	N4	NNY
H4	HED4	CJ	CJD6	CL	CLD6	C9	CMD6	CN	CND6	J6	HJG	M6	LMG	QR	QR2
HA	HHED6	6H	HHJD6	HH	HLHD6	CH	CMD6H	C6	CND6H	J7	HJX	M3	LMX	Q4	QRH2
CF	CFD6	H9	HHJXD6	XH	HHLXD6	HM	HMD6	HN	HND6	J5	HJY	M9	LMY	Q5	HQR2
FD	FD6	H6	HJD6	HL	HLD6	HR	HMXD6	HT	HNXD6	J9	LJG	M4	NMG	Q6	HQR2H
FX	FXD6	H5	HJXD6	HO	HLXD6	HS	HMXD6H	HX	HNXD6H	J3	LJX	M1	NMX	Q7	QR2-MCS
HF	HFD6	H7	HJXD6H	HP	HLXD6H	—	—	—	—	J8	LJY	M7	NMY	—	—

® Standard bussing in P1, P2 and P3 panels is tin-plated for aluminum and copper.  
® Not available for Next Gen P1 NGB interiors.

# Panelboards

## Circuit Breaker / Lighting and Distribution

General

### Next Gen Type P1

**600Y/ 347 Vac Maximum  
400 Ampere Mains  
400 Ampere Maximum Branch  
Short Circuit Rating –  
200,000 A. @ 240 Vac / 100,000 A. @  
600Y/347 Vac. IR Maximum  
Branch Breaker Symmetrical  
Interrupting Capacity**

#### Based on CSA's Test Procedure

Feed thru and subfeed lugs may result in lower interrupting ratings if not protected by a main device. Consult sales office.

#### Panelboards

Certified by CSA under file #165172 and listed by Underwriters' Laboratories, Inc., under "Panelboards" File #E2269 for interiors and #E4016 for boxes and fronts.

#### Service

1-phase 2-wire - 120 Vac, 240 Vac,

1-phase 3-wire - 120/240 Vac,

3-phase 3-wire - 480Y/277 (when derived from 3-phase 4-wire system), 240 Vac, 120 Vac

3-phase 4-wire - 208Y/120 Vac, 480Y/277 Vac, 600Y/347 Vac, 380/220 Vac.

#### Panelboard Fronts and Doors

Standard panelboards are furnished with trim featuring concealed fasteners and hinges with a flush door lock. All are factory-assembled for ease of installation. Fronts are fabricated from code gauge steel and finished ANSI-61. See page <?> for optional fronts.

#### Main Breakers

BL, BLH, HBL, NGB, BQD, BQD6, ED4, ED6, HED4, QR2, QRH2, HQR2, HQR2H, FXD6, FD6, HFD6, HFXD6, JXD6, JD6, HJXD6, HJD6. (All main breakers except 400 amp frame are mounted horizontal.)

**Note: All Next Gen P1 interiors with BL, BQD or GB Type Mains are Back-fed in unit space (GB Type = NGB).BQD, BQD6**

#### Main Breaker Panel Connectors

Ampere Rating	Connectors Suitable for Cu or Al
100	(1) — #14 1/0 AWG
125	(1) — #4 1/0 AWG
225	(1) — #4 AWG-300 kcmil
250	(1) — #4/0 AWG-350 kcmil Al (1) — #6/0 AWG-350 kcmil Cu
400 <sup>①</sup>	(2) — #3/0 AWG-250 kcmil Al or (1) — #3/0 AWG-500 kcmil Al

Connector ranges indicated do not apply to all main breaker types. Refer to molded case circuit breaker standard pressure wire connector chart (Section 5) for the connector range of a specific frame.

#### Main Lug Connectors

125	(1) — #6 AWG-350 kcmil
250	(1) — #6 AWG-350 kcmil
400 std.	AL (2) 110-250 kcmil or (1) #2 AWG-600 kcmil
400 opt.	CU (2) 1/0-4/0 or (1) 110-600 kcmil
400 opt.	AL (1) AL 1/0-750 kcmil (2) AL/CU 250 kcmil max. [max. (1) 600 kcmil (1) wire]

#### Boxes

20" wide, 5.75" deep

- End walls are blank as standard.
- End walls with knockouts will be supplied at no charge on 5.75" deep panels if requested at time of order.

#### Main Breaker Gutter Dimensions - Inches

Main Breaker	Side Gutter		Neutral Location
	20" w/box	24" w/box	20" w/box
BL, BLH, HBL, BQD, BQD6	8.500	10.5	11.5
NGB	8.000	10	11.5
ED4, ED6, HED4	6.125	8.125	11.5
QR2, QRH2, HQR2, HQR2H	6.500	8.5	11.5
FD6, FXD6, HFD6, HFDX6	5.250	7.25	11.5
JD6 <sup>②</sup> , JXD6 <sup>②</sup>	15.000	15	26.75

#### Main Lug End Gutter Dimensions - Inches

Amp Rating	End Gutter	Neutral Location
125	10.500	11.5
250	10.500	11.5
400 <sup>③</sup>	25.500	26.75

#### Side Gutter Wiring Space - Inches

Reference Letter	Panel Width 20"	Panel Width 24" (Optional)
A	6.375	7.375
B	5.500	7.5
C	6.125	8.125
D	6.500	8.5
E <sup>④</sup>	5.250	7.25
F	5.000	7

#### Branch Breaker Side Gutters

← A →	BL, BLH, HBL	BL, BLH, HBL	← A →
← B →	BLF, BLHF	BLF, BLHF	← B →
← C →	BQD, BQD6	BQD, BQD6	← C →
← D →	ED, ED4, ED6, HED4		← D →
← E →	QJ2, QJH2, QJ2H QR2, QRH2, HQR2, HQR2H		← E →
← F →	FXD6, FD6, HFD6, HFDX6 <sup>⑤</sup>	NGB	← F →
	← F →	NGB	← F →

#### Weight — Approximate

Total panelboard weight when filled with a normal quantity of breakers and accessories is:

- About 3 lbs. per inch of box height

#### Gauge Steel Boxes (Type 1)

Width	Height	Gauge Steel
20"	All	#14

#### Fronts — Surface, Flush (Type 1)

20"	All	#14
-----	-----	-----

#### Series Connected Short Circuit Ratings

The term "Series Connected Short Circuit Rating" refers to the application of series connected circuit breakers in a combination that allows some breakers to have lower individual interrupting ratings than the available fault current. This is permitted as long as the series combination has been tested and certified by CSA.

The table below lists specific main and branch breaker series combinations that are marked on all P1 panels. All combinations shown have been tested for use in P1 panelboards and are CSA listed. Other combinations are available. See Circuit Breaker Section, of this book.

These series ratings must be specified on order at time of entry.

① P1 400 amp main breaker panels have wire bending space available for 600 kcmil.

② 400A main breaker is vertical mounted.

③ Feed-thru lug wire bending space is 15.000" (381mm) and neutral wire bending space is 15.880" (413mm) on 400A panel.

④ P1 panel limited to (1) subfeed 250 amperes max.

⑤ See Branch Breaker Side Gutter Chart for Nex Gen P1 Backfed Options.

For inches / millimeters conversion, see Application Data section.

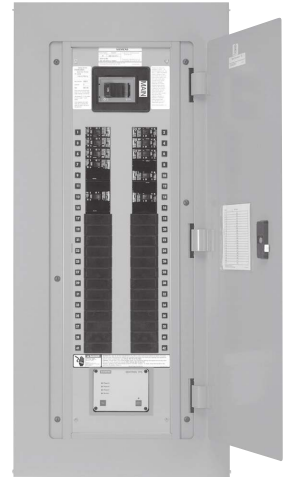
# Panelboards

## Circuit Breaker / Lighting and Distribution

Selection

Table P1-3 – Main Breaker Panel Size Selector – Next Gen P1

Max Ampere rating	Main Breaker Types	Connections suitable for Cu or Al	Max # Poles FT <sup>①</sup>	Max # Poles NFT	Dimensions in inches (mm)			Weight in Lbs. (kg)
					Unit Space		Box Height B	
					FT A	NFT A		
100	BL <sup>②</sup> , BLH <sup>②</sup> , HBL <sup>②</sup> , BQD <sup>②</sup> , BQD6 <sup>②</sup>	#8-#6 AWG Cu or Al #8-6 AWG Cu or #8-4 AWG Al #8-#1 AWG Cu or #6-#1/0 AWG Al	–	18	–	9	26 (661)	90 (41)
			18	30	9	15	32 (813)	105 (48)
			30	42	15	21	38 (965)	120 (55)
			42	54	21	27	44 (1118)	135 (61)
			54	66	27	33	50 (1270)	150 (67)
125	NGB <sup>②</sup>	15-30 amp: #14-#6 Cu or #12-#6 Al 35-125 amp: #6-1/0 Cu #4-2/0 Al	–	18	–	9	26 (661)	95 (43)
			18	30	9	15	32 (813)	110 (50)
	ED2, ED4	#14-#10 AWG Cu or #12-10 AWG Al	30	42	15	21	38 (965)	125 (57)
			42	54	21	27	44 (1118)	140 (64)
			54	66	27	33	50 (1270)	155 (71)
ED6, HED4	#3-3/0 Cu or #1-2/0 Al #3-3/0 Cu or #1-2/0 Al	66	–	33	–	56 (1423)	170 (78)	
		–	18	–	9	26 (661)	95 (43)	
225	QR2, QRH2, HQR2, HQR2H	#6 AWG-300 Kcmil (Cu) or #4 AWG-300 Kcmil (Al)	18	30	9	15	32 (813)	110 (50)
			30	42	15	21	38 (965)	125 (57)
			42	54	21	27	44 (1118)	140 (64)
250	FXD6, FD6, HFD6, HFXD6	#6 AWG-350 Kcmil (Cu) or #4 AWG-350 Kcmil (Al)	54	66	27	33	50 (1270)	155 (71)
			66	–	33	–	56 (1423)	170 (78)
			–	30	–	15	56 (1423)	172 (78)
400	JD6, JXD6, HJD6, HJXD6	3/0-500 Kcmil (Cu) or 4/0-500 Kcmil (Al)	30	42	15	21	62 (1575)	190 (86)
			42	54	21	27	68 (1728)	208 (95)
			54	66	27	33	74 (1880)	226 (104)
			–	30	–	15	56 (1423)	172 (78)



Note: Main breakers use breaker connectors. For sizes, see breaker connector chart. 400A MLO Panels have wire bend space for 600kcmil CU & AL wire when using standard lugs. With optional 750kcmil AL/CU connectors, wire bend space is available for up to 750kcmil AL wire, but is still limited to 600kcmil CU wire.

Table P1-4 – Main Breaker Selection

Ampere Rating	Breaker Types	Max. Ir (kA) at			Main Breaker Code	Additional Trip Values
		240 AC	480/277V AC	600Y/347V		
70	BQD6	65	–	10	B6	15, 20, 25, 30, 35, 40, 45, 50, 60, 70
100	BL (STD)	10	14	–	BL	15, 20, 25, 30, 35, 40, 45, 50, 60, 70, 80, 90, 100
	BLH	22	–	–	BH	15, 20, 25, 30, 35, 40, 45, 50, 60, 70, 80, 90, 100
	HBL	65	–	–	HB	15, 20, 25, 30, 35, 40, 45, 50, 60, 70, 80, 90, 100
	BQD	65	–	–	BQ	15, 20, 25, 30, 35, 40, 45, 50, 60, 70, 80, 90, 100
125	NGB (STD)	100	25	14	NB <sup>③</sup>	50, 60, 70, 80, 90, 100, 110, 125
	ED6 (STD)	65	25	18	E4	50, 60, 70, 80, 90, 100, 110, 125
	HED4	42	42	–	H4	50, 60, 70, 80, 90, 100, 110, 125
225	QR2	10	–	–	QR	100, 110, 125, 150, 175, 200, 225
	QRH2	25	–	–	Q4	100, 110, 125, 150, 175, 200, 225
	HQR2	65	–	–	Q5	100, 110, 125, 150, 175, 200, 225
	HQR2H	100	–	–	Q6	100, 110, 125, 150, 175, 200, 225
250	FXD6 (STD)	65	35	22	FX	70, 80, 90, 100, 110, 125, 150, 175, 200, 225, 250
	FD6	65	35	22	FD	70, 80, 90, 100, 110, 125, 150, 175, 200, 225, 250
	HFD6	100	65	25	HF	70, 80, 90, 100, 150, 175, 200, 225, 250
	HFXD6	100	65	25	H2	70, 80, 90, 100, 110, 125, 150, 175, 200, 225, 250
400	JXD2	65	–	–	JD	300, 400
	JXD6 (STD)	65	35	25	JX	200, 225, 250, 300, 350, 400
	JD6	65	35	25	J6	200, 225, 250, 300, 350, 400
	HJD6	100	65	35	H6	200, 225, 250, 300, 350, 400
	HJXD6	100	65	35	H5	200, 225, 250, 300, 350, 400

① 400A 66 circuit only available with non-feed thru versions.

② BL, BLH, HBL, BQD, BQD6, and xGB mount in unit space and count in max. # of poles.

③ xGB interiors are not available as non-feed-thru without sub-feed space.

# Panelboards

## Circuit Breaker / Lighting and Distribution

Selection

Table P1-5 - Main Lug Panel Size Selector - Next Gen P1

Maximum Ampere rating	Max # Poles FT	Max # Poles NFT	Dimensions in inches (mm)				Weight in Lbs. (kg)	MLO Connectors Suitable for
			Unit Space		Box Height B"			
			FT A	NFT A				
125 (or) 250	18	30	9	15	26 (661)	90 (41)	(1) #6 AWG - 350 kcmil (CU or AL)	
	30	42	15	21	32 (813)	105 (48)		
	42	54	21	27	44 (1118)	135 (61)		
	54	66	27	33	50 (1270)	150 (67)		
	66	-	33	-	56 (1423)	165 (73)		
400	-	30	-	15	56 (1423)	120 (55)	AL (2) 1/0 - 250 kcmil or (1) #2 AWG - 600 kcmil CU (2) 1/0 - 4/0 or (1) #2 AWG - 600 kcmil	
	30	42	15	21	62 (1575)	135 (61)		
	42	54	21	27	68 (1728)	150 (68)		
	54	66	27	33	74 (1880)	165 (75)		

Table P1-6 – Branch Circuit Breakers

Max. Amp Rating	Breaker Type	Number of Poles	Max. Interrupting Rating (kA)							Available Trip Values	Connections Suitable for Cu or Al	
			120V	120/240V	240V	277V	480/277V	347V	600Y/347V			
70	BQD6	1	-	65	-	-	-	-	10	-	15, 20, 25, 30, 35, 40, 50, 60, 70	15-40A #14-#6 AWG Cu #12-#6 AWG Al 45-70A #8-#1 AWG Cu #6-#1/0 AWG Al
		2	-	65	-	-	-	-	-	10	15, 20, 25, 30, 35, 40, 50, 60, 70	
		3	-	-	65	-	-	-	-	-	10	
100	BL	1	10	-	-	-	-	-	-	-	15, 20, 25, 30, 35, 40, 45, 50, 55, 60, 70	15-20A #14-#10 AWG Cu #12-#10 AWG Al 25-35A #8-#6 AWG Cu #8-#6 AWG Al 40-50A #8-#6 AWG Cu #8-#4 AWG Al 55-70A #8-#4 AWG Cu #8-#2 AWG Al 80-100A #4-#1/0 AWG Cu #2-#1/0 AWG Al
		2	-	10	-	-	-	-	-	-	15, 20, 25, 30, 35, 40, 50, 60, 70, 80, 90, 100	
		3	-	-	10	-	-	-	-	-	-	
	BLR	2	-	-	10	-	-	-	-	-	15, 20, 30, 40, 50, 60, 70, 90, 100	
		2	10	-	-	-	-	-	-	-	15, 20, 30	
	BLH	1	-	22	-	-	-	-	-	-	15, 20, 30, 40, 50, 55, 60, 70	
		2	-	22	-	-	-	-	-	-	15, 20, 30, 40, 50, 60, 70, 90, 100	
		3	-	-	22	-	-	-	-	-	15, 20, 30, 40, 50, 60, 70, 80, 90, 100	
	HBL	1	-	65	-	-	-	-	-	-	15, 20, 30, 40, 50	
		2	-	65	-	-	-	-	-	-	15, 20, 30, 40, 50, 60, 70	
		3	-	-	65	-	-	-	-	-	15, 20, 30, 40, 50, 60, 70, 80, 90, 100	
	BLF2	1	10	-	-	-	-	-	-	-	15, 20, 30	
		2	-	10	-	-	-	-	-	-	15, 20, 30, 40, 50, 60	
	BLHF2	1	22	-	-	-	-	-	-	-	15, 20, 30	
		2	-	22	-	-	-	-	-	-	15, 20, 30, 40, 50, 60	
	HBLF2	1	65	-	-	-	-	-	-	-	15, 20, 30	
BLE	1	10	-	-	-	-	-	-	-	15, 20, 30		
	2	-	10	-	-	-	-	-	-	15, 20, 30, 40, 50, 60		
BLEH	1	22	-	-	-	-	-	-	-	15, 20, 30		
	2	-	22	-	-	-	-	-	-	15, 20, 30, 40, 50, 60		
BAF	1	10	-	-	-	-	-	-	-	15, 20		
BAFH	1	22	-	-	-	-	-	-	-	15, 20		
BQD	1	-	65	-	14	-	-	-	-	15, 20, 25, 30, 35, 40, 50, 60, 70, 80, 90, 100	15-40A #14-#6 AWG Cu #12-#6 AWG Al 45-100A #8-#1 AWG Cu #6-#1/0 AWG Al	
	2	-	65	-	-	14	-	-	-	15, 20, 25, 30, 35, 40, 50, 60, 70, 80, 90, 100		
	3	-	-	65	-	14	-	-	-	15, 20, 25, 30, 35, 40, 50, 60, 70, 80, 90, 100		
125	NGB <sup>②③</sup>	1	100	-	-	25	-	14	-	15, 20, 25, 30, 35, 40, 50, 60, 70, 80, 90, 100, 125 <sup>③</sup>	15-30A #14-#6 Cu #12-#6 Al 35-125 #6-1/0 Cu #4-2/0 Al	
		2	-	100	100	-	25	-	14	15, 20, 25, 30, 35, 40, 50, 60, 70, 80, 90, 100, 125 <sup>③</sup>		
		3	-	100	100	-	25	-	14	15, 20, 25, 30, 35, 40, 50, 60, 70, 80, 90, 100, 125 <sup>③</sup>		

① Two-pole breaker is one phase and neutral. Three-pole is two phases and neutral.

② P1 panel with NGB branch devices will not accept BL or BQD frames in the same panel as branch devices.

③ The New Next Gen P1 (18 circuit 250A only) is limited to 100A per connection (200A per pair) when installing Branch Breakers across from one another.

All other configurations allow 125A per connection max. (250A per pair max.)

NOTE: BL, HBL and BQD breakers are mounted in common mountings in 3" or (6) pole increments.



# Panelboards

## Circuit Breaker / Lighting and Distribution

Dimensions

Table P1-7 – Subfeed Breakers

Breaker Type	Number of Poles	Max. Interrupting Rating (kA)			Available Trip Values
		240V	480Y/277V	600Y/347V	
QR2	2, 3	10	–	–	100, 110, 125, 150, 175, 200, 225
QRH2	2, 3	25	–	–	100, 110, 125, 150, 175, 200, 225
HQR2	2, 3	65	–	–	100, 110, 125, 150, 175, 200, 225
HQR2H	2, 3	100	–	–	100, 110, 125, 150, 175, 200, 225
ED6	2, 3	65	18	18	15, 20, 25, 30, 35, 40, 45, 50, 55, 60, 70, 80, 90, 100, 110, 125
HED4	2, 3	100	42	–	15, 20, 25, 30, 35, 40, 45, 50, 55, 60, 70, 80, 90, 100, 110, 125
FXD6	2, 3	65	35	22	70, 80, 90, 100, 110, 125, 150, 175, 200, 225, 250
FD6	2, 3	65	35	22	70, 80, 90, 100, 110, 125, 150, 175, 200, 225, 250
HFD6	2, 3	100	65	22	70, 80, 90, 100, 110, 125, 150, 175, 200, 225, 250
HFXD6	2, 3	100	65	25	70, 80, 90, 100, 110, 125, 150, 175, 200, 225, 250

Table P1-8 – Breaker Mounting Kit  
Main or Subfeed Strap Kit w/o Breaker

Amp Rating	Breaker Types	Service	Original P1 Cat. No.	Next Gen P1 Cat. No.
100A	BL, BLH, HBL	1-Phase	MBKBL1	Use Back-fed Main Label Kit # MBKBFA <sup>®</sup>
		3-Phase	MBKBL3	
100A	BQD	1-Phase	–	
		3-Phase	–	
125A	NGB	1-Phase	MBKNB1	
		3-Phase	MBKNB3	
125A	ED4, ED6, HED4, HED6	1-Phase	MBKED1	MBKED1A
		3-Phase	MBKED3	MBKED3A
225A <sup>③</sup>	QR2, QRH2, HQR2, HQR2H	1-Phase	MBKQR1	MBKQR1A
		3-Phase	MBKQR3	MBKQR3A
250A	FXD6, FD6, HFD, HFXD6	1-Phase	MBKFD1	MBKFD1A
		3-Phase	MBKFD3	MBKFD3A
400A <sup>①</sup>	JXD6, JD6, HJD6, HJXD6	1-Phase	MBKJD1	MBKJD1A
		3-Phase	MBKJD3	MBKJD3A

① 400 amp kit is for main—only, not allowed for subfeed breaker.  
 ② MBKBFA kit is available to mount BL/BQD/NGB 2-pole or 3-pole in unit space as a "Back-Fed Main". This occupies branch space and reduces circuit count by 2 or 3 positions. (includes Neutral Lug, "MAIN" label and instructions).  
 ③ Although QR is rated 250A, it is limited to 225A in panelboard.

Table P1-9 – Lug Kits (Main or Feed-Thru)

Amp Rating	Matl.	Wire Range (includes Neutral)	Service	Original Catalogue Number	Nex Gen P1 Catalogue Number
250	AL	(1) #6 AWG-350 kcmil (CU or AL)	1 Phase	MLKA1	MLKA1A
			3 Phase	MLKA3	MLKA3A
	CU	(1) #6 AWG-350 kcmil (CU or AL)	1 Phase	MLKC1	MLKC1A
			3 Phase	MLKC3	MLKC3A
400	AL	(2) 1/0 - 250 kcmil or (1) #2 AWG-600 kcmil	1 Phase	4MLKA1	4MLKA1A
			3 Phase	4MLKA3	4MLKA3A
	CU	(2) 1/0 - 4/0 or (1) 1/0 - 600 kcmil	1 Phase	4MLKC1	4MLKC1A
			3 Phase	4MLKC3	4MLKC3A
400	AL	(1) AL 1/0-750 kcmil (2) AL/CU 250kcmil max. [max.(1) 600 kcmil CU wire]	1 Phase	–	4MLKA1B
			3 Phase	–	4MLKA3B

NOTES:  
 ① Original P1 kits will not work with Next Gen P1 interiors if the chart shows different part numbers for each.  
 ② Next Gen P1 kits will not work with Original P1 interiors if the chart shows different part numbers for each.

Table P1-10 – Copper Neutral Lug Kits – 250A

No. of Circuits	Description	Original P1 Catalogue Number	Nex Gen P1 Catalogue Number
18	2 or 4 Branch Neutral Strips, 1 Main Neutral Lug, Hardware	CNLK18	Use 30 ckt kit
30		CNLK30	CNLK30A
42		CNLK42	CNLK42A
54, 66		–	CNLK54A

Table P1-10A – 2/0 Neutral Lug Kits – 250A and 400A

No. of Circuits	Description	Original P1 Catalogue Number	Nex Gen P1 Catalogue Number
18	2 or 4 Branch Neutral Strips, Hardware	–	Use 30 ckt kit
30		–	LNLK30A
42		–	LNLK42A
54, 66		–	LNLK54A

Table P1-11 – 200% Neutral Lug Kits – 250A

No. of Circuits	Description	Original P1 Catalogue Number	Nex Gen P1 Catalogue Number
18	2 or 4 Branch Neutral Strips, 2 Main Neutral Lugs, Hardware	2NLK18	Use 30 ckt kit
30		2NLK30	2NLK30A
42		2NLK42	2NLK42A
54, 66		–	2NLK54A

Table P1-12 – 200% Neutral Lug Kits – 400A

No. of Circuits	Description	Original P1 Catalogue Number	Nex Gen P1 Catalogue Number
18	2 or 4 Branch Neutral Strips, 1 Main 600 kcmil Neutral Lug, Hardware	42NLK18	N/A
30		42NLK30	42NLK30A
42		42NLK42	42NLK42A
54, 66		–	42NLK54A



# Panelboards

## Type P1 Panelboards

General

**Table P1-13 – Main Breaker Gutter Dimensions Inches (mm)**

Main Breaker	Max. Interrupting Rating (kA)		Neutral Location
	20" wide box	24" wide box	20" wide box
BL, BLH, HBL, BQD, BQD6 <sup>②</sup>	8.500 (216) <sup>③</sup>	10.500 (267) <sup>③</sup>	10.500 (267)
NGB	8.000 (203) <sup>③</sup>	10.000 (254) <sup>③</sup>	10.500 (267)
ED2, ED4, ED6, HED4	6.125 (156)	8.125 (206)	10.500 (267)
QR2, QRH2, HQR2, HQR2H	6.500 (165)	8.500 (216)	10.500 (267)
FD6, FXD6, HFD6, HFXD6	5.250 (133)	7.250 (184)	10.500 (267)
JD6, JXD6 <sup>①</sup>	15.000 (381)	15.000 (381)	26.500 (674)

<sup>①</sup> JD frame mounted vertically.

<sup>②</sup> For Next Gen P1, use Side Gutter Wiring Specs Table P1-15. These are back-fed main breakers.

<sup>③</sup> These dimensions are for Original P1 as a reference only, not for Nex Gen P1.

**Table P1-14 – Main Lug End Gutter Dimensions Inches (mm)**

Amp Rating	End Gutter		Neutral Location	
	20" wide box	24" wide box	20" wide box	24" wide box
125	9.500 (242)	9.500 (242)	10.500 (267)	10.500 (267)
250	9.500 (242)	9.500 (242)	10.500 (267)	10.500 (267)
400	25.500 (648)	25.500 (648)	26.750 (680)	26.750 (680)

NOTE: Feed-thru lug and neutral wire bending space is 15.000" and 16.250" respectively on 400A panel.

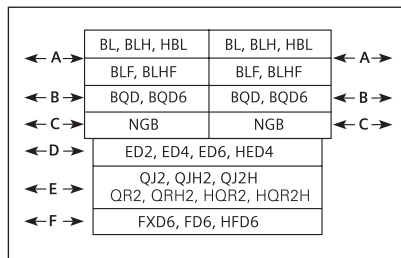
**Table P1-15 – Side Gutter Wiring Space Inches (mm) (Fig P1-1)**

Reference Letter	Panel Width 20"	Panel Width 24" Optional
A <sup>②</sup>	6.375 (167)	8.375 (213)
B <sup>②</sup>	5.500 (140)	7.500 (191)
C <sup>②</sup>	5.000 (127)	7.000 (178)
D	6.125 (156)	8.125 (206)
E	6.500 (165)	8.500 (216)
F	5.250 (133)	7.250 (184)

<sup>①</sup> Subfeed mounting limit per panel.

<sup>②</sup> For all Nex Gen P1 panels using BL/BQD or xGB breakers as mains in back-fed position, use this chart for wiring space.

**Fig P1-1**



Panel Width  
20 in. (508 mm)

## Miscellaneous Parts and Accessories

Catalogue No.	Description
BK1	Bonding Kit for 400A max. Original P1 Panels
BK1A	Bonding Kit for 400A max. Next Gen P1 Panels
BK2	Bonding kit for S1/S2 400 & 600
BK3	Bonding kit
IMK1	Interior Adjusting Kit
9271-1	Directory Card Holder
MCHK	Metal Card Holder Kit
NBK03	Number Strips 1–42. Stick-on type; Use w/ P1 series Panels
NBK04	Number Strips 43–84. Stick-on type; Use w/ P1 series Panels
NBK05	Number Strips 85–126. Stick-on type; Use w/ P1 series Panels
NBK06	Number Strips 127–168. Stick-on type; Use w/ P1 series Panels
EGK	AL Ground Bus 44 Connections
ECGK	CU Ground Bus 44 Connections
IGK	Insulated AL Ground Bus
ICGK	Insulated CU Ground Bus
EWK1	End Wall Kit with Knockouts (20" W x 5.75" DP)
P1SCRWS	Package of 42 breaker mounting screws for P1
DFFP1A	1" Branch circuit filler plate (suitable for replacing QF3 in P1 thru P5 Panelboards and Switchboards)
P1CONBPHCU <sup>①</sup>	Connector kit – 6 pcs. B-phase Copper
P1CONBPHAL <sup>①</sup>	Connector kit – 6 pcs. B-phase Aluminum
P1CONACPHCU <sup>①</sup>	Connector kit – 6 pcs. A or C-phase Copper
P1CONACPHAL <sup>①</sup>	Connector kit – 6 pcs. A or C-phase Aluminum
MBKQRFK	P1/Next Gen P1 Filler for 1PH/3PH QR. Horizontal mount only.
TPS9IKITP1	P1 mounting bracket for SPD TPS3 09

<sup>①</sup> Replacement parts only.

**Table P1-18 – Standard Enclosures**

Box Height (in.)	Catalogue Number				
	Type 1 Standard Trim			Type 3R <sup>②</sup>	Type 3R/12 <sup>②</sup>
	Box <sup>③</sup>	Surface <sup>④</sup>	Flush <sup>④</sup>		
26	B26	S26B	F26B	NR26	WP26
32	B32	S32B	F32B	NR32	WP32
38	B38	S38B	F38B	NR38	WP38
44	B44	S44B	F44B	NR44	WP44
50	B50	S50B	F50B	NR50	WP50
56	B56	S56B	F56B	NR56	WP56
62	B62	S62B	F62B	NR62	WP62
68	B68	S68B	F68B	NR68	WP68
74	B74	S74B	F74B	NR74	WP74

<sup>①</sup> 16 GA std., Optional 14 GA & 12 GA Enclosures only.

<sup>②</sup> 14 Gauge Steel only.

<sup>③</sup> 16 Gauge Can w/ 14 Gauge Front.



Feed-Thru (FT)



Non-Feed-Thru (NFT)



Example of Back-fed NGB Main breaker installed

# Panelboards

## Type P1 Panelboard Modifications and Additions

*Selection*

### Panel Options

#### Enclosures

- Extra gutter to sides or ends of the can
- 24" wide boxes
- Hinged trims
- Door-in-door trims
- Screw to the box trims
- Piano hinge trims
- Painted boxes
- Custom colors
- Stainless steel trims and boxes
- Type 1 enclosures (Std 16 Gage)
- Type 3R/12 enclosures 16 Gauge Can w/ 14 Gauge front)
- Type 4 enclosures (14 Gauge only)
- Type 4X enclosures (14 Gauge only - 304SS Std, 316SS Optional)
- Panel skirts
- Gaskets between trim and box

#### Surge Protection Devices

- TPS3 02
  - Bus connected
  - Internally mounted (30A breaker required to feed SPD)
  - Externally mounted in a 15" high aux. enclosure (30A breaker required to feed SPD)
- TPS3 09
  - Internally mounted (20A breaker required to feed SPD)
  - Externally mounted (20A breaker required to feed SPD)
- TPS3 12
  - Externally mounted (40A breaker required to feed SPD)

### Panel Modifications

#### Enclosures

- Main Bus  
Standard main bus is tin-plated aluminum. For copper main bus, add from the table for each panel. Includes copper neutral cross bar. For copper neutral branch lugs, see miscellaneous.
- Compression lug for MLO<sup>®</sup>
- Contactor mains - Mount in 23" enclosure ahead of panel.
  - Asco 920 through 225 amps<sup>®</sup>
  - Asco 911 through 150 amps<sup>®</sup>
  - Siemens LEN through 30 amps<sup>®</sup>
- Branch and main breaker accessories
  - Handle blocks
  - Handle locks
- Feed-thru lugs<sup>®</sup>  
Cannot be used in conjunction with SPD/TVSS or subfeed breakers. Do not add height to the panel.

- Copper lugs, mechanical line and branch neutral<sup>®</sup>
- Bus mounted SPD/TVSS<sup>®</sup>
- Grounding of Panelboards  
Ground Bars except for brazed to box are shipped with the panel interior factory mounted.
  - Non-Insulated Equipment Ground Bar – Standard
  - Copper Non-Insulated Ground Bar
  - AL Insulated Equipment Ground Bar
  - CU Insulated Equipment Ground Bar
- Shunt Trip on Main or Branch  
BL<sup>®</sup>, BLH<sup>®</sup>, HBL<sup>®</sup>, BQD<sup>®</sup>, NGB<sup>®</sup> as branch use  
1" unit space for shunt trip.

QR2, QRH2, HQR2, HQR2H, ED2, ED4, ED6,  
HED4, FD6, FXD6, HFD6  
HFXD6, JXD6, JD6, HJD6, HJXD6

Feed-thru Lugs Amp Rating	Type	Connector CU/AL Range
250	AL/CU Mechanical	(1)-#6 AWG- 350 kcmil
	CU Mechanical	(1)-#6 AWG- 350 kcmil
	AL/CU Compression	(1)-#6 AWG- 350 kcmil
400	AL/CU AWG Mechanical	(2)-#1/0 - 250 kcmil or (1)-#2 AWG- 600 kcmil
	CU	(1)-1/0-600 kcmil (2)-1/0-4/0
	AL/CU Compression	(1) 400-600 kcmil AL (1) 400-500 kcmil CU

- 200% neutral<sup>®</sup>

**NOTE:** Specify copper or aluminum cable.

<sup>®</sup> Do not increase panel or enclosure size.

<sup>®</sup> Accessories on 1" pole breakers (BL, BQD, xGB, ED) will take 1" unit space.

<sup>®</sup> External to the panel, supplied in a separate enclosure.

# Panelboards

## Type P1 Panelboard Modifications and Additions

Reference

### Compression Lugs

Table P1-19 – Lugs

Style	Amp Rating	Breaker Type	Compression Connectors	Box Height Addition
MLO	125	N/A	(1) #6 AWG - 350 kcmil	None
	250			
	400	N/A	(1) 400 - 600 kcmil AL (1) 400 - 500 kcmil CU	None
Main Breaker	125	ED4, ED6, HED4	(1) #14 AWG - 2/0	Box must go to 24" wide
	225	QR2, QRH2, HQR2, HQR2H	(1) #6 AWG - 350 kcmil CU or AL	Box must go to 24" wide for All breakers
	250	FXD6, HFD6	(1) #6 AWG - 350 kcmil CU or AL	Box must go to 24" wide for All breakers

**NOTE:** Standard compression lugs used for P1 panels are range taking lugs and require a particular crimping tool (tool is Hubbell/Anderson Versa Crimp VC6 -for 250A) to accommodate the range. Consult factory for information. 200% neutral not available with compression lugs. xGB breakers cannot accommodate compression lugs. (For 400A tool use Hubbell/Anderson Versa Crimp VC6FT/VC7FT - see instruction sheet for details.)

### Enclosure Modifications

#### Type-4–Water Tight, Dust Tight, Steel Enclosure

(Actual Type-4 enclosure is larger than standard Type 1 enclosure. See chart below for reference to approximate actual size.)

Table P1-20

Standard Box Height (in inches)	Actual NEMA 4 Enclosure Size		
	H	W	D
32	32	20	8
38	42	30	8
44	48	36	8
56	60	36	10

**NOTE:** Larger Type 4 enclosures are not available.

### Remote Switch Modifications

Table P1-22 – Control Power Transformer

Size	VA Relay
0, 1	50
2	75
3	150
4	250

Table P1-24 – Remote Control Switch Modification

Description
Auxiliary Contacts (mounted, not wired)
2-Wire Control

#### Type-4X For Type P1

Water Tight, Dust Tight and Corrosion Resistant (consult plant to verify actual enclosure size)

Table P1-21

Catalogue Number	Enclosure – Stainless Steel Size (inches) (304SS is standard)		
	H	W	D
B4X26	26	20	5.75
B4X32	32	20	5.75
B4X38	38	20	5.75
B4X44	44	20	5.75
B4X50	50	20	5.75
B4X56	56	20	5.75
B4X62	62	20	5.75
B4X68	68	20	5.75
B4X74	74	20	5.75

**NOTE:** 316SS is available as an option – must be specified.

Table P1-23 – Applications for a Remote Switch

Switch Type	Modification
920	Mounts in 23" relay cabinet as a main only
LEN	30A mounts in 23" relay cabinet as a main only

#### Gauge Steel of Boxes/Fronts, Surface and Flush

Dimensions in Inches (mm)		Gauge Steel		
H	W	Box	Front/Door	Type
26-74 (660-1880)	20 (508)	16 <sup>①</sup>	14 <sup>③</sup>	Type 1
26-74 (660-1880)	20 (508)	16 <sup>②</sup>	16/14 <sup>②</sup>	Type 3R/12
32-60 (813-1524)	20-36 (508-914)	14 <sup>③</sup>	14 <sup>③</sup>	Type 4
26-74 (660-1879)	20 (508)	14 <sup>④</sup>	14 <sup>④</sup>	Type 4X
36-60 (914-1524)	30-36 (762-914)	N/A <sup>⑤</sup>	N/A <sup>⑤</sup>	Type 4X Non-Metallic

① 16 Gauge is Standard (14 Gauge & 12 Gauge are optional)

② 15 Gauge Steel Can with 14 Gauge Door or Similar Approved Construction

③ No Optional Gauge available

④ 304SS 14 Gauge Std., 316SS 14 Gauge optional

⑤ Sizes do not match Standard Enclosure Sizes - See Table P1-21 - material is non-metallic - No Gauge Specified.

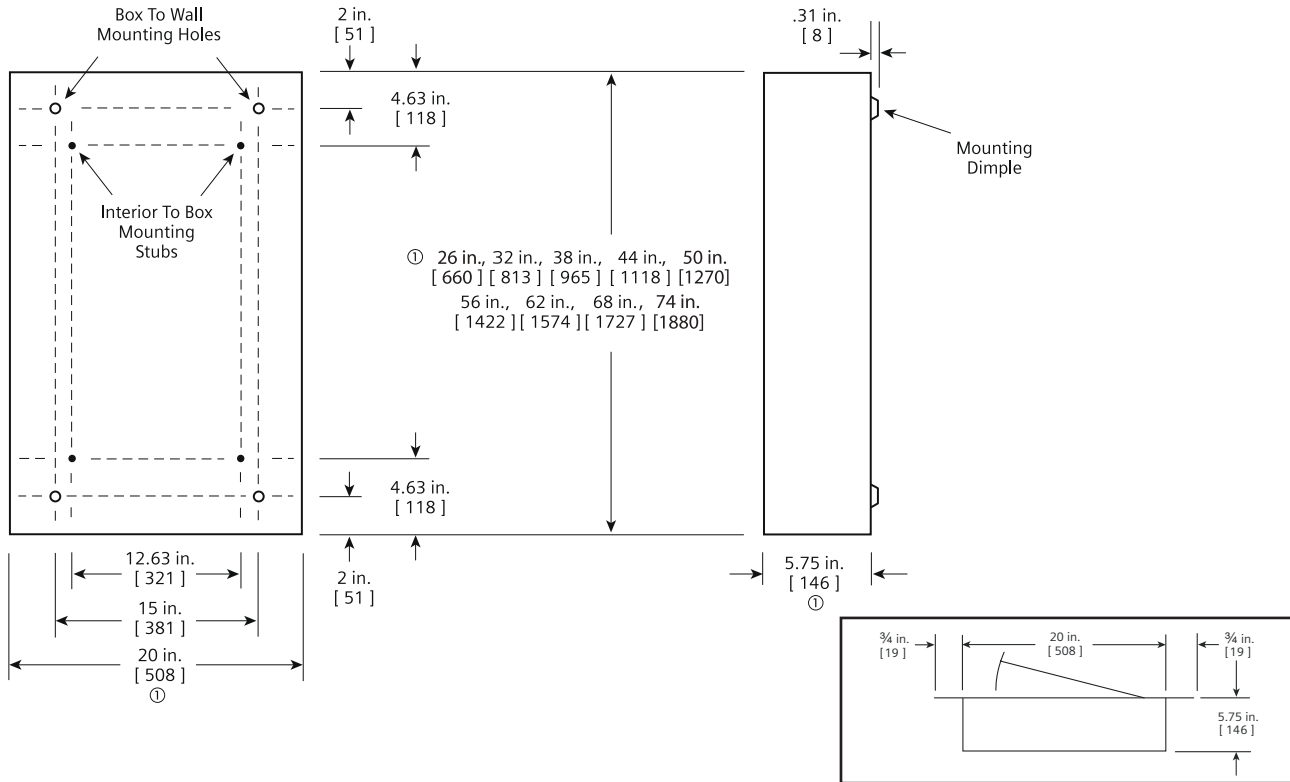
# Panelboards

## Type P1 Enclosure Details

*Dimensions*

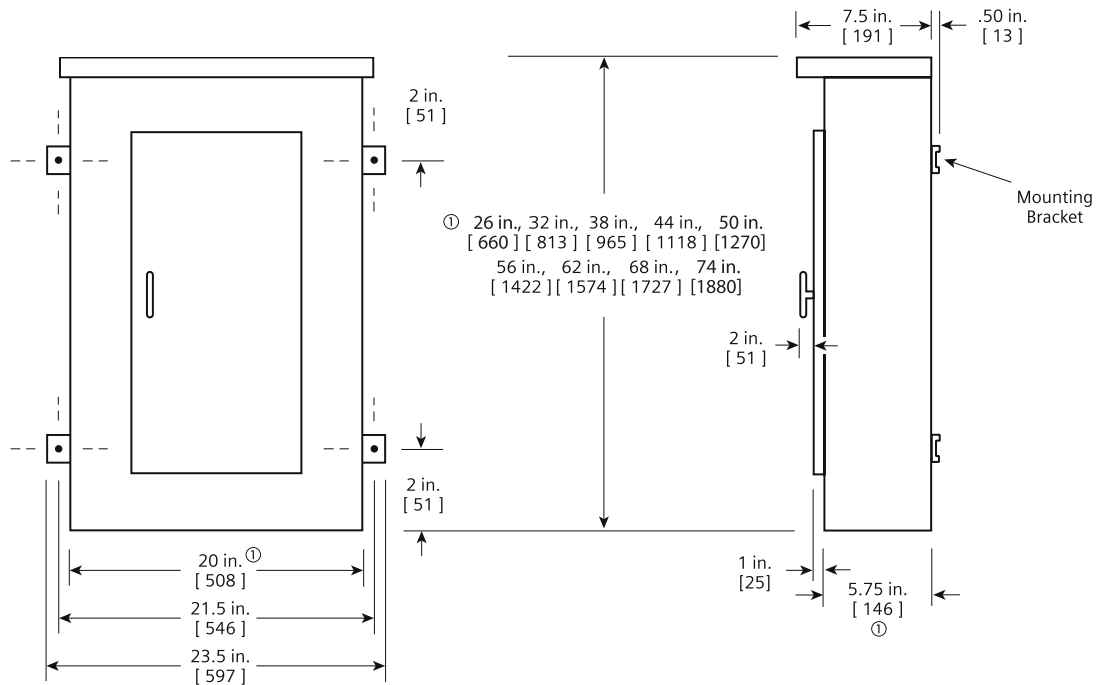
### Type 1 Box

Box is symmetrical



### Flush Mounting

### Type 3R and 3R/12 Box



Ⓢ Dimensions are interior of the box. Add 5/8" to width for absolute dimension. Add 1/8" to height for absolute dimension.

Dimensions shown in inches and millimeters [ ].

# Panelboards

## Type P2 Panelboards

General

### Features

Flexibility is the hallmark of the P2 panel. This panel offers a wide array of factory-assembled options to meet almost all lighting panel applications. With this design, the ability to mix breaker frames in unit space up to 250 amps will also meet many distribution panel requirements in a much smaller package. Bussing options for the P2 vary from aluminum to copper. Standard bussing in the P2 panel is tin-plated. Silver-plated copper is also offered as an option. Subfeed lugs (up to 400 amp) are just a few of the options of this unique panel.

Like a lighting panel, P2 is set up around 18, 30, 42, 54, 66, 78, and 90 circuit configurations. It will also allow the user to configure the panel to the smallest possible size. The P2 panel starts with 9" of unit space (18 circuits of 1" pole breakers). Breakers mounted in unit space can be mixed and matched to meet customer requirements. All 1" pole breakers (BL, BQD, ED frames) are mounted in 3" or 6" pole increments. Breaker frames, above 125 amps, are mounted in 6" single breaker mountings. As an example of a minimum panel, (6) 20 amp 1-pole BL breakers (3" of unit space) and a 3-pole 225 amp QR breaker (6" of unit space) equaling 9" of unit space can be configured in a P2 panel

without any extra provisions or space required. FD 250 amp and JD 400 amp breakers are mounted as subfeed breakers outside of unit space.

Another unique feature of the P2 panel is that blank unit space can be added to allow for future expansions or modifications. Any expansions or modifications must be in 3" increments. BL, BQD, and ED frame breakers have 3" or 6" pole kits, and can be mixed in unit space by these increments. Breakers of the same frame can cross from one mounting to another if contiguous. QR frame breakers are mounted in 6" increments for two- and three pole, single mounted units. Changes in the unit space length for BL, BQD, or ED frame breakers require an addition deadfront, center strip kit. Check with sales or the factory for additional unit space kits.

### Main Lug / Main Breaker

**Enclosure** – Standard Type 1 enclosure is 20" wide x 5.75" deep. Box Height is determined by main device and unit space. See charts for box height.

**Voltage** – 600V AC max.  
250V DC max.

**Amperage** – 600 amp max.

**Short circuit rating** – 200 KAIC max. symmetrical or equal to the lowest rated device installed unless a series rating is indicated. Panels with subfeed or feed-thru lugs without a main device, circuit breaker or fusible unit, are limited to a three-cycle rating. The three-cycle rating for the P2 panel is limited to 22 KAIC. Note that the main device may be mounted remote from the panel.

**Bussing** – The P2 panel has more options to meet market requirements. The standard bussing is temperature rated aluminum. The rating is per the requirements of CSA C22.2 No.29 – the standard for panelboards. All aluminum bussing is tin-plated. Optional bussing for the P2 panel is copper. The copper bus option for this panel is tin-plated as standard or silver.

### Weight – Approximate

Total panelboard weight when filled with a normal quantity of breakers and accessories is about 3 lbs. (1 kg) per inch (54g per mm) of box height.

### Gauge Steel of Boxes/Fronts, Surface and Flush

Dimensions in Inches (mm)		Gauge Steel		
Width	Height	Box	Front/Door	Type
20 (508)	26-74 (660-1880)	14	14	Type 1
20 (508)	26-74 (660-1880)	16 <sup>②</sup>	16/14 <sup>②</sup>	Type 3R/12
20-36 (508-914)	32-60 (813-1524)	14	14	Type 4
20 (508)	26-74 (660-1879)	14 <sup>③</sup>	14 <sup>③</sup>	Type 4X

① 16 Gauge is Standard (14 Gauge & 12 Gauge are optional)

② 15 Gauge Steel Can with 14 Gauge Door or Similar Approved Construction

③ 304SS 14 Gauge Std., 316SS 14 Gauge optional

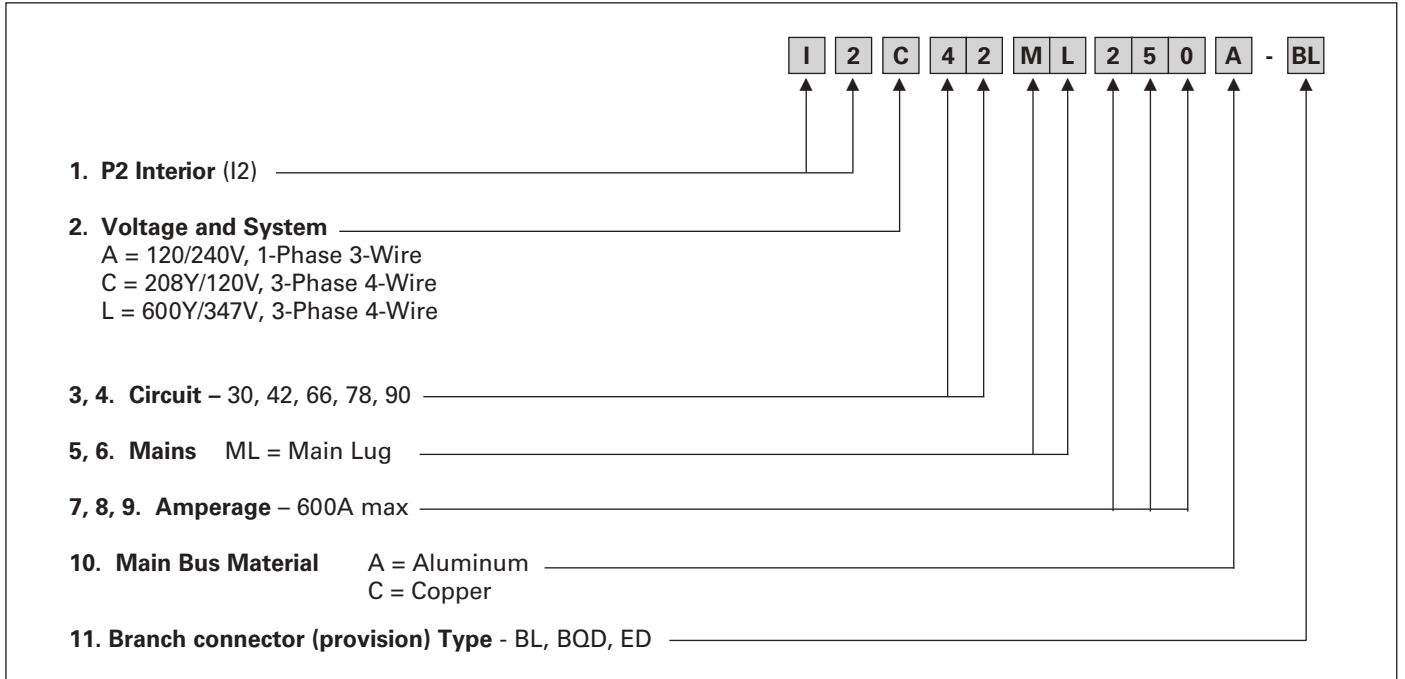
# Panelboards

## Distributor Stock - Type P2 Main Lug Only

Reference

### Interior Numbering System

Type P2 unassembled panelboards are available as main lug only and come with provisions for the branch breaker type selected.



### Branch Breakers

Panel Type	Voltage (Max.)	Breaker Type	Power Product Catalogue Page
P2	240	BL, BLH, HBL, BQD	See section 5
	600/347	BQD6, ED6	

# Panelboards

## Distributor Stock - Type P2 Main Lug Only

*Selection*

Interior, Box and Trim Selection

**600A Max. — 20" Wide x 5.75" Deep**

1. Determine voltage, system, amperage and type of branch breaker connectors to select the appropriate Interior from the table below.
2. Select the type of box and trim needed.
3. List required branch circuit breakers: Type BL, BQD or ED breakers.

### Type P2 Unassembled Panelboards

Interiors Only - Less Branch Breakers				Boxes			Trim		
Amperes Rating Mains	Max. No. of Circuits	Provision Type	Main Lug + provisions	Height - Inches (mm)	Type 1	Type 3R/12 <sup>①</sup>	Surface	Flush <sup>②</sup>	
<b>1-Phase, 3-Wire</b>									<b>120/240V</b>
250	66	BL/BQD	I2A66ML250A-BL	56 (1422)	B56 B62	WP56 WP62	S56B S62B	F56B F62B	
	78		I2A78ML250A-BL	62 (1575)					
400	42	BL/BQD	I2A42ML400A-BL	50 (1270)	B50 B62	WP50 WP62	S50B S62B	F50B F62B	
	66		I2A66ML400A-BL	62 (1575)					
<b>3-Phase, 4-Wire</b>									<b>208Y / 120V</b>
250	42	BL/BQD	I2C42ML250A-BL	44 (1118)	B44 B56 B62	WP44 WP56 WP62	S44B S56B S62B	F44B F56B F62B	
	66		I2C66ML250A-BL	56 (1422)					
	78		I2C78ML250A-BL	62 (1575)					
400	42	BL/BQD	I2C42ML400A-BL	50 (1270)	B50 B62 B68 B74	WP50 WP62 WP68 WP74	S50B S62B S68B S74B	F50B F62B F68B F74B	
	66		I2C66ML400A-BL	62 (1575)					
	78		I2C78ML400A-BL	68 (1727)					
	90		I2C90ML400A-BL	74 (1880)					
600	66	BL/BQD	I2C66ML600A-BL	62 (1575)	B62	WP62	S62B	F62B	
<b>3-Phase, 4-Wire</b>									<b>600Y / 347V</b>
250	30	ED	I2L30ML250A-ED	38 (965)	B38	WP38	S38B	F38B	
	42	ED	I2L42ML250A-ED	44 (1118)	B44	WP44	S44B	F44B	
	66	BQD6	I2L66ML250A-BQD	56 (1422)	B56 B56	WP56 WP56	S56B S56B	F56B F56B	
		ED	I2L66ML250A-ED	56 (1422)					
78	BQD6	I2L78ML250A-BQD	62 (1575)	B62 B62	WP62 WP62	S62B S62B	F62B F62B		
	ED	I2L78ML250A-ED	62 (1575)						
400	42	BQD6	I2L42ML400A-BQD	50 (1270)	B50 B50	WP50 WP50	S50B S50B	F50B F50B	
		ED	I2L42ML400A-ED	50 (1270)					
	66	BQD6	I2L66ML400A-BQD	62 (1575)	B62 B62	WP62 WP62	S62B S62B	F62B F62B	
		ED	I2L66ML400A-ED	62 (1575)					
78	BQD6	I2L78ML400A-BQD	68 (1727)	B68 B68	WP68 WP68	S68B S68B	F68B F68B		
	ED	I2L78ML400A-ED	68 (1727)						
90	BQD6	I2L90ML400A-BQD	74 (1880)	B74 B74	WP74 WP74	S74B S74B	F74B F74B		
	ED	I2L90ML400A-ED	74 (1880)						
600	66	BQD6 ED	I2L66ML600A-BQD I2L66ML600A-ED	62 (1575) 62 (1575)	B62 B62	WP62 WP62	S62B S62B	F62B F62B	

① Hinged door included with type 3R/12 enclosures.

② Flush trims extend 3/4" beyond each side of the base box dimensions.



# Panelboards

## Type P2 Panelboards

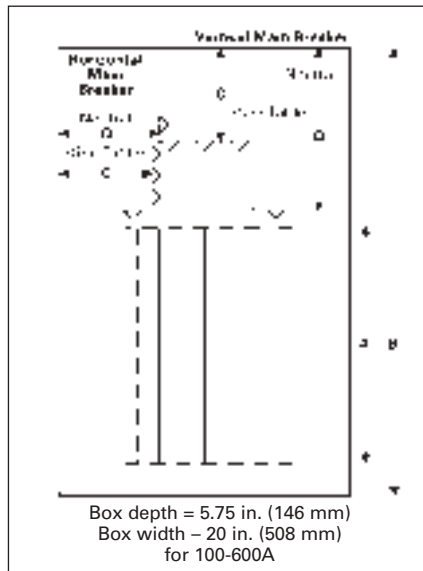
*Selection/Dimensions*

### Standard Circuit P2 Panels

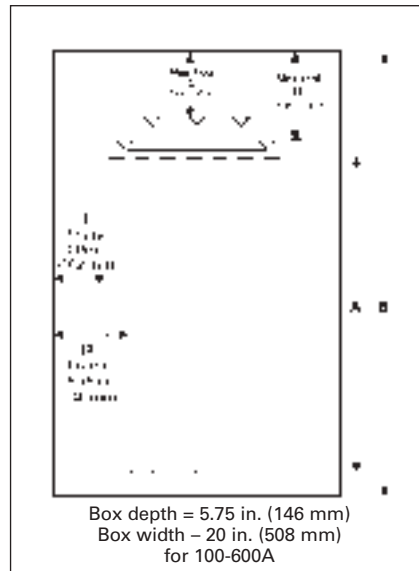
Base Box Size Requirements for P2 Panels with Standard Line Lugs. Unit Spaces range from 9" to 45" (in 6" increments). Boxes range from 26" to 74" high (in 6" increments). Inclusion of optional modifications may require size increases that must be added to these base values to calculate the final box size for the panel (see pages 6-28, 10-31). Values in brackets [ ], at the bottom of each column, indicate the maximum allowable 1" module branch poles for each main type.

"B" Dimension Box Height	P2 Panels with Standard Line Lugs. Unit Space (starting with 9" and adding 6" increments) "A" Dimension															
	Main Lugs			Main Breakers												
	125A	250A	400A 600A	125A Horiz. BL, BQD, ED	125A Vert. ED <sup>①</sup>	125A Horiz. CED	225A Horiz. QR	225A Vert. QR <sup>①</sup>	250A Horiz. FD	250A Vert. FD <sup>①</sup>	250A CFD	400A JD	400A CJD	600A LD	600A CLD	
26	9	—	—	9	—	—	—	—	—	—	—	—	—	—	—	
32	15	9	—	15	9	9	—	—	—	—	—	—	—	—	—	
38	21	15	9	21	15	15	15	9	9	—	—	—	—	—	—	
44	27	21	15	27	21	21	21	15	15	9	—	—	—	—	—	
50	27	27	21	33	27	27	27	21	21	15	9	9	—	—	—	
56	39	27	27	39	33	33	33	27	27	21	15	15	—	9	—	
62	45	39	33	45	39	39	39	33	33	27	21	21	9	15	9	
68	51	45	39	51	45	45	45	39	39	33	27	27	15	21	15	
74	57	51	45	57	54	54	54	45	45	39	33	33	21	27	21	
	[114p]	[102p]	[90p]	[114p]	[102p]	[102p]	[102p]	[90p]	[90p]	[78p]	[66p]	[66p]	[42p]	[54p]	[42p]	

**Main breaker wire bending space diagram**



**Main lug wire bending space diagram**



① NOTE: The vertical main breaker application for ED, QR, and FD adds 6" of box height.

# Panelboards

## Type P2 Panelboards

*Selection/Dimensions*

Standard Circuit P2 Panels

### Main Breaker Wire Bending

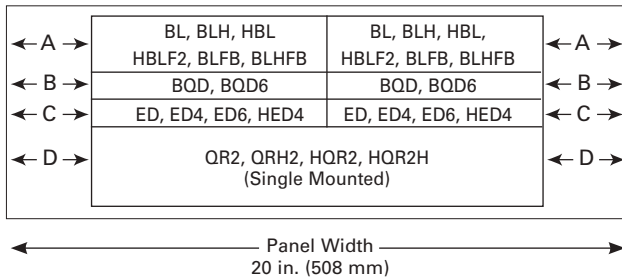
Standard Circuits (up to 54 1" module branch poles)			
Panel Amps	Breaker Frames	C <sup>①</sup>	D <sup>①</sup>
100	BL	5.75	8.00
	BQD	5.13	8.00
125	ED (horiz.)	4.00	8.00
	ED (vert.)	6.56	11.13
225	QR (horiz.)	5.00	7.00
	QR (vert.)	10.06	16.69
250	FD (horiz.)	5.00	7.00
	FD (vert.)	13.25	22.72
400	JD	15.38	25.00
600	LD	15.38	23.00

### Branch Breaker Side Gutters Inches (mm)

Reference Letter	Panel Width 20" (508)
A	5.750 (146)
B	5.125 (130)
C	4.000 (102)
D <sup>②</sup>	5.000 (127)
E	4.625 (117)

### Main Lug Connectors

Standard Circuits (up to 54 1" module branch poles)			
Panel Amps	Standard Connectors	C <sup>①</sup>	D <sup>①</sup>
125	(1) #14-2/0	6.62	8.19
250	(1) #6 AWG - 350 MCM	11.75	10.72
400	(1) #4 AWG - 600 MCM or (2) #6 - 250 MCM	14.00	13.09
600	(2) #4 AWG - 500 MCM	14.00	11.00



<sup>①</sup> Refer to diagrams at the bottom of page 10-26.  
<sup>②</sup> Single branch mounting construction.

# Panelboards

## Type P2 Panelboards

*Selection*

### Main Breaker Selection<sup>①</sup>

Ampere Rating	Breaker Type	Max. Interrupting Rating (kA)			Ref. Catalogue No.	Available Trip Values
		240V	480V	600V		
70	BQD6	65	—	10	B6	15, 20, 25, 30, 35, 40, 45, 50, 60, 70
100	BL	10	—	—	BL	15, 20, 25, 30, 35, 40, 50, 60, 70, 80, 90, 100
	HBL	65	—	—	HB	15, 20, 25, 30, 35, 40, 50, 60, 70, 80, 90, 100
	BQD	65	14	—	BQ	15, 20, 25, 30, 35, 40, 50, 60, 70, 80, 90, 100
	BLH	22	—	—	BH	15, 20, 25, 30, 35, 40, 50, 60, 70, 80, 90, 100
125	ED4	65	18	—	E4	15, 20, 25, 30, 35, 40, 50, 60, 70, 80, 90, 100, 110, 125
	ED6	100	25	14	E6	15, 20, 25, 30, 35, 40, 50, 60, 70, 80, 90, 100, 110, 125
	HED4	100	42	—	H4	15, 20, 25, 30, 35, 40, 50, 60, 70, 80, 90, 100, 110, 125
225	QR2	10	—	—	QR	100, 110, 125, 150, 175, 200, 225
	QRH2	25	—	—	Q4	100, 110, 125, 150, 175, 200, 225
	HQR2	65	—	—	Q5	100, 110, 125, 150, 175, 200, 225
	HQR2H	100	—	—	Q6	100, 110, 125, 150, 175, 200, 225
	FD6	65	35	18	FD	70, 80, 90, 100, 110, 125, 150, 175, 200, 225
	FXD6	65	35	18	FX	70, 80, 90, 100, 110, 125, 150, 175, 200, 225
	HFD6	100	65	25	HF	70, 80, 90, 100, 110, 125, 150, 175, 200, 225
	HFXD6	100	65	25	H2	70, 80, 90, 100, 110, 125, 150, 175, 200, 225
	CFD6 <sup>②</sup>	200	200	100	CF	70, 80, 90, 100, 110, 125, 150, 175, 200, 225
	250	FD6	65	35	18	FD
FXD6		65	35	18	FX	70, 80, 90, 100, 110, 125, 150, 175, 200, 225, 250
HFD6		100	65	35	HF	70, 80, 90, 100, 110, 125, 150, 175, 200, 225, 250
HFXD6		65	35	25	H2	70, 80, 90, 100, 110, 125, 150, 175, 200, 225, 250
400		JXD6 <sup>②</sup>	65	35	25	JX
	JD6 <sup>②</sup>	65	35	35	J6	200, 225, 250, 300, 350, 400
	HJXD6 <sup>②</sup>	100	65	35	H6	200, 225, 250, 300, 350, 400
	HJD6 <sup>②</sup>	100	65	35	H5	200, 225, 250, 300, 350, 400
	SJD6 <sup>②</sup>	65	35	25	SJ	200, 300, 400
	SHJD6 <sup>②</sup>	100	65	35	S2	200, 300, 400
	CJD6 <sup>②</sup>	200	200	100	CJ	200, 300, 400
	SCJD6 <sup>②</sup>	200	200	100	SC	200, 300, 400
600	LXD6 <sup>②</sup>	65	35	25	LX	450, 500, 600
	LD6 <sup>②</sup>	65	35	25	L6	250, 300, 350, 400, 450, 500, 600
	HLXD6 <sup>②</sup>	100	65	35	HL	250, 300, 350, 400, 450, 500, 600
	HLD6 <sup>②</sup>	100	65	35	HO	250, 300, 350, 400, 450, 500, 600
	SLD6 <sup>②</sup>	65	35	25	SL	300, 400, 500, 600
	SHLD6 <sup>②</sup>	100	65	35	S6	300, 400, 500, 600
	CLD6 <sup>②</sup>	200	150	100	CL	300, 400, 500, 600
	SCLD6	200	150	100	C6	300, 400, 500, 600

### Vertically Mounted Main Breaker (available in 2-pole or 3-pole)

Ampere Rating	Breaker Type(s)	Unit Space (in.)
100	ED4, ED6, HED4	6
225	FXD6, FD6, HFD6 QR2, QRH2, HQR2, HQR2H	6

### Subfeed Breakers (available in 2-pole or 3-pole)

Breaker Type	Mounting Position When Used as Subfeed Breaker	Ampere Ratings For Load	Maximum Interrupting Rating (kA) Symmetrical		
			240V AC	480V AC	600V AC
FD6 <sup>③</sup> , FXD6	Twin	70–250	65	35	22
HFD6 <sup>③</sup> , HFXD6	Twin	70–250	100	65	25
JD6 <sup>③</sup> , JXD6	Single	200–250	65	35	25
HJD6 <sup>③</sup> , HJXD6	Single	200–250	100	65	35

<sup>①</sup> Interchangeable trip main breakers are mounted at top of panel only.

<sup>②</sup> Vertically mounted.

<sup>③</sup> Twin mounted subfeed breakers are mounted at the bottom of panelboard only and adds 24" to the panel height.

<sup>④</sup> Subfeed breaker is mounted at bottom of panelboard only. 250 amp subfeed breaker adds 24" to the panel height. (Only for use with MLO)

# Panelboards

## Type P2 Panelboard Standard Modifications and Additions

*Selection*

### Branch Circuit Breakers

Max. Amp Rating	Bolt-On Breaker Type	Amps	Availability			Maximum Interrupting Rating (kA)						
			1-Pole	2-Pole	3-Pole	120V AC	120/240V AC	240V AC	277V AC	480V AC	600V AC	250V DC
70	BQD6	15-70	✓	✓	✓	65	65	65	—	—	10	—
100	BL	15-60	✓	✓	✓	10	—	—	—	—	—	—
		70	✓	✓	✓	—	10	—	—	—	—	—
		80-100	—	✓	✓	—	—	10	—	—	—	—
	BLH	15-60	✓	✓	✓	—	22	—	—	—	—	—
		70	✓	✓	✓	—	22	—	—	—	—	—
		80-100	—	✓	✓	—	—	22	—	—	—	—
	HBL BLR (240V)	15-55	✓	✓	✓	—	65	—	—	—	—	—
		60-100	—	✓	✓	—	65	—	—	—	—	—
		15-60 70-100	—	✓	—	—	—	—	10	—	—	—
	BLE (GFCI)	15-30	✓	✓	—	10	—	—	—	—	—	—
		40-60	—	✓	—	—	10	—	—	—	—	—
	BLEH	20-30	✓	—	—	22	—	—	—	—	—	—
		15-60	✓	✓	—	—	22	—	—	—	—	—
	BLF (GFCI)	15-30	✓	✓	—	10	—	—	—	—	—	—
40-60		✓	✓	—	—	10	—	—	—	—	—	
BLHF (GFCI)	15-30	✓	✓	—	22	—	—	—	—	—	—	
	40-60	✓	✓	—	—	22	—	—	—	—	—	
HBLF2 (GFCI)	15-30	✓	—	—	65	—	—	—	—	—	—	
BAF BAFH	15-20	✓	✓	—	10	—	—	—	—	—	—	
	15-20	✓	✓	—	22	—	—	—	—	—	—	
BQD	15-60	✓	✓	✓	—	—	—	14	—	—	14	
	70-100	✓	✓	✓	—	65	—	—	—	14	14	
125	NGB2	15-60	✓	✓	✓	100	100	100	25	25	14	14 <sup>④</sup>
		70-100	✓	✓	✓	100	100	100	25	25	14	14 <sup>④</sup>
		110-125	—	✓	✓	100	100	100	25	25	14	14 <sup>④</sup>
	HGB2	15-60	✓	✓	✓	100	100	100	35	35	22	14 <sup>④</sup>
		70-100	✓	✓	✓	100	100	100	35	35	22	14 <sup>④</sup>
		110-125	—	✓	✓	100	100	100	35	35	22	14 <sup>④</sup>
	LGB2	15-60	✓	✓	✓	100	100	100	65	65	25	14 <sup>④</sup>
		70-100	✓	✓	✓	100	100	100	65	65	25	14 <sup>③</sup>
		110-125	—	✓	✓	100	100	100	65	65	25	14 <sup>③</sup>
	ED4	15-60	✓	✓	✓	65	—	—	22	—	—	—
		70-100	✓	✓	✓	—	—	65	—	18	—	30
		110-125	—	✓	✓	—	—	65	—	18	—	—
	ED6	15-60	—	✓	✓	—	—	65	—	25	18	30
		70-100	—	✓	✓	—	—	65	—	25	18	—
110-125		—	✓	✓	—	—	65	—	25	18	—	
HED4 <sup>①</sup>	15-60	✓	✓	✓	—	—	65	—	42	18	30	
	70-100	✓	✓	✓	—	—	65	—	42	18	—	
	110-125	—	✓	✓	—	—	65	—	42	18	—	
CED6 <sup>②</sup>	15	—	—	✓	—	—	200	—	—	100	—	
	20-125	—	✓	✓	—	—	200	—	—	100	—	
225	QR2	100-225	—	✓	✓	—	—	10	—	—	—	—
	QRH2	100-225	—	✓	✓	—	—	25	—	—	—	—
	HQR2	100-225	—	✓	✓	—	—	65	—	—	—	—
	HQR2H	100-225	—	✓	✓	—	—	100	—	—	—	—

### Branch Neutral Connections

Wire Range	Max. Number of Connections	Max. Amp <sup>②</sup>
#14-#6	26	65
#14-1/0	28	125
#6-350 kcmil	3	250
(1) #4-600 kcmil or (2) #6-250 kcmil	1	400

- ① 1-Pole HED 4 15-30A Rated 65kA 35 through 100A Rated 25kA.
- ② Based on 75 degree copper.
- ③ 2-pole only (or) two outer poles of 3-pole breaker.
- ④ CED6 breaker can be used in 400A panel with copper bussing only. Panel enclosure required is 24" (610mm) wide.

**NOTE:** QR Breakers are single mounted in unit space and take 6" of unit space. Limited to (4) per panel max. BL, HBL, BLH and BQD breakers are mounted in common mountings in 3" or (6) pole increments. ED4, ED6 and HED4 breakers are mounted in common mountings in 3" or (6) pole increments.

# Panelboards

## Type P2 Panelboard Modifications and Additions

**Selection**

### Enclosure Modifications

Description
Type 1 with gasket Type 1 with dripshield Type 3R - Waterproof and silicone free Type 3R/12 - Dustproof Type 4/4X - Standard type 304 Stainless Steel Type 4/4X - Type 316 Stainless Steel Wider enclosure - 24", 30" or 36" wide
Hinged trim Piano hinged trim Trim with padlock Door-in-door trim Screw to the box trim Trim with gasketed door Stainless steel trim
Trim mounted devices (Devices mounted into a 10" minimum box extension) <ul style="list-style-type: none"> <li>• Pilot lights</li> <li>• Toggle switches</li> <li>• Push buttons</li> </ul>
Painted boxes Custom colors Increase gauge trims and boxes Stainless steel trims and boxes, Type 1

### Meters

(Contact sales for pricing and application engineering for space requirements)

### Panel Skirts

See page 10-64

### Panel Bus Modifications

#### Bus Material

Represented by "A", "C" or "E" in the 11th digit of the catalogue number.

Standard bussing is tin plated Al, alternate bus bar material can be selected:

- Tin plated copper
- Silver plated copper - optional

### Subfeed and Feed-Thru (for 2-pole or 3-pole)

Ampere Rating	Connector Cu/Al Wire Range	Unit Space (inches)
100/125	(2)—#12 AWG - 2/0 AWG	6
225/250	(2)—#6 AWG-350 kcmil	6
400	(4)—250 kcmil (2)—600 kcmil	6

### Subfeed (Double) Lugs for Main Lug Panelboards Only

Ampere Rating	Connector Cu/Al Wire Range	Unit Space (inches)
100/125	(2)—#12 AWG - 2/0 AWG	6
225/250	(2)—#6 AWG-350 kcmil	6
400	(4)—250 kcmil (2)—600 kcmil	6

### Feed-Thru Lugs – Cannot be used in conjunction with SPD or Subfeed Breakers (200% Neutral not available)

Amp Rating	Type	Connector Wire Range
125	Al Mechanical	(1) #6 AWG - 2/0 AWG Al/Cu
	Cu Mechanical	(1) #6 AWG - 350 kcmil Cu
	Compression	(1) #6 AWG - 350 kcmil Al/Cu
250	Al Mechanical	(1) #6 AWG - 350 kcmil Al/Cu
	Cu Mechanical	(1) #6 AWG - 350 kcmil Cu
	Compression	(1) #6 AWG - 350 kcmil Al/Cu
400	Al Mechanical	(1) #2 AWG - 600 kcmil Al/Cu and (1) 1/0 AWG - 250 kcmil Al/Cu
	Cu Mechanical	(1) 1/0 AWG - 600 kcmil or (2) 1/0 AWG - 4/0 AWG
	Compression	(1) 250 kcmil - 600 kcmil Cu or (2) #6 AWG - 350 kcmil Al/Cu
600	Al Mechanical	(2) #2 AWG - 600 kcmil Al/Cu
	Cu Mechanical	(2) #2 AWG - 600 kcmil Cu
	Compression	(2) #6 AWG - 350 kcmil Al/Cu (2) 400 kcmil - 600 kcmil Al or (2) 400 kcmil - 500 kcmil Cu

### Increase Capacity Neutral up to 200% (N/A on FeedThru Lugs & Subfeed Lugs)

Main Bus Amps
125
250
400
600

See page 10-31 for unit space adders and compatibility with other options.

(Devices mounted and wired to the trim should also have hinged trim specified)

### Bus mounted SPD

See Section 9

- TPS3 01
  - Bus connected
  - Internally mounted (30A breaker required to feed SPD)
  - Externally mounted in a 15" high aux. enclosure (30A breaker required to feed SPD)
- TPS3 09
  - Internally mounted (20A breaker required to feed SPD)
  - Externally mounted (20A breaker required to feed SPD)
- TPS3 12
  - Externally mounted (40A breaker required to feed SPD)

### Service Entrance Label

Type P2 Panelboards are factory labeled "SUITABLE FOR USE AS SERVICE ENTRANCE EQUIPMENT" when identified as "Service Entrance" at the time of order entry. For regulations governing this feature, please consult CEC, CSA or local electrical authorities.

### Grounding of Panelboards

Ground Bars except for brazed to box are shipped with the panel interior factory mounted.

- Non-Insulated Equipment Ground Bar
- Copper Non-Insulated Ground Bar
- Al Insulated Equipment Ground Bar
- Cu Insulated Equipment Ground Bar

### Shunt Trip on Main or Branch

BL, BLH, HBL, NGB, xGB2, ED6, HED4, uses 1" unit space for shunt trip. All others may be used on mains or subfeeds.

### Contactors Mains or Submain\*

- Asco 920 through 225 amps – adds 12" unit space as main, 15" unit space as submain
- External with manufacture supplied enclosure
- Siemens LEN through 30 amps - adds 6" as main; 18" for up to 100A submain and 21" for 200A. 7.75" depth cans for up to 100A and 10" depth cans for 200A.

### Branch and Main Breaker Accessories

See breaker section of this catalog.

- Handle blocks
- Handle locks
- Aux. Contacts®
- UVR®

① Accessories on 1" pole breakers (BL, BQD, ED) will take unit space.

# Panelboards

## Embedded Micro Metering Module™ (Type P2 Panelboard)

*Selection*

### SEM3 System configured in Panelboards

The Siemens SEM3 system can be configured for factory installation in branch circuit monitoring applications. This option can lower the installation time of the system for the installer while providing a factory warranted solution.

The SEM3 system can be factory installed in unit space in type P2 & S5 Siemens panel boards and in Siemens switchboards. Please note P1 and P3 configurations are not available at this time and the amount of unit space needed varies depending upon the application. Please note that lead time adders will apply and may vary depending upon the configuration of the system.

### SEM3 for use in Siemens Panelboards



#### **Type P2: Enclosure**

- Available in a Type 1 rated enclosure.
- Minimum width & depth: 30" width x 7.75" depth
- Height: Up to 74" depending on branch breaker selection
  - Addition of monitoring on some mains (primary and subfeed) may require additional box length. In these cases the box will be increased to the next size available as a standard design. The option of monitoring on mains is not available for equipment rated for service entrance.
  - In cases where enclosure size is increased all multi-section panels will be increased to match the largest section.



#### **Controller**

SEM3 controller is mounted in a separate enclosure (relay cabinet) opposite of the feed location (i.e., bottom mount for top feed) with a height of 24". Each controller will be powered by direct tap connection to the panel section or through a 150VA potential transformer for systems above 480V. The direct tap connection will use 2 circuits from the distribution section (i.e., 42 circuits panel will have 40 circuits usable for distribution). Each controller can monitor up to 45 circuits. Applications that require monitoring more than 45 circuits will require additional P2 panel complete with SEM3.



#### **Current Transformers (CTs)**

Five sizes of CTs are available for use in the P2 panel: 50, 125, 250, 400 & 600 amp. All CTs are pre-mounted to a support bracket that attaches to the base rail of the interior of the panel board. Each bracket supports a maximum of 3 CTs and is designed for the breaker selected (brackets are not interchangeable between breaker frames). Each CT will be attached to a data module that is placed in the meter racks.



#### **Meter Racks**

All meter racks will be installed next to the SEM3 controller in the relay cabinet.

NOTE: Monitoring of 45 circuits will require: two 21 position racks and one 3 position rack

# Panelboards

## Embedded Micro Metering Module™ (Type P2 Panelboard)

*Selection*

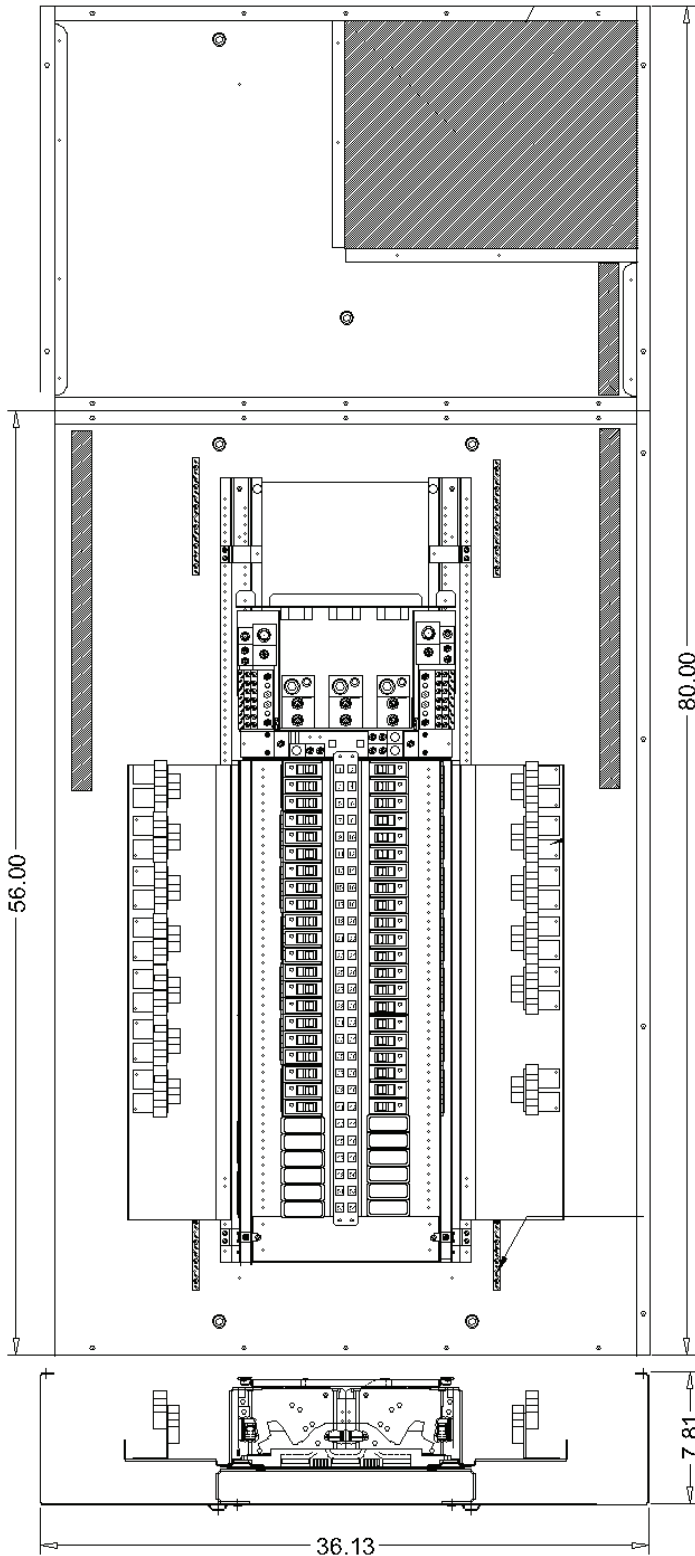
P2 Devices

Enclosure sizes

### Example P2 Panel with SEM3 Type 1 Enclosure (36" Wide x 7.75" Deep)

Enclosure heights are in 6" increments from 26" thru 74".  
Enclosure heights: 26", 32", 38", 44", 50", 56", 62", 68", 74"

Example below is largest standard P2 enclosure for factory assembled panel with all small (1") branch breakers installed.



← 36" std. width →

Relay Cabinet which includes SEM3 components:

- Meter rack
- 3 Phase PT 150VA
- Controller:
  - 21 circuits monitored: one controller and one 21-pos rack
  - 42 circuits monitored: one controller and two 21-pos racks
  - 45 circuits monitored: one controller and two 21-pos racks plus one 3-pos rack

**Main Breaker / Main Lug space varies based on selected options**

Unit space varies based on selected options

**Note:** All circuits do not have to be monitored by SEM3 - user can select any circuits in this space to be monitored.

Based on smallest branch breakers and a 3-phase main being monitored. There is a maximum of 42 circuits that can be monitored with the configuration shown. Some selections of main breakers and other subfeed options could limit this further.

In this situation there is 27" of unit space available - so 54 branch circuits could be monitored. If monitoring the main three additional circuits could be monitored with a total of 57 circuits.

This requires two controllers and three 21 position racks using 15" of unit space.  
- see below -

**Note:** If subfeed space is needed - it will take away from available unit space.



# Panelboards

## Type P2 Panelboard Standard Modifications and Additions

Selection

### Box Size Additions for Optional Features

Options	Main Lugs				Main Breakers											
	125A	250A	400A	600A	125A Horiz. BL, BQD, ED, xGB	125A Horiz. CED	125A Vert. ED	225A Horiz. QR	225A Vert. QR	225A Horiz. FD	250A Vert. FD	250A Vert. CFD	400A JD	400A CJD	600A LD	600A CLD
<b>*Min. Box Size</b>	26"	32"	38"	38"	26"	32"	32"	32"	38"	38"	44"	50"	50"	62"	56"	62"
200% Neutral (lug type)	0	0	6 (all)	6 (all)	0	0	0	N/A	0	N/A	0	0	0	0	0	0
Std. Lugs (100% Neut. PNL)	0	0	0	0	0	0	0	0	0	0	0	0	0	0	0	0
CU Lugs (100% Neut. PNL)	6	6	6	0	N/A	N/A	0	N/A	0	N/A	0	0	0	0	0	0
Comp Lugs (100% Neut. PNL)	6	6	6	6	N/A	N/A	0	N/A	0	N/A	0	0	0	0	0	0
Feed-thru Standard Lugs	6	6	12	12	6	6	6	N/A	6	N/A	6	6	12	12	12	12
Feed-thru Cu Lugs Feed-thru	6	6	12	N/A	N/A	N/A	6	N/A	6	N/A	6	6	12	12	N/A	N/A
Comp Lugs	6	12	12	N/A	N/A	N/A	6	N/A	6	N/A	12	12	12	12	N/A	N/A
Subfeed Standard Lugs	0	6	6	N/A	—	—	—	—	—	—	—	—	N/A	—	—	—
(1) FD Subfeed (Horizontal Mtg.)	N/A	12	12	12	N/A	N/A	N/A	N/A	N/A	12	12	12	12	12	12	12
(2) FD Subfeed (Vertical Mtg.)	N/A	24	24	24	N/A	N/A	N/A	N/A	N/A	24	24	24	24	N/A	N/A	N/A
SPD	12	12	12	12	12	12	12	12	12	12	12	12	12	12	12	12

NOTE: N/A = OPTION NOT AVAILABLE

\*Min. Box Size, corresponding to 9" of Unit Space.

### Compression Lugs

Style	Amp Rating	Breaker Type	Compression Connectors	Box Height Addition - Inches (mm)
MLO	125	N/A	(1)#6 - 350 kcmil Al/Cu	6 (152)
	250	N/A	(1)#6 - 350 kcmil Al/Cu	6 (152)
	400	N/A	(1) 400 - 600 kcmil Cu or (2)#6 - 350 kcmil Al/Cu	6 (152)
	600	N/A	(2)#6 - 350 kcmil Cu or Cu/Al or 400 - 600 kcmil Al/Cu	6 (152)
Main Breaker	100	ED4, ED6, HED4, CED6 <sup>①</sup>	(1)#14-2/0 AWG Cu or Al	Box must go to 24" wide on CED6 breaker only Add 6" to box height for NØ
	225	QR2, QRH2, HQR2, HQR2H	(1)#6 AWG - 350 kcmil Cu or Al	Box must go to 24" wide
	250	FXD6, HFD6, CFD6	(1)#6 AWG - 350 kcmil Cu or Al	Box must go to 24" wide for all breakers Requires an additional 6.0" box height
	400	JD6, JXD6, HJD6, CJD6, SJD6, SHJD6, SCJD6	(2)#1/0 AWG - 500 kcmil Cu or Al	9 (229)
	600	LD6, LXD6, HLD6, CJD6, SLD6, SHLD6, SCLD6	(2)#2/0 AWG - 500 kcmil Cu or Al	6 (152)

### Alternate Lugs

Style	Amp Rating	Breaker Type	Standard AL Connectors	Box Height Addition - Inches (mm)
MLO	400	N/A	(1) 250 - 750 kcmil or (2)#3/0 AWG - 250 kcmil Cu or Al	6 (152)
Main Breaker	400	JD6, JXD6, HJD6, CJD6, SJD6, SHJD6, SCJD6	(1)#4/0 AWG - 750 kcmil Cu or Al	6 (152)

① Not available for feed thru lug.

# Panelboards

## Type P2 Panelboard Connector Modifications

*Selection*

### Enclosure Modifications

Description
Wider enclosure - 24" wide
Type 1 with gasket
Type 1 with dripshield
Type 2 enclosures
Type 3R enclosures
Type 3R/12 enclosures

**Type 4—Water Tight, Dust Tight, Steel Enclosure®** (Actual NEMA-4 enclosure is larger than standard Type 1 enclosure. See chart below for reference to approximate actual size.)

Standard Box Height (in inches)	Actual NEMA 4 Enclosure Size®		
	H	W	D
32	32	20	8
38	42	30	8
44	48	36	8
56	60	36	10

NOTE: Larger Type 4 enclosures are not available.

**Type 4X—Water Tight, Dust Tight and Corrosion Resistant®** (consult plant for actual enclosure size)

Catalogue Number	Enclosure – Stainless Steel Size (inches) (304SS is standard)		
	H	W	D
B4X26	26	20	5.75
B4X32	32	20	5.75
B4X38	38	20	5.75
B4X44	44	20	5.75
B4X50	50	20	5.75
B4X56	56	20	5.75
B4X62	62	20	5.75
B4X68	68	20	5.75
B4X74	74	20	5.75

NOTE: 316SS is available as an option - must be specified.

- ① 16 Gauge Cans w/ 14 Gauge Front)
- ② 14 Gauge only
- ③ 14 Gauge only - 304SS Std, 316SS Optional)

### Gauge Steel of Boxes/Fronts, Surface and Flush

Dimensions in Inches (mm)		Gauge Steel		
Width	Height	Box	Front/Door	Type
20 (508)	26-74 (660-1880)	14	14 <sup>③</sup>	Type 1
20 (508)	26-74 (660-1880)	16 <sup>②</sup>	16/14 <sup>②</sup>	Type 3R/12
20-36 (508-914)	32-60 (813-1524)	14 <sup>③</sup>	14 <sup>③</sup>	Type 4
20 (508)	26-74 (660-1879)	14 <sup>④</sup>	14 <sup>④</sup>	Type 4X
30-36 (762-914)	36-60 (914-1524)	N/A <sup>⑤</sup>	N/A <sup>⑤</sup>	Type 4X Non-Metallic

- ① 15 Gauge Steel Can with 14 Gauge Door or Similar Approved Construction
- ② No Optional Gauge available
- ③ 304SS 14 Gauge Std., 316SS 14 Gauge optional
- ④ Sizes do not match Standard Enclosure Sizes - See Table P1-21 - material is non-metallic - No Gauge Specified.

# Panelboards

## Type P2 Panelboard Kits and Accessories

*Selection*

### Standard Enclosures

Box Height Inches	Catalogue Number				
	Type 1 Standard Trim			Type 3R	Type 3R/12 ①
	Box	Surface	Flush		
26	B26	S26B	F26B	NR26	WP26
32	B32	S32B	F32B	NR32	WP32
38	B38	S38B	F38B	NR38	WP38
44	B44	S44B	F44B	NR44	WP44
50	B50	S50B	F50B	NR50	WP50
56	B56	S56B	F56B	NR56	WP56
62	B62	S62B	F62B	NR62	WP62
68	B68	S68B	F68B	NR68	WP68
74	B74	S74B	F74B	NR74	WP74

① Same as Type 3R with Gasket added for Type 12 Spec.

### Options For Type 1 Trims

Items must be ordered as manual line item on Spartanburg  
 Hinged trim – Replace “B” suffix with “H”  
 Door-in-door – Replace “B” suffix with “D”  
 Screw to Box - Replace “B” suffix with “C”  
 Metal card holder - Add “M” suffix on all trims

### Option For 24" Wide Enclosures with Equal Gutter on Both Sides (Excludes Type 3R)

24" wide with equal gutter on both sides - Add “24” as prefix

### Breaker Kits and Accessories

Kit Number	Description	Contents
BBKB32 BBKB32AT BBKB32CS	BL/BQD 6-pole 3" branch breaker kit Cu/Tin BL/BQD 6-pole 3" branch breaker kit Al/Tin BL/BQD 6-pole 3" branch breaker kit Cu/Silver	Kit contains top barrier, (3) A/C connectors, (1) B connector, hardware
BBKCED32 BBKCED32CS	CED branch breaker kit Cu/Tin CED branch breaker kit Cu/Silver	Kit contains connector kit for P2 400A, 24" wide only
BBKED32 BBKED32AT BBKED32CS	ED 6-pole 3" branch breaker kit Cu/Tin ED 6-pole 3" branch breaker kit Al/Tin ED 6-pole 3" branch breaker kit Cu/Silver	Kit contains breaker support, inter-phase barrier, (3) A/C connectors, (1) B connector, hardware
BBKNB32 (P2/P3) BBKGB32	NGB 6-pole 3" branch breaker kit NGB2/HGB2/LGB2 6-pole	Kit contains top barrier, (3) A/C connectors, (1) B connector, hardware Kit contains top barrier, (3) A/C connectors, (1) B connector, hardware
BBKQR1 ①	QR branch breaker kit for 2 and 3-pole single mount in P2 panel	Kit to contain all connectors and cover plates necessary to mount both 2 and 3-pole breakers
DFK1	BL, BQD, ED deadfront kit for 1" pole breakers	Center strips 3", 6", 9", 15", 21" plus mounting hardware
DFFP3	Deadfront filler 3"	3" empty space filler and hardware
DFFP6	Deadfront filler 6"	6" empty space filler and hardware
BNK2	Branch neutral (P2)	Three tier lug with mounting hardware to increase neutral capacity
P2BK1	P2 250A max. Bonding Kit	Bonding strap and hardware
P2BK2	P2 400A max. Bonding Kit	Bonding strap and hardware
P2BK3	P2 600A max. Bonding Kit	Bonding strap and hardware
BBKQRP1FK	P2 Filler for QR. Horizontal or vertical mount. 1-phase/3-phase.	Kit contains all cover plates necessary to change from QJ to QR both 2 and 3-pole breakers.

① Although QR is rated 250A, it is limited to 225A in panelboard.

## Type P2 Panelboards

### Miscellaneous Parts and Accessories

Catalogue Number	Description	Catalogue Number	Description
EGK	Al Ground Bus 44 Connections	NBK6	Number Strips 86-168 (snap-in type, P2/P3 panels)
P2BK1	P2 250A Bonding Kit	NBK7	Number Strips 169-210 (snap-in type, P2/P3 panels)
P2BK2	P2 400A Bonding Kit	NBK8	Number Strips 211-252 (snap-in type, P2/P3 panels)
P2BK3	P2 600A Bonding Kit	ECGK	Cu Ground Bus 44 Connections
IMK1	Interior Adjusting Kit	IGK	Insulated Al Ground Bus
9271-1	Plastic directory card holder	ICGK	Insulated Cu Ground Bus
SDKN	Drip shield 20"W x 5.75"D	EWK2	End Wall Kit with Knockouts (24" W x 7.75" DP)
NBK3	Number Strips 1-42 (snap-in type, P2/P3 panels)	DFFP1A	1" Filler Plate – (suitable for replacing QF3-UL in P1 thru S5 Panelboards and Switchboards)
NBK4	Number Strips 43-84 (snap-in type, P2/P3 panels)	MCHK	Metallic directory card holder
NBK5	Number Strips 85-126 (snap-in type, P2/P3 panels)	EBF1	NEB/HEB Filler Plate

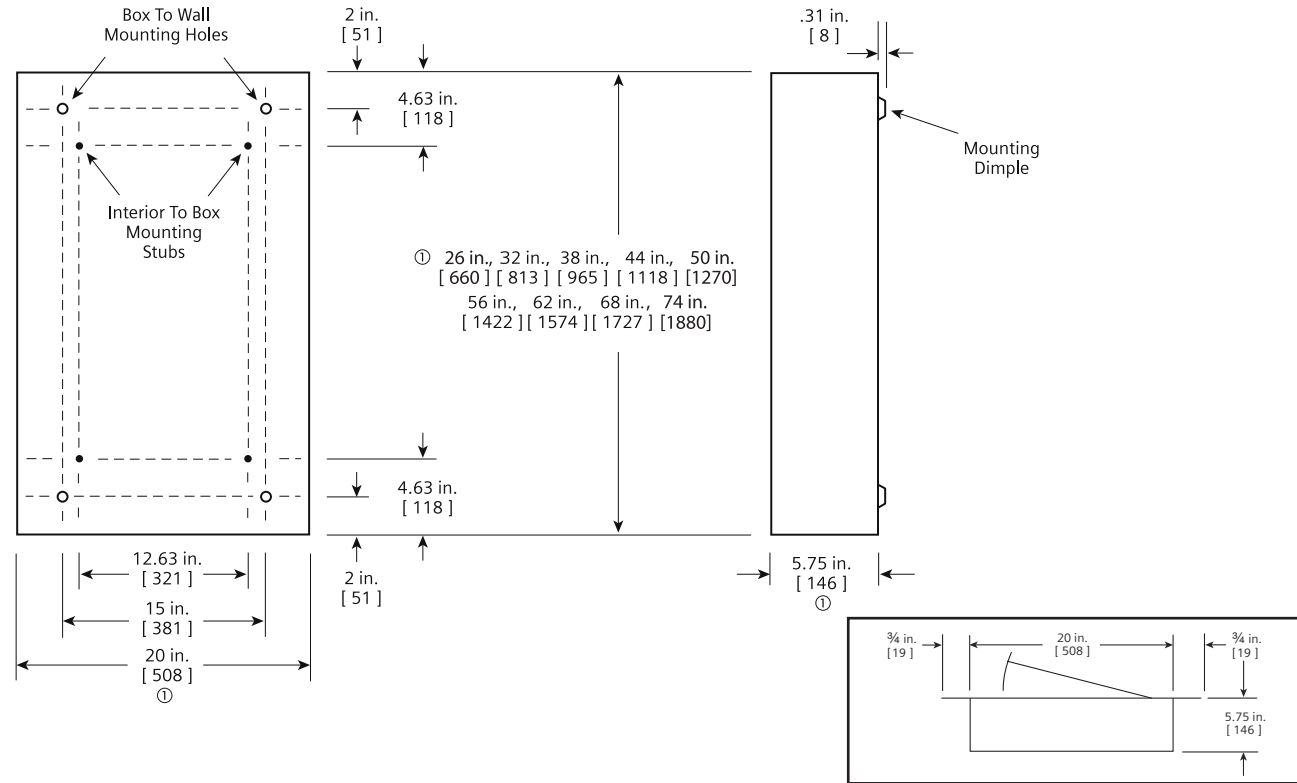
# Panelboards

## Type P2 Panelboards

*Dimensions*

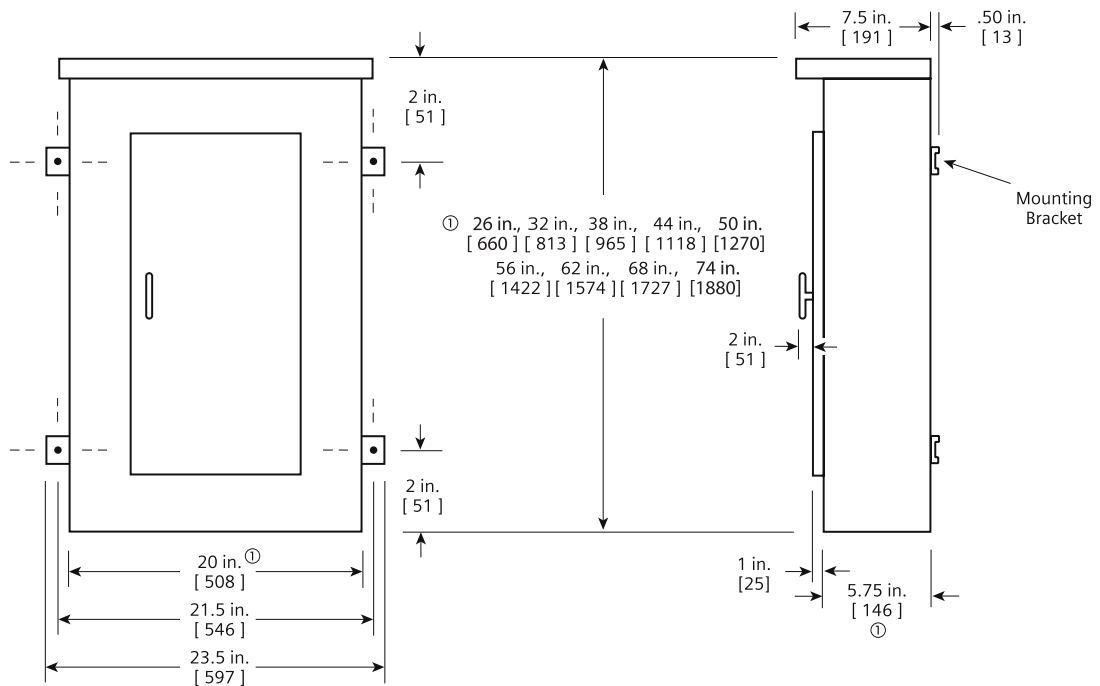
### Type 1 Box

Box is symmetrical



Flush Mounting

### Type 3R and 3R/12 Box



① Dimensions are interior of the box. Add 5/8" to width for absolute dimension. Add 1/8" to height for absolute dimension.

Dimensions shown in inches and millimeters [ ].

# Panelboards

## Type P3 Panelboards

General

### Features

Another innovation from Siemens is the P3 panel. It is a smaller, footprint distribution panel to fit a large number of applications that require more (or larger) branch devices than the lighting panel class offer. This panel offers a wide array of factory-assembled options, and has the ability to mix breaker frames in unit space up to 250 amps. Bussing options for the P3 vary from the standard aluminum to copper designs. All bussing in the P3 panel is tin-plated as a standard. Silver-plated copper is offered as an option on a copper bus. Subfeed lugs (up to 400 amp) are just a few of the options of this unique panel.

The P3 panel configurations, defined by the unit space, allow for a given amperage, main device, and box height. The P3 panel starts with a 56" high box. Breaker unit space can be mixed and matched to meet customer requirements. All 1" pole breakers (BL, BQD, ED, xGB frames) are mounted in 3" or 6" pole increments. Breakers frames, above 125 amps, are mounted in 6" single or twin breaker mountings. As an example panel, FD 250 amp and JD 400 amp breakers are mounted as subfeed breakers outside of unit space.

Like other distribution panels, the P3 panel can have blank space added into the panel to allow for future expansions or modifications. Any expansions or modifications must be in 3" increments. BL, BQD and ED frame breakers have 3" or 6-pole kits and can be mixed in unit space by these increments. Breakers of the same frame can cross from one mounting to another if contiguous. xGB frame breakers cannot be mixed with other frame types. Any expansion or modification must be in 3" increments also. QR frame breakers are mounted in 6" increments for two and three pole single and twin mounted units. Changes in the unit space length for BL, BQD, xGB, or ED frame breakers require an additional deadfront center strip kit. Check with sales or the factory for additional unit space kits.

### Main Lug/Main Breaker

**Enclosure** – Standard Type 1 enclosure is 24" wide x 7.75" deep. X Box Height is determined by main device and unit space. See charts for box height.

**Voltage** – 600V AC max.  
250V DC max.

**Amperage** – 800 amp max.

**Short Circuit Rating** –  
200,000 A @ 480 Vac

100,000 A @ 600 Vac IR max.  
symmetrical or equal to the lowest rated device installed unless a series rating is indicated. Panels with subfeed or feed-thru lugs without a main device, circuit breaker or fusible unit, are limited to a three-cycle rating. The three-cycle rating for the P3 panel is limited to 22 Kaic. Note that the main device may be mounted remote from the panel.

**Bussing** – The P3 panel has more options to meet market requirements. The standard bussing is aluminum. The rating is per the requirements of CSA C22.2 No.29 – the standard for panelboards. All aluminum bussing is tin-plated. Optional bussing for the P3 panel is copper. The copper bus option for this panel is tin-plated.

### Weight – Approximate

Total panelboard weight when filled with a normal quantity of breakers and accessories is about 5 lbs. (1 kg) per inch (54g per mm) of box height.

### Gauge Steel of Boxes Fronts, Surface & Flush

Dimensions in inches (mm)		Gauge Steel	
Width	Height	Box	Front
24" (610)	56 - 80" (1422, 2032)	#14	#14

# Panelboards

## Type P3 Panelboards

*Selection/Dimensions*

### Panel Unit Space To Box Height Requirements

"B" Dimension Box Height	P3 Panels With Standard Line Lugs. Unit Space (starting with 9" and adding 6" increments) "A" Dimension				
	Main Lugs			Main Breakers	
	400A	600A	800A	400A JD	600A LD
56	21	21	21	9	9
62	27	27	27	15	15
68	33	33	33	21	21
74	39	39	39	27	27
80	45	45	45	33	33

### Main Lug Wire Bending

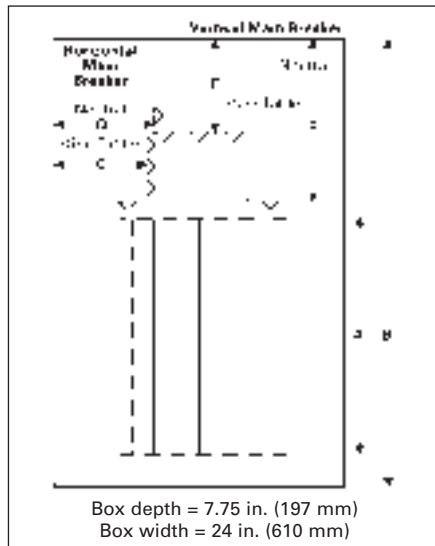
Panel Amps	Standard Connectors	C	D
400	(2) #3/0 AWG - 250 kcmil or (1) 600 kcmil	16.00	17.88
600	(2) #3/0 AWG - 500 kcmil	16.00	17.88
800	(2) 600 kcmil	16.00	17.88

### Main Breaker Wire Bending - Inches (mm)

Panel Amps	C	E	F
JD	—	15.63 (397)	29.38 (746)
LD	—	14.75 (375)	29.38 (746)

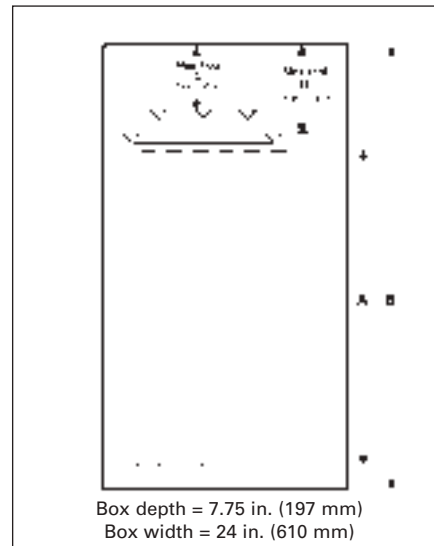
Ⓢ This lug is removable.

### Main Breaker Wire Bending Diagram



Main Breaker Wire Bending

### Main Lug Wire Bending Diagram



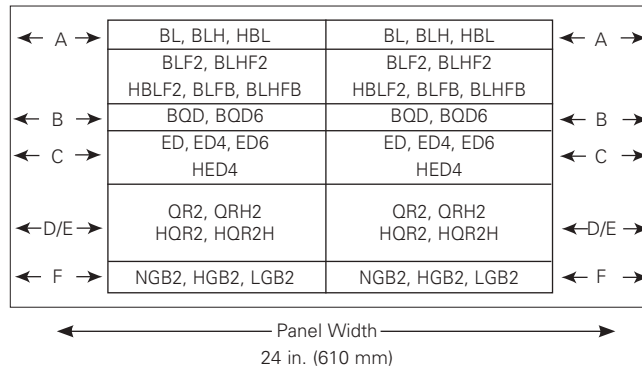
Main Lug Wire Bending

### Branch Breaker Side Gutters Inches (mm)

Reference Letter	Panel Width 24" (609)
A	7.750 (197)
B	7.125 (181)
C	6.000 (152)
D <sup>Ⓢ</sup>	7.000 (178)
E	5.000 (127)
F	6.625 (168)

Ⓢ Single branch mounting construction.

### Branch Breaker Wire Bending Diagram



Branch Breaker Side Gutters

# Panelboards

## Type P3 Panelboards

*Selection*

### Alternate Main Breakers

Ampere Rating	Breaker Type	Maximum Interrupting Rating (kA)			Ref. Catalogue Number	Available Configurations <sup>②</sup>			Available Trip Values
		240V	480V	600V		240V AC	480V AC	600V AC	
400	JXD6 <sup>①</sup>	65	35	25	<b>JX</b>	<b>STD</b>	<b>STD</b>	<b>STD</b>	200, 225, 250, 300, 350, 400
	JD6 <sup>①</sup>	65	35	25	<b>J6</b>	<b>STD</b>	<b>STD</b>	<b>STD</b>	200, 225, 250, 300, 350, 400
	HJXD6 <sup>①</sup>	100	65	35	<b>H6</b>	<b>ADD</b>	<b>ADD</b>	<b>ADD</b>	200, 225, 250, 300, 350, 400
	HJD6 <sup>①</sup>	100	65	35	<b>H5</b>	<b>ADD</b>	<b>ADD</b>	<b>ADD</b>	200, 225, 250, 300, 350, 400
	SJD6 <sup>①</sup>	65	35	25	<b>SJ</b>	<b>ADD</b>	<b>ADD</b>	<b>ADD</b>	200, 300, 400
	SHJD6 <sup>①</sup>	100	65	35	<b>S2</b>	<b>ADD</b>	<b>ADD</b>	<b>ADD</b>	200, 300, 400
600	LXD6 <sup>①</sup>	65	35	25	<b>LX</b>	<b>STD</b>	<b>STD</b>	<b>STD</b>	450, 500, 600
	LD6 <sup>①</sup>	65	35	25	<b>L6</b>	<b>STD</b>	<b>STD</b>	<b>STD</b>	250, 300, 350, 400, 450, 500, 600
	HLXD6 <sup>①</sup>	100	65	35	<b>HL</b>	<b>ADD</b>	<b>ADD</b>	<b>ADD</b>	250, 300, 350, 400, 450, 500, 600
	HLD6 <sup>①</sup>	100	65	35	<b>HO</b>	<b>ADD</b>	<b>ADD</b>	<b>ADD</b>	250, 300, 350, 400, 450, 500, 600
	SLD6 <sup>①</sup>	65	35	25	<b>SL</b>	<b>ADD</b>	<b>ADD</b>	<b>ADD</b>	300, 400, 500, 600
	SHLD6 <sup>①</sup>	100	65	35	<b>S6</b>	<b>ADD</b>	<b>ADD</b>	<b>ADD</b>	300, 400, 500, 600

① Vertically mounted

② STD = Standard configuration. ADD = Additional cost.



# Panelboards

## Type P3 Panelboards

*Selection*

### Branch Circuit Breakers

Max. Amp Rating	Bolt-On Breaker Type	Amps	Provisions for Maximum Interrupting Rating (kA)							
			120V AC	120/240V AC	240V AC	277V AC	480V AC	600V AC	250V DC	
70	BQD6	15-70	—	65	65	—	—	—	10	14
100	BL	15-60	10	—	—	—	—	—	—	—
		70	—	10	—	—	—	—	—	—
		80-100	—	—	10	—	—	—	—	—
	BLH	15-60	—	—	22	—	—	—	—	—
		70	—	—	22	—	—	—	—	—
		80-100	—	—	—	22	—	—	—	—
	HBL	15-55	—	—	65	—	—	—	—	—
		60-100	—	—	—	65	—	—	—	—
	BLR (240V)	15-60	—	—	—	10	—	—	—	—
		70-100	—	—	—	—	10	—	—	—
	BLE (GFCI)	15-30	10	—	—	—	—	—	—	—
		40-60	—	10	—	—	—	—	—	—
	BLEH (GFCI)	15-30	22	—	—	—	—	—	—	—
15-60		—	22	—	—	—	—	—	—	
BLF (GFCI)	15-30	10	—	—	—	—	—	—	—	
	40-60	—	—	10	—	—	—	—	—	
BLHF (GFCI)	15-30	22	—	—	—	—	—	—	—	
	40-60	—	—	22	—	—	—	—	—	
HBLF2 (GFCI)	15-30	65	—	—	—	—	—	—	—	
	15-20	10	—	—	—	—	—	—	—	
BAF	15-20	22	—	—	—	—	—	—	—	
	15-20	—	—	—	—	—	—	—	—	
BQD	15-60	—	—	65	—	—	—	14	—	
	70-100	—	—	—	65	—	—	14	—	
125	NGB2	15-125	100	100	100	25	25	14	14 <sup>ⓐ</sup>	
		15-125	100	100	100	35	35	22	14 <sup>ⓐ</sup>	
		15-125	100	100	100	65	65	25	14 <sup>ⓐ</sup>	
	ED4	15-60	65	—	—	22	—	—	—	
		70-100	—	—	65	—	18	—	30	
		110-125	—	—	65	—	18	—	—	
	ED6	15-60	—	—	65	—	25	18	30	
		70-100	—	—	65	—	25	18	—	
		110-125	100	—	—	—	—	—	—	
	HED4	15-60	100	—	—	—	—	—	—	
70-100		—	—	—	65	—	—	—		
110-125		—	—	—	65	—	—	—		
225	QR2	100-225	—	—	10	—	—	—	—	
	QRH2	100-225	—	—	25	—	—	—	—	
	HQR2	100-225	—	—	65	—	—	—	—	
	HQR2H	100-225	—	—	100	—	—	—	—	

### Subfeed Breakers (available in 2-pole or 3-pole)

Breaker Type	Mounting Position When Used as Subfeed Breaker	Ampere Ratings For Load	Maximum Interrupting Rating (kA) Symmetrical		
			240V AC	480V AC	600V AC
FD6 <sup>ⓐ</sup> , FXD6	Vertical	70-250	65	35	18
HFD6 <sup>ⓐ</sup> , HFXD6	Twin	70-250	100	65	25
JD6 <sup>ⓐ</sup> , JXD6	Single	200-400	65	35	25
HJD6 <sup>ⓐ</sup> , HJXD6	Single	200-400	100	65	35

### Neutral Connectors

Wire Range	Max. Number of Connections	Max. Amps
#14-#1/0	44	125
#4 - 350 kcmil	6	250
(1)#4 - 600 kcmil or (2)#6 - 250 kcmil	1	400

**NOTE:** QR Breakers are twin mounted in unit space and take 6" of unit space. Limited to (6) per panel max. BL, HBL, BLH and BQD breakers are mounted in common mountings in 3" or 4) pole increments. ED2, ED4, ED6 and HED4 breakers are mounted in common mountings in 3" or (6) pole increments.

ⓐ Twin mounted subfeed breakers are mounted at bottom of panelboard only and adds 24" to the panel height.  
 ⓑ Subfeed breaker is mounted at bottom of panelboard only. 400 amp subfeed breaker adds 30" to the panel height.

ⓐ 2-pole only (or) two outer poles of 3-pole breaker.

# Panelboards

## Type P3 Panelboard Modifications and Additions

**Selection**

### Enclosures

#### Extra Gutter to Sides or Ends of the Can (Type 1 Only)

Description
6" end gutter 2" side gutter Barrier in gutter (add to extra gutter price – min 4" required)
Hinged trims Piano hinged trims Door-in-door trims Screw to the box trims
Trim mounted devices <ul style="list-style-type: none"> <li>• Pilot lights</li> <li>• Toggle switches</li> <li>• Push buttons</li> </ul>
Painted boxes Custom colours Increase gauge trims and boxes Stainless steel trims, Type 1

### Meters

(Contact sales for pricing and application engineering for space requirements)

### Panel Skirts

See page 10-64

### Panel Bus Modifications

Represented by "A" "C" or "E" in the 11th digit of the catalogue number

Standard bussing is tin plated Al, alternate bus bar material can be selected: <ul style="list-style-type: none"> <li>▪ Tin plated copper</li> <li>▪ Silver plated copper - optional</li> </ul>
---

### Subfeed and Feed-Thru (for 2-pole or 3-pole)

Ampere Rating	Connector Cu / Al Wire Range	Unit Space (inches)
---------------	------------------------------	---------------------

#### Subfeed (Double) Lugs for Main Lug Panelboards Only

225/250	(2) – #6 AWG-350 kcmil	6
400	(2) – 250 kcmil (1) – 600 kcmil	6

#### Feed-Thru Lugs – Cannot Be Used in Conjunction with SPD or Subfeed Breakers

See page <?> for unit space adders and compatibility with other options.

225/250	(1) – #6 AWG-350 kcmil	6
400	(2) – 250 kcmil (1) – 600 kcmil	6
600	(2) – 250-500 kcmil	9
800	(2) – 600 kcmil	12

### Branch and Main Breaker Accessories

See page 10-44 and Breaker Section <ul style="list-style-type: none"> <li>• Handle blocks</li> <li>• Handle locks</li> <li>• Aux. Contacts<sup>Ⓞ</sup></li> <li>• UVR<sup>Ⓞ</sup></li> </ul>
--

### Increase capacity neutral up to 200%

Main Bus Amps
125
250
400
600

See page 10-44 for unit space adders and compatibility with other options.

### Copper MLO Only

Main Bus Amps
125
250
400
600

(Devices mounted and wired to the trim should also have hinged trim specified)

### Surge Protection Device

See Section 10

### Service Entrance Label

Type P3 Panelboards are factory labeled "SUITABLE FOR USE AS SERVICE ENTRANCE EQUIPMENT" when identified as "Service Entrance" at the time of order entry. For regulations governing this feature, please consult CEC, CSA or local electrical authorities.

P3 service entrance panels are available in type 1 enclosure only (indoor application) and come standard with plated copper.

### Grounding of Panelboards

Ground Bars are shipped with the panel interior factory mounted.

- Non-Insulated Equipment Ground Bar
- Copper Non-Insulated Ground Bar
- Al Insulated Equipment Ground Bar
- Cu Insulated Equipment Ground Bar

### Shunt Trip on Main or Branch

BL, BLH, HBL, BQD, ED4, HED4, ED6, HED6, QR2, QRH2, HQR2, HQR2H as branch only. BL, BLH, HBL, NGB2, HGB2, LGB2, ED2, ED4, HED4, ED6, uses 1" unit space for shunt trip. All others may be used on mains or subfeeds.

Ⓞ Accessories on 1" pole breakers (BL, BQD, ED) will take unit space.

# Panelboards

## Type P3 Panelboard Standard Modifications

*Selection*

### Option Combinations

Amps	Incoming	Subfeed Lugs	Feed-thru Lugs	FDa Subfeed	JD <sup>①</sup> Subfeed	FD <sup>②</sup> Subfeed	200% Neutral	Min. Box Size (in.)	Unit Space (in)	
400 <sup>②③</sup>	Main Lug Only	•	—	—	—	—	•	56	21	
		—	•	—	—	—	•	56	15	
		—	—	•	—	—	•	56	9	
		—	—	—	•	—	•	56	9	
		—	—	—	—	•	•	62	9	
	Main Breaker (JD)	None Std.	—	•	—	—	—	•	56	9
		—	—	•	—	—	—	•	62	9
		—	—	—	•	—	—	•	68	9
		—	—	—	—	•	—	•	68	9
		—	—	—	—	—	•	•	74	9
600 <sup>②③</sup>	Main Lug Only	—	•	—	—	—	•	56	21	
		—	—	•	—	—	•	56	15	
		—	—	—	•	—	•	56	9	
		—	—	—	—	•	—	56	9	
		—	—	—	—	—	•	•	62	9
	Main Breaker LD	—	—	•	—	—	—	•	56	9
		—	—	—	•	—	—	•	62	9
		—	—	—	—	•	—	•	68	9
		—	—	—	—	—	—	—	68	9
		—	—	—	—	—	•	•	74	9
800 <sup>②③</sup>	Main Lug Only	—	•	—	—	—	•	56	21	
		—	—	•	—	—	•	56	9	
		—	—	—	•	—	•	56	9	
		—	—	—	—	•	—	56	9	
		—	—	—	—	—	•	•	62	9

① Subfed lugs are currently not offered as standard with main circuit breakers.

② Subfed lugs on panels above 400A are not standard.

③ 200% neutral cannot be provided along with a 400A subfeed breaker because the breaker blocks the 4th lug site.

# Panelboards

## Type P3 Panelboard Modifications and Additions

*Selection*

### Compression Lugs

Style	Amp Rating	Breaker Type	Compression Connectors	Box Height Addition
MLO	400	N/A	(1) 250 - 500 kcmil or (2)# 1/0 AWG - 250 kcmil	—
	600	N/A	(2)#3/0 AWG - 500 kcmil	—
	800	N/A	(2) 400-750 kcmil Cu only	—
Main Breaker	400	JD6, JXD6, HJD6, SJD6, SHJD6	(2)#1/0 AWG - 500 kcmil Cu or Al	—
	600	LD6, LXD6, HLD6, SLD6, SHLD6	(2)#2/0 AWG - 500 kcmil Cu or Al	—

### Alternate Lugs

Style	Amp Rating	Breaker Type	Standard AL Connectors	Box Height Addition
MLO	400	N/A	(1) 250 - 750 kcmil or (2)#3/0 AWG - 250 kcmil Cu or Al	6
	800	N/A	(3) 500 kcmil	6
	800	N/A	(4) 1/0-750 kcmil Cu or Al	6
Main Breaker	400	JD6, JXD6, HJD6, SJD6, SHJD6	(1)#4/0 AWG - 750 kcmil Cu or Al	6

### Enclosure Modifications

24" Panel Width Description
Type 3R enclosures
Type 3R/12 enclosures <sup>①</sup>
Gasket between trim and box (Type 1)

### Type 4X For Type P3<sup>③</sup>

#### Water Tight, Dust Tight and Corrosion Resistant

(consult plant for actual enclosure size and for Type 4<sup>②</sup> enclosures)

Box Height Inches	Enclosure – Stainless Steel		
	H	W	D
56	56	24	7.75
62	62	24	7.75
68	68	24	7.75
74	74	24	7.75
80	80	24	7.75

① 16 Gauge Cans w/ 14 Gauge Front)

② 14 Gauge only

③ 14 Gauge only - 304SS Std, 316SS Optional)

# Panelboards

## Type P3 Panelboard Kits and Accessories

*Selection*

### Standard Enclosures

Box Height (in.)	Catalog Number				
	Type 1 Standard Trim			Type 3R	Type 3R/12
	Box	Surface	Flush		
56	24WD56	P3S56	P3F56	24NRD56	24WPD56
62	24WD62	P3S62	P3F62	24NRD62	24WPD62
68	24WD68	P3S68	P3F68	24NRD68	24WPD68
74	24WD74	P3S74	P3F74	24NRD74	24WPD74
80	24WD80	P3S80	P3F80	24NRD80	24WPD80

### Options For Type 1 Trims

Items must be ordered as manual line item on factory  
 Hinged trim – Add "H" suffix  
 Door-in-door – Add "D" suffix  
 Metal card holder - Add "M" suffix  
 Provision for padlock - Add "-PL" suffix  
 Service entrance application - Add "SE" suffix

### Breaker Kits and Accessories

Kit Number	Description	Contents
BBKGB32 (P2/P3)	NGB2, HGB2, LGB2 3" branch breaker kit	Kit contains top barrier, (3) A/C connectors, (1) B connector, hardware
BBKB32 (P2/P3)	BL/BQD 6-pole 3" branch breaker kit	Kit contains top barrier, (3) A/C connectors, (1) B connector, hardware
BBKNB32 (P2/P3)	NGB, 6-pole 3" branch breaker kit	Kit contains top barrier, (3) A/C connectors, (1) B connector, hardware
BBKEB32 (P3)	HEB 6-pole 3" branch breaker kit	Kit contains top barrier, (3) A/C connectors, (1) B connector, hardware
BBKED32 (P2/P3)	ED 6-pole 3" branch breaker kit	Kit contains breaker support, inter-phase barriers, (3) A/C connectors, (1) B connector, hardware
BBKQR2 <sup>Ⓞ</sup>	P3 twin BKR mounting kit for 1-phase/3-phase.	Kit contains all connectors and cover plates necessary to mount both 2 and 3-pole breakers
DFK1	BL, BQD, ED deadfront kit for 1" pole breakers	Center strips 3", 6", 9", 15", 21" plus mounting hardware
DFFP3	Deadfront filler 3"	3" empty space filler and hardware
DFFP6	Deadfront filler 6"	6" empty space filler and hardware
P3BK1	P3 bonding kit	Bonding strap and hardware
EBF1	HEB/NEB Filler Plate	Filler Plate
BBKQRP2FK	P3 Filler for QR. Dual mount horizontal. 1-phase/3-phase.	Kit contains all cover plates necessary to change from QJ to QR both 2 and 3-pole breakers. For 1-phase panel, both breakers must change from QJ to QR, cannot have one of each installed.

<sup>Ⓞ</sup> Although QR is rated 250A, it is limited to 225A in panelboard.

## Type P3 Panelboards

### Miscellaneous Parts and Accessories

Catalogue Number	Description
EGK	Al Ground Bus 44 Connections
BK1	Bonding kit for 250A max. and all P1 panels
IMK1	Interior Adjusting Kit
9271-1	Directory Card Holder
NBK3	1 Numbering Button Kit "Snap-in" type 1 @ 42
NBK4	1 Numbering Button Kit "Snap-in" type 43 @ 84
NBK5	1 Numbering Button Kit "Snap-in" type 85 @ 126
NBK6	Number Strips 127-168.
NBK7	Number Strips 169-210.
NBK8	Number Strips 211-252.
ECGK	Cu Ground Bus 44 Connections
IGK	Insulated Al Ground Bus
ICGK	Insulated Cu Ground Bus
EWK2	End Wall Kit with Knockouts (24" W x 7.75" D)
DFFP1A	1" Filler Plate (Suitable for replacing QF3 in P1 thru S5 Panelboards and Switchboards)
P3BK1	P3 Bonding Kit
JCK24	24 trim screws and 24 trim clips
DFK1	BL, BQD, ED deadfront kit for 1" (include 7 different length centre strips)
12-1110-01	1 Directory card for 1-42 circuits
MCHK	1 Metallic directory card holder
FPLK2	2 Spare Fas-latch trim locks with 2 keys
DSK724	1 Dripshield 24"W x 7.75"D

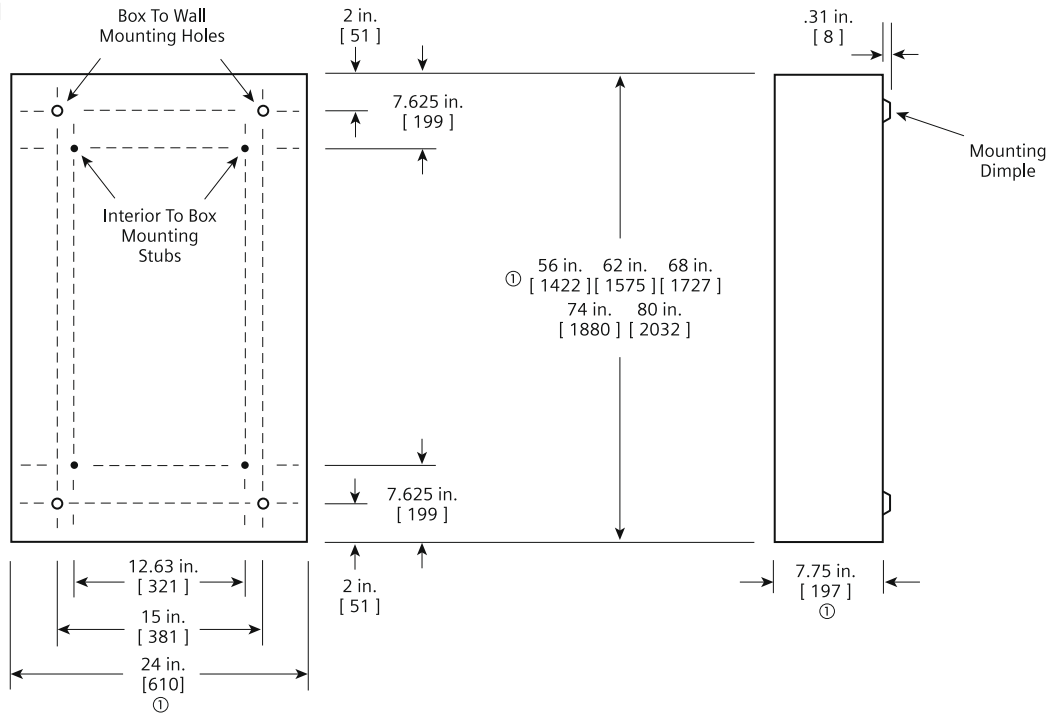
# Panelboards

## Type P3 Panelboards

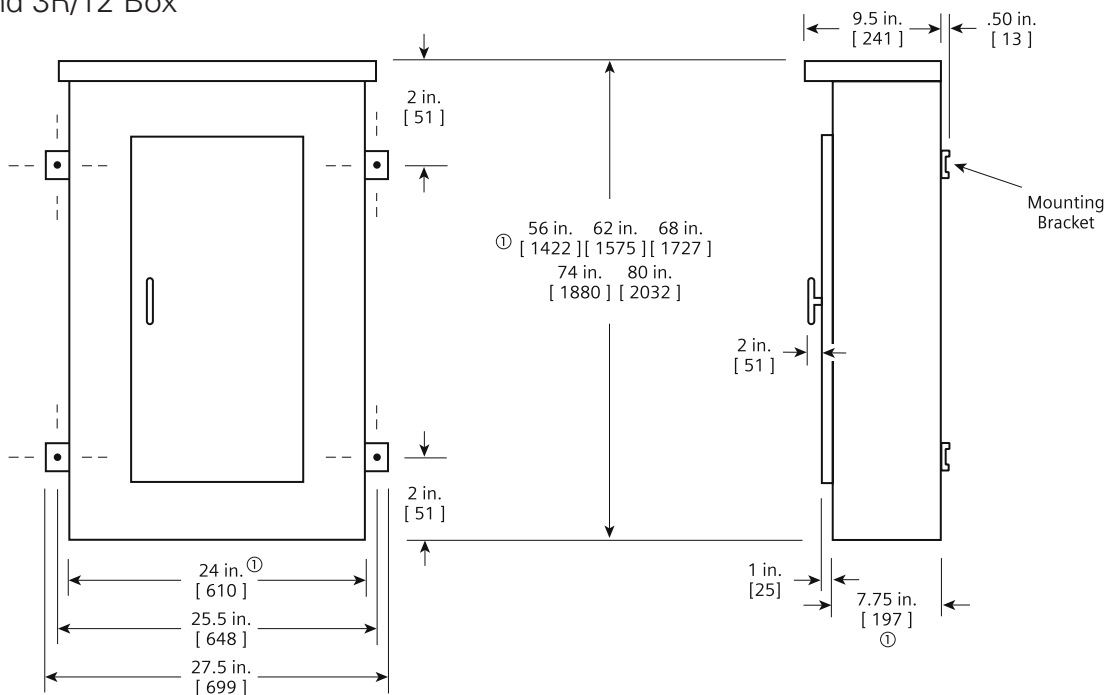
### Dimensions

#### Type 1 Box

Box is symmetrical



#### Type 3R and 3R/12 Box



① Dimensions are interior of the box. Add 5/8" to width for absolute dimension. Add 1/8" to height for absolute dimension.  
**Dimensions shown in inches and millimeters [ ].**

# Panelboards

## Lighting Panel Filler Plates

Filler plates are required for many applications, and over time Siemens has developed many different parts. The charts provided below are to help aid in determining which plate is needed for specific applications. Order by catalogue number for the proper filler plate.

Ref.	Panel Type	Breaker Position	Breaker Type	Orientation	Catalogue No.
A	P1 & RP1, P2, P3, C1, C2	Branch & Main <sup>a</sup>	BL/BQD/xGB/xGB2/ED <sup>ⓐ</sup>	Horizontal or Vertical (as needed)	DFFP1A <sup>ⓐ</sup>
B	P1 & RP1, C1	Main / Subfeed	Blank - No Breaker	Horizontal or Vertical	DFFP01ACAN
C	P1 & RP1	Main / Subfeed	ED, BL/BQD or xGB	Horizontal	DFFPED01CAN
D	P1 & RP1	Main / Subfeed	QJ 2-pole	Horizontal	DFFPQJ02CAN
E	P1 & RP1	Main / Subfeed	QJ 3-pole	Horizontal	DFFPQJ01CAN
F	P1 & RP1	Main / Subfeed	QR	Horizontal	MBKQRFK
G	P1 & RP1	Main / Subfeed	FD	Horizontal	DFFPFD01CAN
H	P1 & RP1	Main	JD	Vertical	DFFPJD01CAN
I	P2 & P3	Branch	BL/BQD/xGB/xGB2/ED	N/A <sup>ⓐ</sup>	DFK1
J	P2 & P3	Branch	Blank - No Breaker	Horizontal	DFFP3
K	P2 & P3	Branch	Blank - No Breaker	Horizontal	DFFP6
L	P2	Branch	QR	Horizontal or Vertical	BBKQRP1FK
M	P3	Branch	QR	Horizontal	BBKQRP2FK
N	P3	Branch	NEB/HEB	Horizontal	EBF1
O	P3	Branch	BL/BQD/xGB/xGB2/ED	Horizontal	DFFP3AP01CAN

<sup>ⓐ</sup> See next page for more specific information.

<sup>ⓐ</sup> QF3/DFFP1A compatibility

- DFFP1A fits tighter in the opening than the QF3 (small spring tabs are stronger on the sides, but otherwise almost identical), thus DFFP1A will not slide out of place without some force being applied.
- In a P1-P2-P3 deadfront, a QF3 will slide out of position when the deadfront is removed from a panel. This makes it difficult to put the deadfront back on the panel.
- Both the QF3 and DFFP1A are approved for use in all panelboards and switchboards. However, only QF3 is approved for use in residential products (load centers, meter combos, etc.).



# Panelboards

## Lighting Panel Filler Plates

Ref.	Catalogue No.	Description	Primary Part Ref.	Min. Order QTY	Comment / Intended use
A	<b>DFFP1A</b>	1" Branch circuit filler plate (Used for BL/BQD/xGB/ xGB2/ED blank positions. Suitable for replacing QF3 in P1-P5 Panelboards and Switchboards) - Also used to fill void where a 2-pole breaker is installed in a 3-pole position in various applications.	11-D-4554-01	1	Blank Filler 1"
B	<b>DFFP01ACAN</b>	P1 Main Blank Filler Plate - 1 Piece (use for Original or Revised P1 - also replaces 12-A-1801-01) (Vertical for 400A Main)	11-D-4560-01 <sup>Ⓢ</sup> (replaces 12-A-1801-01)	5	P1 Blank Filler Plate
C	<b>DFFPED01CAN</b>	P1 Main Filler 100-125A frames ED, BL/BQD or xGB	12-A-1802-01	5	P1 100-125A frame Filler Plate
D	<b>DFFPQJ02CAN</b>	P1 QJ Main Filler Plate 2 pole - 1 Piece	12-A-1802-02	5	P1 QJ Filler Plate
E	<b>DFFPQJ01CAN</b>	P1 QJ Main Filler Plate 3 pole - 1 Piece	12-A-1804-01	5	P1 QJ Filler Plate
F	<b>MBKQRFK</b>	P1/Revised P1 Filler for 1PH/3PH QR. Horizontal Mount only.	11-D-4563-01 <sup>Ⓢ</sup>	1	P1 QR Filler Plate
G	<b>DFFPFD01CAN</b>	P1 FD Main Filler Plate - 1 Piece	12-A-1803-01	5	FD Filler Plate
H	<b>DFFPJD01CAN</b>	P1 JD Main Filler Plate - 1 Piece	11-D-4522-01	5	Deadfront Filler 400 - 800A Breaker
I	<b>DFK1</b>	BL, BQD, ED deadfront kit for 1" pole breakers - Center strips 3", 6", 9", 12", 15", 18", 21" plus mounting hard-ware	Multiple parts 11-D-3018-01 thru ...-07	1	Center strips included (7 sizes) 3", 6", 9", 12", 15", 18", 21" (branch height)
J	<b>DFFP3</b>	Deadfront filler, 3" steel blank filler plate (one each P2 & P3)	11-D-3014-02 11-D-3035-02	1	P2 Blank Deadfront Plate 3" P3 Blank Cover Plate 2.97"
K	<b>DFFP6</b>	Deadfront filler, 6" steel blank filler plate (one each P2 & P3)	11-D-3014-01 11-D-3035-01	1	P2 Blank Deadfront Plate 6" P3 Blank Cover Plate 5.97"
L	<b>BBKQRP1FK</b>	P2 Filler for QR. Horizontal or vertical mount. Contains all cover plates necessary to change from QJ to QR (both 2 and 3-pole breakers).	11-D-3282-01 11-D-4563-01 <sup>Ⓢ</sup> 11-D-4564-01	1	QR Deadfront Plate P1 QR Filler Plate P2 QR Deadfront Filler
M	<b>BBKQRP2FK</b>	P3 Filler for QR. Dual mount horizontal. - Kit contains all cover plates necessary to change from QJ to QR (both 2 and 3-pole breakers). For 1-phase panel, both breakers must change from QJ to QR; cannot have one of each installed.	11-D-4565-01 11-D-3283-01 11-D-3284-01 11-D-3288-01 12-6812-34	1	P3 QR Deadfront Filler P3 DUAL QJ Deadfront Plate P3 DUAL QJ Deadfront Plate P3 QR-QJ Combo Deadfront Plate Breaker Blank Filler
N	<b>EBF1</b>	EB Filler Plate	11-D-4529-01	1	EB Deadfront Filler
O	<b>DFF3AP01CAN</b>	Used for filling space in a P3 deadfront when a BL, BQD, ED, xGB or GB2 branch breaker is installed. Can be replaced in field if lost or damaged.	11-D-3033-01	5	"P3 BL/BQD/xGB/xGB2/ED Adapter Plate 3 inch - 1 Piece per pack."

<sup>Ⓢ</sup> Bulk/OEM Kits available.

Ref.	Filler Plate Eng. Ref. No.	OEM/Bulk Catalog	Catalogue Description	Carton Qty.
A	11-D-4554-01	K11D455401CAN	RP1 Bulk 1" Blank Filler DFFP1A	1300
B	11-D-4560-01	K11D456001CAN	RP1 Blank Filler - Main or Subfeed	158

Bulk/OEM kits are available in carton quantities only and are non-returnable.

# Panelboards

## Lighting Panel Kits

Based on customer and sales feedback, new field-installable kits are now available. These kits will provide easy access to parts and assemblies needed for field replacement or installation.

Ref.	Catalogue No.	Description	Primary Part Ref.	Min. Order QTY	Comment / Intended use
A	LPDC01CAN	Panelboard directory card, 5.5" x 5" - 8 pieces per pack	9270-1 9270-3 9270-8 9270-9 C00425-01 C00425-03 C00425-08 C00425-09	10	New directory card kit includes 8 cards. New cards have 1-42, 43-84, 85-126, and 127-168 circuits.
B	BNK2	P2 neutral 3-step lug - Tin-plated aluminum - 1 piece per pack with mounting hardware	11-A-1862-01	1	Used in P2 neutral assemblies and can be replaced in the field. 14 connections for #6-1/0 wire and 12 connections for #14-#6 wire
C	BNK350NCAN	Narrow 350 KCMIL lug - Tin-plated aluminum - 1 piece per pack with mounting hardware	11-A-1869-01	10	Used in P2/P3 neutral, ground and other locations. Replaceable in the field as needed. One #6-350KCMIL connection.
D	LPP2NB01CAN	P2 Neutral 2-Step lug - Tin-plated aluminum - 1 piece per pack with mounting hardware	15-A-1800-01	10	Used in P2 neutral assemblies and can be replaced in the field. Three connections for #6-1/0 wire and 18 connections for #14-#6 wire.

Figure B

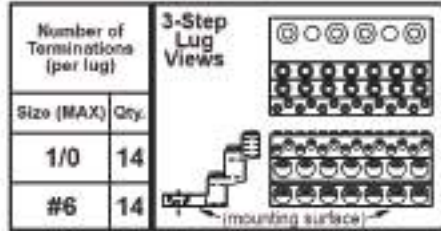


Figure C

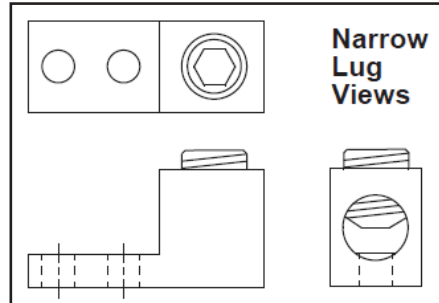
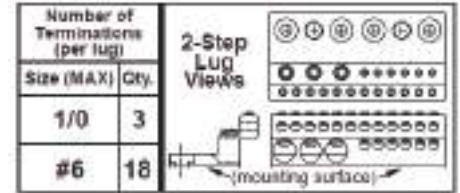


Figure D



# Panelboards

## Lighting Panel Kits

Ref.	Catalogue No.	Description	Primary Part Ref.	Min. Order QTY	Comment / Intended use
E	JCK24	J-Type speed nut - lighting panel fronts - 24 pieces per pack	11-A-1820-01	1	Replacement J-nuts for use with lighting panel fronts and deadfronts. Also used in miscellaneous other applications.
F	DFFP01ACAN	P1 Main blank filler plate - 1 piece per pack	11-D-4560-01	5	Use for original or revised P1 and other horizontal mount applications (Vertical for 400A Main). Also replaces 12-A-1801-01 from legacy panels.
G	DFFPED01CAN	P1 ED Main filler plate - 1 piece	12-A-1802-01	5	Use for original or revised P1 and other horizontal mount applications.
H	DFFPFD01CAN	P1 FD Main filler plate - 1 piece	12-A-1803-01	5	Use for original or revised P1 and other horizontal mount applications.
I	DFFPJD01CAN	P1 JD Main filler plate - 1 piece	11-D-4522-01	5	Use for original or revised P1 400A main.
J	DFFPQJ01CAN	P1 QJ Main filler plate 3-pole - 1 piece	12-A-1804-01	5	Use for original or revised P1 and other horizontal mount applications.
K	DFFPQJ02CAN	P1 QJ Main filler plate 2-pole - 1 piece	12-A-1804-02	5	Use for original or revised P1 and other horizontal mount applications.
L	DFK1-21 <sup>Ⓞ</sup>	P2 Deadfront center plate 21 - 1 piece	11-D-3018-07	1	Individual deadfront center plate 21 inches of unit space for P2 deadfronts
M	DFK1-24 <sup>Ⓞ</sup>	P2 Deadfront center plate 24 - 1 piece	11-D-3018-08	1	Individual deadfront center plate 24 inches of unit space for P2 deadfronts
N	DFFP3AP01CAN	P3 BL/BQD/ED/xGB adaptor plate 3 - 1 piece per pack	11-D-3033-01	5	Used for filling space in a P3 deadfront when a BL, BQD, ED or GB branch breaker is installed. Can be replaced in field if lost or damaged.
O	LPKEY01ACAN	Key for FAS-Latch lock - 4 pieces per pack	B363A	5	Replacement key for FAS-Latch lock - standard key only - Contact Customer Support for special keys.
P	LPKEY01BCAN	Key for FAS-Latch lock - 25 pieces per pack	B363A	5	Replacement key for FAS-Latch lock - standard key only - Contact Customer Support for special keys.
Q	FPLK2	FAS-Latch lock with 2 keys, 14-16 gauge door - for Lighting Panel Type 1 front	11-1895-01	1	Replacement lock for use when door thickness is 14-16 gauge painted steel - approx. 0.07-0.09 thick.
R	LPLOCK02ACAN	FAS-Latch lock with 2 keys, 12 gauge door - for Lighting Panel Type 1 front	11-1895-02	5	Replacement lock for use when door thickness is 12 gauge painted steel - approx. 0.10-0.12" thick.
S	LPLOCK03ACAN	FAS-Latch lock with 2 keys, 10 gauge door - for Lighting Panel Type 1 front	11-1895-03	5	Replacement lock for use when door thickness is 10 gauge painted steel - approx. 0.13-0.15" thick.
T	K71-1804-01	T-Handle lock - for Lighting Panels Type 3R & 12	71-1804-01	1	Replacement lock for use with any P1, P2, & P3 panels with Type 3R/12 enclosures.

Figure E

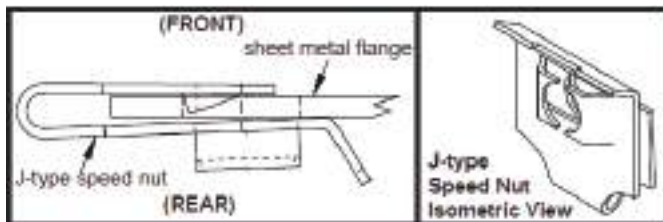
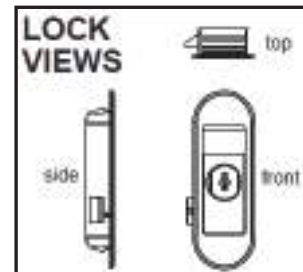


Figure Q, R, S



For more information visit: [www.siemens.ca/powerdistribution](http://www.siemens.ca/powerdistribution).

<sup>Ⓞ</sup> Dead front center plates are available in 3" increments (starting with 3" and up to a maximum of 57"). DFK1-X where "X" represents the deadfront center length in inches.

# Panelboards

## B74FLR Enclosures & Related Bottom Covers

### Quick & Easy Installation Features

This "universal fit" enclosure is capable of sitting on the floor or over the conduit, eliminating the need to extend conduit or cut knockouts. If installed correctly, there will be no need for a panel skirt.

This enclosure includes two bottom endwalls: a standard and a special endwall with a cutout. The standard endwall is mounted at the bottom as usual, and the special endwall is mounted above it with two screws. By removing the standard endwall and moving the special endwall to the lower position, the enclosure can be mounted around conduit stubbed up from the floor.\*

Any size P1 or P2 interior from 26" to 74" can fit in this 20" wide enclosure with the proper lower cover installed. See chart below for part numbers (See back for details).

The bottom section of the enclosure left open by all fronts (except the 74" front) will require a special lower cover installation. These are available in both surface and flush variations in six-inch increments from 6" - 48" height, to match the front "void" sizes. The chart to the right shows which lower covers are available for the interior selected.

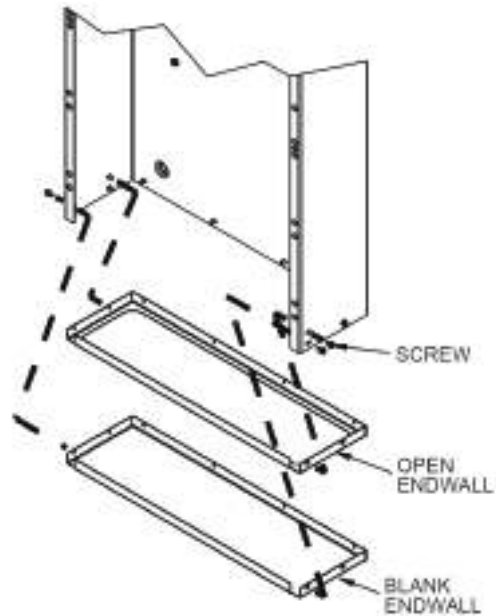
### Contractor Labor Savings

When installed to code, the labor to cut knockouts and extend conduit to the bottom endwall is eliminated.

### Instruction Sheets:

Enclosure: B74FLR Instructions  
 Lower Cover: BXXCVR Instructions  
 Endwall Kit: EWK3 Instructions

### Enclosure Part Number: B74FLR



Standard Box Size	Standard Front Size	Required Lower Cover			
		Flush Mounted		Surface Mounted	
26" x 20"	26"	48"	BXXCVR48F	48"	BXXCVR48S
32" x 20"	32"	42"	BXXCVR42F	42"	BXXCVR42S
38" x 20"	38"	36"	BXXCVR36F	36"	BXXCVR36S
44" x 20"	44"	30"	BXXCVR30F	30"	BXXCVR30S
50" x 20"	50"	24"	BXXCVR24F	24"	BXXCVR24S
56" x 20"	56"	18"	BXXCVR18F	18"	BXXCVR18S
62" x 20"	62"	12"	BXXCVR12F	12"	BXXCVR12S
68" x 20"	68"	6"	BXXCVR06F	6"	BXXCVR06S
74" x 20"	74"	0"	None Required	0"	None Required

\*Contractor is required to seal and install as required per local/national codes.

# Panelboards

## B74FLR Enclosures & Related Bottom Covers

The enclosure to the right shows two mounting studs at the top which are used for all sizes of P1/P2 panels that fit 20" wide x 5.75" deep enclosures. There are two studs at the bottom for mounting a 74" interior (Note: Interior sizes reference the standard enclosure size needed for the interior and front). The 74" can fits the 74" interior and front without any additional covers.

As interiors get shorter in six-inch increments, lower covers are needed to fill the space below the interior and standard front. Mounting holes and hardware are provided for attaching the bottom of the base rails.

Example: A 44" interior is 30" shorter than a 74" enclosure so it will need a 30" lower cover. Pick Surface or Flush to match the front.

### Fronts available to use

- Standard FasLatch Front
  - Screw-to-box front (standard & piano hinge)
- Hinge-to-box front (standard & piano hinge)
- Door-to-door front (standard & piano hinge)

Note: Although stainless steel piano hinge fronts are available, stainless steel lower covers are NOT available at this time.

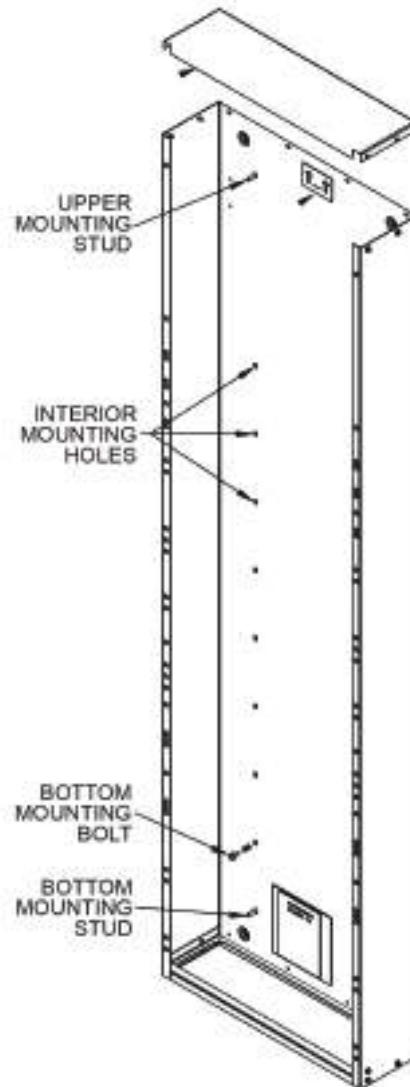
### Special endwall retrofit kit: EWK3

This kit includes the "open" endwall that can be used to replace a standard endwall in any 20" wide x 5.75" deep enclosure if needed for special mounting situations. Contractor is responsible to seal and secure per local/national codes.

Note: This B74FLR Enclosure is cULus Listed as a Electric Cabinet Box and when additional gutter space is available (beyond the required minimum Enclosure size required by the Panel Interior), this additional Gutter space is considered part of the Enclosure and does not require special wiring rules that apply to a "wire way". It is not a Panel Skirt, although in some cases it can be used in place of an Enclosure plus a panel skirt when installed per local and National codes.

Think of this as you would a "Switchboard Enclosure" resting on the floor, similar wiring rules should apply to the open bottom.

### Enclosure Part Number: B74FLR



**SIEMENS**

TOP ↑ (SEE P. 1012 ONLY) ↓

(FOR TYPE 2012 USE UL LISTED MAIN BREAK CONDUIT HUBS)

S.O.	300 123 4567		
ITEM	020012		
CUSTOMER MARKING			
DATE	02/23/18		
CATALOG NO.	B74FLR		
ENCLOSURE TYPE	1		
BOX DIMENSIONS	5.75 Dp. x 20 W. x 74 H.		
LOCATION	D		

SEISMIC INSTALLATIONS ONLY:			
ENCLOSURE TYPE	GRADE 3 HARDWARE (QTY)	TORQUE (LBS-FT)	MAIN BREAK CONDUCTORS
1	1/2"-13 (4)	60	<p style="font-size: x-small;">NOTES: • All line conductors should enter and leave enclosures through the gullies. • The gullies is typical for each side of the enclosure. Mounting may be different on some panels.</p>
3R/12	3/8"-18 (8)	30	

1. Use hardware & tighten per table above.

2. Enlarge mounting holes if required.

3. See marking on drawings for seismic compliance.

UL LISTED ELECTRIC CABINET BOX

USE SIEMENS EQUIPMENT GROUND BUS		Grid, bus location
TYPES: ESK, JOK, ECK, LCK		
Torque required to secure wire sizes listed below:		
Small Terminal	Large Terminal	
(1-2) Wires #14-#12 20 (lb-in)	(1-3) Wires #14-#10 35 (lb-in)	<p style="font-size: x-x-small;">Type 1, 3R &amp; 12 Enclosure</p>
(1) Wire #10 20 (lb-in)	(1) Wire #8-6 40 (lb-in)	
(1) Wire #8-6 30 (lb-in)	(1) Wire #4-3 50 (lb-in)	

Siemens Industry, Inc.  
Norcross, Georgia

15x4-103-011 Rev. 2

Example of Label provided on each enclosure with UL/cULus marking

# Panelboards

## Power and Distribution

*Selection*

Type S5 (SPP6)

**600 Volts AC, 250 Volts DC Maximum  
1200 Ampere Mains**

**1200 Ampere Maximum Branch  
UL & CSA Short Circuit Rating —  
200,000A IR Maximum**

**Branch Breaker Symmetrical  
Interrupting Capacity**

**Based on Underwriters' Test  
Procedure**

Meets 1996 NEC wire bending  
requirement, section 373-6.  
CSA - C22.2 No. 0.12

### Panelboards

Listed by Underwriters' Laboratories,  
Inc., under "Panelboards" File #E2269  
for interiors and #E4016 for boxes and  
fronts. Meet Federal Specification  
W-C375B/Gen. & CSA Certificate No.  
1518681.

### Service

600 Volts AC, 250 Volts DC, Maximum.  
1 Phase, 3 Wire; 3 Phase, 3 Wire; or  
or 3 Phase, 4 Wire.

### Panelboard Fronts and Doors

Standard panelboards are furnished  
with 4 piece trim with ventilation.  
Fronts are fabricated from code gauge  
steel and finished ASA61.

### Main Breakers

All 400A and 1200A frame main break-  
ers are mounted horizontally.

### Main Lug Connectors

Ampere Rating	Connectors Range/Phase
225A - 400A	(1) #1/0-750MCM CU/AL or (2) #1/0-250MCM CU/AL
600A	(2) #1/0-750MCM CU/AL or (4) #1/0-250MCM CU/AL
800A	(3) #1/0-750MCM CU/AL or (6) #1/0-250MCM CU/AL
1200A	(4) #1/0-750MCM CU/AL or (8) #1/0-250MCM CU/AL

### End Gutters

Ampere Rating	Main Lug (inches)	Main Breaker (inches)
400/600	15.967	13.0
800/1200	15.967	13.0

### Boxes

38" wide, 12.75" deep (Type 1, 2)

38" wide, 14.25" deep (Type 3R/12)

### Panelboard Specifications

Maximum Panel Ampere	Unit Space (MLO)	Box Height	120/240Volts 1 Phase, 3 Wire	120/208 Volts 3 Phase, 4 Wire	600 Volts 3 Phase, 3 Wire	347/600 Volts 3 Phase, 4 Wire
400A	30"	60"				
600A	45"	75"				
800A	60"	90"				
1200A	60"	90"				

# Panelboards

## Power and Distribution

Selection

### Main Breaker Selection

Amperage Rating	Breaker Type	Trip Type	Maximum Interrupting Rating (kA)			Available Trip Values
			240V	480V	600V	
400	JXD6 JD6 HJD6 HHJD6 CJD6	Thermal Magnetic	65	35	25	200, 225, 250, 300, 350, 400
			65	35	25	200, 225, 250, 300, 350, 400
			100	65	35	200, 225, 250, 300, 350, 400
	SJD6 SHJD6 SCJD6	Electronic (Solid State)	200	100	50	200, 225, 250, 300, 350, 400
			200	150	100	200, 225, 250, 300, 350, 400
			65	35	25	200, 300, 400
			100	65	35	200, 300, 400
600	LXD6 LD6 HLD6 HHL6 CLD6	Thermal Magnetic	65	35	25	450, 500, 600
			65	35	25	250, 300, 350, 400, 450, 500, 600
			100	65	35	250, 300, 350, 400, 450, 500, 600
	SLD6 SHLD6 SCLD6	Electronic (Solid State)	200	100	50	250, 300, 350, 400, 450, 500, 600
			200	150	100	450, 500, 600
			65	35	25	300, 400, 500, 600
			100	65	35	300, 400, 500, 600
800	MXD6 MD6 HMD6 CMD6	Thermal Magnetic	65	50	25	500, 600, 700, 800
			65	50	25	500, 600, 700, 800
			100	65	50	500, 600, 700, 800
	SMD6 SHMD6 SCMD6	Electronic (Solid State)	200	100	65	500, 600, 700, 800
			65	50	25	600, 700, 800
			100	65	50	600, 700, 800
			200	100	65	600, 700, 800
1200	NXD6 ND6 HND6 CND6	Thermal Magnetic	65	50	25	800, 900, 1000, 1200
			65	50	25	800, 900, 1000, 1200
			100	65	50	800, 900, 1000, 1200
	SND6 SHND6 SCND6	Electronic (Solid State)	200	100	65	800, 900, 1000, 1200
			65	50	25	800, 1000, 1200
			100	65	50	800, 1000, 1200
			200	100	65	800, 1000, 1200

### Branch Breaker Side Gutter Inches (mm)

Reference Letter	Panel Width 38 Inches Dimensions in inches (mm)
A	14.00 (356)
B	13.98 (355)
C	11.62 (295)
D	10.00 (254)
E	7.61 (193)
F	8.75 (222)
G	8.25 (210)
J	11.76 (299)
K	7.92 (201)
M	13.42 (341)
N	12.00 (305)
P	14.25 (362)
Q	13.42 (341)

← A →	<b>BL, BLH, HBL, BQD</b>	<b>BL, BLH, HBL, BQD</b>	← A →
← B →	<b>NGB2, HGB2, LGB2</b>	<b>NGB2, HGB2, LGB2</b>	← B →
← D →	<b>ED4, ED6, HED4, HHED6</b>	<b>ED4, ED6, HED4, HHED6</b>	← D →
← E →	<b>CED6</b>	<b>CED6</b>	← E →
← F →	<b>QR2, QRH2, HQR2, HQR2H</b>	<b>QR2, QRH2, HQR2, HQR2H</b>	← F →
← G →	<b>FD6, FXD6, HFD6, HHFD6</b>	<b>FD6, FXD6, HFD6, HHFD6</b>	← G →
← AA →	<b>3VA52 (MFAS, HFAS, CFAS)</b>	<b>3VA52 (MFAS, HFAS, CFAS)</b>	← AA →
← AB →	<b>3VA61 (MDAE, HDAE, CDAE, LDAE)</b>	<b>3VA61 (MDAE, HDAE, CDAE, LDAE)</b>	← AB →
← AC →	<b>3VA62 (MFAE, HFAE, CFAE, LFAE)</b>	<b>3VA62 (MFAE, HFAE, CFAE, LFAE)</b>	← AC →
← J →	<b>CFD</b>		← J →
← K →	<b>JD6, JXD6, HJD6, HHJD6</b>	<b>JD6, JXD6, HJD6, HHJD6</b>	← K →
← M →	<b>SJD6, SHJD6, LD6, LXD6, HLD6, HHL6, SLD6, SHLD6</b>		← M →
← N →	<b>CJD6, SCJD6, CLD6, SCLD6</b>		← N →
← P →	<b>MXD6, MD6, HMD6, CMD6, NXD6, ND6, HND6, CND6</b>		← P →
← Q →	<b>SMD6, SHMD6, SCMD6, SND6, SHND6, SCND6</b>		← Q →



# Panelboards

## Power and Distribution

Selection

### Branch Circuit Breaker Selection<sup>①</sup>

Breaker Frame Rating	Trip Type	Breaker Type	Poles	Trip Amperage	Mounting Height Inches (mm)			Max IC Rating (kA)				
					Single	Twin	Gutter <sup>③</sup>	240V	480V	600V		
100	Thermal Magnetic	BL	1, 2, 3	15, 20, 25, 30, 40, 50, 60, 70, 80, 90, 100	—	3.75 (95) <sup>②③</sup>	14 (356)	10	—	—		
		BLH	1, 2, 3	15, 20, 25, 30, 40, 50, 60, 70, 80, 90, 100	—	3.75 (95) <sup>②③</sup>	14 (356)	22	—	—		
		HBL	1, 2, 3	15, 20, 25, 30, 40, 50, 60, 70, 80, 90, 100	—	3.75 (95) <sup>②③</sup>	14 (356)	65	—	—		
		BOD6 <sup>④</sup>	1, 2, 3	15, 20, 30, 40, 50, 60, 70	—	3.75 (95) <sup>②③</sup>	14 (356)	65	—	10		
	Ground Fault Circuit Interrupter	BLE (GFCI)	1, 2	15, 20, 30, 40, 50, 60	—	3.75 (95) <sup>②</sup>	14 (356)	10	—	—		
		BLF (GFCI)	1, 2	15, 20, 30, 40, 50, 60	—	3.75 (95) <sup>②</sup>	14 (356)	10	—	—		
BLHF (GFCI)		1, 2	15, 20, 30, 40, 50, 60	—	3.75 (95) <sup>②</sup>	14 (356)	22	—	—			
Arc Fault Circuit Interrupter	BAF (AFCI)	1	15, 20	—	3.75 (95) <sup>②</sup>	14 (356)	10	—	—			
	BAFH (AFCI)	1	15, 20	—	3.75 (95) <sup>②</sup>	14 (356)	22	—	—			
125	Thermal Magnetic	ED2	1, 2, 3	15, 20, 30, 40, 50, 60, 70, 80, 90, 100	3.75 (95) <sup>②③</sup>	3.75 (95) <sup>②③</sup>	10 (254)	10	—	—		
		ED4	1, 2, 3	15, 20, 30, 40, 50, 60, 70, 80, 90, 100, 110, 125	3.75 (95) <sup>②③</sup>	3.75 (95) <sup>②③</sup>	10 (254)	65	18	—		
		ED6	1, 2, 3	15, 20, 30, 40, 50, 60, 70, 80, 90, 100, 110, 125	3.75 (95) <sup>②③</sup>	3.75 (95) <sup>②③</sup>	10 (254)	100	18	18		
		HED4	1, 2, 3	15, 20, 30, 40, 50, 60, 70, 80, 90, 100, 110, 125	3.75 (95) <sup>②③</sup>	3.75 (95) <sup>②③</sup>	10 (254)	100	65	30		
		CED6	2, 3	15, 20, 30, 40, 50, 60, 70, 80, 90, 100, 110, 125	3.75 (95) <sup>③</sup>	3.75 (95) <sup>③</sup>	7.61 (193)	200	200	100		
		NGB2	1, 2, 3	15, 20, 25, 30, 40, 50, 60, 70, 80, 90, 100, 110, 125	3.75 (95) <sup>②③</sup>	3.75 (95) <sup>②③</sup>	13.98 (355)	100	25	14		
		HGB2	1, 2, 3	15, 20, 25, 30, 40, 50, 60, 70, 80, 90, 100, 110, 125	3.75 (95) <sup>②③</sup>	3.75 (95) <sup>②③</sup>	13.98 (355)	100	35	22		
		LGB2	1, 2, 3	15, 20, 25, 30, 40, 50, 60, 70, 80, 90, 100, 110, 125	3.75 (95) <sup>②③</sup>	3.75 (95) <sup>②③</sup>	13.98 (355)	100	65	25		
		150	Electronic (Solid State)	3VA61 (MDAE)	3	40, 100, 150	5 (127)	5 (127)	9.59 (244)	100	35	18
				3VA61 (HDAE)	3	40, 100, 150	5 (127)	5 (127)	9.59 (244)	100	65	22
3VA61 (CDAE)	3			40, 100, 150	5 (127)	5 (127)	9.59 (244)	200	100	35		
3VA61 (LDAE)	3			40, 100, 150	5 (127)	5 (127)	9.59 (244)	200	150	50		
225	Thermal Magnetic	QR2	2, 3	100, 110, 125, 150, 175, 200, 225	5 (127)	5 (127)	8.75 (222)	10	—	—		
		QRH2	2, 3	100, 110, 125, 150, 175, 200, 225	5 (127)	5 (127)	8.75 (222)	25	—	—		
		HQR2	2, 3	100, 110, 125, 150, 175, 200, 225	5 (127)	5 (127)	8.75 (222)	65	—	—		
		HQR2H	2, 3	100, 110, 125, 150, 175, 200, 225	5 (127)	5 (127)	8.75 (222)	100	—	—		
250	Thermal Magnetic	FXD6, FD6	2, 3	70, 80, 90, 100, 110, 125, 150, 175, 200, 225, 250	5 (127)	5 (127)	8.25 (210)	65	35	22		
		HFD6	2, 3	70, 80, 90, 100, 110, 125, 150, 175, 200, 225, 250	5 (127)	5 (127)	8.25 (210)	100	65	25		
		CFD6	2, 3	70, 80, 90, 100, 110, 125, 150, 175, 200, 225, 250	—	5 (127)	11.76 (299)	200	200	100		
		3VA52 (MFA5)	2, 3	40, 45, 50, 60, 70, 80, 90, 100, 110, 125, 150, 175, 200, 225, 250	5 (127)	5 (127)	10.10 (257)	85	35	18		
		3VA52 (HFA5)	2, 3	40, 45, 50, 60, 70, 80, 90, 100, 110, 125, 150, 175, 200, 225, 250	5 (127)	5 (127)	10.10 (257)	100	65	25		
		3VA52 (CFAS)	2, 3	40, 45, 50, 60, 70, 80, 90, 100, 110, 125, 150, 175, 200, 225, 250	5 (127)	5 (127)	10.10 (257)	200	100	35		
	Electronic (Solid State)	3VA62 (MFAE)	3	100, 250	5 (127)	5 (127)	9.59 (244)	100	35	18		
		3VA62 (HFAE)	3	100, 250	5 (127)	5 (127)	9.59 (244)	100	65	22		
		3VA62 (CFAE)	3	100, 250	5 (127)	5 (127)	9.59 (244)	200	100	35		
		3VA62 (LFAE)	3	100, 250	5 (127)	5 (127)	9.59 (244)	200	150	50		
400	Thermal Magnetic	JXD6, JD6	2, 3	200, 225, 250, 300, 350, 400	8.75 (222)	8.75 (222)	7.92 (201)	65	35	25		
		HJD6	2, 3	200, 225, 250, 300, 350, 400	8.75 (222)	8.75 (222)	7.92 (201)	100	65	35		
		HHJD6	2, 3	200, 225, 250, 300, 350, 400	8.75 (222)	8.75 (222)	7.92 (201)	200	100	50		
		CJD6	2, 3	200, 225, 250, 300, 350, 400	8.75 (222)	—	12 (305)	200	150	100		
	Electronic (Solid State)	SJD6	3	200, 300, 400	8.75 (222)	—	13.42 (341)	65	35	25		
		SHJD6	3	200, 300, 400	8.75 (222)	—	13.42 (341)	100	65	35		
600	Thermal Magnetic	LD6	2, 3	250, 300, 350, 400, 450, 500, 600	8.75 (222)	—	13.42 (341)	65	35	25		
		HLD6	2, 3	250, 300, 350, 400, 450, 500, 600	8.75 (222)	—	13.42 (341)	100	65	35		
		HHL6	2, 3	250, 300, 350, 400, 450, 500, 600	8.75 (222)	—	13.42 (341)	200	100	50		
		CLD6	2, 3	450, 500, 600	8.75 (222)	—	12 (305)	200	150	100		
Electronic (Solid State)		SLD6	3	300, 400, 500, 600	8.75 (222)	—	13.42 (341)	65	35	25		
	SHLD6	3	300, 400, 500, 600	8.75 (222)	—	13.42 (341)	100	65	35			
	SCLD6	3	300, 400, 500, 600	8.75 (222)	—	12 (305)	200	150	100			
800	Thermal Magnetic	MXD6	2, 3	500, 600, 700, 800	10 (254)	—	13 (330)	65	50	25		
		MD6	2, 3	500, 600, 700, 800	10 (254)	—	13 (330)	65	50	25		
		HMD6	2, 3	500, 600, 700, 800	10 (254)	—	13 (330)	100	65	50		
		CMD6	2, 3	500, 600, 700, 800	10 (254)	—	13 (330)	200	100	65		
	Electronic (Solid State)	SMD6	3	600, 700, 800	10 (254)	—	12 (305)	65	50	25		
		SHMD6	3	600, 700, 800	10 (254)	—	12 (305)	100	65	50		
1200	Thermal Magnetic	NXD6	2, 3	800, 900, 1000, 1200	10 (254)	—	13 (330)	65	50	25		
		ND6	2, 3	800, 900, 1000, 1200	10 (254)	—	13 (330)	65	50	25		
		HND6	2, 3	800, 900, 1000, 1200	10 (254)	—	13 (330)	100	65	50		
		CND6	2, 3	800, 900, 1000, 1200	10 (254)	—	13 (330)	200	100	65		
	Electronic (Solid State)	SND6	3	800, 1000, 1200	10 (254)	—	12 (305)	65	50	25		
		SHND6	3	800, 1000, 1200	10 (254)	—	12 (305)	100	65	50		
		SCND6	3	800, 1000, 1200	10 (254)	—	12 (305)	200	100	65		

① Space includes housing frame plate with blank cover plate. Provision includes all necessary mounting hardware, less circuit breaker, and includes housing frame cover plate with breaker handle opening.

② 1 to 6 poles may be mounted in 3.75" (95) of unit space

③ Accessories such as shunt trips on three pole breakers require 6.25" (159) of unit space.

④ Also 10kA at 600Y/347 Volts.

⑤ Refer to Table 5 for layout dimensions.

# Panelboards

## Modifications and Additions

### Type S5

When required, special constructions or additions to standard panelboards may be specified for all **factory-assembled** Power and Distribution Panelboards. Below and on the next page are listed many of those available for Type S5 panelboards. In no case do these apply to **Narrow** (Column) Width Lighting Panelboards or **Unassembled** Panelboards.

#### 1. Miscellaneous

ENCLOSURE TYPE
Type 1
Type 2 (Drip-proof)
Type 3R
Type 12

#### 2. Painted Finish

Touch-Up Paint (ASA61, Light Gray) 12 oz. aerosol can, Catalog Number TUP61
---

#### 3. Miscellaneous Accessories

Nameplate — laminated, engraved Tamper-Resistant Screws
--

#### 4. Devices Mounted on Gutter Cover — Includes Device, Mounting — Wired or Unwired

Toggle Switch — SPST or 3-way; 15A
Pilot Light — General Purpose, Neon or Incandescent
Pushbutton

#### 5. Feed-Thru Lugs<sup>①</sup> (One Set Per Panel)

Ampere Rating	Unit Space (Additional inches)	
	3-Pole	2-Pole
400		MLO
600	Consult Sales	10
800	Consult Sales	17.5
1200		17.5

#### 6. MLO Compression Lugs —

Available as main lugs and neutral lug.

Ampere Rating	Aluminum (Specify Size)	Copper (Specify Size)	Deduct From Available Unit Space (inches)
400	Consult Sales Office	Consult Sales Office	5
600			5
800			5
1200			5

#### 7. Grounding of Panelboards<sup>②</sup>

Non-Insulated Equipment Ground Bus Including Ground Lug  
Insulated Equipment Ground Bus Including Ground Lug

#### 8. Remote Control Switches<sup>③④</sup>

600V AC Ampere Rating	ASCO 920 Mechanically Held <sup>⑤⑥</sup>		Siemens CLH Electrically Held <sup>⑥</sup>	
	2-Pole	3-Pole	2-Pole	3-Pole
30	Unit space 20"		Unit space 20"	
60				
75				
100				
150 <sup>④</sup>				
200 <sup>④</sup>				
225				

#### 9. Increased Capacity Neutral

Ampere Rating	Unit Space (inches)	
	Phase	Neutral
400	600	None
400	800	None
600	1200	None
800	1200	None

#### 10. Circuit Breaker Accessories

**Handle Blocking Device**  
**Blocks handle in either the "ON" or "OFF" position. Available for:**

Breaker Type	Cat. Number
BL, BLH, HBL, BQ, BQH, HBQ	ECQL1
All BQD, GB	BQDHBD
All QR	HPLQR
All BQD, NGB, NGB2, HGB2, LGB2	BQDPLD
All ED	E2HBL
All FD	FD6HB1
All JD, LD	JD6HBL
All MD, ND, PD	MN6BL
3VA52/61/62	3VA93780LB10

## Selection

#### Padlocking Device — Padlocks in "OFF" position. Available for:

Breaker Type	Cat. Number
BQ, BQH, BL, BLH, HBL	ECQLD3
One Pole BL, BLF, BE, BAF	ECPLD1
Two-Pole BL, BLF, BE	ECPLD2
All QR	HPLQR
All BQD, NGB, NGB2, HGB2, LGB2	BQDPLD
All ED	ED2HPL
All FD	FD6PL1
All JD, LD	JD6HPL
All MD, ND, PD	MN6PLD
3VA52/61/62	3VA91380LB11

#### 11. Ground Fault Sensing Relay Kit<sup>®</sup> Equipment Protection (30 mA)

For Use with Breaker Types	Number of Poles	Description
ED4, ED6, HED4	1, 2, 3	Basic kit Basic kit with bell alarm

#### 12. Main Bus

Standard main bus and ground bus are tin plated aluminum. For copper main bus, neutral bus and ground bus change prefix 'A' to 'C' on catalog number and contact your sales office for pricing.

#### 13. Copper Lugs — For Main Lug Only Panels

Standard main lugs and neutral lugs are tin plated aluminum, UL & CSA listed for use with aluminum/copper cables. For copper lugs in the mains and neutral for use with copper cables only, contact sales.

#### 14. Shunt Trip on Main<sup>⑤⑥⑦⑧⑨</sup> and Branches

Description	Cat. Number
"BL, BQD6 (branch only) QR2, QRH2, HQR2, HQR2H, ED2, ED4, HED4 (branch only) All others through 1200A"	See breaker portion of this catalogue

#### 15. Sentron TPS (TVSS Modules)

100kA, 150kA, 200kA, 250kA, 300kA Options Surge Counter Remote Indicator
---

#### 16. Customer Metering

Siemens Digital Metering with Remote Display SEM3 Embedded Metering
--

① For use on main lug, main breaker or main switch panels without subfeed breakers.  
② Ground bar not installed in box.  
③ For short circuit ratings with remote control switches, consult sales office.  
④ Available in 90" high enclosure only. Unit space is 42 1/2" with Test and Monitor Panel; 45" without Test and Monitor Panel.

⑤ Not available on Sensitrip IV.  
⑥ For required unit space — consult local sales office.  
⑦ Price does not include control power transformer.  
⑧ Price 600 Volt 7 1/2" high units.  
Mounting height increases to 6.25" when shunt trip is required.  
⑨ Shunt Trip on 100A frame breakers increases mounting height to 6.25" for twin mounting.

® Not CSA approved.

# Panelboards

## Modifications and Additions Replacements for Circuit Breakers

*Selection*

### Replacement Connecting Strap Guide

The following table may be used to obtain the proper connector kit by measuring the exterior dimensions of the panel. Every attempt has been made to make this table complete and accurate. The table is based on panels produced by ITE, Bulldog and Siemens from 1958 to present. Should any questions arise please contact your Siemens sales office for replacements.

Panelboard				
Tub Width	Depth	Panel Type	Replacement Max Amps	Note
30" - 36" - 42"	9"	OLD CDP	400	MCCB only.
	9.75"	OLD CDP	600	MCCB only.
32" - 38"	13.75"	CDP/VB6	1200A	MCCB series 6 connectors
			600A	"VB" style units only (*)
38"	12.75"	SPP/FPP6	1200A	MCCB series 6 connectors
			600A	"VK" or "VB" style (*)

\* If switch unit width is 17" it is a vacubreak. If switch unit width is 23" or 28" it is a "VK" switch.

### Connecting Strap For Use With SPP/FPP, S5<sup>③</sup>

Max Amp Rating	Breaker Family	Breaker Type	Catalogue Number	Unit Height	Mounting
100	General	BQ, BQH, HB BL, BLH, HBL, BQD6	6BL2C <sup>②③</sup>	3.75" (95)	Twin
125	General	NGB2, HGB2, LGB2	SGB2DCAN	3.75" (95)	Twin
	Sentron	ED2, ED4, ED6, HED4	6E62 <sup>②③</sup>	3.75" (95)	
		CED6	6CLE2 <sup>①</sup>	3.75" (95)	
150	3VA	3VA61	S3VA52TDCAN <sup>⑤</sup>	5" (127)	Twin
225	General Purpose	QR2, QR2H, HQR2, HQR2H	6QR2CAN <sup>⑥</sup>	5" (127)	Twin
	250	Sentron	FXD6, FD6, HFD6, HHFD6	6F62 <sup>①</sup>	5" (127)
VL		NFG, LFG	SFGD	5" (127)	
Sentron		CFD6	6CLF1C	5" (127)	Single
400	3VA	3VA52, 3VA62	S3VA52TDCAN <sup>⑤</sup>	5" (127)	Twin
		Sentron	JXD6, JD6, HJD6, HHJD6	6JJ62 <sup>①</sup>	8.75" (222)
600	Sentron	CJD6	6CLJ1C	8.75" (222)	Single
		LXD6, LD6, HLD6, HHLD6, SLD6, SHLD6, SJD6, SHJD6	6LL61C	8.75" (222)	Single
		CLD6	6CLL1C	8.75" (222)	
		SCJD6, SCLD6	6SCL61C	8.75" (222)	
800	Sentron	MXD6, MD6, HMD6, CMD6, SHMD6, SCMD6, SJD6, SHJD6, SCJD6, SCLD6	6M61C	10" (254)	Single
1200	Sentron	NXD6, ND6, HND6, CND6, SHND6, SCND6	6N61C	10" (254)	Single

### 3VA Breaker Provision Kits

Breaker Type	Cat. Number	Description
3VA52, 3VA61 or 3VA62 Breaker	S3VA52PRCAN	Contains the necessary hardware to land breaker on an existing scrap kit

① These are aluminum connectors. If copper is required please add suffix C.

② 3.75" (95) plate accommodates six 1-pole breakers.

③ Connecting strap kits include connecting straps, hardware, and cover plates for switchboards and power panels. Breakers to be ordered separately.

④ QR filler plate only, use p/n: 6QR2FKCAN.

For copper QR kit, use p/n: 6QR2CCAN.

⑤ To field install a single 3VA52, 3VA61 or 3VA62 breaker to an existing strap, provision kit p/n: S3VA52PRCAN is required.

### Blank Filler Plates (No Breaker Cutout)

For use with Series 6 CDP Panelboards, S5, F2, SMP, FCI and FCII Switchboards.	
Height	SPP/FPP/CDP/VB 6
1.25"	6FPB01
2.50"	6FPB02
3.75"	6FPB03
5.00"	6FPB05
10.00"	6FPB10
15.00"	6FPB15

### Connecting Strap Kits and Front-Filler Plates<sup>①</sup>

For use with NDP-CDP-7, S3

Breakers	Catalogue Number
BQD6 (S3 only)	7 BQD6-2
BL, BLH, HBL,	7 BL-2
ED2, ED4, ED6, HED4	7 E6-2
Filler 1 Pole	DFFP1A

# Panelboards

## Fusible/Power and Distribution

Selection

### Type F2

**600 Volts AC, 250 Volts DC Maximum  
600 Ampere Main Switch,  
1200 Ampere Main Lugs Only  
600 Ampere Maximum Branch  
UL & CSA Short Circuit Rating –  
200,000A IR Maximum**

Meets 1996 NEC wire bending requirement, section 373-6.  
CSA - C22.2 No. 0.12

### Panelboards

Listed by Underwriters' Laboratories, Inc., under "Panelboards" File #E2269 for interiors and #E4016 for boxes and fronts & CSA Certificate No. 1518681.

### Service

600 Volts AC, 250 Volts DC, Maximum. 1 Phase, 3 Wire; 3 Phase, 3 Wire; or 3 Phase, 4 Wire.

### Boxes

38" wide, 12.75" deep, Type 1

### Panelboard Fronts and Doors

Standard panelboards are furnished with 4 piece trim. Fronts are fabricated from code gauge steel and finished ASA61.

### Fuses

The Proper Fuse Type for the Application is Selected Using the Following Parameters:

- Voltage Requirements
- Conductor Ampacity
- Horsepower Requirements
- Maximum Available RMS Fault Current
- CSA Fuse Class

### Main Switch Panel Connectors

Ampere Rating	Connectors Range/Phase
400A-600A	(1, 2) #3/0-500MCM CU or (1) #4/0-500MCM AL
800A	(1-3) #1/0-500MCM CU/AL
1200A	(1-3) #1/0-500MCM CU/AL

### Branch Switch Connectors

Switch Ampere Rating	Wire and Cable Range
30	(1) - #14 - #2 AWG (Cu or Al)
60	(1) - #14 - #2 AWG (Cu or Al)
100	(1) - #14 - #1/0 AWG (Cu or Al)
200	(1) - #6 AWG - 350 kcmil (Cu or Al)
400	(1) - 750 kcmil OR (2) - 250 kcmil (Cu or Al)
600	(2) - 750 kcmil OR (4) - 250 kcmil (Cu or Al)

### Main Lug Panels

Ampere Rating	Connectors Range/Phase
225A - 400A	(1) #1/0-750MCM CU/AL or (2) #1/0-250MCM CU/AL
600A	(2) #1/0-750MCM CU/AL or (4) #1/0-250MCM CU/AL
800A	(3) #1/0-750MCM CU/AL or (6) #1/0-250MCM CU/AL
1200A	(4) #1/0-750MCM CU/AL or (8) #1/0-250MCM CU/AL

### Gutters

Ampere Rating	End Gutters (Minimum inches)	Side Gutters (Minimum inches)
400	12	7.9
600	12	7.9
800	12	7.9
1200	12	7.9

### Maximum VB HP Ratings

Amp Rating	3 Phase			Single Phase	DC
	Volts			Volts	Volts
	240	480	600	240	250
30	7.5	15	20	3	5
60	15	30	50	10	10
100	30	60	50	15	20
200	60	125	50	-	40
400	50	50	50	-	50
600	50	50	-	-	-

### Maximum VK HP Ratings

Amp Rating	3 Phase			Single Phase	DC
	Volts			Volts	Volts
	240	480	600	240	250
30	7.5	15	20	3	5
60	1.5	30	50	10	10
100	30	50	75	15	20
200	60	125	150	15	40

### CSA Fuse Classes

Class	Amperes	Volts	Interrupting Ratings	$I^2t$ , $I_p$	Circuits
H (code)	1-600A	250 and 600V or less AC	10,000A	-	Less than 10,000A available
K <sup>®</sup>	1-600A	250 and 600V or less AC	50,000A	-	Feeder circuits
J	1-600A	600V or less	To 200,000A	$I^2t$ -Low $I_p$ -Low	Feeder circuits (motor load small %)
RK1	1/10-600A	600V or less 250V or less	To 200,000A	$I^2t$ -Slightly > J $I_p$ -Slightly > J	Feeder circuits (motor load small %)
RK5	1/10-600A	600V or less 250V or less	To 200,000A	$I^2t$ - > RK-1 $I_p$ - > RK-1	Motor starting currents a factor
T	1-600A	300 and 600V or less AC	To 200,000A	$I^2t$ -Low $I_p$ -Low	Non-motor loads
L	601-5000A	600V or less	To 200,000A	$I^2t$ -Low $I_p$ -Low	Feeder circuits motor loads

# Panelboards

## Power and Distribution

*Selection*

Type F2

Maximum Panel Ampere	Unit Space (MLO)	Box Height				
400A	30"	60"	120/240Volts 1 Phase, 3 Wire	120/208 Volts 3 Phase, 4 Wire	600 Volts 3 Phase, 3 Wire	347/600 Volts 3 Phase, 4 Wire
600A	45"	75"				
800A	60"	90"				
1200A	60"	90"				

### Branch Switches 600V Maximum<sup>①</sup>

Rating Ampere	Maximum Voltage	Fusing (1)	Mounting Height F2 38" W
30/30A (VK)	600V	J	6.25(159)
60/60A (VK)			6.25(159)
100/100A (VK)			7.5(190)
200/200A (VK)			10(254)
30/30A, 60/60A, 100/100A (VB)			7.5(190) <sup>②</sup>
200A (VB)			10(254)
400A (VB)			15(381)
600A (VB)			15(381)

① Single or twin units as listed and are valid for class C or J fuses. If class R or T fuse provisions are required add per table above.  
② Not applicable to VB style units 400A and 600A.

③ Use of auxiliary switch kit will require the use of a 7.5" (190) high unit for 30 and 60 Amp. switches.  
④ Refer to Siemens for single phase and DC horsepower requirements.

⑤ Ratings are based on UL test procedure. CSA will not recognize ratings above 100Hp.

# Panelboards

## Modifications and Additions

*Selection*

### Type F2

When required, special constructions or additions to standard panelboards may be specified for all **factory-assembled** Power and Distribution Panelboards. Below and on the next page are listed many of those available, for Type F2 panelboards. In no case do these apply to **Narrow** (Column) Width Lighting Panelboards.

#### 1. Miscellaneous

ENCLOSURE TYPE
Type 1
Type 2 (Drip-proof)
Type 3R
Type 12

#### 2. Painted Finish

Description
Touch-Up Paint (ASA61, Light Gray) 12 oz. aerosol can, Catalog Number TUP-61

#### 3. Miscellaneous Accessories

Nameplate — laminated, engraved Tamper-Proof Screws
--

#### 4. Devices Mounted on Gutter Cover Includes Device, Mounting — Wired or Unwired

Description
Toggle Switch — SPST or 3-way; 15A
Pilot Light — General Purpose, Neon or Incandescent
Pushbutton

#### 5. Grounding of Panelboards<sup>③</sup>

Non-Insulated Equipment Ground Bus Including Ground Lug  
Insulated Equipment Ground Bus Including Ground Lug

#### 6. Remote Control Switches<sup>④</sup> 600V AC

600V AC Ampere Rating	ASCO 920 Mechanically Held <sup>⑤</sup>		Siemens CLH Electrically Held <sup>⑥</sup>	
	2-Pole	3-Pole	2-Pole	3-Pole
30 60 75 100 150 <sup>⑦</sup> 200 <sup>⑦</sup> 225	Unit space 20"		Unit space 20"	

#### 7. Increased Capacity Neutral

Ampere Rating		Unit Space (inches)
Phase	Neutral	
400	600	None
400	800	None
600	1200	None
800	1200	None

#### 8. Main Bus

Standard main bus and ground bus is tin plated aluminum. For copper main bus, neutral bus and ground bus change prefix 'A' to 'C' on catalog number and contact your sales office for pricing.

#### 9. Copper Lugs — For Main Lug Only Panels

Standard main lugs and neutral lugs are tin plated aluminum, UL & CSA listed for use with aluminum/copper cables. For copper Lugs in the mains and neutral for use with copper cables only, contact sales.

#### 10. Feed-Through Lugs<sup>①</sup> (One Set Per Panel)

Ampere Rating			Unit Space (Additional inches)
	3-Pole	2-Pole	MLO
400	Consult Sales Office	Consult Sales Office	10
600			10
800			17.5
1200			17.5

#### 11. MLO Compression Lugs

Available as main lugs and neutral lug.

Ampere Rating	Aluminum (Specify Size)	Copper (Specify Size)	Deduct From Available Unit Space (inches)
400			5
600			5
800			5
1200			5

#### 12. VK Switch Accessories

Item	Cat. No.
Fuse Pullers (2) 30/60 mp	FP2
100 amp	FP3
200 amp	FP4

#### 13. Sentron TPS (SPD Modules)

100 KA	200 KA	300 KA
150 KA	250 KA	
Options		
Surge Counter		
Remote Indicator		

#### 14. Customer Metering

Siemens Digital Metering with Remote Display SEM3 Embedded Metering
--

① For use on main lug, main breaker or main switch panels without subfeed breakers.  
② For increase in panelboard height — Consult local sales office.  
③ Ground bar is not installed in box.

④ For required unit space — consult local sales office. Price includes increased enclosure height if required.  
⑤ Devices listed by Underwriters' Laboratories, Inc. When 2 wire control is required. Relay and Terminal Block (9" of unit space required).

⑥ For short circuit ratings with remote control switches consult sales office.  
⑦ Panelboard short circuit rating is limited to 5,000 RMS symmetrical.

# Panelboards

## Modifications, Additions Replacements for Fusible Switches

*Selection*

### Type F2 Replacement Units<sup>①②</sup>

Amperes Rating	600 Volts J Fuses Cat. No.	Height in (mm)
----------------	----------------------------	----------------

### VK Switch For Use With FPP6 Panelboard<sup>③④⑤⑥</sup>

Amperes Rating	VK Switch Cat. No.	Height in (mm)
30/30	VK23611JP	6.25 (159)
60/60	VK23622JP	6.25 (159)
100/100	VK33633JP	7.5 (90)
200/200	VK73644JP	10 (254)

### VB Switch For Use With VB6 Panelboards<sup>⑦</sup>

Amperes Rating	VB Switch Cat. No.	Height in (mm)
30/30	V7E3611JP	7.5(190)
60/60	V7E3622JP	7.5(190)
100/100	V7E3633JP	7.5(190)
200	V7F3604JP	10(254)
400	V7H3605JP	15(381)
600	V7H3606JP	15(381)

Panelboard				
Tub Width	Depth	Panel Type	Replacement Max Amps	Note
30" - 36" - 42"	9"	OLD CDP	400	MCCB only.
	9.75"	OLD CDP	600	MCCB only.
32" - 38"	13.75"	CDP6/VB6	1200A 600A	MCCB series 6 connectors "VB" style units only (*)
38"	12.75"	SPP6/FPP6	1200A	MCCB series 6 connectors "VK" or "VB" style (*)
			600A	

### Connecting Strap Kits<sup>⑩</sup>

Rating Amperes	VB Switch Cat. No.	VK Switch Cat. No.	HCP Switch Cat. No.
30/30	VB6-71	VK6-57	N/A
60/60			
100/100		VK6-58	
200		N/A	
200/200	N/A	VK6-72	
400-600	VB6-150	N/A	F6162DCAN
800-1200	N/A		

### Blank Filler Plates<sup>⑪</sup>

For use with Series 6 CDP Panelboards, S5, F2, FCI and FCII Switchboards.	
Height	SPP/FPP/CDP/VB 6
1.25"	6FPB01
2.50"	6FPB02
3.75"	6FPB03
5.00"	6FPB05
10.00"	6FPB10
15.00"	6FPB15

① For Series 6 Main Devices above 200A, add suffix MS to Catalog Number when ordering.  
 ② When 2-Pole units are required, use 3-Pole.  
 ③ Series 6 (VB6, CDP6) replacement units and connector kits also accommodates FCI and FCII distributions interiors. Units installed after October 1991 will be FPP6 type.  
 ④ Refer to Siemens for units equipped with auxiliary switches.

⑤ Price is for two brackets – to be included with filler plates.  
 ⑥ To be used in tubs with 30-200A, VB units or fillers in 12<sup>5</sup>/<sub>8</sub>" deep tub.  
 ⑦ Can be used as fillers or in place of circuit breakers, VK or VB Switches.  
 ⑧ Special order

⑨ Fusible switch kits include fusible switches and cover plates for switchboards and power panels. Connecting strap kits to be ordered separately.  
 ⑩ Connecting strap kits include connecting straps and hardware. See Note 9 for cover plates.



# Panelboards

## Embedded Micro Metering Module™

*Selection*

### SEM3 System Configured in Panelboards

The Siemens SEM3 system can be configured for factory installation in branch circuit monitoring application. This option can lower the installation time of the system for the installer while providing a factory warranted solution.

The SEM3 system can be factory installed in unit space in type P2 & S5 Siemens panel boards. Please note P1 and P3 configurations are not available at this time and the amount of unit space needed varies depending upon the application. Please note that lead time adders will apply and may vary depending upon the configuration of the system.

### SEM3 for use in Siemens Panelboards

#### Available in a Type 1 and 2 rated enclosure



#### Controller

Each SEM3 Controller can monitor up to 45 circuits. Applications that require monitoring more than 45 circuits will require additional controllers.



#### Current Transformers (CTs)

Five sizes of CTs are available for use in the S5 panel: 50, 125, 250, 400, 600, 800 & 1200 amp. Each bracket supports a maximum of 3 CTs and is designed for the breaker selected (brackets are not interchangeable between breaker frames). Each CT will be attached to a data module that is placed in the meter racks.



#### Meter Racks

All meter racks will be installed next to the SEM3 controller unit space. The 21 space meter rack is used as a default option where possible.

**NOTE:** Monitoring of 45 circuits will require: two 21 position racks and one 3 position rack

#### Other Considerations

**Configuration:** Data modules from CTs monitoring a circuit breaker must be mounted adjacent to one another in the meter rack. Any field changes to the factory configuration must take this into account.

**Start-up & Commissioning:** Siemens can provide these services. Contact your local Siemens sales office for more details.

# Panelboards

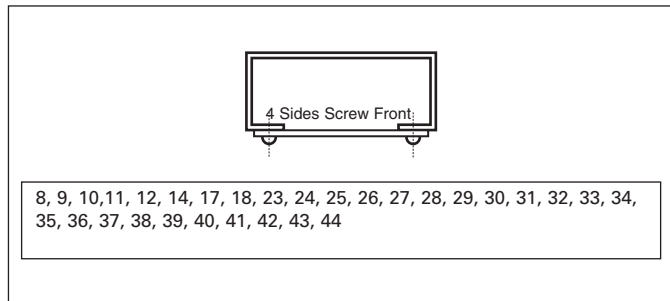
## Panel Skirts/System Types, AC & DC Voltages

### Conduit Enclosing Shield (Panel Skirts)

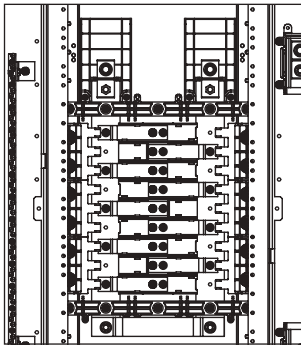
Sheet metal to cover conduits above or below a standard panelboard box.

Skirt Length	Width	Depth
8, 9, 11, 12	20.00	5.75
14, 17, 18, 23, 25	20.00	5.75
26, 27, 28, 29, 30, 31, 32, 33, 34, 35, 36	20.00	5.75
37, 38, 39, 40, 41, 42, 43, 44	20.00	5.75
8, 9, 11, 12	24.00	7.75
14, 17, 18, 23, 25	24.00	7.75
26, 27, 28, 29, 30, 31, 32, 33, 34, 35, 36	24.00	7.75
37, 38, 39, 40, 41, 42, 43, 44	24.00	7.75

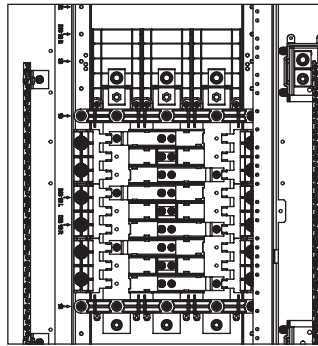
### Panel Skirts Standard Length



### Busing



Single-phase

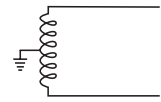


Three-phase

### AC Voltages

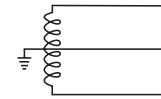
#### 1 phase, 2 wire

- 120V 1 phase, 2 wire
- 240V 1 phase, 2 wire



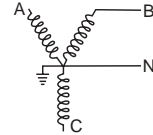
#### 1 phase, 3 wire

- 120/240V 1 phase, 3 wire



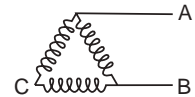
#### 1 phase, 2 wire, Wye

- 277V 1 phase, 2 wire



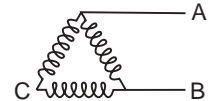
#### 1 phase, 2 wire, Delta

- 480V 1 phase, 2 wire



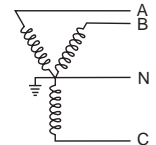
#### 1 phase, 3 wire, Delta

- 240/480V 1 phase, 3 wire



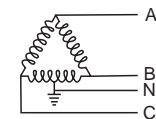
#### 3 phase, 4 wire, Wye

- 208Y/120V 3 phase, 4 wire
- 480Y/277V 3 phase, 4 wire
- 600Y/347V 3 phase, 4 wire



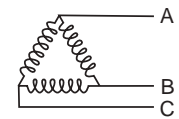
#### 3 phase, 4 wire, Delta

- 240/120V 3 phase, 4 wire
- 480/240V 3 phase, 4 wire



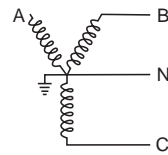
#### 3 phase, 3 wire, Delta

- 240V, 3 phase, 3 wire
- 480V, 3 phase, 3 wire
- 600V, 3 phase, 3 wire
- 240V, 3 phase, 3 wire, grounded B
- 480V, 3 phase, 3 wire, grounded B
- 600V, 3 phase, 3 wire, grounded B



#### 1 phase, 3 wire, Wye

- 208Y/120V 1 phase, 3 wire
- 480Y/277V 1 phase, 3 wire

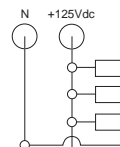


### DC voltage

#### 1 phase, 2 wire

- 125Vdc, 2 wire

(Up to 125Vdc, MLO option only.)



# Panelboards

## Type HCP Switchboard and Power Panel Units, Accessories

Selection

### Features

- CSA certified under file #24563 and UL Listed under file #E6849 Vol 1, Sect. 8
- 400-1200A ratings
- Visible contacts
- Field installable shunt trip and auxiliary switch accessory kits
- Installs in existing Siemens switchboards
- Suitable for use on systems with up to 200,000A available fault current, RMS symmetrical when equipped with Class J or Class L fuses
- Group mounts with other 30A through 600A switches, and 100 through 1200 amp frame breakers
- Allows 800A and 1200A switches in standard 38" wide distribution sections in either main or branch configurations
- 16¼" mounting height is the smallest 1200A design in the industry, allowing up to 4 units in one vertical section
- Field reversible horizontal mounting design for left or right hand cabling
- Handle can be padlocked in the OFF position with up to three padlocks with 5/16" hasps. A cover padlocking provision is also supplied



### 3-Pole, Horizontal Mount ①

Catalogue Number	Maximum Ampere Rating	Maximum AC Voltage Rating <sup>②</sup>	Fuse Class	Dimensions (inches*)			Horsepower Rating						
							240V		480V		600V		250V DC
				H	W	D	Std	Max	Std	Max	Std	Max	
HCP367HJ400	400	600	J	16.25	17.22	7.38	50	125	100	250	125	350	40
HCP367HJ600	600	600	J	16.25	17.22	7.38	75	200	150	400	200	400	40
HCP327HT	800	240	T	16.25	17.22	7.38	100	250	—	—	—	—	50
HCP367H	800	600	L	16.25	17.22	7.38	100	250	200	500	250	500	50
HCP328HT	1200	240	T	16.25	17.22	7.38	100	250	—	—	—	—	50
HCP368H	1200	600	L	16.25	17.22	7.38	100	250	200	500	250	500	50

### 3-Pole, Vertical Mount

HCP367VJ400	400	600	J	17.00	16.25	7.38	50	125	100	250	125	350	40
HCP367VJ600▲	600	600	J	17.00	16.25	7.38	75	200	150	400	200	400	40
HCP327VT	800	240	T	17.00	16.25	7.38	100	250	—	—	—	—	50
HCP367V	800	600	L	17.00	16.25	7.38	100	250	200	500	250	500	50
HCP328VT	1200	240	T	17.00	16.25	7.38	100	250	—	—	—	—	50
HCP368V	1200	600	L	17.00	16.25	7.38	100	250	200	500	250	500	50

## Accessories

### Terminal Connectors (one lug per kit)

Ampere Rating	Catalogue Number	Connector Wire Range
400-600A	TA2K500	(2) #1 AWG-500 kcmil (Cu or Al)
400-600A	TC2K500	(2) #1 AWG-500 kcmil (Cu only)
400-800A	TA3K500	(3) #1 AWG-500 kcmil (Cu or Al)
400-800A	TC3K350	(3) #1 AWG-350 kcmil (Cu only)
800-1200A	TA4H500	(4) #2 AWG-500 kcmil (Cu or Al)
800-1200A	TA3H750	(3) 500-750 kcmil (Cu or Al)

### Auxiliary Switch Kits

Contact Ampere Rating	Maximum Voltage		Switch Mounting	Contacts	Catalogue Number
	AC	DC			
15A	480	125	Left Pole	1NO/1NC	A01HCP4▲
15A	480	125	Right Pole	1NO/1NC	A01HCP4

### Shunt Trip Kit

Control Voltage		Catalogue Number
AC	DC	
120	—	HCPST120
240	—	HCPST240▲
277	—	HCPST277
480	—	HCPST480▲

\*For inches / millimeters conversion, multiply inches by 25.4.

### Switchboard Connection Strap Kit ①

Switch Ampere Rating	Catalogue Number
400-1200A	F6162DCAN

▲ Built to order. Allow 6-8 weeks for delivery.  
① For horizontal mounting only in either 38" wide min switchboards or F2 power panelboards.

### T Fuse Adapter Kits (one per pole)

Catalogue Number	Description
TFAK72	800A, 300V AC
TFAK75	800A, 600V AC
TFAK82	1200A, 300V AC

### HCP Replacement Handle Kit

(For use on all HCP switches)

SW Ampere Rating	Catalogue Number
400-1200A	HCPHK

### Compression Lug Adapter Kit

The use of this kit provides for the mounting of up to four lugs per phase. Each kit accepts lugs with (2) 3/8" diameter mounting holes on 1" centers. One kit per pole line or load is required. Lugs are not provided.

Ampere Rating	Catalogue Number
400-1200A	HCPCLP

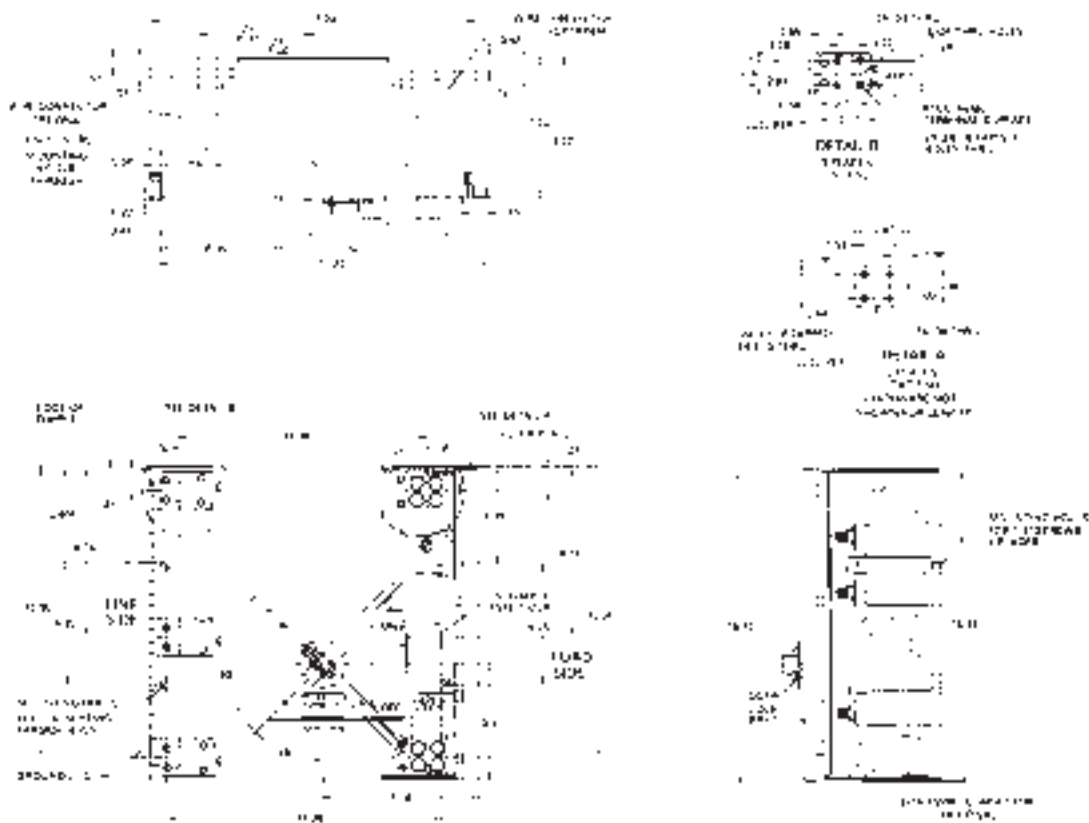
② Both 240 and 600V AC switches are also rated 250V DC max.

# Panelboards

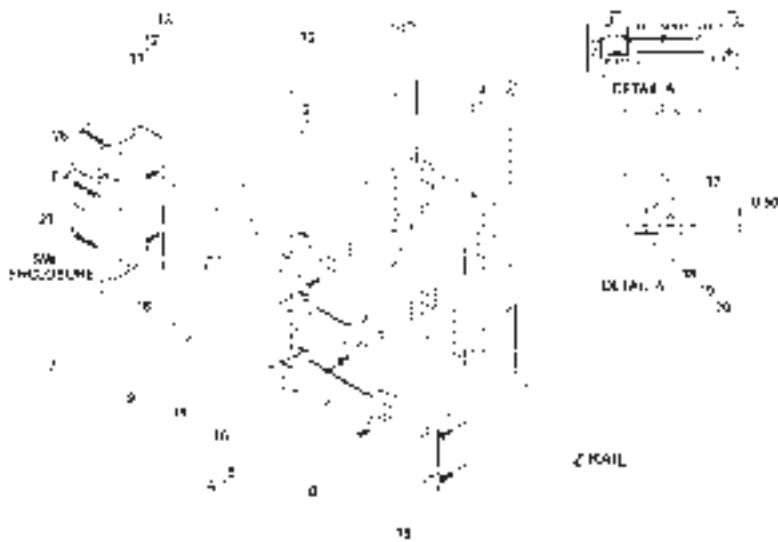
## Type HCP Switchboard Units

*Dimensions*

### Horizontal Mount Drawing



### Group Mounting Assembly (Horizontal Mount Only)



Item	Parts Supplied in Connection Strap Kit Cat. No. #5162D	Qty.
12	ACO Strap-Split	162
34	AC Strap	162
56	ACO Strap-Long	162
78	Switch Mounting Bracket	162
9	Insulation	1
10	1/2" Insulator	2
11	3/8" X 3/4" SHIMS	2
12	3/8" Lock Washer	2
13	3/8" Flat Washer	2
14	3/8" X 3/4" B-HSKR	2
15	Steel Bus Hardware Kit	2
16	1/4" X 3/8" SHIMS	4
17	5/16" Insert	8
18	5/16" X 1" SHIMS	8
19	5/16" Flat Washer	8
20	5/16" Lock Washer	8
21	1/4" X 1" SHIMS	2
26	Ground Bracket	1
27	1/2" X 1/4" SHIMS	2

Refer to the drawing for the dimensions of the unit.  
Note: Items 26 & 27 are supplied with the unit and are not included in the connection kit.

# Panelboards

## Circuit Breaker / Column Type

General

### Type C1

**240 Volts AC Maximum**  
**250 Ampere Mains**  
**250 Ampere Maximum Branch**  
**UL Short Circuit Rating –**  
**200,000 IR Maximum**

**Branch Breaker Symmetrical**  
**Interrupting Rating**

**Based on Underwriters' Test Procedure**

### Type C2

**480Y/277 Volts AC Maximum**  
**250 Ampere Mains**  
**250 Ampere Maximum Branch**  
**UL Short Circuit Rating –**  
**100,000 IR Maximum**

Meets NEC wire bending requirement, section 312-6.

### Panelboards

Listed by Underwriter's Laboratories, Inc., under "Panelboards" File #E2269.

Meets Federal Specification W-C375B/Gen.

### Service

240 Volts Maximum. 1-Phase, 3-Wire, or 3-Phase, 4-Wire.

### Panelboards Fronts and Doors

Standard panelboards are furnished with trim with a flush door lock. All are factory assembled for ease of installation. Fronts are fabricated from code gauge steel and finished ANSI-61.

### Main Breakers C1

BL, BLH and HBL frame breakers are mounted horizontally. All other frames are mounted vertically.

### Main Breakers C2

BQD frame breakers are mounted horizontally. All other frames are mounted vertically.

### Boxes

C1 — 7 $\frac{5}{8}$ " wide, 5 $\frac{3}{4}$ " deep.

C2 — 8 $\frac{1}{2}$ " wide, 5 $\frac{3}{4}$ " deep.

### Branch Breaker Side Gutters

Type	Circuit Breaker	Side Gutter (inches)
C1	BL, BLH, HBL	3.505
C2	BQD	3.5

### Weight—Approximate

Total panelboard weight when filled with a normal quantity of breakers and accessories is:

\*About 3 lbs. per inch of box height.

### Gauge Steel Boxes

Type	Width	Height	Gauge Steel
C1	7 $\frac{5}{8}$ "	48", 73", 85"	#14
C2	8 $\frac{1}{2}$ "	48", 73", 85"	#14

### Fronts

C1	7 $\frac{5}{8}$ "	48", 73", 85"*	#14
C2	8 $\frac{1}{2}$ "	48", 73", 85"*	#14

\*Note: Feed thru lugs and subfeed breaker not available for this height.

### Main Breaker Connectors

Ampere Rating	Connectors suitable for Cu or Al
100	(1) #14-1/0 AWG
125	(1) #4-1/0 AWG
225	(1) #6 AWG-300 kcmil
250	(1) #4 AWG-350 kcmil Al (1) #6 AWG-350 kcmil Cu

### Main Lugs

125	(1) #6 AWG-350 kcmil
250	(1) #6 AWG-350 kcmil

For inches / millimeters conversion, see Application Data section.

① Connector ranges indicated do not apply to all main breaker types. Refer to molded case circuit breaker standard pressure wire connectors in the breaker section of this catalog for the wire ranges for a specific breaker frame.

# Panelboards

## Circuit Breaker / Column Type

Selection

### Branch Breaker Selection C1

Breaker Type	Available Ampere Rating	Availability			Maximum Interrupting Rating (kA)		
		1-Pole	2-Pole	3-Pole	120V	120/240V	240V
BL (120V)	15, 20, 30, 40, 50, 60	✓	✓	✓	—	10	—
	70	✓	✓	✓	—	10	—
	70, 80, 90, 100	—	✓	✓	—	10	—
BLF (GFCI)	15, 20, 30	✓	✓	—	10	—	—
	40, 50, 60	—	✓	—	10	—	—
BLE (EQGFI)	15, 20, 30	✓	✓	—	10	—	—
BGL (SWN)	15, 20, 30	—	✓	✓	10	—	—
BLR (240V)	15, 20, 30, 40, 50, 60	—	✓	—	—	—	10
	70, 80, 90, 100	—	✓	—	—	—	10
BLH (120V)	15, 20, 30, 40, 50, 60	✓	✓	✓	—	22	—
	70	✓	✓	✓	—	22	—
	70, 80, 90, 100	—	✓	✓	—	22	—
BLHF (GFCI)	15, 20, 30	✓	✓	—	—	22	—
	40, 50, 60	—	✓	—	—	22	—
HBL	15, 20, 30, 40, 50	✓	✓	✓	—	65	65
	60, 70, 80, 90, 100	—	✓	✓	—	65	65

### Subfeed Breakers — Limit One Per Panel® C1 (Not available for 42 circuit panels)

ED4	15, 20, 30, 40, 50, 60, 70, 80, 90, 100	—	✓	✓	—	—	65
	110, 125	—	✓	✓	—	—	65
HED4	15, 20, 30, 40, 50, 60, 70, 80, 90, 100	—	✓	✓	—	—	65
	110, 125	—	✓	✓	—	—	100
QR2	100, 110, 125, 150, 175, 200, 225	—	✓	✓	—	—	10
FXD6	70, 80, 90, 100, 110, 125, 150, 175, 200, 225, 250	—	✓	✓	—	—	65
HFD6®	70, 80, 90, 100, 110, 125, 150, 175, 200, 225, 250	—	✓	✓	—	—	100

### Alternate Main Breaker Selection ③ C2

Ampere Rating	Breaker Type	IR	Catalogue Number	Available Trip Values
100	BQD	14	<b>BD</b>	50, 60, 70, 80, 90, 100
	ED4	18	<b>E4</b>	50, 60, 70, 80, 90, 100
	ED6	25	<b>E6</b>	50, 60, 70, 80, 90, 100
	HED4	42	<b>H4</b>	50, 60, 70, 80, 90, 100
	HHED6	65	<b>H6</b>	50, 60, 70, 80, 90, 100
125	ED4	18	<b>E4</b>	110, 125
	ED6	25	<b>E6</b>	110, 125
	HED4	42	<b>H4</b>	110, 125
	HHED6	65	<b>H6</b>	110, 125
225	FXD6	35	<b>FX</b>	70, 80, 90, 100, 110, 125, 150, 175, 200, 225
	HFD6	65	<b>HF</b>	170, 80, 90, 100, 110, 125, 150, 175, 200, 225
250	FXD6	35	<b>FX</b>	250
	HFD6	65	<b>HF</b>	250

### Branch Circuit Breakers C2

Breaker Type	Available Ampere Rating	Availability			Maximum Interrupting Rating (kA)		
		1-Pole	2-Pole	3-Pole	277V	480/277V	480V
BQD	15, 20, 30, 40, 50, 60	✓	✓	✓	14	14	—
	70, 80, 90, 100	✓	✓	✓	14	14	—

### Subfeed Breakers — Limit One Per Panel® C2 (Not available for 42 circuit panels)

ED4	15, 20, 30, 40, 50, 60, 70, 80, 90, 100	—	✓	✓	—	18	18
	110, 125	—	✓	✓	—	18	18
ED6	15, 20, 30, 40, 50, 60, 70, 80, 90, 100	—	✓	✓	—	—	25
	110, 125	—	✓	✓	—	—	25
HED4	15, 20, 30, 40, 50, 60, 70, 80, 90, 100	—	✓	✓	—	—	42
	110, 125	—	✓	✓	—	—	42
FXD6	70, 80, 90, 100, 110, 125, 150, 175, 200, 225, 250	—	✓	✓	—	—	35
HFD6	70, 80, 90, 100, 110, 125, 150, 175, 200, 225, 250	—	✓	✓	—	—	65

① No increase in box height. Space is already built into C1 panel.

② BL, BLH, HBL and BQD are horizontally mounted. All others vertically mounted.

③ Interchangeable trip breakers such as FD6 and HFD6 cannot be back fed. Must be top feed only.

# Panelboards

## Circuit Breaker / Column Type, Modifications and Additions

Selection

### Type C1/C2

When required, special constructions or additions to standard panelboards may be specified for factory-assembled column panelboards.

#### Box Modifications

Description
Gasketed
Metal Card Holder
Welded Metal Card Holder
Nameplate
Al Ground Bar
Cu Ground Bar
Insulated Al Ground Bar
Insulated Cu Ground Bar

#### Interior Modifications

Description
Feed-Thru Lugs
Cu Neutral Lugs
Cu main Lugs 125A
Cu main Lugs 250A

#### Box Sizing Chart

Certain modifications such as subfeed breakers and feed-thru lugs require additional unit space. Use this chart to determine proper enclosure size.

Panel Configuration	Box Height (inches)
All MLO 18 Circuit	48
All MLO 30 Circuit	73
All MLO 42 Circuit	85
All MLO 18 Circuit with feed-thru lugs	73
All MLO 30 Circuit with feed-thru lugs	85
All MLO 18 Circuit with subfeed breaker	73
All MLO 30 Circuit with subfeed breaker	85
All Main Breaker 18 Circuit	48
All Main Breaker 30 Circuit	73
All Main Breaker 42 Circuit	85
All Main Breaker 18 Circuit with feed-thru lugs	73
All Main Breaker 30 Circuit with feed-thru lugs	85
All Main Breaker 18 Circuit with subfeed breaker	73
All Main Breaker 30 Circuit with subfeed breaker	85

#### Breaker Kits and Accessories

Kit Number	Description	Contents
MBKQRC1FK	C1 Filler for QR in Main position 1PH or 3PH	Kit contains all cover plates necessary to change from QJ to QR both 2 and 3-pole breakers.

#### Column Extension

Available in various standard lengths, extensions are 5¼ inches deep and 7 inches wide.

Height (inches)	Catalogue Number <sup>①</sup>
14	LXX-14
20	LXX-20
26	LXX-26
32	LXX-32
38	LXX-38
41	LXX-41
44	LXX-44
53	LXX-53
56	LXX-56
62	LXX-62
65	LXX-65
68	LXX-68
74	LXX-74
80	LXX-80
86	LXX-86

#### Pull Boxes

Two styles of pull boxes are available, top and front mounted. When the panel and its extensions are mounted in a structural WF beam a front mounted pull box is required. When the panels are surface mounted, a top mounted pull box may be used. Provisions are made so that the neutral bar may be mounted in the pull box when required. (Front mounted pull box dimensions are 14" H. X 20" W.)

Description	Catalogue Number <sup>①</sup>
Top Mount	LXXP-T
Front Mount <sup>②</sup>	LXX50-F

For inches / millimeters conversion, see Application Data section.

① Must be ordered as a manual line.  
② Includes 50" extension.



# Panelboards

## Circuit Breaker / Column Type

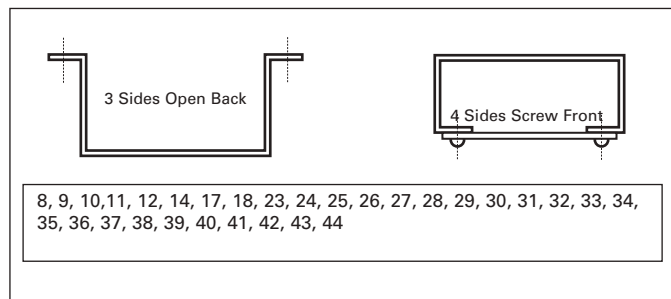
*Selection*

### Conduit Enclosing Shield (Panel Skirts)

Sheet metal to cover conduits above or below a standard panelboard box.

Skirt Length	Width	Depth
8, 9, 11, 12	20.00	5.75
14, 17, 18, 23, 25	20.00	5.75
26, 27, 28, 29, 30, 31, 32, 33, 34, 35, 36	20.00	5.75
37, 38, 39, 40, 41, 42, 43, 44	20.00	5.75
8, 9, 11, 12	24.00	7.75
14, 17, 18, 23, 25	24.00	7.75
26, 27, 28, 29, 30, 31, 32, 33, 34, 35, 36	24.00	7.75
37, 38, 39, 40, 41, 42, 43, 44	24.00	7.75

### Panel Skirts Standard Length



① Available only as a main switch for non-service equipment applications. Not available for branch devices.

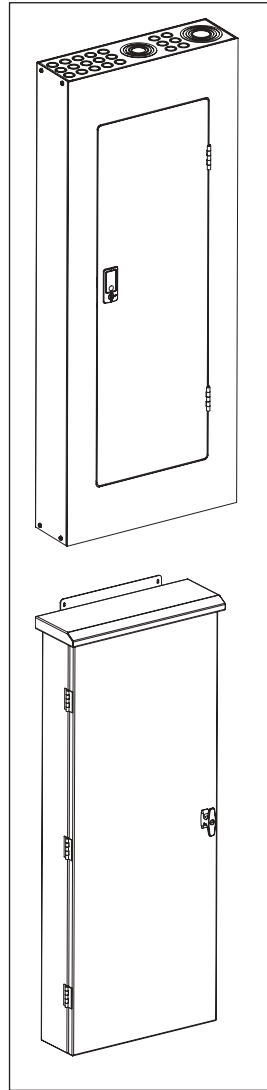
# Panelboards

## Enclosure/System Types, AC & DC Voltages

*Selection*

### Type 1

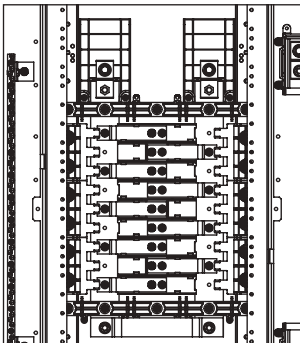
- Flush or surface mount.
- Galvanized steel with removable end walls –blank or with knockouts to order.
- Box sizes: 20" W x 5.75" D x 33", 50", 59" or 69" H (510 W x 145 D x 838, 1270, 1500 or 1753mm H). Box can be rotated 180° to accommodate conduit feed.
- Enclosure and chassis mounting instructions are found in supplied literature.
- Chassis mounts directly onto studs in the enclosure.
- Trim finished with gray powder coat paint over phosphatized steel (ANSI 61).
- Door and door-in-door configurations with locks.
- Door locks use key #2A1910-2.
- Circuit directory card is located on the inside of the door.
- Trim screws are concealed.



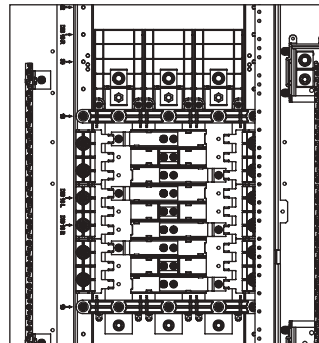
### Type 3R

- Surface mount only.
- Finished with gray powder coat paint over phosphatized steel (ANSI 61).
- Bottom feed only, no knockouts
- Box sizes: 20" W x 7.7" D x 34.5", 51.5", 60.5" or 70.5 H (510 W x 195 D x 876, 1310, 1535 or 1791mm H).
- Enclosure and chassis mounting instructions are found in supplied literature
- Chassis mounts directly onto studs in the enclosure.
- Gasketed door has vault handle with lock.
- Door locks use key #2A1910-1.
- Circuit directory card is located on the inside of the door.

### Busing



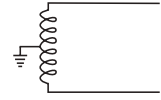
Single-phase



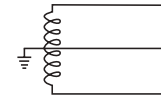
Three-phase

### AC Voltages

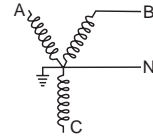
- 1 phase, 2 wire
  - 120V 1 phase, 2 wire
  - 240V 1 phase, 2 wire



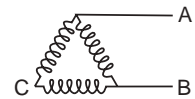
- 1 phase, 3 wire
  - 120/240V 1 phase, 3 wire



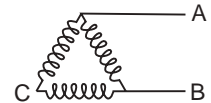
- 1 phase, 2 wire, Wye
  - 277V 1 phase, 2 wire



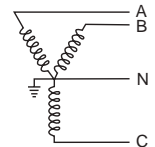
- 1 phase, 2 wire, Delta
  - 480V 1 phase, 2 wire



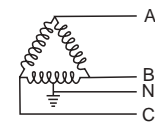
- 1 phase, 3 wire, Delta
  - 240/480V 1 phase, 3 wire



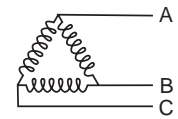
- 3 phase, 4 wire, Wye
  - 208Y/120V 3 phase, 4 wire
  - 480Y/277V 3 phase, 4 wire
  - 600Y/347V 3 phase, 4 wire



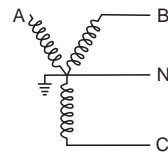
- 3 phase, 4 wire, Delta
  - 240/120V 3 phase, 4 wire
  - 480/240V 3 phase, 4 wire



- 3 phase, 3 wire, Delta
  - 240V, 3 phase, 3 wire
  - 480V, 3 phase, 3 wire
  - 600V, 3 phase, 3 wire
  - 240V, 3 phase, 3 wire, grounded B
  - 480V, 3 phase, 3 wire, grounded B
  - 600V, 3 phase, 3 wire, grounded B



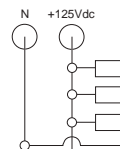
- 1 phase, 3 wire, Wye
  - 208Y/120V 1 phase, 3 wire
  - 480Y/277V 1 phase, 3 wire



### DC voltage

- 1 phase, 2 wire
  - 125Vdc, 2 wire

(Up to 125Vdc, MLO option only, SCCPB 40A or less.)



# Panelboards

## Dimensions and Panelboard Configurations

*Selection*

### NEMA 1 and 3R Enclosure Dimensions

Encl. Type	Encl. Height	Dimensions (inches)								
		H	HC	MH	CH	DH	RH	SH	DW	D
NEMA 1	33	33.0	N/A	29.0	26.0	28.9	25.0	2.0	20.0	5.7
	50	50.0	N/A	43.0	40.0	37.9	39.0	3.5	20.0	5.7
	59	59.0	N/A	52.0	49.0	46.9	48.0	3.5	20.0	5.7
	69	69.0	N/A	62.0	59.0	56.9	58.0	3.5	20.0	5.7
NEMA 3R	33	33.0	34.5	35.5	26.0	28.9	25.0	2.0	20.0	6.3
	50	50.0	51.5	52.5	40.0	37.9	39.0	2.0	20.0	6.3
	59	59.0	60.5	61.5	49.0	46.9	48.0	2.0	20.0	6.3
	69	69.0	70.5	71.5	59.0	56.9	58.0	2.0	20.0	6.3

### Available panelboard configurations

Based on enclosure height, panel amp rating and number of branch circuit positions

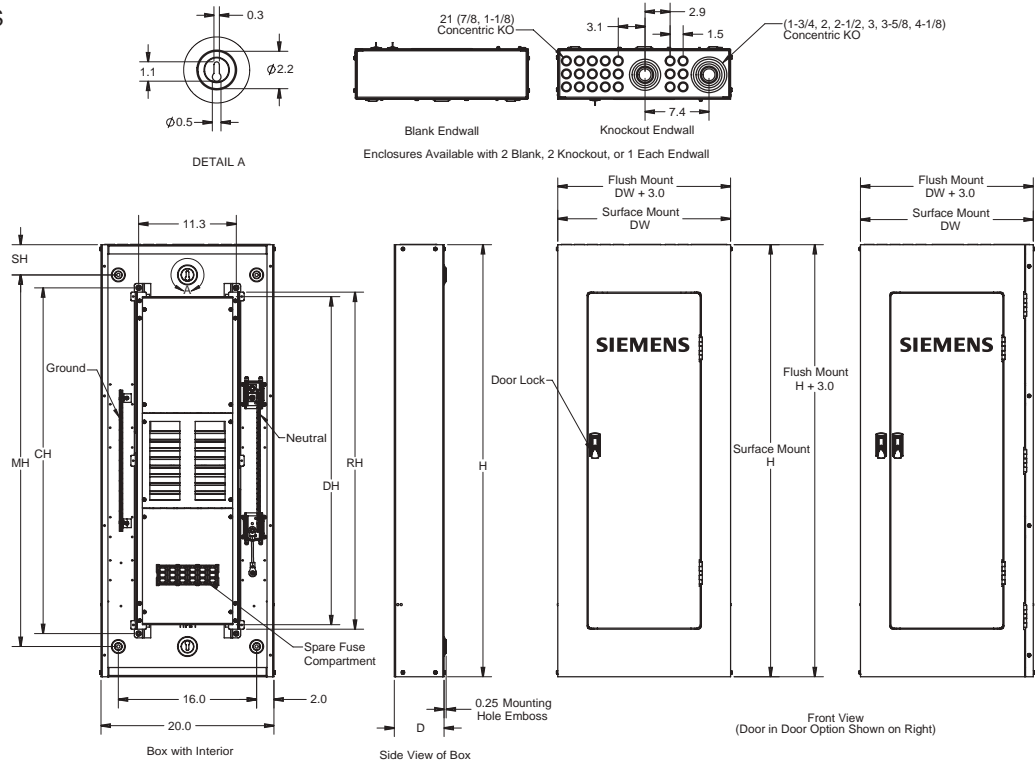
Encl. height (inches)	Panel amp rating	Branch positions	Available configurations
33"	30-200	18	· Main lug only, with or without feed-through lugs · Non-fused disconnect, no loadside options
		30	· Main lug only, no loadside options
50"	30-60	18	· 30 through 60A fused main disconnect with or without feed-through lugs or TVSS device
		30	· 30 through 60A fused main disconnect with or without feed-through lugs or TVSS device
		42	· 30 through 60A fused main disconnect with or without feed-through lugs or TVSS device
	70-200	18	· 70 through 200A fused main disconnect with or without feed-through lugs or TVSS device
		30	· 70 through 200A fused disconnect with or without feed-through lugs
	30-200	18	· Main lug only with TVSS device · Non-fused disconnect, with feed-through lugs or TVSS device
		30	· Main lugs only, with feed-through lugs or TVSS device · Non-fused disconnect, with or without feed through lugs
		42	· Main lug only, with or without feed-through lugs or TVSS device · Non-fused disconnect, with or without feed-through lugs
		225-400A	18
	30	30	· Main lug only, with or without feed-through lugs
70-200		30	· 70 through 200A fused main disconnect, with TVSS device
59"	70-200	42	· 70 through 200A fused main disconnect with or without feed-through lugs or TVSS device
		30-200	42
	225-400A	18	· Main lug only with loadside disconnect · Non-fused disconnect, with TVSS device · 225 through 400A fused disconnect with or without feed-through lugs or TVSS device
		30	· Main lug only, with TVSS device · 225 through 400A fused disconnect, with no loadside options
		42	· Main lug only, with or without feed-through lugs or TVSS device · Non-fused disconnect, with no loadside options
	225-400A	18	· Non-fused disconnect, with loadside disconnect
		30	· Main lug only with loadside disconnect · 225 through 400A fused disconnect with feed-through lugs or TVSS device
42		· Non-fused disconnect, with or without feed through lugs or TVSS device · 225 through 400A fused main disconnect, with or without feed-through lugs or TVSS device	

# Panelboards

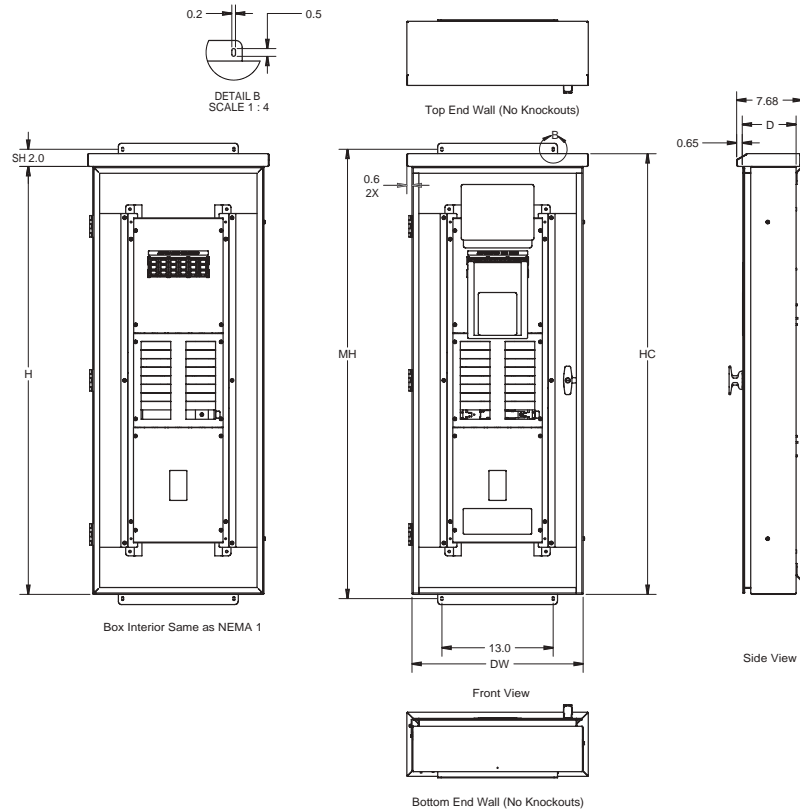
## NEMA 1 and NEMA 3R

## Dimensions

### NEMA 1 Enclosures and Interior



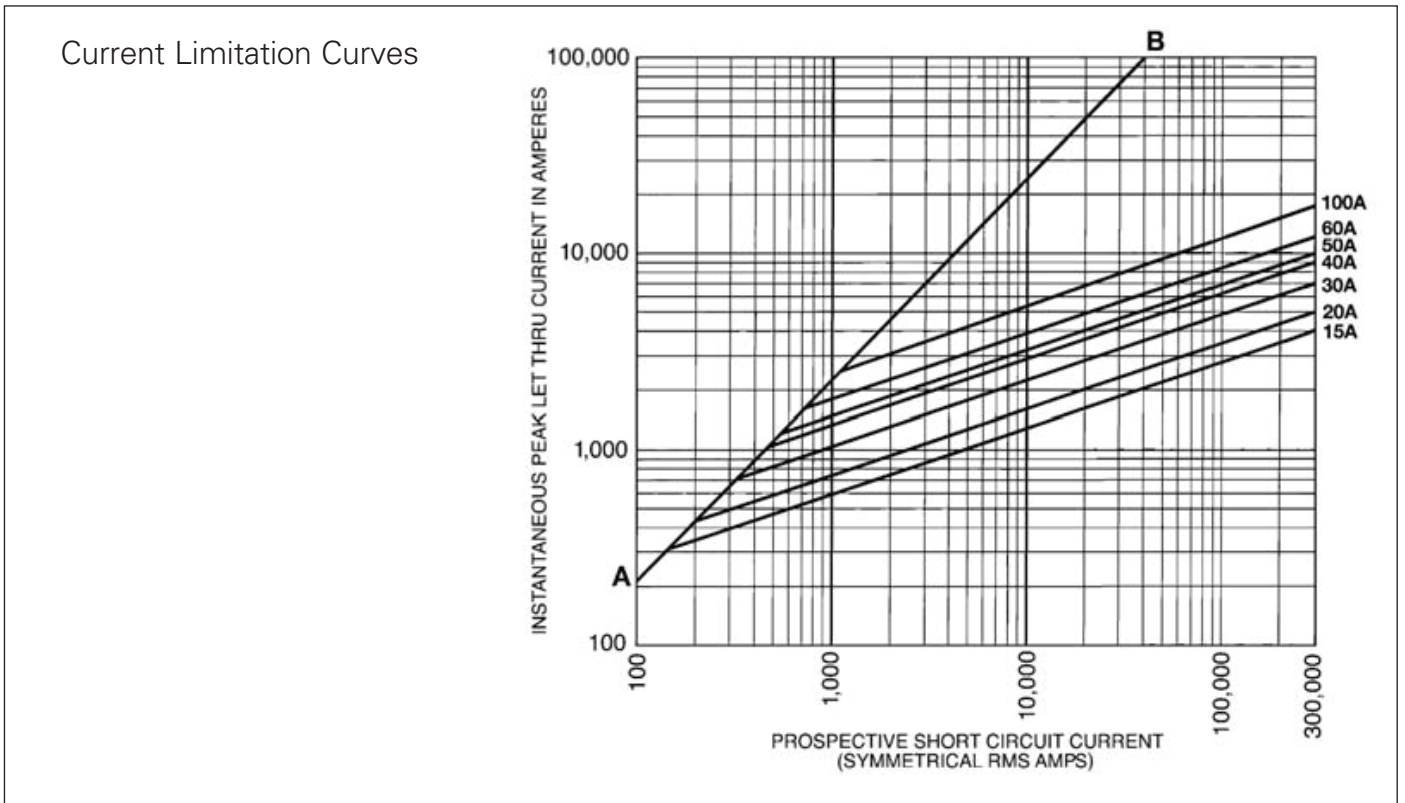
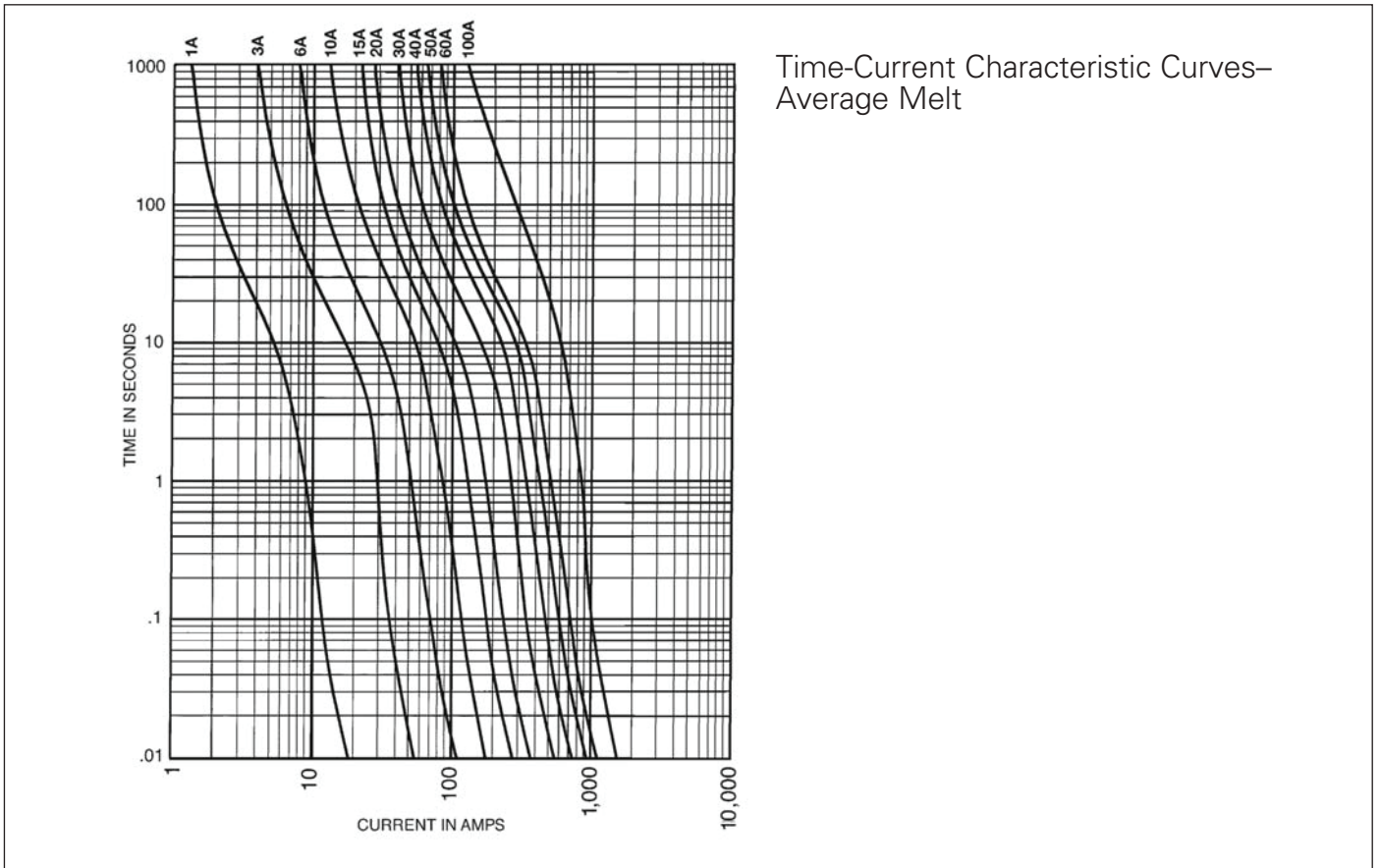
### NEMA 3R Enclosures Interior same as NEMA 1



# Panelboards

## Fuse Curves

*Selection*



# POWER PRODUCT Switchboards

## Contents

### Sentron SMP, FCI, FCII Switchboards

#### Type SMP

Construction Details Features	11-2
Features	11-3
Specification	11-8

#### Type FCI, FCII

Construction Details Features	11-10
Features	11-11
Specifications	11-12

#### Modifications and Additions Replacements for Circuit Breakers and Fusible Switches Selection

##### Protective Devices

Sentron™ Molded Case Circuit Breakers	11-17
Solid State Sensitrip™ Molded Case Circuit Breakers	11-18
Fusible Switches	11-19
HCP Disconnect Switches	11-20
Metering Data	11-21

#### Type IPS - Integrated Power Systems Switchboard

Features	11-23
Embedded Micro Metering Module (SEM3)	11-24

# Sentron® SMP Switchboards

## Construction Details

## Construction

11

SWITCHBOARDS

### Simplified system design.

A typical SMP switchboard consists of a floor mounted, wall supported service section, and a distribution section. The wireway can also be added where required by the local utility or if additional cable termination space is required.

### Wireways are modular to allow flexibility.

The wireway is available in 2 depths to suit customer needs. Wireway has split front doors as standard with optional hinged doors. The lug pads are standard NEMA hole pattern and accept up to 5 mechanical lugs or 6 compression lugs.

### 90°C rated wireway.

The termination temperature for main incoming cables can be sized at 90°C for bussed pull sections.

### Service Entrance Sections house a variety of equipment.

- *Service Entrance Sections.*  
Service sections can be fed directly from overhead by cable.

Service entrance sections equipped for bottom feed will accept cable from underground directly into the service section.

- *Utility Metering*

In addition to the main device, the service section contains utility metering provisions. "Cold" metering provisions (CT's on the load side of the main device) are furnished. The CT's are provided by the utility company. The compartment will be built to utility company standards, with hinged doors and provisions for utility metering equipment.

- *User Metering*

The service section provides space for the Siemens Digital Meter with remote display, and its associated components.

- *Main protective device*

The MCCB is mounted individually so that it can be located quickly in an emergency. SMP switchboards will accommodate different types of main circuit breakers. Selection depends on the characteristics of your individual electrical system.

### Distribution Sections have ample wiring room and front accessibility.

Generous top or bottom gutters have been created by locating the bus-link in the top or bottom of the distribution section, so there's ample room to run cables into the distribution section and make connections.

Standard bolted covers allow complete access to load conductors. Future flexibility comes standard in the Siemens SMP switchboard. The distribution section can accommodate any combination of panel mounted devices, including MCCBs and fusible disconnect switches.

### Operating temperatures are in accordance with CSA Standards

Bus bars are available in standard tin-finished aluminum or optional silver-finished copper. Standard bus is sized on the basis of heat rise criteria, in accordance with CSA C22.2 #31. All bus bars are sized to limit heat rise to 65°C above an ambient temperature of 40°C.

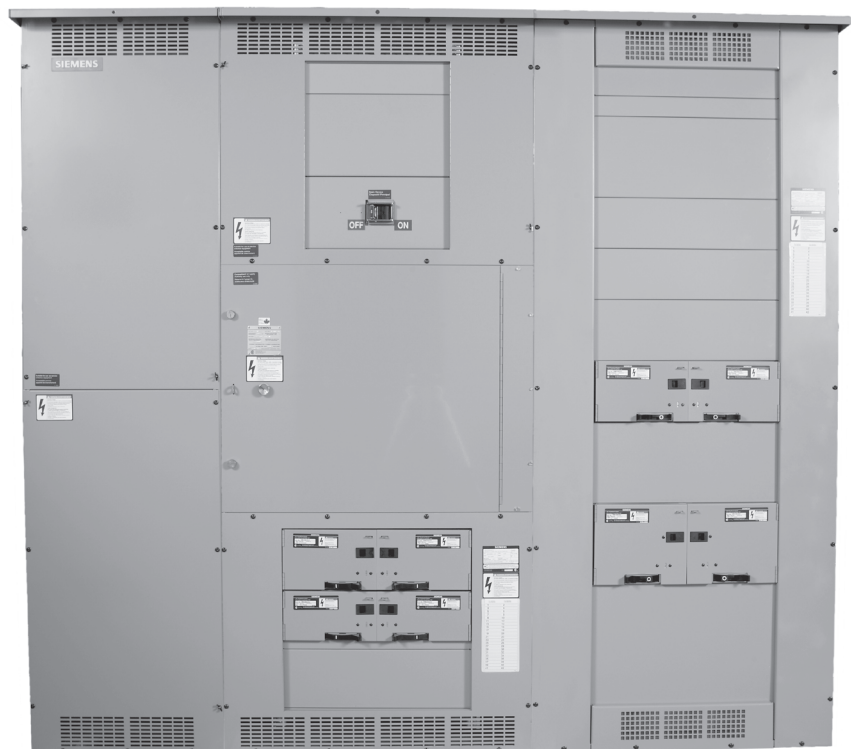
### Bus-Link Connections are accessible from the front.

The Bus-Link can be bolted from the front of the switchboard. Each bus-link is attached by grade five bolts to assure solid joints between sections, and to maintain full bus ampacity through the joint.

To make installation and servicing of the bus-link easier, all phase and neutral busses are stacked one above the other.

### Cable Terminals

Screw mechanical connectors (lugs) are provided as standard equipment.





# Sentron® SMP Switchboards

## Power and Distribution

General

### SMP Switchboard Introduction

Whether the design is for a 240V AC, 400 ampere system; a 600V AC, 1200 A ampere system; or something in between, Siemens Sentron Switchboards should be considered. Every aspect of design has been aimed at improving layout convenience, reducing installation costs, and minimizing the impact and cost of system changes. These switchboards provide the space saving construction and service flexibility necessary in systems for light industrial plants, retail strip malls, and commercial buildings.

Service entrance sections of the SMP accepts a wide range of Sentron Molded Case Circuit Breakers as main disconnect devices.

The SMP switchboard is designed for special configurations. It can be equipped with incoming and outgoing cable/conduit connections, supplied with metering and other special features.

The distribution sections of all Sentron Switchboards are designed with improved wiring space and greater accessibility. They're also designed for easier installation and maintenance. Conveniently located bus-link without compromising useful wiring gutter space, and standard bolted gutter covers offer complete access to load conductors. Front accessibility to bus and protective devices makes adding or replacing circuit breakers or switches quick and easy.

### SMP Switchboard Features and Ratings

- **Main bus** rated up to 1200 ampere.
- Rear of all sections aligned so that switchboard can be floor mounted and secured against the wall.
- Front connected and front accessible.
- **Main devices** – individually mounted.  
Molded Case Breaker: 400-1200 amps.
- **Branch Devices** – panel mounted.  
Molded Case Breaker: 15–1200 amps fixed.  
Quick-Make Quick-Break Fusible Switch: 30 - 600A

**600 Volts AC Maximum**

**1200 Ampere Mains**

**1200 Ampere Maximum Branch**

**CSA Short Circuit Rating —**

**65,000A IR Maximum**

**CSA Certified To: CAN/CSA-22.2 No. 31-18**

CSA Certificate No. 70172996

### SMP Specifications (Table 1)

SMP Switchboard	
Enclosure Type	Type 1 Type 2 (drip-proof & sprinkler-proof) Optional: Dripshield
Dimensions Main or Distribution Wireway	38" W x 90" H x 12.75" Dp 24" W x 90" H x 12.75" Dp or 25.5" Dp
Volts	600V Max
Amperes	400-1200A
Bus Type	Aluminum (tin plated) Copper (silver finished) optional
Bus Bracing	50 KA 65 KA (optional)
Interrupting Capacity	50 KA 65 KA (optional)
Entry	Cable only (top or bottom)
Main Device	MCCB 400-1200A ▪ 80% Rated ▪ 100% Rated (option)
Branch Devices (Unit Space)	52.5" in Main with Distribution Section, or 22.5" in MUD Section, or 60" in Distribution Section
Metering Devices	Siemens Digital Metering with Remote Display SEM3 Embedded Metering
Other Options	SPD Units Sill Channels (1.5") Lifting Hooks

### Main and Distribution Section Dimensions (Table 2)

Switchboard Type	Access	Dimensions - Inches (mm)		
		H	W	D
SMP	Front	90" (2286)	38" (965)	12.75" (324)



© Only available as a Wireway.

# Sentron® SMP Switchboards

## Power and Distribution

Selection

SWITCHBOARDS 11

### Protective Devices - Molded Case Circuit Breakers

#### Standard

Breakers are designed for commercial, industrial, institutional and other heavy duty applications. They are rated up to 600V AC and 250V DC. Their interrupting ratings are higher than normal duty breakers.

#### High Interrupting

Breakers are designed for heavy duty applications where the interrupting requirements exceed the ratings of heavy duty breakers. They are rated up to 600V AC.

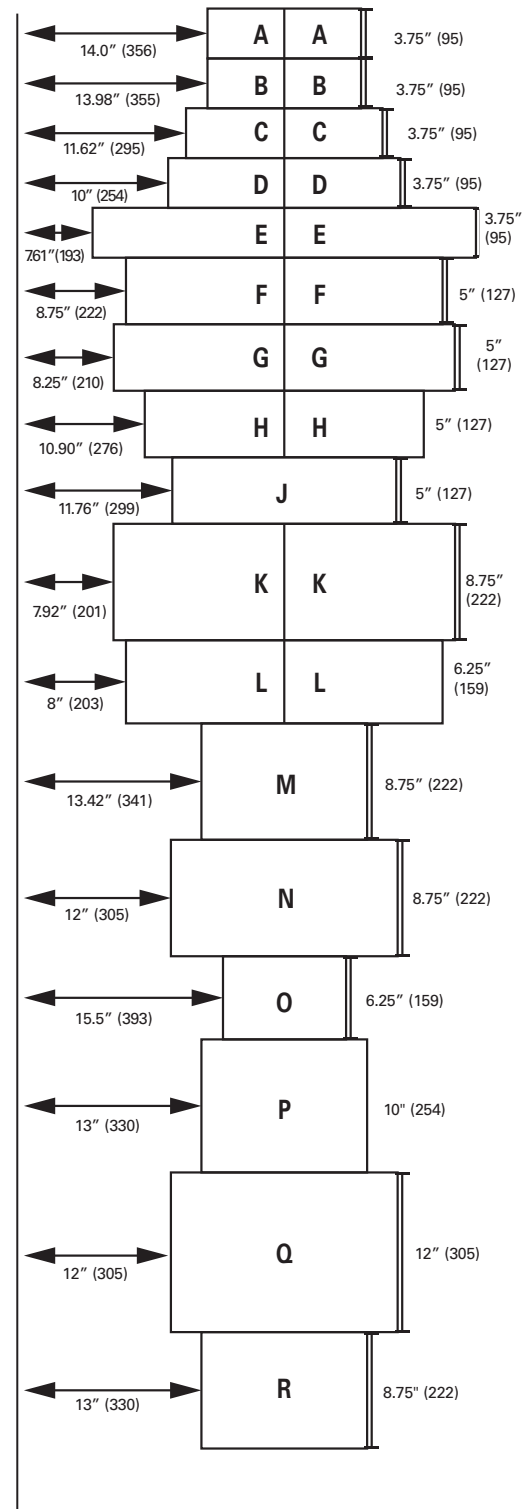
#### Current Limiting

Molded case breakers incorporate the exclusive I-TE blow-apart interruption principle. They meet the CSA requirements for current-limiting breakers. Current-limiting circuit breakers can limit the let-through  $I^2t$  to a value less than the  $I^2t$  of one-half cycle wave of the symmetrical prospective current without any fusible elements when operating within their current-limiting range.

Main Breaker Selection (Table 3)

Amperage Rating	Breaker Type	Trip Type	Maximum Interrupting Rating (kA)			Available Trip Values
			240V	480V	600V	
400	JXD6 JD6 HJD6 HHJD6	Thermal Magnetic	65	35	25	200, 225, 250, 300, 350, 400
			100	65	35	200, 225, 250, 300, 350, 400
			200	100	50	200, 225, 250, 300, 350, 400
			200	150	100	200, 225, 250, 300, 350, 400
	SJD6 SHJD6 SCJD6	Electronic (Solid State)	65	35	25	200, 300, 400
			100	65	35	200, 300, 400
			200	150	100	200, 300, 400
600	LXD6 LD6 HLD6 HHLD6	Thermal Magnetic	65	35	25	450, 500, 600
			100	65	35	250, 300, 350, 400, 450, 500, 600
			200	100	50	250, 300, 350, 400, 450, 500, 600
			200	150	100	450, 500, 600
	SLD6 SHLD6 SCLD6	Electronic (Solid State)	65	35	25	300, 400, 500, 600
			100	65	35	300, 400, 500, 600
			200	150	100	300, 400, 500, 600
800	MXD6 MD6 HMD6 CMD6	Thermal Magnetic	65	50	25	500, 600, 700, 800
			100	65	50	500, 600, 700, 800
			200	100	65	500, 600, 700, 800
			200	100	65	500, 600, 700, 800
	SMD6 SHMD6 SCMD6	Electronic (Solid State)	65	50	25	600, 700, 800
			100	65	50	600, 700, 800
			200	100	65	600, 700, 800
1200	NXD6 ND6 HND6 CND6	Thermal Magnetic	65	50	25	800, 900, 1000, 1200
			100	65	50	800, 900, 1000, 1200
			200	100	65	800, 900, 1000, 1200
			200	100	65	800, 900, 1000, 1200
	SND6 SHND6 SCND6	Electronic (Solid State)	65	50	25	800, 1000, 1200
			100	65	50	800, 1000, 1200
			200	100	65	800, 1000, 1200

Branch Breaker Gutter Dimensions For 38"W Distribution Section (Table 5)



# Sentron® SMP Switchboards

## Power and Distribution

Selection

Branch Circuit Breaker Selection<sup>①</sup> (Table 4)

Breaker Frame Rating	Trip Type	Breaker Type	Poles	Trip Amperage	Mounting Height Inches (mm)			Max IC Rating (kA)			
					Single	Twin	Gutter <sup>③</sup>	240V	480V	600V	
100	Thermal Magnetic	BL	1, 2, 3	15, 20, 25, 30, 40, 50, 60, 70, 80, 90, 100	—	3.75 (95) <sup>②③</sup>	14 (356)	10	—	—	
		BLH	1, 2, 3	15, 20, 25, 30, 40, 50, 60, 70, 80, 90, 100	—	3.75 (95) <sup>②③</sup>	14 (356)	22	—	—	
		HBL	1, 2, 3	15, 20, 25, 30, 40, 50, 60, 70, 80, 90, 100	—	3.75 (95) <sup>②③</sup>	14 (356)	65	—	—	
		BQD6 <sup>④</sup>	1, 2, 3	15, 20, 30, 40, 50, 60, 70	—	3.75 (95) <sup>②③</sup>	14 (356)	65	—	10	
	Ground Fault Circuit Interrupter	BLE (GFCI)	1, 2	15, 20, 30, 40, 50, 60	—	3.75 (95) <sup>②</sup>	14 (356)	10	—	—	
		BLF (GFCI)	1, 2	15, 20, 30, 40, 50, 60	—	3.75 (95) <sup>②</sup>	14 (356)	10	—	—	
BLHF (GFCI)		1, 2	15, 20, 30, 40, 50, 60	—	3.75 (95) <sup>②</sup>	14 (356)	22	—	—		
Arc Fault Circuit Interrupter	BAF (AFCI)	1	15, 20	—	3.75 (95) <sup>②</sup>	14 (356)	10	—	—		
	BAFH (AFCI)	1	15, 20	—	3.75 (95) <sup>②</sup>	14 (356)	22	—	—		
125	Thermal Magnetic	ED2	1, 2, 3	15, 20, 30, 40, 50, 60, 70, 80, 90, 100	3.75 (95) <sup>②③</sup>	3.75 (95) <sup>②③</sup>	10 (254)	10	—	—	
		ED4	1, 2, 3	15, 20, 30, 40, 50, 60, 70, 80, 90, 100, 110, 125	3.75 (95) <sup>②③</sup>	3.75 (95) <sup>②③</sup>	10 (254)	65	18	—	
		ED6	1, 2, 3	15, 20, 30, 40, 50, 60, 70, 80, 90, 100, 110, 125	3.75 (95) <sup>②③</sup>	3.75 (95) <sup>②③</sup>	10 (254)	100	18	18	
		HED4	1, 2, 3	15, 20, 30, 40, 50, 60, 70, 80, 90, 100, 110, 125	3.75 (95) <sup>②③</sup>	3.75 (95) <sup>②③</sup>	10 (254)	100	65	30	
		CED6	2, 3	15, 20, 30, 40, 50, 60, 70, 80, 90, 100, 110, 125	3.75 (95) <sup>③</sup>	3.75 (95) <sup>③</sup>	7.61 (193)	200	200	100	
		NGB2	1, 2, 3	15, 20, 25, 30, 40, 50, 60, 70, 80, 90, 100, 110, 125	3.75 (95) <sup>②③</sup>	3.75 (95) <sup>②③</sup>	13.98 (355)	100	25	14	
		HGB2	1, 2, 3	15, 20, 25, 30, 40, 50, 60, 70, 80, 90, 100, 110, 125	3.75 (95) <sup>②③</sup>	3.75 (95) <sup>②③</sup>	13.98 (355)	100	35	22	
		LGB2	1, 2, 3	15, 20, 25, 30, 40, 50, 60, 70, 80, 90, 100, 110, 125	3.75 (95) <sup>②③</sup>	3.75 (95) <sup>②③</sup>	13.98 (355)	100	65	25	
		Electronic (Solid State)	3VA61 (MDAE)	3	40, 100, 150	5 (127)	5 (127)	9.59 (244)	100	35	18
			3VA61 (HDAE)	3	40, 100, 150	5 (127)	5 (127)	9.59 (244)	100	65	22
3VA61 (CDAE)	3		40, 100, 150	5 (127)	5 (127)	9.59 (244)	200	100	35		
3VA61 (LDAE)	3		40, 100, 150	5 (127)	5 (127)	9.59 (244)	200	150	50		
225	Thermal Magnetic	QR2	2, 3	100, 110, 125, 150, 175, 200, 225	5 (127)	5 (127)	8.75 (222)	10	—	—	
		QRH2	2, 3	100, 110, 125, 150, 175, 200, 225	5 (127)	5 (127)	8.75 (222)	25	—	—	
		HQR2	2, 3	100, 110, 125, 150, 175, 200, 225	5 (127)	5 (127)	8.75 (222)	65	—	—	
		HQR2H	2, 3	100, 110, 125, 150, 175, 200, 225	5 (127)	5 (127)	8.75 (222)	100	—	—	
250	Thermal Magnetic	FXD6, FD6	2, 3	70, 80, 90, 100, 110, 125, 150, 175, 200, 225, 250	5 (127)	5 (127)	8.25 (210)	65	35	22	
		HFD6	2, 3	70, 80, 90, 100, 110, 125, 150, 175, 200, 225, 250	5 (127)	5 (127)	8.25 (210)	100	65	25	
		CFD6	2, 3	70, 80, 90, 100, 110, 125, 150, 175, 200, 225, 250	—	5 (127)	11.76 (299)	200	200	100	
		3VA52 (MFAS)	2, 3	40, 45, 50, 60, 70, 80, 90, 100, 110, 125, 150, 175, 200, 225, 250	5 (127)	5 (127)	10.10 (257)	85	35	18	
		3VA52 (HFAS)	2, 3	40, 45, 50, 60, 70, 80, 90, 100, 110, 125, 150, 175, 200, 225, 250	5 (127)	5 (127)	10.10 (257)	100	65	25	
		3VA52 (CFAS)	2, 3	40, 45, 50, 60, 70, 80, 90, 100, 110, 125, 150, 175, 200, 225, 250	5 (127)	5 (127)	10.10 (257)	200	100	35	
	Electronic (Solid State)	3VA62 (MFAE)	3	100, 250	5 (127)	5 (127)	9.59 (244)	100	35	18	
		3VA62 (HFAE)	3	100, 250	5 (127)	5 (127)	9.59 (244)	100	65	22	
		3VA62 (CFAE)	3	100, 250	5 (127)	5 (127)	9.59 (244)	200	100	35	
		3VA62 (LFAE)	3	100, 250	5 (127)	5 (127)	9.59 (244)	200	150	50	
400	Thermal Magnetic	JXD6, JD6	2, 3	200, 225, 250, 300, 350, 400	8.75 (222)	8.75 (222)	7.92 (201)	65	35	25	
		HJD6	2, 3	200, 225, 250, 300, 350, 400	8.75 (222)	8.75 (222)	7.92 (201)	100	65	35	
		HHJD6	2, 3	200, 225, 250, 300, 350, 400	8.75 (222)	8.75 (222)	7.92 (201)	200	100	50	
		CJD6	2, 3	200, 225, 250, 300, 350, 400	8.75 (222)	—	12 (305)	200	150	100	
	Electronic (Solid State)	SJD6	3	200, 300, 400	8.75 (222)	—	13.42 (341)	65	35	25	
		SHJD6	3	200, 300, 400	8.75 (222)	—	13.42 (341)	100	65	35	
		SCJD6	3	200, 300, 400	8.75 (222)	—	12 (305)	200	150	100	
		NJG	3	250, 400	6.25 (159)	6.25 (159)	8 (203)	65	35	25	
LJG	3	250, 400	6.25 (159)	6.25 (159)	8 (203)	200	100	25			
600	Thermal Magnetic	LXD6	2, 3	450, 500, 600	8.75 (222)	—	13.42 (341)	65	35	25	
		LD6	2, 3	250, 300, 350, 400, 450, 500, 600	8.75 (222)	—	13.42 (341)	65	35	25	
		HLD6	2, 3	250, 300, 350, 400, 450, 500, 600	8.75 (222)	—	13.42 (341)	100	65	35	
		HHL6	2, 3	250, 300, 350, 400, 450, 500, 600	8.75 (222)	—	13.42 (341)	200	100	50	
		CLD6	2, 3	450, 500, 600	8.75 (222)	—	12 (305)	200	150	100	
		SLD6	3	300, 400, 500, 600	8.75 (222)	—	13.42 (341)	65	35	25	
	SHLD6	3	300, 400, 500, 600	8.75 (222)	—	13.42 (341)	100	65	35		
	SCLD6	3	300, 400, 500, 600	8.75 (222)	—	12 (305)	200	150	100		
800	Thermal Magnetic	MXD6	2, 3	500, 600, 700, 800	10 (254)	—	13 (330)	65	50	25	
		MD6	2, 3	500, 600, 700, 800	10 (254)	—	13 (330)	65	50	25	
		HMD6	2, 3	500, 600, 700, 800	10 (254)	—	13 (330)	100	65	50	
		CMD6	2, 3	500, 600, 700, 800	10 (254)	—	13 (330)	200	100	65	
	Electronic (Solid State)	SMD6	3	600, 700, 800	10 (254)	—	12 (305)	65	50	25	
		SHMD6	3	600, 700, 800	10 (254)	—	12 (305)	100	65	50	
SCMD6	3	600, 700, 800	10 (254)	—	12 (305)	200	100	65			
1200	Thermal Magnetic	NXD6	2, 3	800, 900, 1000, 1200	10 (254)	—	13 (330)	65	50	25	
		ND6	2, 3	800, 900, 1000, 1200	10 (254)	—	13 (330)	65	50	25	
		HND6	2, 3	800, 900, 1000, 1200	10 (254)	—	13 (330)	100	65	50	
		CND6	2, 3	800, 900, 1000, 1200	10 (254)	—	13 (330)	200	100	65	
	Electronic (Solid State)	SND6	3	800, 1000, 1200	10 (254)	—	12 (305)	65	50	25	
		SHND6	3	800, 1000, 1200	10 (254)	—	12 (305)	100	65	50	
SCND6	3	800, 1000, 1200	10 (254)	—	12 (305)	200	100	65			

① Space includes housing frame plate with blank cover plate. Provision includes all necessary mounting hardware, less circuit breaker, and includes housing frame cover plate with breaker handle opening.

② 1 to 6 poles may be mounted in 3.75" (95) of unit space  
 ③ Accessories such as shunt trips on three pole breakers require 6.25" (159) of unit space.  
 ④ Also 10kA at 600Y/347 Volts.

⑤ Refer to Table 5 for layout dimensions.

11 SWITCHBOARDS

# Sentron® SMP Switchboards

## Power and Distribution

Selection

SWITCHBOARDS 11

### Protective Devices - Fusible Disconnects

#### Fuse Selection

The Proper Fuse Type for the Application is Selected Using the Following Parameters:

- Voltage Requirements
- Conductor Ampacity
- Horsepower Requirements
- Maximum Available RMS Fault Current
- CSA Fuse Class

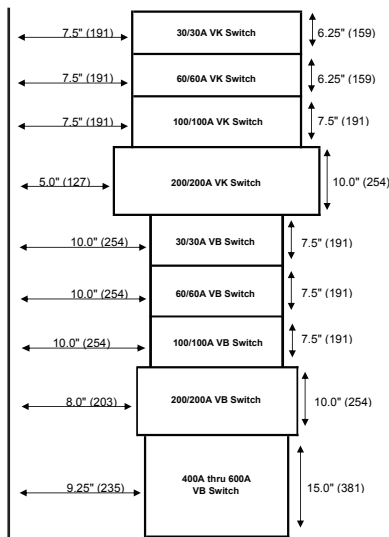
Maximum VB HP Ratings (Table 6) ③

Amp Rating	Volts			
	3 Phase			Single Phase
	240	480	600	240
30	7.5	15	20	3
60	15	30	50	10
100	30	60	50	15
200	60	125	50	-
400	50	50	50	-
600	50	50	50	-

Branch Switch Connectors (Table 10) ④

Switch Ampere Rating	Wire and Cable Range
30	(1) - #14-#4 AWG (Cu or Al)
60	(1) - #14-#4 AWG (Cu or Al)
100	(1) - #10-#1/0 AWG (Cu or Al)
200	(1) - #6 AWG-350kcmil (Cu or Al)
400	(1) - #1/0 AWG-750 MCM OR (2) - #1/0 AWG-250 MCM (Cu or Al)
600	(1) - #1/0 AWG-750 MCM OR (2) - #1/0 AWG-250 MCM (Cu or Al)

Branch Switch Gutter Dimensions For 38W Distribution Section (Table 8)



Maximum VK HP Ratings (Table 9) ③

Amp Rating	Volts			
	3 Phase			Single Phase
	240	480	600	240
30	7.5	15	20	3
60	1.5	30	50	10
100	30	50	75	15
200	60	125	150	15

Switch Interrupting Ratings

Switch Type	Interrupting Rating (kA)		
	240V	480V	600V
VB	200	100	100
VK	200	200	200

Branch Switches 600V Maximum (Table 11)

Rating Ampere	Max Voltage	Fusing	Mounting Height 38"W
30/30A & 60/60A (VK) ⑤	600V	Class J	6.25" (159)
100/100A (VK) ⑤	600V	Class J	7.5" (190)
200/200A (VK) ⑤	600V	Class J	10.0" (254)
30/30A & 60/60A (VB)	600V	Class J	7.5" (190)
100/100A (VB)	600V	Class J	7.5" (190)
200A (VB)	600V	Class J	10.0" (254)
400A & 600A (VB)	600V	Class J	15.0" (381)

Gutters (Table 12)

Ampere Rating	End Gutters Minimum - Inches (mm)	Side Gutters Minimum - Inches (mm)
400	12" (305)	7.9" (201)
600	12" (305)	7.9" (201)

Switch Accessories (Table 13)

Fuse Pullers (VK)	Cat. No.
30 or 60 Amp	FP2
100 Amp	FP3
200 Amp	FP4

CSA Fuse Classes (Table 14)

Class	Amperes	Volts (AC)	I <sup>2</sup> t, I <sub>p</sub> (Let-Thru)	Circuits
H	Standard Code	1-600A	250 and 600V or less	Less than 10,000A available
K ①	Fast Acting (One time)	1-600A	250 and 600V or less	Feeder circuits
J	Fast Acting and Time Delay	1-600A	600V or less	Feeder circuits Motor circuits
RK1	Fast Acting and Time Delay	1/10-600A	600V or less 250V or less	Feeder circuits Motor circuits
RK5	Fast Acting and Time Delay	1/10-600A	600V or less 250V or less	Feeder circuits Motor circuits
C (FORM II)	Moderate Delay	2-600A	600V or less	Motor circuits
T	Fast Acting	1-600A	300 and 600V or less	Non-motor loads
L	Fast Acting and Time Delay	601-5000A	600V or less	Feeder circuits Motor circuits

① Fuse clips do not prohibit the use of Class H type fuse in switch.

② Refer to Siemens for single phase and DC horsepower requirements.

③ Ratings are based on UL test procedure.

④ Connector range applies to VB Switches only.

⑤ Not suitable for use in distribution space in main section.

# Sentron® SMP Switchboards

## Power and Distribution

Selection

### Special Construction, Additions and Accessories

When required, special constructions or additions to standard Switchboards may be specified for all **factory-assembled** Power and Distribution Switchboards. Listed below are those available for Type SMP Switchboards.

#### 1. Enclosure Type

##### 38" Enclosure Types

Type 1
Type 2 (dripproof & sprinklerproof)
Optional: Dripshield

#### 2. Wireway Options

24"W x 90"H x 12.75" Dp	Hinged Door
	Door Covers
24"W x 90"H x 25.5" Dp	Hinged Door
	Door Covers

#### 3. Painted Finish

Touch-Up Paint (ASA61, Light Grey)
12 oz. aerosol can, Cat. #TUP-61

#### 4. Miscellaneous Accessories

Nameplate - laminated and engraved
------------------------------------

#### 5. Bus-Link (One Set Per Panel)

Ampere Rating	Unit Space Occupied in MUD - Inches (mm)
400-1200	Consult Factory

#### 6. Grounding of SMP Switchboard

Non-Insulated Equipment Ground Bus Including Ground Lug
Continuous Solid Copper Ground (optional)

#### 7. Main Bus

Standard Main bus and Neutral bus are tin plated aluminum or silver finished copper (option).
---

#### 8. Lugs

For Main Device and Neutral
For Main Breakers please see SpeedFax section #6
Neutral - please consult factory

#### 9. SPD Modules

<b>Sentron TPS3 05</b>
100KA
150KA
200KA
250KA
300KA
Options: Surge Counter Remote Monitor

#### 10. Circuit Breaker Accessories

**Handle Blocking Device**  
Blocks handle in either the "ON" or "OFF" position. Available for:

Breaker Type	Cat. Number
BL, BLH, HBL, BQ, BQH, HBQ	ECQL1
All BQD, GB	BQDHBD
All QR	HPLQR
All BQD, NGB, NGB2, HGB2, LGB2	BQDHBD
All ED	E2HBL
All FD	FD6HB1
All JD, LD	JD6HBL
All MD, ND, PD	MN6BL
3VA52/61/62	3VA93780LB10

**Padlocking Device – Padlocks in "OFF" position.** Available for:

Breaker Type	Cat. Number
BQ, BQH, BL, BLH, HBL	ECQLD3
One Pole BL, BLF, BE, BAF	ECPLD1
Two-Pole BL, BLF, BE	ECPLD2
All QR	HPLQR
All BQD, NGB, NGB2, HGB2, LGB2	BQDPLD
All ED	ED2HPL
All FD	FD6PL1
All JD, LD	JD6HPL
All MD, ND, PD, RD	MN6PLD
3VA52/61/62	3VA91380LB11

**Handle Extensions -** For replacement (one extension shipped with breaker)

Breaker Type	Cat. Number
All MD, ND, PD	EX11

**Ground Fault Sensing Relay Kit**  
Equipment Protection (30 mA)

For Use with Breaker Types	Number of Poles	Catalogue Number Description
ED4, ED6, HED4	1, 2, 3	See breaker section of this catalogue.

**Shunt Trip on Main or Branch**

Description	Cat. Number
BL, BQD6 (branch only) ED2, ED4, HED4 (branch only) All others through 1200A	See breaker portion of this catalogue

**VK Switch For Use With FPP6 Panelboards**

30/30	VK23611JP	6.25 (159)
60/60	VK23622JP	6.25 (159)
100/100	VK33633JP	7.5 (90)
200/200	VK73644JP	10 (254)

**VB Switch For Use With VB6 Panelboards**

30/30	V7E3611JP	7.5(190)
60/60	V7E3622JP	75(190)
100/100	V7E3633JP	7.5(190)
200	V7F3604JP	10(254)
400	V7H3605JP	15(381)
600	V7H3606JP	15(381)



### A. Scope

Furnish and install, as shown on the plans, a secondary distribution switchboard, as specified herein, for the system indicated below:

- 120/208V     3-phase     3-wire  
 347/600V                         4-wire  
 600V

### B. Configuration

The switchboard enclosure shall be of bolted construction:

- Type 1 indoor.  
 Type 1 with dripshield (optional).  
 Type 2.

Switchboard shall be bolted together to form one metal enclosed rigid switchboard. Switchboard shall include all protective devices and equipment as listed on drawings with necessary interconnections, instrumentation and control wiring.

All groups of control wires leaving the switchboard shall be provided with terminal blocks with suitable numbering strips.

The switchboard shall have space or provisions for future expansion as noted on the plans. Switchboard shall be constructed and certified in accordance with CSA 22.2.31 standards and shall be Siemens type (SMP) or approved equal. Individual sections shall be front accessible, not less than 12.75" (324) deep, and the rear of all sections shall align.

Distribution sections shall be designed to accommodate the intermixing of Molded Case Breakers and Fusible Disconnects in the same distribution interior.

### C. Bus Requirements

The bus shall be  tin-finished aluminum  silver-finished copper (option) of sufficient size to limit the temperature rise to 65°C. The bus shall be braced for  50,000 or  65,000 (option) amperes symmetrical and supported to withstand mechanical forces exerted during short circuit conditions when directly connected to a power source having the indicated available short circuit current.

### D. Incoming Service

Overhead or  Underground Service: Cable Entry

This section shall be bussed and  sealable per local utility requirements.

Screw-type mechanical lugs,  compression lugs to terminate,  aluminum,  copper cable, shall be \_\_\_\_\_ kcmil, and \_\_\_ cables per phase.  Main breaker standard aluminum mechanical lugs suitable for aluminum or copper. (No wireway)

### E. Metering Service Section

The service section shall be designed for the system parameters indicated in section "A" above. The metering service section shall have a  Utility Metering compartment per utility requirements.

User metering as indicated below and as shown on plans.

Main (service) section:

Siemens Digital metering with remote display

- \_\_\_\_\_ current transformer(s)  
 \_\_\_\_\_ /5 or suitable rating

SEM3 Embedded Metering

### Ground fault Protection (3-Phase, 4-Wire):

Furnish and install on the service equipment and/or switchboard a Ground Fault protection system and indication equipment as specified herein and as shown on drawings in accordance with CEC Section 14-102.

All new Ground Fault Protection and Indication equipment shall be factory installed, wired and tested by the switchboard manufacturer.

### F. Switchboard SMP Guide Specification

The complete switchboard shall be finished with light grey, ASA-61 paint.

Each switchboard main section shall have a metal nameplate permanently affixed to it, listing the following information:

- Name of manufacturer
- System voltage
- Ampacity
- Type
- Manufacturer's shop order number and date
- Each section of switchboard shall bear a CSA certification mark and a short circuit rating label.

The switchboard shall be per the arrangement below.

### F1. Switchboard Type Panel-Mounted, Front Accessible.

Switchboard shall be of Siemens SMP type, or approved equal. Individual sections shall be front accessible, floor mounted rear supported, not less than 12.75" (324) deep, and rear, of all sections shall align. Incoming line termination, main device connection and all bolts used to join current-carrying parts shall be installed so as to permit servicing from the front only so that no rear access is required. The branch devices shall be front removable and panel mounted with line and load side connections front accessible.

### G. Main Protective Devices

The main protective device, to be installed in the main device section, shall be as indicated below:

#### G1. Molded Case Circuit Breaker

Molded case circuit breaker shall be of the quick-make, quick-break, trip-free,  (standard)  (High Interrupting)  (Current Limiting)  (solid state Sensitrip III) type.

- It shall be \_\_\_\_\_ frame  (3-pole)  (240V)  (600V) breaker with a trip current rating of:  
 400A,  600A,  800A,  1000A<sup>Ⓞ</sup>,  
 1200 A<sup>Ⓞ</sup> of an interrupting capacity

of not less than \_\_\_\_\_ amperes RMS symmetrical at the system voltage.

The following accessory options are to be included:

- Shunt trip  
 Ground fault relay  
 Long time (Sensitrip III only)  
 Long time delay (Sensitrip III only)  
 Short time (Sensitrip III only)  
 Short time delay (Sensitrip III only)  
 Integral ground fault (Sensitrip III only)  
 Other \_\_\_\_\_ (list)

### H. Branch Protective Devices (Select as necessary)

All molded case circuit breakers, and fusible disconnect units used as a protective device in a branch circuit will meet the requirements of the appropriate paragraph below

#### H1. Molded Case Circuit Breaker

Molded case circuit breakers shall be of quick-make, quick-break, trip-free  (thermal magnetic type)  (current limiting)  (solid state) with frame, trip and voltage rating, either  2-pole or  3-pole, as indicated on the plans. All breakers shall have an interrupting capacity of not less than \_\_\_\_\_ amperes RMS symmetrical at the system voltage. All breakers shall be removable from the front of the switchboard without distributing adjacent units. The switchboard shall have space or provisions for future units shown on the plans.

#### H2. Current Limiting Circuit Breaker

Current limiting circuit breakers shall provide inverse time delay, instantaneous circuit protection, and also limit the let-through  $I^2t$  to a value less than  $I^2t$  of one-half cycle wave of the symmetrical prospective current without any fusible elements. Breakers shall have an interrupting capacity of not less than \_\_\_\_\_ ampere RMS symmetrical at the system voltage.

#### H3. Fusible Disconnect

Fusible disconnects shall be quick-make, quick-break units utilizing the double-break principle of circuit rupturing to minimize arcing and pitting and shall conform to the ratings shown on the plans.

Each disconnect shall have an individual door over the front, equipped with a voidable interlock that prevents the door from being opened when the switch is in the ON position unless the interlock is purposely defeated by activation of the voiding mechanism. All disconnects shall have externally operated handles. Disconnects shall be equipped with  Class J (standard),  Class R rejection type,  Class L (standard),  Class T fuse holders as indicated on the plans suitable for application on system with \_\_\_\_\_ amperes symmetrical available fault current.

<sup>Ⓞ</sup> Ground fault protection required, per CEC section 14-102 when "the current is 0 1000A at 600 volts."

## Fault-Current Calculation on Low-Voltage AC Systems

In order to determine the maximum interrupting rate of the circuit breakers in a distribution system it is necessary to calculate the current which could flow under a three-phase bolted short circuit condition. For a three-phase system the maximum available fault current at the secondary side of the transformer can be obtained by use of the formula:

$$I_{sc} = \frac{kVA \times 100}{KV \times \sqrt{3} \times \% Z}$$

$I_{sc}$  = Symmetrical RMS amperes of fault current.

kVA = Kilovolt-ampere rating of transformers.

KV = Secondary voltage in kilovolts.

%Z = Percent impedance of primary line and transformer.

## Integrated Equipment Short Circuit Ratings

The term "Integrated Equipment Short Circuit Rating" refers to the application of series connected circuit breakers in a combination that allows some breakers to have lower individual interrupting ratings than the available fault current. This is permitted as long as the series combination has been tested and certified by UL & CSA.

Series ratings must be specified on order at time of entry. For more information on series ratings please consult your local Siemens sales representative.

Normal load and Fault Currents of Three Phase Transformers® (Table 18)

Transformer Rating 3 Phase Kva and impedance % <sup>①</sup>	Maximum Short-Circuit Kva Available from Primary System	208 Volts, 3 Phase			240 Volts, 3 Phase			480 Volts, 3 phase			600 Volts, 3 Phase						
		Rated Load Continuous Current, Amps	Short-Circuit Current RMS Symmetrical Amps.		Rated Load Continuous Current, Amps	Short-Circuit Current RMS Symmetrical Amps.		Rated Load Continuous Current, Amps	Short-Circuit Current RMS Symmetrical Amps.		Rated Load Continuous Current, Amps	Short-Circuit Current RMS Symmetrical Amps.					
			Transformer Alone	50% Motor Load <sup>②</sup>		Com- bined	Transformer Alone <sup>②</sup>		100% Motor Load	Com- bined		Transformer Alone <sup>②</sup>	100% Motor Load	Com- bined	Transformer Alone	100% Motor Load <sup>②</sup>	Com- bined
300 5%	50000	834	14900	1700	16600	722	12900	2900	15800	361	6400	1400	7800	289	5200	1200	6400
	100000		15700		17400		13600		16500		6800		8200		5500		6700
	150000		16000		17700		13900		16800		6900		8300		5600		6800
	250000		16300		18000		14100		17000		7000		8400		5600		6800
	500000		16500		18200		14300		17200		7100		8500		5700		6900
Unlimited	16700	18400	14400	17300	7200	8600	5800	7000									
500 5%	50000	1388	21300	2800	25900	1203	20000	4800	24800	601	10000	2400	12400	481	8000	1900	9900
	100000		25200		28000		21900		26700		10900		13300		8700		10600
	150000		26000		28800		22500		27300		11300		13700		9000		10900
	250000		26700		29500		23100		27900		11600		14000		9300		11200
	500000		27200		30000		23600		28400		11800		14200		9400		11300
Unlimited	27800	30600	24100	28900	12000	14400	9600	11500									
750 5.75%	50000	2080	28700	4200	32900	1804	24900	7200	32100	902	12400	3600	16000	722	10000	1900	12900
	100000		32000		36200		27800		35000		13900		17500		11100		14000
	150000		33300		37500		28900		36100		14400		18000		11600		14500
	250000		34400		38600		29800		37000		14900		18500		11900		14800
	500000		35200		39400		30600		37800		15300		18900		12200		15100
Unlimited	36200	40400	31400	38600	15700	19300	12600	15500									
1000 5.75%	50000	2780	35900	5600	41500	2406	31000	9600	40600	1203	15500	4800	20300	962	12400	3900	16300
	100000		41200		46800		35600		45200		17800		22600		14300		18200
	150000		43300		48900		37500		47100		18700		23500		15000		18900
	250000		45200		50800		39100		48700		19600		24400		15600		19500
	500000		46700		52300		40400		50000		20200		25000		16200		20100
Unlimited	48300	53900	41800	51400	20900	25700	16700	20600									

① Short circuit currents are calculated with impedances and kVA shown in this table.

② Short circuit current contributions are calculated on the basis of motor characteristics that will produce four times normal current. 50% motor load contribution is assumed for 208V and 100% motor load contribution is assumed for 240V, 480V and 600V.

③ This Table has been prepared to list the symmetrical RMS fault current which is available at the secondary terminals of the transformer.



# Sentron® FCI, FCII Switchboards

*General*



Whether the design is for a 240V AC, 400 ampere system; a 600V AC, 6000 ampere system; or something in between, Siemens Sentron Switchboards should be considered. Every aspect of design has been aimed at improving layout convenience, reducing installation costs, and minimizing the impact and cost of system changes. These switchboards provide the rugged construction and service flexibility necessary in systems for industrial plants, hi-rise complexes, hospitals, and commercial buildings, and are built to NEMA and CSA, C22.2 #31 and EEMAC, G8.2 standards (up to 4000A).

### **90°C rated wireway.**

The termination temperature for main incoming cables can be sized at 90°C for bussed pull sections.

### **CSA Certified to: CAN/CSA-22.2 No. 31-18**

CSA Certificate No. 70172994

### **FCI Switchboard**

- Main bus rated up to 2000 ampere.
- Branch Devices—panel mounted.
- Rear of all sections aligned so that switchboard can be installed against wall.
- Front connected and front accessible.
- Main devices—individually mounted or panel mounted. Molded Case Breaker: 400-1200 amps fixed.
- Quick-Make Quick-Break Fusible Switch: 800-1200 amps., fixed.
- Bolted Pressure Fusible Switch: 800–2000 amps., fixed.
- Low Voltage Power Circuit Breaker: 400-2000 amps fixed.
- Branch Devices: panel mounted only. Molded Case Breaker: 15–1200 amp., fixed.
- Quick-Make Quick-Break Fusible Switch: 30–1200 amps., fixed.

### **FCII Switchboard**

- Main bus rated up to 6000A ampere.
  - Branch Devices rear connected individually mounted.
  - Front and rear of all sections align. Design for mounting away from wall.
  - Free Standing
  - Rear connected and rear accessible.
  - Main Devices—individually mounted. Molded Case Breaker: 400-1200 amps., fixed.
  - Quick-Make Quick-Break Vacu-Break Fusible Switch: 400-1200 amps., fixed. Bolted Pressure Fusible Switch: 800–4000 amps., fixed.
  - Low Voltage Power Circuit Breaker: 800-5000 amps., fixed or drawout.
  - Branch Devices: individually mounted Molded Case Breaker: 100–2000 amp., fixed (or plug in).
  - Quick-Make Quick-Break Fusible Switch: 100–1200 amp., fixed. Bolted Pressure Switch: 800–4000 amp., fixed.
  - Low Voltage Power Circuit Breaker: 800–5000 amps., fixed, or drawout.
- \* 6000 amps - Consult Sales Office

# Sentron® FCI, FCII Switchboards

## Construction Details

General

11 SWITCHBOARDS

### Versatility simplifies system design.

#### Service Sections

Typical switchboards consist of a service section, and one or more distribution sections. Service sections can be fed directly from overhead by either cable or bus duct.

When fed from underground, a separate pull section is usually added. The service section is then fed from the adjacent pull section.

Low Voltage Power circuit breakers and Vacu-Break Switches equipped for bottom feed will accept cable directly from underground into the service section

### Choose bussed or non-bussed pull sections.

With FCI and FCII switchboards, a non-bussed pull section, or a cross-bussed pull section for underground feed can be selected. The unique cross-bussed section permits cable to be run straight from underground to the bus bars at the top of the section.

Non-bussed pull sections have openings for carrying the underground feed cables to the service section bus.

### Main Section house a variety of equipment.

#### Utility Metering

In addition to the main disconnect, the main section usually contains utility metering provisions. "Cold" metering provisions (CT's on the load side of the main disconnect) are normally furnished. When utility metering is required, the CT's provided by the utility company will be mounted in a completely separate compartment. The compartment will be built to utility company standards, with hinged doors and provision for utility metering equipment.

#### User Metering

The main section often provides space for many user instrument requirements. Ammeters, voltmeters, and their associated selector switches can be mounted in the main section along with the main disconnect. Only if a very large instrument or an unusual number of instruments are required, would a separate section be required.

Main protective devices can be mounted individually so that they can be located quickly in an emergency. FC switchboards will accommodate different types of main protective devices. Selection depends on the characteristics of your individual electrical system.

### Distribution Sections have expanded wiring room and exceptional accessibility.

Generous top and bottom gutters have been created by locating through-bus in the rear centre of the distribution section. No obstructions are less than 8" (203) above the floor, and no live bus bars are located less than 10" (254) off the floor. So there's plenty of room to run cables into the distribution section to make connections.

Standard bolted gutter covers give complete access to load conductors. As an option, hinged doors can be furnished where quick access to load connectors is desired.

Heavy channels form a rigid ring at the base and top of each section and heavy gauge structural members are used for the vertical corner posts so there's no encroachment of additional bracing into the top and bottom gutter areas.

To provide additional room for load cable routing where needed, pull box extensions are available in heights of 10 (254), 15 (381), 20 (508), 25 (635) and 30 (762) inches to mount on any standard distribution section.

Top plates on all sections are easily removed in the field for drilling, punching, and cutting conduit entry holes.

### Distribution sections are designed with the future in mind.

Because all distribution sections can accommodate any combination of panel-mounted branch devices, including molded case circuit breakers, Vacu-Break® fusible switches, future system modifications are easier to handle without adding switchboard sections.

To make additional distribution sections easier to install when they are necessary the through-bus in each distribution section is extended, and the end is pre-drilled to accept splice plate bolts. To add a section to an existing FCI or FCII switchboard, set the new section flush against the side of the existing distribution section, and bolt together the bus bar splice plates.

### Operating temperatures are in accordance with CSA Standard C22.2 #31 and UL Standard 891.

Bus cars are available in standard tin-finished aluminum or optional tin-finished copper. Standard bus is sized on the basis of heat rise criteria, in accordance with CSA C22.2 #31 and UL891. All bus bars are sized to limit heat rise to 65°C above an ambient temperature of 40°C.

### Modular, bolted frame construction saves labour.

Modular construction of all service and distribution sections allows the switchboard to be designed into the building, rather than designing the building around the switchboard. FCI and FCII switchboards can even be continued around corners where necessary. Rigid, bolted frames can be shipped individually and moved into the building in sections that are easy to maneuver without special equipment, then quickly assembled in place.

# Sentron® FCI, FCII Switchboards

## FCI, FCII Switchboards

General

Service sections of the FCI and FCII accept a wide range of Sentron Molded Case Circuit Breakers, Vacu-Break® Fusible Switches, or WL Low Voltage Power Circuit Breakers as main disconnect devices.

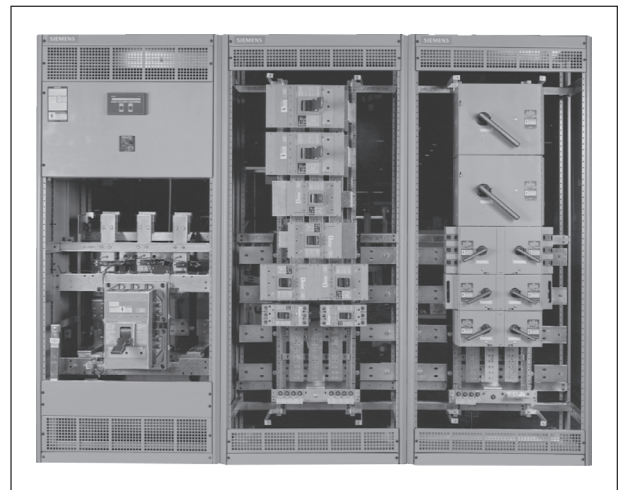
The FCII switchboard is designed for special configurations. It can be equipped with incoming and outgoing busway connections, automatic transfer schemes and many other custom engineered applications. The FCII can also be supplied with special metering provisions, current transformers, potential transformers, panelboards and many other special features.

The distribution sections of all Sentron Switchboards are designed with improved wiring space and greater accessibility. They're also designed for easier installation and maintenance. Conveniently located through-bus creates useful wiring gutter space, and standard bolted gutter covers offer complete access to load conductors.

	FCI	FCII
Enclosure Type	Type 1 Type 2 (dripproof & sprinklerproof) Optional: Dripshield, Gaskets	Type 1 Type 2 (dripproof & sprinklerproof) Optional: Dripshield, Gaskets
Section Dimensions	38" W x 90" H x 28" Dp 20", 24", 32", 38" W Pull Box	20", 25", 32", 46", 54" W x 70", 90" H x 28", 38", 48", 58", Dp. 20", 24", 32", 38" W Pull Box
Volts	600V Max	600V Max
Amperes	400-2000A	400-6000A
Entry	Cable only	Cable, Duct Hydro Trough
Main Devices	MCCB 400-1200A VB 800-1200A Pringle 800-2000A WL ICCB 800-2000A	MCCB 400-1200A VB 400-1200A Pringle 800-4000A WL ACB 800-5000A (option) WL ICCB 800-5000A
Branch Devices	S5-22.5", 45", 65" CDP-7, P2 2-21" (MUD)	S5-22.5", 30", 45", 65", 75"
Metering Devices	Siemens Digital Metering with Remote Display SEM3 Embedded Metering	Siemens Digital Metering with Remote Display SEM3 Embedded Metering other manufactures Analog VB Meter centres
Relays	Single Phase, GFR3, MGFR, GFR	All Types
Other Options		Transfer switch provisions, Power Transformer Connections, Dist. Transformer Provisions Bus Duct Connections

### Distribution Sections

Switch-board Type	Access	Dimensions - Inches (mm)					
		Height		Width		Depth	
		Std.	Opt.	Std.	Opt.	Std.	Opt.
FCI	Front	90	—	38	—	28 <sup>①</sup>	—
FCII	Rear	90	70	38	32 or 46	38 <sup>②</sup>	28, 48, or 58 <sup>②</sup>



① Distribution section with two high 800 or 1200A Vacu-Break is 28 in. deep.

② Distribution section with two high bolted pressure switch is 38 in. deep minimum.

# Sentron® FCI, FCII Switchboards

## General/Guide

Even the front, back and side covers of the FCI and FCII are light, easy-to-handle, formed steel pieces that fit flush to the cabinet sides. No heavy, unwieldy flat plate must be removed to gain interior access.

### **Bus location saves wiring time.**

All through-bus to adjoining sections are located in the rear centre of distribution section. This design provides large, unobstructed wiring gutters at the top and bottom of each section. Wiring takes less time, and costs less to install.

### **Splice plates are accessible from the front.**

All splice plates can be bolted and unbolted from the front of the switchboard to make connection of adjacent sections easy. Each splice plate is attached by grade 5 bolts to assure solid joints between sections, and to maintain full bus ampacity through the splice joint.

To make installation and servicing of the splice plates easier, all phase and neutral through-busses are stacked one above the other, eliminating the need to stuff bolts in between bus bars that are stacked one behind the other in the same horizontal plane.

### **Two types of cable terminals are available.**

Screw mechanical connectors (lugs) are provided as standard equipment on all devices. However, compression connectors are available as an option on all main lugs, main bolted pressure switches, main power circuit breakers, and main insulated case circuit breakers.

# Sentron® FCI, FCII Switchboards

## Specifications

## General/Guide

### A. Scope

Furnish and install, as shown on the plans, a secondary distribution switchboard, as specified herein, for the system indicated below:

- |                                   |                                  |                                 |
|-----------------------------------|----------------------------------|---------------------------------|
| <input type="checkbox"/> 120/208V | <input type="checkbox"/> 3-phase | <input type="checkbox"/> 3-wire |
| <input type="checkbox"/> 277/480V |                                  | <input type="checkbox"/> 4-wire |
| <input type="checkbox"/> 480V     |                                  |                                 |
| <input type="checkbox"/> 347/600V |                                  |                                 |
| <input type="checkbox"/> 600V     |                                  |                                 |

### B. Configuration

The switchboard enclosure shall be:

- Type 1 indoor of a bolted construction design.
- Sprinkler Proof  Gasketted
- Type 2  Dripshield

Switchboard shall be of the required number of vertical sections bolted together to form one metal enclosed rigid switchboard. The sides, top and rear shall be covered with removable bolted code gauge steel plates. Switchboard shall include all protective devices and equipment as listed on drawings with necessary interconnections, instrumentation and control wiring. All groups of control wires leaving the switchboard shall be provided with terminal blocks with suitable numbering strips.

The switchboard shall have space or provisions for future expansion as noted on the plans.

Switchboard shall be constructed in accordance with the latest EEMAC G8.2 and CSA 22.2 #31 standards and shall be Siemens type (FCI) (FCII) or approved equal. Individual sections shall be front and rear accessible, not less than 28" deep, and the rear of all sections shall align.

Distribution sections shall be designed to accommodate the intermixing of Molded Case Breakers and fusible devices in the same distribution interior.

### C. Bus Requirements

The bus shall be (tin-finished aluminum) (silver-flash copper) of sufficient size to limit the temperature rise to 65°C. The bus shall be braced for (50,000) (75,000) (100,000) (200,000) amperes symmetrical and supported to withstand mechanical forces exerted during short circuit conditions when directly connected to a power source having the indicated available short circuit current.

The through-bus on the end section shall be extended and pre-drilled to allow the addition of future sections with standard splice plates.

Grade 5 bolts will be used at bus joints.

### D. Incoming Service

#### 1. Underground Service:

To isolate incoming underground service conductors, an underground cable pull or auxiliary section shall be used. This section shall be of the  non-bussed,  bussed type and shall be sealable per local utility requirements,  screw-type mechanical lugs,  compression lugs to terminate,  aluminum,  copper cable, shall be furnished as detailed on the plans.

#### 2. Overhead Service:

##### A. Cable Entry

screw-type mechanical lugs  
 compression lugs to terminate  
 aluminum  copper cable shall be furnished as detailed on the plans. Where necessary provide top cable pull box which shall be sealable per local utility requirements.

##### B. Busway Entry

Switchboard to be fed by Siemens Bus duct  copper,  aluminum, \_\_\_ ampere as detailed on plans,  and other sections of the specification. The switchboard manufacturer shall be responsible for coordination, proper phasing and internal bussing to the incoming busway.

##### C. Transformer Coupling

The switchboard shall be directly connected to the adjacent transformer section, including all necessary bus bars and flexible connectors.

### E. Metering Service Section

The service section shall be designed for the system parameters indicated in section "A". The metering service section shall have a  metering compartment per utility requirements,  user metering as indicated below and as shown on plans.

Main bus:

- Voltmeter with \_\_\_\_\_ -phase transfer switch
- Ammeter, with \_\_\_\_\_ -phase transfer switch
- Digital metering
- \_\_\_\_\_ current transformer(s)
- \_\_\_\_\_ /5 or suitable rating
- \_\_\_\_\_ potential transformer(s), of suitable rating.
- SEM3 Embedded Metering (Main Breaker/Main Incoming)

Branch circuits:

- Ammeter(s), with \_\_\_\_\_ -phase transfer switch
- SEM3 Embedded Metering

### Ground fault Protection:

Furnish and install on the service equipment and/or switchboard a Ground Fault protection system and indication equipment as specified herein and as shown on drawings in accordance with The Canadian Electrical Code Section 14-102.

All new Ground Fault Protection and Indication equipment shall be factory installed, wired and tested by the switchboard manufacturer.



### F. Switchboards FCI, FCII Guide Specification

The complete switchboard shall be phosphatized and finished with light grey, ASA-61 paint.

Each switchboard section shall have a metal nameplate permanently affixed to it, listing the following information:

- Name of manufacturer
- System voltage
- Ampacity
- Type
- Manufacturer's shop order number and date
- Each section of switchboard shall bear a CSA listing mark and a short circuit rating label.
- The switchboard shall be per the arrangement below (Select 1 of ITEM F)

#### F1. Switchboard Type Panel-Mounted, Front Accessible.

Switchboard shall be of Siemens FCI type, or approved equal. Individual sections shall be front accessible, not less than 28" deep, and rear of all sections shall align. Incoming line termination, main device connection and all bolts used to join current-carrying parts shall be installed so as to permit servicing from the front only so that no rear access is required. The branch devices shall be front removable and panel mounted with line and load side connections front accessible.

#### F2. Switchboard Type Panel-Mounted Rear Accessible

Switchboard shall be of Siemens FCII type, or approved equal. Individual sections shall be front and rear accessible, not less than 38" deep, and both the front and rear of all sections shall align. The branch devices shall be front removable and panel mounted with line and load side connections front accessible. The bus and main device connections shall be rear accessible.

#### F3. Switchboard Type Individually Mounted, Rear Accessible (Fixed mounted devices).

Switchboard shall be of Siemens FCII type, or approved equal. All sections shall align front and rear. All disconnect devices, main and feeders, shall be mounted individually at the front of the switchboard and shall be rear accessible. The load terminals of each feeder device shall be extended by means of insulated bus bars through the bus compartment in to the rear cable compartment.

##### Optional

- barriers shall be provided between bus and cable compartment.
- barriers shall be provided between vertical sections.
- barriers shall be provided between devices and bus compartment.
- barriers shall be provided between individual devices.

#### F4. Switchboard Type Individually Mounted Rear Accessible (Drawout Power Circuit Breaker).

Switchboard shall be of Siemens FCII type or approved equal. All sections shall be aligned front and rear. Each vertical section forming part of switchboard lineup shall have one or more individual breakers or instrument compartments, a centralized main bus compartment and a rear cabling compartment. Drawout power circuit breakers shall be individually mounted in their own compartments. Metal barriers shall be provided at the sides and rear of each compartment and a horizontal metal barrier between breakers in the same vertical section. The breaker shall be accessible through a hinged metal door on each breaker compartment.

The drawout mechanism of power circuit breaker shall be such that it can be moved from connect through test to disconnect position without opening the door. In the "connect" position, both the

primary and secondary disconnects are engaged. In the "test" position, the primary disconnect terminals are disengaged; however, the secondary disconnects are maintained to permit the operation of the circuit breaker. In the "disconnect" position, the primary and secondary disconnects are disengaged and separated a safe distance from the corresponding stationary terminals. In the "fully withdrawn" position, both primary and secondary contacts are disconnected and the circuit breaker may be inspected as it can be removed for more complete accessibility.

The load side of each feeder breaker shall have bus bars extending from the rear of the primary disconnect through the bus compartment in to the rear cable compartment.

##### Optional

- barriers shall be provided between bus and cable compartment.
- barriers shall be provided between vertical sections.
- barriers shall be provided between devices and bus compartment.
- barriers shall be provided between individual devices.

## G. Main Protective Devices (Select one of Item G)

The main protective device, to be installed in the main device section, shall be as indicated below:

### G1. Molded Case Circuit Breaker

Molded case circuit breaker shall be of the quick-make, quick-break, trip-free, (standard) (High Interrupting) (Current Limiting) (solid state Sensitrip III) type. It shall be \_\_\_\_\_ frame (2-pole) (3-pole) 600-volt breaker with a trip current rating of:

- 400 A
- 600 A
- 800 A
- 1000 A
- 1200 A
- 1600 A
- 2000 A

of an interrupting capacity of not less than \_\_\_\_\_ amperes RMS symmetrical at the system voltage.

The following accessory features are to be included:

- Shunt trip
- Electrical Operator
- Ground fault relay
- Long time (Sensitrip III only)
- Long time delay (Sensitrip III only)
- Short time (Sensitrip III only)
- Short time delay (Sensitrip III only)
- Integral ground fault (Sensitrip III only)
- Other \_\_\_\_\_ (list)

### G2. Fusible Switch

Fusible switch of the quick-make, quick-break type. It shall be a (2-pole) (3-pole) (240V) (600V) Vacu-Break unit with a continuous current rating of (400) (600) (800) (1200) amperes and with \_\_\_\_\_ ampere Class \_\_\_\_\_ fuses, suitable for application on a system with \_\_\_\_\_ amperes symmetrical available fault current.

### G3. Bolted Pressure Switch

Bolted pressure switch of the quick-make, quick-break type. It shall be a (2-pole) (3-pole) (240V) (600V) unit with a continuous current rating of:

- 800 A
- 1200 A
- 1600 A
- 2000 A
- 2500 A
- 3000 A
- 4000 A
- \_\_\_\_\_ A

and with \_\_\_\_\_ ampere Class L fuses suitable for application on a system with \_\_\_\_\_ amperes symmetrical available fault current.

The following accessory features are to be included:

- Shunt trip
- Ground fault relay
- Other \_\_\_\_\_ (list)

### G4. Insulated Case Circuit Breaker

Insulated case circuit breaker with a stationary frame. Frame size to be \_\_\_\_\_ ampere 3-pole, 600-volt with a trip current rating of:

- 400 A
- 600 A
- 800 A
- 1000 A
- 1200 A
- 1600 A
- 2000 A
- 2500 A
- 3000 A
- \_\_\_\_\_ A

It shall be a manually operated breaker with a solid state trip device, and an interrupting capacity of not less than \_\_\_\_\_ amperes RMS symmetrical at the system voltage.

The following accessory features are to be included:

- Short time delay
- Integral ground fault trip
- Fault trip indicator
- Other \_\_\_\_\_ (list)

### G5. Low Voltage Power Circuit Breaker

Low voltage power circuit breaker with a (stationary) (drawout) frame and a current rating of:

- 800 A
- 1600 A
- 2000 A
- 3200 A
- 4000 A
- \_\_\_\_\_ A

It shall be (manually) (electrically) operated power circuit breaker with a Electronic Trip Unit and an interrupting capacity of \_\_\_\_\_ amperes RMS symmetrical at the system voltage.

The following accessory features are to be included:

- Short time delay
- Integral ground fault trip
- Fault trip indicator
- Other \_\_\_\_\_ (list)

## H. Branch Protective Devices (Select as necessary)

All molded case circuit breakers, fusible switches, insulated case circuit breakers, bolted pressure switches, low voltage power circuit breaker, and/or motor starter units used as a protective device in a branch circuit will meet the requirements of the appropriate paragraph below.

### H1. Molded Case Circuit Breaker

Molded case circuit breakers shall be of quick-make, quick-break, trip-free (thermal magnetic type) (current limiting) (solid state) with frame, trip and voltage rating, either 2-pole or 3-pole, as indicated on the plans. All breakers shall have an interrupting capacity of not less than \_\_\_\_\_ amperes RMS symmetrical at the system voltage. All breakers shall be removable from the front of the

switchboard without distributing adjacent units. The switchboard shall have space or provisions for future units shown on the plans.

### H2. Current Limiting Circuit Breaker

Current limiting circuit breakers shall provide inverse time delay, instantaneous circuit protection, and also limit the let-through  $I^2t$  to a value less than  $I^2t$  of one-half cycle wave of the symmetrical prospective current without any fusible elements. Breakers shall have an interrupting capacity of not less than \_\_\_\_\_ ampere RMS symmetrical at the system voltage.

### H3. Fusible Switch

Fusible switches shall be quick-make, quick-break units utilizing the double-break principle of circuit rupturing to minimize arcing and pitting and shall conform to the ratings shown on the plans.

Each switch shall have an individual door over the front, equipped with a voidable interlock that prevents the door from being opened when the switch is in the ON position unless the interlock is purposely defeated by activation of the voiding mechanism. All switches shall have externally operated handles. Switches shall be equipped with (Class R rejection type) fuse holders and Class (J) (R) or (L) fuses of ampere rating and type as indicated on the plans suitable for application on system with \_\_\_\_\_ amperes symmetrical available fault current.

### H4. Bolted Pressure Switch

Each bolted pressure switch shall be the quick-make, quick-break type, equipped with Class L fuses suitable for application on a system with \_\_\_\_\_ amperes symmetrical available fault current. Ampere rating to be as shown on the plans.

### H5. Insulated Case Circuit Breaker

FCII Switchboards only  
Each insulated case circuit breaker shall be manually operated with solid state trip device. Frame sizes and trip ratings to be as shown on the plans. All breakers to have an interrupting capacity of not less than \_\_\_\_\_ amperes symmetrical at the rated voltage.

### H6. Low Voltage Power Air Circuit Breaker

FCII Switchboards only  
Each low voltage power air circuit breaker shall be (stationary mounted) (drawout mounted) stored energy type, trip free, (manually operated) (electrically operated) with solid-state trip device. Frame sizes and trip ratings to be as shown on the plans. All breakers to have an interrupting capacity of no less than \_\_\_\_\_ amperes symmetrical at the rated voltage.



# Sentron® SMP, FCI, FCII Switchboards

## Modifications and Additions Replacements for Circuit Breakers and Fusible Switches<sup>⑦</sup> Selection

### Connecting Strap Kits for use with Circuit Breakers in Distribution Sections<sup>④⑧⑩</sup> (Table 15)

Breaker Type	Catalogue Number	Unit Height	Mounting
BQ, BQH, HB, BL, BLH, HBL	6BL2C <sup>②③⑤</sup>	3.75" (95)	Twin
NGB2, HGB2, LGB2	SGB2DCAN	3.75" (95)	Twin
ED2, ED4, ED6, HED4	6E62 <sup>①②③</sup>	3.75" (95)	Twin
CED6	6CLE2 <sup>①</sup>	3.75" (95)	Twin
3VA61	S3VA52TDCAN <sup>⑥</sup>	5" (127)	Twin
QR2, QR2H, HQR2, HQR2H	6QR2CAN <sup>⑥</sup>	5" (127)	Twin
FXD6, FD6, HFD6, HHFD6	6F62 <sup>①</sup>	5" (127)	Twin
CFD6	6CLF1C <sup>⑤</sup>	5" (127)	Single
3VA52, 3VA62	S3VA52TDCAN <sup>⑥</sup>	5" (127)	Twin
JXD6, JD6, HJD6, HHJD6	6JJ62 <sup>①</sup>	8.75" (222)	Twin
CJD6	6CLJ1C <sup>⑤</sup>	8.75" (222)	Single
LXD6, LD6, HLD6, HHL6, SLD6, SHLD6, SJD6, SHJD6	6LL61C <sup>⑤</sup>	8.75" (222)	Single
CLD6, SCJD6	6CLL1C <sup>⑤</sup>	8.75" (222)	Single
SCJD6, SCLD6	6SCL61C <sup>⑤</sup>	8.75" (222)	Single
MXD6, MD6, HMD6, CMD6, SHMD6, SCMD6	6M61C <sup>⑤</sup>	10" (254)	Single
NXD6, ND6, HND6, CND6, SHND6, SCND6	6N61C <sup>⑤</sup>	10" (254)	Single

### Connecting Strap Kits for use with VB, VK or HCP Switches in Distribution Sections<sup>④⑧⑩</sup> (Table 16)

Rating Amperes	VB Switch Cat. No.	VB Switch Cat. No.	HCP Switch Cat. No.
30/30	VB6-71	VK6-57	N/A
60/60		VK6-58	
100/100		N/A	
200	N/A	VK6-72	F6162DCAN
200/200	N/A	N/A	
400-600	VB6-150	N/A	
800-1200	N/A	N/A	

### Metering Switch for FCI Metering Switchboards<sup>⑩</sup>

Ampere Rating	600V Metering Switch (c/w Meter Socket)	Height-Inches (mm)
30/30	V7E3611JMC7	10" (254)
60/60	V7E3622JMC7	10" (254)
100/100	V7E3633JMC7	10" (254)
200	V7F3604JMC7	17.5" (444.5)

### 3VA Breaker Provision Kits

Breaker Type	Cat. Number	Description
3VA52, 3VA61 or 3VA62 Breaker	S3VA52PRCAN	Contains the necessary hardware to land breaker on an existing scrap kit

- ① These are aluminum connectors. If copper is required please add suffix C.
- ② 3.75" (95) plate accommodates six 1-pole breakers.
- ③ 10" (254) plate accommodates eighteen 1-pole breakers.
- ④ Connector kits also accommodate S5, F2, CDP6 Panelboards, FCRS, FCI and FCII distribution interiors or CDP6/SPP6 Series Panels.
- ⑤ These connectors are available in copper only.
- ⑥ Blank (Circuit Breaker or Switch) Cover Plates can also be used in FCI and FCII distribution interiors or CDP6/SPP6 Series Panels.
- ⑦ Please refer to the respective section in the catalogue for detailed circuit breaker or switch information.

### Blank Filler Plates for Distribution Switch or Circuit Breaker<sup>④</sup> (Table 17)

For use with SMP Switchboards.	
Height - Inches (mm)	Catalogue Number
1.25" (32)	6FPB01
2.50" (64)	6FPB02
3.75" (95)	6FPB03
5.00" (127)	6FPB05
10.00" (254)	6FPB10
15.00" (381)	6FPB15

### Shunt Trip on Main or Branch

Description	Cat. Number
BL, BQD6 (branch only) ED2, ED4, HED4 (branch only) All others through 1200A	See breaker portion of this catalogue

- ⑧ Mounting kits include connector straps and covers (breakers or switches are not included).
- ⑨ Refer to Siemens for units equipped with auxiliary switches.
- ⑩ Connecting strap kits include connecting straps, hardwares, and cover plates for switchboards and power panels. Breakers and switches to be ordered separately.
- ⑪ Metering switch kits include metering switches, cover plates, connecting straps, and hardware.
- ⑫ QR filler plates only: 6QR2FKCAN. For copper QR kit, use p/n: 6QR2CCAN.
- ⑬ To field install a single 3VA52, 3VA61 or 3VA62 breaker to an existing strap, provision kit p/n: S3VA52PRCAN is required.

### Circuit Breaker Accessories Handle Blocking Device Blocks handle in either the "ON" or "OFF" position. Available for:

Breaker Type	Cat. Number
BL, BLH, HBL, BQ, BQH, HBQ	ECQL1
All BQD, GB	BQDHBD
All QR	HPLQR
All BQD, NGB, NGB2, HGB2, LGB2	BQDHBD
All ED	E2HBL
All FD	FD6HB1
All JD, LD	JD6HBL
All MD, ND, PD	MN6BL
3VA52/61/62	3VA93780LB10

### Padlocking Device — Padlocks in "OFF" position. Available for:

Breaker Type	Cat. Number
BQ, BQH, BL, BLH, HBL	ECQLD3
One Pole BL, BLF, BE, BAF	ECPLD1
Two-Pole BL, BLF, BE	ECPLD2
All QR	HPLQR
All BQD, NGB, NGB2, HGB2, LGB2	BQDPLD
All ED	ED2HPL
All FD	FD6PL1
All JD, LD	JD6HPL
All MD, ND, PD, RD	MN6PLD
3VA52/61/62	3VA91380LB11

### Handle Extensions - For replacement (one extension shipped with breaker)

Breaker Type	Cat. Number
All MD, ND, PD	EX11

### Ground Fault Sensing Relay Kit Equipment Protection (30 mA)

For Use with Breaker Types	Number of Poles	Catalogue Number Description
ED4, ED6, HED4	1, 2, 3	See breaker section of this catalogue.

### VK Switch For Use With FPP6 Panelboards

30/30	VK23611JP	6.25 (159)
60/60	VK23622JP	6.25 (159)
100/100	VK33633JP	7.5 (90)
200/200	VK73644JP	10 (254)

### VB Switch For Use With VB6 Panelboards

30/30	V7E3611JP	7.5(190)
60/60	V7E3622JP	7.5(190)
100/100	V7E3633JP	7.5(190)
200	V7F3604JP	10(254)
400	V7H3605JP	15(381)
600	V7H3606JP	15(381)

# Sentron® FCI, FCI Switchboards

## Protective Devices - Sentron™ Molded Case Circuit Breakers

General

### Standard

Breakers are designed for commercial, industrial, institutional and other heavy duty applications. They are rated up to 600V ac and 250V dc. Their interrupting ratings are higher than normal duty breakers.

### High Interrupting

Breakers are designed for heavy duty applications where the interrupting requirements exceed the ratings of heavy duty breakers. They are rated up to 600V ac and 250V dc.

### Branch Circuit Breakers

### Current Limiting

Breakers are molded case breakers that incorporate the exclusive I-T-E blow-apart interruption principle. They meet the US-NEC requirements for current-limiting breakers. Current-limiting circuit breakers can limit the let-through  $I^2t$  to a value less than the  $I^2t$  of one-half cycle wave of the symmetrical prospective current without any fusible elements when operating within their current-limiting range.

Breaker Frame Rating	Trip Type	Breaker Type	Poles	Trip Amperage	Mounting Height Inches (mm)			Max IC Rating (kA)			
					Single	Twin	Gutter <sup>3</sup>	240V	480V	600V	
100	Thermal Magnetic	BL	1, 2, 3	15, 20, 25, 30, 40, 50, 60, 70, 80, 90, 100	—	3.75 (95) <sup>2,3</sup>	14 (356)	10	—	—	
		BLH	1, 2, 3	15, 20, 25, 30, 40, 50, 60, 70, 80, 90, 100	—	3.75 (95) <sup>2,3</sup>	14 (356)	22	—	—	
		HBL	1, 2, 3	15, 20, 25, 30, 40, 50, 60, 70, 80, 90, 100	—	3.75 (95) <sup>2,3</sup>	14 (356)	65	—	—	
		BOD6 <sup>4</sup>	1, 2, 3	15, 20, 30, 40, 50, 60, 70	—	3.75 (95) <sup>2,3</sup>	14 (356)	65	—	10	
	Ground Fault Circuit Interrupter	BLE (GFCI)	1, 2	15, 20, 30, 40, 50, 60	—	3.75 (95) <sup>2</sup>	14 (356)	10	—	—	
		BLF (GFCI)	1, 2	15, 20, 30, 40, 50, 60	—	3.75 (95) <sup>2</sup>	14 (356)	10	—	—	
		BLHF (GFCI)	1, 2	15, 20, 30, 40, 50, 60	—	3.75 (95) <sup>2</sup>	14 (356)	22	—	—	
	Arc Fault Circuit Interrupter	BAF (AFCI)	1	15, 20	—	3.75 (95) <sup>2</sup>	14 (356)	10	—	—	
		BAFH (AFCI)	1	15, 20	—	3.75 (95) <sup>2</sup>	14 (356)	22	—	—	
125	Thermal Magnetic	ED2	1, 2, 3	15, 20, 30, 40, 50, 60, 70, 80, 90, 100	3.75 (95) <sup>2,3</sup>	3.75 (95) <sup>2,3</sup>	10 (254)	10	—	—	
		ED4	1, 2, 3	15, 20, 30, 40, 50, 60, 70, 80, 90, 100, 110, 125	3.75 (95) <sup>2,3</sup>	3.75 (95) <sup>2,3</sup>	10 (254)	65	18	—	
		ED6	1, 2, 3	15, 20, 30, 40, 50, 60, 70, 80, 90, 100, 110, 125	3.75 (95) <sup>2,3</sup>	3.75 (95) <sup>2,3</sup>	10 (254)	100	18	18	
		HED4	1, 2, 3	15, 20, 30, 40, 50, 60, 70, 80, 90, 100, 110, 125	3.75 (95) <sup>2,3</sup>	3.75 (95) <sup>2,3</sup>	10 (254)	100	65	30	
		CEDE6	2, 3	15, 20, 30, 40, 50, 60, 70, 80, 90, 100, 110, 125	3.75 (95) <sup>3</sup>	3.75 (95) <sup>3</sup>	7.61 (193)	200	200	100	
		NGB2	1, 2, 3	15, 20, 25, 30, 40, 50, 60, 70, 80, 90, 100, 110, 125	3.75 (95) <sup>2,3</sup>	3.75 (95) <sup>2,3</sup>	13.98 (355)	100	25	14	
		HGB2	1, 2, 3	15, 20, 25, 30, 40, 50, 60, 70, 80, 90, 100, 110, 125	3.75 (95) <sup>2,3</sup>	3.75 (95) <sup>2,3</sup>	13.98 (355)	100	35	22	
		LGB2	1, 2, 3	15, 20, 25, 30, 40, 50, 60, 70, 80, 90, 100, 110, 125	3.75 (95) <sup>2,3</sup>	3.75 (95) <sup>2,3</sup>	13.98 (355)	100	65	25	
		150	Electronic (Solid State)	3VA61 (MDAE)	3	40, 100, 150	5 (127)	5 (127)	9.59 (244)	100	35
3VA61 (HDAE)	3			40, 100, 150	5 (127)	5 (127)	9.59 (244)	100	65	22	
3VA61 (CDAE)	3			40, 100, 150	5 (127)	5 (127)	9.59 (244)	200	100	35	
3VA61 (LDAE)	3			40, 100, 150	5 (127)	5 (127)	9.59 (244)	200	150	50	
225	Thermal Magnetic			QR2	2, 3	100, 110, 125, 150, 175, 200, 225	5 (127)	5 (127)	8.75 (222)	10	—
		QRH2	2, 3	100, 110, 125, 150, 175, 200, 225	5 (127)	5 (127)	8.75 (222)	25	—	—	
		HQR2	2, 3	100, 110, 125, 150, 175, 200, 225	5 (127)	5 (127)	8.75 (222)	65	—	—	
		HQR2H	2, 3	100, 110, 125, 150, 175, 200, 225	5 (127)	5 (127)	8.75 (222)	100	—	—	
250	Thermal Magnetic	FXD6, FD6	2, 3	70, 80, 90, 100, 110, 125, 150, 175, 200, 225, 250	5 (127)	5 (127)	8.25 (210)	65	35	22	
		HFD6	2, 3	70, 80, 90, 100, 110, 125, 150, 175, 200, 225, 250	5 (127)	5 (127)	8.25 (210)	100	65	25	
		CFD6	2, 3	70, 80, 90, 100, 110, 125, 150, 175, 200, 225, 250	—	5 (127)	11.76 (299)	200	200	100	
		3VA52 (MFAS)	2, 3	40, 45, 50, 60, 70, 80, 90, 100, 110, 125, 150, 175, 200, 225, 250	5 (127)	5 (127)	10.10 (257)	85	35	18	
		3VA52 (HFAS)	2, 3	40, 45, 50, 60, 70, 80, 90, 100, 110, 125, 150, 175, 200, 225, 250	5 (127)	5 (127)	10.10 (257)	100	65	25	
		3VA52 (CFAS)	2, 3	40, 45, 50, 60, 70, 80, 90, 100, 110, 125, 150, 175, 200, 225, 250	5 (127)	5 (127)	10.10 (257)	200	100	35	
	Electronic (Solid State)	3VA62 (MFAE)	3	100, 250	5 (127)	5 (127)	9.59 (244)	100	35	18	
		3VA62 (HFAE)	3	100, 250	5 (127)	5 (127)	9.59 (244)	100	65	22	
		3VA62 (CFAE)	3	100, 250	5 (127)	5 (127)	9.59 (244)	200	100	35	
3VA62 (LFAE)	3	100, 250	5 (127)	5 (127)	9.59 (244)	200	150	50			
	400	Thermal Magnetic	JXD6, JD6	2, 3	200, 225, 250, 300, 350, 400	8.75 (222)	8.75 (222)	7.92 (201)	65	35	25
			HJD6	2, 3	200, 225, 250, 300, 350, 400	8.75 (222)	8.75 (222)	7.92 (201)	100	65	35
HHJD6			2, 3	200, 225, 250, 300, 350, 400	8.75 (222)	8.75 (222)	7.92 (201)	200	100	50	
CJD6			2, 3	200, 225, 250, 300, 350, 400	8.75 (222)	—	12 (305)	200	150	100	
Electronic (Solid State)		SJD6	3	200, 300, 400	8.75 (222)	—	13.42 (341)	65	35	25	
	SHJD6	3	200, 300, 400	8.75 (222)	—	13.42 (341)	100	65	35		
	SCJD6	3	200, 300, 400	8.75 (222)	—	12 (305)	200	150	100		
	NJG	3	250, 400	6.25 (159)	6.25 (159)	8 (203)	65	35	25		
	LJG	3	250, 400	6.25 (159)	6.25 (159)	8 (203)	200	100	25		
600	Thermal Magnetic	LXD6	2, 3	450, 500, 600	8.75 (222)	—	13.42 (341)	65	35	25	
		LD6	2, 3	250, 300, 350, 400, 450, 500, 600	8.75 (222)	—	13.42 (341)	65	35	25	
		HLD6	2, 3	250, 300, 350, 400, 450, 500, 600	8.75 (222)	—	13.42 (341)	100	65	35	
		HHL6	2, 3	250, 300, 350, 400, 450, 500, 600	8.75 (222)	—	13.42 (341)	200	100	50	
		CLD6	2, 3	450, 500, 600	8.75 (222)	—	12 (305)	200	150	100	
	Electronic (Solid State)	SLD6	3	300, 400, 500, 600	8.75 (222)	—	13.42 (341)	65	35	25	
SHLD6		3	300, 400, 500, 600	8.75 (222)	—	13.42 (341)	100	65	35		
SCLD6		3	300, 400, 500, 600	8.75 (222)	—	12 (305)	200	150	100		
800	Thermal Magnetic	MXD6	2, 3	500, 600, 700, 800	10 (254)	—	13 (330)	65	50	25	
		MD6	2, 3	500, 600, 700, 800	10 (254)	—	13 (330)	65	50	25	
		HMD6	2, 3	500, 600, 700, 800	10 (254)	—	13 (330)	100	65	50	
		CMD6	2, 3	500, 600, 700, 800	10 (254)	—	13 (330)	200	100	65	
	Electronic (Solid State)	SMD6	3	600, 700, 800	10 (254)	—	12 (305)	65	50	25	
		SHMD6	3	600, 700, 800	10 (254)	—	12 (305)	100	65	50	
SCMD6	3	600, 700, 800	10 (254)	—	12 (305)	200	100	65			
1200	Thermal Magnetic	NXD6	2, 3	800, 900, 1000, 1200	10 (254)	—	13 (330)	65	50	25	
		ND6	2, 3	800, 900, 1000, 1200	10 (254)	—	13 (330)	65	50	25	
		HND6	2, 3	800, 900, 1000, 1200	10 (254)	—	13 (330)	100	65	50	
		CND6	2, 3	800, 900, 1000, 1200	10 (254)	—	13 (330)	200	100	65	
	Electronic (Solid State)	SND6	3	800, 1000, 1200	10 (254)	—	12 (305)	65	50	25	
		SHND6	3	800, 1000, 1200	10 (254)	—	12 (305)	100	65	50	
SCND6	3	800, 1000, 1200	10 (254)	—	12 (305)	200	100	65			

① Space includes housing frame plate with blank cover plate. Provision includes all necessary mounting hardware, less circuit breaker, and includes housing frame cover plate with breaker handle opening.

② 1 to 6 poles may be mounted in 3.75" (95) of unit space  
 ③ Accessories such as shunt trips on three pole breakers require 6.25" (159) of unit space.  
 ④ Also 10kA at 600Y/347 Volts.

⑤ Refer to Table 5 for layout dimensions.

# Sentron® FCI, FCI Switchboards

## Protective Devices - Solid State Sensitrip™ Molded Case Circuit Breakers

General

11 SWITCHBOARDS

### Digital Electronics Allow Shaping of Time Current Curves

For the ultimate in application flexibility, Sentron Series with Sensitrip electronic tripping incorporate solid state capabilities that allow even more precise control of overload current. These breakers actually accept a programmed time current characteristic curve that will meet any protective requirements.

These circuit breakers offer adjustable settings for such functions as continuous current, instantaneous trip points, short-time delay pickup, ground fault pickups and ground fault time delays. That means superior repeatable accuracy, adjustability and precision.

True RMS sensing, the ability to measure the actual shape of the current waveform, ensures that the Sensitrip III line will perform reliably, time and time again. Sensitrip digital circuit breakers have proven performance in using this ability to bring trip/don't trip margins closer than ever before.

A microcomputer in Sensitrip digital circuit breakers senses true RMS current by sampling the current waveform 41.7 times per cycle. It "reads" this data and compares it to what has been pre-programmed into the circuit breaker's operating logic. Once this data is acquired, the microcomputer informs the circuit breaker when to trip.

The true RMS ability of Sensitrip IV helps ensure that nuisance tripping is minimized.

Accuracy of ±5% means a finely tuned electrical protection scheme. Sensitrip IV solid state circuit breakers give precise control for a wide variety of application requirements.

### Accessories for Sentron Series Molded Case Circuit Breakers

- Alarm Switch: for remote indication and/or pilot device operation when breaker is tripped automatically.
- Shunt Trip (electric open-manual close): for remote tripping of breaker. Includes cut-off switch. Specify Control Voltage.
- Undervoltage Trip: automatically trips breaker when voltage is reduced 35%-70% of coil rating. Specify Control Voltage.
- Auxiliary Switch: 1A and 1B, 2A and 2B, etc.
- Telemand motor operator (electric open and close): F-250 Amp, J-400 Amp, L-600 Amp, M-800 Amp, N-1200 Amp. Operating Voltage: 120V ac.
- Ground fault relay (requires shunt trip).

### Sensitrip IV

Frame Size (Amps)	Breaker		Suffix Letter	Maximum Interrupting Capacity (Sym, RMS, Amps)		
	Frame	TYPE		240V AC	480V ac	600V ac
400	SJD6	Standard	LI, LIG, LSI, LSIG	65,000	35,000	25,000
	SHJD6	Hi-1c	LI, LIG, LSI, LSIG	100,000	65,000	35,000
	SCJD6	C.L.	LI, LIG, LSI, LSIG	200,000	150,000	100,000
600	SLD6	Standard	LI, LIG, LSI, LSIG	65,000	35,000	25,000
	SHLD6	Hi-1c	LI, LIG, LSI, LSIG	100,000	65,000	35,000
	SCLD6	C.L.	LI, LIG, LSI, LSIG	200,000	150,000	100,000
800	SMD6	Standard	LI, LIG, LSI, LSIG <sup>Ⓞ</sup>	65,000	50,000	25,000
	SHMD6	Hi-1c	LI, LIG, LSI, LSIG <sup>Ⓞ</sup>	100,000	65,000	50,000
	SCMD6	C.L.	LI, LIG, LSI, LSIG <sup>Ⓞ</sup>	200,000	100,000	65,000
1200	SND6	Standard	LI, LIG, LSI, LSIG <sup>Ⓞ</sup>	65,000	50,000	25,000
	SHND6	Hi-1c	LI, LIG, LSI, LSIG <sup>Ⓞ</sup>	100,000	65,000	50,000
	SCND6	C.L.	LI, LIG, LSI, LSIG <sup>Ⓞ</sup>	200,000	100,000	65,000

Suffix Letter Code	Continuous Current Adjustment (standard)	Long Time Delay (standard)	Adjustable Instantaneous Setting	Short Time Pick-Up	Short Time Delay	Short Time I <sup>2</sup> T Pick-Up	Ground Fault Pick-Up	Ground Fault Delay
LI	X	X	X	-	-	-	-	-
LIG	X	X	X	-	-	-	X	X
LSI	X	X	X	X	X	X	-	-
LSIG	X	X	X	X	X	X	X	X

Frame Size (Amps)	Sensor Rating (In)	Long Time (I <sub>R</sub> )		Instantaneous		Short Time		Ground Fault	
		Pick-up I <sub>R</sub> = % x I <sub>N</sub>	Delay Sec. select 6 x I <sub>R</sub>	Pick up x I <sub>N</sub>	Pick up x I <sub>R</sub>	Delay Sec.		Pick up I <sub>R</sub> = % x I <sub>N</sub>	Delay Sec. I <sup>2</sup> T
						Stnd	I <sup>2</sup> T		
400	200	.20, .30	3, 25	1, 2, 3, 4, 5, 6, 7, 8, 9, 10	2, 4, 7, 10	.05	.05	.20, .25, .30	.1
	300	.40, .50				.10	at 6 x I <sub>R</sub>	.40, .55, .70	.2
	400	.65, .80, .90, 1.00				.20	I <sub>R</sub>		.4 at .7 x I <sub>G</sub>
600	300	.20, .30	3, 25	1, 2, 3, 4, 5, 6, 7, 8, 9, 10	2, 4, 7, 10	.05	.05	.20, .25, .30	.1
	400	.40, .50				.10	at 6 x I <sub>R</sub>	.40, .55, .70	.2
	500	.65, .80, .90, 1.00				.20	I <sub>R</sub>		.4 at .7 x I <sub>G</sub>
800	600	.20, .25	2.2, 4	1, 2, 3, 4, 5, 6, 7, 8, 9, 10	2, 3, 4, 5, 6, 7, 8, 9, 10, off	.05	.18	.20, .25, .30	.1
	700	.30, .40	7, 12			.10	.22	.40, .55, .70	.2
	800	.50, .65, .70, .80, .90, 1.00	22, 27			.20	.28		.4 at .7 x I <sub>G</sub>
1200	800	.20, .25	2.2, 4, 7	1, 2, 3, 4, 5, 6, 7, 8, 9, 10	2, 3, 4, 5, 6, 7, 8, 9, 10, off	.05	.18	.20, .25, .30	.1
	1000	.30, .40	12			.10	.22	.40, .55, .70	.2
	1200	.50, .65, .70, .80, .90, 1.00	22, 27			.20	.28		.4 at .7 x I <sub>G</sub>

Ⓞ For 100% rated circuit breaker, add the suffix "H" to the catalogue number.

# Sentron® FCI, FCI Switchboards

## Protective Devices - Fusible Switches

General

### VK and VB (Vacu-Break) Fusible Switches

All VK and Vacu-Break fusible switches include voidable cover interlock; quick-make, quick-break operation; positive ON-OFF action; padlockable (at ON or OFF) handle design; Vacu-Break arc control (i.e., enclosed arc chamber, double-break magnetic arc blowout); clampmatic pressure spring force on closed contacts; spring-reinforced fuse holders. The VK switch is a true visible contact design.

Accessory devices and modifications available for 250-volt switches (30 amps to 600 amps): Class R and class J rejection type fuse holders are available for all units. For 600-volt switches (30 amps to 600 amps): Class R rejection type fuse holders, Class J fuse holders; (100 amps to 600 amps) Class T fuse holders.

### Bolted Pressure Switches

These switches are suitable for use on systems capable of delivering fault current up to 200,000 amps symmetrical RMS when equipped with Class L fuses. All bolted pressure switches include fuse door interlock; quick-make, quick-break operation; bolted pressure force on closed contact; padlockable (in the "open" position only) handle.

Accessories and modifications available: shunt trip (electrical open-manual close). 120V ac standard control voltage: electrical operator (electrical open and close), specify system voltage; ground fault relay (requires shunt trip); blown fuse trip (switch opens when any one fuse blows-requires shunt trip); blown fuse indicating lights; phase failure relay with capacitor trip (detects failure of any one phase and opens switch-requires shunt trip) specify system voltage; auxiliary contacts.

### CSA Fuse Classes

Class	Amperes	Volts (AC)	Interrupting Ratings	$I^2t, I_p$ (Let-Thru)	Circuits
H	Standard Code	1-600A	250 and 600V or less	10,000A	Less than 10,000A available
K <sup>Ⓞ</sup>	Fast Acting (One time)	1-600A	250 and 600V or less	50,000A	Feeder circuits
J	Fast Acting and Time Delay	1-600A	600V or less	To 200,000A	$I_p$ and $I^2t$ -Low (motor load small %) Feeder circuits Motor circuits
RK1	Fast Acting and Time Delay	1/10-600A	600V or less 250V or less	To 200,000A	$I^2t$ -Slightly > J $I_p$ -Slightly > J Feeder circuits Motor circuits
RK5	Fast Acting and Time Delay	1/10-600A	600V or less 250V or less	To 200,000A	$I^2t$ > RK-1 $I_p$ > RK-1 Feeder circuits Motor circuits
C (FORM II)	Moderate Delay	2-600A	600V or less	To 200,000A	$I^2t$ < RK-5 $I_p$ < RK-5 Motor circuits
T	Fast Acting	1-600A	300 and 600V or less	To 200,000A	$I^2t$ -Low $I_p$ -Low Non-motor loads
L	Fast Acting and Time Delay	601-5000A	600V or less	To 200,000A $I_p$ -Low	$I^2t$ -Low motor loads Feeder circuits Motor circuits

### Branch Switches 600V Maximum

Switch Type	Ampere Rating	Maximum Voltage	Fusing
VB/VK	30 / 30A	600V	Class J
VB/VK	60 / 60A		
VB/VK	100 / 100A		
VB	200A		
VK	200 / 200A		
VB	400A, 600A		

Ⓞ Refer to Siemens for Form II Class C applications.

### Interrupting Ratings of Bolted Pressure Switches

Max. System Voltage	Ampere Rating	Class L Fuse Rating (Amps)	Fuse Interrupting Rating (Sym. RMS Amps)
240 to 600	800	601, 700, 800	200,000
	1200	1000, 1200	
	1600	1500, 1600	
	2000	1800, 2000	
	2500	2500	
3000	4000	3000	3500, 4000
	4000	3500, 4000	

Application Note: Lower rated fuses may be installed within any switch rating i.e.: 2000-amp fuse in 4000-amp switch.

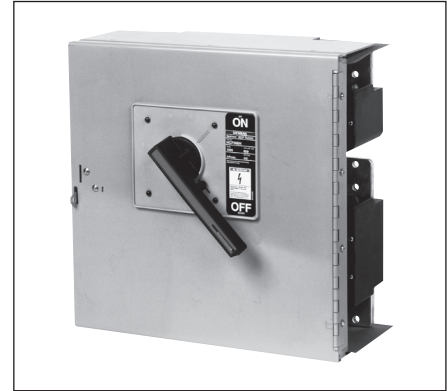
# Sentron® FCI, FCII Switchboards

## Protective Devices - HCP Switchboard Unit Disconnect Switches

General

### Features

- CSA Certified / UL Listed under file number E6849
- 800A-1200A switch design.
- Visible contacts.
- Field installable shunt trip and auxiliary switch accessory kits.
- Installs in existing Siemens switchboards and power panelboards.
- Suitable for use on systems with up to 200,000A available fault current, RMS symmetrical when equipped with Class J or Class L fuses.
- Mixes with other 30A through 600A switches, and 100 through 1200 amp frame breakers.
- Allows 800A and 1200A switches in standard 38" wide distribution sections in either main or branch configurations.
- 16¼" mounting height is the smallest 1200A design in the industry, allowing up to 4 units in one vertical section.
- Field reversible horizontal mounting design for left or right hand cabling.



11 SWITCHBOARDS

### 3-Pole, Horizontal Mount<sup>①</sup>

Catalogue Number	Maximum Ampere Rating	Maximum Voltage Rating	Fuse Class	Dimensions (inches)			Horsepower Rating							
							240V		480V		600V		250V DC	
				H	L	D	Std	Max	Std	Max	Std	Max		
HCP327HT	800	240	T	16.25	17.22	7.38	100	250	—	—	—	—	50	
HCP367H	800	600	L	16.25	17.22	7.38	100	250	200	500	250	500	50	
HCP328HT	1200	240	T	16.25	17.22	7.38	100	250	—	—	—	—	50	
HCP368H	1200	600	L	16.25	17.22	7.38	100	250	200	500	250	500	50	

### 3-Pole, Vertical Mount

HCP327VT	800	240	T	17.00	16.25	7.38	100	250	—	—	—	—	50
HCP367V	800	600	L	17.00	16.25	7.38	100	250	200	500	250	500	50
HCP328VT	1200	240	T	17.00	16.25	7.38	100	250	—	—	—	—	50
HCP368V	1200	600	L	17.00	16.25	7.38	100	250	200	500	250	500	50

### Accessories

#### Terminal Connectors (one lug per kit)<sup>②</sup>

Ampere Rating	Catalogue Number	Connector Wire Range
800A	TA3K500	(3) #1 AWG–500 kcmil (Cu or Al)
800A	TC3K350	(3) #1 AWG–350 kcmil (Cu only)
800-1200A	TA4H500	(4) #1 AWG–500 kcmil (Cu or Al)
800-1200A	TA3H750	(3) 250–750 kcmil (Cu or Al)

#### T Fuse Adapter Kits

Catalogue Number	Description
TFAK72	800A, 300V AC
TFAK75	800A, 600V AC
TFAK82	1200A, 300V AC

#### Auxiliary Switch Kits

Contact Ampere Rating	Maximum Voltage		Switch Mounting	Contacts	Catalogue Number
	AC	DC			
15A	480	125	Left Pole	1NO/1NC	A01HCPL4
15A	480	125	Right Pole	1NO/1NC	A01HCPR4
10A	240	125	Left Pole	2NO/2NC	A01HCPL2

#### Shunt Trip Kit

Control Voltage		Catalogue Number
AC	DC	
120	—	HCPST120
240	—	HCPST240
277	—	HCPST277
480	—	HCPST480
—	48	HCPST48
—	125	HCPST125

#### Switchboard Connection Strap Kit<sup>①</sup>

Switch Ampere Rating	Catalogue Number
800–1200A	F6162DCAN

#### Compression Lug Adapter Kit

The use of this kit provides for the mounting of up to four lugs per phase. Each kit accepts lugs with (2) 3/8" diameter mounting holes on 1" centres. One kit per pole line or load is required. Lugs are not provided.

Ampere Rating	Catalogue Number
800–1200A	HCPCLP

For inches / millimeters conversion, see Technical Section.

① For horizontal mounting only in either 38" wide min switchboards or S5/F2 power panelboards.

② 3 kits required for 3 phase switch

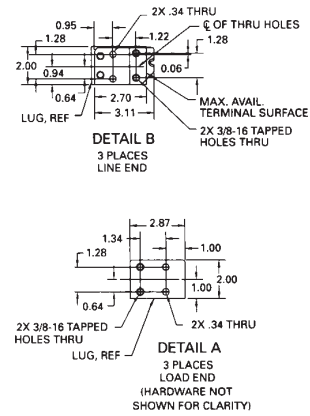
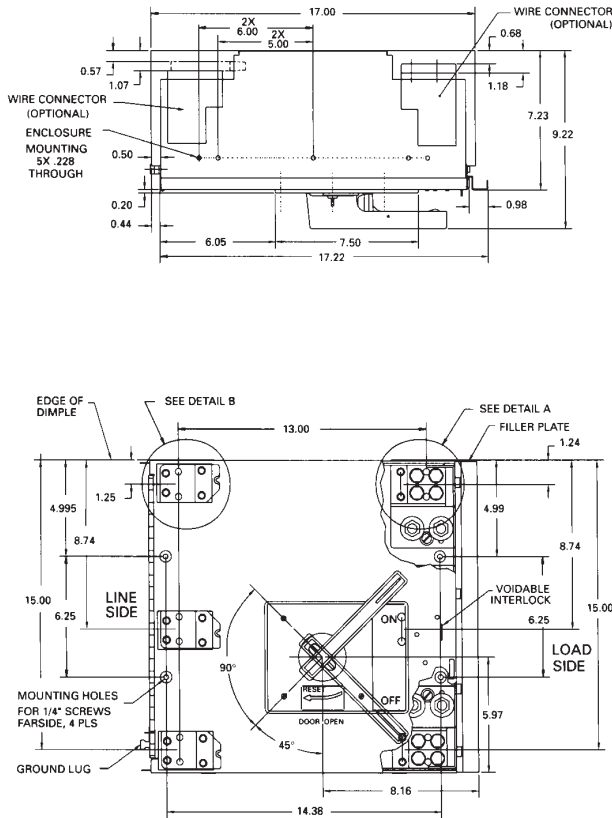


# Panelboards

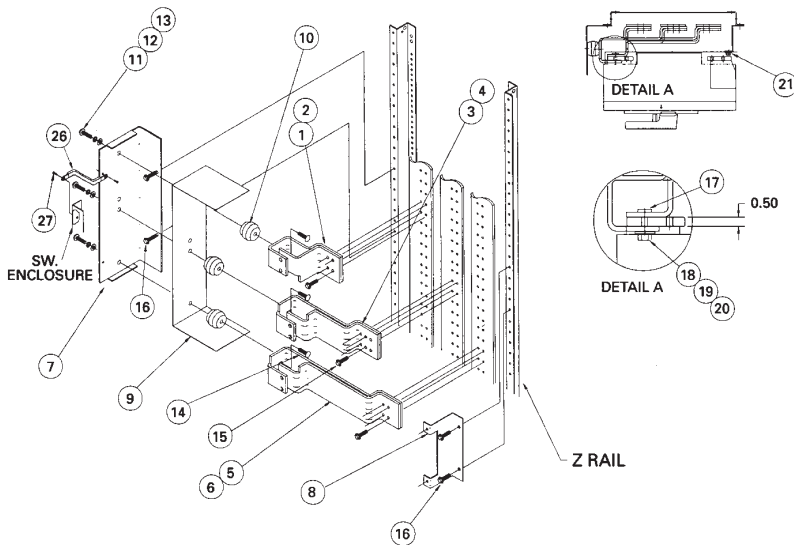
## Type HCP Switchboard Units

Dimensions

### Horizontal Mount Drawing



### Group Mounting Assembly (Horizontal Mount Only)



Note: Right exit shown, rotate 180° for left exit  
 Note: Items 26 & 27 are used to ground the switch enclosure (Route bonding wire along flange)

Item	Parts Supplied in Connection Strap Kit Cat. No. F6162D	Qty.
1-2	A/C Ø Strap (Short)	1ea.
3-4	B Ø Strap	1ea.
5-6	A/C Ø Strap (Long)	1ea.
7-8	Switch Mounting Bracket	1ea.
9	Insulation	1
10	1-3/8" Insulator	3
11	3/8-16 X 3/4" HHMS	3
12	3/8" Lock Washer	3
13	3/8" Flat Washer	3
14	3/8-16 X 3/4" RHSNB	3
15	Strap Bus Hardware Kit	2
16	1/4-28 X 3/8" SHWHSW	4
17	5/16-18 Insert	6
18	5/16-18 X 1" SRHMS	6
19	5/16 Flat Washer	6
20	5/16 Lock Washer	6
21	1/4-20 X 1" SRHMS	2
26	Ground Bracket	1
27	10-32 X 1/4" SHWHSW	2

# Sentron® FCI, FCII Switchboards

## Metering Data

*Selection*

### User Metering

A full complement of switchboard instruments with appropriate current transformers, potential transformers and selector switches are available in all Siemens switchboards.

The meters and instrument switches are mounted on hinged panels with potential transformers and fuses located behind the door. Current transformers are mounted on the main bus or, in the case of branch feeder metering, at the load terminals of the branch protective device and normally do not require additional unit space.

### Siemens Digital Power Meters

The Siemens Digital Power Meters are provided as an option for FCI & FCII switchboards. Please refer to the Power Monitoring Section in this catalogue for more information.

### Ammeters and Voltmeters (Analog)

Ammeters are switchboard type with  $\pm 1\%$  accuracy, 0 to 6000 amperes maximum. The included instrument switch will provide positions to read each phase and will include an OFF position. Panel type ammeters with  $\pm 3\%$  accuracy, 800 ampere maximum, can be furnished for branch feeder metering to conserve panel space.

Voltmeters are switchboard type with  $\pm 1\%$  accuracy, 0 to 600V AC. The included instrument switch provides positions to read each phase-to-phase voltage and each phase-to-neutral voltage and has an OFF position.

### Current Transformers / Potential Transformers

Potential transformers are recommended wherever the system voltage exceeds 150 volts AC phase-to-neutral to lower voltage levels for instrument switches and meters mounted on the switchboard front panel.

### Available CT Ratios — Ampere Rating

100:5	600:5	2500:5
150:5	800:5	3000:5
200:5	1000:5	4000:5
300:5	1200:5	5000:5
400:5	1500:5	6000:5
500:5	2000:5	

### Number of CT's and or PT's required for Typical Meters Applied on Selected System Voltages

System	Volts AC	Ammeter			Voltmeter			Wattmeter						Power Factor Meter		Frequency Meter	Synchroscope	
		C/T	P/T	Scale	2 Element		2.5 Element		3 Element		Wattmeter		Varmeter		C/T	P/T	PT	P/T
1Ø3W	120/240	2	–	0-300	2	–	–	–	–	–	2	–	2	–	1	–	–	–
3Ø3W	240	2	–	0-300	2	–	–	–	–	–	2	2	2	2	1	2	–	2
	600	2	2	0-750	2	2	–	–	–	–	2	2	2	2	1	2	1	2
3Ø4W	120/240	3	–	0-300	–	–	3	–	–	–	3	2	3	2	1	2	–	–
	120/208	3	–	0-300	–	–	3	–	3	–	3	–	3	–	1	2	–	–
	347/600	3	3	0-750	–	–	3	2	3	3	3	2	3	2	1	2	1	2



# Integrated Power Systems Switchboards

General

## Type IPS

### Product Description

Siemens integrated power systems (IPS) switchboards integrate multiple pieces of electrical distribution equipment into a single assembly. The design results in reduced installation time, a reduced footprint and reduced labour risk for installation.

The modular design of the IPS switchboard allows it to be combined with standard service entrance or distribution switchboards if needed. Also, the IPS switchboard can be added to an existing switchboard lineup.

IPS switchboards have a wide range of applications and are commonly used in retail stores, offices, health care facilities and retrofits.

### Features & Benefits

#### Features

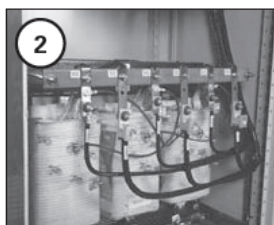
- All standard FCI, FCII & SMP Switchboard features
- Lighting panelboards
- Distribution transformers
- Half high distribution switchboard chassis
- Individually mounted breakers (cable in & cable out)
- Auxiliary sections for surge devices, ACCESS power monitoring, contactors, relays, time clocks
- Customer equipment, etc.

## Integrated Power Systems Switchboard Commonly Mounted Equipment



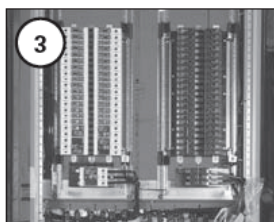
#### Distribution sections

- Up to 2000A (full height)
- Up to 1200A (half height)



#### Transformers

- Up to 300kVA (full height)
- Up to 112.5kVA (half height)



#### Panelboards

- P1 up to 250A
- P2 up to 600A



# Integrated Power Systems Switchboards

## Type IPS

General

### Features & Benefits (continued)

#### Reduced Installation Time

IPS switchboards arrive at a jobsite with the components factory installed and wired. The result is significantly reduced installation time. The realized savings on installation result in lower labour costs which drops directly to the bottom line.

#### Reduced Space Requirements

By integrating components that are typically individually mounted, the IPS switchboard can reduce the space requirements for typical electrical equipment installation by up to 40%. This smaller footprint frees up valuable square footage that can be utilized by the building owner for other profitable uses.

#### Reduced Installation Risk.

IPS switchboards are assembled at Siemens manufacturing plants with meticulous attention to details reinforced with strict testing procedures. This focus on quality ensures that problems encountered with traditional installations such as misinterpretation of drawings or field installation errors are eliminated. Utilizing IPS switchboards eliminates risks, enabling projects to come in on time and on budget.

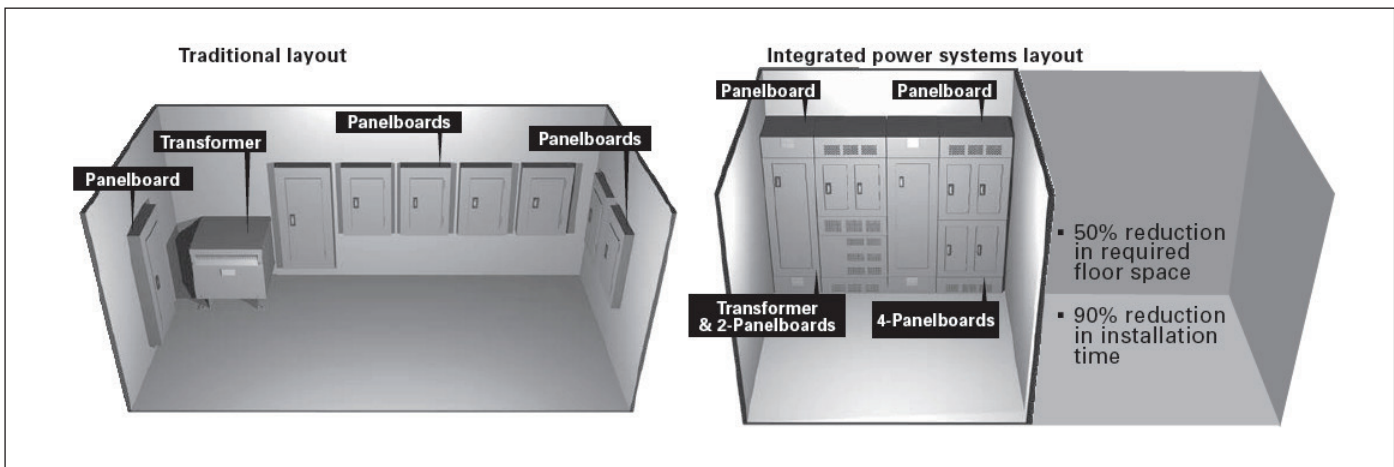
### Standards and Certifications

- CSA C22.2 No.31
- Mounted panelboards built to UL67, NEMA PB-1 and CSA C22.2 No. 29
- Other equipment is CSA listed as applicable

### Additional Information

**For complete application and pricing information contact your local Siemens sales office.**

## Integrated Power Systems Switchboard Optimized Electrical Room Layout



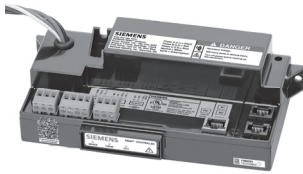
# Embedded Micro Metering Module™

General

## SEM3 System configured in Distribution Panels and Switchboards

The information below pertains to panelboard types S5 and switchboard types SMP, FCI, and FCII. SEM3 specifics to S5, SMP, FCI, and FCII are:

### SEM3 for use in Siemens Switchboards



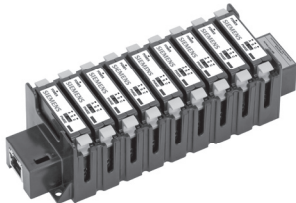
#### Controller

SEM3 controller is mounted in a low voltage compartment. Each controller can monitor up to 45 circuits. Applications that require monitoring more than 45 circuits will require additional controllers.



#### Current Transformers (CTs)

Six sizes of CTs are available for use in S5, SMP, FCI and FCII applications: 50, 125, 250, 400, 600, and 1200 amp. All CTs are pre-mounted to a support bracket that attaches to the interior. Each bracket supports a maximum of 3 CTs and is designed for the breaker selected (brackets are not interchangeable between breaker frames). Each CT will be attached to a data module that is placed in the meter racks.



#### Meter Racks

All meter racks will be installed next to the SEM3 controller in unit space. The 21 space meter rack is used as a default option where possible.

**NOTE:** Monitoring of 45 circuits will require two 21 position racks and one 3 position rack

#### Other Considerations

**Configuration:** Data modules from CTs monitoring a circuit breaker must be mounted adjacent to one another in the meter rack. Any field changes to the factory configuration must take this into account.

**Start-up & Commissioning:** Siemens can provide these services. Contact your local SIEMENS Sales office for more details.



## Contents

<b>Low-voltage Switchgear</b>	12-2 – 12-46
Standard WL Low-voltage Switchgear	12-2 – 12-3
Construction Details	12-3 – 12-5
WL Circuit Breakers	12-6 – 12-8
Electronic Tripping Units	12-7 – 12-9
Technical Information	12-10 – 12-21
Section Configuration/Dimensions	12-23 – 12-30
Sm@rtGear WL Low-voltage Switchgear	12-31 – 12-32
Marine WL Low-voltage Switchgear	12-33
Arc Resistant WL Low-voltage Switchgear	12-34 – 12-36
Arc Flash Solutions	12-37 – 12-42
Secondary Unit Substations	12-43 – 12-45

# Low-voltage Switchgear

## Type WL Low-voltage Metal-Enclosed Switchgear

General

### Type WL Low-voltage Metal-Enclosed Switchgear

Siemens Type WL low-voltage metal-enclosed switchgear is designed, constructed and tested to provide superior power distribution, power monitoring and control. At the heart of the Type WL low-voltage switchgear is the World Class Siemens WL breaker.

Siemens Type WL low-voltage switchgear can be utilized in the following applications:

- **Industrial**
  - Semiconductor
  - Petrochemical
  - Automotive
  - Biotech
  - Pharmaceutical
- **Institutional**
  - Water treatment
  - Airports
  - Universities
  - Medical facilities
  - Correctional facilities
- **Critical power**
  - Data Processing
  - Continuous industrial process
  - Hospitals
- **Utility and co-generation**
- **Commercial**
  - Large office buildings
  - Distribution centres
  - Large warehouses

#### Product Scope:

- Equipment ratings
  - 635VAC Maximum
  - 3 Phase 3 Wire,
  - 3 Phase 4 Wire
  - 50/60 Hz
  - 6000 amp maximum horizontal bus
  - 6000 amp maximum vertical bus
- Enclosure options
  - NEMA 1 Indoor
  - NEMA 3R Outdoor Walk-In
  - NEMA 3R Outdoor Non Walk-in

Siemens WL breakers can be manually or electrically operated, fused or unfused and are available in the following rating designations – N, S, H, L, M and F. Refer to tables on Page 13 for interrupt and withstand ratings for each rating designation.

#### Industry Standards

Type WL switchgear with power circuit breakers are designed, tested and constructed in accordance with:

- UL 1558 — Metal-Enclosed Low-voltage Power Circuit Breaker Switchgear



Type WL Low-voltage Metal-Enclosed Switchgear

- CSA C22.2 No. 31 - Switchgear Assemblies
  - ANSI C37.20.1 — Metal-Enclosed Low-voltage Power Circuit Breaker Switchgear
  - ANSI C37.50 — Test Procedure for Low-voltage AC Power Circuit Breakers Used in Enclosures
  - ANSI C37.51 — Conformance Testing of Metal-Enclosed Low-voltage AC Power Circuit Breaker Switchgear Assemblies
  - NEMA SG5 - Power Switchgear Assemblies
  - Applicable requirements of the National Electric Code (NEC)
- WL drawout circuit breakers are in accordance with:
- UL 1066 — Low-voltage AC and DC Power Circuit Breakers Used in Enclosures
  - ANSI C37.13 — Low-voltage AC Power Circuit Breakers Used in Enclosures
  - ANSI C37.16 — Preferred Ratings, Related Requirements, and Application for Low-voltage Power Circuit Breakers and AC Power Circuit Protectors
  - ANSI C37.17 — Trip Devices for AC and General Purpose DC Low-voltage Power Circuit Breakers
  - NEMA SG3 - Low-voltage Power Circuit Breakers

Features and modifications required by NEC are incorporated when the assembly is designated as "Service Equipment."

#### UL Listing

Underwriters' Laboratories listing mark (UL) is supplied for each vertical section provided all devices within a vertical section are UL Listed or UL Recognized and suitable for the intended use. All circuit breaker drawout elements are UL Listed.

Optional CSA compliance with cUL labeling is available.

#### Arc Resistant

Optional Type WL arc resistant low-voltage switchgear is available and is UL listed to ANSI/IEEE C37.20.7. Type 2B arc resistant accessibility rating with maximum internal arcing short-circuit current rating of 100kA @508V and 85kA @ 635V.

#### Seismic Qualification

Seismic qualification to all major seismic construction standards (IBC, UBC, CBC, SBC, BOCA and IEEE 693) is available.



# Low-voltage Switchgear

## Type WL Low-voltage Metal-Enclosed Switchgear

### General

The Siemens Type WL switchgear assembly consists of one or more metal-enclosed vertical sections. The end sections are designed to allow installation of future sections.

Each vertical section consists of up to four individually enclosed breaker or auxiliary compartments which are sized to provide uniform height.

Included in each assembly are various components such as circuit breakers, instrumentation and control equipment, transformers, relays, three-phase bus work, and all internal wiring, connectors, and other supporting equipment.

In accordance with ANSI C37.20.1, the maximum temperature for parts that are handled is 50°C. The main bus maximum temperature rise is 65°C above 40°C ambient. The temperature rise of the air surrounding the cable connection points is limited to 45°C above 40°C ambient.

### Finish

During construction, the structural steel parts, panels, and compartments are all prepared for painting by a five-stage wash system.

Standard finish colour is light gray ANSI 61. The standard painting process is a UL approved electrostatic powder coat paint system utilizing a polyester powder coat paint. The completed finish has a nominal 2 mils dry film thickness.

### Assembly Construction

Siemens Type WL metal-enclosed low voltage switchgear is constructed of a rigid internal frame structure that minimizes the possibility of damage during shipment and supports multiple installation methods – rolling or lifting. Lifting eyes are integrated into the internal frame design and ensure the structural integrity of the lifting assembly is always adequate for the weight of the total structure.

If requested in advance, the switchgear structure can be shipped so that the unit can be tilted onto its back during installation. This is an option that must be specified at order entry.

## Construction Details

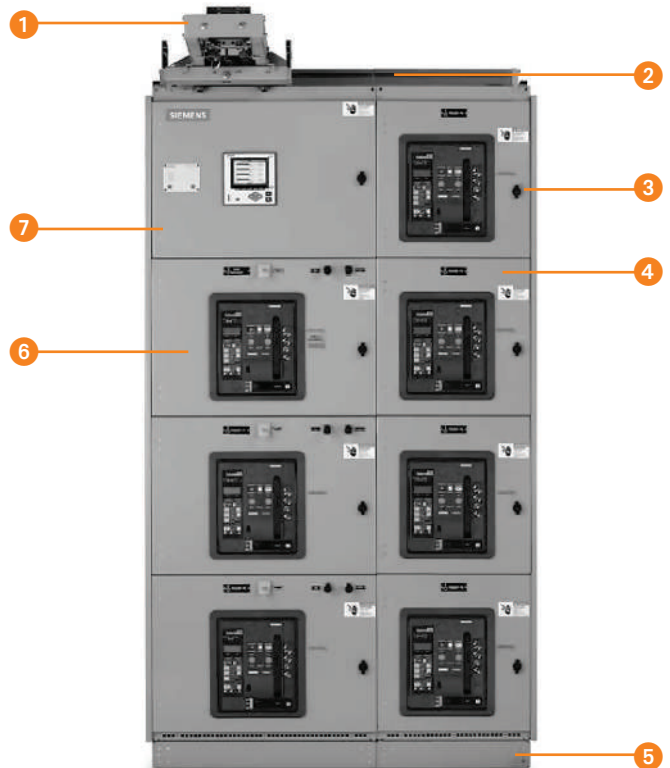
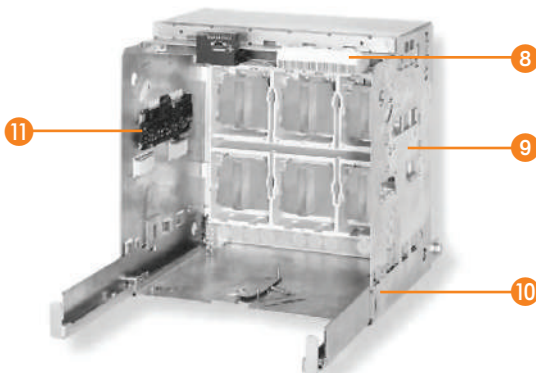
Each complete vertical section contains three compartments.

- (1) Front compartment containing breakers and/or auxiliary equipment
- (2) Bus compartment containing horizontal and vertical bus
- (3) Rear cable compartment containing the load side runbacks connecting the load side of the breaker to the load cable terminals

Within the front compartment, each breaker is barriered and compartmented from all other breakers in the front compartment. This design also isolates the breakers in the front compartment from the bus compartment.

Optional barriers can be supplied to isolate the bus compartment from the rear cable compartment. Other optional barriers include: (1) Full depth section barriers to isolate one section from the adjacent section(s). (2) Barriers to isolate the incoming line side connections to the main breaker(s) from the load side bus and connections in the switchgear section. (Line/load barriers are provided as a standard feature for service equipment main breakers.)

- 1 Breaker Hoist and Track
- 2 Ventilation and Lifting Structure
- 3 Quarter Turn Door Latch
- 4 Secondary Disconnect Access Door
- 5 Channel Sill Base (Optional)
- 6 Breaker Compartment
- 7 Auxiliary Instrument Compartment
- 8 Secondary Disconnect
- 9 Breaker Cradle (Guide Frame)
- 10 Breaker Drawout Rail
- 11 TOC Switch Operator



# Low-voltage Switchgear

## Type WL Low-voltage Metal-Enclosed Switchgear

### Construction Details

#### Main and Ground Bus

The standard main bus is silver-plated copper. Tin-plated copper bus is optionally available. Vertical and horizontal bus bar utilize a channel shape design to maximize short circuit withstand capability and minimize heat rise. All bus joints include Grade 5 bolts and conical spring washers. Provisions for future extension of the main bus include plated joints and high tensile strength steel hardware.

The main three-phase horizontal bus is arranged vertically one phase above the other with edge-to-edge alignment to provide high, short circuit strength. Insulated main bus with isolated vertical bus is optional.

Vertical bus ratings available are 1600, 2000, 3200, 4000, 5000 and 6000 amperes continuous current. Horizontal bus ratings available are 1600, 2000, 3200, 4000, 5000 and 6000 amperes. A neutral bus is furnished when specified, and can be rated 1600, 2000, 3200, 4000, 5000 or 6000 amperes continuous current.

A 1/4" X 3" standard copper ground bus extends through all sections. Cable lugs are mounted to the ground bus in each section.

Standard short-circuit withstand (4 cycle) and short-time withstand (60 cycle) bus bracing is 100,000 amperes. Higher short-circuit withstand bus bracings (150kA and 200kA) are available. Load side runbacks for feeder circuits are copper construction, are insulated with sleeve tubing in the main bus area, and are supported by high-strength bus bracing.

#### Control and Communication Wiring

Standard control and communication wiring is #14 AWG extra-flexible, stranded copper type SIS. Control and communication wiring is installed and accessed from the front of the switchgear structure. Each breaker compartment has a dedicated horizontal and vertical wireway.

For devices not having screw-type terminals, pressure terminals are used.

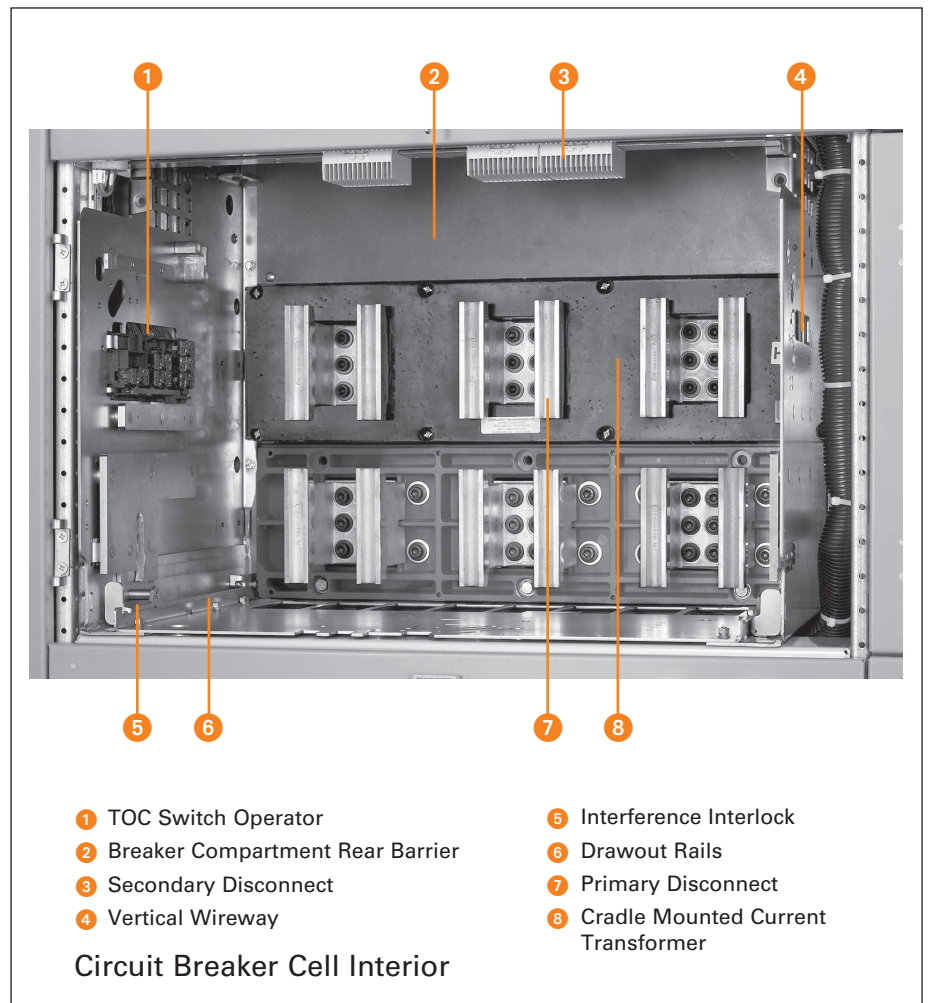
#### Insulation

The insulation used is a UL recognized thermoset material that has excellent heat resistance, flame retardance, dimensional stability and low moisture absorption.

#### Circuit Breaker Compartments

Typical circuit breaker compartments include primary disconnects, drawout rails, secondary disconnects, vertical wireway, horizontal wireway and, if applicable, TOC switch operator, MOC switch operator and associated interlocks. Draw-out rails allow the breaker to be withdrawn from the compartment without additional extensions or adapters. Up to six (2 sets of three) current transformers for metering or relaying can be mounted in each compartment.

A variety of auxiliary devices such as breaker control switches, indicating lights and pushbuttons can be mounted on the breaker compartment door.





# Low-voltage Switchgear

## Type WL Low-voltage Metal-Enclosed Switchgear

## Construction Details

### Options

#### Switchgear Mounted Hoist

The integrally mounted hoist, standard on walk-in outdoor and optional on indoor switchgear enclosures, travels along rails on top of the switchgear to assist in breaker handling.

#### TOC and MOC Switches

The Truck Operated Cell (TOC) Switch provides interlocking control or remote indication of the breaker racking position. The cubicle mounted auxiliary switch or Mechanism Operated Cell (MOC) switch provides interlocking control or remote indication based on the main contact position (open or closed).

#### Shutters

These provide protection against accidental contact with primary disconnects in a compartment when the breaker is removed. Shutters automatically close when the breaker is withdrawn and are pad-lockable and field installable.

#### Key Interlock

This provides a mechanical means for operating circuit breakers and other devices only when prescribed conditions are met.

#### Test Set

A portable breaker test set is available as an option and supports testing the full range of functions and protective settings supplied with the breaker trip unit.

#### Metering and Auxiliary Compartments

Compartments are available to house devices such as voltage transformers, metering, control power transformers, and supervisory devices.

#### Instrument and Control Transformers

Voltage transformers and control power transformers are mounted in auxiliary compartments. These transformers are protected by primary pull-out type current-limiting fuses and secondary fuses. Current transformers are normally mounted on the compartment primary disconnect studs where they are readily accessible.

### Miscellaneous

- Each switchgear lineup includes a breaker lifting device that is adjustable for use with Size II and Size III breakers.
- An optional portable breaker hoist is available if the integrated breaker hoist and track is not specified.
- A test cabinet is also available as an option. The test cabinet is wall mounted necessary equipment for testing electrically-operated breakers that have been removed from the breaker compartment. The test cabinet doesn't include or replace a breaker trip unit tester.
- A WL remote breaker racking device (RBRD) is available as an optional accessory that allows maintenance personnel to safely rack Siemens Type WL breakers into the Connect, Test and Disconnect positions from up to 30 feet away from the breaker. This allows the operator to be outside the arc flash hazard boundary and thereby providing additional personnel protection.
- 4" high formed steel channel sills are available for indoor switchgear enclosures.

### Outdoor Switchgear

Type WL switchgear is available in two outdoor (NEMA 3R) enclosures. Walk-in and non walk-in versions are available to meet your particular application.

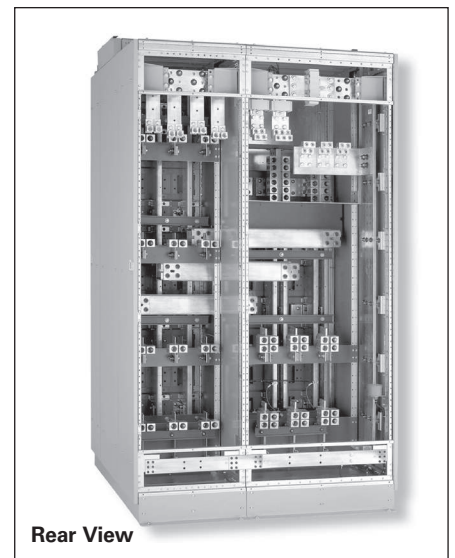
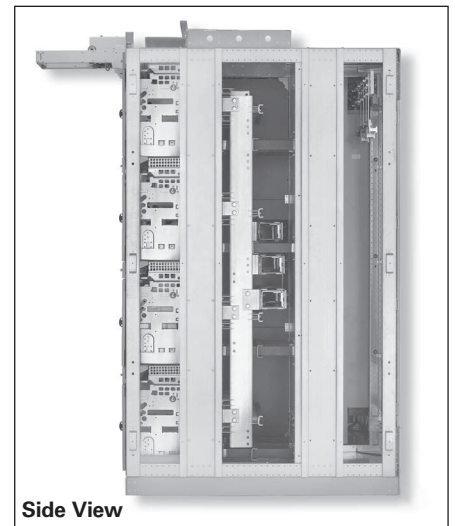
For protection from snow, rain and other foreign matter, both outdoor enclosures rest on a six-inch high, formed steel base which provides rigid support and a tight bottom seal. A heavy duty protective under-coating is applied to the underside of all outdoor enclosures to protect against moisture and corrosion. Shielded ventilation housings permit proper air circulation while excluding dirt and foreign matter.

In the walk-in outdoor enclosure a lighted, unobstructed service aisle is provided at the front of the switchgear allowing inspection and maintenance without exposure to the elements. An access door equipped with an emergency bar release is located at each end of the aisle.

The following features are standard with walk-in outdoor enclosures.

- (1) Space heaters in breaker compartment and bus compartment.
- (2) Screens and filters for exterior door ventilation louvers.
- (3) Incandescent lighting receptacle with three-way switch at each aisle access door.
- (4) Duplex receptacle with ground fault protection at each aisle access door.
- (5) Loadcentre for power distribution to lights, receptacles, switches and heaters.

For non walk-in outdoor enclosures, space heaters and screens/filters for ventilation louvering are standard with lighting, receptacles, switches and loadcentres offered as options.



# Low-voltage Switchgear

## Type WL Low-voltage Metal-Enclosed Switchgear—WL Circuit Breakers

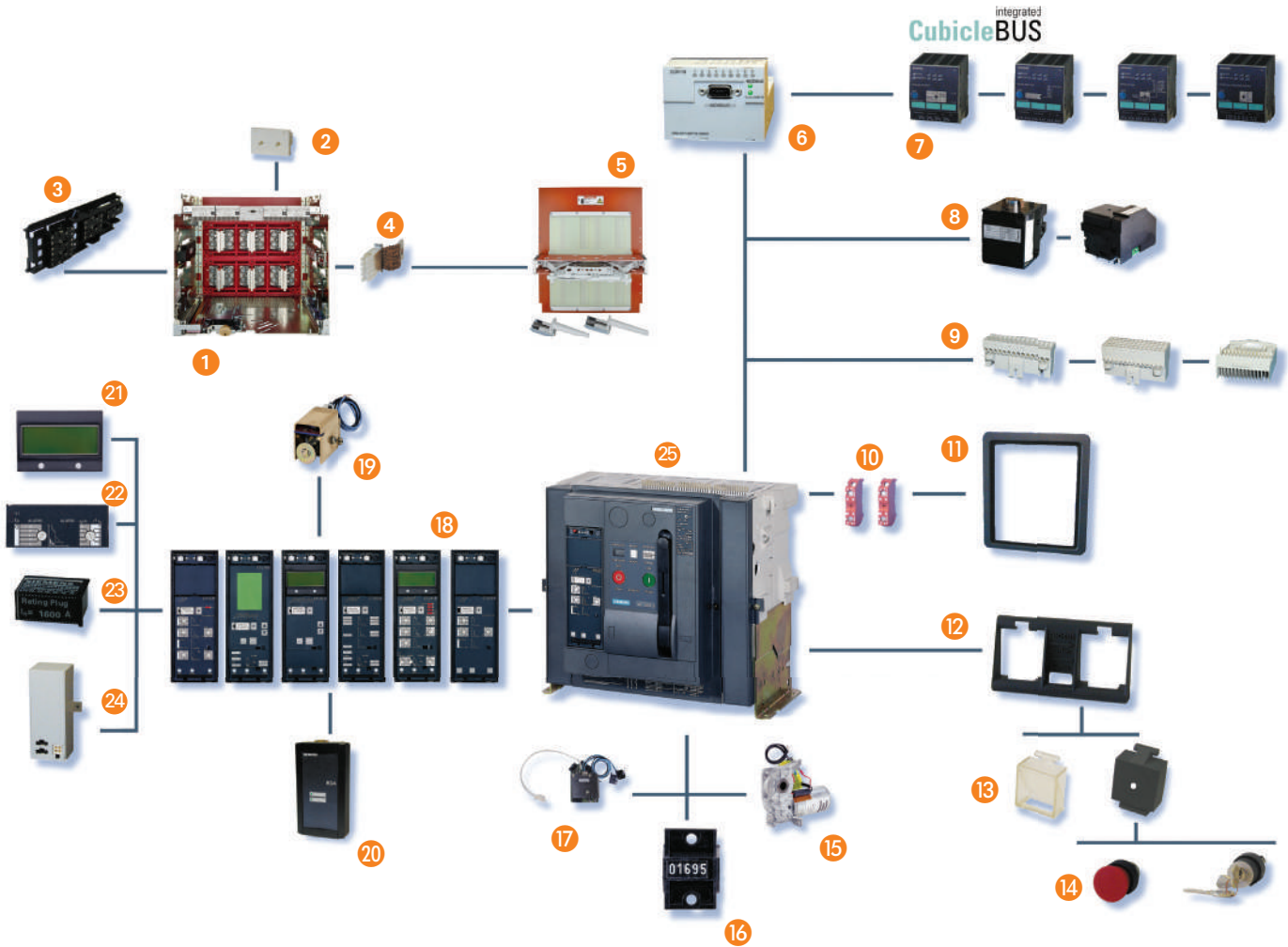
Overview

### WL Circuit Breaker

Superior individual products for low-voltage power distribution systems

12

SWITCHGEAR



- 1 Guide Frame (for drawout version only)
- 2 Vertical to Horizontal BUS Connector
- 3 Position Signaling Switch (TOC)
- 4 Breaker / Guide Frame Grounding Contact
- 5 Shutter (locking)
- 6 MODBUS or PROFIBUS Communications
- 7 External CubicleBUS I/O Module
- 8 Plug-In Open and Closed Solenoids

- 9 Multiple Secondary Connections
- 10 Auxiliary Switch Block
- 11 Door Sealing Frame
- 12 Interlocking Set Base Plate
- 13 Protective Cover for OPEN/CLOSE Buttons
- 14 Multiple Key Locking Accessories
- 15 Single Bolt Motor Operator Installation
- 16 Operations Counter
- 17 Breaker Status Sensor (BSS)

- 18 Complete Trip Unit Family
- 19 Remote Reset
- 20 Breaker Data Adapter (BDA) for Internet Connection
- 21 Multi Angle LCD Module
- 22 Ground Fault Protection Module
- 23 Rating Plug
- 24 Metering Function (+ wave forms and harmonics)
- 25 Circuit Breaker

# Low-voltage Switchgear

## Type WL Low-voltage Metal-Enclosed Switchgear—Electronic Trip Units

Overview

### Electronic Trip Units

During development of our electronic trip units we have consistently striven to ensure modularity. The following are just some of the modules that are simple to retrofit at any time:

- Ground fault protection
- Communication
- Metering function
- Displays
- Rating plugs

This enables fast local adaptation to new system conditions. At the same time, the ETUs are provided with new, innovative functions, and all trip units are completely interchangeable independent of breaker ratings.

#### Rating Plug

The Rating Plug is a replaceable module that enables users to reduce the rated device current for optimum adaptation to the system; e.g. during startup of a plant section. The Rating Plug should be selected so that it corresponds to the rated current of the system.

#### Switch-selectable I2t or I4t Characteristic Curve Improved Overload Protection

The best possible protection is assured when all protective devices in the system are optimally coordinated. To achieve optimum selectivity and coordination, the long-time characteristic can be switched between I2t and I4t.

#### Switchable Parameter Sets

To allow the protection to adapt to changes in system needs such as switching between utility and generator feeds, WL Circuit Breakers support ETUs with two independent parameter sets. Switching between the parameter sets occurs in less than 100 ms and can be done remotely or via a contact input to an optional CubicleBUS module.

#### Extended Instantaneous Protection

The electronic trip units designed for use with the WL circuit breaker provide a feature we call “Extended Instantaneous Protection” (Patent Pending).

It allows the WL breaker, as a family, across the entire range of ampacities to be applied at the withstand rating of the breaker with minus 0% tolerance; that means no instantaneous override. EIP further enables the circuit breaker to be applied up to the full interrupting rating of the breaker on systems where the available fault current exceeds the withstand rating, even with LS-only trip units. Why is this feature important? The answer is reliable power.

The coordination of the main breaker and the first level of feeder breakers is especially important because of the wide spread outage that will occur if one of these breakers trips unnecessarily.

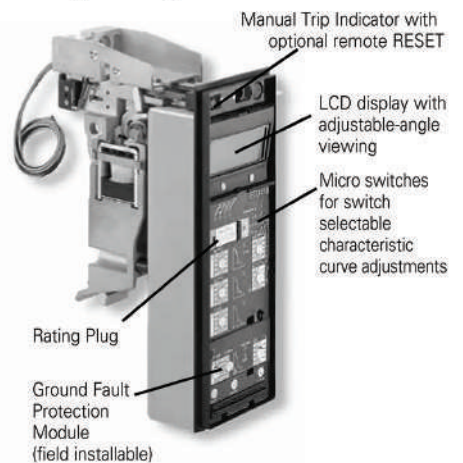
Conventional practice is to specify electronic trip breakers with “LS” type trip units in critical power systems. These ‘Long-Time’ and ‘Short-Time’ only trip units forgo the fast tripping times given by an ‘Instantaneous’ function. The justification for this delay is the benefit of allowing a downstream breaker to open first to clear a high magnitude fault. The main or feeder stays closed to keep the remainder of the loads operating.

However, a circuit breaker with an LS-only trip unit may never be applied on a system capable of delivering fault current higher than the breaker’s withstand rating, commonly 85kA or less. Where the available fault current is above this level, a breaker with an additional function must be used — an instantaneous override. This instantaneous override function trips the breaker instantly when the fault current reaches a pre-determined level below the withstand rating, usually around 20% lower. The benefit of this override is to allow application of the breaker up to the interrupting rating, which may be as high as 150kA. The disadvantage is that it compromises the coordination benefit because the main will probably trip at the same time as a downstream branch breaker in that 20% lower override window.

This is where the Extended Instantaneous Protection feature of the WL can offer the next level of coordination and protection functionality. Unlike an instantaneous override, Extended Instantaneous Protection (EIP) allows the full withstand rating — in fact up to the tolerance of plus 20% higher. Of course, EIP still provides the ability of the breaker to be applied at the interrupting level, as high as 150kA in a Frame Size III, non-fused breaker. This unique combination enables the system designer to achieve the highest possible level of coordination in the industry and also allows application of the WL on modern power systems with extremely high levels of available fault current.

A further benefit offered by EIP, over a standard LS trip unit equipped breaker, is that it provides an extra measure of protection in the event that the available fault current increases at some time during the life of the system beyond the withstand level. This would typically be due to a utility transformer change but could also be due to the addition of generators or large motors that contribute fault current. EIP provides the breaker the ability to react in an instantaneous fashion to a high level fault instead of having to rely on the slower reaction time of the short-time function.

#### Sample Configuration of an ETU745



# Low-voltage Switchgear

## Type WL Low-voltage Metal-Enclosed Switchgear—WL Circuit Breakers

*Selection*

Selection Criteria for WL Circuit Breakers

12

SWITCHGEAR



The basic criteria for selecting circuit breakers is:

**Maximum Available Short Circuit** at the installation point. This value determines the short circuit current interrupting rating or short circuit current withstand rating of the circuit breaker.

**Rated Current** In which is to flow through the respective circuit breaker continuously. This value may not be greater than the maximum rated current of the circuit breaker. The rated current for the WL is determined by the rating plug, up to the maximum frame rating.

**Ambient Temperature** of the circuit breaker.

**Design** of the circuit breaker.

**Protective Functions** of the circuit breaker. These are determined by the selection of the appropriate trip unit.

**Dynamic Arc-Flash Sentry (Patent Pending)** A unique feature of the WL trip unit allows the system designer to achieve lower levels of arc flash energy and delayed tripping for selective trip coordination purposes.

Dynamic Arc-Flash Sentry (DAS) employs the unique dual protective setting capability of the 776 trip units, coupled with the ability to easily toggle to a lower arc flash parameter set. A normal operation parameter set can be optimized for selective trip coordination, while the second set is optimized for lower arc flash energy levels. The dynamic action comes from the ability to switch from the normal operation set to the arc flash limiting set based on the presence of personnel as they approach the flash protection boundary. A wide variety of switching methods may be used based on the needs of a particular facility. The capabilities range from fully automatic switching using appropriate occupancy sensors to manual switching via a key operation.



# Low-voltage Switchgear

## Type WL Low-voltage Metal-Enclosed Switchgear—Electronic Trip Units

*Selection*

### Electronic Trip Units



<b>Basic Protective Functions</b>		<b>ETU745</b>	<b>ETU776</b>
Long-time overcurrent protection	L	●	●
Short-time delayed overcurrent protection	S	●	●
Instantaneous overcurrent protection	I	●	●
Neutral protection	N	●	●
Ground fault protection	G	○	○
<b>Additional Functions</b>			
Selectable neutral protection		●	●
Defeatable short-time delay		●	●
Defeatable instantaneous protection		●	●
Selectable thermal memory		●	●
Zone selective interlocking		○	○
Selectable I2t or fixed short-time delay		●	●
Adjustable instantaneous pick-up		●	●
Selectable I2t or I4t long-time delay		●	●
Adjustable short-time delay and pick-up		●	●
Selectable and adjustable neutral protection		●	●
Dual protective setting capability		—	●
Extended instantaneous protection		●	●
<b>Parameterization and Displays</b>			
Parameterization by rotary switches (10 steps)		●	—
Parameterization by communication (absolute values)		●	●
Parameterization by menu/keypad (absolute values)		—	●
Remote parameterization of the basic functions		—	●
Remote parameterization of the additional functions		—	●
Alphanumeric LCD		○	—
Graphical LCD		—	●
<b>Metering Function</b>			
Metering function Plus		○	○
<b>Communication</b>			
CubicleBUS		●	●
Communication via PROFIBUS-DP		○	○
Communication via the MODBUS		○	○
Communication via the Ethernet (BDA)		○	○

● standard — not available ○ optional

# Low-voltage Switchgear

## WL Low-voltage Metal-Enclosed Switchgear

### Technical Information

#### Tripping Characteristics

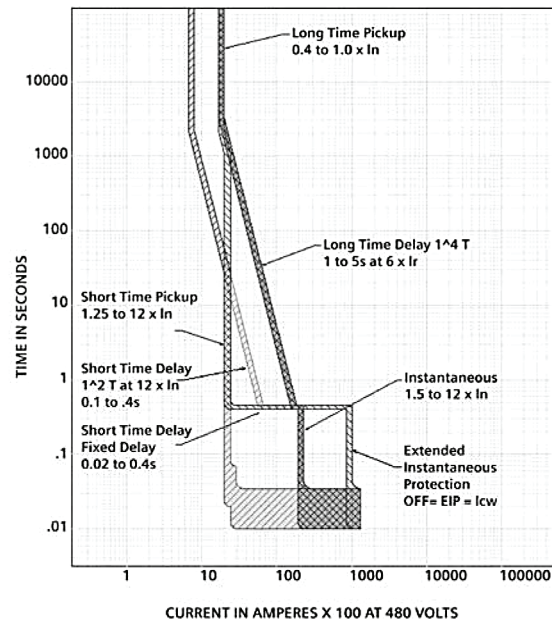
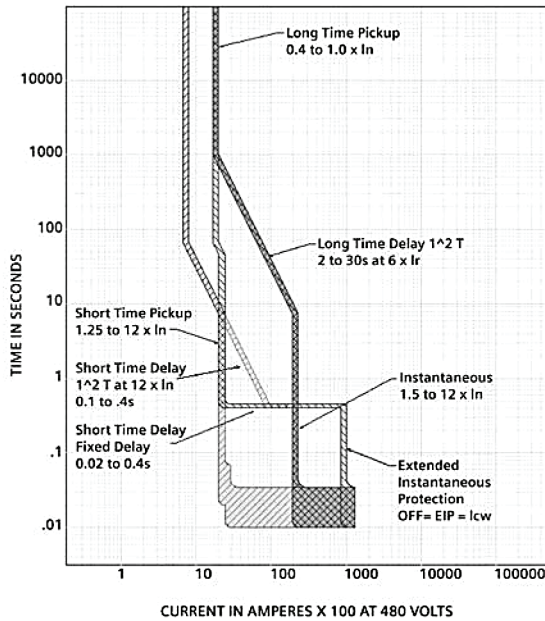
Every trip unit and every trip function has its own characteristic. You will find just a small section of these illustrated below. The characteristics show the respective greatest and smallest setting range of WL Circuit Breakers.

To obtain a complete release characteristic, the appropriate characteristic functions must be determined.

The characteristics show the behavior of the overcurrent release when it is activated by a current already flowing

before tripping. If the overcurrent trip takes place immediately after closing and the overcurrent release is therefore not yet activated, the opening time is prolonged by about 3 to 10 ms, depending on the value of the overcurrent.

ETU745



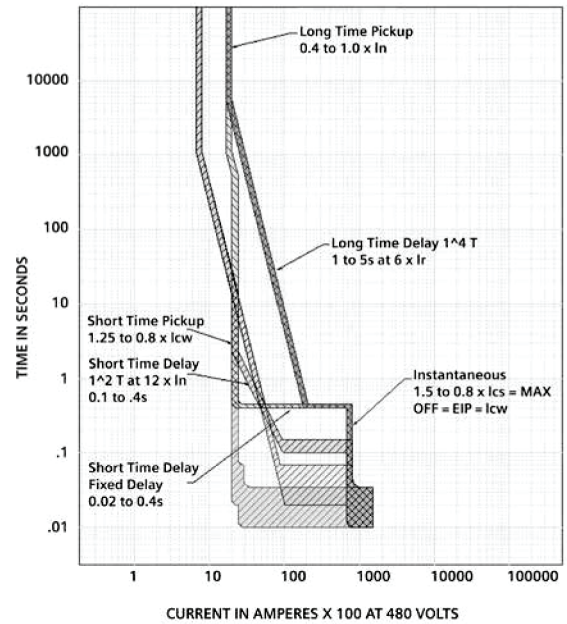
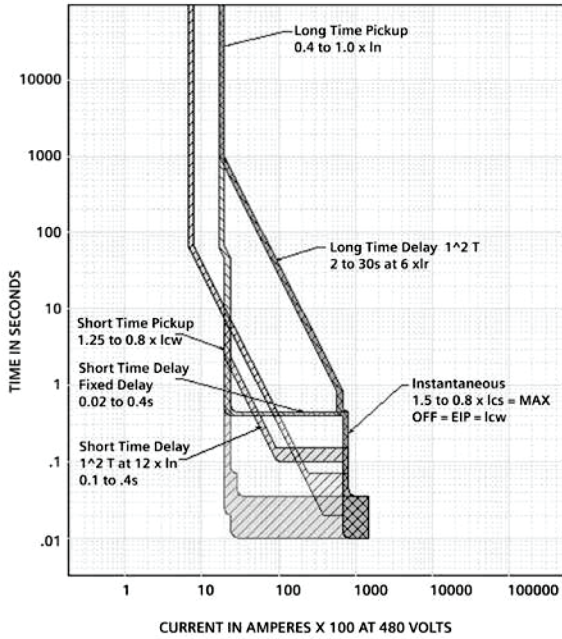
# Low-voltage Switchgear

## WL Low-voltage Metal-Enclosed Switchgear

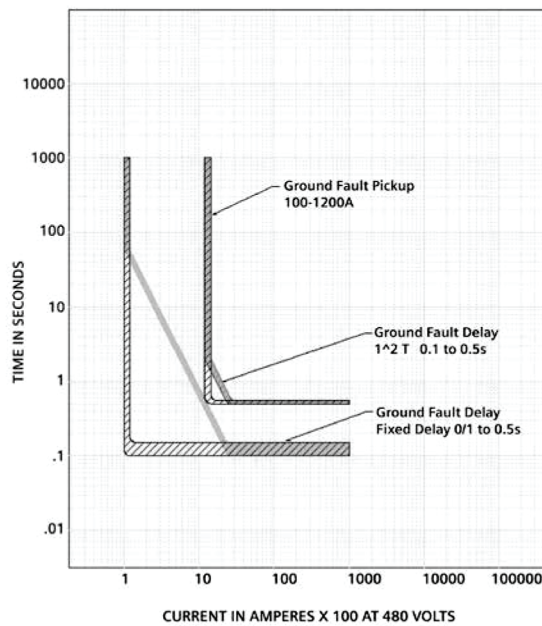
Technical Information

### Tripping Characteristics

ETU776



Ground Fault Curve for ETU745 and 776





# Low-voltage Switchgear

## WL Low-voltage Metal-Enclosed Switchgear

Technical Information

WL Circuit Breakers ANSI / UL 1066

### Breaker Ratings

SWITCHGEAR 12

Frame Rating Rating Class		Frame Size II																	
		800					1600					2000				3200			
		N	S	H	L	F	N	S	H	L	F	S	H	L	F	S	H	L	
Instantaneous Short-circuit Current <sup>①</sup> (kA RMS) 50/60 Hz	254VAC 508VAC 635VAC	50	65	85	100	200	50	65	85	100	200	65	85	100	200	65	85	100	
Short-time Withstand Current $I_{cw}$ (kA RMS) 50/60 Hz	0.5s	50	65	65	85	—	50	65	65	85	—	65	65	85	—	65	65	85	
Extended Instantaneous Protection (kA RMS -0% to +20%)		50	65	65	85	—	50	65	65	85	—	65	65	85	—	65	65	85	
Close and Latch Ratings (kA RMS) 50/60 Hz		50	65	65	85	65	50	65	65	85	65	65	65	85	65	65	65	85	
Rating Plug Range		200, 225, 250, 300, 315, 350, 400, 450, 500, 600, 630, 700, 800 amps					200, 225, 250, 300, 315, 350, 400, 450, 500, 600, 630, 700, 800, 1000, 1200, 1250, 1600 amps					200, 225, 250, 300, 315, 350, 400, 450, 500, 600, 630, 700, 800, 1000, 1200, 1250, 1600, 2000 amps				200, 225, 250, 300, 315, 350, 400, 450, 500, 600, 630, 700, 800, 1000, 1200, 1250, 1600, 2000, 2500, 3000, 3200 amps			
Endurance Rating (switching operations with maintenance) <sup>②</sup>	Mechanical Electrical	15,000 15,000					15,000 15,000					15,000 15,000				15,000 15,000			

Frame Rating Rating Class		Frame Size III															
		3200			4000				5000				6000				
		M	F	H	L	M	F	H	L	M	F	H	L	M			
Instantaneous Short-circuit Current <sup>①</sup> (kA RMS) 50/60 Hz	254V AC 508V AC 635V AC	150	200	85	100	150	200	85	100	150	200	85	100	150	200	85	100
Short-time Withstand Current $I_{cw}$ (kA RMS) 50/60 Hz	0.5 s	100 <sup>③</sup>	—	85	100 <sup>③</sup>	100 <sup>③</sup>	—	85	100	100 <sup>③</sup>	—	85	100	100 <sup>③</sup>	—	85	100
Extended Instantaneous Protection (kA RMS -0% to +20%)	254V AC 508V AC 635V AC	150	—	85	100	150	—	85	100	150	—	85	100	150	—	85	100
Close and Latch Ratings (kA RMS) 50/60 Hz		100 <sup>③</sup>	85	85	85	100 <sup>③</sup>	85	85	85	100 <sup>③</sup>	85	85	85	100 <sup>③</sup>	85	85	100 <sup>③</sup>
Rating Plug Range		800, 1000, 1200, 1250, 1600, 2000, 2500, 3000, 3200 amps			800, 1000, 1200, 1250, 1600, 2000, 2500, 3000, 3200, 4000 amps				800, 1000, 1200, 1250, 1600, 2000, 2500, 3000, 3200, 4000, 5000 amps				800, 1000, 1200, 1250, 1600, 2000, 2500, 3000, 3200, 4000, 5000, 6000 amps				
Endurance Rating (switching operations with maintenance) <sup>②</sup>	Mechanical Electrical	10,000 10,000			10,000 10,000				10,000 10,000				10,000 10,000				

① Maximum rated voltage for fused breakers is 600VAC.

② Maintenance means: replacing main contacts and arc chutes (see operating instructions).

③ Short-time withstand rating is 85kA RMS at 635VAC.

# Low-voltage Switchgear

## WL Low-voltage Metal-Enclosed Switchgear

Technical Information

### WL Non-Automatic Switches ANSI / UL 1066

#### Ratings

Frame Rating Rating Class		Frame Size II						Frame Size III							
		800		1600		2000		3200	3200		4000		5000		6000
		L	F <sup>①</sup>	L	F <sup>①</sup>	L	F <sup>①</sup>	L	F <sup>①</sup>	L	F <sup>①</sup>	L	F <sup>①</sup>	L	
Short-time Withstand Current (kA RMS) 50/60 Hz	0.5 s	85	20	85	20	85	20	85	40	100	40	100	40	100	
Breaking Capacity with External Relay (kA RMS) 635Vac , 50/60 Hz, max time delay	0.5 s	85	20	85	20	85	20	85	40	100	40	100	40	100	

#### WL Circuit Breakers

Frame Rating		Frame Size II				Frame Size III			
		800	1600	2000	3200	3200	4000	5000	6000
<b>Rated current In</b> at 40°C, at 50/60Hz	A	800	1600	2000	3200	3200	4000	5000	6000
Rated operational (nominal) voltage	VAC	600	600	600	600	600	600	600	600
Rated maximum voltage	VAC	635	635	635	635	635	635	635	635
Permissible ambient temperature operation (for operation with LCD max. 55°C)	°C	-25 / +70	-25 / +70	-25 / +70	-25 / +70	-25 / +70	-25 / +70	-25 / +70	-25 / +70
Storage (observe special conditions for LCD)	°C	-40 / +70	-40 / +70	-40 / +70	-40 / +70	-40 / +70	-40 / +70	-40 / +70	-40 / +70
Power loss at Rated Current with 3-phase <sup>②</sup> symmetrical load	W	85 130 (fused)	320 520 (fused)	500 850 (fused)	1150	700	1100	1650	2475
Operating times Make-time	ms	35	35	35	35	35	35	35	35
Break-time (with active ETU3 )	ms	34	34	34	34	34	34	34	34
Break-time (without active ETU4)	ms	50	50	50	50	50	50	50	50
Total clearing time (with active ETU3)	ms	50	50	50	50	50	50	50	50
Total clearing time (without active ETU4)	ms	65	65	65	65	65	65	65	65
Make-time, electrical (via closing solenoid)	ms	50	50	50	50	50	50	50	50
Break-time, electrical (via shunt trip)	ms	40	40	40	40	40	40	40	40
(via instantaneous UVR)	ms	73	73	73	73	73	73	73	73

① Interrupting rating is equal to 200kA based on the rating of the f.use

② Consult factory for fuse carriage power I.o ss


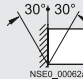
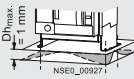
# Low-voltage Switchgear

## WL Low-voltage Metal-Enclosed Switchgear

Technical Information

### WL Circuit Breakers

SWITCHGEAR 12

Frame Rating	Frame Size II					Frame Size III			
	800	1600	2000	3200	3200	4000	5000	6000	
<b>Endurance</b>									
Mechanical (without aintenance)	operating cycles	12,500	12,500	10,000	10,000	5,000	5,000	5,000	5,000
Mechanical (with maintenance) <sup>①</sup>	operating cycles	15,000	15,000	15,000	15,000	10,000	10,000	10,000	10,000
Electrical (without maintenance)	operating cycles	7,500	7,500	4,000	4,000	2,000	2,000	2,000	2,000
Electrical (with maintenance) <sup>①</sup>	operating cycles	15,000	15,000	15,000	15,000	10,000	10,000	10,000	10,000
<b>Switching frequency</b>	1/h	60	60	60	60	60	60	60	60
Minimum interval between breaker trip and next closing of the circuit breaker (when used with the automatic mechanical reset of the bell alarm)	ms	80	80	80	80	80	80	80	80
<b>Mounting position</b>									
<b>Auxiliary secondary wire size (Cu) max # of aux. connecting leads x cross section (solid or stranded)</b>	Bare wire pressure terminal	1 x AWG 14 or 2 x AWG 16	1 x AWG 14 or 2 x AWG 16	1 x AWG 14 or 2 x AWG 16	1 x AWG 14 or 2 x AWG 16	1 x AWG 14 or 2 x AWG 16	1 x AWG 14 or 2 x AWG 16	1 x AWG 14 or 2 x AWG 16	1 x AWG 14 or 2 x AWG 16
	Tension spring terminal	2 x AWG 14	2 x AWG 14	2 x AWG 14	2 x AWG 14	2 x AWG 14	2 x AWG 14	2 x AWG 14	2 x AWG 14
	Ring tongue terminal (standard)	2 x AWG 14 1 x AWG 102  2 x AWG 16	2 x AWG 14 1 x AWG 102  2 x AWG 16	2 x AWG 14 1 x AWG 102  2 x AWG 16	2 x AWG 14 1 x AWG 102  2 x AWG 16	2 x AWG 14 1 x AWG 102  2 x AWG 16	2 x AWG 14 1 x AWG 102  2 x AWG 16	2 x AWG 14 1 x AWG 102  2 x AWG 16	2 x AWG 14 1 x AWG 102  2 x AWG 16
<b>TOC wire connection size (Cu) max # of aux. connecting leads x cross section (solid or stranded)</b>	Bare wire pressure terminal	1 x AWG 14	1 x AWG 14	1 x AWG 14	1 x AWG 14	1 x AWG 14	1 x AWG 14	1 x AWG 14	1 x AWG 14
<b>Weight<sup>②</sup></b>	Circuit Breaker	kg/lb	72/159	72/159	75/165	95/209	155/341	155/341	155/341
	Guide Frame	kg/lb	51/112	51/112	60/132	69/152	139/306	139/306	139/306
<b>MOC wire connection size (Cu) max # of aux. connecting leads x cross section (solid or stranded)</b>	Bare wire pressure terminal	1 x AWG 14	1 x AWG 14	1 x AWG 14	1 x AWG 14	1 x AWG 14	1 x AWG 14	1 x AWG 14	1 x AWG 14

① Maintenance consists of replacing main contacts and arc chutes (see operating instructions).

② For use only with Siemens supplied ring terminals (WL1.0RL).

③ **Fused Breaker Weights**

	Frame Size II (fused)	Frame Size III (fused)
Breaker (kg/lb)	103/227	same as table above
Guide Frame	68/150	130/275
Fuse Carriage	-	102/225

# Low-voltage Switchgear

## WL Low-voltage Metal-Enclosed Switchgear

Technical Information

### WL Circuit Breaker Accessory Ratings

Manual Operating Mechanism with Mechanical Closing			
Closing/charging stored energy mechanism			
	Maximum actuating force required on hand lever		52 lb
	Number of hand lever strokes required		9
Manual Operating Mechanism with Mechanical and Electrical Closing			
Charging stored-energy mechanism			
Closing solenoid and Shunt Trip	Coil voltage tolerance	24V DC	14 - 28V DC
		48V DC	28 - 56V DC
		120V AC / 125V DC	70 - 140V DC
		240V AC / 250V DC	104 - 127V AC
			140 - 280V DC
			08 - 254V c.a.
			180Y / 104V AC
			220Y / 127V AC
	Power consumption (5 % duty cycle)		120 W
	Minimum closing solenoid actuation signal required		50 ms
Motor Operating Mechanism with Mechanical and Electrical Closing			
Spring charging motor			
	Motor voltage tolerance at 120V AC, 240V AC		85 - 110%
	Extended tolerance for battery operation at 24V DC, 48V DC, 125V DC, 250V DC		70 - 126%
	Power consumption of the motor		110 W
	Time required for charging the stored-energy mechanism		≤ 10 s
Closing solenoid			
For motor and closing solenoid short-circuit protection			
	Short-circuit protection	24 - 60 V	6 A
	Standard slow-blow cartridge fuse	110 - 250 V	3 A
Auxiliary Release			
Undervoltage release (UVR)	Operating values		≥ 85% (circuit breaker can be closed)
			35 - 70% (circuit breaker opens)
	AC Coil voltage tolerance at 120V AC, 240V AC		85 - 110%
	DC Extended tolerance for battery operation at 24V DC, 48V DC, 125V DC, 250V DC		85 - 126%
Rated control supply voltage		AC 50/60Hz	V
		DC	V
Power consumption (inrush / continuous)		AC	VA
		DC	W
	Opening time of the circuit breaker for AC / DC	ms	200
UVR (no time delay), 2 settings	Setting 1		ms
		Setting 2	ms
	UVR (with time delay) Adjustable delay	s	0,2 to 3,2
	Reset by additional NC direct opening	ms	≤ 100

# Low-voltage Switchgear

## WL Low-voltage Metal-Enclosed Switchgear

Technical Information

### WL Circuit Breaker Accessory Ratings

#### Auxiliary Contacts and Mechanism Operated Contacts (MOC)

Contact rating	Alternating current		
	50/60 Hz	Rated operational voltage Rated operational current, continuous Rated operational current, making Rated operational current, breaking	240V 10A 30A 3A
Direct current	Rated operational voltage	24V, 125V, 250V	
	Rated operational current, continuous	5A	
	Rated operational current, making	1.1A at 24V, 1.1A at 125V, 0.55A at 250V	
	Rated operational current, breaking	1.1A at 24V, 1.1A at 125V, 0.55A at 250V	

#### Bell Alarm Switch and Ready-to-Close Signal Contact

Contact rating	Alternating current		
	50/60 Hz	Rated operational voltage Rated operational current, continuous Rated operational current, making Rated operational current, breaking	240V 5A 8A 5A
Direct current	Rated operational voltage	24V, 48V, 125V	250V DC
	Rated operational current, continuous	0.4A	0.2 A
	Rated operational current, making	0.4A	0.2 A
	Rated operational current, breaking	0.4A	0.2 A

#### Shunt Trip, UVR and Blown Fuse Signaling Contacts

Contact rating	Alternating current		
	50/60 Hz	Rated operational voltage Rated operational current, continuous Rated operational current, making Rated operational current, breaking	127V, 240V 3A 5A 6A
Direct current	Rated operational voltage	24V, 48V, 125V	125V DC (IEC Rating Only)
	Rated operational current, making	1.0A	0.5A
	Rated operational current, breaking	1.0A	0.5A

#### Position Signal Contact on the Guide Frame (TOC)

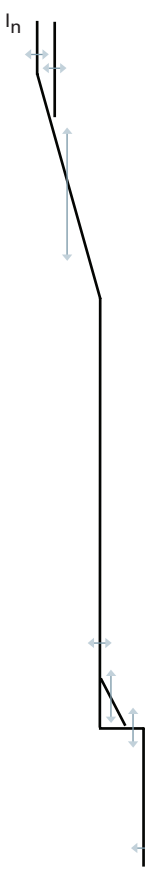
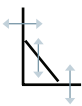
Breaker position:	Connected position	3 form C	or	1 form C	or	6 form C
	Test position	2 form C		1 form C	or	0 form C
	Disconnected position	1 form C		1 form C		0 form C
Contact rating	Alternating current					
	50/60 Hz	Rated operational voltage Rated operational current, continuous Rated operational current, making Rated operational current, breaking	120V 10A 6A 6A			240V 10A 3A 3A
Direct current	Rated operational voltage	24V		48V, 125V		250V
	Rated operational current, continuous	6A		1A		1A
	Rated operational current, making	6A		0.22A		0.11A
	Rated operational current, breaking	6A		0.22A		0.11A

# Low-voltage Switchgear

## WL Low-voltage Metal-Enclosed Switchgear

## Technical Information

### Function Overview of the Electronic Trip Units

Fonctions de base		ETU745
	<b>Long-time overcurrent protection</b> Function can be switched ON/OFF Setting range $I_R = I_n \times \dots$	✓ — 0.4, 0.45, 0.5, 0.55, 0.6, 0.65, 0.7, 0.8, 0.9, 1
	<b>L</b> Switch-selectable overload protection ( $I^2t$ or $I^4t$ dependent function) Setting range of time delay class $t_R$ at $I^2t$ (seconds)	✓ 2, 3.5, 5.5, 8, 10, 14, 17, 21, 25, 30 1, 2, 3, 4, 5
	Setting range of time delay $t_R$ at $I^4t$ (seconds) Thermal memory Phase loss sensitivity	✓(via slide switch) at $t_{sd}=20ms$ (M)
	<b>N</b> <b>Neutral protection</b> Function can be switched ON/OFF N-conductor setting range $I_N = I_n \times \dots$	✓ ✓(via slide switch) 0.5 ... 1
	<b>S</b> <b>Short-time delayed overcurrent protection</b> Function can be switched ON/OFF Setting range $I_{sd} = I_n \times \dots$ Setting range of time delay $t_{sd}$ , fixed (seconds) Switch-selectable short-time delay short-circuit protection ( $I^2t$ dependent function) Setting range of time delay $t_{sd}$ at $I^2t$ (seconds) Zone Selective Interlocking (ZSI) function	✓ ✓(via rotary switch) 1.25, 1.5, 2, 2.5, 3, 4, 6, 8, 10, 12 0.02 (M), 0.1, 0.2, 0.3, 0.4, OFF ✓(via rotary switch) 0.1, 0.2, 0.3, 0.4 per CubicleBUS module
<b>I</b> <b>Instantaneous overcurrent protection</b> Function can be switched on/off, Extended Instantaneous Protection is enabled when OFF Setting range $I_i = I_n \times \dots$	✓ ✓(via rotary switch) 1.5, 2.2, 3, 4, 6, 8, 10, 12 $0.8 \times I_{cw} = \max$ , OFF= $I_{cw}=EIP^{\text{①}}$	
	<b>G</b> <b>Ground fault protection<sup>②</sup></b> Trip and alarm function Detection of the ground fault current by residual summing method Detection of the ground fault current by direct summing method Setting range of the $I_g$ for trip Setting range of the $I_g$ for alarm Setting range of the time delay (seconds) Switch-selectable ground fault protection ( $I^2t$ / fixed) Setting range time delay $t_g$ at $I^2t$ ZSI ground function	○(field installable module) ✓ ✓ ✓ A, B, C, D, E A, B, C, D, E 0.1, 0.2, 0.3, 0.4, 0.5 ✓ 0.1, 0.2, 0.3, 0.4, 0.5 En fonction du module CubicleBUS

① Extended Instantaneous Protection (EIP) allows the WL breaker to be applied at the withstand rating of the breaker with minus 0% tolerance; that means no instantaneous override whatsoever. EIP further enables the circuit breaker to be applied up to the full instantaneous rating of the breaker on systems where the available fault current exceeds the withstand rating.  
 ② Ground Fault Module cannot be removed after installation.

✓ available  
 — not available  
 ○ optional

# Low-voltage Switchgear

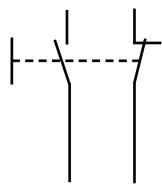
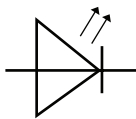
## WL Low-voltage Metal-Enclosed Switchgear

Technical Information

### Function Overview of the Electronic Trip Units

SWITCHGEAR 12

Basic Functions		ETU745	
Parameter sets	Selectable between parameter set A and B	—	
LCD	LCD, alphanumeric (4-line)	○	
	LCD, graphic	—	
Communication	CubicleBUS integrated	✓	
	Communication capability via MODBUS or PROFIBUS	✓	
Metering function	Metering function capability with Metering Function PLUS	✓	
Display by LED	Trip unit active	✓	
	Alarm	✓	
	ETU error	✓	
	L trip	✓	
	S trip	✓	
	I trip	✓	
	N trip	✓	
	G trip	✓(only with ground fault module)	
	G alarm	✓(only with ground fault module)	
	Tripped by extended protection or protective relay function	✓	
	Communication	✓	
	Signal contacts with external CubicleBUS modules (Opto or relay)	Overcurrent warning	✓
		Load shedding OFF/ON	✓
Early signal of long time trip (200ms)		✓	
Temperature alarm		✓	
Phase unbalance		✓	
Instantaneous trip		✓	
Short-time trip		✓	
Long-time trip		✓	
Neutral conductor trip		✓	
Ground fault protection trip		✓(only with ground fault module)	
Ground fault alarm		✓(only with ground fault module)	
Auxiliary relay		✓	
ETU error		✓	



#### Step for Settings via Communications or ETU Key Pad

from ... to	step	from ... to	step
0 ... 1	0.1	1000 ... 1600	50
1 ... 100	1	1600 ... 10000	100
100 ... 500	5	10000 ... max.	1 000
500 ... 1000	10		

#### Setting range of the $I_g$

	Frame Size II	Frame Size III
A	100A	400A
B	300A	600A
C	600A	800A
D	900A	1000A
E	1200A	1200A

✓ available  
— not available  
○ optional




# Low-voltage Switchgear

## WL Low-voltage Metal-Enclosed Switchgear

Technical Information

### Function Overview of the Electronic Trip Units

Fonctions de base		ETU776
	<b>Protection contre les surcharges à long délai</b> <b>Long-time overcurrent protection</b> Function can be switched ON/OFF Setting range $I_R = I_n \times \dots$	✓ — 0.4 ... 1 (step: 1 A)
	<b>L</b> Switch-selectable overload protection ( $I^2t$ or $I^4t$ dependent function) Setting range of time delay class $t_{R1}$ at $I^2t$ (seconds)  Setting range of time delay $t_R$ at $I^4t$ (seconds)  Thermal memory  Phase loss sensitivity	✓ 2 ... 30 (step: 0.1 s) 1 ... 5 (step: 0.1 s) ✓ (on/off via key pad or communications) ✓ (on/off via key pad or communications)
	<b>N</b> <b>Neutral protection</b> Function can be switched ON/OFF N-conductor setting range $I_N = I_n \times \dots$	✓ ✓ (via slide switch) 0.5 ... 1
	<b>S</b> <b>Short-time delayed overcurrent protection</b> Function can be switched ON/OFF Setting range $I_{sd} = I_n \times \dots$  Setting range of time delay $t_{sd}$ , fixed (seconds) Switch-selectable short-time delay short-circuit protection ( $I^2t$ dependent function) Setting range of time delay $t_{sd}$ at $I^2t$ (seconds) Zone Selective Interlocking (ZSI) function	✓ ✓ (via key pad or communications) 1,25 ... $0.8 \times I_{cw} = \max$ (step: 10 A) M, 0.08 ... 0.4, OFF (step: 0.001s) ✓ (via key pad or communications) 0.1 ... 0.4 (step: 0.001 s) Per CubicleBUS module
	<b>I</b> <b>Instantaneous overcurrent protection</b> Function can be switched ON/OFF, Extended Instantaneous Protection is enabled when OFF Setting range $I_I = I_n \times \dots$	✓ ✓ (via key pad or communications) $1.5 \times I_n \dots 0.8 \times I_{cs} = \max$ , OFF= $I_{cw}$ =EIP <sup>①</sup>
	<b>G</b> <b>Ground fault protection<sup>②</sup></b> Trip and alarm function Detection of the ground fault current by residual summing method Detection of the ground fault current by direct summing method Setting range of the $I_g$ for trip Setting range of the $I_g$ for alarm Setting range of the time delay $t_g$ (seconds) Switch-selectable ground fault protection ( $I^2t$ / fixed) Setting range time delay $t_g$ at $I^2t$ ZSI ground function	○ (field installable module) ✓ (via key pad or communications) ✓ ✓ A ... E (step: 1 A) A ... E (step: 1 A) 0.1 ... 0.5 (step: 0.001 s) ✓ 0.1 ... 0.5 (step: 0.001 s) Per CubicleBUS module

① Extended Instantaneous Protection (EIP) allows the WL breaker to be applied at the withstand rating of the breaker with minus 0% tolerance; that means no instantaneous override whatsoever. EIP further enables the circuit breaker to be applied up to the full instantaneous rating of the breaker on systems where the available fault current exceeds the withstand rating.  
 ② Ground Fault Module cannot be removed after installation.

**Notes:** M = Motor protection setting (20 ms)  
 Communications = Setting the parameters of the trip unit via the Breaker Data Adapter, MODBUS, or PROFIBUS  
 Key pad = Direct input at the trip unit

✓ available  
 — not available  
 ○ optional

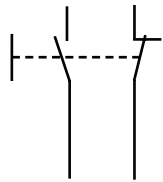
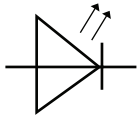
# Low-voltage Switchgear

## WL Low-voltage Metal-Enclosed Switchgear

Technical Information

### Function Overview of the Electronic Trip Units

Basic Functions		ETU745	ETU776
Parameter sets	Selectable between parameter set A and B	—	✓
LCD	LCD, alphanumeric (4-line)	○	—
	LCD, graphic	—	✓
Communication	CubicleBUS integrated	✓	✓
	Communication capability via MODBUS or PROFIBUS	✓	✓
Metering function	Metering function capability with Metering Function PLUS	✓	✓
Display by LED	Trip unit active	✓	✓
	Alarm	✓	✓
	ETU error	✓	✓
	L trip	✓	✓
	S trip	✓	✓
	I trip	✓	✓
	N trip	✓	✓
	G trip	✓ (only with ground fault module)	✓ (only with ground fault module)
	G alarm	✓ (only with ground fault module)	✓ (only with ground fault module)
	Tripped by extended protection or protective relay function	✓	✓
	Communication	✓	✓
	Signal contacts with external CubicleBUS modules (Opto or relay)	Overcurrent warning	✓
Load shedding OFF/ON		✓	✓
Early signal of long time trip (200ms)		✓	✓
Temperature alarm		✓	✓
Phase unbalance		✓	✓
Instantaneous trip		✓	✓
Short-time trip		✓	✓
Long-time trip		✓	✓
Neutral conductor trip		✓	✓
Ground fault protection trip		✓ (only with ground fault module)	✓ (only with ground fault module)
Ground fault alarm		✓ (only with ground fault module)	✓ (only with ground fault module)
Auxiliary relay		✓	✓
ETU error		✓	✓



### Metering and Protective Relaying Accuracies

Protective Relaying	Pick-up Accuracy
Phase Unbalance (I)	2% (5...50% $I_n$ )
Phase Unbalance (V)	2% (5...50% $V_n$ )
THD (I) (up to 29th)	+/- 3% (80...120% $V_n$ )
THD (V) (up to 29th)	+/- 3% (80...120% $V_n$ )
Overvoltage	+/- 2% (80...120% $V_n$ )
Undervoltage	+/- 2% (80...120% $V_n$ )
Under/Over Frequency	+/- 0.1 Hz

Metering Values	Accuracy
(I) at $1 \times I_n$	+/- 1%
(V) at $1 \times V_n$	+/- 0.5%
(P) at $1 \times I_n$	+/- 3%
(S) at $1 \times I_n$	+/- 2%
(Q) at $1 \times I_n$	+/- 3%

✓ available  
 — not available  
 ○ optional

# Low-voltage Switchgear

## WL Low-voltage Metal-Enclosed Switchgear

Technical Information

### WL Secondary Terminal Assignments

	Internal	Terminals	External
		<b>X9</b>	
Bell alarm / trip signaling		14	
		13	
		12	
Signaling switch, 2nd auxiliary release Local electric close		11	
		10	
Signaling switch, 1st auxiliary release		9	L / (+) Control power signal
		8	
Signal switch, open fuse lockout		7	
		6	
Maglatch for open fuse lockout (FS III fused only)		5	
		4	X9.4 Fuse carriage FSIII
		3	X9.3
		2	L / (+) Control power signal
2nd shunt trip		1	N / (+)
		<b>X8</b>	
Remote reset bell alarm & tripped indicator		14	L / (+) Control power signal
		13	N / (-)
GF sensor S2		12	] Short terminals, if no N sensor
GF sensor S1		11	
N sensor S2		10	
N sensor S1		9	
External voltage transformer COM		8	] For use with 120V AC secondary voltage transformers
External voltage transformer L3		7	
External voltage transformer L2		6	
External voltage transformer L1		5	
0 V d.c.		4	
Control Power 24 V d.c.		3	24 V d.c. input
CUB +		2	] Termination resistor, 120 Ω, 0.5 W if no external CB Module connected
CUB -		1	
COM15/16, otherwise no connection		<b>X7</b>	
		<b>X6</b>	
1st Shunt Trip		14	L / (+) Control power signal
		13	N / (-)
Aux switch, N.O., 52a, S1		12	
Aux switch, N.C., 52b, S1		11	
		10	
Closing coil		9	
		8	N / (-)
"Ready-to-close" signal		7	L / (+) Control power signal
		6	
Aux switch, N.O., 52a, S2		5	
Aux switch, N.C., 52b, S2		4	
		3	
		2	
		1	
		<b>X5</b>	
Emergency open via UVR		14	] Breaker will open if X5-13 and X5-14 are not connected or opened by an emergency open signal, if a UVR is installed
UVR		13	
UVR		12	L / (+) Control power signal
Aux switch, N.O., 52a, S3		11	N / (-)
Aux switch, N.C., 52b, S3		10	
Aux switch, N.O., 52a, S4		9	
Aux switch, N.C., 52b, S4		8	
		7	
		6	
		5	
		4	
		3	
Charging motor Motor cut-off switch		2	L / (+) Control power signal
		1	N / (-)

# Low-voltage Switchgear

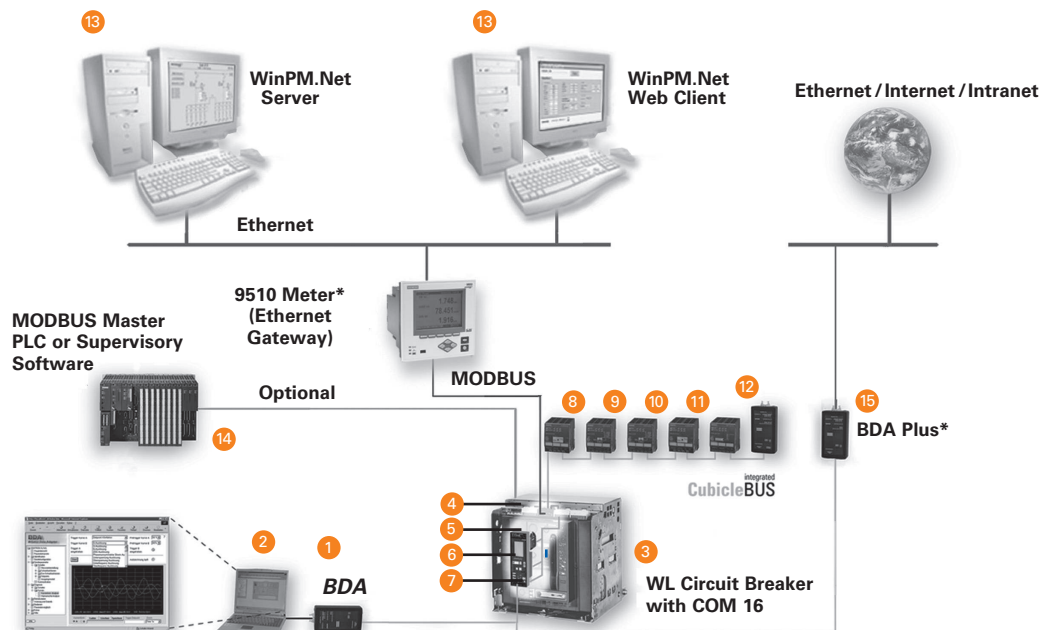
## Type WL Circuit Breakers

General

### WL Communication Overview

#### Connection Diagram

- 1 Breaker Data Adapter (BDA)
- 2 Browser-capable input and output device (e.g. notebook)
- 3 WL Circuit Breaker
- 4 COM 16 MODBUS module or COM 15 PROFIBUS module
- 5 Breaker Status Sensor (BSS)
- 6 Electronic Trip Unit
- 7 Metering function PLUS
- 8 Zone Selective Interlocking (ZSI) module
- 9 Digital output module with relay or optocoupler outputs
- 10 Digital output module with relay or optocoupler outputs, remotely configurable
- 11 Analog output module
- 12 Digital input module
- 13 WinPM.Net on PC
- 14 PLC (e.g. SIMATIC S7)
- 15 BDA Plus



\* The Siemens BDA Plus or meters, 9330, 9350, 95/9610 can be used as a gateway to enable Ethernet communication to the WL Circuit Breaker.

#### Features

- Industry standard MODBUS or PROFIBUS communication available on all WL breakers from 200A to 6000A.
- The high modularity of the WL Circuit Breakers and accessories allows simple retrofitting of all communication components.
- The ability to connect additional input and output modules to the breaker internal CubicleBUS of the WL opens up a range of opportunities to reduce secondary device count and wiring and to increase functionality implemented in switchgear.
- Innovative software products for local configuration, operation, monitoring and diagnostics of WL Circuit Breakers using MODBUS, PROFIBUS or via Ethernet/Intranet/Internet.
- Complete integration of WL Circuit Breakers in all Totally Integrated Power and Totally Integrated Automation Solutions.

# Low-voltage Switchgear

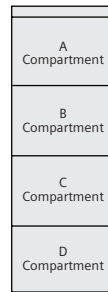
## WL Low-voltage Metal-Enclosed Switchgear

## Section Configurations

### General Notes:

- A blank/instrument compartment can always be substituted for a breaker compartment.
- Any 22" wide section can be 32" wide if more conduit working room is needed.
- For bus duct connections – if incoming is top, Compartment A must be blank/instrument, if incoming is bottom, Compartment D must be blank instrument.
- Bussed transition section is 22" wide
- For close coupled transformer connections, Compartment A must be blank/instrument.
- Utility metering is always in a separate section. Section width is dependent on utility.

### Section Compartment Arrangement

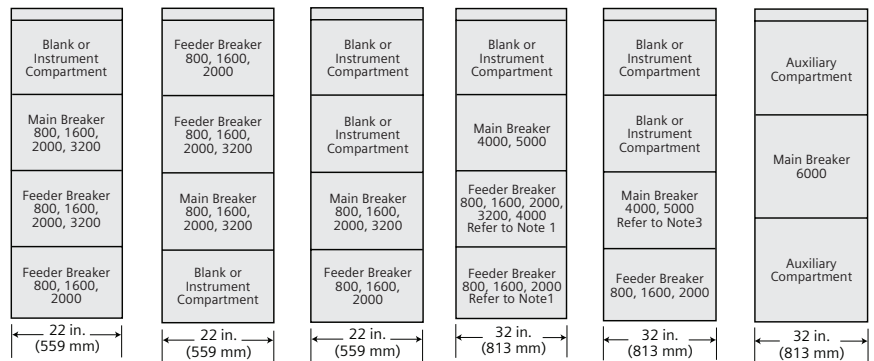


### Switchgear Depth Dimensional Information

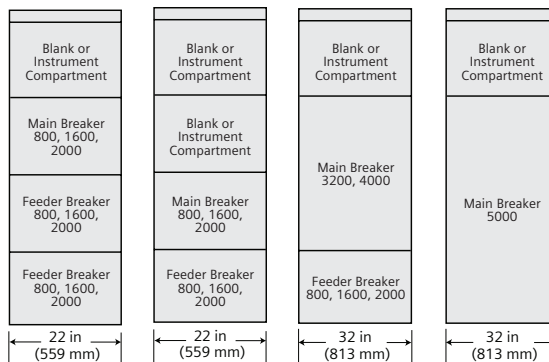
(Dimensions below are for internal frames – not total structure depth)

- Non-fused indoor – 60" standard, 70" and 80" optional
- Fused indoor – 65" standard, 75" and 80" optional
- Non-fused non-walk-in outdoor – 60" standard and 75" optional
- Fused non-walk-in outdoor – 65" standard and 75" optional
- Non-fused walk-in outdoor – 60" standard and 75" optional
- Fused walk-in outdoor – 65" standard and 75" optional
- Walk-in outdoor aisle is 42" deep
- Sections with cable connected main, tie and/or feeder breakers that are 3200 amp or greater must be minimum depth of 70" for unfused breakers and 75" for fused breakers.

### Main Sections – Non-Fused Breakers



### Main Sections – Fused Breakers



**Note 1** – If a 4000 amp feeder breaker is installed in Compartment C, Compartment D must be a Blank or Instrument Compartment.

**Note 2** – If a 4000 amp breaker is installed in Compartment B, Compartment A must be a Blank or Instrument Compartment.

**Note 3** – If incoming is bottom, feeder breakers can mount in compartments A and/or B.

**Note 4** – If a 3200 amp breaker is installed in Compartment B, the middle level through bus is not available.

**Note 5** – If a 3200 amp breaker is installed in Compartment D, the lower level through bus is not available.

**Note 6** – Only one 800, 1600, 2000 amp feeder breaker can be mounted per section. If the horizontal main bus is at the top of the section, the 800, 1600, 2000 amp feeder breaker can go in the A compartment and a blank/instrument compartment must go in the D compartment. If the horizontal main bus is at the bottom of the section, the 800, 1600, 2000 amp feeder breaker can go in the D compartment and a blank/instrument compartment must go in the A compartment.

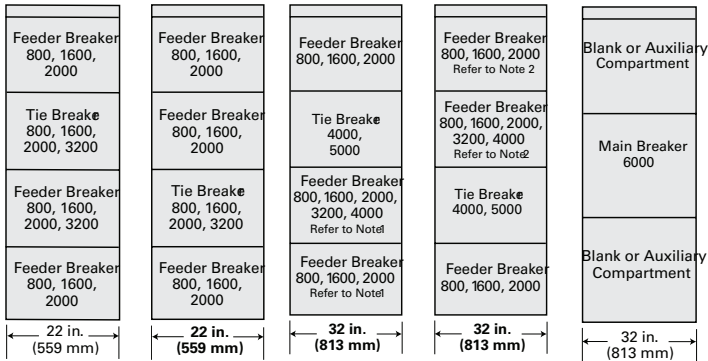
**Note 7** – Any feeder section (or bus transition section) with 6000 amp vertical bus must be 32" wide.

# Low-voltage Switchgear

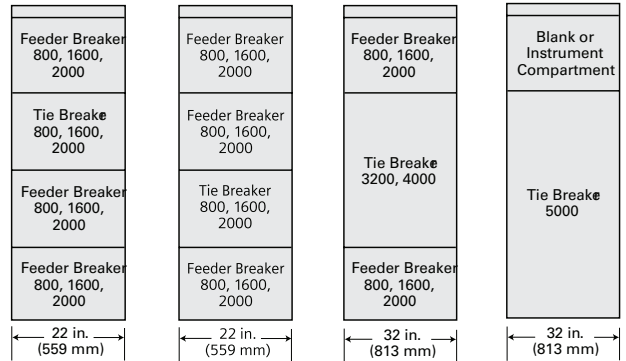
## WL Low-voltage Metal-Enclosed Switchgear

## Section Configurations

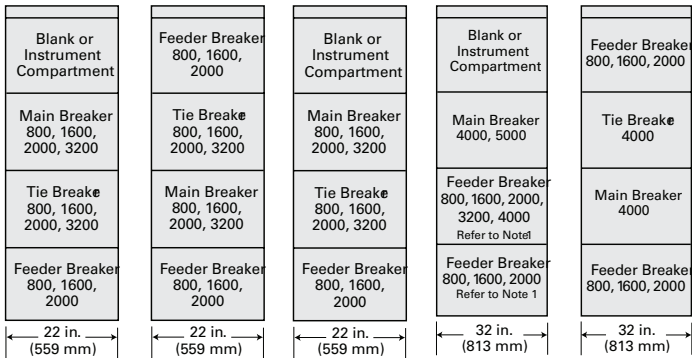
### Tie Sections – Non-Fused Breakers



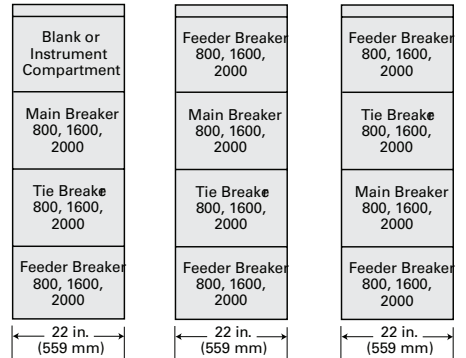
### Tie Sections – Fused Breakers



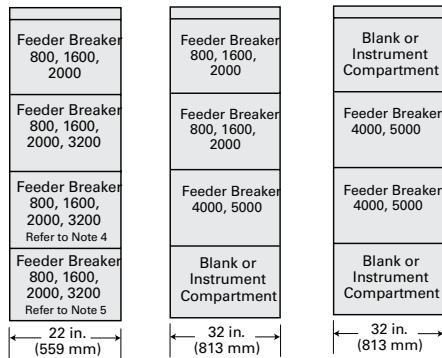
### Main and Tie Sections – Non-Fused Breakers



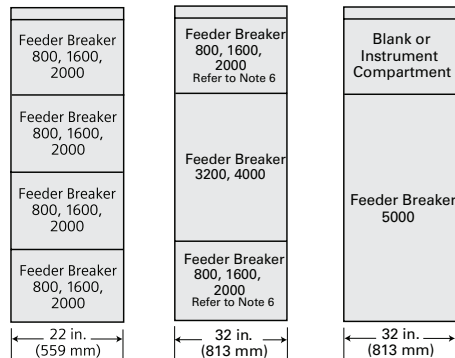
### Main and Tie Sections – Fused Breakers



### Feeder Sections – Non-Fused Breakers



### Feeder Sections – Fused Breakers



# Low-voltage Switchgear

## WL Low-voltage Metal-Enclosed Switchgear

## Shipping Weights and Dimensional Information

Siemens Type WL Low Voltage Switchgear can be configured in many ways by combining different section types. Up to five vertical sections plus a transition section can be shipped together as a unit.

Maximum shipping split length for indoor structures is 110 in. (2794 mm). If all vertical sections are not to be shipped as a unit, specifications need to be provided that describe the limiting factors (e.g., low door or narrow hallway).

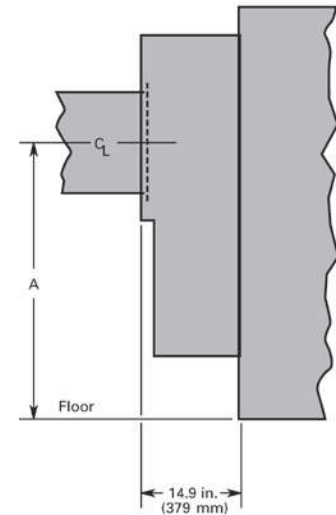
Normal indoor vertical sections are 96 in. (2438 mm) high and a minimum 60 in. (1524 mm) deep for non-fused breakers and 65 in. (1651 mm) deep for fused breakers. A top-mounted hoist, which is shipped as an accessory in a separate container, adds 6.2 in. (157 mm) for a total installed height of 102.2 in. (2596 mm).

The outdoor switchgear assembly contains the indoor assembly in an outdoor housing. The overall height is 112.8 in. (2865 mm) for non walk-in designs and 114 in. (2896 mm) for walk-in designs. The depth of a non walk-in outdoor

assembly with a 60 in. (1524 mm) internal structure is 82.3 in. (2090 mm) and the depth of a walk-in outdoor assembly with a 60 in. (1524 mm) internal structure is 110.7 in. (2812 mm). Maximum shipping split length for outdoor structures is 66 in. (1676 mm).

The major assembly sections include:

- Transition Sections — used as transition to liquid filled transformer or to outdoor dry type transformers.
- Auxiliary Sections — used as incoming bus duct or cable entrance when a main breaker is not used.
- Main Sections — used to contain main breaker and may house metering and feeder breakers.
- Feeder Sections — used to contain feeder breakers and other equipment such as instrumentation.
- Tie Sections — used to contain tie breaker and other equipment such as feeder breakers.



Front View

Transition Section For Liquid Filled and Outdoor Dry Type Transformers

	Dimension A in inches (mm)	Weight in lbs. (kg)
Intérieur	55 (1397)	500 (227)
Extérieur	61 (1549)	550 (250)

### Approximate Weight – Lbs.

Section Type	22 in. Indoor	22 in. Outdoor	32 in. Indoor	32 in. Outdoor	38 in. Indoor	38 in. Outdoor	48 in. Indoor	48 in. Outdoor
Auxiliary	1000 (450)	2000 (900)	1300 (585)	2500 (1125)	1800 (810)	3200 (1440)	N/A	N/A
Utility Metering	N/A	N/A	N/A	N/A	2 100 (945)	3 500 (1 575)	2 600 (1 170)	4 500 (2 025)
Breaker	1400 (630)	2400 (1080)	2000 (900)	3300 (1485)	N/A	N/A	N/A	N/A

Weights shown in pounds and ( ) kilograms.

Weights shown do not include weight of circuit breaker removeable element (but does include cradle).

Add 400 lbs for hoist and track.

On outdoor switchgear, add 500 lbs for end walls (weight is for both ends). Refer to shipping documents for actual weights.

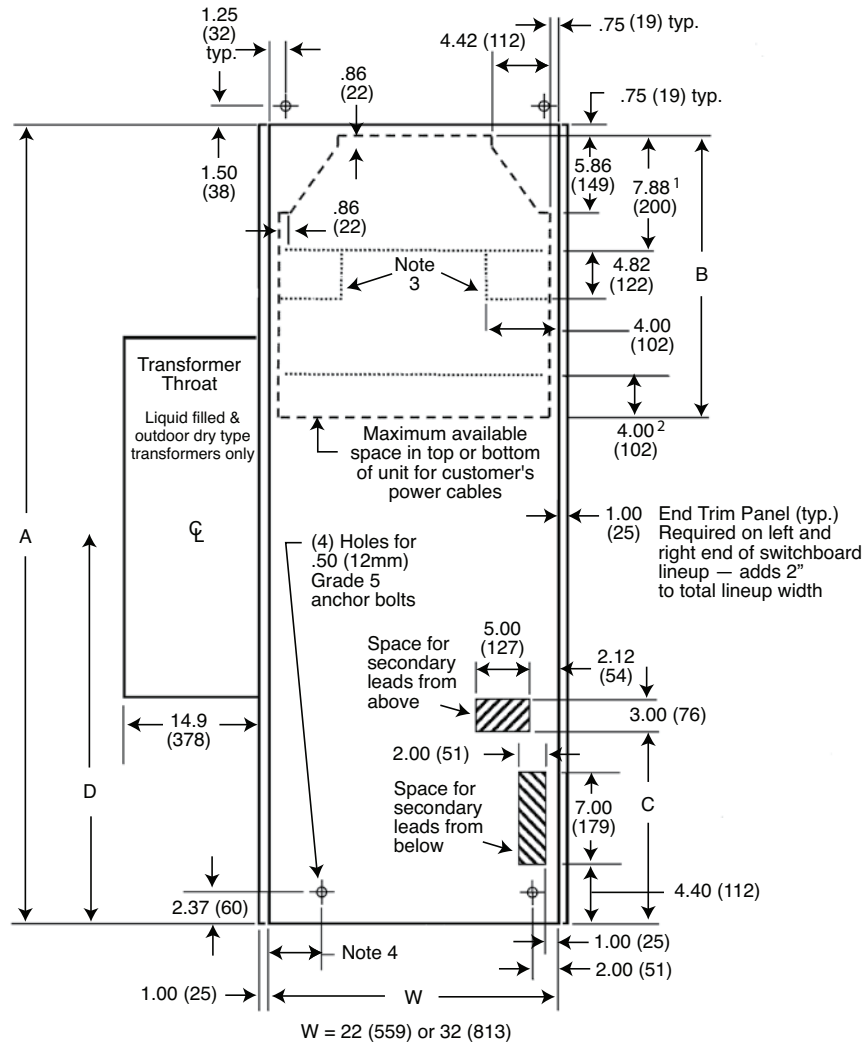


# Low-voltage Switchgear

## WL Low-voltage Metal-Enclosed Switchgear

*Dimensions*

### Indoor Floor Plan and Cable Space Details



<b>A</b> Equipment Depth	Direction of Cables	<b>B</b>	<b>C</b>	<b>D</b>
60" Non-Fused with (N, S, H or L-Class Breakers) OR 65" Fused with (F-Class Breakers)	Below	21.50 (546) <sup>①②</sup>	13.88 (353)	32.59 (828)
	Above	21.25 (540) <sup>①</sup>	18.88 (480)	37.59 (955)
70" Non-fused with (N, S, H or L-Class Breakers) OR 75" Fused with (F-Class Breakers)	Below	31.50 (800) <sup>①②</sup>	13.88 (353)	32.59 (828)
	Above	31.25 (794) <sup>①</sup>	18.88 (480)	37.59 (955)
80" Non-fused with (N, S, H or L-Class Breakers)	Below	41.50 (1 054) <sup>①②</sup>	13.88 (353)	32.59 (828)
	Above	41.25 (1 048) <sup>①</sup>		
80" Fused with (F-Class Breakers)	Below	36.50 (927) <sup>①②</sup>	18.88 (480)	37.59 (955)
	Above	36.25 (921) <sup>①</sup>		

**Note:** Dimensions shown in inches and (mm).

① Reduce by 7.88" if upper neutral is present with cables above or if a lower neutral is present with cables below.

② Reduce by 4.00" if an 800-3200A breaker is located in the bottom compartment.

Reductions per notes 1 & 2 are additive. Example: cables below + lower neutral + 2000A breaker in bottom compartment = B-11.88.

③ Reduce cable space by 4.00" x 4.82" if Neutral Riser is present. (Consult Factory).

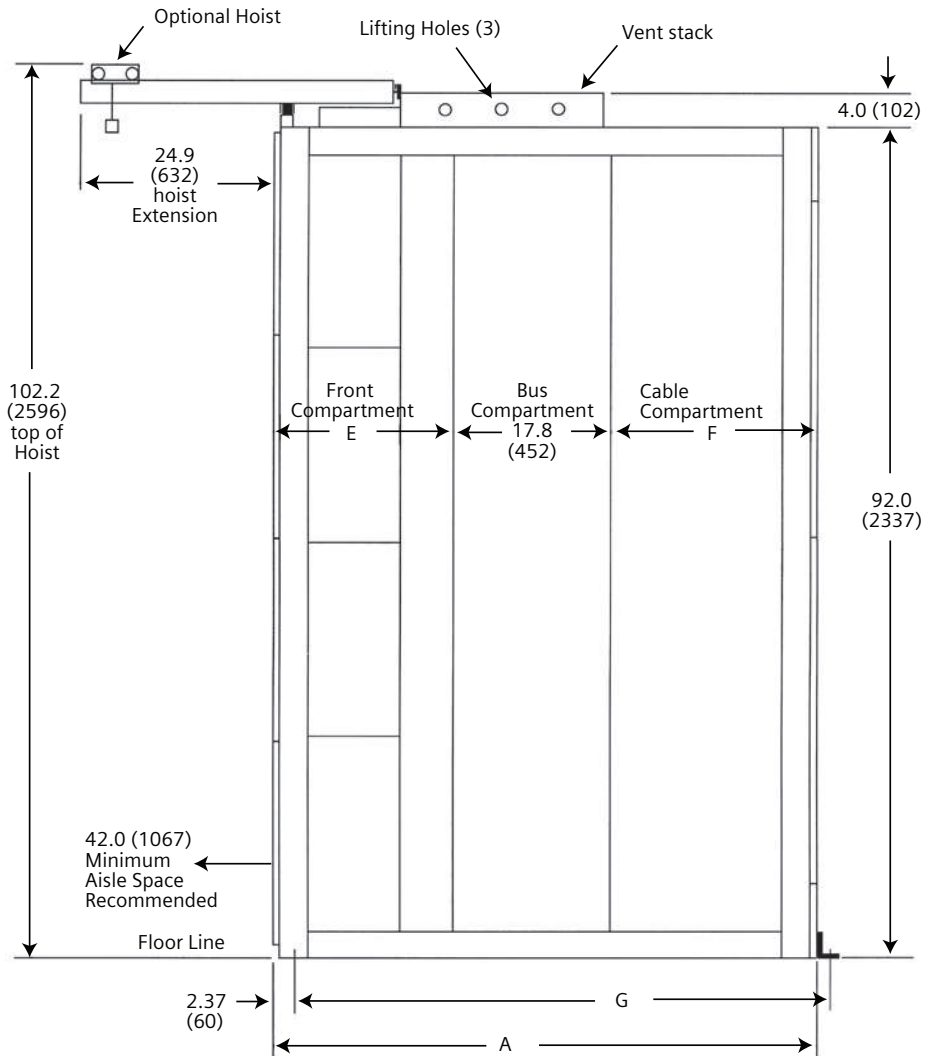
④ 4.10 (104) if W=22; 4.60 (117) if W=32.

# Low-voltage Switchgear

## WL Low-voltage Metal-Enclosed Switchgear

*Dimension*

Indoor Side View



<b>A</b> Equipment Depth	<b>E</b> Breaker Compartment Depth	<b>F</b> Rear Compartment Depth	<b>G</b> Anchor Bolt Spacing
60 (1524) Non-fused breakers	19.8 (503)	22.4 (569)	59.13 (1502)
65 (1651) Fused breakers	24.8 (630)	22.4 (569)	64.13 (1629)
70 (1778) Non-fused breakers	19.8 (503)	32.4 (823)	69.13 (1756)
75 (1905) Fused breakers	24.8 (630)	32.4 (823)	74.13 (1883)
80 (2032) Non-fused breakers	19.8 (503)	42.4 (1077)	79.13 (2010)
80 (2032) Fused breakers	24.8 (630)	37.4 (950)	79.13 (2010)

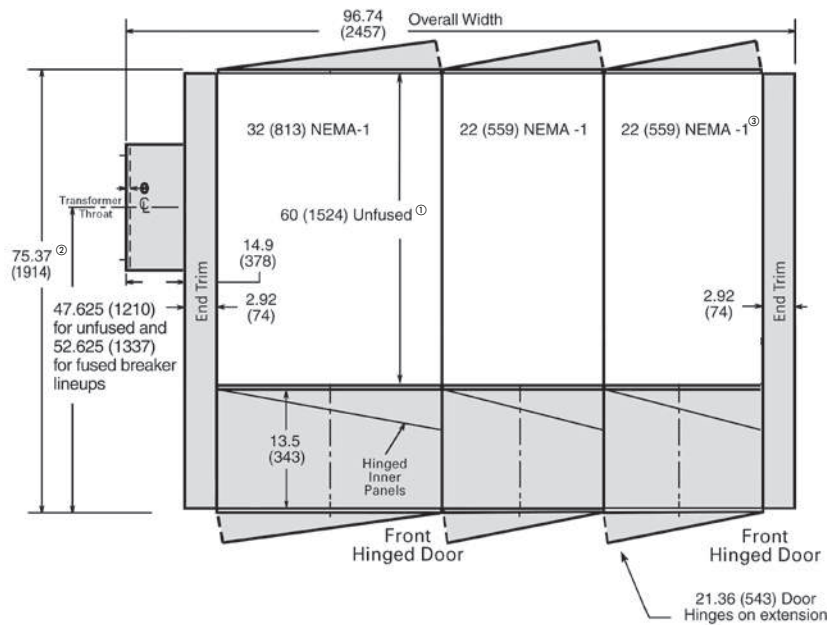
Note: Dimensions shown in inches and (mm).

# Low-voltage Switchgear

## WL Low-voltage Metal-Enclosed Switchgear

*Dimensions*

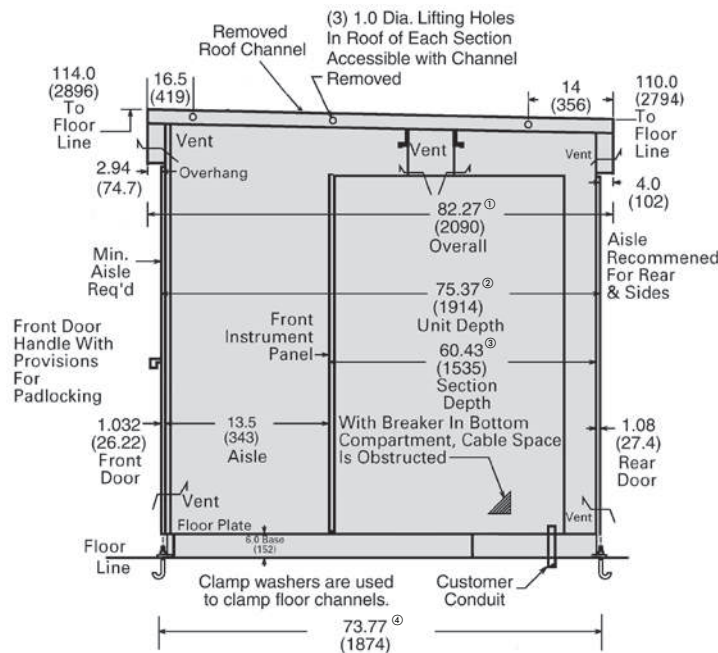
### Outdoor Non-Walk-in Floor Plan



- ① 60" is representative for a 60" deep switchgear internal structure. For other internal structure depths (65 or 75) add extra depth to 60" that is shown.
- ② 75.37 is representative for a 60" deep internal structure. For other internal structure depths (65 or 75) add extra depth to 75.37 that is shown.

③ Refer to appropriate indoor plan view for available customer conduit information.

### Outdoor Non Walk-in Side View



**Dimensions shown in inches (mm).**

- ① 82.27 dimension is based on 60" internal frame structure and if a deeper internal frame structure is used (65 or 75) the extra depth should be added to the 82.27 dimension.
- ② 75.37 dimension is based on 60" internal frame structure and if a deeper internal frame structure is used (65 or 75) the extra depth should be added to the 75.37 dimension.

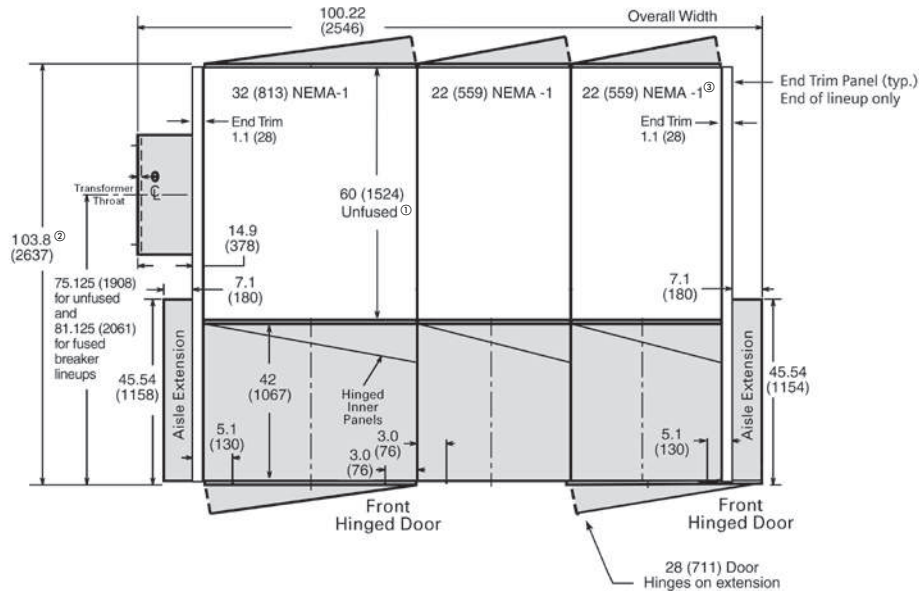
- ③ 60.43 dimension is based on 60" internal frame structure and if a deeper internal frame structure is used (65 or 75) the extra depth should be added to the 60.43 dimension.
- ④ 73.77 dimension is based on 60" internal frame structure and if a deeper internal frame structure is used (65 or 75) the extra depth should be added to the 73.77 dimension.

# Low-voltage Switchgear

## WL Low-voltage Metal-Enclosed Switchgear

### Dimensions

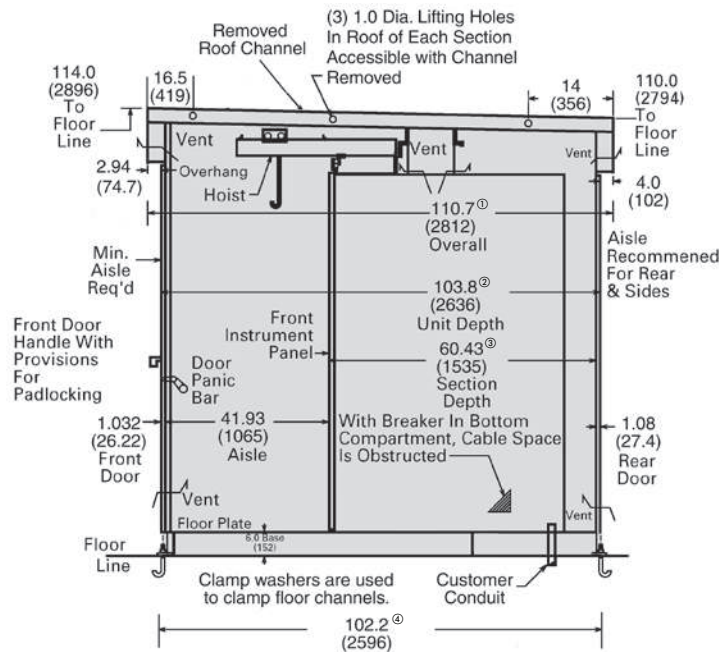
#### Outdoor Walk-in Floor Plan



- ① 60" is representative for a 60" deep switchgear internal structure. For other internal structure depths (65 or 75) add extra depth to 60" that is shown.
- ② 103.8" is representative for a 60" deep internal structure. For other internal structure depths (65 or 75) add extra depth to 103.8" that is shown.

- ③ Refer to appropriate indoor plan view for available customer conduit information.

#### Outdoor Walk-in Side View



#### Dimensions shown in inches (mm).

- ① 110.7 dimension is based on 60" internal frame structure and if a deeper internal frame structure is used (65 or 75) the extra depth should be added to the 110.7 dimension.
- ② 103.8 dimension is based on 60" internal frame structure and if a deeper internal frame structure is used (65 or 75) the extra depth should be added to the 103.8 dimension.

- ③ 60.43 dimension is based on 60" internal frame structure and if a deeper internal frame structure is used (65 or 75) the extra depth should be added to the 60.43 dimension.
- ④ 102.2 dimension is based on 60" internal frame structure and if a deeper internal frame structure is used (65 or 75) the extra depth should be added to the 102.2 dimension.

# Low-voltage Switchgear

## WL Low-voltage Metal-Enclosed Switchgear

VT, CPT, CT Data

### Voltage Transformers – External Metering and Relaying

Ratio	Accuracy Class at 60 Hz			Volt-Amp Rating	Thermal Rating VA	Hertz
	Burden					
	W	X	Y			
600:120	0.6	1.2	1.2	100	150	50/60
480:120	0.6	1.2	1.2	100	150	50/60
288:120	0.6	1.2	1.2	100	150	50/60

### Control Power Transformers – 115°C Rise

kVA	Phase	Primary Voltage	Secondary Voltage
3 5 10 <sup>①</sup> 15 <sup>①</sup>	Single	240/480	120/240

### Current Transformers for FSII WL Breaker Applications - External Metering and Relaying<sup>②</sup>

Ratio	Accuracy at 60 Hz Metering Burden (ohms)					Class
	B-0.1	B-0.2	B-0.5	B-0.9	B-1.8	
100.5	1.2	—	—	—	—	C5
150.5	1.2	—	—	—	—	C7
200.5	1.2	—	—	—	—	C9
250.5	1.2	—	—	—	—	C12
300.5	0.6	0.6	—	—	—	C15
400.5	0.6	0.6	1.2	—	—	C20
500.5	0.6	0.6	1.2	—	—	C25
600.5	0.3	0.3	0.6	1.2	1.2	C21
800.5	0.3	0.3	0.6	0.6	1.2	C29
1000.5	0.3	0.3	0.6	0.6	1.2	C35
1200.5	0.3	0.3	0.3	0.6	0.6	C20
1500.5	0.3	0.3	0.3	0.3	0.6	C25
1600.5	0.3	0.3	0.3	0.3	0.6	C27
2000.5	0.3	0.3	0.3	0.3	0.3	C34
2500.5	0.3	0.3	0.3	0.3	0.3	C20
3000.5	0.3	0.3	0.3	0.3	0.3	C21
3200.5	0.3	0.3	0.3	0.3	0.3	C20

### Current Transformers for FSIII WL Breaker Applications – External Metering and Relaying<sup>②</sup>

Ratio	Accuracy at 60 Hz Metering Burden (ohms)					Class
	B-0.1	B-0.2	B-0.5	B-0.9	B-1.8	
2000.5	0.3	0.3	0.3	0.3	0.3	C20
2500.5	0.3	0.3	0.3	0.3	0.3	C20
3000.5	0.3	0.3	0.3	0.3	0.3	C20
3200.5	0.3	0.3	0.3	0.3	0.3	C20
4000.5	0.3	0.3	0.3	0.3	0.3	C20
5000.5	0.3	0.3	0.3	0.3	0.3	C20
6000.5	0.3	0.3	0.3	0.3	0.3	C20

① Requires complete compartment.

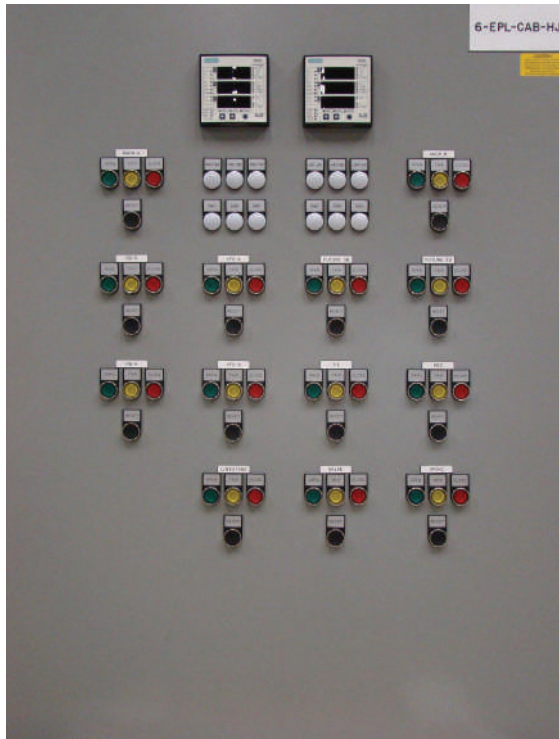
② Breaker compartment will accept 1 set of CT's each on top and bottom primary disconnects.

# Low-voltage Switchgear

## Siemens Sm@rtGear™ Low-voltage Switchgear

Introduction

### Sm@rtGear™ LVS System Architecture



The past



The future

Why settle for partial control when you can have total control and pay less? Traditional hard wired remote control panels provide additional safety for your personnel but Siemens Sm@rtGear™ LVS can provide the same breaker remote control plus remote monitoring and configuration of all embedded intelligent devices.

Siemens Sm@rtGear™ LVS is pre-configured and pre-programmed low-voltage metal-enclosed switchgear that provides out-of-the-box remote monitoring, configuration and control of embedded intelligent devices.

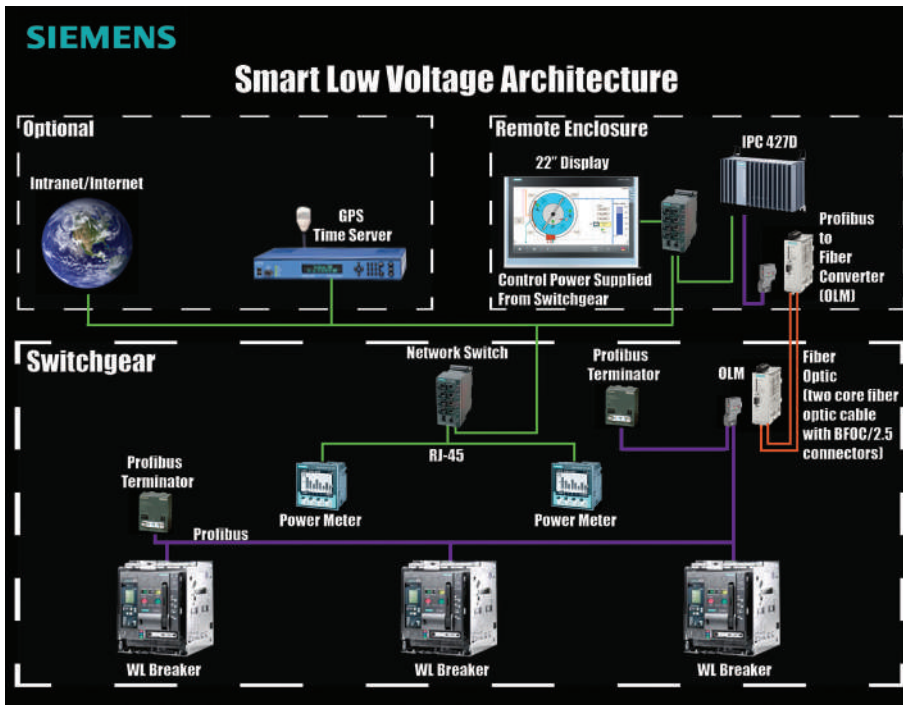
All of the Sm@rtGear™ LVS communication backbone is installed and tested at the Siemens factory and the user only has to physically connect the three communication cables that connect the low-voltage switchgear to the remotely mounted touch screen interface panel (HMI).

The remote HMI allows the user to access the intelligent devices embedded in the low-voltage switchgear. Using the HMI, the user can monitor, configure and control the intelligent devices. The Sm@rtGear™ LVS CPU acts as the local master and can also be a remote slave tied into an upstream supervisory system.

# Low-voltage Switchgear

## Siemens Sm@rtGear™ Low-voltage Switchgear

Features



### Sm@rtGear™ LVS standard features

- PC with pre-programmed software to remotely monitor, configure and control embedded intelligent devices and structural monitoring devices.
- 22" touch screen HMI pre-configured and programmed with application specific graphical user interface (application specific elevation and one-line drawings) that act as user home page.
- Communication backbone linking embedded intelligent devices, CPU and HMI.
- ETU776 trip units in all breakers with Dynamic Arc Flash Sentry (DAS) that supports arc flash incident energy reduction.
- Electrically operated breakers with spring charge motor, shunt trip and remote closing coil.
- Metering and protective relaying functionality in all breakers.

### Sm@rtGear™ LVS standard functionality includes:

- LVS one-line view
- LVS elevation view
- User Administrator
- Cell Blocking
- WL breaker control (Password or hardware enabled/disabled)
- WL breaker monitoring
- WL breaker configuration Documentation

### Sm@rtGear™ LVS optional functionality includes:

- WL breaker monitoring
- Digital meter monitoring (provided at no additional cost if digital meter is supplied)
- TPS 6 SPD monitoring (provided at no additional cost if SPD is supplied)
- High Resistance Grounding (HRG) (provided at no additional cost if HRG is supplied)
- LVS structural monitoring
- Custom Maintenance Reports



# Low-voltage Switchgear

## Siemens Sm@rtGear™ Low-voltage Switchgear

General

Siemens Type WL Low-voltage Switchgear for Marine and Offshore Applications

Siemens offers low-voltage switchgear for marine and offshore applications. Siemens Type WL Low-voltage Switchgear can be manufactured to meet ABS, USCG, DNV and Lloyd's of London standards. Additionally all Siemens Type WL Low-voltage Switchgear is built to the applicable UL, ANSI and IEEE standards.

### Equipment Ratings

- 635V AC maximum
- 3 phase 3 wire, 3 phase 4 wire
- 50/60 Hz
- 6000 amp maximum horizontal bus
- 6000 amp maximum vertical bus
- Silver plated copper bus standard – tin plated copper optional
- Standard bus bracing 100kA –optional up to 200kA

### Seismic Qualification

Seismic qualification to all major seismic construction standards (IBC, UBC, CBC, SBC, BOCA and IEEE 693) is available.

For additional Type WL low-voltage switchgear product information, including configuration information, refer to the WL Low-voltage Metal-Enclosed Switchgear Selection and Application Guide – Siemens USA Document No. LVSA-LVMES-0313.

### Additional Industry Standards Compliance

Type WL switchgear with power circuit breakers are designed, tested and constructed in accordance with:

- **UL 1558** — Metal-Enclosed Low-voltage Power Circuit Breaker Switchgear
- **ANSI C37.20.1** — Metal-Enclosed Low-voltage Power Circuit Breaker Switchgear
- **ANSI C37.50** — Test Procedure for Low-voltage AC Power Circuit Breakers Used in Enclosures
- **ANSI C37.51** — Conformance Testing of Metal-Enclosed Low-voltage AC Power Circuit Breaker Switchgear Assemblies
- **NEMA SG5** — Power Switchgear Assemblies
- **NEC** — Applicable requirements of the National Electric Code (NEC)
- **CSA** — CSA compliance with cUL labeling is available.
- **ANSI C37.20.7** — Type WL arc resistant low-voltage switchgear is available and is UL listed to ANSI/IEEE C37.20.7 Type 2B arc resistant accessibility rating with maximum internal arcing short-circuit current rating of 100kA @508V and 85kA @ 635V

WL Drawout Circuit Breakers are in accordance with:

- **UL 1066** — Low-voltage AC and DC Power Circuit Breakers Used in Enclosures
- **ANSI C37.13** — Low-voltage AC Power Circuit Breakers Used in Enclosures
- **ANSI C37.16** — Preferred Ratings, Related Requirements, and Application for Low-voltage Power Circuit Breakers and AC Power Circuit Protectors
- **ANSI C37.17** — Trip Devices for AC and General Purpose DC Low-voltage Power Circuit Breakers
- **NEMA SG3** — Low-voltage Power Circuit Breakers



# Low-voltage Switchgear

## Type WL Arc Resistant Low-voltage Metal-Enclosed Switchgear

General

WL Arc Resistant Low-voltage Switchgear  
Features, Benefits and Ratings

12

SWITCHGEAR



### Enhanced Safety

Siemens now offers arc resistant, metal-enclosed, low-voltage switchgear designed to provide an additional degree of protection for personnel performing normal operating duties in proximity to the energized equipment. Such duties include opening or closing circuit breakers, closed door circuit breaker racking, reading instruments, or other activities that do not require cover removal or opening doors (other than auxiliary/ instrument compartment doors).

### Why Arc Resistant Switchgear

Standard metal-enclosed switchgear is designed to withstand the mechanical forces generated by bolted faults on the load terminals until a power circuit breaker or other protective device can interrupt the flow of fault current. This capability is verified by short-circuit and short-time withstand tests on the equipment and interruption tests on the power circuit breakers. During a bolted fault, the voltage at the fault location is essentially zero and the fault energy is dissipated throughout the power system. The arc generated within the power circuit breaker during interruption is cooled and extinguished by the circuit breaker arc chutes. The minimal out

gassing of arc byproducts from the arc chutes is contained by the switchgear as verified by interruption tests.

Siemens arc resistant low-voltage switchgear provides an added degree of protection over standard metal-enclosed switchgear. In addition to bolted faults, Siemens WL arc resistant low-voltage switchgear is designed and performance tested to ANSI/IEEE C37.20.7 to provide protection from the hazards of internal arcing faults. An internal arcing fault can be caused by insulation degradation, insulation contamination, entrance of vermin, foreign objects coming into contact with the energized bus, or any other unplanned condition that creates an electrical discharge path through air. During an arcing fault, the voltage at the fault location is essentially the system voltage and the fault energy is focused within the switchgear enclosure. Arc temperatures can exceed 20,000 degrees Kelvin, rapidly heating the air and vaporizing metal parts. The expanding plasma creates severe mechanical and thermal stress in the equipment which can blow open doors and covers and burn through or fragment the enclosure.

### Standard Features

- ANSI/IEEE Type 2B Arc Resistant to protect personnel at the front, back and sides of the equipment.
- UL Listed, performance tested and classified as arc resistant in accordance with ANSI/IEEE C37.20.7.
- Reinforced enclosure to withstand pressure from internal arcing faults.
- Internal venting system with pressure dams and pressure vents to channel the flow of arc fault gases and vent these gases out the top of the gear and away from personnel.
- Reinforced and gasketed front doors with additional hinges and latching means.
- One piece circuit breaker compartment doors with insert panels for control devices such as fuses, indicating lights and circuit breaker control switches when required.
- Reinforced bolted rear covers.
- Insulated/Isolated bus bar system.
- Integrally designed circuit breaker door sealing frame that allows the user to rack a circuit breaker to connect, test or disconnect position without having to install additional hardware (bellows, shrouds, etc) and still maintain arc resistant rating of the apparatus.
- Shutters in circuit breaker compartments.
- Riser Base with integrated arc plenum.
- Four high power circuit breaker stacking capability. No additional stacking/configuration restrictions.
- All section configurations available. Available in solidly grounded or resistance grounded configurations.
- Non-fused non current-limiting circuit breakers allow full power coordination.

### Recommended Optional Features

**Overhead plenum with exhaust duct.**  
The system is designed to transfer the byproducts of the arcing event (smoke, particulate matter, heat, etc.) away from the immediate vicinity of the low-voltage switchgear when an internal arcing fault occurs. Typically, the

# Low-voltage Switchgear

## Siemens Sm@rtGear™ Low-voltage Switchgear

## Dimensions

exhaust duct will vent the byproducts to a location usually outside of the room in which the low-voltage switchgear is located. The overhead plenum is attached to the roof of the low-voltage switchgear, and can be exhausted in any direction (left, right, forward, backward) away from the switchgear assembly or unit substation.

**Dynamic Arc Flash Sentry (DAS).** DAS employs the unique dual parameter setting capability of the ETU776 trip unit, coupled with the ability to easily toggle to a lower arc flash parameter set. A normal operation parameter set can be optimized for selective trip coordination, while the second set is optimized for lower arc flash energy levels. The dynamic action comes from the ability to switch from the normal operation set to the arc flash limiting set based on the presence of personnel as they approach the flash protection boundary.

**Zone Selective Interlocking (ZSI).** If WL circuit breakers are arranged in several levels and minimum delays are desired, it is advisable to use the ZSI module. The circuit breakers are interconnected by these modules. In the event of a short-circuit, all circuit breakers communicate to determine and isolate the exact short-circuit location. Thus, only the closest upstream circuit breaker will be opened. The ZSI module provides the complete range of selectivity with the short delay time of  $t_{zsi} = 50$  ms. By shortening the delay time, the ZSI module significantly reduces arc duration, stress and damage in the event of a short-circuit in the switchgear.

**High resistance grounding.** Reduces available fault current during ground faults thereby reducing arc energy.

### Ratings

- ANSI/IEEE Type 2B accessibility
- Maximum internal arcing short-circuit current: 100kA @ 508V and 85kA @ 635V
- WL power circuit breaker frames range from 800A to 6000A
- 3 and 4 pole WL power circuit breakers
- Maximum arcing duration: 500 msec
- Vertical bus continuous current ratings to 6000A
- Horizontal bus continuous current ratings to 6000A
- Maximum voltage: 635V
- 3 Phase 3 Wire, 3 Phase 4 Wire
- 50/60 Hz

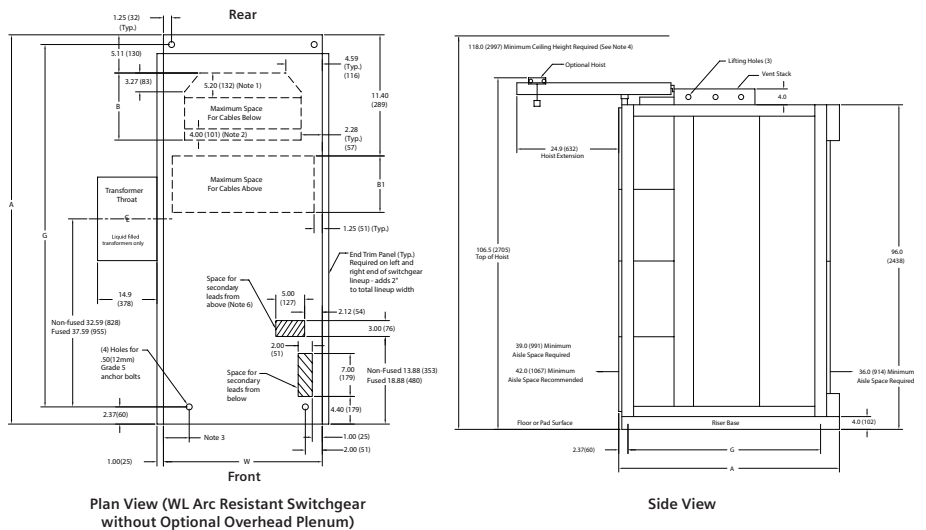
### Enclosure Type

- NEMA 1 indoor

### Industry Standards

- UL-1558
- ANSI/IEEE C37.20.1
- ANSI C37.51
- ANSI/IEEE C37.20.7
- CSA C22.2 No. 31

### Dimensional Data



$$A = \text{Equipment Depth} + 2.6 \text{ (66)}$$

Anchor Bolt Spacing

$$G = \text{Equipment Depth} - 0.88 \text{ (22)}$$

	Equipment Minimum Width W
3 Pole FS2	22 (559)
3 Pole FS3	32 (813)
4 Pole FS2	32 (813)
4 Pole FS3	40 (1016)

Equipment Depth	Cable Direction Below B	Cable Direction Above B1
60 (1524) Non-fused	20.00 (508) <sup>⓪</sup>	13.68 (347)
65 (1651) Fused	20.00 (508) <sup>⓪</sup>	13.68 (347)
70 (1778) Non-fused	30.00 (762) <sup>⓪</sup>	23.68 (601)
75 (1905) Fused	30.00 (889) <sup>⓪</sup>	23.68 (728)
80 (2032) Non-fused	40.00 (1016) <sup>⓪</sup>	33.68 (855)
80 (2032) Fused	35.00 (889) <sup>⓪</sup>	28.68 (728)

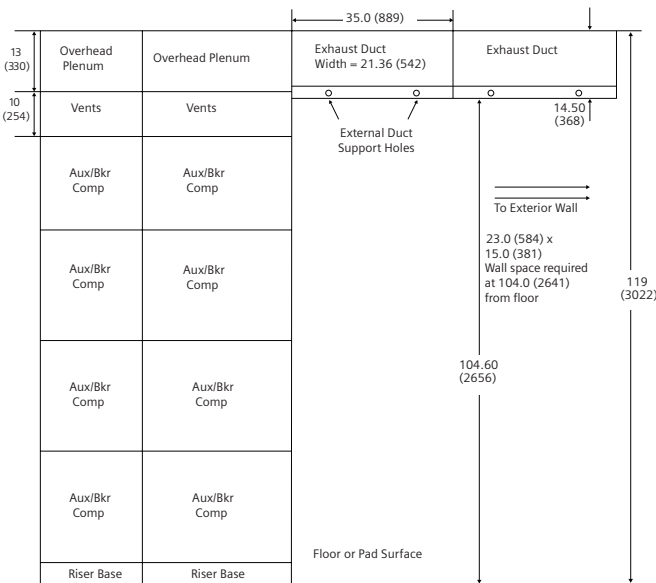
<sup>⓪</sup> Space available for cables below is reduced by 5.20 inches when a lower neutral bus is present.

# Low-voltage Switchgear

## Type WL Arc Resistant Low-voltage Metal-Enclosed Switchgear

### Dimensions

#### Dimensional Data



Front View: WL Arc Resistant Switchgear with Overhead Plenum

Note: Dimensions shown in inches and (mm).

Drawings are not to scale.

1. Space available for cables below is reduced by 5.20 inches when a lower neutral bus is present.
2. Space available for cables below is reduced by 4.00 inches if an 800-3200A circuit breaker is located in the bottom compartment. Reductions per notes 1 & 2 are additive. Example: cables below + lower neutral + 2000A circuit breaker in bottom compartment = B - 9.20
3. 4.10 (104) if W = 22; 4.60 (117) if W = 32, W = 40
4. 118 (2997) minimum room ceiling height is required for ventilation of arc products for LV Arc resistant switchgear without overhead plenum.
5. 120 (3048) minimum room ceiling height is required for LV Arc resistant switchgear with overhead plenum.
6. Not applicable for Overhead plenum application. Consult Factory for guidelines for secondary leads from above solutions.
7. Custom designed exhaust duct is provided when the exit is towards the front to clear the overhead hoist. Cross-sectional area of the exhaust duct remains same as shown in figure. Wall cutout required is same at 104 (2641) from floor.
8. Siemens to provide weatherproof box to be installed outside the exterior wall over the exhaust duct exit.
9. The area outside the exhaust duct vent needs to be kept clear of personnel and equipment due to the potential for pressurized exhaust gases being expelled in the area as a result of arc fault in the switchgear. An area of 4 feet X 4 feet centered on exhaust duct vent needs to be clear at all times.
10. Exhaust duct is not self supporting, recommended support every 6 linear feet minimum. The duct supports are not supplied by Siemens and must be supplied by the purchaser or the installing contractor.
11. LV Arc Resistant switchgear with and without overhead plenum should be installed on a solid surface to maintain the arc ratings.

#### Guide Form Specifications

- A. This section supplements Section 16435 – Low-voltage Switch gear unless otherwise noted.
- B. Comply with requirements of latest revision of ANSI/IEEE C37.20.7 – Guide for Testing Metal-Enclosed Switchgear Rated up to 38kV for Internal Arcing Faults.
- C. Arc Resistant Electrical Ratings:
  1. Nominal System Voltage: [600 V] [480 V] [240 V] [208 V]
  2. Maximum Design Voltage: [635 V] [508 V] [254 V]
  3. Accessibility Type: 2B
  4. Internal Arcing Short-Circuit Current: [85kA @ 635V] [100 kA@ 508V]
  5. Arcing Duration: 100 msec, 500 msec
- D. Arc Resistant General Construction:
  1. Indoor NEMA 1 enclosure
  2. Riser Base with arc plenum
  3. Insulated/Isolated bus bar system
  4. [Removable rear panels with captive screws.] [Hinged rear doors with captive hardware.]

5. Devices connected to the primary bus such as: surge arresters, potential transformers, control power transformers and their associated current limiting fuses must be located in the rear of the switchgear in the bus/cable compartment and not in auxiliary compartments.
6. Shutters in power circuit breaker compartments.
7. One piece circuit breaker compartment doors with insert panels for fuses, indicating lights and control switches when required.

**WARNING:** This equipment contains hazardous voltages. Death, serious personal injury, or property damage may result if safety instructions are not followed. Only qualified personnel should work on or around this equipment after becoming thoroughly familiar with all warnings, safety notices, and maintenance procedures provided with the equipment. The successful and safe operation of this equipment is dependent upon proper handling, installation, operation and maintenance.



# Low-voltage Switchgear

## Arc Flash Solutions

General

### Arc Resistant Switchgear

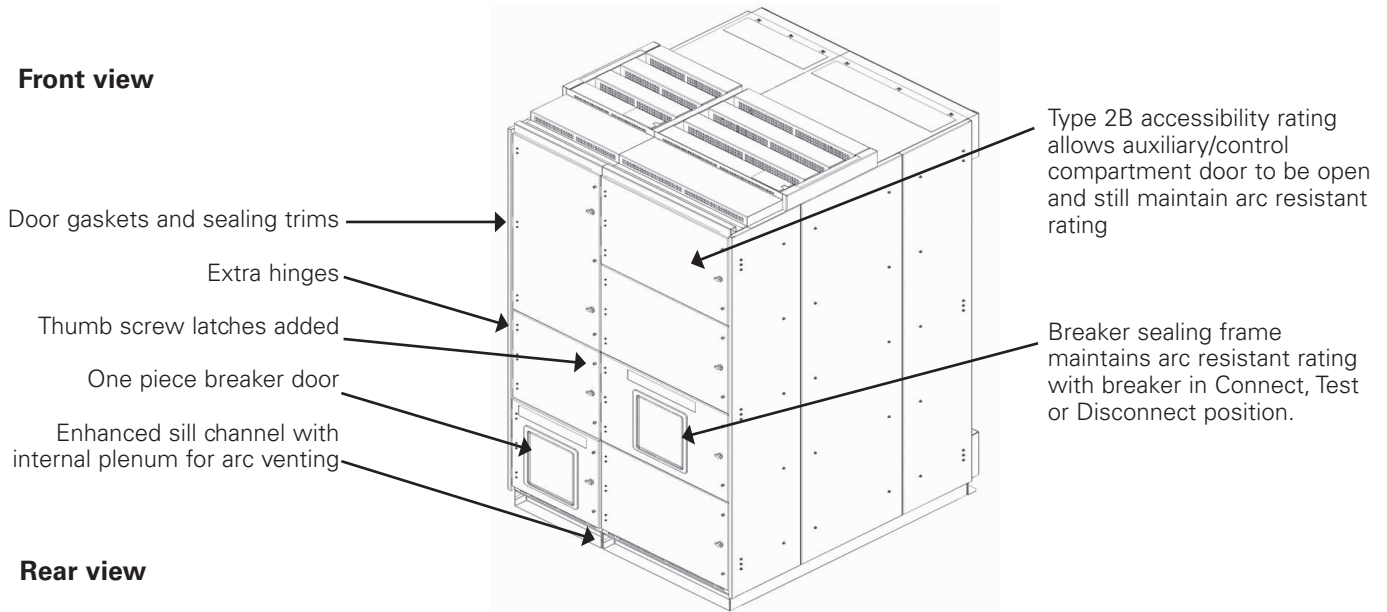
- Insulated and isolated bus
- Separation barriers and top venting
- Breaker shutters

Arc resistant metal-enclosed low-voltage switchgear is an optional product offering that contains and channels internal arcing fault energy. This new switchgear construction provides an additional degree of protection to the personnel performing normal operating duties in close proximity to the equipment while the equipment is operating under normal conditions. In each of the descriptions below, additional design features are indicated, all of which aid in directing faults upward away from personnel or reduce the chances of a fault by insulating and isolating live parts.

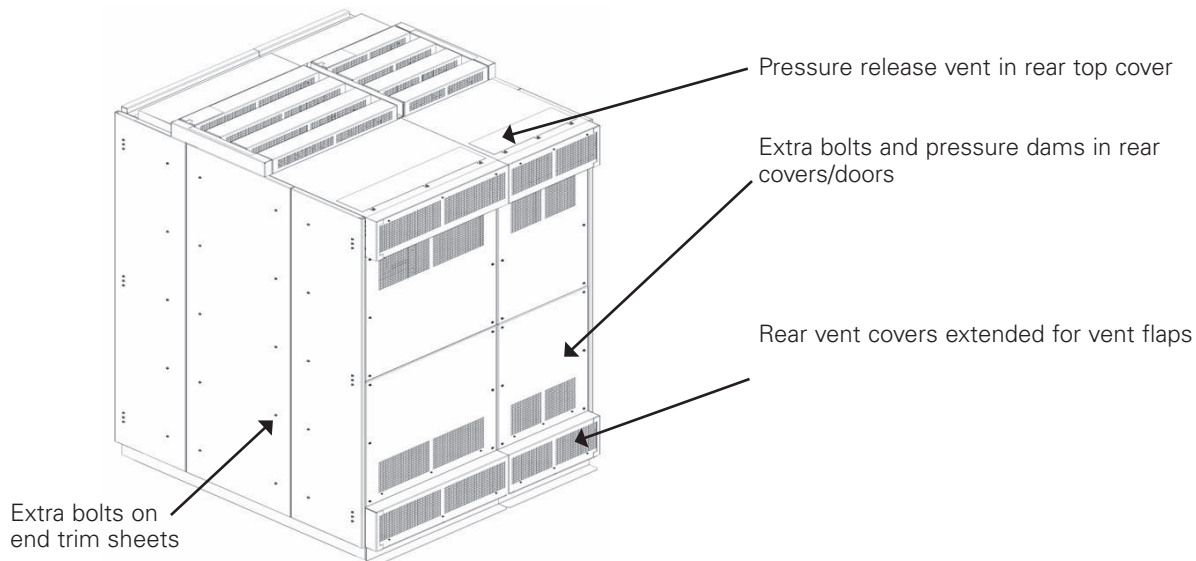


12 SWITCHGEAR

### Front view



### Rear view



# Low-voltage Switchgear

## Arc Flash Solutions

General

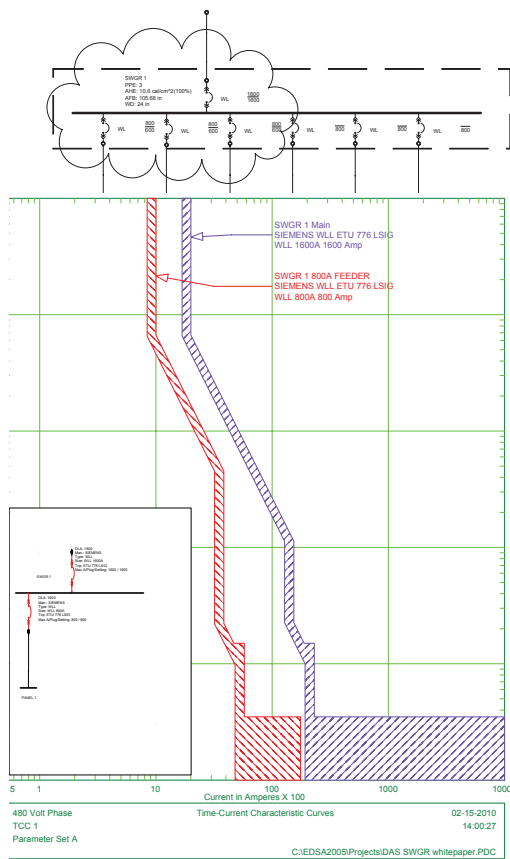
### Dynamic Arc Sentry

One of the trip units available for the Siemens WL Family of breakers is the ETU 776. It offers dual parameter sets that enable the trip unit to automatically lower the instantaneous setting and thereby lower the available energy in a fault condition. Commonly referred to as "maintenance mode", making a breaker trip faster while engaged in any form of maintenance or just by being in proximity to energized

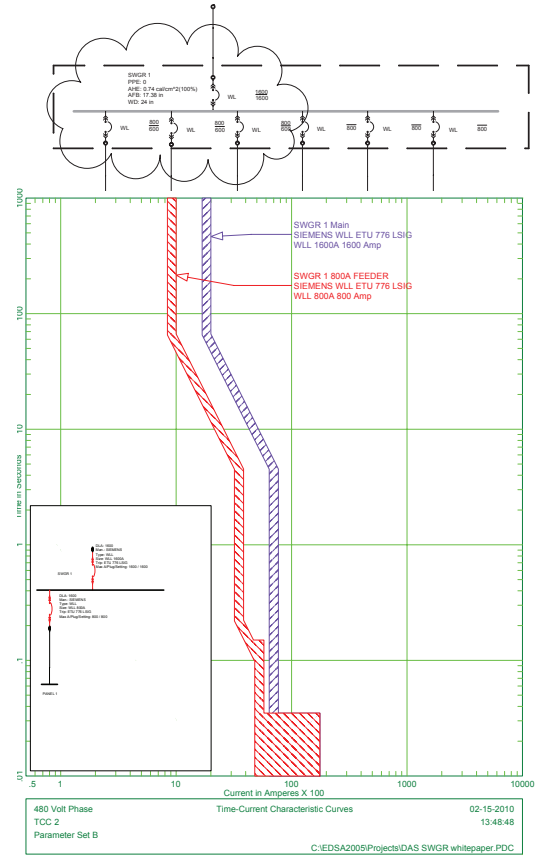
equipment is an effective way to minimize arc flash dangers. If one is concerned about the effects of temporarily inhibiting selectivity, then rest assured that with the ETU 776 single step changes are possible giving engineers the ability to clear faults faster with minimum effect on coordination. In the example below the effects of the DAS system may be seen.

SWITCHGEAR 12

### Example 1



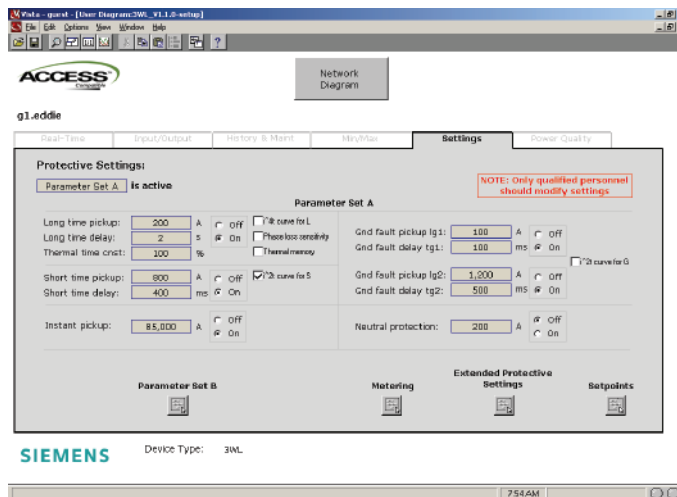
Parameter set "A"



Parameter set "B"



WL Breaker with ETU 776



Dual Parameter sets enable "maintenance mode" - can be set remotely via software or automatically via digital input.

# Low-voltage Switchgear

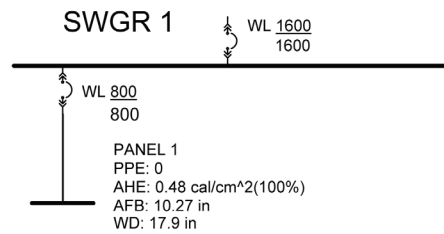
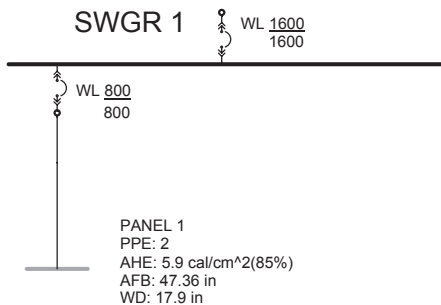
## Arc Flash Solutions

General

Under normal conditions, the switchgear's calculated arc flash energy will require PPE level 3 protection for anyone within the arc flash boundary. Incorporating the features built into the DAS system, and using the ETU776 trip unit, the system changes to parameter set B. In the second figure the instantaneous has been changed to a lower setting and the calculation shows a reduction of arc flash energy. The resultant PPE level has been reduced to 0.

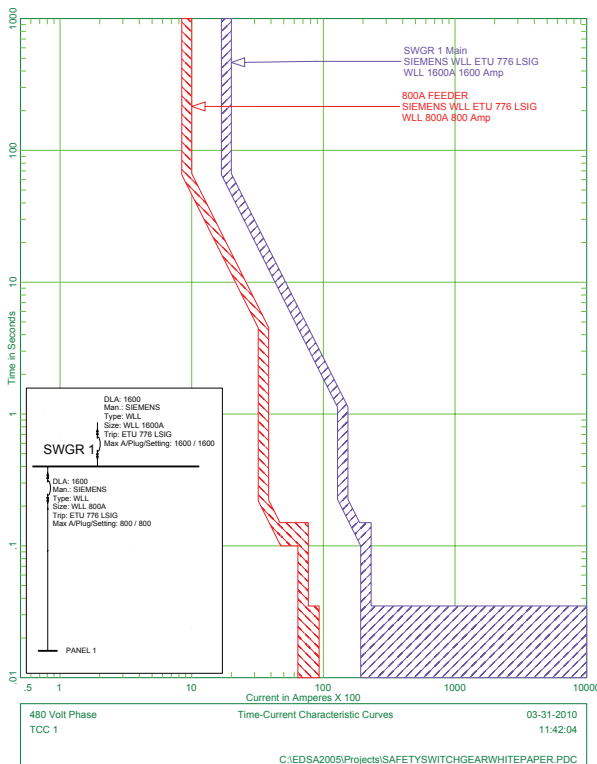
Below is another example of the benefit of the DAS, or even manual switching, of breaker parameter set. The reduced settings set available in the ETU 776 can also be used to reduce the arc flash energy at downstream equipment. In the first figure on the left with normal settings the arc energy at panel 1 requires PPE level 2. After switching to the parameter B settings, the PPE level at Panel 1 is reduced to 0.

### Example 2

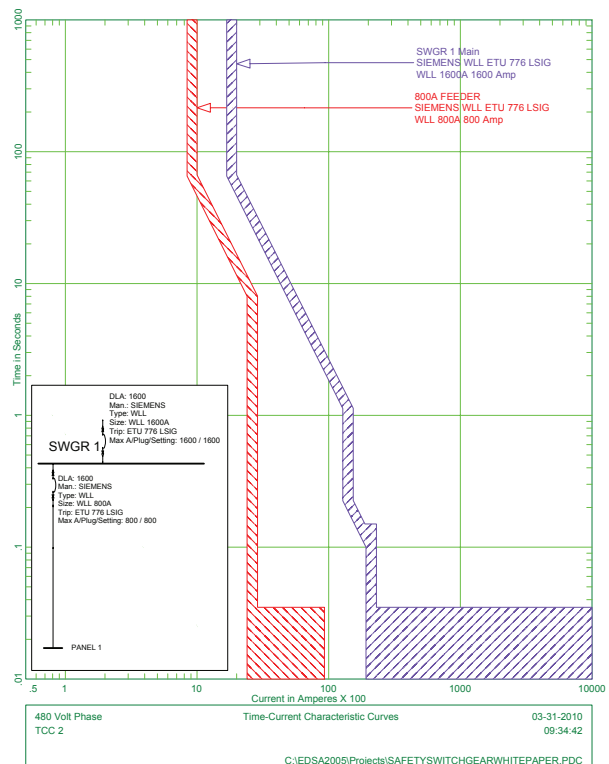


Arc Flash in parameter B

Arc Flash in parameter A



Arc Flash in parameter B





# Low-voltage Switchgear

## Arc Flash Solutions

General

### Remote operation and monitoring

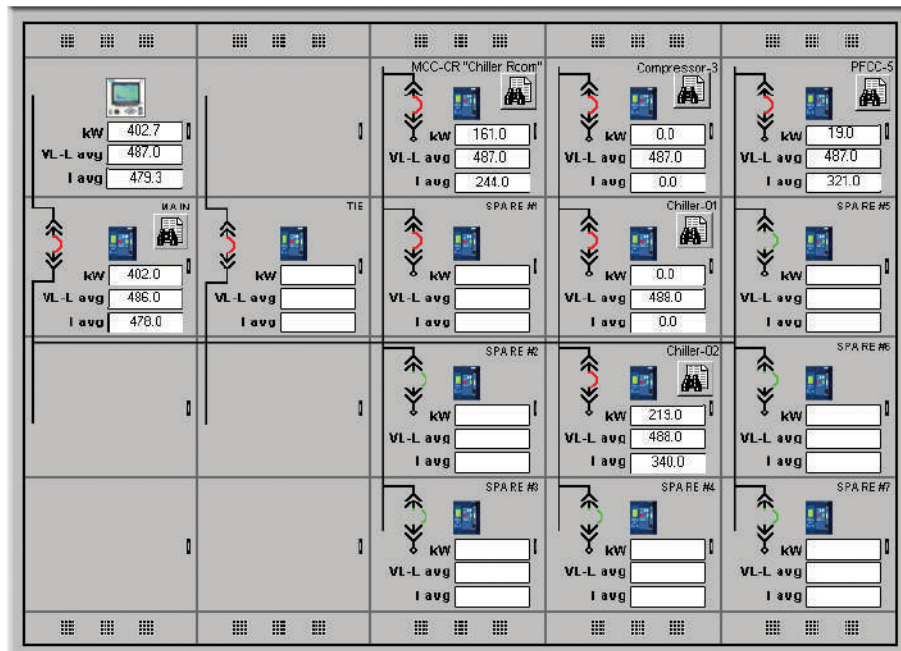
- Remote Monitoring for temperature, metering and maintenance data.
- Remote Control via communications with or without interposing relays.
- Remote Racking feature.
- Remote Operation for opening and closing via local hand held pendant station.

Remote Monitoring is an effective way to maintain separation between personnel and energized electrical equipment. With the latest equipment from Siemens, this is now easier and more cost effective than ever. Maintenance personnel and engineers can now view real-time electrical parameters, operating conditions (like temperature in the

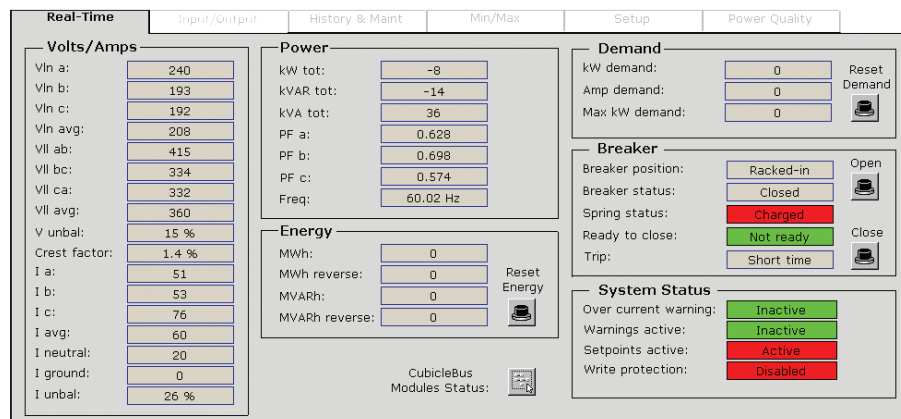
breaker and number of operations), and open and close breakers remotely. The WinPM.Net software with its Web Enabled interface allows multiple users to access only the information they are interested in from the convenience of their desks. Accountants can access cost allocation and utility billing information to enforce accountability for electrical resources and verify utility bills. Trip settings and other parameters for the LV power breakers can be modified and monitored remotely as well.

In addition, WL breakers with appropriate electrical controls and communication components, can be opened and closed through communications directly or with the use of interposing relays.

Unit sub #5 elevation



Real-time data from WL breakers with remote open/close capability



# Low-voltage Switchgear

## Arc Flash Solutions

General

### Remote Racking Device

Although it is always preferable to work on equipment that has been de-energized, in some cases it may not be practical. Siemens now offers the Remote Breaker Racking Device. This product uses an integral torque overload sensing mechanism and allows users to safely rack our WL breakers into the Connect, Test and Disconnect position from up to 30 feet away.

This allows the operator to be outside the arc flash boundary thereby providing additional personnel protection and reducing the PPE requirements. This system can be retrofitted to existing Siemens WL switchgear lineups.



Remote Racking Device

### Remote Operator Pendant

This hand held pendant allows a user to remotely operate (open/close) a WL breaker without being in front of the switchgear. Standard cable lengths are 30 feet with other lengths available. This pendant, along with the Remote Racking device, can be used to improve personnel safety by putting operators outside the arc flash boundary. Maintenance personnel can remotely open breakers and close breakers, without being in front of the equipment. The Remote Operator Pendant can be used in combination with the Remote Racking Device for added personnel safety.



Remote Operator Pendant



Control port on WL Switchgear

# Low-voltage Switchgear

## Arc Flash Solutions

General

### Other protection options

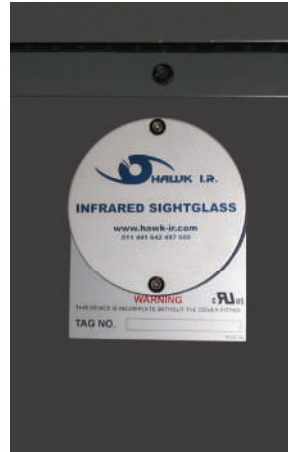
- Infrared Viewing ports
- Zone Selective Interlocking
- High Resistance Grounding

12

SWITCHGEAR

### Infrared Viewing Ports

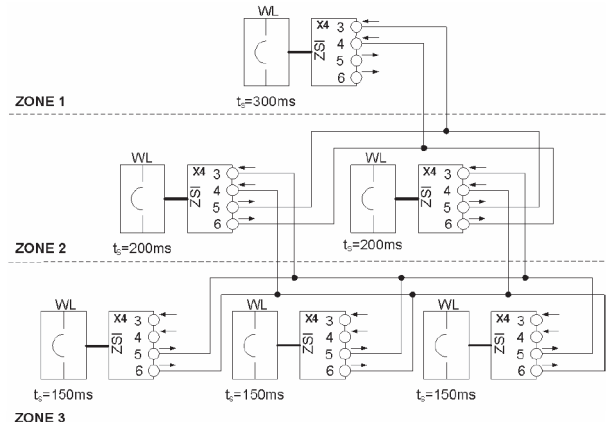
Infrared viewing ports allow maintenance personnel to monitor temperatures of the cable and bus connection points in the rear of the gear while it is energized and under load. Excessive temperatures can be an indication of a problem with a connection.



Infrared viewing ports

### Zone Selective Interlocking

Zone Selective Interlocking eliminates any intentional time delay in the event a fault occurs between two breakers in adjacent zones. In the schematic to the right, representative time delay values are shown for the breakers in each zone. If a fault occurs on the load side of the downstream breaker, the ZSI system enables the upstream breaker's delay and allows the downstream device more time to independently clear the fault. If the fault occurs on the line side of the downstream breaker (between two zones), the delay in the upstream breaker will not occur. This allows the fastest tripping time for faults and will reduce the amount of arc energy which may be released. The ZSI function is available for short time delays and ground fault delays.

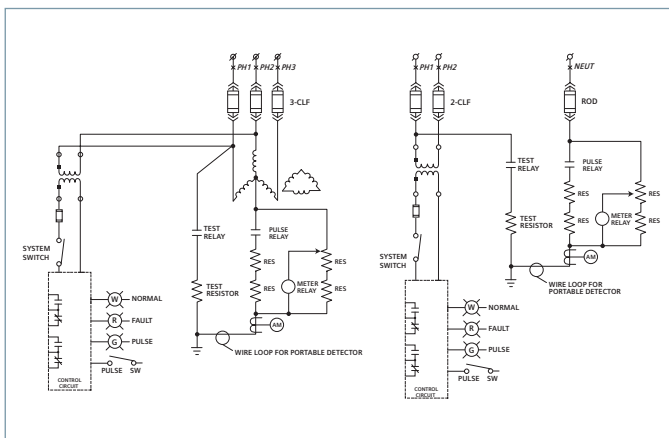


Zone Selective Interlocking

### High Resistance Grounding

Research has shown that a high percentage of arc faults start as a phase to ground fault. High resistance grounding systems minimize the available phase to ground arcing current.

A high resistance grounding system reduces the magnitude of phase to ground faults. This will reduce the mechanical stress on equipment for the most common of faults and will reduce the magnitude of energy released.





# Secondary Unit Substations

## Overview

Siemens offers a wide variety of unit substation designs to meet customer requirements. A unit substation consists of one or more transformers mechanically and electrically connected to and coordinated in design with one or more switchgear or switchboard assemblies. A secondary unit substation is defined as a unit substation whose outgoing section is rated below 1000 volts.

### A typical secondary unit substation consists of three sections:

- Primary: an incoming section that accepts incoming high voltage (2400 to 13,800 volts) line
- Transformer: section that transforms incoming voltage down to utilization voltage (600 volts or less)
- Secondary: an outgoing section that distributes power to outgoing feeders and provides protection for these feeders (600 volts and less)

### Standard secondary unit substations consist of:

- Medium Voltage Primary
- Transformer
- Low Voltage Secondary

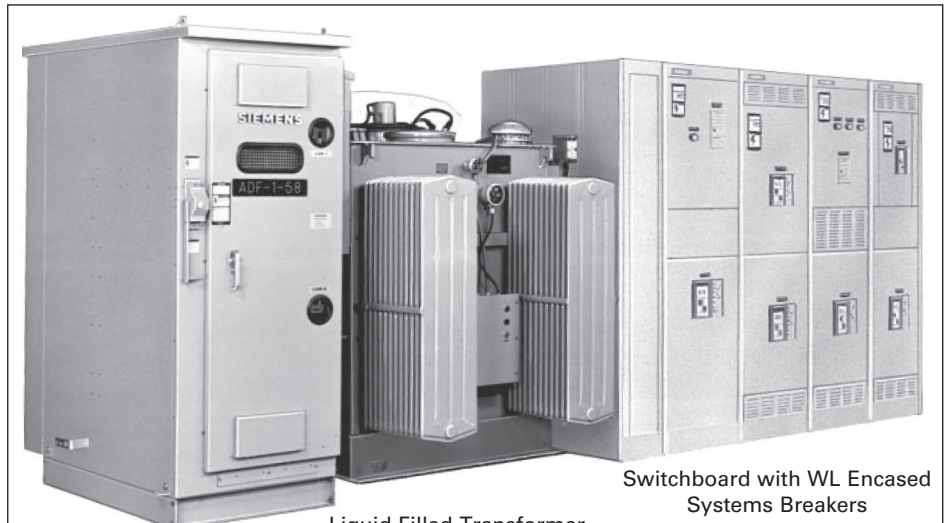
### Siemens also offers low voltage unit substations with:

- Low Voltage Primary
- Transformer
- Low Voltage Secondary

The primary reason for using a secondary unit substation is to bring power as close as possible to the center of the loads. Another reason is that it provides a system design concept incorporating a wide variety of components that permits tailoring equipment to the needs of the application. A secondary unit substation provides

- Reduced power losses
- Better voltage regulation
- Improved service continuity
- Increased functional flexibility
- Lower installation cost
- Efficient space utilization

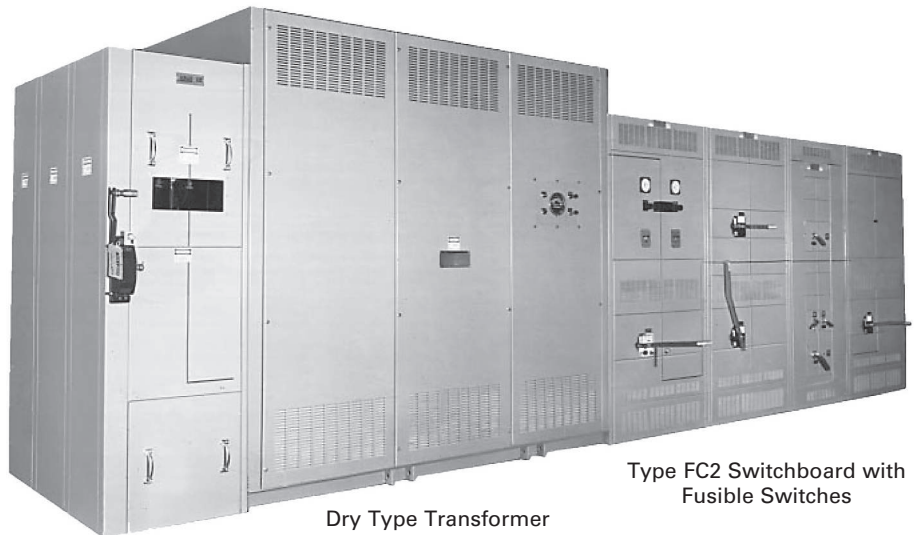
Every component and assembly of secondary unit substations are designed and engineered as an integral part of a complete system.



Primary Switch

Liquid Filled Transformer

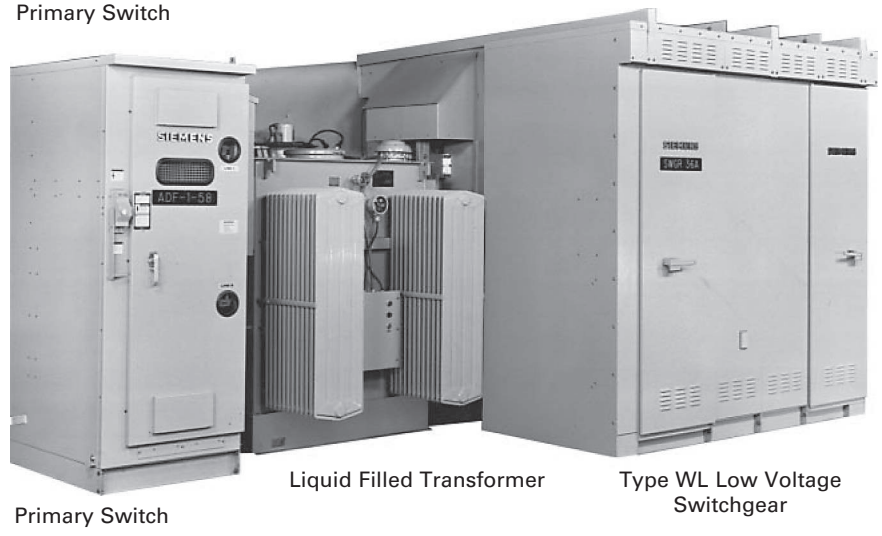
Switchboard with WL Encased Systems Breakers



Primary Switch

Dry Type Transformer

Type FC2 Switchboard with Fusible Switches



Primary Switch

Liquid Filled Transformer

Type WL Low Voltage Switchgear

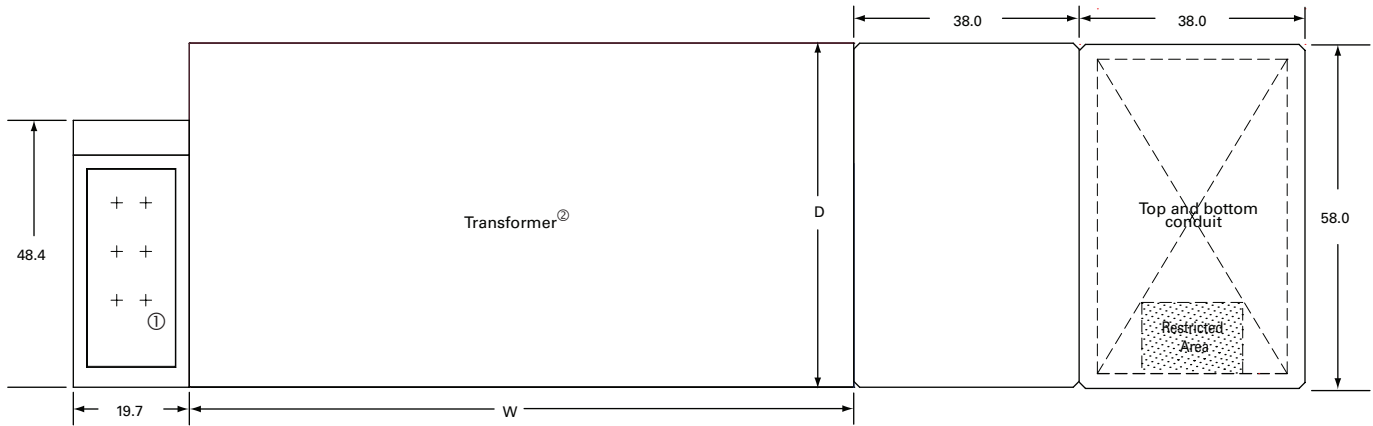
For more information, please contact your local sales office.

# Siemens Unit Substation Solutions

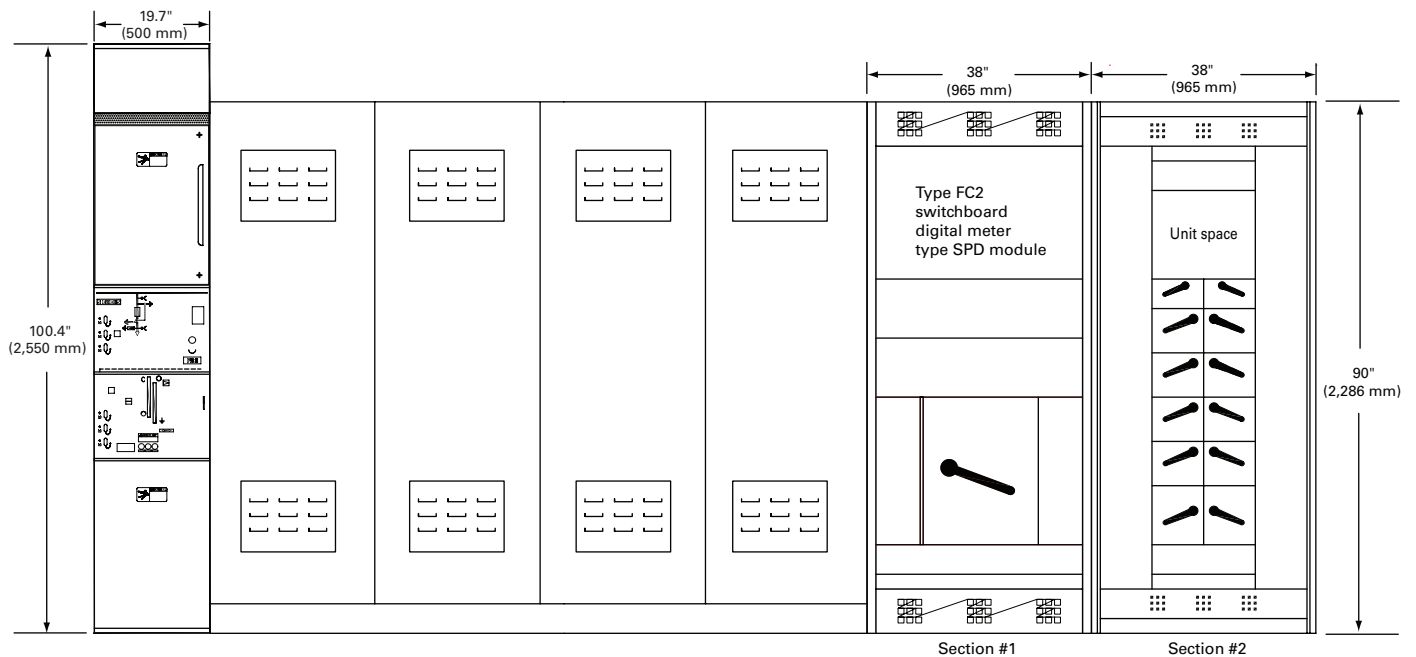
## Indoor Dry Type Transformer

Sketch Page

### Plan view



### Front view



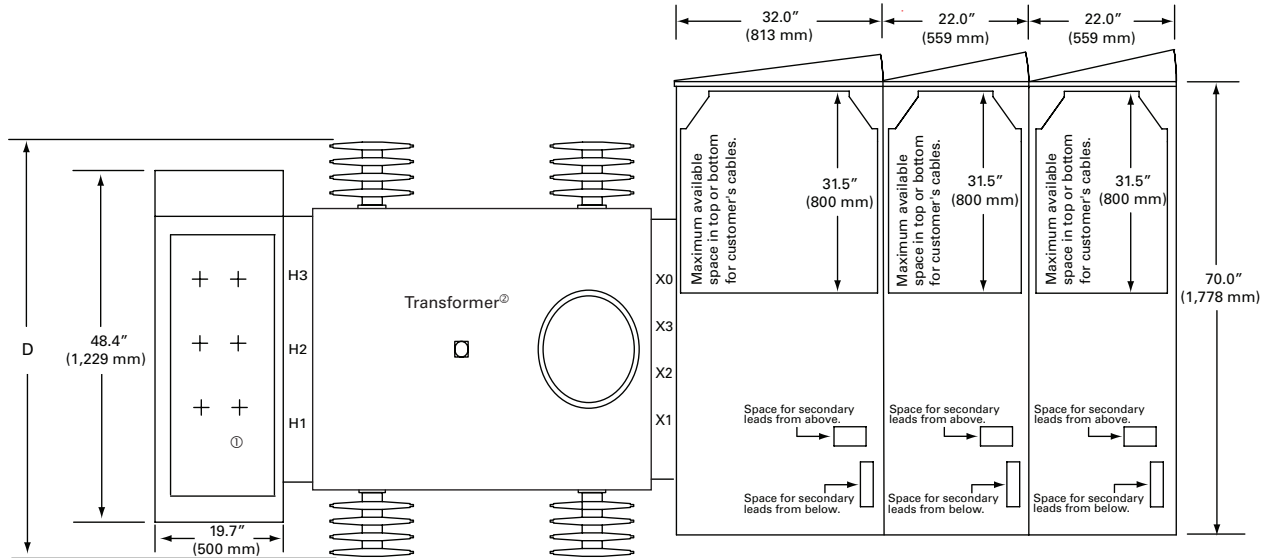
Primary Switch requires front access for top cable entry terminations.  
Transformer requires access from the front and 12" (305 mm) on the back side for ventilation space.

# Siemens Unit Substation Solutions

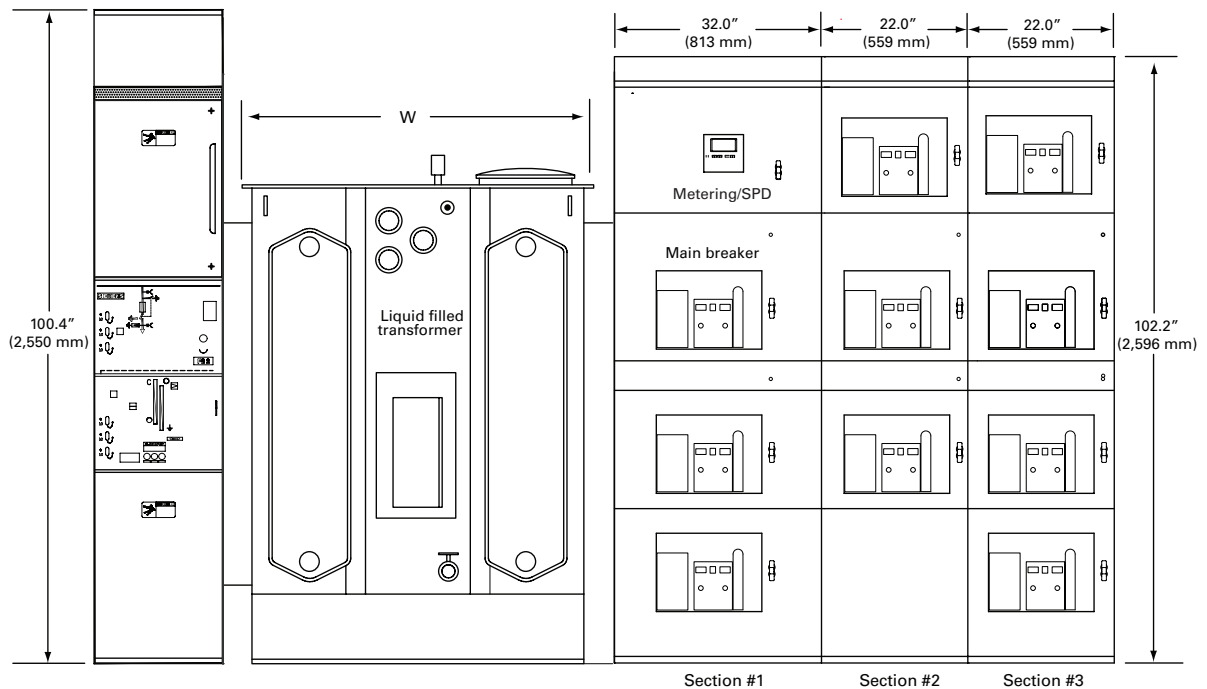
## Indoor Liquid Filled Transformer

Sketch Page

### Plan view



### Front view

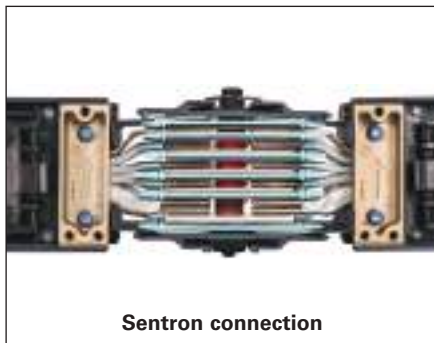


Primary Switch requires front access for top cable entry terminations.  
Transformer requires access from the front and 12" (305 mm) on the back side for ventilation space.

# Notes

---





Sentron connection



XJ-L



Bus plugs

## Contents

### Busway System Overview

Pricing Notes	13-3
Busway Selector Chart	13-4

### Sentron® Busway

Sentron Busway Overview	13-5 – 13-6
Catalogue Numbering System	13-7
Technical Data	13-8 – 13-9
Straight Sections – Plug-In, One-Sided Plug-In, and Feeder	13-10 – 13-12
Elbows	13-13 – 13-14
Offsets	13-15
Combinations	13-16
Tees	13-17
End Tap Boxes	13-18
Center Tap Boxes	13-19
Joint Mounted Tap Boxes	13-20
TBNK Fittings for Joint Mounted Tap Boxes	13-21 – 13-22
Expansion Fittings	13-23
Reducers and Phase Rotation Fittings	13-24
Service Heads	13-25
Hangers	13-26 – 13-27
Hangers and End Closers	13-28
Roof, Wall, Ceiling, and Floor Flanges	13-29
Busway Accessories	13-30
Flanges Ends	13-31 – 13-32
Combination Flange/Elbow	13-33
Cubicle Options	13-34
Panelboards and Meter Center Modules	13-35 – 13-36
Installation and Application Information	13-37- 13-39
Power II Fit Program	13-40
Quick Reference	13-41

### Sentron® Busway Systems

Sentron Bus Plug Overview	13-43
Sentron Bus Plugs – Circuit Breaker (Installed) – Catalogue Numbering System	13-44
Sentron Circuit Breaker Bus Plugs	13-45
Bus Plugs with Standard Circuit Breakers	13-46
Bus Plugs with Current Limiting Circuit Breakers	13-47
Sentron Circuit Breaker Bus Plugs Dimensions and Weights	13-48
Wall Clearance and Circuit Breaker Bus Plug Dimensions	13-49
Sentron Bus Plugs – SLVB Fusible - Catalogue Numbering System	13-50
Sentron SLVB Fusible Bus Plugs	13-51 – 13-52
Sentron Fusible Bus Plugs Dimensions and Weights	13-53 – 13-54
Wall Clearance and Fusible Bus Plug Dimensions	13-55
Sentron SPD Bus Plugs	13-56
Sentron SPD Bus Plugs – Catalogue Numbering System	13-57
Sentron SPD Bus Plugs Dimensions and Weights	13-58
Sentron 3/6 Bus Plugs	13-59
Sentron 3/6 Bus Plugs – Circuit Breaker (Installed) - Catalogue Numbering System	13-62
Sentron 3/6 Bus Plugs – Product Configurations	13-61
Sentron 3/6 Bus Plugs Dimensions and Weights	13-62 – 13-63

## Contents

---

### XJ-L™ HD Busway System

Introduction and Overview	13-64 – 13-65
Busway Specifications	13-66
Straight Sections	13-67 – 13-68
Elbows	13-69
Tees and Crosses	13-70
Tap Boxes	13-671 – 13-72
Flanged Ends	13-73
Accessories – Hangers, End Closers, and Outlet Covers	13-74

### XJ-L™ HD Bus Plugs

Selection Guide and Catalogue Numbering System	13-75
XQ and XQR Series	13-76
XPM Series	13-77
XEC and XLEC Series	13-78
XLVB Series and Plug-In Tap Box	13-79

### Busway Power Distribution

BD® Plug-In (225 – 1600 Ampere) Copper	13-80
XL-U® Aluminum (225–5000 Ampere)	13-81
XL-U® Copper (225–6500 Amperes)	13-82
XL-X®, XL-U®, BD® Plug-In Units	13-83 – 13-84

# Busway Systems Overview

## Pricing Notes

General

### A. Footage Pricing

1. Sentron and XL-U base pricing is listed on a per foot charge. When calculating the footage charge, fractions are rounded to the larger whole number (i.e., a linear run totaling 66'3" would be priced at 67 feet.
2. BD and XJ-L HD base pricing is listed on a per section charge.

### B. Accessories

Some busway accessories are listed as complete device prices while others are listed under accessory charges.

1. Complete device price includes all material and accessory charges for a standard device. (Busway footage included if applicable).
2. Accessory Charge includes fabrication and any miscellaneous fittings for the standard device. (No busway footage included).

**C. End Cable Tap Boxes** are designed to be installed at the beginning or end of a busway run. The busway rating determines the tap box list price. Mechanical lugs are standard. For compression lugs add 30% to tap box list price.

**D. Elbows** with an angle other than 90 degrees, the accessory charge is to be doubled.

**E. Flange Ends (Switchboard Connections / Stubs)** accessory prices are for connection to Siemens equipment. For connection to other manufacturer's equipment, multiply the flange end list price by 2.5. Standard list price includes eight inches of bus extension into equipment from mounting flange, if more than 8 inches are required, consult factory for pricing. Sentron Switchboards can be assembled with the Busway Flanged End pre-installed, eliminating the labor to connect the Busway to the switchboard at the job site.

**F. Service Heads** are specially constructed tap boxes suitable for outdoor use and are equipped to accept service cables through a removable insulated bottom plate. The busway should be priced through the end of the run.

**G. Phase Transpositions** can be built into a busway section to provide better voltage balance on long runs. To price, use the "Expansion Section" accessory charge for the appropriate ampere rating.

### H. Hangers

Sentron and XL-U busway are UL listed for standard hanger spacing of ten feet (on center). Purchasing busway hangers for horizontal installations is optional. Unistrut/Kindorf is commonly used by contractors as an approved alternative.

Two hangers are furnished free of charge with every straight section of BD and XJ-L HD. Self compensating "Spring" hangers required for vertical installations are designed to be field installed by the installer and are shipped separately. These are also used as intermediate supports where floor-to-floor height is greater than 16 feet.

**I. Ceiling, Floor And Wall Flanges** are used when busway passes through a floor or wall and are intended to cover that portion of the opening around the outside of the busway. **They are not to be used to support the busway.**

**J. Reducers** price is determined by the rating of the larger busway. Fused reducers do not include fuses.

**K. Special Paint — Busway Sections, Accessories And Bus Plugs** Standard finish is ASA #61 light gray. For other than standard color, add 20% and consult factory for availability. XJL HD Busway is offered in ASA#61 Gray and Graphite Gray.

**L. For Silver Finishing of Copper Bus Bars**, add 10%.

**M. Roof Flanges** are specially constructed collars and plates built onto a section of 3R busway which passes through a flat or angled roof. Roof pitch must be given for angled roof.

**N. Circuit Breaker Type Bus Plugs** for Sentron Busways are priced as "complete devices" with circuit breakers factory installed. Circuit Breaker plugs for BD, XL-U and XL-X busways are priced "enclosure only". XJ-L HD may or may not have a circuit breaker and receptacle installed, depending upon the bus plug type.

**O. Fusible Type Bus Plugs** do not include fuses. Adapter kits for Class R, T & J fuses are available for field installation.

**P. Cubicle** list prices include labor and material for a single frame device with enclosure including line side internal bussing for connection to busway and protective device. Fuses and load side bussing are not included in the base price.

**Q.** Sentron Busway has been tested in accordance with UL1479 and offers a certified two hour fire rating for gypsum wall board construction, and a three hour fire rating for concrete slab or block penetrations. These ratings were achieved using standard busway installed with SpecSeal® sealant from Specified Technologies Inc. This material is available through Electrical Distribution.

### R. Expansion Section

Qty (1) Expansion Section should be used for every 200ft of continuous Busway run length, at every transition to a vertical run, and for each building expansion joint. The Busway run must be positioned accordingly to accommodate the Expansion Section(s).

# Busway Systems Overview

## Busway Selector Chart (100-6500 Ampere)

General

I-T-E (previously known as Bulldog Electric) was the first manufacturer to make a Busway System. Since its introduction in 1932, Busway Systems have improved and expanded into several designs to meet

the ever changing needs of the electrical industry. The Busway Selection Chart below will help you in selecting the proper product to fit your requirements.

### Busway Selector Chart

100-6500 Ampere

600 Volts or Less

Feature		Product			
		Plug-in and Feeder Busway			
		Sentron Plug-in/Feeder	XL-U Plug-in/Feeder	XJ-L HD Plug-in	BD Plug-in
Ampere Rating	100	-	-	✓	-
	150	-	-	-	-
	200	-	-	-	-
	225	✓	✓	✓	✓
	400	✓	✓	✓	✓
	600	✓	✓	-	✓
	800	✓	✓	-	✓
	1000	✓	✓	-	✓
	1200	✓	✓	-	✓
	1350	✓	✓	-	✓
	1600	✓	✓	-	✓
	2000	✓	✓	-	-
	2500	✓	✓	-	-
	3000	✓	✓	-	-
	3200	✓	✓	-	-
	4000	✓	✓	-	-
	5000	✓	✓	-	-
6000, 6500	-	✓	-	-	
Conductor	Copper	✓	✓	✓	✓
	Aluminum	✓	✓	✓	✓
Use	Indoor	✓	✓	✓	✓
	Outdoor	✓	✓	-	-
AC Service 50-60 Hz 400Hz <sup>①</sup>	2W	-	-	-	-
	1Ø3W	-	-	✓	-
	3Ø3W	✓	✓	✓	✓
	3Ø4W 100% N	✓	✓	✓	✓
	3Ø4W 200% N	✓	✓	✓	✓
Voltage	600 volts or less	✓	✓	✓	✓
Construction	Ventilated	-	✓	-	-
	Non-Ventilated	✓	✓	✓	✓
Meets Electrical Standard	UL 857	✓	✓	✓	✓
	NEMA BU1	✓	✓	✓	✓
	CSA/CUL C22.2 NO 27	✓	✓	✓	✓
	ANCE NMX-J-148ANCE	✓	✓	✓	✓

① Consult factory for information.

# Sentron® Busway Systems – Reference Information

## Sentron Busway Overview

Overview

### Sentron Busway for Global Power Distribution Applications

Building on a solid foundation of advanced products for the construction industry, the Siemens Sentron name is recognized worldwide as synonymous with quality and consistent performance. Sentron Busway delivers impressive features and benefits that make it ideal for many types of industrial and construction implementations.

Engineered to ensure the safe and efficient distribution of power in industrial, commercial and institutional environments world-wide, Sentron ampacities range from 225A to 5000A UL. Thanks to an innovative design, you benefit from labor-saving installation and a flexible, compact bus system that is an ideal fit for most applications. In fact, Sentron Busway is one of the industry's least labor-intensive systems.

Sentron Busway installs with minimal hardware and often costs less than cable and conduit installations. The lightweight aluminum housing acts as an integral ground, joint stacks connect with splice plates featuring a single-bolt design, and bus plugs and cable tap boxes offer the industry's largest wire bending space. An optional 200% neutral within the bus bar housing accommodates harmonics common in today's power systems.

Sentron Busway conductors are insulated with a state-of-the-art epoxy insulation system, which is applied using an electrostatic spray process for optimal insulation integrity.

Exemplifying the spirit of continuing innovation, Sentron Busway is now available with economical and convenient elbow stacks for changing left, right, up or down directions at 90 degrees.

And, of course, Sentron Busway is certified to design standards worldwide, including UL, NEMA, IEC, CSA, VDE and BS.

Siemens Busway Business uses industry leading technology in all its manufacturing processes. From bus bar fabrication to Electrostatic Spray Epoxy insulation, all the processes used in the manufacturing of Siemens Sentron Busway are electronically controlled to provide for consistent, high quality results, making Sentron Busway products best in its class.

#### Housing

Sentron Busway incorporates an all aluminum housing. This lightweight totally enclosed, non-ventilated housing resists rust and other elements, distributes heat away from the conductors, and provides an excellent ground path. The totally enclosed design also eliminates the need for derating of the system regardless of installation orientation. The housing is covered with an electrostatically applied light gray ANSI 61 polyester urethane powder paint that is scratch resistant and has a 1,000-hour salt spray resistance rating.

#### Conductors

Sentron Busway conductors have a compact construction and can be configured as 3-phase 3-wire, 3-phase 4-wire or 3-phase 4-wire with 200% neutral. The conductors may be ordered in copper (98% conductivity), 1000A/in<sup>2</sup> M-Rated Copper, Aluminum (58% conductivity) and 750A/in<sup>2</sup> L-Rated Aluminum. The optional 200% neutral helps to handle harmonic conditions that may exist. This system is especially useful with discharge lighting (fluorescent) and computer installations. This will help to minimize overheating and prolong the life cycle of your power distribution equipment.

#### Ground

Sentron Busway offers ground options to meet your specifications: standard integral aluminum housing ground and optional internal grounding bars. An optional isolated ground is also available which is especially useful in applications where a clean ground is needed (such as hospitals or high tech).

#### Plating

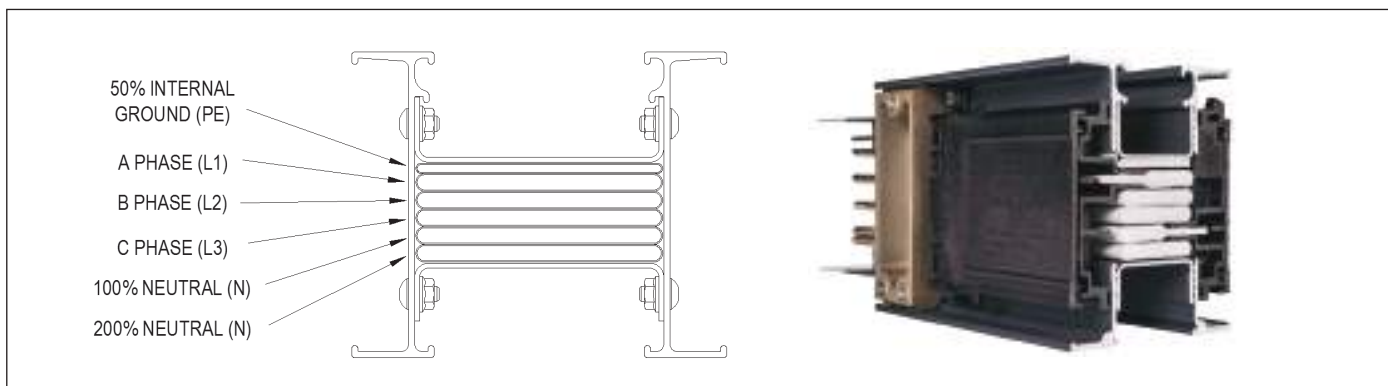
All bus bars are electroplated with tin. This unique tin plating provides excellent conductivity and prevents impurities from attaching to the bars. Optional silver plating is also available.

#### Insulation

Sentron Busway is insulated with an Epoxy Powder Coating system designed by Siemens Engineers, Epoxy System Engineers and Epoxy Powder Specialists, specifically for Siemens Busway products.

The Siemens exclusive Electrostatic Spray insulation process produces uniform application of Epoxy powder over the entire conductor bar. This is further enhanced by the inline filter process and magnetic separator that helps to eliminate contaminants common to fluidized bed systems. The electrostatic application also provides a better coating consistency than that of the older fluidized bed process. The combination of electrostatic spray and lower oven temperatures produces a consistent coverage with fewer impurities and pinholes in the insulation. The lower oven temperatures reduce the risk of bar annealing, which affects the overall quality of the system.

Sentron Busway insulation is Class B, 130°C Rated. Every bus bar and completed assembly is dielectric tested to ensure the insulation is free of defects.





# Sentron® Busway Systems – Reference Information

## Sentron Busway Overview

Overview

### Joint Stack

Each Sentron Busway piece is shipped with a joint stack and joint covers installed at one end of the busway and a shipping end protector at the other end. The joint stacks feature a single bolt design and a special, torque indicating, double headed break-off bolt. This eliminates the need for torque wrenches and assures proper torque at installation of 50 ft.-lbs.(68 N-m).

When the proper torque value is achieved, the top bolt head will shear off. Each joint stack allows for +/- .625 inches (15.8mm) adjustability at each joint. Over adjustment is prevented by the joint covers, which will only allow a .625 inch (15.8mm) adjustment when the knockouts on the joint cover are removed.

It is possible to remove any joint connection assembly to allow electrical isolation or removal of a busway length without disturbing adjacent busway lengths. Isolation joint stacks are available and used to electrically isolate a busway section(s) within a busway run. For easy visual identification, isolation joint stack assemblies are painted white.

### Plug-in Opening

Sentron Busway offers plug-in style busway which feature plug-in openings rated for finger safety to IP2X in accordance with IEC 529 and BS EN 60439-1, -2 and BS EN 60529.

Each plug-in opening has a reversible hinged dead front designed to protect the contact surfaces from dirt, dust or moisture. Gasketing is used where applications require a splash proof (IP55) rating.

### IP Ratings

Sentron Busway is available in a variety of IP ratings. Use the chart below to determine the IP rating that best fits your application needs.

### Testing

Each piece of Sentron Busway is factory tested before shipping. Tests performed include dielectric tests, which are used to ensure integrity of insulation. In addition, Sentron Busway is tested in accordance with both UL and IEC standards. All Sentron Busway is manufactured and inspected in an ISO 9001:2000 registered facility.

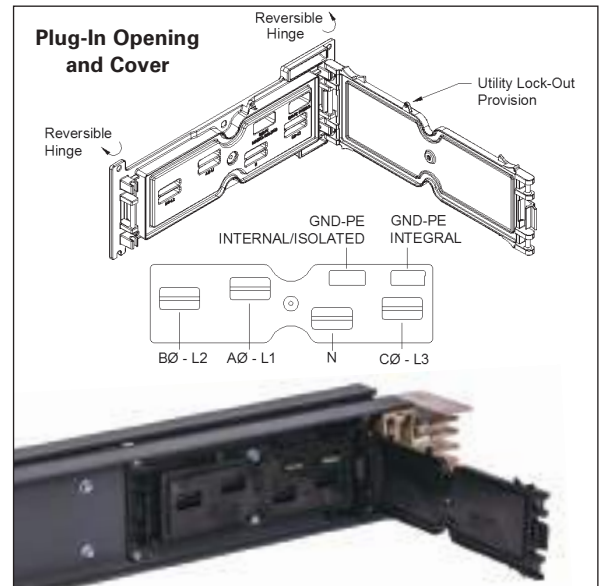
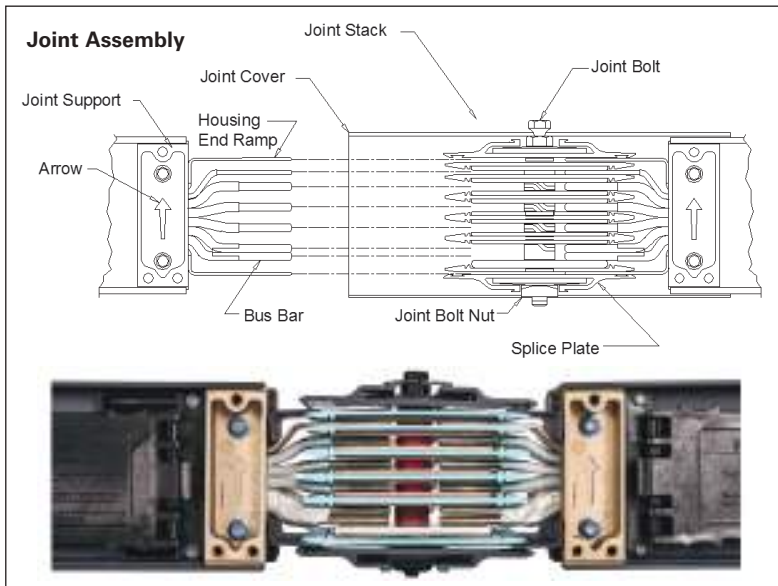
### Standards

All Sentron Busway products meet the following standards:

- UL 857
- NEMA BU1
- CSA C22.2
- IEC 60529 (2004)
- BS EN 60529
- BS EN 60439-1, 60439-2
- UL 1479
- DIN 4102 Parts 9&12
- BS 6387 Parts 11.1 and 11.2

### Labor Savings

Using Sentron Busway instead of cable and conduit can create savings of up to 20 - 30% on total installed costs. Sentron busway is lightweight, compact and takes half the time to install as cable and conduit. Siemens Busway Systems Cable Conversion Program will show you side by side comparisons of busway vs. cable/conduit. For more information, visit our web site at [www.sea.siemens.com](http://www.sea.siemens.com).

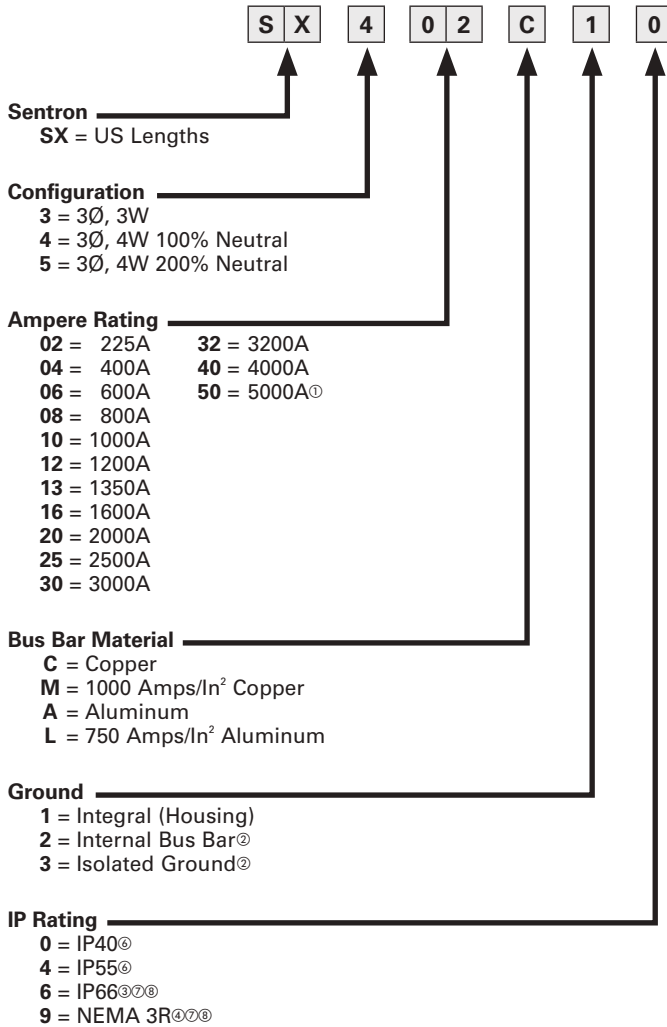


### Levels of Protection Description

Code	Description	Sentron Busway		
		Feeder	Plug-In	Sentron Bus Plugs
IP 2X	Plug-In outlet protects against access to live parts by .472 in. (12 mm) test probe, even with cover opened. <b>Finger Safe</b>	•	•	•
IP 40	Enclosure protects against entry of .039 in. (1.0 mm) test probe. <b>Indoor</b> (Typical UL Designation)	•	•	•
IP 55	Enclosure protects against entry of dust and water jets. <b>Splash Proof</b>	•	•	•
IP 66	Enclosure is dust tight and protects against powerful water jets. <b>Outdoor</b> (International Only)	•		
NEMA 3R	Enclosure protects against rain, sleet and damage from ice formation. <b>Outdoor</b>	•		

# Sentron® Busway Systems

## Catalogue Numbering System



Ⓢ Copper only  
 Ⓢ Copper or aluminum ground bar  
 Ⓢ IEC Markets  
 Ⓢ NEMA Markets  
 Ⓢ For odd degree angle (other than 90°) specify the degree angle of the turn.  
 Ⓢ Indoor only (Plug-in and Feeder)  
 Ⓢ Outdoor use (Feeder only)  
 Ⓢ Elbow Stack (IP40 and IP55 only)

• Catalog Numbers for Hangers can be found on page 13-43.



## Selection

### Suffix part of Catalogue Numbers

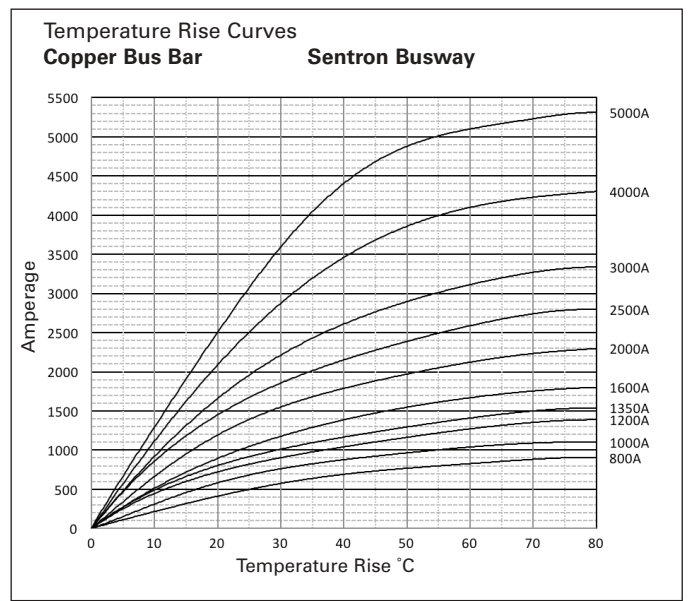
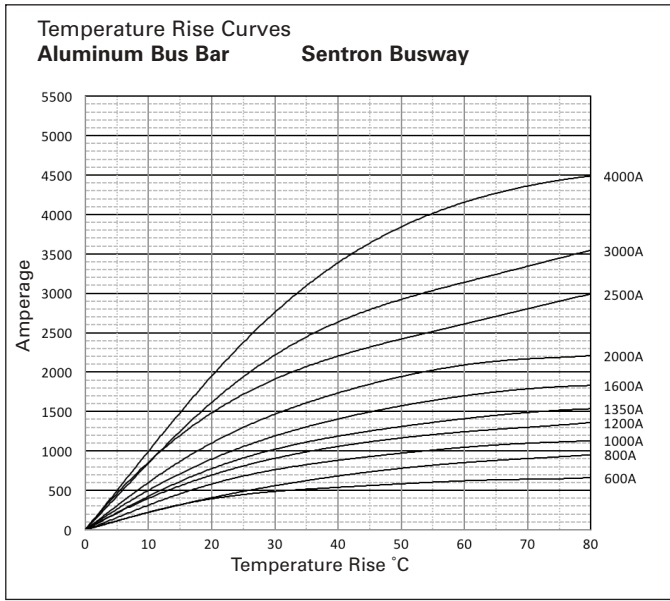
	P	L	0	6	
Feeder			Length in Inches, ex.: 2'3" = 027 Feeder lengths available from 2'0" (024 Inches) up to 10'0" (120 inches)		
Plug-in	L	Length	04 = 4'0" 06 = 6'0" 08 = 8'0" 10 = 10'0"		
One-sided plug-in (Riser)	I	Length	04 = 4'0" 06 = 6'0" 08 = 8'0" 10 = 10'0"		
Elbows	S = Stack <sup>Ⓢ</sup> L = 90° O = Odd degree angle <sup>Ⓢ</sup>	Edge	Up Down		
		Flat	Right Left		
Tees	E	Edge	Up Down		
		Flat	Right Left		
Offsets	F	Edge	Up Down		
		Flat	Right Left		
Combinations	O	Edge Up	Flat Left		
		Edge Down	Flat Left		
		Edge Up	Flat Right		
		Edge Down	Flat Right		
		Flat Left	Edge Up		
		Flat Right	Edge Down		
EXpansion Fittings	P	F	T		
	Center Cable Tap Boxes	T	B	Standard EXpanded	
		End Cable Tap Boxes	T	Vertical Horizontal	Standard EXpanded
End Closers	C	L	S		
FlanGe	Roof Wall	F	L		
Joint Stacks	Standard Isolation	S	T		
		SerVice Heads	1 = 1-Phase 3 = 3-Phase T = Throat	Transformer	H
		Utility	Florida Pwr/Light Houston Pwr/Light Commonwealth ED Pacific Gas/Electric Detroit Edison San Diego Seattle Other		
Reducers	Fused	R	F		
	Non-fused	R	N		
Flanged End	E = Int'l Standard	N	D		
	R = U.S. Standard	N	D		
	O = Other				
Transposition	R	PG = Phase & Ground			
		PO = Phase only			
		GO = Ground only			



# Sentron® Busway Systems – Reference Information

## Technical Data

Technical



### R, X, Z and Ohms, Voltage Drop

Ampere Rating	Bus Bar Width x 0.25 in. (6.4mm) Thick	Ohms x 10 <sup>-3</sup> per 100 feet			Voltage Drop - Concentrated Loads, Line-to-Line per 100 feet at 100% Rated Load, 35°C Ambient <sup>①③⑦</sup>							
		Line to Neutral R	X	Z	Power Factor 0.3	0.4	0.5	0.6	0.7	0.8	0.9	1.0
<b>AL L-Rated<sup>③</sup></b>												
225 —	1.75 (44.5)	3.94	1.13	4.10	0.88	1.02	1.15	1.27	1.39	1.49	1.57	1.54
400 —	1.75 (44.5)	4.08	1.23	4.26	1.66	1.91	2.15	2.38	2.58	2.77	2.91	2.83
600 —	1.75 (44.5)	4.26	1.32	4.46	2.64	3.03	3.40	3.75	4.08	4.37	4.58	4.43
800 400	2.38 (60.5)	3.42	1.06	3.58	2.82	3.24	3.64	4.02	4.36	4.67	4.90	4.74
1000 600	3.25 (82.6)	2.45	0.74	2.56	2.50	2.88	3.24	3.57	3.89	4.17	4.38	4.24
1200 800	4.38 (111.3)	1.86	0.59	1.95	2.32	2.66	2.99	3.29	3.58	3.82	4.01	3.87
1350 1000	5.38 (138.7)	1.39	0.24	1.41	1.50	1.81	2.10	2.39	2.67	2.93	3.17	3.25
1600 1200	6.50 (165.1)	1.21	0.48	1.29	2.19	2.48	2.75	3.00	3.23	3.43	3.56	3.35
2000 1350,1600	8.75 (222.3)	0.91	0.35	0.98	2.11	2.38	2.64	2.87	3.08	3.26	3.37	3.16
2500 2000	(2) 5.63 (143.0)	0.68	0.29	0.74	2.09	2.34	2.57	2.78	2.97	3.12	3.21	2.95
3000 2500	(2) 6.75 (171.5)	0.54	0.28	0.61	2.24	2.47	2.67	2.85	3.01	3.12	3.16	2.80
3200 2000	(2) 7.50 (190.5)	0.48	0.33	0.58	2.53	2.73	2.91	3.06	3.17	3.23	3.20	2.68
4000 3000,3200	(2) 9.00 (228.6)	0.62	0.21	0.51	2.34	2.61	2.85	3.08	3.27	3.43	3.51	3.20
<b>CU M-Rated<sup>③</sup></b>												
225 —	1.75 (44.5)	2.34	1.13	2.60	0.69	0.77	0.84	0.90	0.95	0.99	1.01	0.91
400 —	1.75 (44.5)	2.44	1.13	2.69	1.26	1.40	1.52	1.64	1.74	1.82	1.86	1.69
600 —	1.75 (44.5)	2.58	1.16	2.83	1.96	2.18	2.39	2.58	2.74	2.87	2.94	2.68
800 400	1.75 (44.5)	2.71	1.17	2.95	2.67	2.98	3.28	3.55	3.78	3.97	4.08	3.76
1000 —	2.25 (67.2)	2.12	0.98	2.30	2.58	2.88	3.17	3.44	3.67	3.86	3.98	3.67
1200 600	2.88 (73.2)	1.66	0.77	1.83	2.56	2.85	3.11	3.35	3.56	3.72	3.80	3.45
1350 800	3.50 (88.9)	1.30	0.64	1.45	2.34	2.59	2.82	3.03	3.20	3.33	3.39	3.04
1600 1000	4.50 (114.3)	1.06	0.56	1.20	2.37	2.60	2.66	3.01	3.17	3.29	3.32	2.94
2000 1200,1350	6.00 (152.4)	0.77	0.44	0.89	2.27	2.48	2.50	2.83	2.96	3.05	3.07	2.66
— 1600	—	—	—	—	—	—	—	—	—	—	—	—
2500 2000	8.50 (215.9)	0.55	0.35	0.65	2.15	2.34	2.50	2.64	2.75	2.82	2.81	2.39
3000 —	(2) 4.75 (120.7)	0.49	0.27	0.56	2.07	2.28	2.46	2.62	2.76	2.86	2.89	2.54
3200 —	(2) 5.50 (139.7)	0.44	0.30	0.53	2.33	2.51	2.67	2.80	2.90	2.96	2.93	2.44
4000 2500,3000,3200	(2) 6.50 (165.1)	0.36	0.15	0.39	1.76	1.97	2.17	2.35	2.51	2.63	2.71	2.49
5000 4000	(2) 8.50 (215.9)	0.30	0.21	0.37	2.49	2.69	2.86	3.00	3.11	3.17	3.15	2.63

**Notes:**

① For plug-in distributed loads, divide voltage drop values by 2.

② To determine voltage drop line-to-neutral, multiply line-to-line values by 0.577.

③ Actual voltage drop for different lengths and at loadings less than full rated current can be calculated using the formula:

$$Vd \text{ (actual)} = Vd \text{ (table)} \times \frac{\text{actual load}}{\text{rated load}} \times \frac{\text{actual length (ft)}}{100 \text{ feet}}$$

④ For 50 Hz, multiply reactance (X) by 0.85 and resistance values do not change. For 400 Hz, multiply reactance by 3.75 and multiply resistance by 1.4. Calculate new voltage drop:

$$Vd = \text{amps load} \times \sqrt{3(R\cos\theta + X\sin\theta)} \text{ per 100 ft, where } \cos\theta = \text{Power Factor.}$$

⑤ For metric conversion R, X, Z values "in Ohms per meters Line to Neutral"

- R x .0328
- X x .0328
- Z x .0328

⑥ For metric conversion "Line to Line per meter at 25° C ambient in mV/A/m" (Vd 32.8) / A. Divide Vd by 2 for distributed loads.

⑦ Voltage Drop will decrease in lower ambient temperature. Contact Siemens for Voltage Drop in other ambient conditions.

# Sentron® Busway Systems – Reference Information

## Technical Data

Technical

### Ground Capacity

Ampere Rating	Bus Bar Width Inches (mm)	Bars per Pole	Min. CSA for Ground Bus per UL 857 Table 14 In2 (mm2)	Sectional Area 50% Internal Ground Bar In2 (mm2)	Integral (Hsg.) Ground In2 (mm2)	Effective Current Carrying Capacity of Housing		Grd. Circuit Characteristics under Fault Conditions Ohms x 10 <sup>-3</sup> per 100 ft							
						% of UL Req	% of Phase Bar	Internal Ground			Housing Ground				
								R	X	Z	R	X	Z		
<b>A</b>   <b>L-Rated</b>															
225 —	1.75 (44.5)	1	0.08 (53.5)	0.22 (141.1)	2.30 (1485.1)	1333	253	4.872	9.037	10.267	5.797	12.963	14.200		
400 —	1.75 (44.5)	1	0.17 (107.1)	0.22 (141.1)	2.30 (1485.1)	667	253	4.872	9.037	10.267	5.797	12.963	14.200		
600 —	1.75 (44.5)	1	0.17 (107.1)	0.22 (141.1)	2.30 (1485.1)	667	253	4.872	9.037	10.267	5.797	12.963	14.200		
800 400	2.38 (60.5)	1	0.17 (107.1)	0.30 (191.9)	2.40 (1550.1)	688	192	3.351	7.333	8.063	4.932	10.000	11.150		
1000 600	3.25 (82.6)	1	0.20 (126.5)	0.41 (262.1)	2.54 (1639.9)	607	147	2.833	6.628	7.208	3.662	8.442	9.202		
1200 800	4.38 (111.1)	1	0.23 (146.5)	0.55 (352.8)	2.72 (1756.6)	552	115	2.487	5.852	6.358	3.189	6.926	7.625		
1350 1000	5.38 (136.5)	1	0.29 (189.7)	0.67 (433.5)	2.88 (1859.8)	446	94	2.182	5.115	5.561	2.713	5.883	6.478		
1600 1200	6.50 (165.1)	1	0.29 (189.7)	0.81 (524.2)	3.06 (1975.4)	467	84	1.801	4.489	4.837	2.289	5.206	5.687		
2000 1350,1600	8.75 (222.3)	1	0.35 (227.7)	1.09 (705.6)	3.42 (2207.7)	425	69	1.390	3.467	3.735	1.623	4.267	4.565		
2500 2000	5.63 (142.9)	2	0.52 (332.3)	1.41 (907.3)	3.85 (2480.7)	320	59	1.145	2.955	3.169	1.526	3.837	4.129		
3000 2500	6.75 (171.5)	2	0.59 (380.0)	1.69 (1088.7)	4.20 (2711.9)	301	53	0.954	2.683	2.848	1.221	3.635	3.835		
3200 2000	7.50 (190.5)	2	0.81 (522.6)	1.88 (1209.7)	4.44 (2866.8)	229	51	0.894	2.493	2.648	1.144	3.428	3.614		
4000 3000,3200	9.00 (228.6)	2	0.81 (522.6)	2.25 (1451.6)	4.92 (3176.5)	250	50	0.715	2.339	2.446	0.916	3.378	3.500		
<b>CU</b>   <b>M-Rated</b>															
225 —	1.75 (44.5)	1	0.05 (33.5)	0.22 (141.1)	2.30 (1485.1)	2128	261	3.803	6.330	7.380	5.183	10.083	11.338		
400 —	1.75 (44.5)	1	0.11 (67.7)	0.22 (141.1)	2.30 (1485.1)	1054	261	3.803	6.330	7.380	5.183	10.083	11.338		
600 —	1.75 (44.5)	1	0.11 (67.7)	0.22 (141.1)	2.30 (1485.1)	1054	261	3.803	6.330	7.380	5.183	10.083	11.338		
800 400	1.75 (44.5)	1	0.11 (67.7)	0.22 (141.1)	2.30 (1485.1)	1054	261	3.803	6.330	7.380	5.183	10.083	11.338		
1000 —	2.25 (57.2)	1	0.13 (85.2)	0.28 (181.5)	2.38 (1536.7)	860	207	3.029	5.993	6.715	4.409	9.191	10.194		
1200 600	2.88 (73.0)	1	0.18 (114.2)	0.36 (231.9)	2.48 (1601.8)	661	166	2.460	5.676	6.186	3.674	8.212	8.996		
1350 800	3.50 (88.9)	1	0.24 (152.3)	0.44 (282.3)	2.58 (1665.8)	510	140	2.188	5.267	5.704	2.807	7.492	8.000		
1600 1000	4.50 (114.3)	1	0.24 (152.3)	0.56 (362.9)	2.74 (1769.0)	534	113	1.893	4.323	4.719	2.756	6.880	7.411		
2000 1200,1350	6.00 (152.4)	1	0.29 (189.7)	0.75 (483.9)	2.98 (1923.8)	457	90	1.476	3.181	3.507	2.205	6.032	6.422		
— 1600	6.50 (165.1)	1	0.29 (189.7)	0.81 (524.2)	3.06 (1975.4)	467	84	1.801	4.489	4.837	2.289	5.206	5.687		
2500 2000	8.50 (215.9)	1	0.35 (227.7)	1.06 (685.5)	3.38 (2181.9)	421	70	1.087	2.020	2.294	1.764	5.419	3.072		
3000 —	4.75 (120.7)	2	0.41 (265.8)	1.19 (766.1)	3.56 (2290.0)	376	66	0.984	1.874	2.117	1.470	4.631	4.859		
3200 —	5.50 (139.7)	2	0.59 (380.0)	1.38 (887.1)	3.80 (2453.9)	277	60	0.947	1.691	1.938	1.378	4.129	4.353		
4000 2500,3000,3200	6.50 (165.1)	2	0.59 (380.0)	1.63 (1048.4)	4.12 (2660.3)	296	54	0.773	1.500	1.688	1.323	3.060	3.334		
5000 4000	8.50 (215.9)	2	0.71 (456.1)	2.13 (1371.0)	4.76 (3073.2)	278	50	0.606	1.218	1.360	0.882	1.783	1.989		

Note: Bus bar thickness = .25 in. (6.4mm), Ground bar thickness = .125 in.(3.18mm)

UL Short Circuit Ratings				UL Series Connected with Fuse			
Ampere Rating	L-Rated	RMS Symmetrical (kA)			Maximum Fuse Size for 200kA		
		6 cycle	1 sec.	3 sec.	Class R	Class J & T	Class L
225	—	85	28	16	600	600 J & T	—
400	—	85	28	16	600	600 J & T	—
600	—	85	28	16	600	600 J & T	—
800 400	—	100	47	27	—	800 T	1200
1000 600	—	100	50	29	—	—	3000
1200 800	—	125	60	35	—	—	3000
1350 1000	—	150	75	43	—	—	3000
1600 1200	—	150	90	52	—	—	3000
2000 1350,1600	—	150	110	64	—	—	5000
2500 2000	—	200	130	75	—	—	5000
3000 2500	—	200	160	92	—	—	—
3200 2000	—	200	160	92	—	—	—
4000 3000,3200	—	200	200	115	—	—	—
<b>CU</b>   <b>M-Rated</b>							
225	—	85	40	23	600	600 J & T	—
400	—	85	40	23	600	600 J & T	—
600	—	85	40	23	600	600 J & T	—
800 400	—	85	40	23	—	800 T	1600
1000 —	—	100	50	29	—	—	3000
1200 600	—	100	65	38	—	—	3000
1350 800	—	100	80	46	—	—	3000
1600 1000	—	125	95	55	—	—	4000
2000 1200,1350	—	150	115	66	—	—	5000
— 1600	—	150	90	52	—	—	3000
2500 2000	—	150	130	75	—	—	5000
3000 —	—	200	175	101	—	—	—
3200 —	—	200	175	101	—	—	—
4000 2500,3000,3200	—	200	200	115	—	—	—
5000 4000	—	200	200	115	—	—	—

Sentron Busway has UL approved Series Ratings. By using the appropriate line side fuse, short circuit ratings can be enhanced to 200kA for lower amperage busway.

13  
BUSWAY  
SYSTEMS

# Sentron® Busway Systems – Reference Information

## Straight Sections – Plug-In, One-Sided Plug-In and Feeder

*Selection*

### Straight Sections

Sentron Busway can be ordered with Aluminum or Copper bus bars. Aluminum bars are available in 225-4000 ampere sections. Copper bars are available in 225-5000 ampere sections. Sentron Busway includes an integral housing ground, and is available with an internal ground bar or an isolated ground bar in all ampere ratings. Sentron Busway housing is a four-piece aluminum design.

### Plug-In Sections

Sentron plug-in sections are designed with plug-in openings centered on 24 in. (610mm) intervals, and are located on both sides of the busway for optimum utilization. Plug-in sections are available in standard lengths of 4 ft. (1.22m), 6 ft. (1.83m), 8 ft. (2.44m) and 10 ft. (3.05m). Sentron plug-in sections meet IP40

(indoor) and IP55 (splash proof) requirements. One joint stack assembly is provided with each plug-in section.

### One-Sided Plug-In Sections

Sentron one-sided plug-in sections are designed with plug-in openings centered on 24 in. (610mm) intervals on one side of the busway only. This eliminates unusable plug-in outlets in vertical applications. Riser busway is available in standard lengths of 4 ft. (1.22m), 6 ft. (1.83m), 8 ft. (2.44m) and 10 ft. (3.05m). Sentron Riser Busway is available in IP40 (indoor) and IP55 (splash proof). One joint stack assembly is provided with each riser section.

### Plug-In Outlet Features

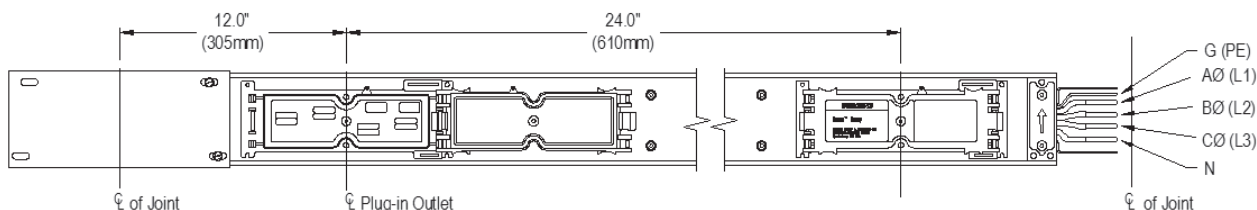
The plug-in outlet molded guard design prevents incidental finger contact with live conductors. Sentron plug-in outlets

are IP 2X rated (with the outlet cover open) which means a .472 in. (12mm) or larger probe is unable to enter a plug-in outlet. The outlet is IP40 Rated with the cover closed and IP55 Rated when configured with gaskets.

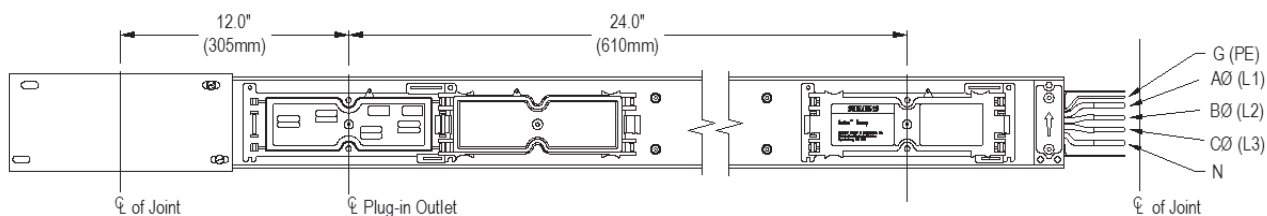
### Feeder Sections

Feeder busway carries the current of the busway system from the supply source. Feeder busway does not have plug-in outlets. Sentron Feeder busway is available in custom lengths from 2 ft. (.61m) to 10 ft. (3.05m). Feeder sections are rated as IP40 (Indoor), IP55 (Splash Proof), NEMA 3R (Outdoor), and IP66 (International Outdoor). One joint stack assembly is provided with each feeder section.

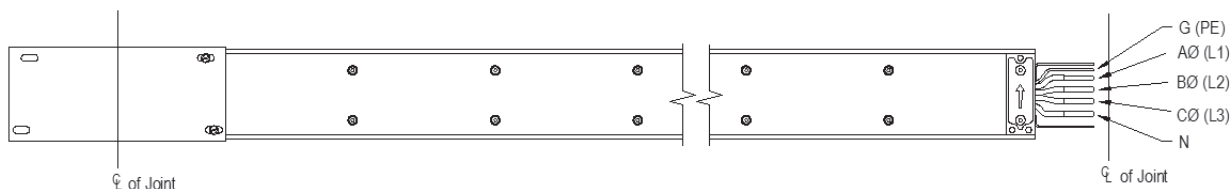
**Standard Plug-In Section (Standard plug-in outlets on both sides on 24 in. centers)**  
Suffix PL04 (4 ft.), PL06 (6 ft.), PL08 (8 ft.), PL10 (10 ft.)



**Standard One-Sided Plug-In Section (Standard Plug-In outlets on one side on 24 in. centers)**  
Suffix RI04 (4 ft.), RI06 (6 ft.), RI08 (8 ft.), RI10 (10 ft.)



**Standard Feeder Section**  
Suffix F024 - 120 (last 3 digits = length in Inches, 024=24 in., 120=120 in.)



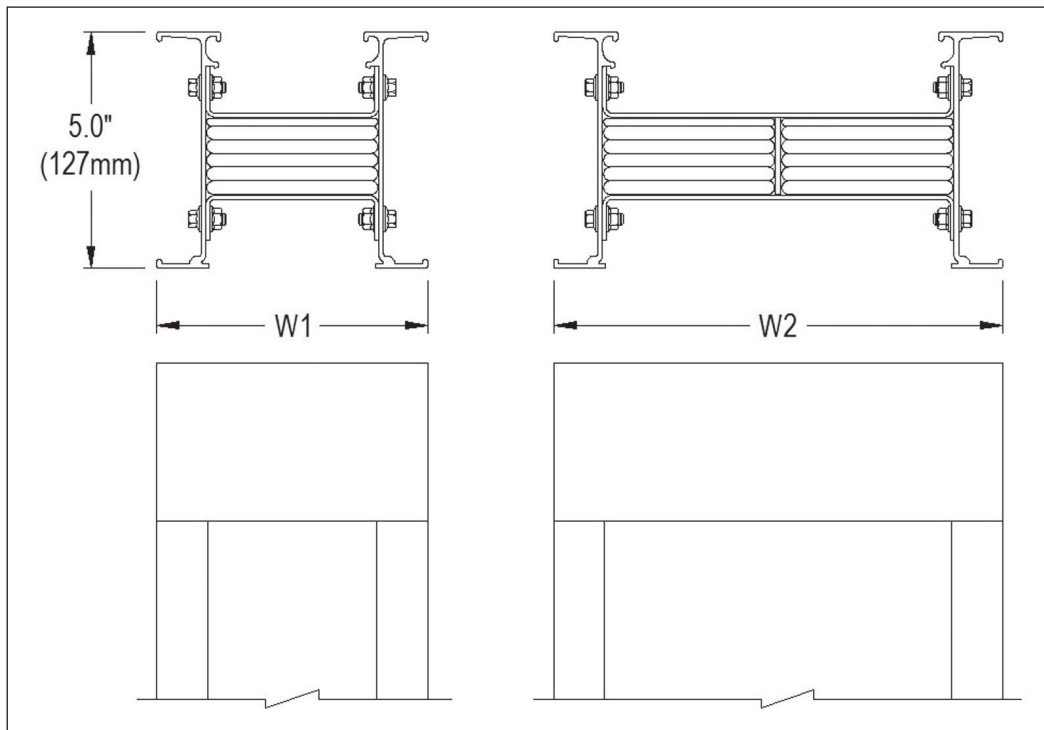
# Sentron® Busway Systems – Reference Information

Selection

## Sentron Busway, Widths and Weights

Ampere Rating	Dimension Inches (mm)	Approximate Weight - lbs per ft. (kg per meter)							
		3Ø, 3-Wire	3Ø, 3-Wire with Internal Ground	3Ø, 4-Wire	3Ø, 4-Wire with Internal Ground	3Ø, 4-Wire 200% Neutral			
<b>AL</b>	<b>L-Rated</b>								
225	—	"W1"	3.9 (99)	5 (8)	5 (8)	6 (9)	6 (9)	7 (10)	7 (10)
400	—	"W1"	3.9 (99)	5 (8)	5 (8)	6 (9)	6 (9)	7 (10)	7 (10)
600	—	"W1"	3.9 (99)	5 (8)	5 (8)	6 (9)	6 (9)	7 (10)	7 (10)
800	400	"W1"	4.6 (117)	6 (9)	6 (9)	7 (10)	7 (10)	7 (11)	8 (11)
1000	600	"W1"	5.4 (137)	7 (10)	7 (11)	8 (12)	8 (12)	9 (13)	9 (14)
1200	800	"W1"	6.6 (168)	8 (12)	9 (13)	9 (14)	10 (15)	11 (16)	11 (17)
1350	1000	"W1"	7.6 (193)	9 (13)	10 (15)	11 (16)	11 (17)	12 (18)	13 (19)
1600	1200	"W1"	8.7 (221)	10 (15)	11 (17)	12 (18)	13 (19)	14 (21)	15 (22)
2000	1250,1600	"W1"	10.9 (277)	13 (19)	14 (21)	15 (23)	16 (24)	18 (26)	19 (28)
2500	2000	"W2"	13.7 (348)	15 (22)	17 (25)	18 (27)	20 (30)	22 (33)	23 (34)
3000	2500	"W2"	15.8 (402)	17 (25)	19 (28)	21 (31)	23 (34)	25 (37)	27 (40)
3200	2000	"W2"	17.3 (439)	18 (27)	20 (30)	23 (34)	25 (37)	27 (40)	29 (43)
4000	3000,3200	"W2"	20.3 (516)	22 (33)	25 (37)	27 (40)	30 (44)	32 (48)	35 (52)
<b>CU</b>	<b>M-Rated</b>								
225	—	"W1"	3.9 (99)	9 (13)	10 (14)	10 (16)	11 (17)	12 (18)	13 (19)
400	—	"W1"	3.9 (99)	9 (13)	10 (14)	10 (16)	11 (17)	12 (18)	13 (19)
600	—	"W1"	3.9 (99)	9 (13)	10 (14)	10 (16)	11 (17)	12 (18)	13 (19)
800	400	"W1"	3.9 (99)	9 (13)	10 (14)	10 (16)	11 (17)	12 (18)	13 (19)
1000	—	"W1"	4.4 (112)	10 (15)	11 (17)	12 (19)	14 (20)	15 (22)	16 (23)
1200	600	"W1"	5.1 (130)	12 (18)	14 (20)	15 (23)	16 (24)	18 (26)	19 (29)
1350	800	"W1"	5.7 (145)	14 (21)	16 (24)	17 (26)	19 (29)	21 (31)	23 (34)
1600	1000	"W1"	6.7 (170)	17 (26)	19 (29)	22 (32)	24 (35)	26 (38)	28 (42)
2000	1200,1350	"W1"	8.2 (208)	22 (32)	25 (37)	28 (41)	30 (45)	33 (50)	36 (54)
—	1600	"W1"	8.7 (277)	13 (19)	14 (21)	15 (23)	16 (24)	18 (26)	19 (28)
2500	2000	"W1"	10.7 (272)	30 (44)	34 (50)	38 (56)	42 (62)	46 (68)	50 (74)
3000	—	"W2"	11.8 (300)	33 (49)	37 (55)	42 (63)	47 (70)	51 (76)	56 (83)
3200	—	"W2"	13.3 (335)	37 (55)	2 (63)	48 (72)	53 (79)	58 (86)	64 (95)
4000	2500,3000,3200	"W2"	15.3 (389)	43 (64)	50 (75)	56 (83)	62 (92)	68 (101)	75 (112)
5000	4000	"W2"	19.3 (491)	56 (83)	64 (95)	72 (107)	80 (119)	89 (132)	97 (145)

13  
BUSWAY  
SYSTEMS



# Sentron® Straight Section Busway

Copper (225-5000 Ampere) and Aluminum (225-4000 Ampere)

*Selection*

## Copper (225 - 5000Ampere)

Base Catalog Number Guide									
Ampere	3-Pole	3-Pole Internal Ground	3-Pole Isolated Ground	4-Pole	4-Pole 200% Neutral	4-Pole Internal Ground	4-Pole 200% Neutral Internal Ground	4-Pole Isolated Ground	4-Pole 200% Neutral Isolated Ground
225	SX302C1	SX302C2	SX302C3	SX402C1	SX502C1	SX402C2	SX502C2	SX402C3	SX502C3
400	SX304C1	SX304C2	SX304C3	SX404C1	SX504C1	SX404C2	SX504C2	SX404C3	SX504C3
600	SX306C1	SX306C2	SX306C3	SX406C1	SX506C1	SX406C2	SX506C2	SX406C3	SX506C3
800	SX308C1	SX308C2	SX308C3	SX408C1	SX508C1	SX408C2	SX508C2	SX408C3	SX508C3
1000	SX310C1	SX310C2	SX310C3	SX410C1	SX510C1	SX410C2	SX510C2	SX410C3	SX510C3
1200	SX312C1	SX312C2	SX312C3	SX412C1	SX512C1	SX412C2	SX512C2	SX412C3	SX512C3
1350	SX313C1	SX313C2	SX313C3	SX413C1	SX513C1	SX413C2	SX513C2	SX413C3	SX513C3
1600	SX316C1	SX316C2	SX316C3	SX416C1	SX516C1	SX416C2	SX516C2	SX416C3	SX516C3
2000	SX320C1	SX320C2	SX320C3	SX420C1	SX520C1	SX420C2	SX520C2	SX420C3	SX520C3
2500	SX325C1	SX325C2	SX325C3	SX425C1	SX525C1	SX425C2	SX525C2	SX425C3	SX525C3
3000	SX330C1	SX330C2	SX330C3	SX430C1	SX530C1	SX430C2	SX530C2	SX430C3	SX530C3
3200	SX332C1	SX332C2	SX332C3	SX432C1	SX532C1	SX432C2	SX532C2	SX432C3	SX532C3
4000	SX340C1	SX340C2	SX340C3	SX440C1	SX540C1	SX440C2	SX540C2	SX440C3	SX540C3

## Aluminum (225 - 4000Ampere)

Base Catalog Number Guide									
Ampere	3-Pole	3-Pole Internal Ground	3-Pole Isolated Ground	4-Pole	4-Pole 200% Neutral	4-Pole Internal Ground	4-Pole 200% Neutral Internal Ground	4-Pole Isolated Ground	4-Pole 200% Neutral Isolated Ground
225	SX302A1	SX302A2	SX302A3	SX402A1	SX502A1	SX402A2	SX502A2	SX402A3	SX502A3
400	SX304A1	SX304A2	SX304A3	SX404A1	SX504A1	SX404A2	SX504A2	SX404A3	SX504A3
600	SX306A1	SX306A2	SX306A3	SX406A1	SX506A1	SX406A2	SX506A2	SX406A3	SX506A3
800	SX308A1	SX308A2	SX308A3	SX408A1	SX508A1	SX408A2	SX508A2	SX408A3	SX508A3
1000	SX310A1	SX310A2	SX310A3	SX410A1	SX510A1	SX410A2	SX510A2	SX410A3	SX510A3
1200	SX312A1	SX312A2	SX312A3	SX412A1	SX512A1	SX412A2	SX512A2	SX412A3	SX512A3
1350	SX313A1	SX313A2	SX313A3	SX413A1	SX513A1	SX413A2	SX513A2	SX413A3	SX513A3
1600	SX316A1	SX316A2	SX316A3	SX416A1	SX516A1	SX416A2	SX516A2	SX416A3	SX516A3
2000	SX320A1	SX320A2	SX320A3	SX420A1	SX520A1	SX420A2	SX520A2	SX420A3	SX520A3
2500	SX325A1	SX325A2	SX325A3	SX425A1	SX525A1	SX425A2	SX525A2	SX425A3	SX525A3
3000	SX330A1	SX330A2	SX330A3	SX430A1	SX530A1	SX430A2	SX530A2	SX430A3	SX530A3
3200	SX332A1	SX332A2	SX332A3	SX432A1	SX532A1	SX432A2	SX532A2	SX432A3	SX532A3
4000	SX340A1	SX340A2	SX340A3	SX440A1	SX540A1	SX440A2	SX540A2	SX440A3	SX540A3

## Suffix Numbers

Busway Type	Base Catalog Number Suffix			
	IP40	IP55	IP66	Nema 3R
Feeder	0F	4F	6F	9F
Plug-in	0P	4P	—	—
One-sided Plug-in	0R	4R	—	—

# Sentron® Busway Systems – Reference Information

## Elbows

*Selection*

Sentron Busway elbows provide a simple and convenient method of changing the direction (left, right, up or down) of a busway run. Two elbow styles are offered: elbow stack and elbow section.

Flatwise Elbow Stacks, Dimensions (standard/min.)		Dimensions Inches (mm) "A"
Ampere Rating		
<b>AL</b>	<b>L-Rated</b>	
225	—	1.00 (25)
400	—	1.00 (25)
600	—	1.00 (25)
800	400	1.12 (28)
1000	600	2.00 (51)
1200	800	2.50 (64)
1350	1000	3.00 (76)
1600	1200	3.50 (89)
2000	1350,1600	4.62 (117)
2500	2000	5.75 (146)
3000	2500	7.00 (178)
3200	2000	7.75 (197)
4000	3000,3200	9.35 (237)
<b>CU</b>	<b>M-Rated</b>	
225	—	1.00 (25)
400	—	1.00 (25)
600	—	1.00 (25)
800	400	1.00 (25)
1000	—	1.12 (28)
1200	600	1.25 (33)
1350	800	2.00 (50)
1600	1000	2.50 (64)
2000	1200,1350	3.25 (83)
—	1600	4.62 (117)
2500	2000	4.50 (114)
3000	—	5.00 (127)
3200	—	5.75 (146)
4000	2500,3000,3200	6.75 (171)
5000	4000	8.87 (225)

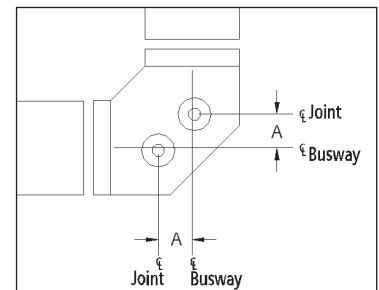
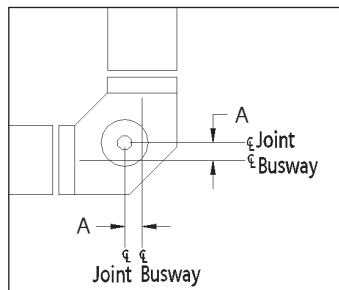
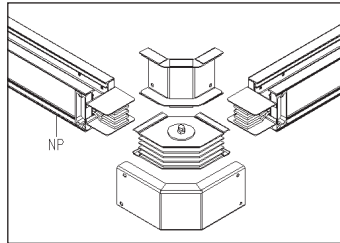
**Note:** Flatwise elbow stacks can be ordered as either right-hand (ESFR) or left-hand (ESFL) to follow the same nomenclature as an elbow section. The construction is identical and interchangeable.

### Flatwise Elbow Stacks

Flatwise elbow stacks are used for left and right directional changes. When the busway system is mounted flatwise in the horizontal plane (bus bars run parallel to the floor).

#### Flat

##### Suffix ESFR/ESFL

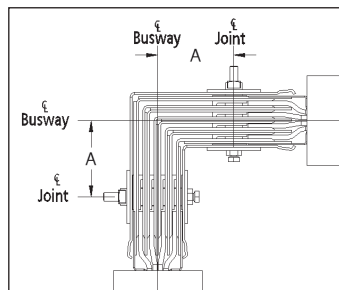


Edgewise Elbow Stacks, Dimensions (standard/min.)		Dimensions Inches (mm) "A"
Ampere Rating		
<b>AL</b>	<b>L-Rated</b>	
225	—	4.25 (108)
400	—	4.25 (108)
600	—	4.25 (108)
800	400	4.25 (108)
1000	600	4.25 (108)
1200	800	4.25 (108)
1350	1000	4.25 (108)
1600	1200	4.25 (108)
2000	1350,1600	4.25 (108)
2500	2000	4.25 (108)
3000	2500	4.25 (108)
3200	2000	4.25 (108)
<b>CU</b>	<b>M-Rated</b>	
225	—	4.25 (108)
400	—	4.25 (108)
600	—	4.25 (108)
800	400	4.25 (108)
1000	—	4.25 (108)
1200	600	4.25 (108)
1350	800	4.25 (108)
1600	1000	4.25 (108)
2000	1200,1350	4.25 (108)
—	1600	4.25 (108)
2500	2000	4.25 (108)
3000	—	4.25 (108)
3200	—	4.25 (108)
4000	2500,3000,3200	4.25 (108)
5000	4000	4.25 (108)

**Note:** Edge up and edge down elbow stacks are not interchangeable.

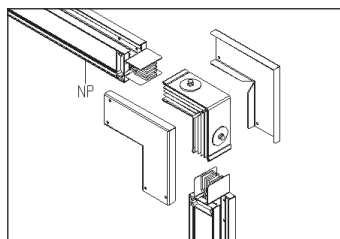
### Edgewise Elbow Stacks

Edgewise elbow stacks create up and down directional changes. The "A" phase is on the inside of the bend for edge up elbow stacks. The "A" phase is on the outside of the bend for edge down elbow stacks.



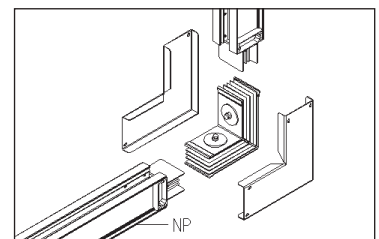
#### Edge Down

##### Suffix ESED



#### Edge Up

##### Suffix ESEU





# Sentron® Busway Systems – Reference Information

## Elbows

*Selection*

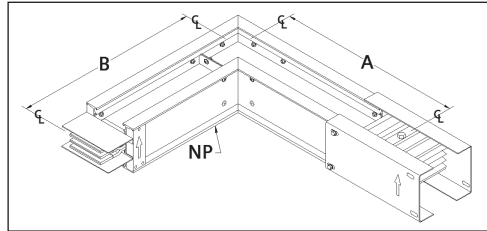
Flatwise Elbow Sections, Dimensions (standard/min.)			
Ampere Rating		Dimensions Inches (mm)	
		"A"	"B"
<b>AL</b>	<b>L-Rated</b>		
225	—	12 (305)	12 (305)
400	—	12 (305)	12 (305)
600	—	12 (305)	12 (305)
800	400	12 (305)	12 (305)
1000	600	12(305)	12 (305)
1200	800	12 (305)	12 (305)
1350	1000	12 (305)	12 (305)
1600	1200	18 (457)	18 (457)
2000	1350,1600	18 (457)	18 (457)
2500	2000	18 (457)	18 (457)
3000	2500	18 (457)	18 (457)
3200	2000	18 (457)	18 (457)
4000	3000,3200	24 (610)	24 (610)
<b>CU</b>	<b>M-Rated</b>		
225	—	12 (305)	12 (305)
400	—	12 (305)	12 (305)
600	—	12 (305)	12 (305)
800	400	12 (305)	12 (305)
1000	—	12 (305)	12 (305)
1200	600	12 (305)	12 (305)
1350	800	12 (305)	12 (305)
1600	1000	12 (305)	12 (305)
2000	1200,1350	12 (305)	12 (305)
—	1600	18 (457)	18 (457)
2500	2000	18 (457)	18 (457)
3000	—	18 (457)	18 (457)
3200	—	18 (457)	18 (457)
4000	2500,3000,3200	18 (457)	18 (457)
5000	4000	24 (610)	24 (610)

### Flatwise Elbow Sections

Flatwise elbow sections are used for left and right directional changes when the busway system is mounted in the horizontal plane (bus bars run parallel to the floor). The joint stack assembly may be moved to the opposite leg to change the orientation from left to right/right to left.

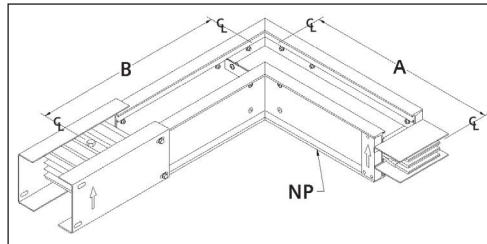
#### Flat Left

##### Suffix ELEF



#### Flat Right

##### Suffix ELFR



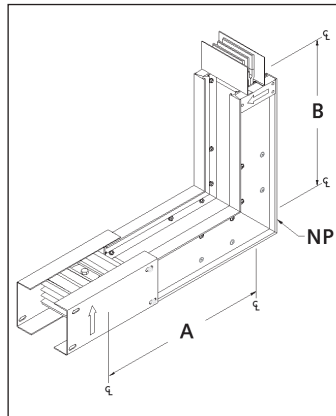
Edgewise Elbow Sections, Dimensions (standard/min.)			
Ampere Rating		Dimensions Inches (mm)	
		"A"	"B"
<b>AL</b>	<b>L-Rated</b>		
225	—	10 (254)	10 (254)
400	—	10 (254)	10 (254)
600	—	10 (254)	10 (254)
800	400	10 (254)	10 (254)
1000	600	10 (254)	10 (254)
1200	800	10 (254)	10 (254)
1350	1000	10 (254)	10 (254)
1600	1200	10 (254)	10 (254)
2000	1350,1600	10 (254)	10 (254)
2500	2000	10 (254)	10 (254)
3000	2500	10 (254)	10 (254)
3200	2000	10 (254)	10 (254)
4000	3000,3200	10 (254)	10 (254)
<b>CU</b>	<b>M-Rated</b>		
225	—	10 (254)	10 (254)
400	—	10 (254)	10 (254)
600	—	10 (254)	10 (254)
800	400	10 (254)	10 (254)
1000	—	10 (254)	10 (254)
1200	600	10 (254)	10 (254)
1350	800	10 (254)	10 (254)
1600	1000	10 (254)	10 (254)
2000	1200,1350	10 (254)	10 (254)
—	1600	10 (254)	10 (254)
2500	2000	10 (254)	10 (254)
3000	—	10 (254)	10 (254)
3200	—	10 (254)	10 (254)
4000	2500,3000,3200	10 (254)	10 (254)
5000	4000	10 (254)	10 (254)

### Edgewise Elbow Sections

Edgewise elbow sections create up and down directional changes. The "A" phase bus bar lies on the inside of the bend for edge up elbows. The "A" phase bus bar lies on the outside of the bend for edge down elbows. The joint stack assembly on edgewise elbows can not be moved in order to change orientation from up to down/down to up. Sentron Busway elbow sections are shipped with a joint stack assembly on one end for direct connection to the busway system.

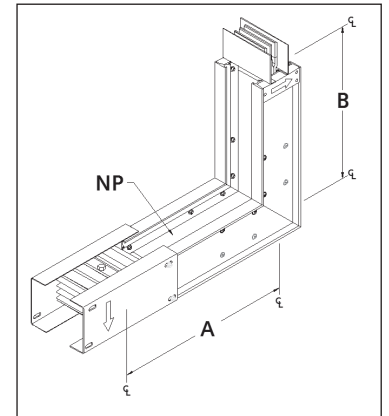
#### Edge Up

##### Suffix ELEU



#### Edge Down

##### Suffix ELED



**Note :** Odd angle elbow flatwise and edgewise elbow sections are available for angles 95° - 175° in 5° increments.



# Sentron® Busway Systems – Reference Information

## Offsets

Offsets can be utilized to solve difficult contour problems and save space. In applications where space does not allow for two connected elbows, a single offset can bypass an obstruction. All offsets are supplied with one joint stack assembly.

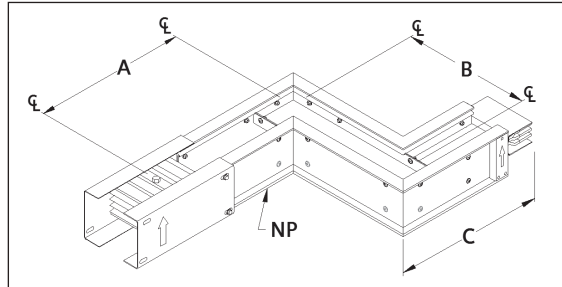
Flatwise Offsets, Dimensions (standard/min.)		Dimensions Inches (mm)		
Ampere Rating		"A"	"B"	"C"
<b>AL</b>	<b>L-Rated</b>			
225	—	12 (305)	5 (127)	12 (305)
400	—	12 (305)	5 (127)	12 (305)
600	—	12 (305)	5 (127)	12 (305)
800	400	12 (305)	5 (127)	12 (305)
1000	600	12 (305)	5 (127)	12 (305)
1200	800	12 (305)	5 (127)	12 (305)
1350	1000	12 (305)	5 (127)	12 (305)
1600	1200	18 (457)	5 (127)	18 (457)
2000	1350,1600	18 (457)	5 (127)	18 (457)
2500	2000	18 (457)	5 (127)	18 (457)
3000	2500	18 (457)	5 (127)	18 (457)
3200	2000	18 (457)	5 (127)	18 (457)
4000	3000,3200	24 (610)	8 (203)	24 (610)
<b>CU</b>	<b>M-Rated</b>			
225	—	12 (305)	5 (127)	12 (305)
400	—	12 (305)	5 (127)	12 (305)
600	—	12 (305)	5 (127)	12 (305)
800	400	12 (305)	5 (127)	12 (305)
1000	—	12 (305)	5 (127)	12 (305)
1200	600	12 (305)	5 (127)	12 (305)
1350	800	12 (305)	5 (127)	12 (305)
1600	1000	12 (305)	5 (127)	12 (305)
2000	1200,1350	12 (305)	5 (127)	12 (305)
—	1600			
2500	2000	18 (457)	5 (127)	18 (457)
3000	—	18 (457)	5 (127)	18 (457)
3200	—	18 (457)	5 (127)	18 (457)
4000	2500,3000,3200	18 (457)	5 (127)	18 (457)
5000	4000	24 (610)	8 (203)	24 (610)

Edgewise Offsets, Dimensions (standard/min.)		Dimensions Inches (mm)		
Ampere Rating		"A"	"B"	"C"
<b>AL</b>	<b>L-Rated</b>			
225	—	10 (254)	6 (152)	10 (254)
400	—	10 (254)	6 (152)	10 (254)
600	—	10 (254)	6 (152)	10 (254)
800	400	10 (254)	6 (152)	10 (254)
1000	600	10 (254)	6 (152)	10 (254)
1200	800	10 (254)	6 (152)	10 (254)
1350	1000	10 (254)	6 (152)	10 (254)
1600	1200	10 (254)	6 (152)	10 (254)
2000	1350,1600	10 (254)	6 (152)	10 (254)
2500	2000	10 (254)	6 (152)	10 (254)
3000	2500	10 (254)	6 (152)	10 (254)
3200	2000	10 (254)	6 (152)	10 (254)
4000	3000,3200	10 (254)	6 (152)	10 (254)
<b>CU</b>	<b>M-Rated</b>			
225	—	10 (254)	6 (152)	10 (254)
400	—	10 (254)	6 (152)	10 (254)
600	—	10 (254)	6 (152)	10 (254)
800	400	10 (254)	6 (152)	10 (254)
1000	—	10 (254)	6 (152)	10 (254)
1200	600	10 (254)	6 (152)	10 (254)
1350	800	10 (254)	6 (152)	10 (254)
1600	1000	10 (254)	6 (152)	10 (254)
2000	1200,1350	10 (254)	6 (152)	10 (254)
—	1600			
2500	2000	10 (254)	6 (152)	10 (254)
3000	—	10 (254)	6 (152)	10 (254)
3200	—	10 (254)	6 (152)	10 (254)
4000	2500,3000,3200	10 (254)	6 (152)	10 (254)
5000	4000	10 (254)	6 (152)	10 (254)

\*Note: Leg Dimensions A and C have been reversed from prior publications.

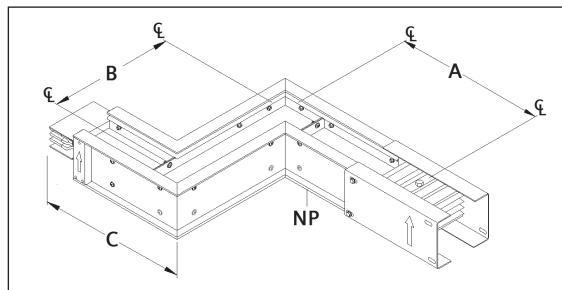
### Flat Right

#### Suffix OFFR



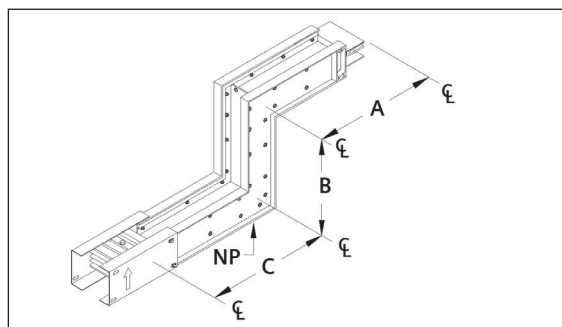
### Flat Left

#### Suffix OFFL



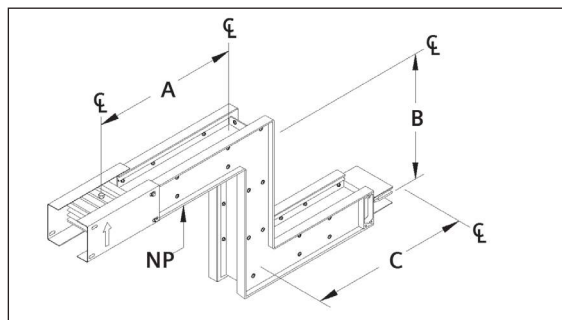
### Edge Up

#### Suffix OFEU



### Edge Down

#### Suffix OFED



# Sentron® Busway Systems – Reference Information

## Combinations

*Selection*

Combinations are used to create edge to flat and flat to edge changes in the busway run. One joint stack assembly is shipped with combination.

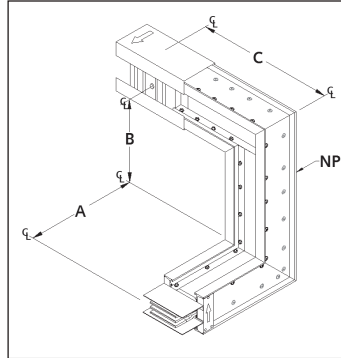
See drawings for minimum dimensions. Consult Busway Order Service for information on custom lengths.

Combinations, Dimensions (standard/min.)		Dimensions Inches (mm)		
Ampere Rating		**"A"	"B"	"C"
<b>AL</b>	<b>L-Rated</b>			
225	—	10 (254)	8 (203)	12 (305)
400	—	10 (254)	8 (203)	12 (305)
600	—	10 (254)	8 (203)	12 (305)
800	400	10 (254)	8 (203)	12 (305)
1000	600	10 (254)	8 (203)	12 (305)
1200	800	10 (254)	8 (203)	12 (305)
1350	1000	10 (254)	8 (203)	12 (305)
1600	1200	10 (254)	12 (305)	18 (457)
2000	1350,1600	10 (254)	12 (305)	18 (457)
2500	2000	10 (254)	12 (305)	18 (457)
3000	2500	10 (254)	12 (305)	18 (457)
3200	2000	10 (254)	12 (305)	18 (457)
4000	3000,3200	10 (254)	16 (406)	24 (610)
<b>CU</b>	<b>M-Rated</b>			
225	—	10 (254)	8 (203)	12 (305)
400	—	10 (254)	8 (203)	12 (305)
600	—	10 (254)	8 (203)	12 (305)
800	400	10 (254)	8 (203)	12 (305)
1000	—	10 (254)	8 (203)	12 (305)
1200	600	10 (254)	8 (203)	12 (305)
1350	800	10 (254)	8 (203)	12 (305)
1600	1000	10 (254)	8 (203)	12 (305)
2000	1200,1350	10 (254)	8 (203)	12 (305)
—	1600	10 (254)	12 (305)	18 (457)
2500	2000	10 (254)	12 (305)	18 (457)
3000	—	10 (254)	12 (305)	18 (457)
3200	—	10 (254)	12 (305)	18 (457)
4000	2500,3000,3200	10 (254)	12 (305)	18 (457)
5000	4000	10 (254)	16 (406)	24 (610)

\*Note: Leg Dimensions A and C have been reversed from prior publications.

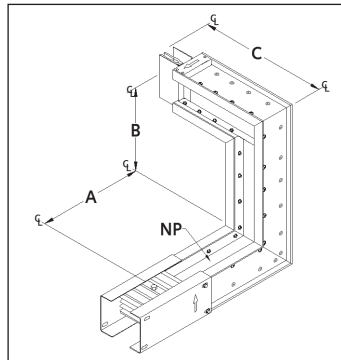
**Flat Right - Edge Up**

**Suffix CORU**



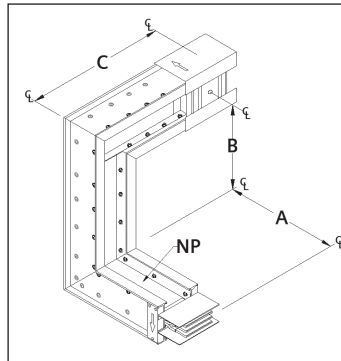
**Edge Up - Flat Left**

**Suffix COUL**



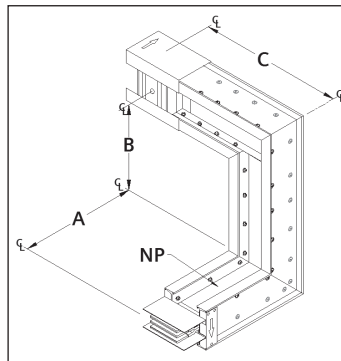
**Flat Right - Edge Down**

**Suffix CORD**



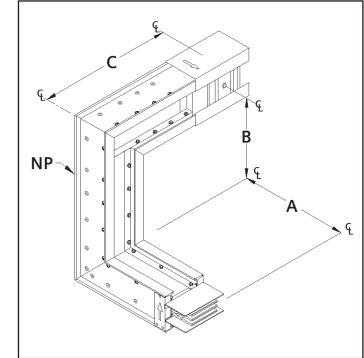
**Edge Down - Flat Left**

**Suffix CODL**



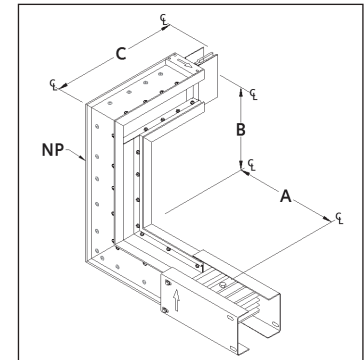
**Flat Left - Edge Up**

**Suffix COLU**



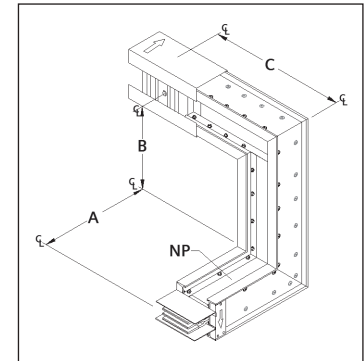
**Edge Up - Flat Right**

**Suffix COUR**



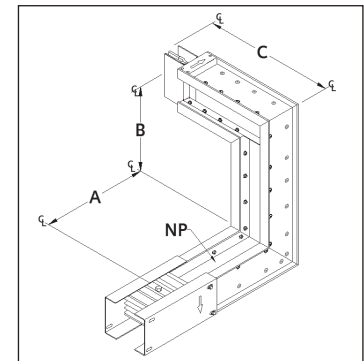
**Flat Left - Edge Down**

**Suffix COLD**



**Edge Down - Flat Right**

**Suffix CODR**



# Sentron® Busway Systems – Reference Information

## Tees

Tees are used to simplify directional and plane orientation changes in a busway system. Tees can make 90° bends left or right, and up and down along the busway run. All tees are supplied with two joint stack assemblies.

Flatwise Tees, Dimensions (standard/min.)		
Ampere Rating		Dimensions Inches (mm) "A", "B", "C"
<b>AL</b>	<b>L-Rated</b>	
225	—	12 (305)
400	—	12 (305)
600	—	12 (305)
800	400	12 (305)
1000	600	12 (305)
1200	800	12 (305)
1350	1000	12 (305)
1600	1200	18 (457)
2000	1350,1600	18 (457)
2500	2000	18 (457)
3000	2500	18 (457)
3200	2000	18 (457)
4000	3000,3200	24 (610)
<b>CU</b>	<b>M-Rated</b>	
225	—	12 (305)
400	—	12 (305)
600	—	12 (305)
800	400	12 (305)
1000	—	12 (305)
1200	600	12 (305)
1350	800	12 (305)
1600	1000	12 (305)
2000	1200,1350	12 (305)
—	1600	18 (457)
2500	2000	18 (457)
3000	—	18 (457)
3200	—	18 (457)
4000	2500,3000,3200	18 (457)
5000	4000	24 (610)

Edgewise Tees, Dimensions (standard/min.)		
Ampere Rating		Dimensions Inches (mm) "D"
<b>AL</b>	<b>L-Rated</b>	
225	—	13 (330)
400	—	13 (330)
600	—	13 (330)
800	400	13 (330)
1000	600	13 (330)
1200	800	18 (457)
1350	1000	18 (457)
1600	1200	18 (457)
2000	1350,1600	18 (457)
2500	2000	27 (686)
3000	2500	27 (686)
3200	2000	27 (686)
4000	3000,3200	29 (737)
<b>CU</b>	<b>M-Rated</b>	
225	—	13 (330)
400	—	13 (330)
600	—	13 (330)
800	400	13 (330)
1000	—	13 (330)
1200	600	13 (330)
1350	800	13 (330)
1600	1000	18 (457)
2000	1200,1350	18 (457)
—	1600	18 (457)
2500	2000	18 (457)
3000	—	27 (686)
3200	—	27 (686)
4000	2500,3000,3200	27 (686)
5000	4000	29 (737)

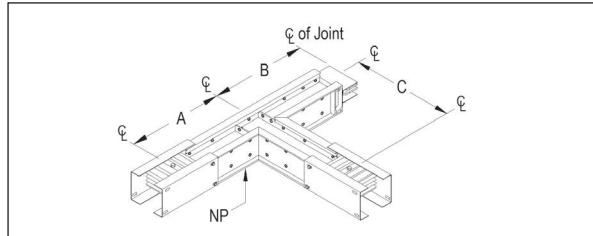
Ⓞ 12.0" (305mm) For Isolated Ground.

### Flatwise Tees

Flatwise tees are used to create left and right branches.

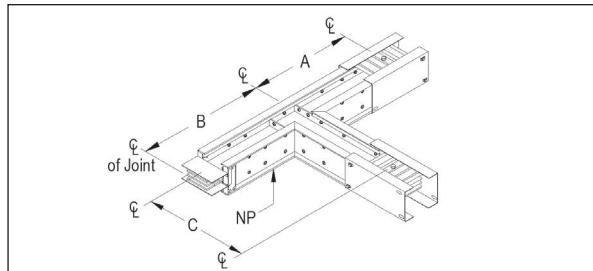
#### Flat Right

Suffix TEFR



#### Flat Left

Suffix TEFL

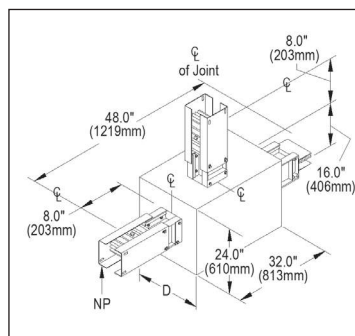


### Edgewise Tees

Edgewise tees are used to create branches that stem up or down from the busway run.

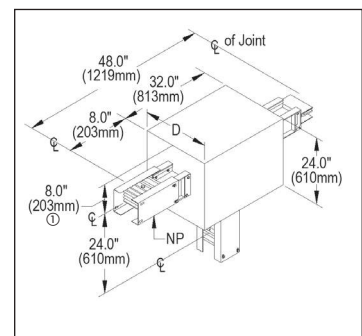
#### Edge Up

Suffix TEEU



#### Edge Down

Suffix TEED



# Sentron® Busway Systems – Reference Information

## End Tap Boxes

*Selection*

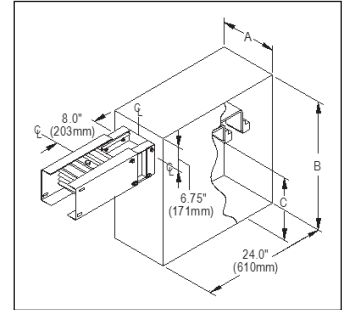
End tap boxes are non-fusible devices used to connect cable and conduit to the end of a busway run or where busway runs connect without the need for over-current protection. End tap boxes may be installed at the end or beginning of a run. Vertical end tap boxes and horizontal end tap boxes can be installed in both horizontal and vertical applications. Extended end tap boxes are available if the application requires additional wire bending space. One joint stack assembly is shipped with each end tap box.

BUSWAY SYSTEMS 13

Standard and Extended Horizontal End Tap Boxes, Dimensions									
Ampere Rating		Dimensions Inches (mm)			Wire Bend Space		Cable Lugs		Ground Lugs <sup>①</sup>
		"A"	"B" Std.	"B" Ext.	"C" Std.	"C" Ext.	Per Phase & Neutral Qty.	Size	
<b>AL</b>	<b>L-Rated</b>								
225	—	13 (330)	30 (762)	34 (863)	17 (432)	21 (533)	1	①	1
400	—	13 (330)	30 (762)	34 (863)	17 (432)	21 (533)	1	②	1
600	—	13 (330)	30 (762)	34 (863)	17 (432)	21 (533)	2	②	1
800	400	13 (330)	30 (762)	34 (863)	17 (432)	21 (533)	3	②	1
1000	600	13 (330)	30 (762)	34 (863)	17 (432)	21 (533)	4	②	1
1200	800	18 (457)	32 (813)	37 (940)	20 (508)	24 (610)	4	②	1
1350	1000	18 (457)	33 (838)	37 (940)	20 (508)	24 (610)	4	②	1
1600	1200	18 (457)	33 (838)	37 (940)	20 (508)	24 (610)	6	②	2
2000	1350,1600	18 (457)	33 (838)	37 (940)	20 (508)	24 (610)	6	②	2
2500	2000	27 (686)	33 (838)	37 (940)	20 (508)	24 (610)	8	②	2
3000	2500	27 (686)	33 (838)	37 (940)	20 (508)	24 (610)	9	②	2
3200	2000	27 (686)	33 (838)	37 (940)	20 (508)	24 (610)	9	②	2
4000	3000,3200	29 (737)	33 (838)	37 (940)	20 (508)	24 (610)	12	②	3
<b>CU</b>	<b>M-Rated</b>								
225	—	13 (330)	30 (762)	34 (863)	17 (432)	21 (533)	1	①	1
400	—	13 (330)	30 (762)	34 (863)	17 (432)	21 (533)	1	②	1
600	—	13 (330)	30 (762)	34 (863)	17 (432)	21 (533)	2	②	1
800	400	13 (330)	30 (762)	34 (863)	17 (432)	21 (533)	3	②	1
1000	—	13 (330)	30 (762)	34 (863)	17 (432)	21 (533)	4	②	1
1200	600	13 (330)	33 (838)	37 (940)	20 (508)	24 (610)	4	②	1
1350	800	13 (330)	33 (838)	37 (940)	20 (508)	24 (610)	4	②	1
1600	1000	18 (457)	33 (838)	37 (940)	20 (508)	24 (610)	5	②	1
2000	1200,1350	18 (457)	33 (838)	37 (940)	20 (508)	24 (610)	6	②	2
—	1600	18 (457)	33 (838)	37 (940)	20 (508)	24 (610)	5	②	1
2500	2000	18 (457)	33 (838)	37 (940)	20 (508)	24 (610)	8	②	2
3000	—	27 (686)	33 (838)	37 (940)	20 (508)	24 (610)	9	②	2
3200	—	27 (686)	33 (838)	37 (940)	20 (508)	24 (610)	9	②	2
4000	2500,3000,3200	27 (686)	33 (838)	37 (940)	20 (508)	24 (610)	12	②	3
5000	4000	29 (737)	33 (838)	37 (940)	20 (508)	24 (610)	15	②	4

### Horizontal End Tap Box

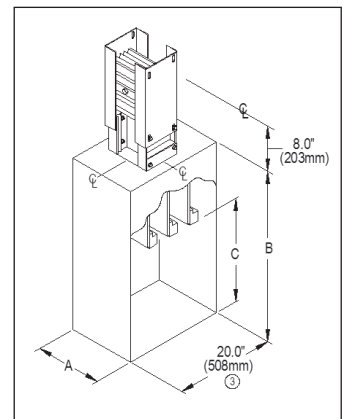
Suffix ETHS (Standard)  
Suffix ETHX (Extended)



Standard and Extended Vertical End Tap Boxes, Dimensions									
Ampere Rating		Dimensions Inches (mm)			Wire Bend Space		Cable Lugs		Ground Lugs <sup>①</sup>
		"A"	"B" Std.	"B" Ext.	"C" Std.	"C" Ext.	Per Phase & Neutral Qty.	Size	
<b>AL</b>	<b>L-Rated</b>								
225	—	13 (330)	25 (635)	29 (737)	17 (432)	21 (533)	1	①	1
400	—	13 (330)	25 (635)	29 (737)	17 (432)	21 (533)	1	②	1
600	—	13 (330)	25 (635)	29 (737)	17 (432)	21 (533)	2	②	1
800	400	13 (330)	25 (635)	29 (737)	17 (432)	21 (533)	3	②	1
1000	600	13 (330)	25 (635)	29 (737)	17 (432)	21 (533)	4	②	1
1200	800	18 (457)	32 (813)	32 (813)	20 (508)	24 (610)	4	②	1
1350	1000	18 (457)	28 (711)	32 (813)	20 (508)	24 (610)	4	②	1
1600	1200	18 (457)	28 (711)	32 (813)	20 (508)	24 (610)	6	②	2
2000	1350,1600	18 (457)	28 (711)	32 (813)	20 (508)	24 (610)	6	②	2
2500	2000	27 (686)	28 (711)	32 (813)	20 (508)	24 (610)	8	②	2
3000	2500	27 (686)	28 (711)	32 (813)	20 (508)	24 (610)	9	②	2
3200	2000	29 (737)	28 (711)	32 (813)	20 (508)	24 (610)	9	②	2
4000	3000,3200	29 (737)	28 (711)	32 (813)	20 (508)	24 (610)	12	②	3
<b>CU</b>	<b>M-Rated</b>								
225	—	13 (330)	25 (635)	29 (737)	17 (432)	21 (533)	1	①	1
400	—	13 (330)	25 (635)	29 (737)	17 (432)	21 (533)	1	②	1
600	—	13 (330)	25 (635)	29 (737)	17 (432)	21 (533)	2	②	1
800	400	13 (330)	25 (635)	29 (737)	17 (432)	21 (533)	3	②	1
1000	—	13 (330)	25 (635)	29 (737)	17 (432)	21 (533)	4	②	1
1200	600	13 (330)	28 (711)	32 (813)	20 (508)	24 (610)	4	②	1
1350	800	13 (330)	28 (711)	32 (813)	20 (508)	24 (610)	4	②	1
1600	1000	18 (457)	28 (711)	32 (813)	20 (508)	24 (610)	5	②	1
2000	1200,1350	18 (457)	28 (711)	32 (813)	20 (508)	24 (610)	6	②	2
—	1600	18 (457)	28 (711)	32 (813)	20 (508)	24 (610)	5	②	1
2500	2000	18 (457)	28 (711)	32 (813)	20 (508)	24 (610)	8	②	2
3000	—	27 (686)	28 (711)	32 (813)	20 (508)	24 (610)	9	②	2
3200	—	27 (686)	28 (711)	32 (813)	20 (508)	24 (610)	9	②	2
4000	2500,3000,3200	27 (686)	28 (711)	32 (813)	20 (508)	24 (610)	12	②	3
5000	4000	29 (737)	28 (711)	32 (813)	20 (508)	24 (610)	15	②	4

### Vertical End Tap Box

Suffix ETVS (Standard)  
Suffix ETVX (Extended)



① #6 AWG -350 kcmil, Cu/Al.

② #4 AWG -600 kcmil, Cu/Al.

③ 24.0" (610mm) for isolated ground.

# Sentron® Busway Systems – Reference Information

## Center Tap Boxes

*Selection*

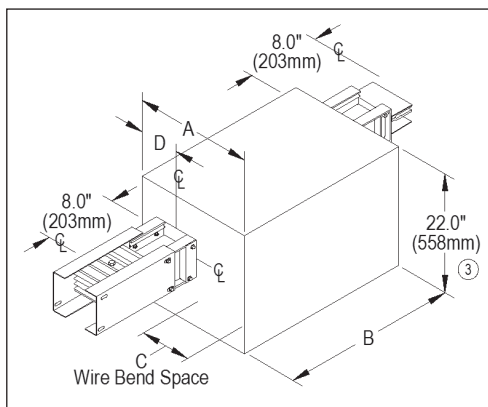
Center tap boxes are non-fusible devices utilized to feed to or take off power from the busway run. When loads served by the busway run do not require over-current protection, center tap boxes may be used. If the application requires additional wiring bending space, extended center tap boxes are available. One joint stack assembly is provided with each center tap box.

Standard and Extended Center End Tap Boxes, Dimensions									
Ampere Rating	Dimensions Inches (mm)			Wire Bend Space			Cable Lugs Per Phase & Neutral		Ground Lugs <sup>①</sup>
	"A" Std.	"B"	"D"	"A" Ext.	"C" Std.	"C" Ext.	Qty.	Size	
<b>AL L-Rated</b>									
225 —	25 (635)	16 (406)	3.9 (99)	29 (737)	17 (432)	21 (533)	1	①	1
225 —	25 (635)	16 (406)	3.9 (99)	29 (737)	17 (432)	21 (533)	1	②	1
400 —	25 (635)	16 (406)	3.9 (99)	29 (737)	17 (432)	21 (533)	1	②	1
600 —	25 (635)	16 (406)	3.9 (99)	29 (737)	17 (432)	21 (533)	2	②	1
800 400	25 (635)	16 (406)	4.2 (107)	29 (737)	17 (432)	21 (533)	3	②	1
1000 600	25 (635)	16 (406)	4.6 (117)	29 (737)	17 (432)	21 (533)	4	②	1
1200 800	29 (737)	16 (406)	5.2 (132)	33 (838)	20 (508)	24 (610)	4	②	1
1350 1000	29 (737)	16 (406)	5.7 (145)	33 (838)	20 (508)	24 (610)	4	②	1
1600 1200	33 (838)	20 (508)	6.3 (160)	37 (940)	20 (508)	24 (610)	5	②	1
2000 1350,1600	33 (838)	20 (508)	7.4 (188)	37 (940)	20 (508)	24 (610)	6	②	2
2500 2000	37 (940)	24 (610)	8.7 (221)	41 (1041)	20 (508)	24 (610)	8	②	2
3000 2500	37 (940)	24 (610)	9.7 (246)	41 (1041)	20 (508)	24 (610)	9	②	2
3200 2000	37 (940)	24 (610)	9.7 (246)	41 (1041)	20 (508)	24 (610)	9	②	2
4000 3000,3200	45 (1143)	28 (711)	11.9 (302)	49 (1245)	20 (508)	24 (610)	12	②	3
<b>CU M-Rated</b>									
225 —	25 (635)	16 (406)	3.9 (99)	29 (737)	17 (432)	21 (533)	1	②	1
400 —	25 (635)	16 (406)	3.9 (99)	29 (737)	17 (432)	21 (533)	1	②	1
600 —	25 (635)	16 (406)	3.9 (99)	29 (737)	17 (432)	21 (533)	2	②	1
800 400	25 (635)	16 (406)	4.2 (107)	29 (737)	17 (432)	21 (533)	3	②	1
1000 —	25 (635)	16 (406)	4.2 (107)	29 (737)	18 (457)	22 (559)	4	②	1
1200 600	29 (737)	16 (406)	4.5 (114)	33 (838)	22 (559)	26 (660)	4	②	1
1350 800	29 (737)	16 (406)	4.8 (122)	33 (838)	21 (533)	25 (635)	4	②	1
1600 1000	29 (737)	20 (508)	5.3 (135)	33 (838)	21 (533)	25 (635)	5	②	1
2000 1200,1350	29 (737)	20 (508)	6.1 (155)	33 (838)	20 (508)	24 (610)	6	②	2
— 1600	33 (838)	20 (508)	6.3 (160)	37 (940)	20 (508)	24 (610)	5	②	1
2500 2000	33 (838)	24 (610)	7.3 (185)	37 (940)	23 (584)	17 (432)	8	②	2
3000 —	33 (838)	24 (610)	7.9 (201)	37 (940)	20 (508)	24 (610)	9	②	2
3200 —	33 (838)	24 (610)	7.9 (201)	37 (940)	20 (508)	24 (610)	9	②	2
4000 2500,3000,3200	37 (940)	28 (711)	9.4 (239)	41 (1041)	20 (508)	24 (610)	12	②	3
5000 4000	40(1016)	34 (863)	11.7(297)	44 (1118)	19 (483)	23 (584)	15	②	4

### Center Tap Box

Suffix CTBS (Standard)

Suffix CTBX (Extended)



① #6 AWG -350 kcmil, Cu/Al.  
 ② #4 AWG -600 kcmil, Cu/Al.  
 ③ 24.0" (610mm) for isolated ground.

# Sentron® Busway Systems – Reference Information

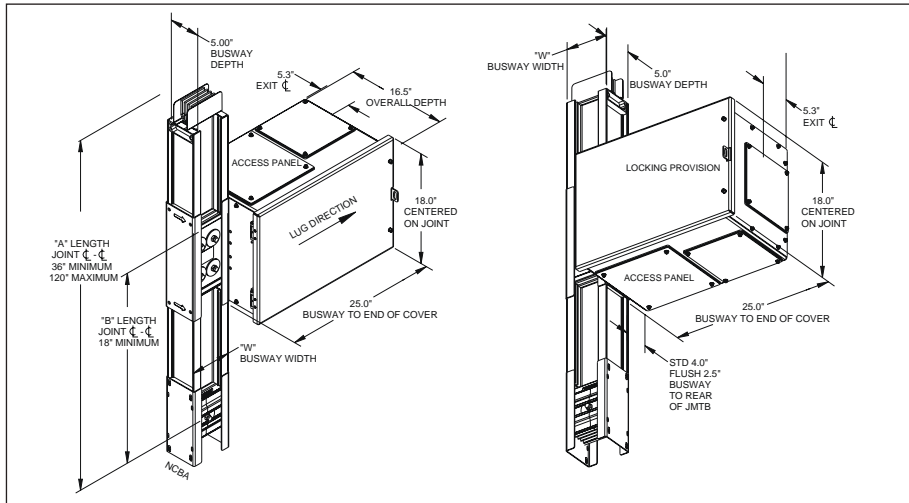
*Selection*

## Joint Mounted Tap Boxes

The joint mounted tap box (JMTB) is used to tap off power via the busway joint. This device does not provide over-current protection and therefore, must be installed in compliance with

NEC 240.21(B)<sup>①</sup>. The small footprint is ideal for space limited applications. The JMTB is compatible with Power Mod, Lighting Panels, Power Panels, and Switchboards 1200A and lower.

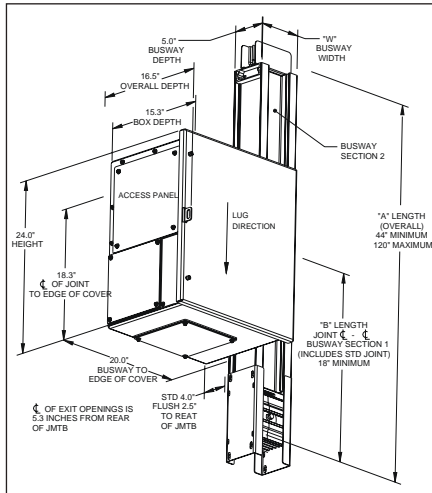
### Horizontal Orientation JMTB



### Product Features

- Lug Orientation: Vertical or Horizontal
- Maximum Voltage: 600V
- Maximum UL Short Circuit Rating: 150kA<sup>②</sup>
- Amperage Range: 100- 1200A
- Lug Type: Compression Only

### Vertical Orientation JMTB



### Configuration Types

Given a vertical bus run, the JMTB can be configured such that it is on the Left, Right, or Both sides. The JMTB is shipped from the factory installed on the busway.

When installed on vertical busway, the lug orientation matches the orientation of the tap box. If using the horizontal JMTB the lug orientation will be left/right, if vertical JMTB it will be up/down.

The standard JMTB extends 4\"/>

### Compression Lugs

The JMTB requires compression lugs, which aid in minimizing product size. The JMTB is shipped with UL listed crimp type compression lugs, which are sized to the amperage of the load side device.

Should additional lugs be required, please reference the table below. The JMTB utilizes general purpose aluminum 2 hole NEMA lugs, compatible with Aluminum and Copper wire. Homac AL-N series or equivalent are recommended.<sup>③</sup>

If housing ground is selected the JMTB will contain a standard 4-hole NEMA pattern on a dedicated ground bar. If internal/isolated ground is selected, two ground bars will be included, each with the standard NEMA 4-hole pattern.

### Compression Lugs

Wire size	Straight Lug Catalogue Number	Stacking Lug Catalogue Number
1/0	AL1/0-NTN	ASL1/0-NTN
2/0	AL2/0-NTN	ASL2/0-NTN
3/0	AL3/0-NTN	ASL3/0-NTN
4/0	AL4/0-NTN	ASL4/0-NTN
250	AL250-NTN	ASL250-NTN
300	AL300-NTN	ASL300-NTN
350	AL350-NTN	ASL350-NTN

<sup>①</sup> This device requires compliance with NEC 240.21(B), see 2017 NEC, commonly referred to as the 10ft feeder tap rule. Feeder tap conductors cannot be over 10ft

without overcurrent protection. Main circuit protection device is required downstream. Please reference the NEC before using this device.

<sup>②</sup> For series ratings reference the short circuit table in the Technical Data section.

<sup>③</sup> Replacement lugs to be supplied by others.



# Sentron® Busway Systems – Reference Information

## TBNK Fittings for Joint Mounted Tap Boxes

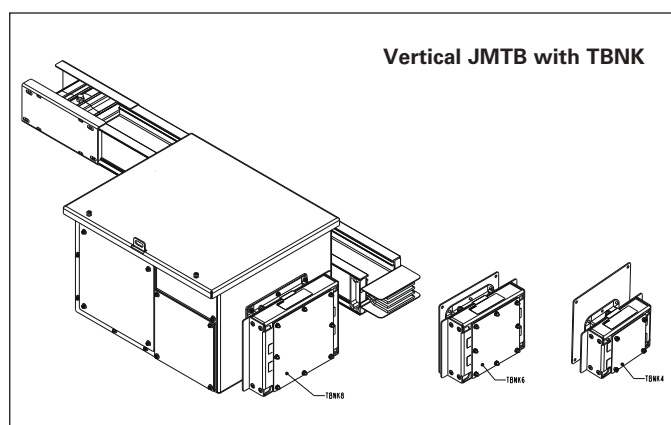
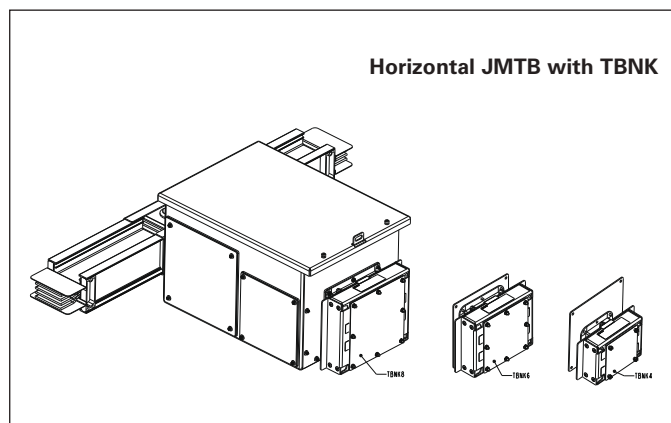
*Selection*

### TBNK flexible fittings

TBNK flexible fittings are a factory installed series of wireway couplings for use with Sentron Joint Mounted Tap Boxes (JMTB's). TBNK fittings provide a nominal 4.25" long flexible wireway for coupling the JMTB and rigidly mounted downstream equipment. TBNK fittings allow for expansion and contraction of the Busway absorbing up to an inch of movement. Available in 4, 6, and 8-inch sizes, TBNK fittings are suitable for a wide range of equipment amperages and cabling requirements. TBNK fittings if desired should be selected when ordering Sentron JMTB's.

### Installation and Grounding

TBNK flexible fittings must be field installed onto downstream equipment. JMTB's ordered with TBNK fittings include Installation Instructions and a template for making the required cut-out in the downstream equipment enclosure. Location of equipment, cut out and cabling must comply with applicable standards including NEC, Local Building Codes and any other authorities having jurisdiction. Consult codes in advance to assure compliance. The JMTB is shipped from the factory with a braided copper ground cable riveted onto the TBNK. During installation, the opposite end of the ground cable must be connected to the enclosure of the downstream equipment. The Installation Instructions provide details of the ground cable installation procedure.



### TBNK flexible fittings

Catalogue Number	Cutout Size	Wireway Size	Maximum Cable Size
TBNK4	3.8" x 3.8"	4" x 4" (16 sq. inch)	900MCM
TBNK6	5.8" x 5.8"	6" x 6" (36 sq. inch)	500MCM
TBNK8	7.8" x 7.8"	8" x 8" (64 sq. inch)	4/0

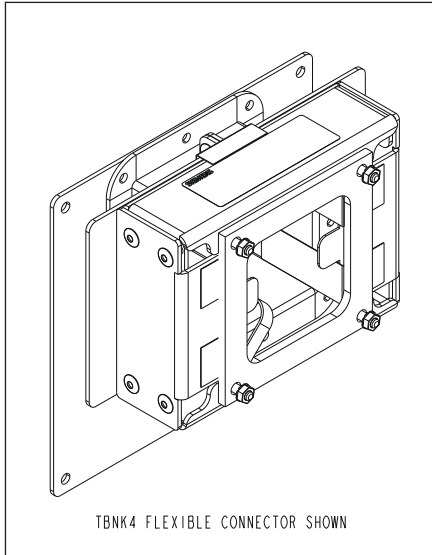


# Sentron® Busway Systems – Reference Information

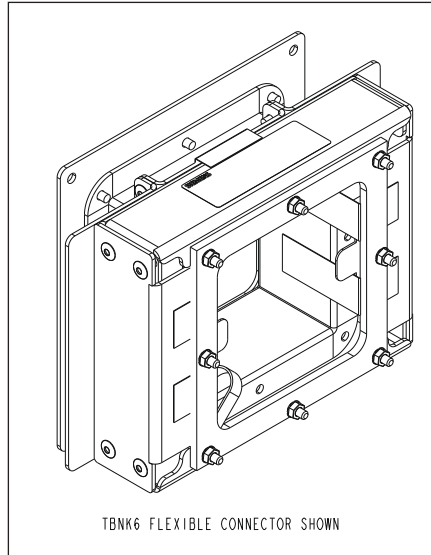
## TBNK Fittings for Joint Mounted Tap Boxes

*Selection*

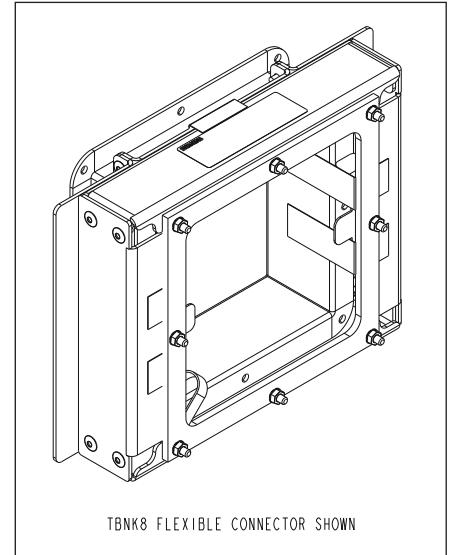
TBNK4, TBNK6 and TBNK8



TBNK4 FLEXIBLE CONNECTOR SHOWN

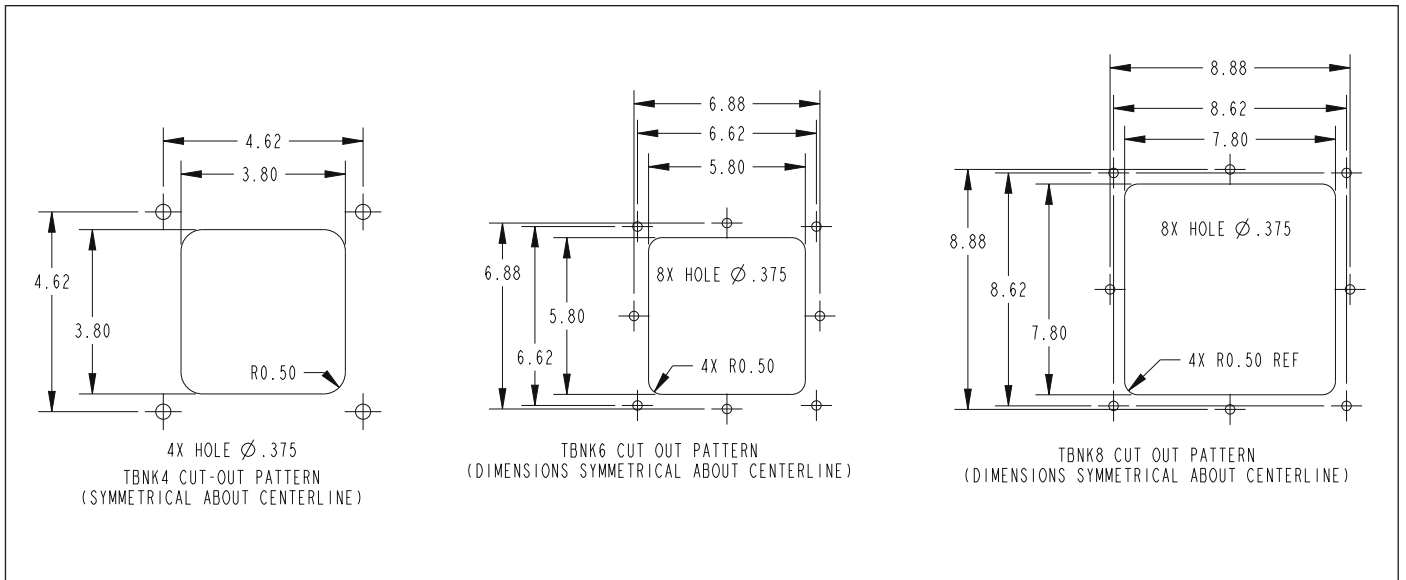


TBNK6 FLEXIBLE CONNECTOR SHOWN



TBNK8 FLEXIBLE CONNECTOR SHOWN

TBNK cut out pattern



# Sentron® Busway Systems – Reference Information

## Expansion Fittings

*Selection*

Expansion Fittings, Dimensions (standard/min.)		Dimensions Inches (mm) "A"
Ampere Rating		
<b>AL</b>	<b>L-Rated</b>	
225	—	13 (330)
400	—	13 (330)
600	—	13 (330)
800	400	13 (330)
1000	600	13 (330)
1200	800	18 (457)
1350	1000	18 (457)
1600	1200	18 (457)
2000	1350,1600	18 (457)
2500	2000	23 (584)
3000	2500	23 (584)
3200	2000	25 (635)
4000	3000,3200	25 (635)
<b>CU</b>	<b>M-Rated</b>	
225	—	13 (330)
400	—	13 (330)
600	—	13 (330)
800	400	13 (330)
1000	—	13 (330)
1200	600	13 (330)
1350	800	13 (330)
1600	1000	18 (457)
2000	1200,1350	18 (457)
—	1600	18 (457)
2500	2000	18 (457)
3000	—	23 (584)
3200	—	23 (584)
4000	2500,3000,3200	23 (584)
5000	4000	25 (635)

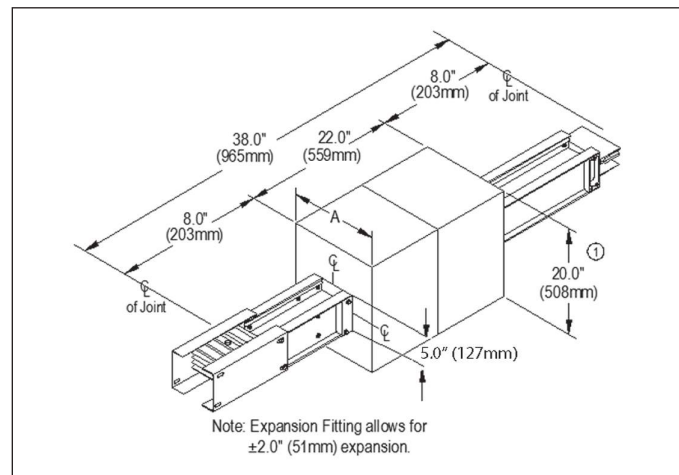
### Expansion Fittings

Expansion fittings accommodate for expansion and contraction of a busway run and building movement. Expansion fittings typically are installed in the center of long busway runs, and at the beginning of riser runs (within the first 20ft of vertical busway when total vertical run length is equal to or greater than 40ft) to minimize stress on the lower most device or where a busway run crosses an expansion joint of a building.

Qty (1) Expansion Section should be used for every 200ft of continuous Busway run length, at every transition to a vertical run, and at each building expansion joint. The Busway run must be positioned accordingly to accommodate the Expansion Section(s).

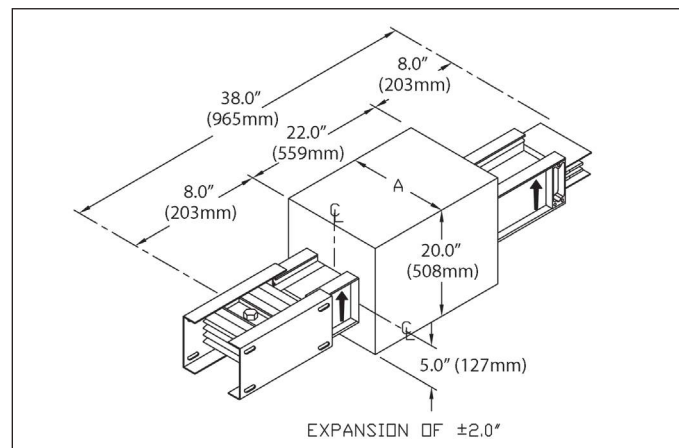
### Expansion Fitting

#### Suffix XPFT



### Flush Mount Expansion Fitting

Often useful in riser application, flush mount expansion fittings allow for the busway to be positioned closer to building walls (reference page <?> for minimum required clearances). The flush mount design shifts the centerline of the busway up or down by 5 in. on the 20 in. height axis shown above.



© 24.0" (610mm) for isolated ground.

# Sentron® Busway Systems – Reference Information

## Reducers and Phase Rotation Fittings

*Selection*

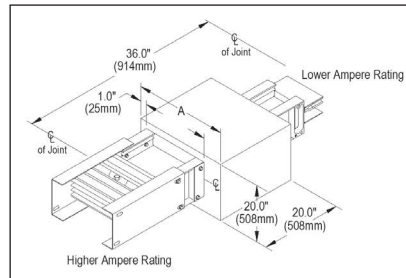
Fused Reducers, Dimensions (standard/min.)		Dimensions Inches (mm) "A"
Ampere Rating		
<b>AL</b>	<b>L-Rated</b>	
225	—	11.4 (289)
400	—	11.4 (289)
600	—	11.4 (289)
800	400	11.4 (289)
1000	600	11.4 (289)
1200	800	12.5 (318)
1350	1000	13.5 (343)
1600	1200	14.6 (372)
2000	1350,1600	16.9 (429)
2500	2000	19.6 (498)
3000	2500	21.3 (541)
3200	2000	22.9 (582)
4000	3000,3200	31.5 (800)
<b>CU</b>	<b>M-Rated</b>	
225	—	10.4 (264)
400	—	10.4 (264)
600	—	10.4 (264)
800	400	10.4 (264)
1000	—	10.4 (264)
1200	600	11.0 (280)
1350	800	11.6 (296)
1600	1000	12.6 (321)
2000	1200,1350	14.1 (359)
—	1600	14.6 (372)
2500	2000	16.6 (423)
3000	—	17.9 (455)
3200	—	18.9 (480)
4000	2500,3000,3200	20.9 (531)
5000	4000	31.5 (800)

### Fused Reducers

The National Electric Code requires over current protection when busway systems are reduced in ampacity. A fused reducer is used to reduce the allowable ampere rating in those sections of the busway that do not require a higher rating (i.e. at branch circuit junctures).

#### Fused Reducer

##### Suffix RFRF



### Non-Fused Reducers

Non-fused reducers are used in conjunction with the following exception to the Fused Reducer in the National Electric Code: "For industrial establishments only, omission of over current protection shall be permitted at points where busways are reduced in ampacity, provided that the length of the busway having the smaller ampacity does not exceed 50 ft. and has an ampacity of at least equal to one-third the rating or setting of the over current device next back on the line, and provided that such busway is free from contact with combustible material." Special joint stack connections are provided for non-fused reducer connections. Consult factory for specific design guidelines.

Phase Rotation Fittings, Dimensions (standard/min.)		Dimensions Inches (mm) "A"
Ampere Rating		
<b>AL</b>	<b>L-Rated</b>	
225	—	7.9 (200)
400	—	7.9 (200)
600	—	7.9 (200)
800	400	8.5 (216)
1000	600	9.4 (239)
1200	800	10.5 (267)
1350	1000	11.5 (293)
1600	1200	12.6 (321)
2000	1350,1600	14.9 (376)
2500	2000	17.6 (447)
3000	2500	19.8 (503)
3200	2000	21.3 (541)
4000	3000,3200	24.3 (617)
<b>CU</b>	<b>M-Rated</b>	
225	—	7.9 (200)
400	—	7.9 (200)
600	—	7.9 (200)
800	400	7.9 (200)
1000	—	8.4 (213)
1200	600	9.0 (229)
1350	800	9.6 (245)
1600	1000	10.6 (270)
2000	1200,1350	12.1 (372)
—	1600	12.6 (321)
2500	2000	14.6 (200)
3000	—	15.8 (402)
3200	—	17.3 (439)
4000	2500,3000,3200	19.3 (490)
5000	4000	23.3 (592)

### Phase-Rotation Fittings

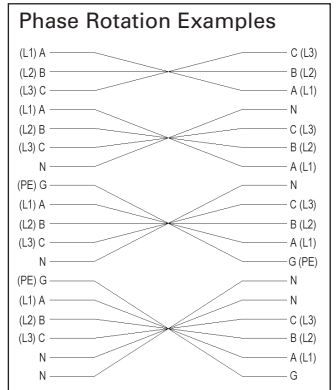
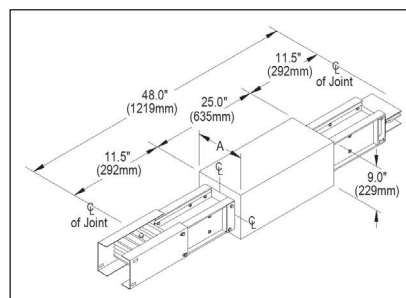
Phase-rotation fittings can be used when the application requires a phase rotation in the power supply. Phase rotation fittings can be ordered for "phase and ground", "phase only" and "ground only" rotations.

#### Phase Rotation Fitting

##### Suffix TRPG, Phase and Ground

##### TRPO, Phase Only

##### TRGO, Ground Only



# Sentron® Busway Systems – Reference Information

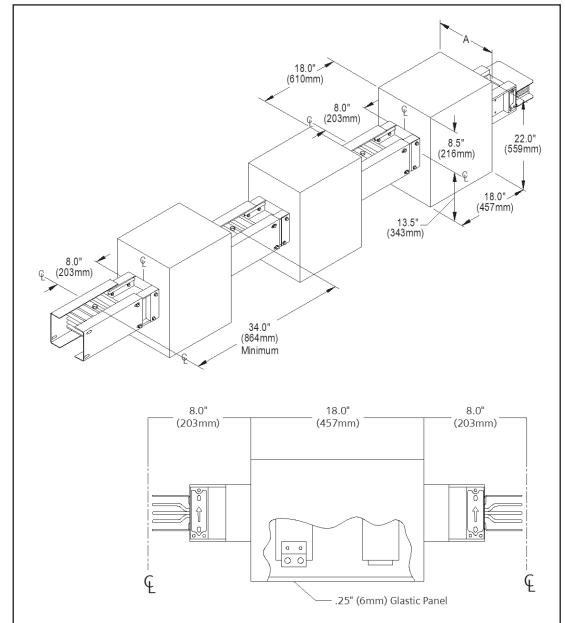
## Service Heads

## Selection

Service Heads are used to connect busway to a service entrance. In the Sentron Busway line, 3 single-phase service heads and 3-phase service head connections are available. The standard service entrance connection is the 3-phase service head which consists of one service head for all three phases. 3 single-phase service heads consist of three heads – one for each phase and may be used to meet the requirements of certain applications. To ensure ease of installation of incoming cables, both types of Sentron service heads are constructed so that the lugs face the Glastic bottom of the box. The Glastic bottom provides insulation and protection to the incoming cables.

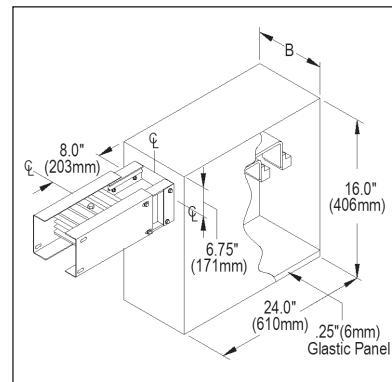
Single-Phase Service Heads, Dimensions (standard/min.)						
Ampere Rating		Dimensions Inches (mm)		Cable Lugs per Phase and Neutral		Ground Lugs <sup>①</sup>
		Single-Phase "A"		Qty.	Size	
<b>AL</b>	<b>L-Rated</b>					
225		13 (330)		1	①	1
400	225	13 (330)		1	②	1
600	—	13 (330)		2	②	1
800	400	13 (330)		3	②	1
1000	600	13 (330)		4	②	1
1200	800	18 (457)		4	②	1
1350	1000	18 (457)		4	②	1
1600	1200	18 (457)		5	②	1
2000	1350,1600	20 (508)		6	②	2
2500	2000	27 (686)		8	②	2
3000	2500	29 (737)		9	②	2
3200	2000	29 (737)		9	②	2
4000	3000,3200	29 (737)		12	②	3
<b>CU</b>	<b>M-Rated</b>					
225		13 (330)		1	①	1
400		13 (330)		1	②	1
600		13 (330)		2	②	1
800	400	13 (330)		3	②	1
1000	—	13 (330)		4	②	1
1200	600	13 (330)		4	②	1
1350	800	13 (330)		4	②	1
1600	1000	18 (457)		5	②	1
2000	1200,1350	20 (508)		6	②	2
—	1600	18 (457)		5	②	1
2500	2000	20 (508)		8	②	2
3000	—	27 (686)		9	②	2
3200	—	27 (686)		9	②	2
4000	2500,3000,3200	27 (686)		12	②	3
5000	4000	29 (737)		15	②	4

### Three Single-Phase Service Heads Suffix V1TX



Three-Phase Service Heads, Dimensions (standard/min.)						
Ampere Rating		Dimensions Inches (mm)		Cable Lugs per Phase and Neutral		Ground Lugs <sup>①</sup>
		Three-Phase "B"		Qty.	Size	
<b>AL</b>	<b>L-Rated</b>					
225		13 (330)		1	①	1
400	225	13 (330)		1	②	1
600	—	13 (330)		2	②	1
800	400	13 (330)		3	②	1
1000	600	13 (330)		4	②	1
1200	800	18 (457)		4	②	1
1350	1000	18 (457)		4	②	1
1600	1200	18 (457)		5	②	1
2000	1350,1600	18 (457)		6	②	2
2500	2000	27 (686)		8	②	2
3000	2500	27 (686)		9	②	2
3200	2000	27 (686)		9	②	2
4000	3000,3200	29 (737)		12	②	3
<b>CU</b>	<b>M-Rated</b>					
225		13 (330)		1	①	1
400		13 (330)		1	②	1
600		13 (330)		2	②	1
800	400	13 (330)		3	②	1
1000	—	13 (330)		4	②	1
1200	600	13 (330)		4	②	1
1350	800	13 (330)		4	②	1
1600	1000	18 (457)		5	②	1
2000	1200,1350	18 (457)		6	②	2
—	1600	18 (457)		5	②	1
2500	2000	18 (457)		8	②	2
3000	—	27 (686)		9	②	2
3200	—	27 (686)		9	②	2
4000	2500,3000,3200	27 (686)		12	②	3
5000	4000	29 (737)		15	②	4

### Three-Phase Service Head Suffix V3TX



① #6 AWG - 350 kcmil, Cu / Al.

② #4 AWG - 600 kcmil, Cu / Al.

# Sentron® Busway Systems – Reference Information

## Hangers

*Selection*

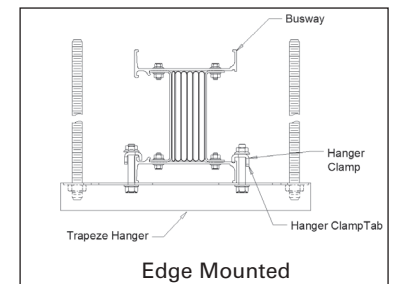
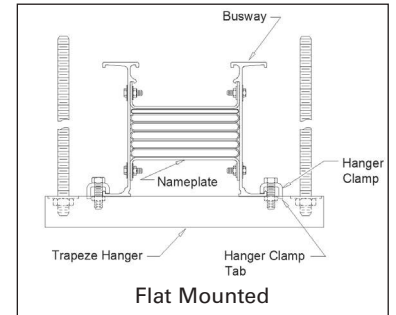
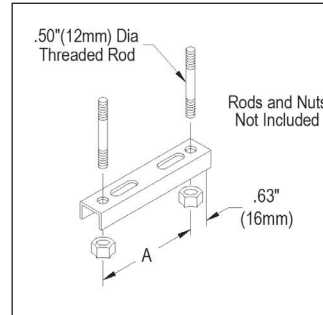
### Trapeze Hanger—Aluminum (AL) and Copper (CU)

Ampere Rating		"A" Dimensions		Flat Mounted
		Inches (mm)		Catalogue Number <sup>①</sup>
<b>AL</b>	<b>L-Rated</b>			
225	—	10.0 (254)		SXTH1
400	—	10.0 (254)		SXTH1
600	—	10.0 (254)		SXTH1
800	400	10.0 (254)		SXTH1
1000	600	10.0 (254)		SXTH1
1200	800	10.0 (254)		SXTH1
1350	1000	13.5 (343)		SXTH2
1600	1200	13.5 (343)		SXTH2
2000	1350,1600	13.5 (343)		SXTH2
2500	2000	13.5 (343)		SXTH3
3000	2500	13.5 (343)		SXTH3
3200	2000	13.5 (343)		SXTH3
4000	3000,3200	23.0 (584)		SXTH4
<b>CU</b>	<b>M-Rated</b>			
225	—	10.0 (254)		SXTH1
400	—	10.0 (254)		SXTH1
600	—	10.0 (254)		SXTH1
800	400	10.0 (254)		SXTH1
1000	—	10.0 (254)		SXTH1
1200	600	10.0 (254)		SXTH1
1350	800	10.0 (254)		SXTH1
1600	1000	10.0 (254)		SXTH1
2000	1200,1350	13.5 (343)		SXTH2
—	1600	13.5 (343)		SXTH2
2500	2000	13.5 (343)		SXTH2
3000	—	18.5 (470)		SXTH3
3200	—	18.5 (470)		SXTH3
4000	2500,3000,3200	18.5 (470)		SXTH3
5000	4000	23.0 (584)		SXTH4

① Use SXTH1 for Edge Mounted.

### Trapeze Hanger

A complete offering of hangers is available to support Sentron Busway in both vertical and horizontal applications. Standard trapeze hangers support Sentron Busway in horizontal applications on 10 ft. (3.05m) centers. Additional hangers may be used if structural requirements mandate their use. The contractor must supply drop rods to complete assembly for trapeze hangers.



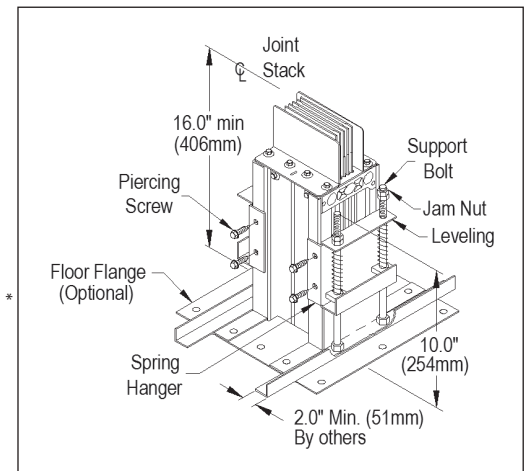
### Spring Hanger—Aluminum (AL) and Copper (CU)<sup>②</sup>

Ampere Rating		Floor to Ceiling Height (ft.)				
		10	12	14	16	18
<b>AL</b>	<b>L-Rated</b>					
225	—	SXSH4	SXSH4	SXSH4	SXSH4	SXSH4
400	—	SXSH4	SXSH4	SXSH4	SXSH4	SXSH4
600	—	SXSH4	SXSH4	SXSH4	SXSH4	SXSH4
800	400	SXSH4	SXSH4	SXSH4	SXSH6	SXSH6
1000	600	SXSH4	SXSH4	SXSH4	SXSH6	SXSH6
1200	800	SXSH4	SXSH4	SXSH4	SXSH6	SXSH6
1350	1000	SXSH4	SXSH4	SXSH6	SXSH6	SXSH6
1600	1200	SXSH8	SXSH8	SXSH8	SXSH8	SXSH8
2000	1350,1600	SXSH8	SXSH8	SXSH8	SXSH8	SXSH8
2500	2000	SXSH8	SXSH8	SXSH8	SXSH10	SXSH10
3000	2500	SXSH8	SXSH8	SXSH10	SXSH10	SXSH10
3200	2000	SXSH8	SXSH8	SXSH10	SXSH10	SXSH10
4000	3000,3200	SXSH8	SXSH10	SXSH10	SXSH10	SXSH12
<b>CU</b>	<b>M-Rated</b>					
225	—	SXSH4	SXSH4	SXSH4	SXSH4	SXSH4
400	—	SXSH4	SXSH4	SXSH4	SXSH4	SXSH4
600	—	SXSH4	SXSH4	SXSH4	SXSH4	SXSH4
800	400	SXSH4	SXSH4	SXSH6	SXSH6	SXSH6
1000	—	SXSH4	SXSH6	SXSH6	SXSH6	SXSH8
1200	600	SXSH6	SXSH6	SXSH6	SXSH8	SXSH8
1350	800	SXSH6	SXSH6	SXSH6	SXSH8	SXSH8
1600	1000	SXSH8	SXSH8	SXSH10	SXSH10	SXSH10
2000	1200,1350	SXSH8	SXSH10	SXSH10	SXSH10	SXSH12
2500	2000	SXSH10	SXSH12	SXSH12	SXSH12	SXSH14
3000	—	SXSH10	SXSH12	SXSH12	SXSH14	SXSH14
3200	—	SXSH12	SXSH12	SXSH14	SXSH14	SXSH12 + 1.25" Preload <sup>②</sup>
4000	2500, 3000, 3200	SXSH12	SXSH14	SXSH14	SXSH16 <sup>②</sup>	SXSH14 + 1.25" Preload <sup>②</sup>
5000	4000	SXSH14	SXSH12 + 1.25" Preload <sup>②</sup>	SXSH14 + 1.25" Preload <sup>②</sup>	SXSH16 + 1.25" Preload <sup>②</sup>	SXSH16 + 1.5" Preload <sup>②</sup>

Assuming 3P4W busway with no additional busway-supported weight per floor. This information is confirmed during the quotation process, for additional information please contact your local Siemens Sales representative.

### Spring Hanger

Spring hangers and floor support hangers must be used to provide secure mounting of the busway run in vertical applications. Spring hangers support the weight of the busway on each floor and also compensate for minimal building movement and thermal expansion. Maximum distance between spring hangers may not exceed 16 ft. (4.88m). When ordering 18 ft. (5.49m) floor to ceiling height assemblies, intermediate support hangers are necessary.



\*Note: Flanges do not offer support to the busway. Flanges provide a means of covering the hole created in the existing structure.

# Sentron® Busway Systems – Reference Information

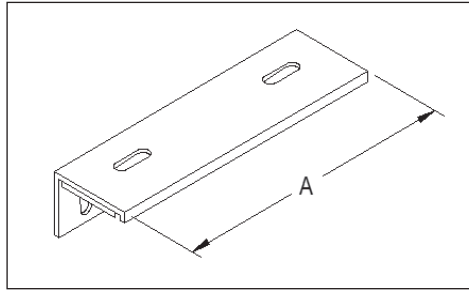
## Hangers

*Selection*

Structural Steel Hanger, Dimensions and Catalog Numbers			
Ampere Rating		"A" Dimensions Inches (mm)	Catalogue Number
<b>AL</b>	<b>L-Rated</b>		
225	—	10.0 (254)	<b>SXSS1</b>
400	—	10.0 (254)	<b>SXSS1</b>
600	—	10.0 (254)	<b>SXSS1</b>
800	400	10.0 (254)	<b>SXSS1</b>
1000	600	10.0 (254)	<b>SXSS1</b>
1200	800	10.0 (254)	<b>SXSS1</b>
1350	1000	13.5 (343)	<b>SXSS2</b>
1600	1200	13.5 (343)	<b>SXSS2</b>
2000	1350,1600	13.5 (343)	<b>SXSS2</b>
2500	2000	18.5 (470)	<b>SXSS3</b>
3000	2500	18.5 (470)	<b>SXSS3</b>
3200	2000	18.5 (470)	<b>SXSS3</b>
4000	3000,3200	23.0 (584)	<b>SXSS4</b>
<b>CU</b>	<b>M-Rated</b>		
225	—	10.0 (254)	<b>SXSS1</b>
400	—	10.0 (254)	<b>SXSS1</b>
600	—	10.0 (254)	<b>SXSS1</b>
800	400	10.0 (254)	<b>SXSS1</b>
1000	—	10.0 (254)	<b>SXSS1</b>
1200	600	10.0 (254)	<b>SXSS1</b>
1350	800	10.0 (254)	<b>SXSS1</b>
1600	1000	10.0 (254)	<b>SXSS1</b>
2000	1200,1350	13.5 (343)	<b>SXSS2</b>
—	1600	13.5 (343)	<b>SXSS2</b>
2500	2000	13.5 (343)	<b>SXSS2</b>
3000	—	13.5 (343)	<b>SXSS2</b>
3200	—	13.5 (343)	<b>SXSS2</b>
4000	2500,3000,3200	13.5 (343)	<b>SXSS2</b>
5000	4000	23.0 (584)	<b>SXSS4</b>

### Structural Steel Hanger

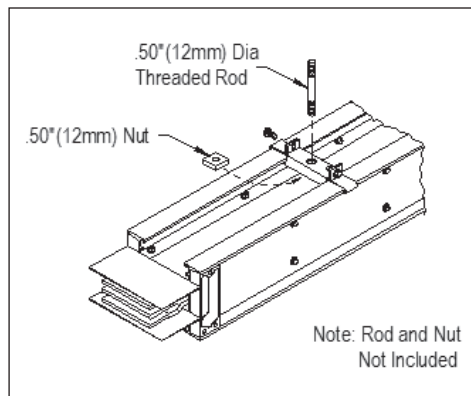
A complete offering of hangers is available to support Sentron Busway in both vertical and horizontal applications. Structural Steel hangers support Sentron Busway in horizontal applications on 10 ft. (3.05m) centers. Additional hangers may be used if structural requirements mandate their use.



Single Drop Rod Hanger, Catalog Numbers		
Ampere Rating		Catalog Number
<b>AL</b>	<b>L-Rated</b>	
225	—	<b>SXDRA1</b>
400	—	<b>SXDRA1</b>
600	—	<b>SXDRA1</b>
800	400	<b>SXDRA2</b>
1000	600	<b>SXDRA3</b>
1200	800	<b>SXDRA4</b>
1350	1000	<b>SXDRA5</b>
1600	1200	<b>SXDRA6</b>
2000	1350,1600	<b>SXDRA7</b>
2500	2000	—
3000	2500	—
3200	2000	—
4000	3000,3200	—
<b>CU</b>	<b>M-Rated</b>	
225	—	<b>SXDRC1</b>
400	—	<b>SXDRC1</b>
600	—	<b>SXDRC1</b>
800	400	<b>SXDRC1</b>
1000	—	<b>SXDRC2</b>
1200	600	<b>SXDRC3</b>
1350	800	<b>SXDRC4</b>
1600	1000	<b>SXDRC5</b>
2000	1200,1350	<b>SXDRC6</b>
—	1600	<b>SXDRC6</b>
2500	2000	<b>SXDRC7</b>
3000	—	—
3200	—	—
4000	2500,3000,3200	—
5000	4000	—

### Single Drop Rod Hanger

A complete offering of hangers is available to support Sentron Busway in both vertical and horizontal applications. Single drop rod hangers support Sentron Busway in horizontal applications on 10 ft. (3.05m) centers. Additional hangers may be used if structural requirements mandate their use. The contractor must supply drop rods to complete assembly for single drop rod hangers.



Note: Drop rod hangers can only be used when phase arrows are pointing up.



# Sentron® Busway Systems – Reference Information

## Hangers and End Closers

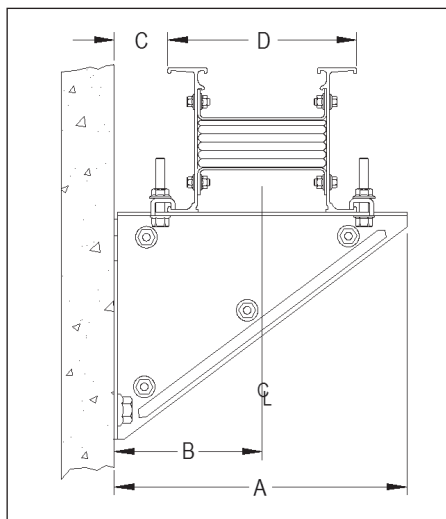
*Selection*

Wall Mounted Hanger, Dimensions and Catalog Numbers					
Ampere Rating		Dimensions Inches (mm)			Catalogue Number
		"A"	"B"	"C"	
<b>AL</b>	<b>L-Rated</b>				
225	—	12.3 (311)	6.1 (156)	4.2 (107)	<b>SXWH1</b>
400	—	12.3 (311)	6.1 (156)	4.2 (107)	<b>SXWH1</b>
600	—	12.3 (311)	6.1 (156)	4.2 (107)	<b>SXWH1</b>
800	400	12.3 (311)	6.1 (156)	3.8 (97)	<b>SXWH1</b>
1000	600	12.3 (311)	6.1 (156)	3.8 (97)	<b>SXWH1</b>
1200	800	12.3 (311)	6.1 (156)	2.8 (72)	<b>SXWH1</b>
1350	1000	16.3 (413)	8.1 (206)	4.4 (111)	<b>SXWH2</b>
1600	1200	16.3 (413)	8.1 (206)	3.9 (98)	<b>SXWH2</b>
2000	1350,1600	16.3 (413)	8.1 (206)	2.8 (70)	<b>SXWH2</b>
2500	2000	20.8 (527)	10.4 (264)	3.6 (92)	<b>SXWH3</b>
3000	2500	20.8 (527)	10.4 (264)	2.5 (64)	<b>SXWH3</b>
3200	2000	20.8 (527)	10.4 (264)	1.8 (46)	<b>SXWH3</b>
4000	3000,3200	25.3 (641)	12.6 (321)	2.5 (64)	<b>SXWH4</b>
<b>CU</b>	<b>M-Rated</b>				
225	—	12.3 (311)	6.1 (156)	4.2 (107)	<b>SXWH1</b>
400	—	12.3 (311)	6.1 (156)	4.2 (107)	<b>SXWH1</b>
600	—	12.3 (311)	6.1 (156)	4.2 (107)	<b>SXWH1</b>
800	400	12.3 (311)	6.1 (156)	3.8 (97)	<b>SXWH1</b>
1000	—	12.3 (311)	6.1 (156)	3.8 (97)	<b>SXWH1</b>
1200	600	12.3 (311)	6.1 (156)	2.8 (72)	<b>SXWH1</b>
1350	800	12.3 (311)	6.1 (156)	2.8 (72)	<b>SXWH1</b>
1600	1000	12.3 (311)	6.1 (156)	2.8 (72)	<b>SXWH1</b>
2000	1200,1350	16.3 (413)	8.1 (206)	4.4 (111)	<b>SXWH2</b>
—	1600	16.3 (413)	8.1 (206)	3.9 (98)	<b>SXWH2</b>
2500	2000	16.3 (413)	8.1 (206)	2.8 (70)	<b>SXWH2</b>
3000	—	20.8 (527)	10.4 (264)	3.6 (92)	<b>SXWH3</b>
3200	—	20.8 (527)	10.4 (264)	2.5 (64)	<b>SXWH3</b>
4000	2500,3000,3200	20.8 (527)	10.4 (264)	1.8 (46)	<b>SXWH3</b>
5000	4000	25.3 (641)	12.6 (321)	2.5 (64)	<b>SXWH4</b>

### Wall Mounted Hanger

Wall Mounted Hangers are used for horizontal applications close to a wall. The busway can be mounted either edgewise or flatwise to the wall.

Wall Mounted Hanger ensures the minimum clearance between the wall and the busway run.



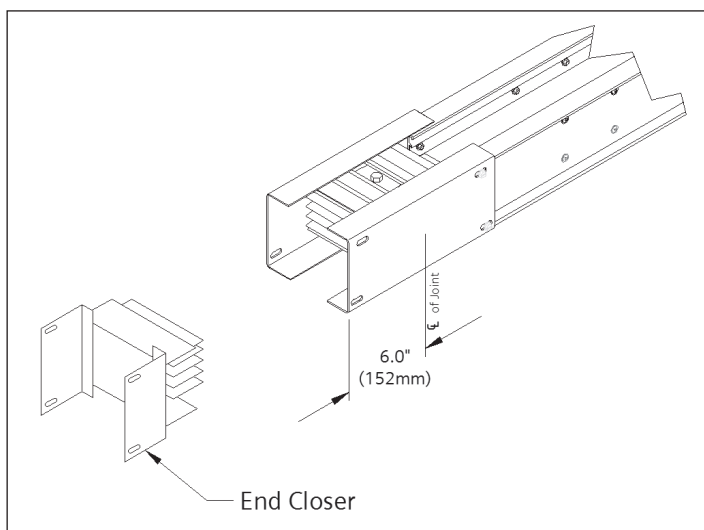
### End Closers

End closers safely terminate a busway run and protect the bus bar ends. End closers may be removed easily in order to extend a busway run. End closers are shipped with Glastic insulation pieces, however, joint stacks and inspection covers are not included.

#### End Closers

(Joint stack and covers not included)

Suffix ECLS





# Sentron® Busway Systems – Reference Information

## Roof, Wall, Ceiling and Floor Flanges

*Selection*

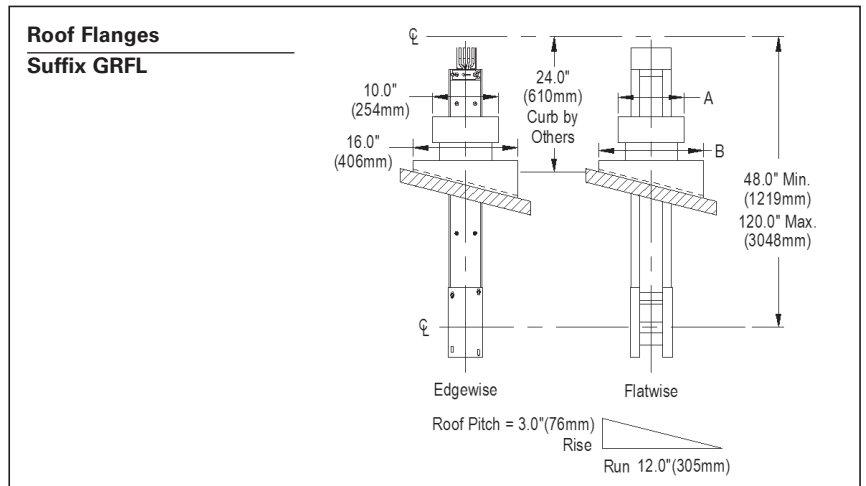
Roof, wall, ceiling and floor flanges are available for Sentron Busway. When the busway run passes through a roof, wall or ceiling, a flange should be used. Flanges do not offer support to the busway. Flanges provide a means of covering the hole

created in the existing structure. Additional sealant may be required to meet fire codes and all other local requirements. No caulking or gasketing is provided with Sentron flanges.

Roof Flanges, Dimensions		
Ampere Rating		Dimensions Inches (mm)
		"A" "B"
<b>AL</b>	<b>L-Rated</b>	
225	—	12 (305) 18 (457)
400	—	12 (305) 18 (457)
600	—	12 (305) 18 (457)
800	400	12 (305) 18 (457)
1000	600	12 (305) 18 (457)
1200	800	12 (305) 18 (457)
1350	1000	16 (406) 22 (559)
1600	1200	16 (406) 22 (559)
2000	1350,1600	16 (406) 22 (559)
2500	2000	20.5 (521) 22 (559)
3000	2500	20.5 (521) 26.5 (673)
3200	2000	20.5 (521) 26.5 (673)
4000	3000,3200	25 (635) 31 (787)
<b>CU</b>	<b>M-Rated</b>	
225	—	12 (305) 18 (457)
400	—	12 (305) 18 (457)
600	—	12 (305) 18 (457)
800	400	12 (305) 18 (457)
1000	—	12 (305) 18 (457)
1200	600	12 (305) 18 (457)
1350	800	12 (305) 18 (457)
1600	1000	12 (305) 18 (457)
2000	1200,1350	16 (406) 22 (559)
—	1600	16 (406) 22 (559)
2500	2000	16 (406) 22 (559)
3000	—	20.5 (521) 26.5 (673)
3200	—	20.5 (521) 26.5 (673)
4000	2500,3000,3200	20.5 (521) 26.5 (673)
5000	4000	25 (635) 31 (787)

### Roof Flanges

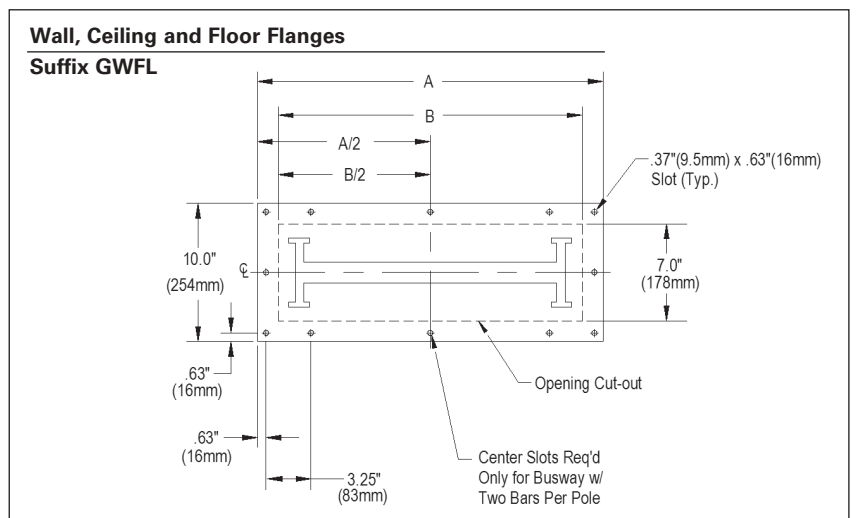
Roof flanges are available for Sentron Busway. When the busway run passes through a roof, a flange should be used. Flanges do not offer support to the busway. Flanges provide a means of covering the hole created in the existing structure. Additional sealant may be required to meet fire codes and all other local requirements. No caulking or gasketing is provided with Sentron flanges. Roof flanges provide a watertight seal for use with NEMA 3R and IP66 rated busway. Roof pitch must be indicated on drawings when ordering roof flanges.



Wall, Ceiling and Floor Flanges, Dimensions		
Ampere Rating		Dimensions Inches (mm)
		"A" "B"
<b>AL</b>	<b>L-Rated</b>	
225	—	11 (279) 7 (178)
400	—	11 (279) 7 (178)
600	—	11 (279) 7 (178)
800	400	11 (279) 7 (178)
1000	600	12 (305) 8 (203)
1200	800	13 (330) 9 (229)
1350	1000	14 (356) 10 (254)
1600	1200	15 (381) 11 (279)
2000	1350,1600	17 (432) 13 (330)
2500	2000	20 (508) 16 (406)
3000	2500	22 (559) 18 (457)
3200	2000	24 (610) 20 (508)
4000	3000,3200	26 (660) 22 (559)
<b>CU</b>	<b>M-Rated</b>	
225	—	10 (254) 6 (152)
400	—	10 (254) 6 (152)
600	—	10 (254) 6 (152)
800	400	10 (254) 6 (152)
1000	—	11 (279) 7 (178)
1200	600	12 (305) 8 (203)
1350	800	12 (305) 8 (203)
1600	1000	13 (330) 9 (229)
2000	1200,1350	15 (381) 11 (279)
—	1600	15 (381) 11 (279)
2500	2000	17 (432) 13 (330)
3000	—	18 (457) 14 (356)
3200	—	19 (483) 15 (381)
4000	2500,3000,3200	21 (533) 17 (432)
5000	4000	26 (660) 22 (559)

### Wall, Ceiling and Floor Flanges

Wall/Floor flanges are available for Sentron Busway. When the busway run passes through a wall, ceiling or floor, a flange should be used. Flanges do not offer support to the busway. Flanges provide a means of covering the hole created in the existing structure. Additional sealant may be required to meet fire codes and all other local requirements. No caulking or gasketing is provided with Sentron flanges.



# Sentron® Busway Systems

## Busway Accessories

*Selection*

The following table identifies the feeder footage that is included in busway fittings.

Ampere Rating	Elbow Stack	Elbow	Tee	Cross	Tap Box End	Tap Box Center	Flanged End Swbd. Conn.	XFMR Throat	Expansion Section	Reducer Fusible	Reducer Unfused
225–1350 Al 225–1600 Cu	1'	2'	3'	4'	1'	4'	1'	4'	4'	4'	4'
1600–3200 Al 2000–4000 Cu	2'	3'	5'	6'	1'	4'	1'	4'	4'	4'	4'
4000 Al 5000 Cu	3'	4'	6'	8'	1'	4'	1'	4'	4'	4'	4'

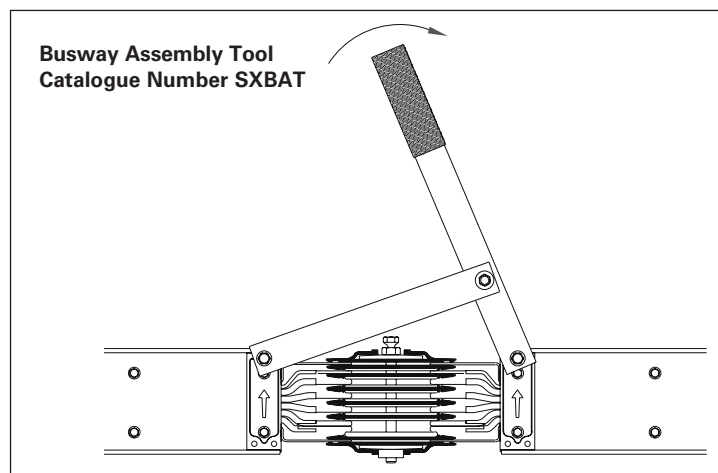
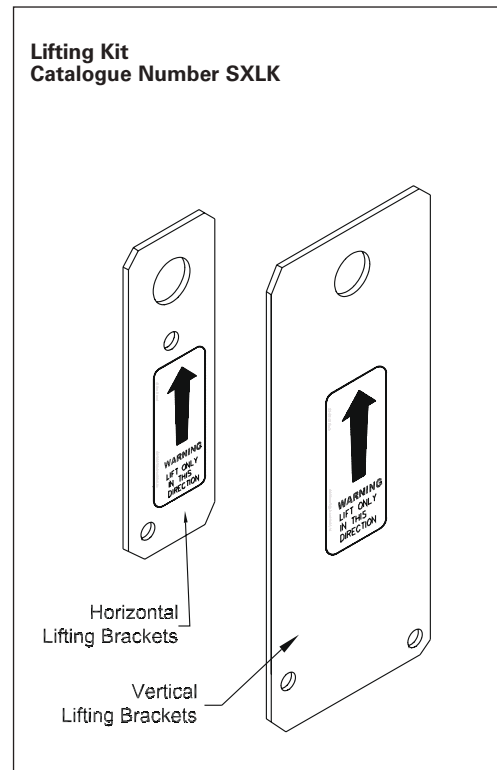
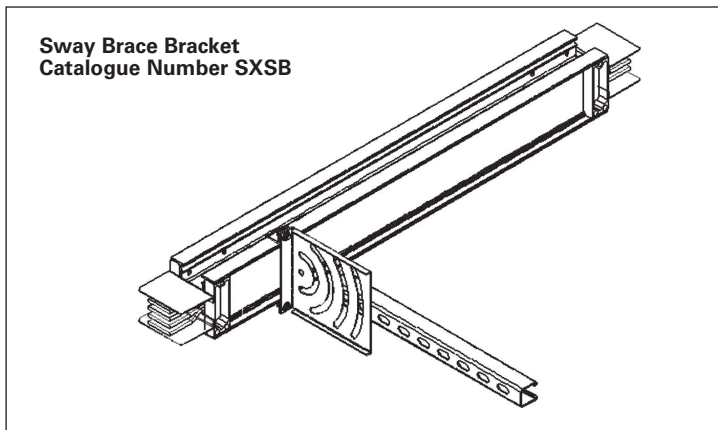
BUSWAY SYSTEMS 13

**"M" Rating / Standard Rating Conversion Table**

1000/A Square Inch "M" Rating	Standard Rating Equivalent Sentron
225	600
400	800
600	1200
800	1350
1000	1600
1200	2000
1350	2000
1600	—
2000	2500
2500	4000
3000	4000
3200	4000
4000	5000

**"L" Rating / Standard Rating Conversion Table**

750/A Square Inch "L" Rating	Standard Rating Equivalent Sentron
225	600
400	800
600	1000
800	1200
1000	1350
1200	1600
1350	2000
1600	2000
2000	2500
2500	3000
3000	4000
3200	4000



# Sentron® Busway Systems – Reference Information

## Flanged Ends

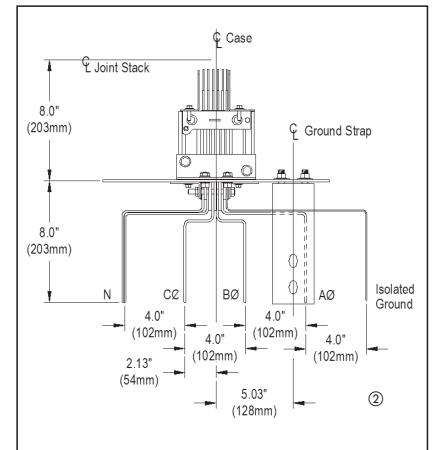
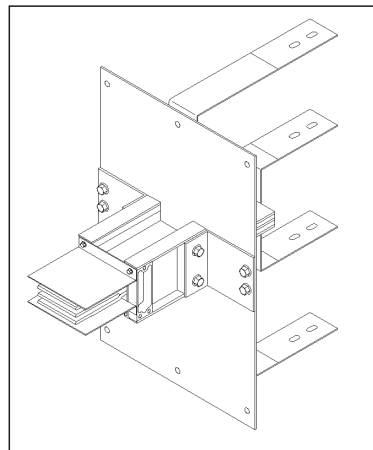
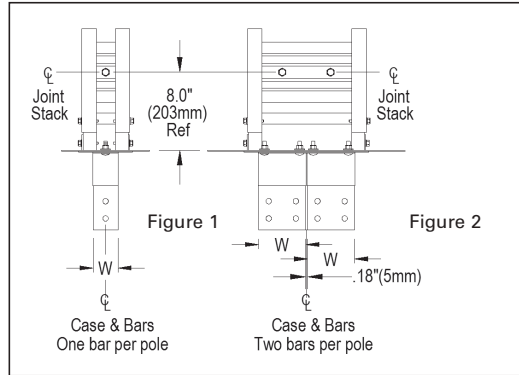
## Selection

Flanged ends provide a direct connection to low-voltage switchgear, switchboards, motor control centers, large power panels, and other electrical distribution equipment.

Flanged ends are shipped with one joint stack assembly. The switchgear manufacturer supplies lugs and mounting hardware. See illustration for flanged end drilling patterns.

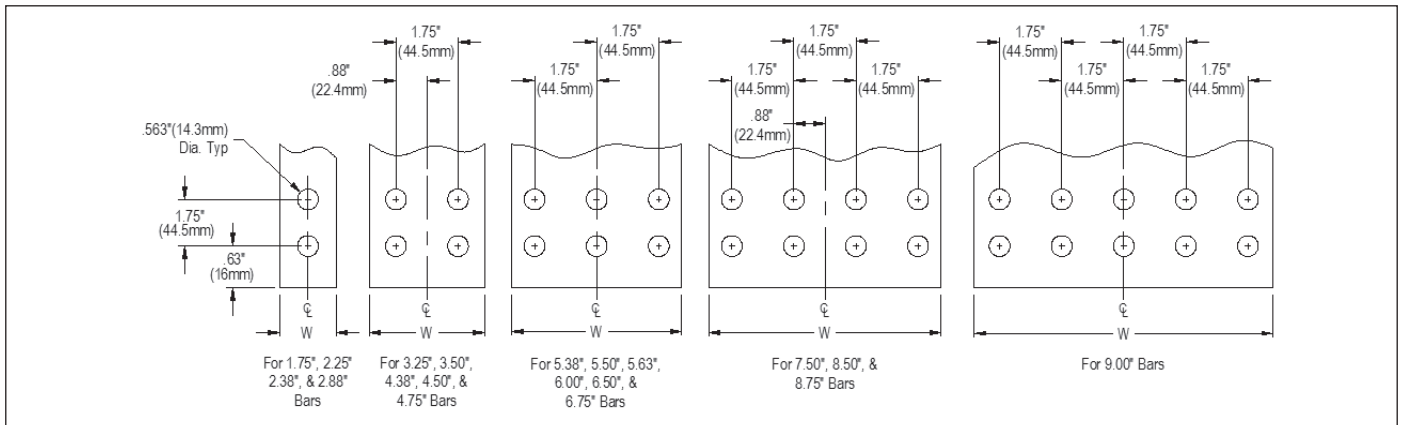
Flanged End, Dimensions		Dimensions Inches (mm)	
Ampere Rating		"W"	Fig. No.
<b>AL</b>	<b>L-Rated</b>		
225	—	1.75 (44.4)	1
400	—	1.75 (44.4)	1
600	—	1.75 (44.4)	1
800	400	2.38 (60.5)	1
1000	600	3.25 (82.6)	1
1200	800	4.38 (111.3)	1
1350	1000	5.38 (136.7)	1
1600	1200	6.50 (165.1)	1
2000	1350,1600	8.75 (222.3)	1
2500	2000	5.63 (143.0)	2
3000	2500	6.75 (171.5)	2
3200	2000	6.75 (171.5)	2
4000	3000,3200	9.00 (228.6)	2
<b>CU</b>	<b>M-Rated</b>		
225	—	1.75 (44.4)	1
400	—	1.75 (44.4)	1
600	—	1.75 (44.4)	1
800	400	1.75 (44.4)	1
1000	—	2.25 (57.2)	1
1200	600	2.88 (73.2)	1
1350	800	3.50 (88.9)	1
1600	1000	4.50 (114.3)	1
2000	1200,1350	6.00 (152.4)	1
—	1600	6.50 (165.1)	1
2500	2000	8.50 (215.9)	1
3000	—	4.75 (120.7)	2
3200	—	5.50 (139.7)	2
4000	2500,3000,3200	6.50 (165.1)	2
5000	4000	8.50 (215.9)	2

### Flanged End Suffix FRND



### Flanged End Bus Bar Drilling Pattern (NEMA)Ⓞ

(Same pattern for 2 bus bars per pole, see figure 2 above.)



Ⓞ Other drilling patterns are available and must be specified at order entry.  
 Ⓜ See Figures 4, 5 and 6 on page 13-32.

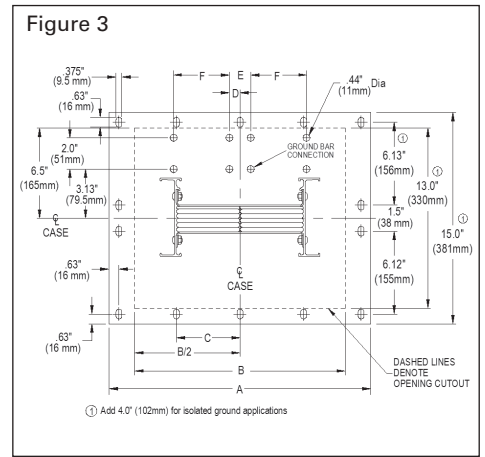
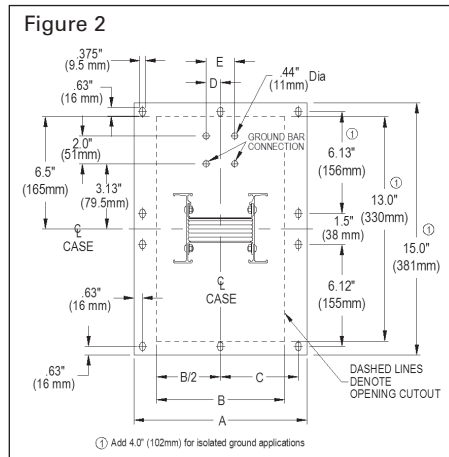
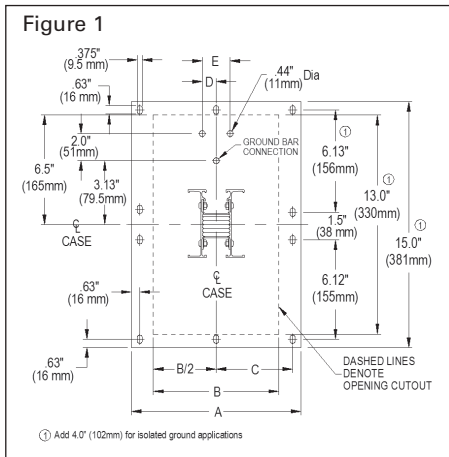
# Sentron® Busway Systems – Reference Information

## Flanged Ends

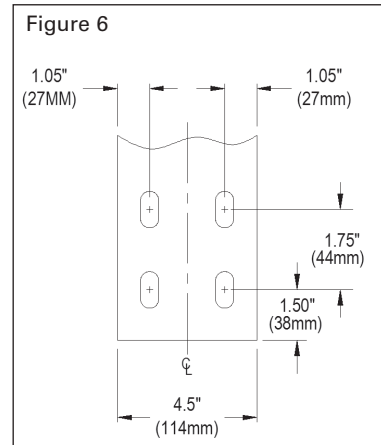
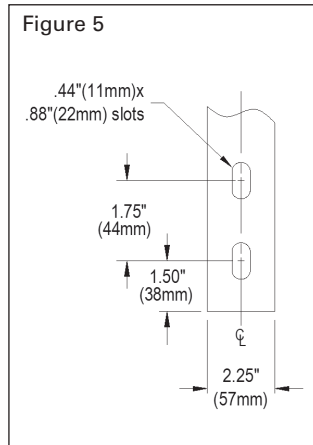
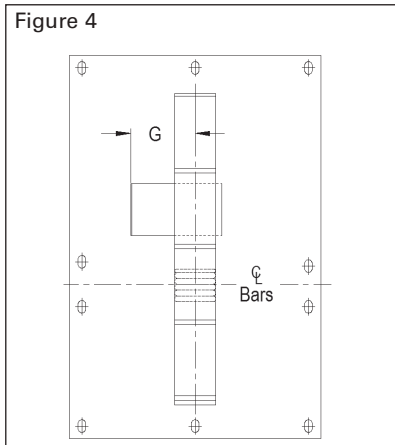
Selection

BUSWAY SYSTEMS 13

Flanged End, Dimensions (standard/min.)											
Ampere Rating		Dimensions Inches (mm)									
		Ref. Bar Width	Fig. No.	"A"	"B"	"C"	"D"	"E"	"F"	"G"	Fig. No.
<b>AL L-Rated</b>											
225	—	2.38 (60.5)	1	10.0 (254)	8.00 (203)	4.38 (111)	1.94 (49)	3.88 (99)	—	6.00 (152)	4, 5
400	—	2.38 (60.5)	1	10.0 (254)	8.00 (203)	4.38 (111)	1.94 (49)	3.88 (99)	—	6.00 (152)	4, 5
600	—	2.38 (60.5)	1	10.0 (254)	8.00 (203)	4.38 (111)	1.94 (49)	3.88 (99)	—	6.00 (152)	4, 5
800	400	2.38 (60.5)	1	10.0 (254)	8.00 (203)	4.38 (111)	1.94 (49)	3.88 (99)	—	6.00 (152)	4, 5
1000	600	3.25 (82.6)	2	10.0 (254)	8.00 (203)	4.38 (111)	1.94 (49)	2.06 (52)	—	6.00 (152)	4, 6
1200	800	4.38 (111.3)	2	15.50 (395)	13.50 (343)	7.13 (181)	1.60 (41)	3.19 (81)	—	8.50 (216)	4, 6
1350	1000	5.38 (136.7)	2	15.50 (395)	13.50 (343)	7.13 (181)	2.10 (53)	4.19 (106)	—	8.50 (216)	4, 6
1600	1200	6.50 (165.1)	2	15.50 (395)	13.50 (343)	7.13 (181)	2.66 (67)	5.31 (135)	—	8.50 (216)	4, 6
2000	1350,1600	8.75 (222.3)	2	15.50 (395)	13.50 (343)	7.13 (181)	3.78 (96)	7.56 (192)	—	8.50 (216)	4, 6
2500	2000	5.63 (143.0)	3	20.0 (508)	18.00 (457)	4.50 (114)	0.68 (17)	1.37 (36)	4.44 (113)	13.25 (337)	4, 6
3000	2500	6.75 (171.5)	3	20.0 (508)	18.00 (457)	4.50 (114)	0.68 (17)	1.37 (36)	5.56 (141)	13.25 (337)	4, 6
3200	2000	7.50 (190.5)	3	24.0 (610)	22.0 (569)	5.50 (140)	0.68 (17)	1.37 (36)	6.32 (161)	13.25 (337)	4, 6
4000	3000,3200	9.00 (228.6)	3	24.0 (610)	22.0 (569)	5.50 (140)	0.68 (17)	1.37 (36)	7.81 (198)	14.25 (362)	4, 6
<b>CU M-Rated</b>											
225	—	1.75 (44.4)	1	10.0 (254)	8.00 (203)	4.38 (111)	1.63 (41)	3.25 (83)	—	6.00 (152)	4, 5
400	—	1.75 (44.4)	1	10.0 (254)	8.00 (203)	4.38 (111)	1.63 (41)	3.25 (83)	—	6.00 (152)	4, 5
600	—	1.75 (44.4)	1	10.0 (254)	8.00 (203)	4.38 (111)	1.63 (41)	3.25 (83)	—	6.00 (152)	4, 5
800	400	1.75 (44.4)	1	10.0 (254)	8.00 (203)	4.38 (111)	1.63 (41)	3.25 (83)	—	6.00 (152)	4, 5
1000	—	2.25 (57.2)	1	10.0 (254)	8.00 (203)	4.38 (111)	1.88 (48)	3.75 (95)	—	6.00 (152)	4, 5
1200	600	2.88 (73.2)	2	10.0 (254)	8.00 (203)	4.38 (111)	0.85 (21)	1.69 (43)	—	6.00 (152)	4, 6
1350	800	3.50 (88.9)	2	10.0 (254)	8.00 (203)	4.38 (111)	1.16 (29)	2.31 (59)	—	6.00 (152)	4, 6
1600	1000	4.50 (114.3)	2	15.50 (395)	13.50 (343)	7.13 (181)	1.66 (42)	3.31 (84)	—	8.50 (216)	4, 6
2000	1200,1350	6.00 (152.4)	2	15.50 (395)	13.50 (343)	7.13 (181)	2.41 (62)	4.81 (122)	—	8.50 (216)	4, 6
—	1600	6.50 (165.1)	2	15.50 (395)	13.50 (343)	7.13 (181)	2.66 (67)	5.31 (135)	—	8.50 (216)	4, 6
2500	2000	8.50 (215.9)	1	15.50 (395)	13.50 (343)	7.13 (181)	3.66 (93)	7.31 (186)	—	8.50 (216)	4, 6
3000	—	4.75 (120.7)	3	20.0 (508)	18.00 (457)	4.50 (114)	0.68 (17)	1.37 (36)	3.56 (90)	13.25 (337)	4, 6
3200	—	5.50 (139.7)	3	20.0 (508)	18.00 (457)	4.50 (114)	0.68 (17)	1.37 (36)	4.32 (110)	13.25 (337)	4, 6
4000	2500,3000,3200	6.50 (165.1)	3	20.0 (508)	18.00 (457)	4.50 (114)	0.68 (17)	1.37 (36)	5.31 (135)	13.25 (337)	4, 6
5000	4000	8.50 (215.9)	3	24.0 (610)	22.00 (569)	5.50 (140)	0.68 (17)	1.37 (36)	7.31 (186)	14.25 (362)	4, 6



### Integral and Internal Ground Strap Drilling Detail



# Sentron® Busway Systems – Reference Information

## Combination Flange/Elbows

*Selection*

### Combination Flange/Elbow

A combination Flange/Elbow may be used in space constrained applications. Flatwise and edgewise combination flange/elbows require a minimum clearance of 5 in. (127mm) from the top of the connecting equipment to the centerline of the busway.

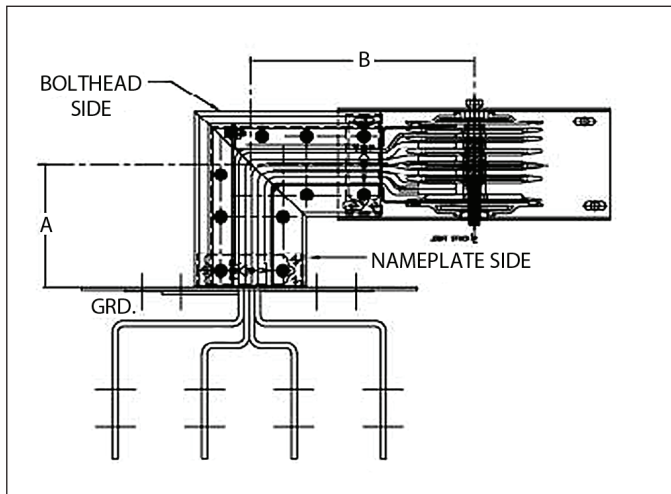
#### Flat Elbow with Flanged End, Dimensions

Ampere Rating	Dimensions inches (mm)							
	Minimum		Maximum		Minimum		Maximum	
	"A"	"B"	"A"	"B"	"A"	"B"	"A"	"B"
800	4.75 (121)	12 (305)	22 (559)	48 (1219)	4.50 (121)	12 (305)	22 (559)	48 (1219)
1000	5.20 (132)	12 (305)	22 (559)	48 (1219)	4.70 (121)	12 (305)	22 (559)	48 (1219)
1200	5.75 (146)	12 (305)	22 (559)	48 (1219)	5.00 (121)	12 (305)	22 (559)	48 (1219)
1350	6.25 (159)	12 (305)	22 (559)	48 (1219)	5.30 (121)	12 (305)	22 (559)	48 (1219)
1600	6.80 (173)	18 (457)	22 (559)	48 (1219)	5.80 (121)	12 (305)	22 (559)	48 (1219)
2000	8.00 (203)	18 (457)	28 (711)	48 (1219)	6.60 (121)	12 (305)	22 (559)	48 (1219)
2500	9.30 (236)	18 (457)	28 (711)	48 (1219)	7.80 (121)	18 (457)	28 (711)	48 (1219)
3000	10.40 (264)	18 (457)	28 (711)	48 (1219)	8.40 (121)	18 (457)	28 (711)	48 (1219)
3200	11.15 (283)	18 (457)	28 (711)	48 (1219)	9.20 (234)	18 (457)	28 (711)	48 (1219)
4000	12.70 (323)	24 (607)	34 (864)	48 (1219)	10.20 (121)	18 (457)	28 (711)	48 (1219)
5000					12.20 (121)	24 (607)	34 (864)	48 (1219)

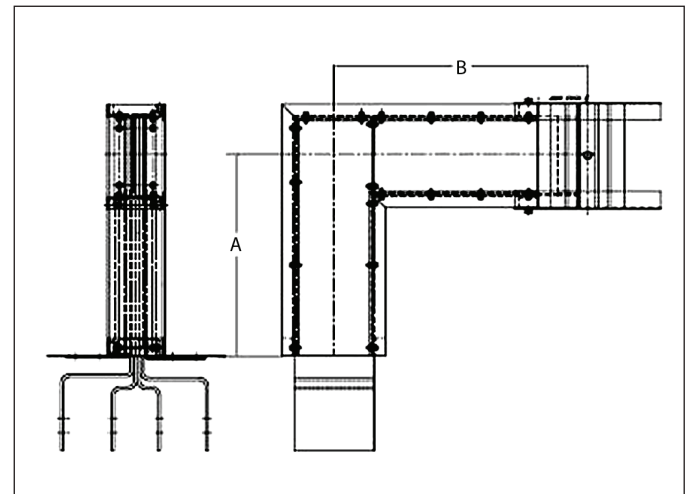
#### Edge Elbow with Flanged End, Dimensions

Minimum		Maximum	
"A"	"B"	"A"	"B"
5.00 (127)	10 (254)	18 (457)	48 (1219)

#### Edge Elbow with Flanged End



#### Flat Elbow with Flanged End



# Sentron® Busway Systems – Reference Information

## Cubicle Options

*Selection*

In-Line Disconnect Cubicle, Dimensions ②	
Description of Unit	Type of Disconnect
Fusible Switch	800-1200A Vacu-Break
Molded Case Circuit Breaker	JD6, LD6, MD6, ND6 PD6, RD6
Digital Sentron Series MCCB's	SJD6, SLD6, SMD6, SND6 SPD6 1600A Frame
Power Circuit Breaker	200-5000A WL ①
Bolted Pressure Switch	800A 1200-2500A 3000A 4000A
ACCESS-compatible	

① Consult your local Siemens sales office for details on WL breakers.

② Consult factory for dimensions.

### Fusible Cubicles ①③

3-Pole, 600V/4-Pole, 480/277V

Ampere Ratings:
800
1200

### Bolted Pressure Switches ③

3-Pole 480V, 4-Pole 480V,  
3-Pole 600V or 4-Pole 600V

Ampere Ratings:
800
1200
1600
2000
2500
3000
4000

### Solid State Molded Case Circuit Breaker Cubicles ③

3-Pole, 600V or 4-Pole 480/277V

Breaker Frame	Ampere Rating
SJD6-A, SHJD6-A, SCJD6-A	200-400
SLD6-A, SHLD6-A, SCLD6-A	300-600
SMD6, SHMD6, SCMD6-A	600-800
SND6, SHND6, SCND6-A	800-1200
SPD6, SHPD6	1400-1600

① Fuses not included.

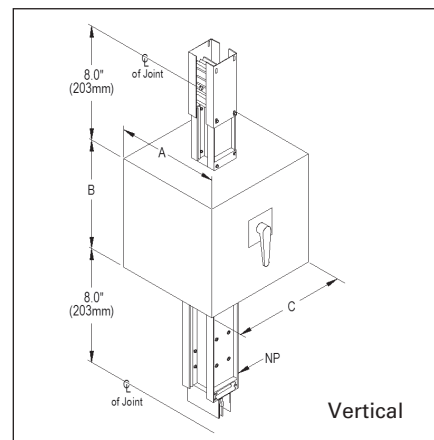
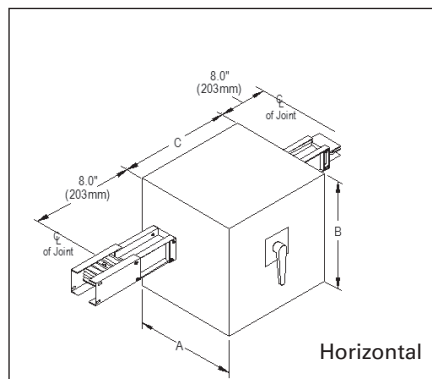
② For electrically operated, specify control voltage.

③ IP40 and IP55

### In-Line Disconnect Cubicles

Cubicles provide a means of mounting switches or circuit breakers where power feeds to or pulls from the busway system. When bolted connections are preferred, cubicles may be used in place of plug-in units. Cubicles can also be used at ampere ratings that exceed standard plug-in unit ratings. Modifications to cubicles can be made in order to accommodate key inter-locks, ground fault detector systems and power monitoring systems.

#### In-Line Disconnect Cubicle



### Molded Case Circuit Breaker Cubicles

3-Pole, 600V or 4-Pole 480/277V

Breaker Type	Ampere Rating
FD6	70-250A
JD6	200-400A
LD6	450-600A
MD6	500-800A
ND6	900-1200A
PD6	1200-1600A
RD6	1600-2000A

### Current-Limiting

3-Phase, 600V AC or  
120/280V AC, 277/480V AC

Breaker Type	Ampere Rating
CFD6	70-250A
CJD6	200-400A
CLD6	450-600A
CMD6	600-800A
CND6	900-1200A
CPD6	1200-1600A

### Power Circuit Breaker ②③

3-Pole or 3-Phase, 4-Wire

Breaker Frame Type	Max. Amp. Rating	Interrupting current frame Ics (kAIR RMS) 50/60 Hz								
		240 Volt			480 Volt			600 Volt		
<b>Type WL</b>										
Frame Size 1 (S, H, L Rating Class)	2000A	65k	85k	100k	65k	85k	100k	65k	85k	100k
Frame Size 2 (S, L, C Rating Class)	3000A	65k	100k	150k	65k	100k	150k	65k	100k	150k
Frame Size 3 (L and C Rating Class)	5000A	—	100k	150k	—	100k	150k	—	85k	100k

### In-Line Disconnect Cubicle, Approximate Dimensions

Description of Unit	Type of Disconnect	Dimensions in Inches		
		A	B	C
Fusible Switch	800-1200A Vacu-Break	36 (914)	36 (914)	32 (813)
Molded Case Circuit Breaker	JD6, LD6, MD6, ND6	36 (914)	28 (711)	28 (711)
	PD6, RD6	36 (914)	36 (914)	32 (813)
Digital Sentron Series MCCB's	SJD6, SLD6, SMD6, SND6	36 (914)	28 (711)	28 (711)
	SPD6, 1600A Frame	36 (914)	36 (914)	32 (813)
Power Circuit Breaker	WL Frame Size 1	48 (1219)	36 (914)	32 (813)
	WL Frame Size 2	48 (1219)	36 (914)	32 (813)
	WL Frame Size 3	48 (1219)	36 (914)	32 (813)
Bolted Pressure Switch	800A	33 (838)	36 (914)	32 (813)
	1200-2500A	37 (940)	40 (1016)	32 (813)
	3000A	37 (940)	40 (1016)	48 (1219)
	4000A	41 (1041)	40 (1016)	48 (1219)

# Sentron® Busway Systems – Reference Information

## Panelboards and Meter Center Modules

Selection

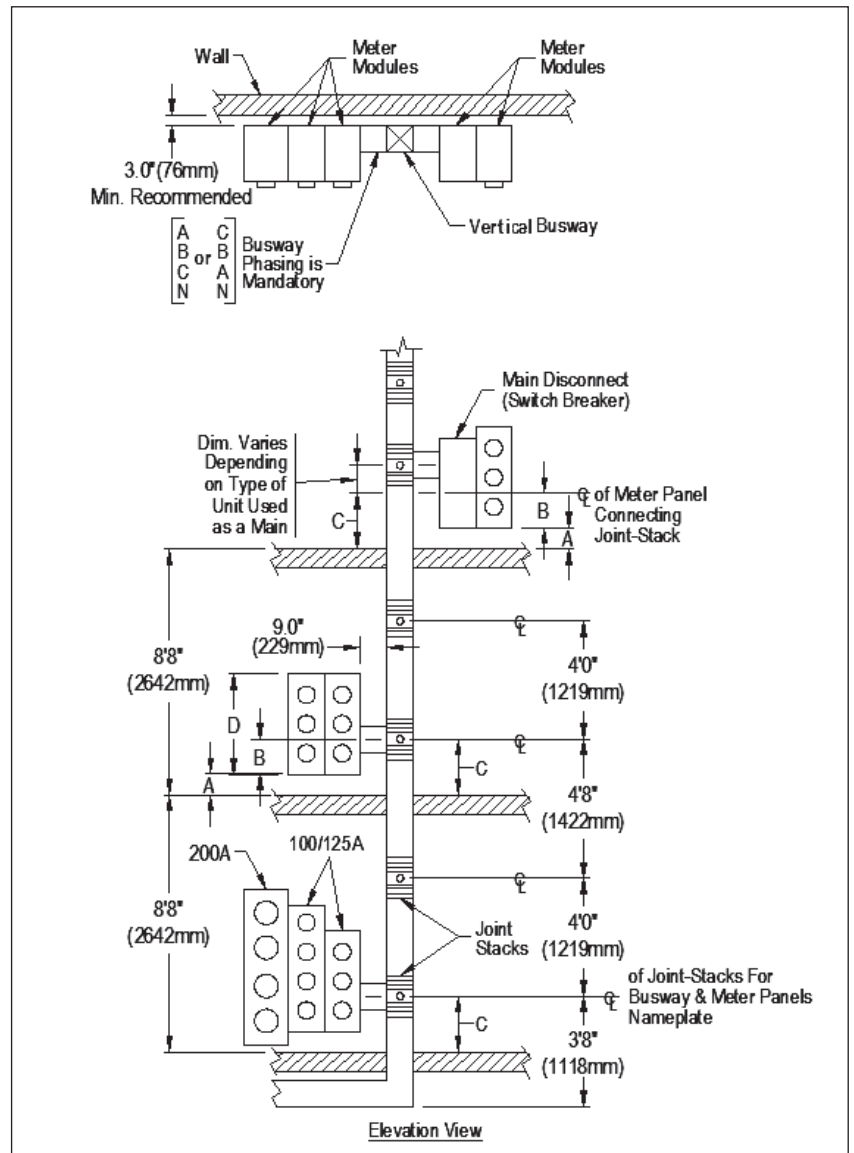
Meter center modules provide a quick and convenient method of connecting to metering devices for both commercial and industrial applications.

Meter center modules connect at the side of a busway run to special joint stacks; these special joints can be added to existing busway to accommodate meter center module connections. When using multiple metering stacks, main disconnects are available if the system reaches the 6 circuit rule (see metering bulletin for further information).

### Dimensional Data Required

#### Dimensions Inches (mm)

- "A" Distance between floor and bottom of meter center as required by the customer.
- "B" Dimension from bottom of meter center to centerline of meter center joint connection stack:  
100-125A Panel, B = 16.5 (419)  
200A Panel, B = 22.0 (559)
- "C" Equals "A" plus "B", Minimum 16.0 (406)
- "D" Individual meter center height.  
Consult Modular Metering application information.





# Sentron® Busway Systems – Reference Information

Selection

## Meter Center Cubicles

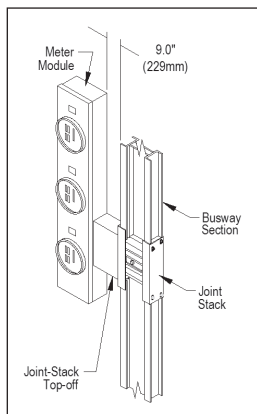
Meter center cubicles provide a quick and convenient method of connecting to metering devices for both commercial and industrial applications and have the main disconnect circuit breaker factory installed.

Having the main disconnect built into the device reduces the required space on the right and left side of the busway. Meter center modules connect at the side of the cubicle frame box using an QC4 stack. Meter center cubicles are available for 600 – 1200 Amp (L, M and N Frames). They are available with flexible meter center connections, left side, right side or both. (When ordering a meter center cubicle a QC4 stack must be ordered separately.)

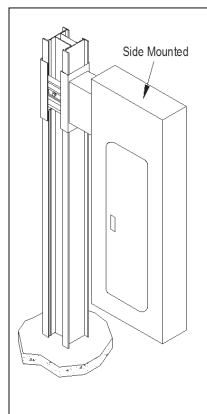
BUSWAY SYSTEMS 13

Molded Case Circuit Breaker Cubicles with Meter Tap Stack Provisions Dimensions, Inches (mm)											
Ampere Rating		Busway Width W	L Frame Breaker (250-600A)			M Frame Breaker (250-800A)			N Frame Breaker (800-1200A)		
			A	B	C	A	B	C	A	B	C
<b>AL</b>	<b>L-Rated</b>										
225	—	3.9 (99)	32 (813)	24 (620)	16 (406)	37 (940)	26 (660)	16 (406)	37 (940)	26 (660)	16 (406)
400	—	3.9 (99)	32 (813)	24 (620)	16 (406)	37 (940)	26 (660)	16 (406)	37 (940)	26 (660)	16 (406)
600	—	3.9 (99)	32 (813)	24 (620)	16 (406)	37 (940)	26 (660)	16 (406)	37 (940)	26 (660)	16 (406)
800	400	4.6 (117)	32 (813)	24 (610)	16 (406)	37 (940)	26 (660)	16 (406)	37 (940)	26 (660)	16 (406)
1000	600	5.4 (137)	32 (813)	24 (610)	16 (406)	37 (940)	26 (660)	16 (406)	37 (940)	26 (660)	16 (406)
1200	800	6.6 (168)	32 (813)	24 (610)	16 (406)	37 (940)	26 (660)	16 (406)	37 (940)	26 (660)	16 (406)
1350	1000	7.6 (193)	32 (813)	24 (610)	16 (406)	37 (940)	26 (660)	16 (406)	37 (940)	26 (660)	16 (406)
1600	1200	8.7 (221)	32 (813)	24 (610)	20 (490)	37 (940)	26 (660)	20 (490)	37 (940)	26 (660)	20 (490)
2000	1350,1600	10.9 (277)	32 (813)	24 (610)	20 (490)	37 (940)	26 (660)	20 (490)	37 (940)	26 (660)	20 (490)
2500	2000	13.7 (348)	32 (813)	24 (610)	23.5 (597)	37 (940)	26 (660)	23.5 (597)	37 (940)	26 (660)	23.5 (597)
3000	2500	15.8 (401)	32 (813)	24 (610)	23.5 (597)	37 (940)	26 (660)	23.5 (597)	37 (940)	26 (660)	23.5 (597)
3200	2000	17.3 (439)	32 (813)	24 (610)	23.5 (597)	37 (940)	26 (660)	28 (711)	37 (940)	26 (660)	28 (711)
4000	3000,3200	20.3 (516)	32 (813)	24 (610)	28 (711)	37 (940)	26 (660)	28 (711)	37 (940)	26 (660)	28 (711)
4000	3000,3200	20.3 (516)	32 (813)	24 (610)	28 (711)	37 (940)	26 (660)	28 (711)	37 (940)	26 (660)	28 (711)
<b>CU</b>	<b>M-Rated</b>										
225	—	3.9 (99)	32 (813)	24 (620)	16 (406)	37 (940)	26 (660)	16 (406)	37 (940)	26 (660)	16 (406)
400	—	3.9 (99)	32 (813)	24 (620)	16 (406)	37 (940)	26 (660)	16 (406)	37 (940)	26 (660)	16 (406)
600	—	3.9 (99)	32 (813)	24 (620)	16 (406)	37 (940)	26 (660)	16 (406)	37 (940)	26 (660)	16 (406)
800	400	3.9 (99)	32 (813)	24 (620)	16 (406)	37 (940)	26 (660)	16 (406)	37 (940)	26 (660)	16 (406)
1000	—	4.4 (112)	32 (813)	24 (610)	16 (406)	37 (940)	26 (660)	16 (406)	37 (940)	26 (660)	16 (406)
1200	600	5.1 (130)	32 (813)	24 (610)	16 (406)	37 (940)	26 (660)	16 (406)	37 (940)	26 (660)	16 (406)
1350	800	5.7 (145)	32 (813)	24 (610)	16 (406)	37 (940)	26 (660)	16 (406)	37 (940)	26 (660)	16 (406)
1600	1000	6.7 (170)	32 (813)	24 (610)	16 (406)	37 (940)	26 (660)	16 (406)	37 (940)	26 (660)	16 (406)
2000	1200,1350	8.2 (208)	32 (813)	24 (610)	20 (490)	37 (940)	26 (660)	20 (490)	37 (940)	26 (660)	20 (490)
—	1600	8.7 (221)	32 (813)	24 (610)	20 (490)	37 (940)	26 (660)	20 (490)	37 (940)	26 (660)	20 (490)
2500	2000	10.7 (272)	32 (813)	24 (610)	20 (490)	37 (940)	26 (660)	20 (490)	37 (940)	26 (660)	20 (490)
3000	—	11.8 (300)	32 (813)	24 (610)	20 (490)	37 (940)	26 (660)	20 (490)	37 (940)	26 (660)	20 (490)
3200	—	13.3 (335)	32 (813)	24 (610)	20 (490)	37 (940)	26 (660)	23.5 (597)	37 (940)	26 (660)	23.5 (597)
4000	2500,3000,3200	15.3 (389)	32 (813)	24 (610)	23.5 (597)	37 (940)	26 (660)	23.5 (597)	37 (940)	26 (660)	23.5 (597)
5000	4000	19.3 (491)	32 (813)	24 (610)	28 (711)	37 (940)	26 (660)	28 (711)	37 (940)	26 (660)	28 (711)

Meter Center Module

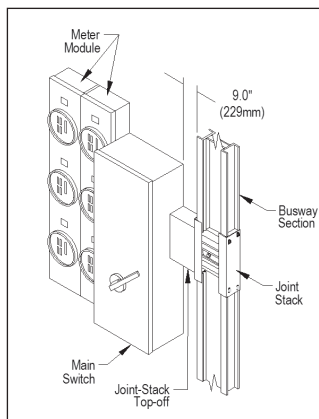


Side Mount Panelboard

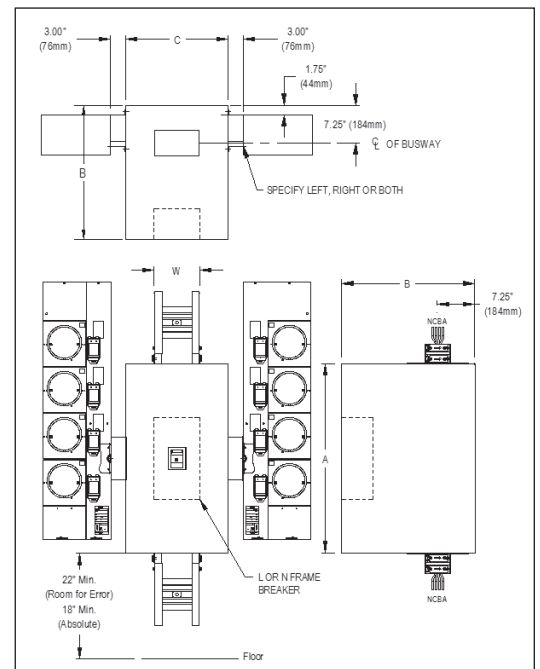


For this panelboard configuration, please contact Spartanburg plant for mounting information. Configuration only available for P2 and P3 panels in 240V or below applications.

Main Disconnect Meter Module



Meter Center Cubicle



# Sentron® Busway Systems – Reference Information

## Installation and Application Information

## Selection

### Installation

In preparation for installation of your busway systems, it is important to familiarize yourself with the following installation publications:

- General Instructions For Handling, Installation, Operation and Maintenance of Busway Rated 600 volts or less (NEMA Standards Publication BU1)
- Storage, Installation and Maintenance Instructions for Sentron Busway

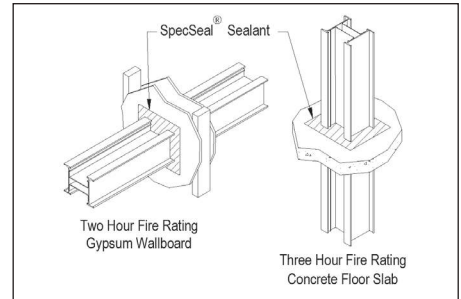
These publications should be read through thoroughly and used as reference during installation to ensure proper installation procedures.

All equipment should be inspected upon delivery. If the busway is not installed immediately, it should be stored in a clean, dry location. Factory supplied record drawings as well as installation tools should be accessible in preparation for installation.

### UL 1479 Fire Rated Installations

Sentron Busway has been tested in accordance with UL 1479 and offers a certified two hour fire rating for gypsum wallboard construction and a three hour fire rating for concrete slab or block penetrations. These ratings were achieved using standard busway installed with SpecSeal® sealant from Specified Technologies Inc.

The SpecSeal® fire stop system provides superior performance at the industry's lowest installed cost.



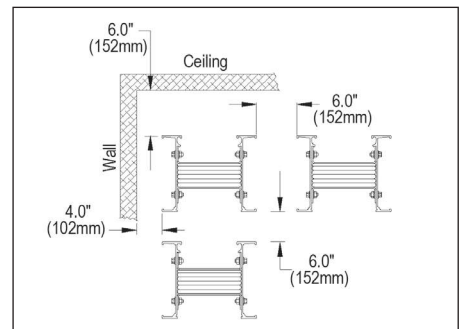
### Measuring

Critical to the success of any busway installation is the layout and the accurate measuring of the busway. First and foremost:

Select a route for your busway that will require the fewest fittings and the maximum number of 10' (3.05m) sections. It is important that the busway system be designed to meet the requirements of the National Electric Code for Busway. There are a number of techniques that may be used to ensure an accurate measurement before purchasing and installing the busway. The following tools will be required during layout and measuring:

- 100' (30.48m) tape measure
- Measuring Stick
- Chalkline
- Plumb Bob
- Marker

(A laser distance measuring device may be used to speed up the measuring process).



### Minimal Clearances

Minimum clearances for installing feeder busway are shown. Additional clearance may be required for plug-in devices larger than 100A fusible and 250A circuit breaker.

### SIEMENS

Date Submitted: \_\_\_\_\_

Purchase Order #: \_\_\_\_\_

Project Name: \_\_\_\_\_

Sales Support: \_\_\_\_\_

Sales Engineer: \_\_\_\_\_

Release  Hold For Release

Run Designation \_\_\_\_\_

Busway Catalog # \_\_\_\_\_

Service, \_\_\_\_\_ Amps

Bus material  CU  AL  "M" Rated  "L" Rated

Neutral  None  100 %  200 %

Ground  Case  Internal  Isolated

IP rating  IP 40 Indoor  
 IP 55 Splash Proof  
 NEMA 3R Outdoor

#### Busway Order Entry Checklist

Complete one checklist for each busway run.

Drawing requirements

Approval drawings  # copies

Recorder drawings  # copies

Ship Complete  Partial Shipments  YES

Ship not before: \_\_\_\_\_

Shipping Instructions \_\_\_\_\_

**TIP:** You can make additional copies of this sheet by right clicking on the tab and creating a duplicate.  
Use one sheet for each Busway run.

**\*NOTE:** For OUTDOOR BUSWAY, contact the factory before quoting outdoor busway runs over 50 ft.

**A) Engineering Information**

Field sketches or factory approval drawings attached?

Dimensions from walls, column lines, ect.

Wall, floor and roof thickness and pitch.

Floor Elevation's

Floor to floor

Floor to ceiling

Wall locations

Equipment pads      Height \_\_\_\_\_

Existing Busway to be extended cat # \_\_\_\_\_

Phasing

Nameplate Information

Match to competitor, Contact the plant.

Special SWBD connection, provide details

Phase Transpositions: Provide phasing on drawings

Riser Bus

Load side of bus plug (top or bottom)

Required distance from floor to top of panels/plugs

Meter bank (center line of tap stack)

Barriers and/or floor supports

Transformer Connections

Standard XFMR Service head

Single phase

Three single phase

Special drawing required

Dimensions between phases

LV spade detail, including drilling and thickness

Dimensions of LV spade from tank wall

Throat opening and bolt pattern, if any

Utility Vault Connection      Utility type \_\_\_\_\_

Required drawing attached?

End Cable Tap Box

Horizontal  Vertical

Standard Lugs

Special Lugs, specify below.

Intermediate Hangers      Qty. \_\_\_\_\_

Expansion Sections      Qty. \_\_\_\_\_

\*Note: Intermediate Hangers are for floor to ceiling height greater than 16ft. Consult factory if greater than 32 ft.

\*Note: Expansion Section is required for every 200ft of continuous Busway run length and for each building expansion joint. The Busway run must be positioned accordingly to accommodate the Expansion Section(s).

**B) Specifications (check or fill appropriate blanks)**

Standard busway meet specifications

Exceptions to specifications, note comments below

Short-circuit bracing 100KAIC Amps symmetrical

Voltage drop requirement \_\_\_\_\_

Temperature-rise requirement \_\_\_\_\_

Current density requirement \_\_\_\_\_

Special paint, provide paint chip. \_\_\_\_\_

Special Comments

Busway mounting position in reference to floor

# Sentron® Busway Systems – Reference Information

## General Information

*Selection*

### Recommended Measurement Steps

- Using systems requirements for amperage, voltage, and conductors, determine the physical size of the busway. This is important when setting minimum clearances from walls, columns, ceilings and other obstructions. See page 33 for minimal clearances.
- Prior to any layout, review the complete area to determine the best location for the run. Special attention needs to be given to existing equipment such as plumbing, HVAC, steel columns, beams and permanent structures.
- Measure all dimensions from fixed points such as columns, walls, floors and ceilings.
- Make a preliminary sketch showing proposed busway routing, elevations and obstructions. Be sure to show all floor and wall locations including thickness.
- Where plug-in devices are being used, be sure to allow for proper operation clearances. See dimensional requirements shown in the bus plug section of this publication.

Reference the following documents online at [www.usa.siemens.com/busway](http://www.usa.siemens.com/busway).

- Sentron Quick Reference
- Busway Order Entry Checklist
- Sentron Busway Installation and Instruction Guide

### Maintenance

In order to maintain system performance, it is necessary to perform regular maintenance on your busway system. Siemens Storage, Installation and Maintenance Instructions, and NEMA Publication BU1.1 should be used as a guide to proper maintenance procedures. Routine maintenance of your busway system will increase its life and performance.

### Custom Product

With a 60 year history in designing and manufacturing Busway Systems, Siemens can develop custom solutions to meet specific job requirements. Siemens specializes in custom engineered busway sections, connections, and bus plugs. Consult your local Siemens sales office for details on custom pricing and ordering

### Connecting to Existing Equipment

Do you have existing power distribution equipment (non-Sentron) that you would like to run Sentron Busway to or from? Siemens can engineer special connection pieces that allow you to connect Sentron Busway quickly and efficiently.

### Transformer Connections

Siemens can connect Sentron Busway to almost any transformer. All you need to do is provide complete drawings of transformer secondary connections with detailed drilling pattern and phasing information to your local Siemens sales engineer and they can order you a custom designed connection piece.

### Paint

Sentron Busway products have a protective finish of ANSI 61 gray (standard) polyester urethane powder paint. The paint is electrostatically applied to all housing surfaces. Colors other than ANSI 61 gray may be special ordered.

Low Current Density Busway Sentron Busway may be ordered as 1000 A/in<sup>2</sup> Copper or 750 A/in<sup>2</sup> Aluminum.

Conversion is as follows:

Required M or L Rating	
AL	L-Rated
225	—
400	—
600	—
800	400
1000	600
1200	800
1350	1000
1600	1200
2000	1350,1600
2500	2000
3000	2500
3200	2000
4000	3000,3200

Required M or L Rating	
AL	L-Rated
225	—
400	—
600	—
800	400
1000	—
1200	600
1350	800
1600	1000
2000	1200, 1350
—	1600
2500	2000
3000	—
3200	—
4000	2500, 3000
5000	4000

“L” Rating = 750 A/in<sup>2</sup> Aluminum  
 “M” Rating = 1000 A/in<sup>2</sup> Copper  
 1600 “M” rated is dedicated offering.

# Sentron® Busway Systems – Reference Information

## Cubicle Options

*Selection*

### Applications – 200% Neutral Option

Power system harmonics are created by numerous types of non-linear loads which are often very high in harmonic content. The harmonics generated create problems in electrical systems and equipment. The presence of nonlinear loads can result in overheated neutrals and lead to deterioration of equipment performance and a reduced equipment life cycle. In order to prevent such problems from occurring, the Computer and Business Equipment Manufacturers Association (CBEMA) recommends that the neutral be oversized to at least 173% of the ampacity of the phase conductors to prevent problems. Sentron Busway offers two fully rated bus bars, therefore providing twice the current carrying surface as the phase bars. Each neutral bar is plated with the same tin plating and insulated with the same electrostatically applied epoxy insulation as the phase bars. This 200% neutral capacity helps prevent overheating caused by non-linear loads.

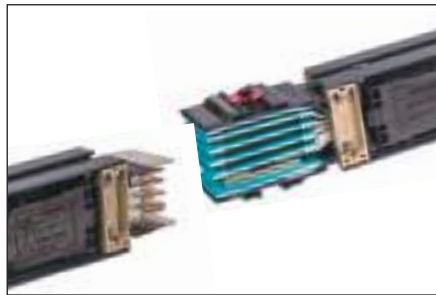
### Isolated Ground

Sentron Busway is available with an optional isolated ground. This isolated ground provides a clean ground path for high frequency signals coming through the ground. This option is very useful in applications where there are computers or diagnostic equipment. The isolated ground option is often used in hospitals and higher technology industry applications.

### Services – Power II Fit Final Connection Program

A “Final Connection” section is a length of busway inserted into a run of busway after the major portion of the busway run has been installed. This allows the release of the majority of the busway run long before the final dimensions are known.

Final Connection pieces must be identified at the time of the original order release with approximate date of Final Connection order. The Final Connection order form should be emailed to Busway Customer Service. For program details visit our website: [www.usa.siemens.com/busway](http://www.usa.siemens.com/busway) or contact your local Siemens sales office.



### Measuring and Layout

For large jobs, Siemens Busway Systems offer assistance with measuring and layout of the busway. This service is negotiated on a job by job basis.

### Technical Support

The Customer Interaction Center (CIC) provides 24/7 bilingual support for our customers.

The CIC provides both telephone and online support. You can send in your request via email or by giving the CIC a call.

Email us: [cic.ca@siemens.com](mailto:cic.ca@siemens.com)  
Toll-Free Support: 1-888-303-3353

# Sentron® Busway Systems – Reference Information

## Power II Fit Program

*Selection*

### What is the Power II Fit Program?

Siemens PowerIIFit (PIIF) Program compensates for dimensional deviations that may result in busway layouts. With the PIIF Program, specific dimensions on straight sections and/or elbows may be left out of factory released drawings. After the busway run has been installed (minus PIIF pieces), final measurements are taken and sent to the factory. The PIIF Program guarantees shipment of straight sections and/or 90 degree angle elbows within 5 business days for IP40 (indoor) and 8 business days for NEMA 3R (outdoor), upon receipt of the PIIF Order Form. The PIIF Program may be used with SENTRON.

### Why use the Power II Fit Program?

The PIIF Program can save you both time and money by eliminating uncertainty in busway measurements. When you take advantage of the PIIF Program, your busway runs fit exactly the first time, eliminating incorrect pieces and costly reordering time.

### When should the Power II Fit Program be used?

The PIIF Program will benefit you when you are uncertain of exact dimensions on long busway runs and when difficult contour situations require special attention.

### Program Details

- Product Line: SENTRON.
- Pricing: Included with original order entry.
- Quantity: A maximum of 5 pieces per order. (Straight feeder sections and/or 90 degree elbows.)
- Shipment: 5 business days for IP40 (indoor) and 8 business days for NEMA 3R (outdoor), after receipt of PIIF Order Form. All orders ship via standard carrier originating from Spartanburg, SC. Optional air freight shipments available when the customer bears the shipping cost.

### Ordering Details

- Identify Siemens Busway PIIF Pieces at time of original order. Busway Customer Service approves PIIF Pieces.
- Send PIIF Order Form to Busway Customer Service when exact measurements are known.
- Busway Customer Service acknowledges PIIF Order and PIIF pieces ship within 5 business days for IP40 (indoor) and 8 business days for NEMA 3R (outdoor).



### What is the Power II Measure service?

Siemens PowerII Measure (PIIM) service provides professional busway routing and measurement by a factory representative. The Siemens representative will meet with the designated site contact to review project details and discuss routing options. Using a laser measuring device, all pertinent site measurements will be recorded and then transferred to CAD approval drawing(s). The PIIM service guarantees correct alignment and routing of the busway. If there are any errors in the busway routing that resulted from Siemens, replacement busway items will be provided at no charge.

### Why use the Power II Measure service?

- The PIIM service can save you both time and money by:
- Ensuring the most cost effective busway routing
  - Ensuring accurate measurements
  - Reducing order engineering lead-time

### When should the Power II Measure service be used?

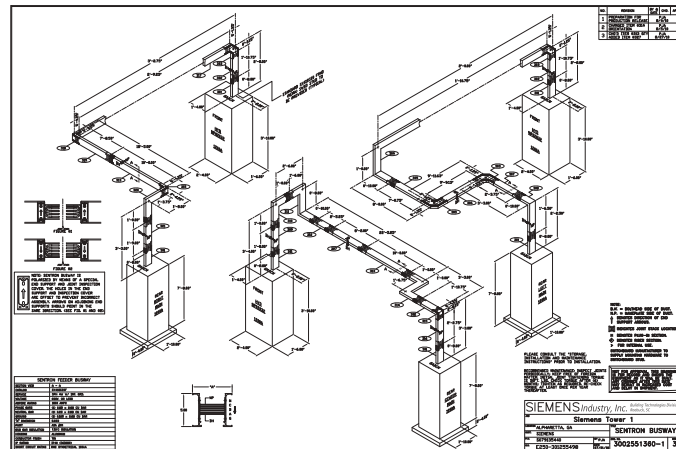
The PIIM service can be beneficial for all projects (new or existing, large or small). The PIIM service is especially beneficial for large and/or complex projects.

### Program details

- Product Line: Sentron, XJL, XLU, BD
- Pricing: Fixed daily rate includes travel expenses, site review, measurement service and approval drawings
- Deliverable: An electronic CAD approval package will be submitted within 3 weeks of the site visit. The drawing package will include isometric busway routing with gear orientation, and any special application notes/details.

### Ordering details

- The PIIM service should be ordered at the same time as the busway
- The PIIM service may be ordered for project cost estimation
- Allow 2 weeks notice to schedule the PIIM service





# Sentron® Busway Systems – Reference Information

## Siemens Sentron Busway Quick Reference

General

### Siemens Sentron Busway Quick Reference

#### Critical Dimensions:

Busway that passes through a wall, ceiling or floor:

- Centerline of a joint to the wall, ceiling or floor = 7 in. min.
- Centerline of a joint (**above a floor support**) to a floor = 16 in. min.
- Joints cannot be positioned inside a wall, ceiling or floor (**joints must be accessible for maintenance**)

Feeder Busway clearances:

- From the top of the busway to a ceiling/floor/wall or other busway = 6 in. min.
- From the side of the busway to a ceiling/floor/wall or other busway = 4 in. min

Plug-in Busway clearances:

- Plug-In busway clearances depend on the configuration of bus plugs (*see bus plug clearance charts in the Sentron Selection and Application Guide*)
- Otherwise, clearances for feeder busway apply
- Note orientation of the operating handle and provide clearance for access & operation

Feeder Busway length:

- Minimum length = 14.38 in.
- Maximum length = 10 ft.

Plug-In & Riser length:

- Available only in 4, 6, 8 and 10 ft. lengths

Flat Elbow section:

- Maximum leg length = 4 ft.
- Minimum leg length: Varies according to amperage and bus bar material

Edge Elbow section:

- Maximum length = 4 ft.
- Minimum leg length = 10 in.

Combination and Offset Elbows:

- Maximum leg lengths = 4 ft.
- Minimum leg lengths: varies according to amperage and bus bar material

Elbow - Stub Combinations:

- Maximum leg length = 4 ft.
- Minimum leg length = 2.50 in. + (case size x .5)

#### Critical Details:

- Busway DRAWINGS must include all relevant dimensions
- CENTERLINE dimensions are expected (**please note any dimensions that are not center line dimensions**)
- WALLS and FLOORS must be located (**wall & floor thickness must be included**)
- Locate the **FRONT of all switchboards** and provide the phasing of any existing boards (**advise if any PADs are located under boards**)
- When using ONE-SIDED plug-in busway please note the desired direction of the load side of bus plugs (**G,A,B,C,N from left to right will position the load side to the bottom and "UP is On" handle operation**)
- TRANSFORMER THROAT connections require complete details.
- Horizontal plug-in busway must be oriented with the A phase on top (**bolt head on top**).
- In-Line Disconnect CUBICLES are engineered to order. The **FRONT** of the cubicle and **Breaker** information must be specified.
- Panels - panel type and size / if a certain panel or breaker height is required (those dimensions)
- Curb height

#### Intermediate Hangers

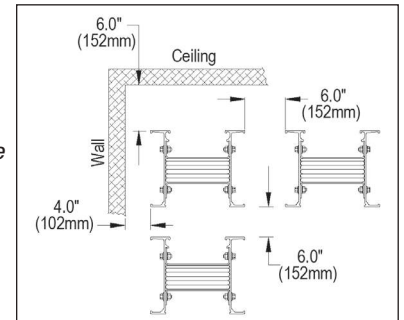
- Add qty (1) Intermediate Hanger for floor to ceiling height greater than 16ft. Consult factory if greater than 32 ft.

#### Expansion Sections:

- Qty (1) Expansion Section should be used for every 200ft of continuous Busway run length, at every transition to a vertical run, and at each building expansion joint.

#### Outdoor Busway:

- Route busway to minimize outdoor busway run length
- Call factory before quoting outdoor busway runs over 50 ft.
- Avoid installing busway near exhaust pipes that may generate steam or caustic vapors



Feeder Busway minimal clearances

# Sentron Bus Plugs

## Table of Contents



Non-Metered Sentron 3/6 Bus Plug



Sentron SLVB Bus Plug

## Contents

### Sentron Busway Systems

Sentron Bus Plug Overview	13-43
Sentron Bus Plugs – Circuit Breaker (Installed) – Catalogue Numbering System	13-44
Sentron Circuit Breaker Bus Plugs	13-45
Bus Plugs with Standard Circuit Breakers	13-46
Bus Plugs with Current Limiting Circuit Breakers	13-47
Sentron Circuit Breaker Bus Plugs Dimensions and Weights	13-48
Wall Clearance and Circuit Breaker Bus Plug Dimensions	13-49
Sentron Bus Plugs – SLVB Fusible - Catalogue Numbering System	13-50
Sentron SLVB Fusible Bus Plugs	13-51 –13-52
Sentron Fusible Bus Plugs Dimensions and Weights	13-53 –13-54
Wall Clearance and Fusible Bus Plug Dimensions	13-55
Sentron SPD Bus Plugs	13-56
Sentron SPD Bus Plugs – Catalogue Numbering System	13-57
Sentron SPD Bus Plugs Dimensions and Weights	13-58
Sentron 3/6 Bus Plugs	13-59
Sentron 3/6 Bus Plugs – Circuit Breaker (Installed) – Catalogue Numbering System	13-62
Sentron 3/6 Bus Plugs – Product Configurations	13-61
Sentron 3/6 Bus Plugs Dimensions and Weights	13-62 –13-63



# Sentron® Busway Systems – Reference Information

## Sentron Bus Plug Overview

Overview

SENTRON Bus Plugs are engineered with the installer and end user in mind. The installer will benefit from the numerous features, such as factory installed circuit breakers, compact footprint, generous wirebend space, and dual interlocks. The end user will appreciate the visible position indicator, as well as the spring loaded pad lockable latch which prevents access to unauthorized personnel.

SENTRON Bus Plugs are designed with an interlock device to prevent the door from being opened when the disconnect is on. This also prevents the disconnect from being turned on while the door is open. The interlock ensures that the protective device is “OFF” prior to installation or removal of the bus plug. Once the bus plug is properly installed, a spring - loaded, padlock latch provides additional security by preventing unauthorized access to the unit.

Alignment and interlock stabs are features of the Sentron Bus Plugs engineered to prevent improper installation of the unit. Guide stabs

prevent installing the bus plug 180 degrees out of rotation. In addition, the stabs provide vertical support for vertical applications. The bus plug ground stabs are designed to ensure positive contact with both the integral and optional internal busway grounds before the bus plug fingers contact the phase and neutral bars. Sentron Bus Plugs also feature bolt-on mounting to the busway housing for secure attachment.

Sentron Bus Plugs can be configured for horizontal or vertical applications. The following Bus Plugs can be mounted (side by side) five (5) per busway side channel (Total 10 per 10' Section).

- 30-600 SLVBH Fusible (Horizontal)<sup>①</sup>
- 30-200 SLVBR Fusible (Riser)<sup>①</sup>
- 30-400 Circuit Breaker<sup>①</sup>
- 10-100A 3/6 Bus Plug (Horizontal)<sup>②</sup>

Sentron SLVB Fusible Bus Plugs feature a direct drive mechanism. The operating handle mounts directly to the switch mechanism for fewer moving parts.

Enclosure Ratings:

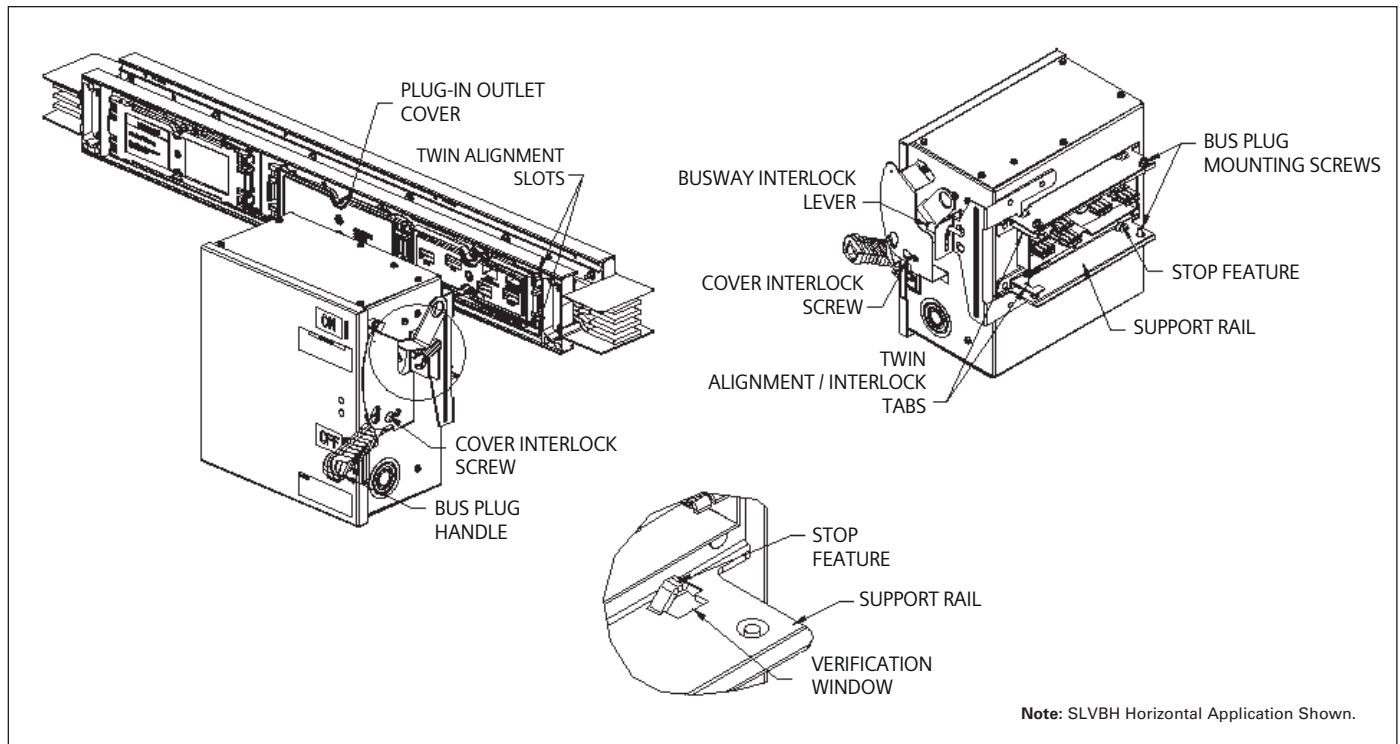
- IP40
- IP55

Conductors:

- 3-phase, 3-wire
- 3-phase, 4-wire
- 3-phase, 4-wire 200% neutral (400A and below)

Grounding:

- Integral (Housing)
- Internal
- Isolated



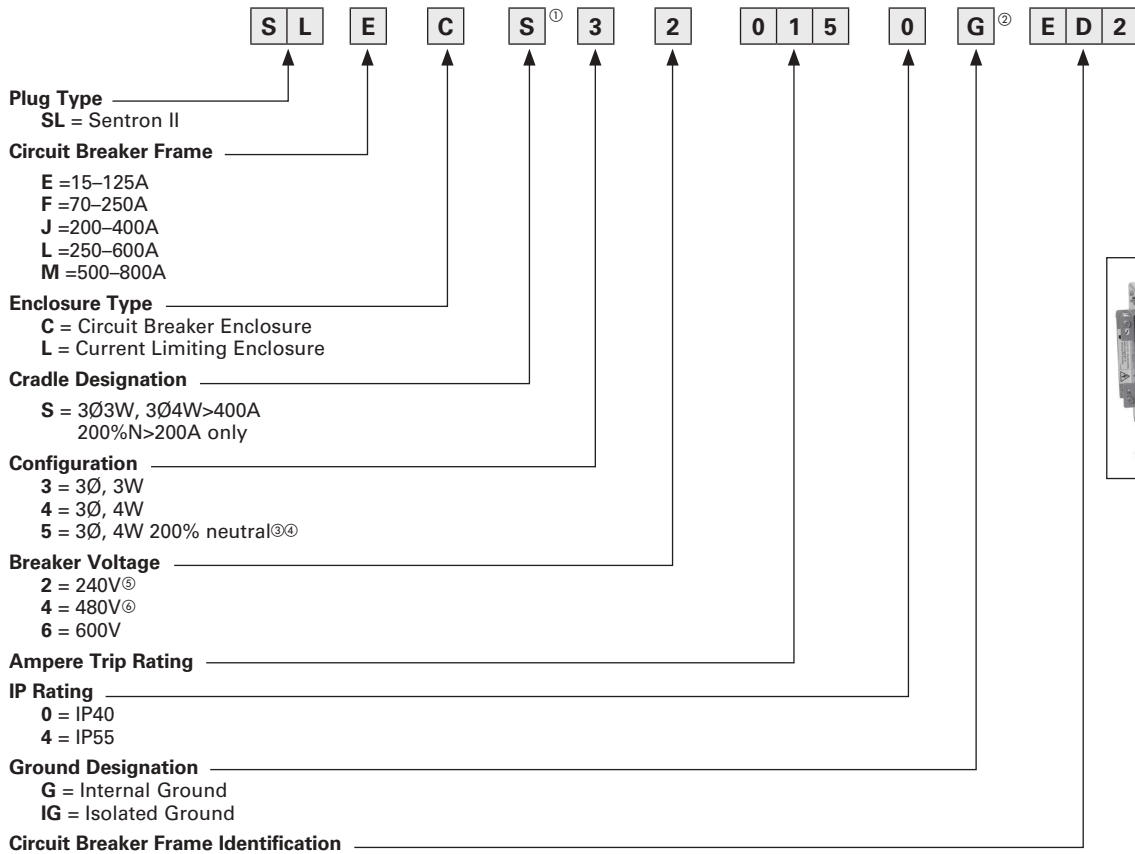
① Contact Siemens for 200% Neutral Applications.  
② IP55 enclosure not available.

# Sentron® Bus Plugs

## Catalogue Numbering System

*Selection / Application*

Sentron Bus Plugs—Circuit Breaker (Installed)



① The S digit is only used on 3- and 4-wire (100%N) plugs that are greater than 400A and 200%N plugs greater than 200A. Lower amperage plugs do not require this digit. (Ex. SLID3610, SLEC32060ED2)

② The G and IG digits are used to specify internal and isolated ground respectively. Integral (housing) ground plugs do not require this digit. (Ex. SLID3610, SLEC360150ED6)

③ Available through 250A only.  
 ④ Available with E and F Frame breakers only.  
 ⑤ Available with ED2 breakers only.  
 ⑥ Available with ED4 and HHED6 breakers only.

# Sentron® Bus Plugs

## Circuit Breaker Bus Plugs

Overview

### Standard Circuit Breakers, Bus Plug Ratings<sup>①</sup>

Plug-In Units Series	Circuit Breaker Max. Rating	Frame Size	Max. Short Circuit Current Rating
SLEC	125A, 600V	E Frame	100kA, 240V, 3 ph 65kA, 480V, 3 ph <sup>①</sup> 25kA, 600V, 3 ph
SLFC	250A, 600V	F Frame	200kA, 240V, 3 ph 100kA, 480V, 3 ph 25kA, 600V, 3 ph
SLJC	400A, 600V	J Frame	200kA, 240V, 3 ph 100kA, 480V, 3 ph 50kA, 600V, 3 ph
SLLCS	600A, 600V	L Frame	200kA, 240V, 3 ph 100kA, 480V, 3 ph 50kA, 600V, 3 ph
SLMCS	800A, 600V	M Frame	200kA, 240V, 3 ph 100kA, 480V, 3 ph 65kA, 600V, 3 ph

### Current Limiting Circuit Breakers, Bus Plug Ratings<sup>①</sup>

Plug-In Units Series	Circuit Breaker Max. Rating	Frame Size	Max. Short Circuit Current Rating
SLEL	125A, 600V	CED Frame	200KA, 240V, 3 ph 200KA, 480V, 3 ph 100KA, 600V, 3 ph
SLFL	250A, 600V	CFD Frame	200KA, 240V, 3 ph 200KA, 480V, 3 ph 100KA, 600V, 3 ph
SLJL	400A, 600V	CJD Frame	200KA, 240V, 3 ph 150KA, 480V, 3 ph 100KA, 600V, 3 ph
SLLLS	600A, 600V	CLD Frame	200KA, 240V, 3 ph 150KA, 480V, 3 ph 100KA, 600V, 3 ph
SLMLS	800A, 600V	CMD Frame	200KA, 240V, 3 ph 100KA, 480V, 3 ph 65KA, 600V, 3 ph

Sentron Circuit Breaker Bus Plugs feature an easy to read “position indicator” label, designed to be visible from the floor, that clearly marks whether the bus plug is in the “Off,” “On,” or “Tripped” position. Circuit breaker bus plugs are available in frame sizes from 125 amps to 800 amps with interrupting ratings of standard, high or current limiting.

Circuit breaker bus plugs will be shipped complete with factory installed circuit breakers. The following Siemens molded case circuit breaker frames may be ordered with Sentron Circuit Breaker Bus Plugs: ED2, ED4, ED6, HED4, HHED6, CED6, FXD6, FD6, HFD6, CFD6 JXD6, JD6, HJD6, CJD6, LXD6, HLD6, CLD6, MXD6, HMD6, CMD6.

Refer to the diagram on page <?> for easy ordering instructions.

Sentron circuit breaker bus plugs can be custom configured to meet application specific requirements.

Consult your local Siemens sales office for details on custom pricing and ordering.

<sup>①</sup> Available in IP40 or IP55 variant.

# Sentron® Bus Plugs

## Bus Plugs with Standard Circuit Breakers ①②③④

Selection

BUSWAY SYSTEMS 13

Ampere Rating	Catalogue Number
---------------	------------------

### E Frame 3-Pole, 240 Volt, ED2 Breaker

15-60A	SLEC32***0ED2 SLEC32***0GED2 SLEC32***0IGED2
70-100A	SLEC32***0ED2 SLEC32***0GED2 SLEC32***0IGED2

### E Frame 3-Pole, 480 Volt, ED4 Breaker

15-60A	SLEC34***0ED4 SLEC34***0GED4 SLEC34***0IGED4
70-100A	SLEC34***0ED4 SLEC34***0GED4 SLEC34***0IGED4
110-125A	SLEC34***0ED4 SLEC34***0GED4 SLEC34***0IGED4

### E Frame 3-Pole, 600 Volt, ED6 Breaker

15-60A	SLEC36***0ED6 SLEC36***0GED6 SLEC36***0IGED6
70-100A	SLEC36***0ED6 SLEC36***0GED6 SLEC36***0IGED6
110-125A	SLEC36***0ED6 SLEC36***0GED6 SLEC36***0IGED6

### F Frame 3-Pole, 600 Volt, FXD6 Breaker

70-225A	SLFC36***0FXD6 SLFC36***0GFXD6 SLFC36***0IGFXD6
250A	SLFC362500FXD6 SLFC362500GFXD6 SLFC362500IGFXD6

### J Frame 3-Pole, 600 Volt, JXD6 Breaker

200-400A <sup>④</sup>	SLJC36***0JXD6 SLJC36***0GJXD6 SLJC36***0IGJXD6
-----------------------	---

### L Frame 3-Pole, 600 Volt, LXD6 Breaker

450-600A <sup>④</sup>	SL LCS36***0LXD6 SL LCS36***0GLXD6 SL LCS36***0IGLXD6
-----------------------	---

### M Frame 3-Pole, 600 Volt, MXD6 Breaker

500-800A <sup>④</sup>	SLMCS36***0MXD6 SLMCS36***0GMXD6 SLMCS36***0IGMXD6
-----------------------	--

Ampere Rating	Catalogue Number
---------------	------------------

### E Frame 4-Pole, 240 Volt, ED2 Breaker

15-60A	SLEC42***0ED2 SLEC42***0GED2 SLEC42***0IGED2
70-100A	SLEC42***0ED2 SLEC42***0GED2 SLEC42***0IGED2

### E Frame 4-Pole, 480 Volt, ED4 Breaker

15-60A	SLEC44***0ED4 SLEC44***0GED4 SLEC44***0IGED4
70-100A	SLEC44***0ED4 SLEC44***0GED4 SLEC44***0IGED4
110-125A	SLEC44***0ED4 SLEC44***0GED4 SLEC44***0IGED4

### E Frame 4-Pole, 600 Volt, ED6 Breaker

15-60A	SLEC46***0ED6 SLEC46***0GED6 SLEC46***0IGED6
70-100A	SLEC46***0ED6 SLEC46***0GED6 SLEC46***0IGED6
110-125A	SLEC46***0ED6 SLEC46***0GED6 SLEC46***0IGED6

### F Frame 4-Pole, 600 Volt, FXD6 Breaker

70-225A	SLFC46***0FXD6 SLFC46***0GFXD6 SLFC46***0IGFXD6
250A	SLFC462500FXD6 SLFC462500GFXD6 SLFC462500IGFXD6

### J Frame 4-Pole, 600 Volt, JXD6 Breaker

200-400A <sup>④</sup>	SLJC46***0JXD6 SLJC46***0GJXD6 SLJC46***0IGJXD6
-----------------------	---

### L Frame 4-Pole, 600 Volt, LXD6 Breaker

450-600A <sup>④</sup>	SL LCS46***0LXD6 SL LCS46***0GLXD6 SL LCS46***0IGLXD6
-----------------------	---

### M Frame 4-Pole, 600 Volt, MXD6 Breaker

500-800A <sup>④</sup>	SLMCS46***0MXD6 SLMCS46***0GMXD6 SLMCS46***0IGMXD6
-----------------------	--

Ampere Rating	Catalogue Number
---------------	------------------

### E Frame 200% Neutral

15-60A	SLEC52***0ED2 SLEC52***0GED2 SLEC52***0IGED2
70-100A	SLEC52***0ED2 SLEC52***0GED2 SLEC52***0IGED2

### E Frame 200% Neutral

15-60A	SLEC54***0ED4 SLEC54***0GED4 SLEC54***0IGED4
70-100A	SLEC54***0ED4 SLEC54***0GED4 SLEC54***0IGED4
110-125A	SLEC54***0ED4 SLEC54***0GED4 SLEC54***0IGED4

### E Frame 200% Neutral

15-60A	SLEC56***0ED6 SLEC56***0GED6 SLEC56***0IGED6
70-100A	SLEC56***0ED6 SLEC56***0GED6 SLEC56***0IGED6
110-125A	SLEC56***0ED6 SLEC56***0GED6 SLEC56***0IGED6

### F Frame 200% Neutral

70-200A	SLFC56***0FXD6 SLFC56***0GFXD6 SLFC56***0IGFXD6
225-250A	SLFC56***0FXD6 SLFC56***0GFXD6 SLFC56***0IGFXD6

Description	Catalogue Number
Spring Kit	SXSK

NOTE: Used on 400A and larger bus plugs that require auxiliary support and that are mounted on vertical/riser busway. Kit contains two springs (part number 32-9909-04). One kit required per bus plug. Spring kits are automatically included when 400A and larger bus plug is selected.

① Replace "\*\*\*\*" with breaker trip rating.

Example: SLEC36060ED6, for 60A trip.

② All plugs shown have an IP40 rating, if IP54/55 is desired substitute "4" for "0" in position 10 (or 11 for cradle plugs):

E Frame: Ex. SLEC360604ED6  
F Frame: Ex. SLFC360704FXD6  
J Frame: Ex. SLJC36100JXD6  
L Frame: Ex. SL LCS365004LXD6  
M Frame: Ex. SLMCS368004MXD6

③ For the following breaker substitutions, change the catalogue number suffix:

15-60A: HHED6 Ex. SLEC36\*\*\*0HHED6  
70-100A: HHED6 Ex. SLEC36\*\*\*0HHED6  
110-125A: HHED6 Ex. SLEC36\*\*\*0HHED6  
F Frame: FD6 Ex. SLFC36\*\*\*0FD6  
F Frame: HFD6 Ex. SLFC36\*\*\*0HFD6  
J Frame: JD6 Ex. SLJC36\*\*\*0JD6  
J Frame: HJD6 Ex. SLJC36\*\*\*0HJD6  
L Frame: LD6 Ex. SL LCS36\*\*\*0LD6  
L Frame: HLD6 Ex. SL LCS36\*\*\*0HLD6  
M Frame: MD6 Ex. SLMCS36\*\*\*0MD6  
M Frame: HMD6 Ex. SLMCS36\*\*\*0HMD6

④ 400A and larger bus plugs that require auxiliary support. See also SXSK Spring Kit.

# Sentron® Bus Plugs

## Bus Plugs with Current Limiting Circuit Breakers<sup>①②</sup>

Selection

Ampere Rating	Catalogue Number
---------------	------------------

### E Frame 3-Pole, 600 Volt, CED6 Breaker

15-60A	SLEL36***0CED6 SLEL36***0GCED6 SLEL36***0IGCED6
70-100A	SLEL36***0CED6 SLEL36***0GCED6 SLEL36***0IGCED6
110-125A	SLEL36***0CED6 SLEL36***0GCED6 SLEL36***0IGCED6

### F Frame 3-Pole, 600 Volt, CFD6 Breaker

100-225A	SLFL36***0CFD6 SLFL36***0GCFD6 SLFL36***0IGCFD6
250A	SLFL362500CFD6 SLFL362500GCFD6 SLFL362500IGCFD6

### J Frame 3-Pole, 600 Volt, CJD6 Breaker

200-400A <sup>③</sup>	SLJL36***0CJD6 SLJL36***0GCJD6 SLJL36***0IGJD6
-----------------------	--

### L Frame 3-Pole, 600 Volt, CLD6 Breaker

450-600A <sup>③</sup>	SLLS36***0CLD6 SLLS36***0GCLD6 SLLS36***0IGCLD6
-----------------------	---

### M Frame 3-Pole, 600 Volt, CMD6 Breaker

500-800A <sup>③</sup>	SLLS36***0CMD6 SLLS36***0GCMD6 SLLS36***0IGCMD6
-----------------------	---

Ampere Rating	Catalogue Number	Ampere Rating	Catalogue Number
---------------	------------------	---------------	------------------

### E Frame 4-Pole, 600 Volt, CED6 Breaker

15-60A	SLEL46***0CED6 SLEL46***0GCED6 SLEL46***0IGCED6
70-100A	SLEL46***0CED6 SLEL46***0GCED6 SLEL46***0IGCED6
110-125A	SLEL46***0CED6 SLEL46***0GCED6 SLEL46***0IGCED6

### F Frame 4-Pole, 600 Volt, CFD6 Breaker

100-225A	SLFL46***0CFD6 SLFL46***0GCFD6 SLFL46***0IGCFD6
250A	SLFL462500CFD6 SLFL462500GCFD6 SLFL462500IGCFD6

### J Frame 4-Pole, 600 Volt, CJD6 Breaker

200-400A <sup>③</sup>	SLJL46***0CJD6 — SLJL46***0GCJD6 — SLJL46***0IGJD6 —
-----------------------	--

### L Frame 4-Pole, 600 Volt, CLD6 Breaker

450-600A <sup>③</sup>	SLLS46***0CLD6 SLLS46***0GCLD6 SLLS46***0IGCLD6
-----------------------	---

### M Frame 4-Pole, 600 Volt, CMD6 Breaker

500-800A <sup>③</sup>	SLLS46***0CMD6 SLLS46***0GCMD6 SLLS46***0IGCMD6
-----------------------	---

### E Frame 200% Neutral

15-60A	SLEL56***0CED6 SLEL56***0GCED6 SLEL56***0IGCED6
70-100A	SLEL56***0CED6 SLEL56***0GCED6 SLEL56***0IGCED6
110-125A	SLEL56***0CED6 SLEL56***0GCED6 SLEL56***0IGCED6

### F Frame 200% Neutral

70-200A	SLFL56***0CFD6 SLFL56***0GCFD6 SLFL56***0IGCFD6
225-250A	SLFL56***0CFD6 SLFL56***0GCFD6 SLFL56***0IGCFD6

### J Frame 200% Neutral

200A <sup>③</sup>	SLJL562000CJD6 SLJL562000GCJD6 SLJL562000IGJD6
225-400A <sup>③</sup>	SLJLS56***0CJD6 SLJLS56***0GCJD6 SLJLS56***0IGJD6

① Replace "\*\*\*\*" with breaker trip rating.

Example: SLEC36060ED6, for 60A trip.

② All plugs shown have an IP40 rating, if IP54/55 is desired, substitute "4" for "0" in position 10 (or 11 for cradle plugs):

E Frame: Ex. SLEC360604ED6

F Frame: Ex. SLFC360704FXD6

J Frame: Ex. SLJC361004JXD6

L Frame: Ex. SLLCS365004LXD6

M Frame: Ex. SLMCS368004MXD6

③ 400A and larger bus plugs that require auxiliary support. See also SXSK Spring Kit.

# Sentron® Bus Plugs

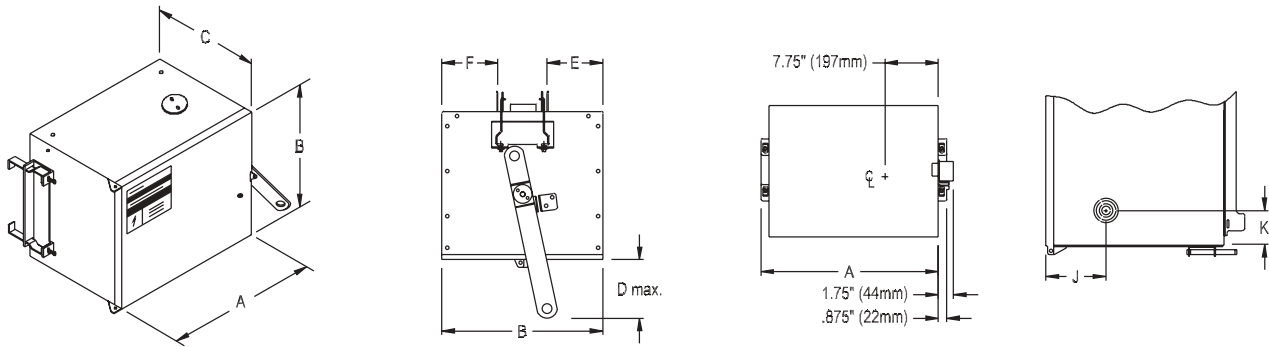
## Circuit Breaker Bus Plugs Dimensions and Weights

*Selection*

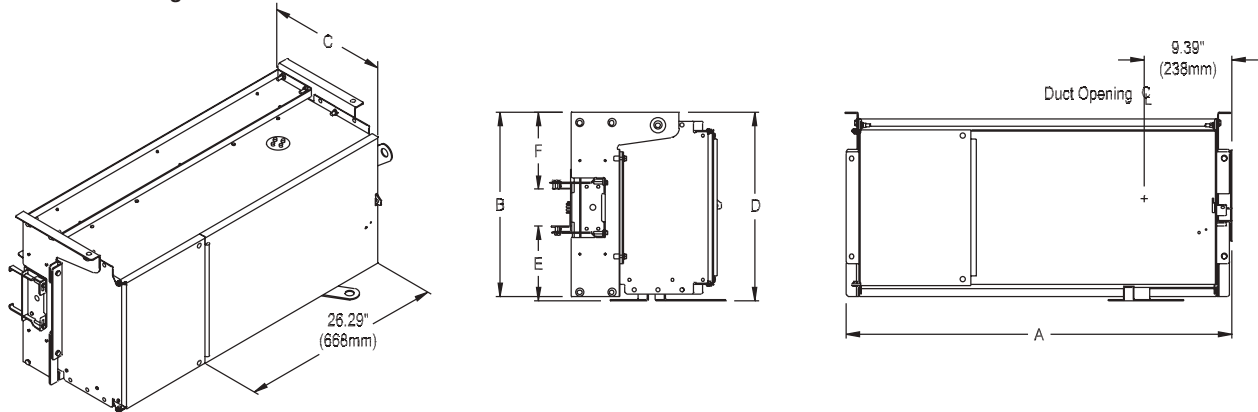
### Circuit Breaker Bus Plugs, Dimensions and Weights (Enclosure only)

Ampere Rating	Dimensions Inches (mm)								Weight lbs (kg)
	"A"ⓐ	"B"	"C"	"D" max.	"E"	"F"	"J"	"K"	
125	15.13 (384)	10.18 (259)	9.75 (248)	1.60 (41)	2.50 (64)	2.50 (64)	3.50 (89)	2.25 (57)	35 (15.87)
250	20.25 (514)	10.18 (259)	9.75 (248)	1.60 (41)	2.50 (64)	2.50 (64)	3.25 (83)	3.25 (83)	50 (22.68)
400	21.75 (552)	16.75 (425)	11.75 (298)	1.60 (41)	5.75 (146)	5.75 (146)	4.00 (102)	3.25 (83)	83 (37.64)
600	41.50 (1054)	19.75 (502)	15.75 (400)	2.31 (59)	7.00 (178)	7.75 (197)	—	—	130 (58.97)
800	41.50 (1054)	19.75 (502)	15.75 (400)	2.31 (59)	7.00 (178)	7.75 (197)	—	—	177 (80.29)

### 125 – 400A Bus Plugs



### 600 – 800A Bus Plugs



### Circuit Breaker Bus Plugs, Load Lugs and Knockouts

Frame Size	Ground Lug Cu/Al	Neutral Lug Cu/Al	Phase Lug Cu/Al	Knockout Sizes In. (mm)
E Frame	#14-2	#14-2	#14-1/0	7/8 (22)
F Frame	#14-2	#6-350 kcmil	#6-350 kcmil	7/8 (22)
J Frame	#14-2	(2) #4-500 kcmil	(2) 3/0-500 kcmil	7/8 (22)
L Frame	#6-350 kcmil	(2) 3/0-500 kcmil	(2) 3/0-500 kcmil	No Knockouts
J Frame	(2) #4-500 kcmil	(3) #1-500 kcmil	(3) #1-500 kcmil	No Knockouts

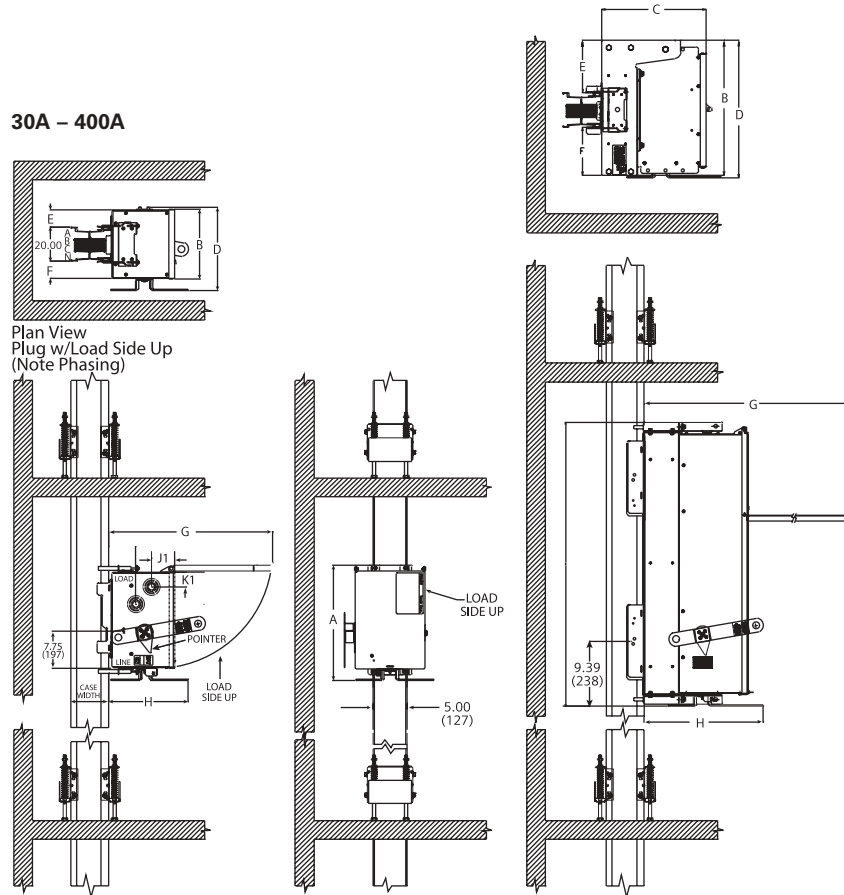
ⓐ Current limiting breakers add 5-7 inches to dimension A, depending upon breaker amperage.

# Sentron® Bus Plugs

## Wall Clearance and Circuit Breaker Bus Plug Dimensions

Selection

### 600A and 800A Cradle Mounted



Dim. Legend	Circuit Breaker Plugs No Cradle						Circuit Breaker Plugs w/Cradle				
	E Frame Current		F Frame <sup>①</sup> Current		J Frame <sup>①</sup> Current		L Frame Current		M Frame Current		
	Standard	Limiting	Standard	Limiting	Standard	Limiting	Standard	Limiting	Standard	Limiting	
A	17.00 (432)	22.00 (559)	22.00 (559)	27.00 (686)	23.50 (597)	30.50 (775)	41.50 (1054)	41.50 (1054)	41.50 (1054)	41.50 (1054)	
B	10.25 (260)	10.25 (260)	10.25 (260)	10.25 (260)	16.75 (425)	16.75 (425)	19.75 (502)	19.75 (502)	19.75 (502)	19.75 (502)	
C	9.75 (248)	9.75 (248)	9.75 (248)	9.75 (248)	11.75 (298)	11.75 (298)	15.75 (400)	15.75 (400)	15.75 (400)	15.75 (400)	
D	12.25 (311)	12.25 (311)	12.25 (311)	12.25 (311)	18.75 (476)	18.75 (476)	20.25 (514)	20.25 (514)	20.25 (514)	20.25 (514)	
E	2.50 (64)	2.50 (64)	2.50 (64)	2.50 (64)	5.75 (146)	5.75 (146)	7.75 (197) <sup>①</sup>	7.75 (197)	7.75 (197)	7.75 (197)	
F	2.50 (64)	2.50 (64)	2.50 (64)	2.50 (64)	5.75 (146)	5.75 (146)	7.00 (178)	7.00 (178)	7.00 (178)	7.00 (178)	
G	24.00 (610)	29.00 (737)	29.00 (737)	29.00 (737)	32.50 (826)	39.50 (1003)	41.50 (1054)	41.50 (1054)	41.50 (1054)	41.50 (1054)	
H	11.25 (286)	11.25 (286)	11.25 (286)	11.25 (286)	13.50 (343)	13.50 (343)	18.00 (457)	18.00 (457)	18.00 (457)	18.00 (457)	
J1	3.50 (89)	3.50 (89)	3.25 (83)	3.25 (83)	4.00 (102)	4.00 (102)	—	—	—	—	
K1	2.25 (57)	2.25 (57)	3.25 (83)	3.25 (83)	3.25 (83)	3.25 (83)	—	—	—	—	

**Legend:**

- A = Length of enclosure including handle
- B = Height of enclosure
- C = Depth of enclosure
- D = Height of enclosure including optional handle location
- E = Extension of plug above top of busway
- F = Extension of plug below bottom of busway
- G = Cover (depth) clearance for enclosure
- H = Depth of enclosure from handle to edge of busway
- J = Knockout/ pilot hole location (horizontal)
- K = Knockout/ pilot hole location (vertical)

**① 200%N Applications**

- for F-Frame Rated <200A use L-Frame Dims.
- for J-Frame Rated <400A use L-Frame Dims.
- for 400A Fusible switch use 600A Switch Dims.

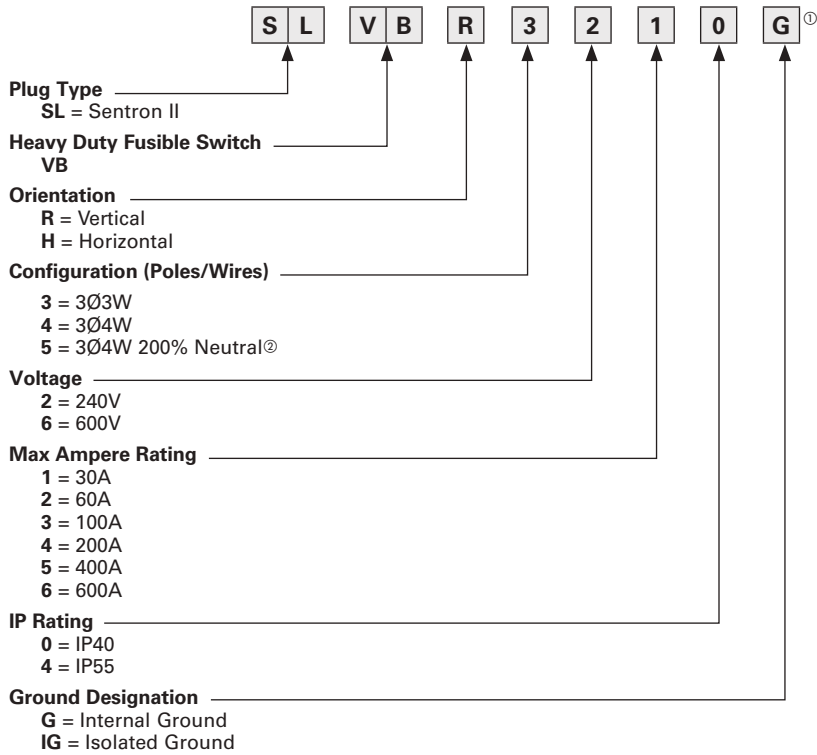


# Sentron® Bus Plugs

## Catalogue Numbering System

*Selection / Application*

Sentron SLVB Bus Plugs—Fusible



<sup>Ⓞ</sup> The G and IG digits are used to specify internal and isolated ground respectively. Integral (housing) ground plugs do not require this digit. (Ex. SLID3610, SLEC360150ED6)

<sup>Ⓢ</sup> Available through 400A only.

# Sentron® Bus Plugs

## Fusible Bus Plugs

Selection

### Fusible Bus Plugs

The Sentron SLVB Bus Plug meets all UL and CSA standards to assure reliable performance in all environments. The installer and end user will appreciate new features like Highly Visible Position Indicator, Dual Stab Busway Interlocks, Dual Cover Interlocks, and Bolt-on Mounting.

Sentron SLVB Fusible Bus Plugs are available in 30, 60, 100, 200, 400 and 600 amp ratings (compatible with H, R, T, K and J fuses).



### Standard Fusible, Bus Plug Ratings

Plug-In Units Series	Max. Rating Fused Switch	Fuse Class	Fuse Kits		Max. Short Circuit Current Rating
			R Fuse Kits	T Fuse Kits	
SLVB_21	30A, 240V	H, K, R	SLR2030	—	200kA, 240V, 3ph
SLVB_61	30A, 600V	H, K, R, J	SLR6030	—	200kA, 600V, 3ph
SLVB_22	60A, 240V	H, K, R	SLR2060	—	200kA, 240V, 3ph
SLVB_62	60A, 600V	H, K, R, J	SLR6060	—	200kA, 600V, 3ph
SLVB_23	100A, 240V	H, K, R, J, T	SLR2100	SLT2100	200kA, 240V, 3ph
SLVB_63	100A, 600V	H, K, R, J, T	SLR6100	SLT6100	200kA, 600V, 3ph
SLVB_24	200A, 240V	H, K, R, J, T	SLR2200	SLT2200	200kA, 240V, 3ph
SLVB_64	200A, 600V	H, K, R, J, T	SLR6200	SLT6200	200kA, 600V, 3ph
SLVB_25	400A, 240V	H, K, R, J, T	SLR2400	SLT2400	200kA, 240V, 3ph
SLVB_65	400A, 600V	H, K, R, J, T	SLR6400	SLT6400	200kA, 600V, 3ph
SLVB_26	600A, 240V	H, K, R, J, T	SLR2600	SLT2600	200kA, 240V, 3ph
SLVB_66	600A, 600V	H, K, R, J, T	SLR6600	SLT6600	200kA, 600V, 3ph

### Standard Fusible, Bus Plug Horsepower Ratings

Plug-In Units Series	Fused Switch Max. Rating	240V, 1 ph		240V, 3 ph		480V, 3 ph		600V, 3 ph	
		Std.	Max.	Std.	Max.	Std.	Max.	Std.	Max.
SLVB_21	30A, 240V	1.5	3.0	3.0	7.5	—	—	—	—
SLVB_61	30A, 600V	—	—	—	—	5.0	15.0	7.5	20.0
SLVB_22	60A, 240V	3.0	10.0	7.5	15.0	—	—	—	—
SLVB_62	60A, 600V	—	—	—	—	15.0	30.0	15.0	50.0
SLVB_23	100A, 240V	7.5	15.0	15.0	30.0	—	—	—	—
SLVB_63	100A, 600V	—	—	—	—	25.0	60.0	30.0	75.0
SLVB_24	200A, 240V	15.0	—	25.0	60.0	—	—	—	—
SLVB_64	200A, 600V	—	—	—	—	50.0	125.0	60.0	150.0
SLVB_25	400A, 240V	15.0	—	50.0	125.0	—	—	—	—
SLVB_65	400A, 600V	—	—	—	—	100.0	250.0	125.0	350.0
SLVB_26	600A, 240V	15.0	—	75.0	200.0	—	—	—	—
SLVB_66	600A, 600V	—	—	—	—	150.0	400.0	200.0	500.0

# Sentron® SLVB Bus Plugs

## Bus Plugs / Fusible Plugs

Selection

Ampere Rating	Catalogue Number
---------------	------------------

### 3-Pole, 250 Volt<sup>①</sup>

30A	SLVB*3210 SLVB*3210G SLVB*3210IG
60A	SLVB*3220 SLVB*3220G SLVB*3220IG
100A	SLVB*3230 SLVB*3230G SLVB*3230IG
200A	SLVB*3240 SLVB*3240G SLVB*3240IG
400A <sup>②</sup>	SLVB*3250 SLVB*3250G SLVB*3250IG
600A <sup>②</sup>	SLVB*3260 SLVB*3260G SLVB*3260IG

Ampere Rating	Catalogue Number
---------------	------------------

### 3-Pole, 600 Volt<sup>①</sup>

30A	SLVB*3610 SLVB*3610G SLVB*3610IG
60A	SLVB*3620 SLVB*3620G SLVB*3620IG
100A	SLVB*3630 SLVB*3630G SLVB*3630IG
200A	SLVB*3640 SLVB*3640G SLVB*3640IG
400A <sup>②</sup>	SLVB*3650 SLVB*3650G SLVB*3650IG
600A <sup>②</sup>	SLVB*3660 SLVB*3660G SLVB*3660IG

Ampere Rating	Catalogue Number	Catalogue Number
---------------	------------------	------------------

### 4-Pole, 250 Volt<sup>①</sup>

### 200% Neutral<sup>①</sup>

30A	SLVB*4210 SLVB*4210G SLVB*4210IG	SLVB*5210 SLVB*5210G SLVB*5210IG
60A	SLVB*4220 SLVB*4220G SLVB*4220IG	SLVB*5220 SLVB*5220G SLVB*5220IG
100A	SLVB*4230 SLVB*4230G SLVB*4230IG	SLVB*5230 SLVB*5230G SLVB*5230IG
200A	SLVB*4240 SLVB*4240G SLVB*4240IG	SLVB*5240 SLVB*5240G SLVB*5240IG
400A <sup>②</sup>	SLVB*4250 SLVB*4250G SLVB*4250IG	SLVB*5250 SLVB*5250G SLVB*5250IG
600A <sup>②</sup>	SLVB*4260 SLVB*4260G SLVB*4260IG	

Ampere Rating	Catalogue Number	Catalogue Number
---------------	------------------	------------------

### 4-Pole, 600 Volt<sup>①</sup>

### 200% Neutral<sup>①</sup>

30A	SLVB*4610 SLVB*4610G SLVB*4610IG	SLVB*5610 SLVB*5610G SLVB*5610IG
60A	SLVB*4620 SLVB*4620G SLVB*4620IG	SLVB*5620 SLVB*5620G SLVB*5620IG
100A	SLVB*4630 SLVB*4630G SLVB*4630IG	SLVB*5630 SLVB*5630G SLVB*5630IG
200A	SLVB*4640 SLVB*4640G SLVB*4640IG	SLVB*5640 SLVB*5640G SLVB*5640IG
400A <sup>②</sup>	SLVB*4650 SLVB*4650G SLVB*4650IG	SLVB*5650 SLVB*5650G SLVB*5650IG
600A <sup>②</sup>	SLVB*4660 SLVB*4660G SLVB*4660IG	

Note: Replace \* in catalog number with "H" for horizontal applications and "R" for riser applications.

## Ground Detector And Potentializer Plug

Description	Catalogue Number
For 2 or 3-pole 240 and 480 volt service.	SLPGR3140G

Note: Available in IP40 construction only.

Description	Catalogue Number
Spring Kit	SXSK

Note: Used on 400A and larger bus plugs that require auxiliary support and that are mounted on vertical/riser busway. Kit contains two springs (part number 32-9909-04). One kit required per bus plug. Spring kits are automatically included when 400A and larger bus plug is selected.

## Fuse Adapter Kits

Switch Rating	Std Fuse Class	Class R Catalogue Number	Class T Catalogue Number	Class J Catalogue Number
---------------	----------------	--------------------------	--------------------------	--------------------------

### 250V

30A <sup>③</sup>	H, K	SLR2030		
60A <sup>③</sup>	H, K	SLR2060		
100A <sup>③</sup>	H, K	SLR2100	SLT2100	
200A <sup>③</sup>	H, K	SLR2200	SLT2200	
400A <sup>②</sup>	H, K, J	SLR2400	SLT2400	
600A <sup>②</sup>	H, K, J	SLR2600	SLT2600	SLJ2600

### 600V

30A <sup>③</sup>	H, K, J	SLR6030		
60A <sup>③</sup>	H, K, J	SLR6060		
100A <sup>③</sup>	H, K, J	SLR6100	SLT6100	
200A <sup>③</sup>	H, K, J	SLR6200	SLT6200	
400A <sup>②</sup>	H, K, J	SLR6400	SLT6400	
600A <sup>②</sup>	H, K, J	SLR6600	SLT6600	SLJ6600

① All plugs shown are rated IP40; if IP55 rating is desired, substitute a "4" for "0" in position 8.

② 400A and larger bus plugs require auxiliary support. See also SXSK Spring Kit.

③ Fuse kits per page 3-21, General and Heavy Duty Safety Switch Accessories.

# Sentron® Bus Plugs

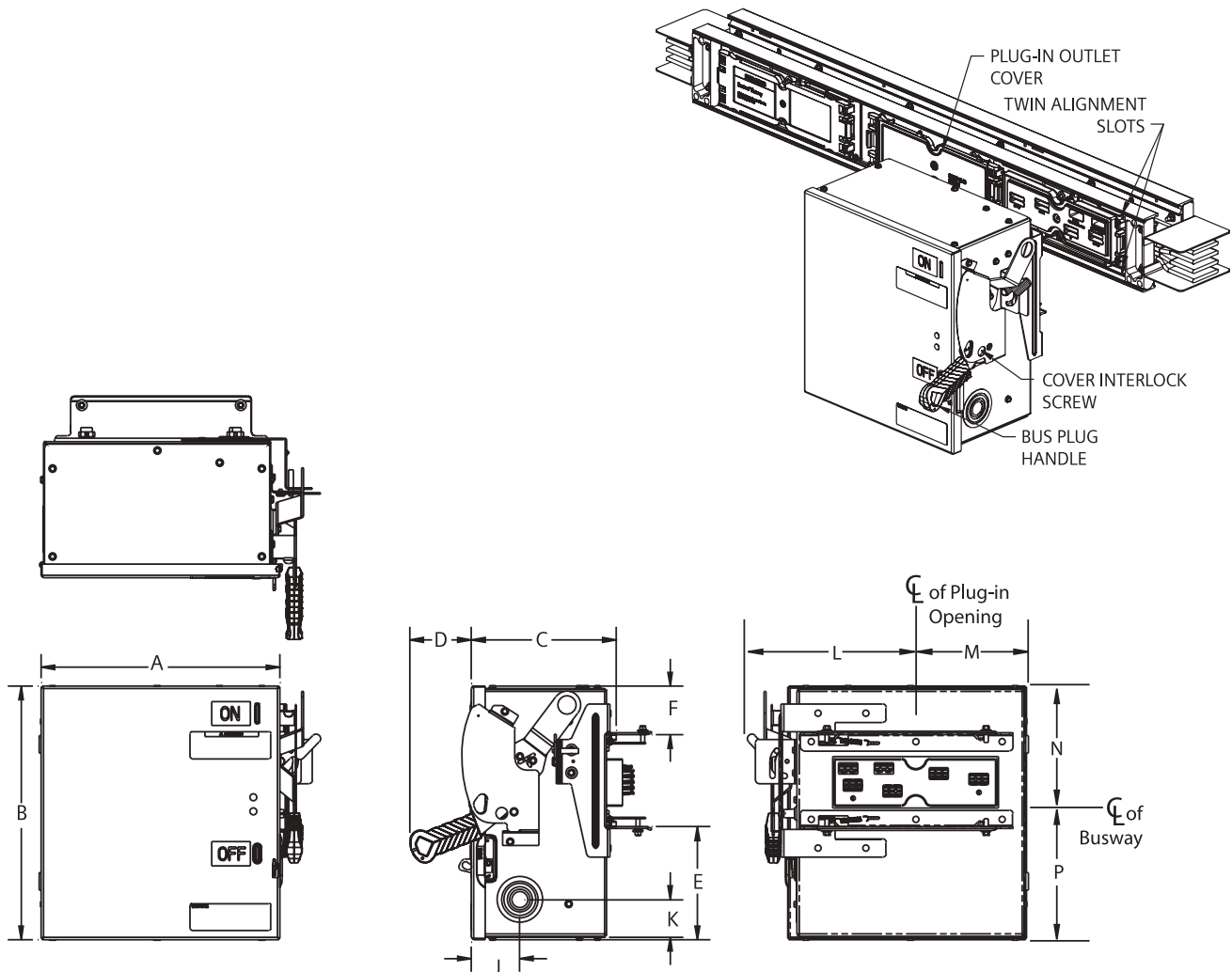
## Fusible Bus Plugs Dimensions and Weights

*Selection*

### Horizontal Fusible Bus Plug Dimensions and Weights (Enclosure Only)

Ampere Rating	Dimensions Inches (mm)												Weight lbs (kg)
	"A"	"B"	"C"	"D max."	"E"	"F"	"J"	"K"	"L"	"M"	"N"	"P"	
30	13.13 (333)	13.86 (352)	7.96 (202)	2.60 (66)	6.18 (156)	2.66 (67)	2.65 (67)	2.06 (52)	9.81 (249)	6.22 (157)	5.30 (134)	8.63 (219)	23.5 (10.66)
60	13.13 (333)	14.86 (377)	7.96 (202)	2.60 (66)	7.18 (182)	2.66 (67)	2.65 (67)	2.06 (52)	9.81 (249)	6.22 (157)	5.30 (134)	9.63 (244)	25.5 (11.56)
100	13.13 (333)	15.86 (402)	7.96 (202)	2.60 (66)	8.18 (207)	2.66 (67)	2.65 (67)	2.06 (52)	9.81 (249)	6.22 (157)	5.30 (134)	10.53 (267)	28.0 (12.70)
200	14.88 (377)	22.86 (580)	10.58 (268)	2.60 (66)	15.88 (403)	2.66 (67)	3.40 (86)	3.06 (78)	9.81 (249)	7.95 (201)	5.27 (134)	17.59 (447)	49.0 (22.22)
400	18.63 (473)	25.48 (647)	15.67 (398)	5.50 (140)	12.67 (322)	7.67 (195)	12.15 (309)	3.06 (78)	11.80 (299)	9.43 (239)	11.91 (303)	15.14 (385)	100.0 (254)
600	18.63 (473)	25.48 (647)	15.67 (398)	5.50 (140)	12.67 (322)	7.67 (195)	12.15 (309)	3.06 (78)	11.80 (299)	9.43 (239)	11.91 (303)	15.14 (385)	100.0 (254)

13  
BUSWAY  
SYSTEMS



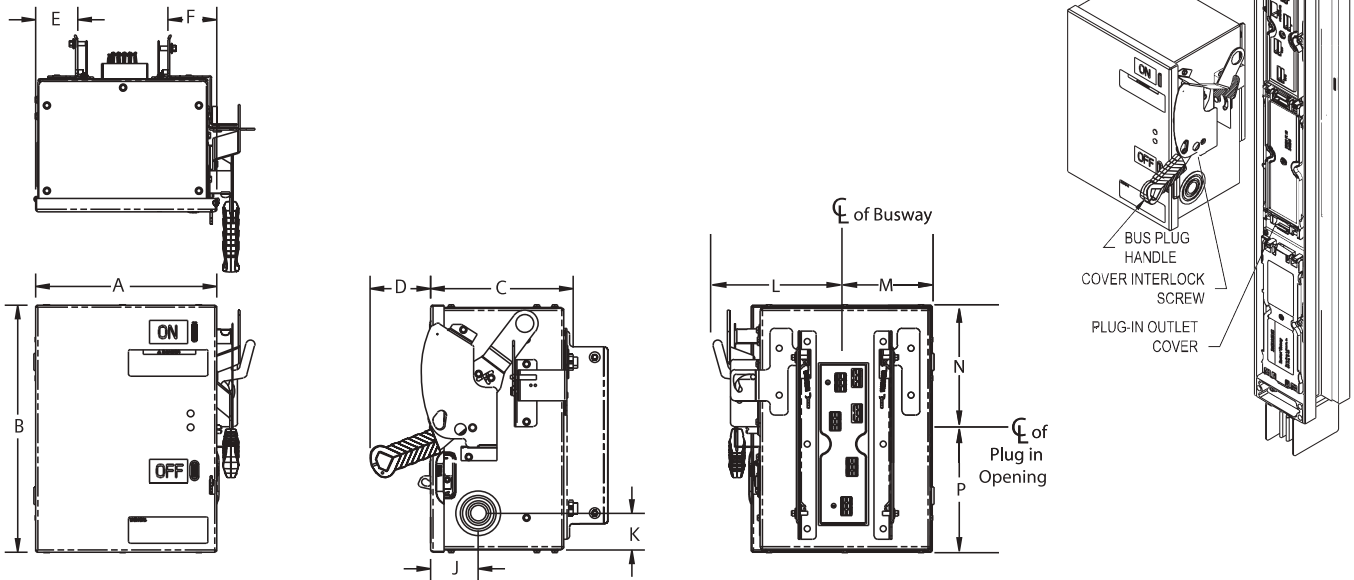
# Sentron® Bus Plugs

## Fusible Bus Plugs Dimensions and Weights

*Selection*

### Riser Fusible Bus Plug Dimensions and Weights (Enclosure Only)

Ampere Rating	Dimensions Inches (mm)												Weight lbs (kg)
	"A"	"B"	"C"	"D max."	"E"	"F"	"J"	"K"	"L"	"M"	"N"	"P"	
30	10.13 (257)	13.86 (352)	7.96 (202)	5.25 (133)	2.74 (69)	2.36 (59)	2.65 (67)	2.06 (52)	8.06 (204)	5.08 (129)	7.8 (198)	6.06 (154)	23.5 (10.66)
60	10.13 (257)	14.86 (377)	7.96 (202)	5.25 (133)	2.74 (69)	2.36 (59)	2.65 (67)	2.06 (52)	8.06 (204)	2.08 (52)	7.8 (198)	7.06 (179)	25.5 (11.56)
100	11.13 (282)	15.86 (402)	7.96 (202)	5.25 (133)	7.74 (196)	3.36 (85)	2.65 (67)	2.06 (52)	8.06 (204)	6.08 (154)	7.8 (198)	8.06 (205)	28.0 (12.70)
200	14.88 (377)	22.86 (580)	10.58 (268)	5.90 (149)	5.11 (129)	4.74 (120)	3.40 (86)	3.06 (78)	10.42 (264)	7.35 (186)	9.05 (230)	13.81 (351)	49.0 (22.22)
400	18.63 (473)	25.48 (647)	15.67 (398)	5.50 (140)	6.60 (167)	7.10 (180)	12.15 (309)	3.06 (78)	11.97 (304)	9.25 (234)	13.56 (344)	13.49 (342)	100.0 (2540)
600	18.63 (473)	25.48 (647)	15.67 (398)	5.50 (140)	6.60 (167)	7.10 (180)	12.15 (309)	3.06 (78)	11.97 (304)	9.25 (234)	13.56 (344)	13.49 (342)	100.0 (2540)



### Fusible Switch Plug, Load Lugs, and Knockouts

Ampere Rating	Ground Lug Cu/Al	Neutral Lug Cu/Al	Phase Lug Cu/Al	Knockout Sizes Inches (mm)
30	#14-1/0	#14-2	#14-2	7/8 (22)
60	#14-1/0	#14-1/0	#14-2	7/8 (22)
100	#14-1/0	#14-1/0	#14-1/0	7/8 (22)
200	#14-1/0	#6-300MCM	#6-300MCM	7/8 (22)
400	(2)#6-350MCM	(2) 1/0-250MCM or (1) 1/0-750MCM	(2) 1/0-250MCM or (1) 1/0-750MCM	7/8 (22)
600	(2)#6-350MCM	(4) 1/0-250MCM or (2) 1/0-750MCM	(4) 1/0-250MCM or (2) 1/0-750MCM	7/8 (22)

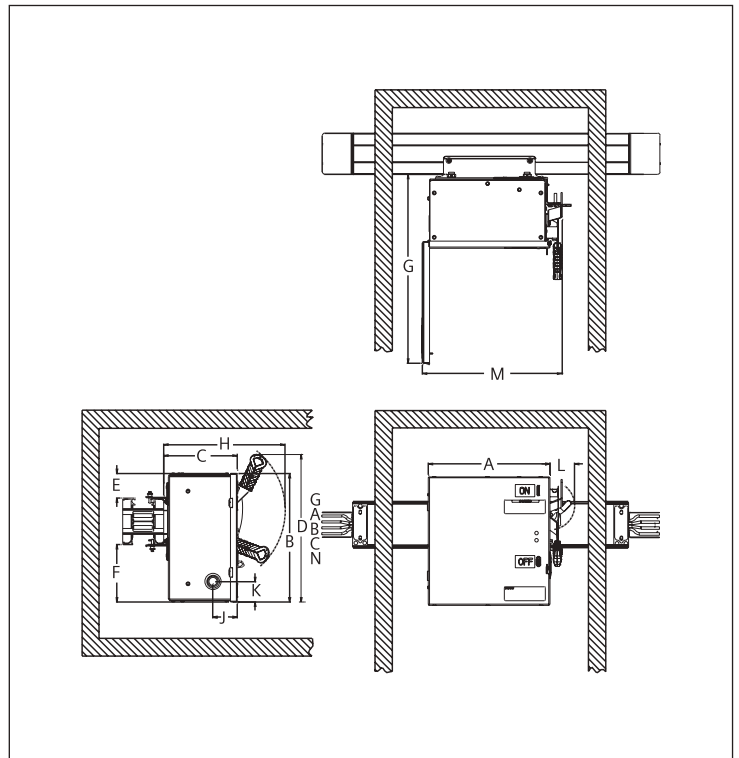
# Sentron® Bus Plugs

## Wall Clearance and Fusible Bus Plug Dimensions

Dimensions

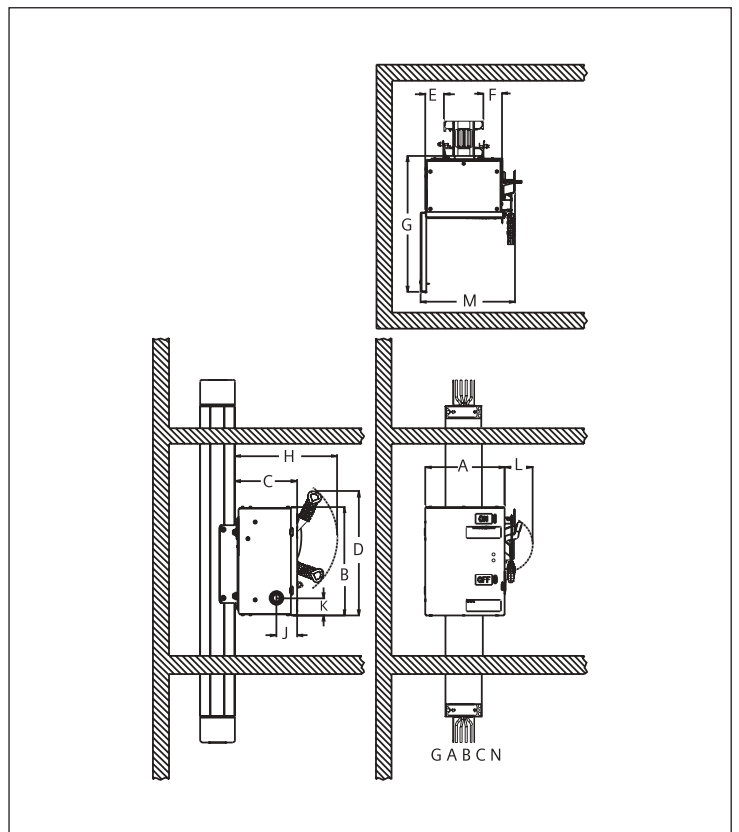
### Wall Clearance and Bus Plug Dimensions Horizontal (Inches/mm)

Dim.	No Cradle					
	30	60	100	200	400	600
A	13.13 (333)	13.13 (333)	13.13 (333)	14.88 (377)	18.63 (473)	18.63 (473)
B	13.86 (352)	14.86 (377)	15.86 (402)	22.86 (580)	27.00 (686)	27.00 (686)
C	7.96 (202)	7.96 (202)	7.96 (202)	10.58 (268)	15.67 (398)	15.67 (398)
D	15.89 (403)	16.68 (423)	17.68 (449)	24.66 (626)	20.00 (508)	20.00 (508)
E	6.19 (157)	7.19 (182)	8.19 (208)	15.19 (385)	12.67 (322)	12.67 (322)
F	2.67 (67)	2.67 (67)	2.67 (67)	2.67 (67)	7.67 (195)	7.67 (195)
G	20.39 (517)	20.39 (517)	20.39 (517)	24.76 (628)	33.75 (857)	33.75 (857)
H	13.09 (332)	13.09 (332)	13.09 (332)	16.55 (420)	21.17 (538)	21.17 (538)
J	2.65 (67)	2.65 (67)	2.65 (67)	3.40 (86)	12.15 (309)	12.15 (309)
K	2.06 (52)	2.06 (52)	2.06 (52)	3.06 (78)	3.06 (78)	3.06 (78)
L	2.65 (67)	2.65 (67)	2.65 (67)	2.65 (67)	2.65 (67)	2.65 (67)
M	15.07 (382)	15.07 (382)	15.07 (382)	16.82 (427)	21.00 (533)	21.00 (533)



### Wall Clearance and Bus Plug Dimensions Riser (Inches/mm)

Dim.	No Cradle					
	30	60	100	200	400	600
A	10.13 (237)	10.13 (257)	11.13 (282)	14.68 (372)	18.63 (473)	18.63 (473)
B	13.86 (352)	14.86 (377)	15.86 (402)	22.86 (580)	27.00 (686)	27.00 (686)
C	7.96 (202)	7.96 (202)	7.96 (202)	10.58 (268)	15.67 (398)	15.67 (398)
D	15.89 (403)	16.68 (423)	17.68 (449)	24.66 (626)	20.00 (508)	20.00 (508)
E	2.74 (69)	2.74 (69)	7.74 (196)	5.11 (129)	6.60 (167)	6.60 (167)
F	2.36 (59)	2.36 (59)	3.36 (85)	4.74 (120)	7.10 (180)	7.10 (180)
G	17.39 (441)	17.39 (441)	18.39 (467)	24.76 (628)	33.75 (857)	33.75 (857)
H	13.09 (332)	13.09 (332)	13.09 (332)	16.55 (420)	21.17 (538)	21.17 (538)
J	2.65 (67)	2.65 (67)	2.65 (67)	3.40 (86)	12.15 (309)	12.15 (309)
K	2.06 (52)	2.06 (52)	2.06 (52)	3.06 (78)	3.06 (78)	3.06 (78)
L	3.55 (90)	3.55 (90)	3.55 (90)	3.55 (90)	2.65 (67)	2.65 (67)
M	12.07 (306)	12.07 (306)	13.07 (331)	16.82 (427)	21.00 (533)	21.00 (533)



### The Siemens advantage...

Siemens history of innovation and safety continues with our line of UL 1449 4th Edition SPD's. The TPS Series utilizes thermally protected MOV's specifically designed for safe operation in high fault current or sustained overvoltage conditions that can cause other SPD's to fail in an unsafe manner and damage other equipment in the distribution system. Every MOV, including N-G, is monitored. Indicator lights for each phase provide indication of loss of protection and phase loss protection. The direct bus, integral design reduces circuit impedance resulting in the lowest possible let-through voltages providing maximum protection to facility equipment and systems.

#### All TPS Series SPD's:

- UL 1449 4th Edition Listed, CUL, CE Mark
- Designed, tested, manufactured to ANSI/IEEE C62.42.1 – 2002, C62.41.2 – 2002, C62.45 – 2002
- Provide indication of loss of protection on each phase and phase loss
- Include all UL-required over current protection and safety coordination inside
- Prevent internally generated surges from propagating throughout a facility and externally generated surges from reaching sensitive loads

#### Low Exposure Applications - TPS9

- 100kA per phase
- 200kA SCCR
- 20kA nominal discharge current
- Indicator lights standard
- Individually fused, thermally protected MOV's
- Dry contacts and audible alarm optional

#### Medium Exposure Applications - TPS1

- 100kA – 300kA per phase
- 200kA SCCR
- 20kA nominal discharge current
- Indicator lights, audible alarm and dry contacts standard
- Individually fused, thermally protected MOV's
- EMI/RFI filtering
- Surge counter optional

#### High Exposure Applications - TPS6

- 400kA – 500kA per phase
- 200kA SCCR
- 20kA nominal discharge current
- Indicator lights, audible alarm and dry contacts standard
- Individually fused, thermally protected MOV's
- EMI/RFI filtering
- Surge counter optional



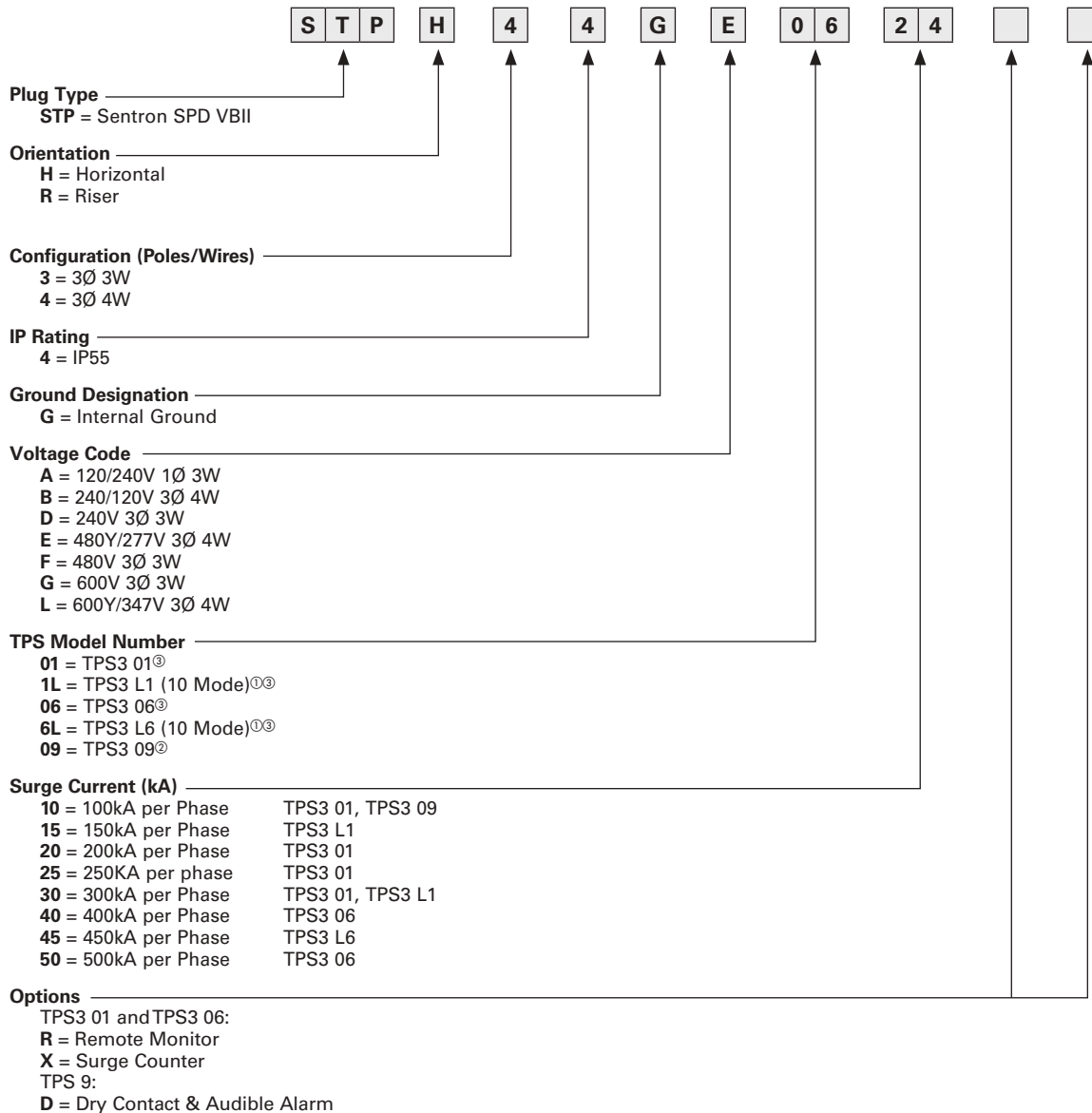


# Sentron® SLVB Bus Plugs

## Sentron SPD Bus Plugs

Catalog Number Logic

### Sentron SPD Bus Plug Numbering System



**Notes:**

① The 10 mode devices provide additional circuit protection for Line to Neutral and Neutral to Ground. The 10 modes of protection are:

L1-G, L2-G, L3-G, L1-L2, L2-L3, L1-L3, L1-N, L2-N, L3-N, N-G.

② Standard features: indicator lights.

③ Standard features: indicator lights, dry contacts, audible alarm with silence switch, test button.

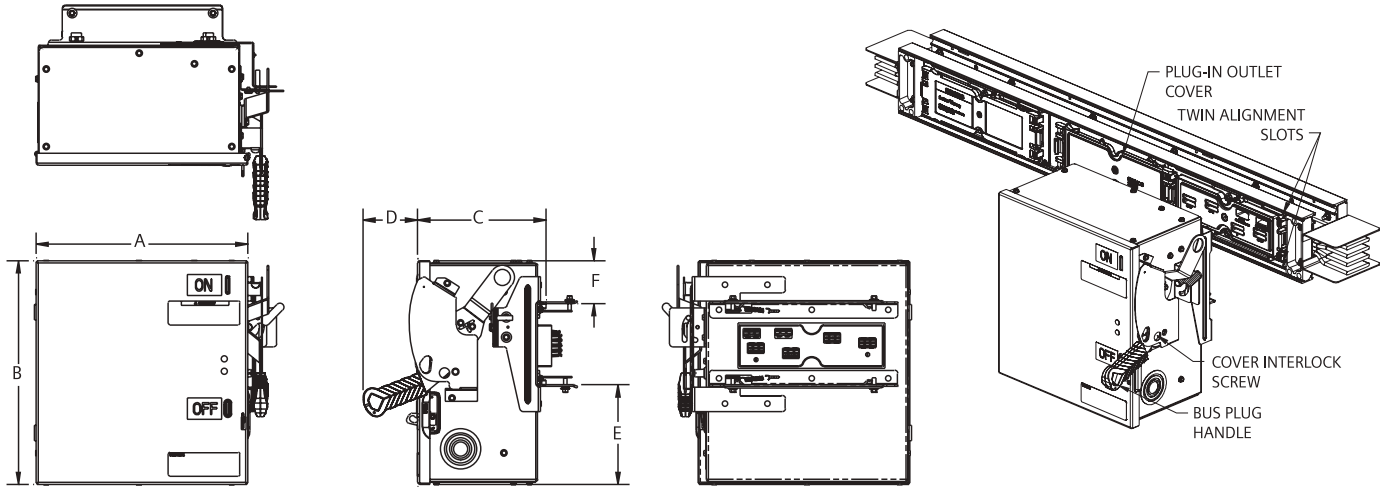
# Sentron® Bus Plugs

## Sentron SPD Bus Plugs

Technical

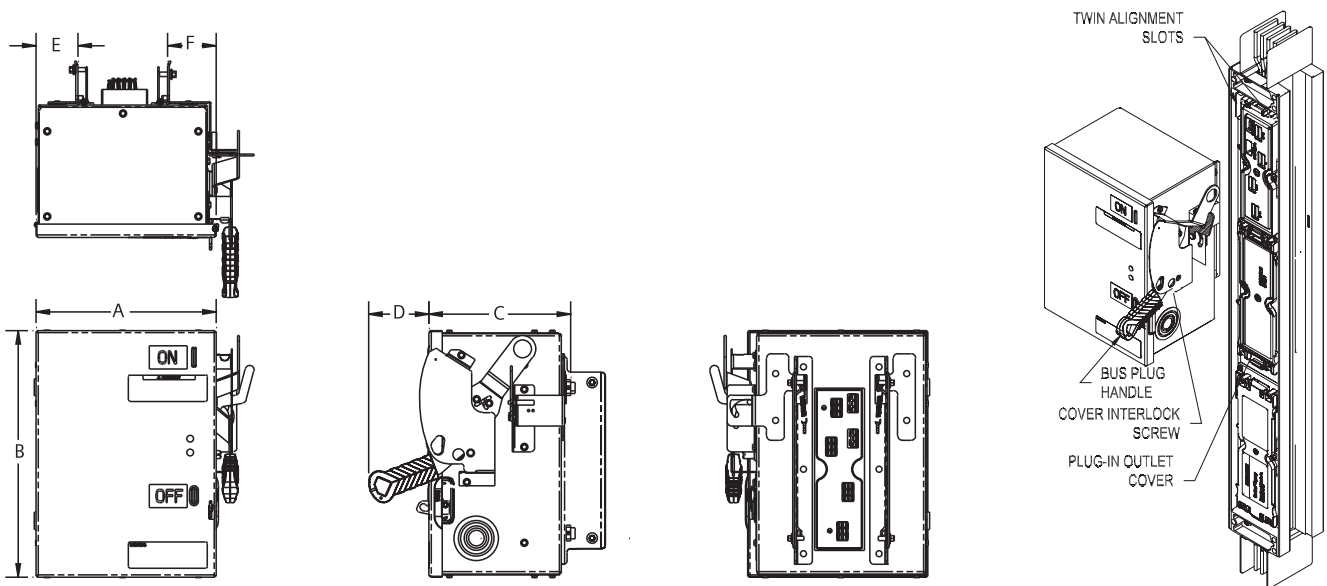
### Horizontal SPD bus plugs dimensions and weights

Plug type	Dimensions inches (mm)						Weight lbs. (kgs)
	"A"	"B"	"C"	"D" max.	"E"	"F"	
TPS 9	13.25 (336)	13.86 (352)	7.96 (202)	2.60 (66)	6.18 (156)	2.66 (67)	30 (13.63)
TPS 1	13.25 (336)	15.86 (402)	7.96 (202)	2.60 (66)	8.18 (207)	2.66 (67)	35 (15.90)
TPS 6	13.25 (336)	19.86 (504)	7.96 (202)	2.60 (66)	12.18 (372)	2.66 (67)	38 (17.27)



### Riser SPD bus plugs dimensions and weights

Plug type	Dimensions inches (mm)						Weight lbs. (kgs)
	"A"	"B"	"C"	"D" max.	"E"	"F"	
TPS 9	10.25 (260)	13.86 (352)	7.96 (202)	5.25 (133)	2.74 (69)	2.36 (59)	25 (11.36)
TPS 1	11.25 (286)	19.36 (492)	7.96 (202)	5.25 (133)	7.74 (196)	3.36 (85)	35 (15.90)
TPS 6	15.00 (381)	22.86 (580)	10.58 (268)	5.25 (133)	5.11 (129)	4.74 (120)	45 (20.45)



# Sentron® Bus Plugs

## Sentron 3/6 Bus Plugs

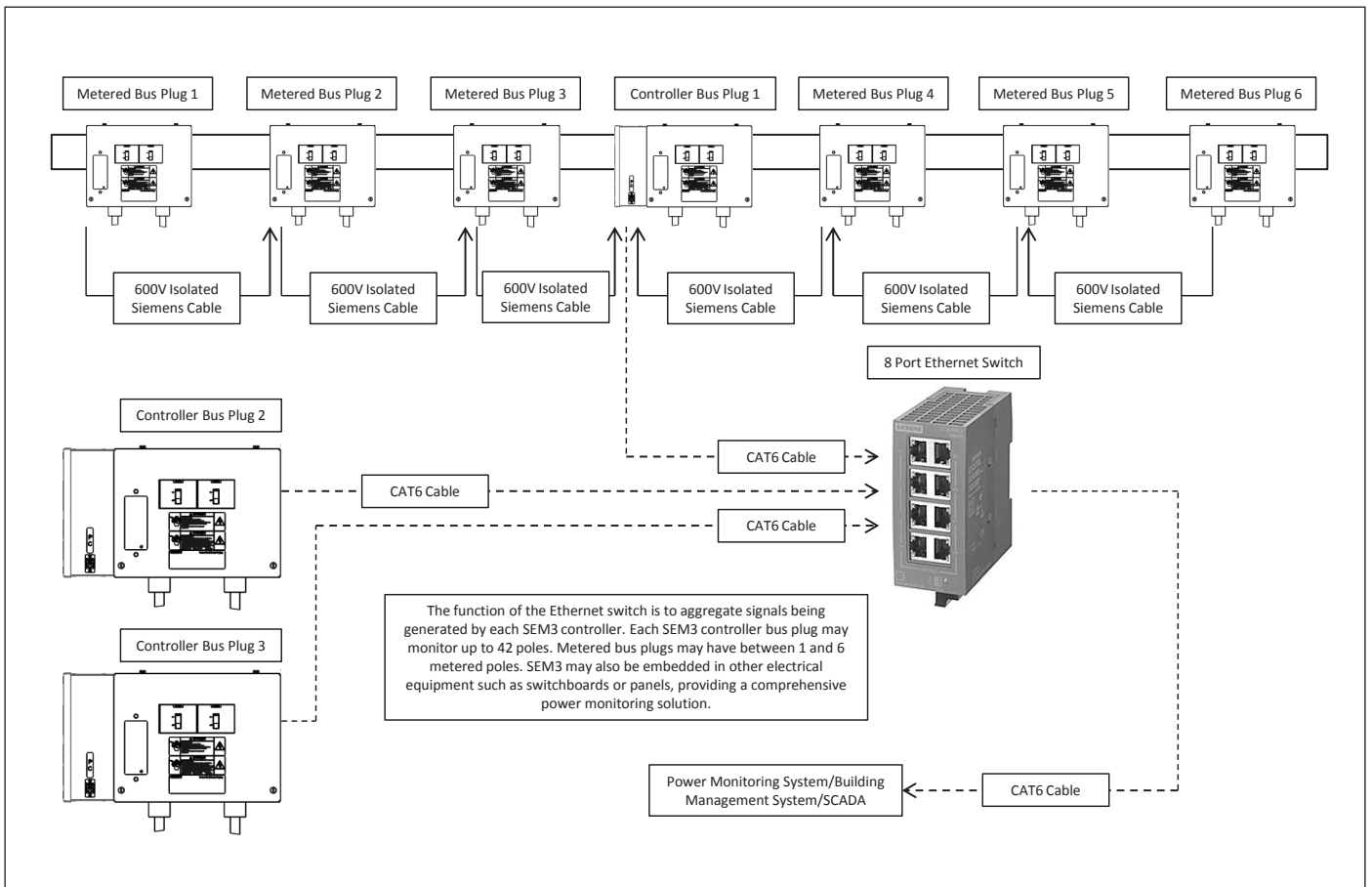
Technical

### Product Overview

The Sentron 3/6 bus plug is designed for light industrial, commercial, and data center applications. Factory installed receptacles range from 10 to 100A per pole, and the bus plug allows for anywhere between 1 and 6 poles of distribution (i.e. two 3Ø receptacles per plug). This product combines plug-and-play capabilities, minimizing installation time and cost, with the option for preconfigured embedded branch circuit metering utilizing SEM3™.

### Product Application

Building your metered network of Sentron 3/6 bus plugs is easy. There are two variations of metered bus plugs, simple meter plugs (child) and controller plugs (parent). Each SEM3™ controller can monitor 42 bus plug poles. Depending on the number of metered poles per bus plug in the network, one parent controller plug can monitor between 6 to 41 bus plugs. An example showing a network of seven 6-pole bus plugs is shown below (in this case there is one controller and six metered plugs). Upstream of the controller, outputs from multiple controller plugs may be consolidated at an Ethernet switch (shown below) or integrated directly into a building or site management system.



# Sentron® Bus Plugs

## Catalogue Numbering System

*Selection / Application*

Sentron 3/6 Bus Plugs—Circuit Breaker (Installed)

**B P S A 1 A 0 A 1 A 0 0 N N**

**Prefix**

BP = Bus Plug

**Type**

S = Sentron

**Enclosure**

A = 13 x 10in (60A max branch, corded receptacle)  
 C = 13 x 14in (60A max branch, flush mount receptacle)  
 D = 13 x 14in (100A max branch, any receptacle)

**System Configuration**

1 = 3Ø  
 2 = 3Ø + Internal Grd  
 3 = 3Ø + Isolated Grd  
 5 = 3Ø + Neutral  
 6 = 3Ø + Neutral + Internal Grd  
 7 = 3Ø + Neutral + Isolated Grd  
 9 = 3Ø + 200% Neutral  
 0 = 3Ø + 200% Neutral + Internal Grd  
 Z = 3Ø + 200%

**Color**

A = Graphite  
 G = ANSI 61  
 X = Other

**Connection Type**

0 = Enclosure Only  
 1 = Breaker Only  
 2 = Flush Mount Receptacle  
 3 = 3ft Corded Connector  
 4 = 5ft Corded Connector  
 5 = 7ft Corded Connector  
 6 = 10ft Corded Connector  
 7 = Custom

**Number of Circuits and Phasing**

A1-D4

**Breaker Frame**

A = BL  
 B = BLH  
 C = HBL  
 D = BQD  
 E = NGB

**Device Amps**

00 = No Breaker  
 9A = 10A      9H = 45A  
 9B = 15A      9J = 50A  
 9C = 20A      9K = 60A  
 9D = 25A      9L = 70A  
 9E = 30A      9M = 80A  
 9F = 35A      9N = 90A  
 9G = 40A      9P = 100A

**Metering System**

N = None  
 C = SEM3 Controller  
 M = SEM3 Meter Only

**Meter Type**

N = None  
 G = 3 Meter Rack, Low Accuracy Meters  
 H = 3 Meter Rack, High Accuracy Meters  
 X = 6 Meter Rack, Low Accuracy Meters  
 Y = 6 Meter Rack, High Accuracy Meters

# Sentron® Bus Plugs

## Sentron 3/6 Bus Plugs

Technical

### Product Configurations

#### Field Wire-able Bus Plug

- Enclosure height of 14.20"
- Customer supplied receptacle or corded connector
- Stocking program for specific variants

#### Non-Metered Bus Plug

- Standard enclosure height of 10.18" at 60A (per pole) and below
- Enclosure height of 14.20" for all surface mounted receptacle variants
- Factory installed corded or surface mount receptacles/connectors

#### Metered Bus Plug

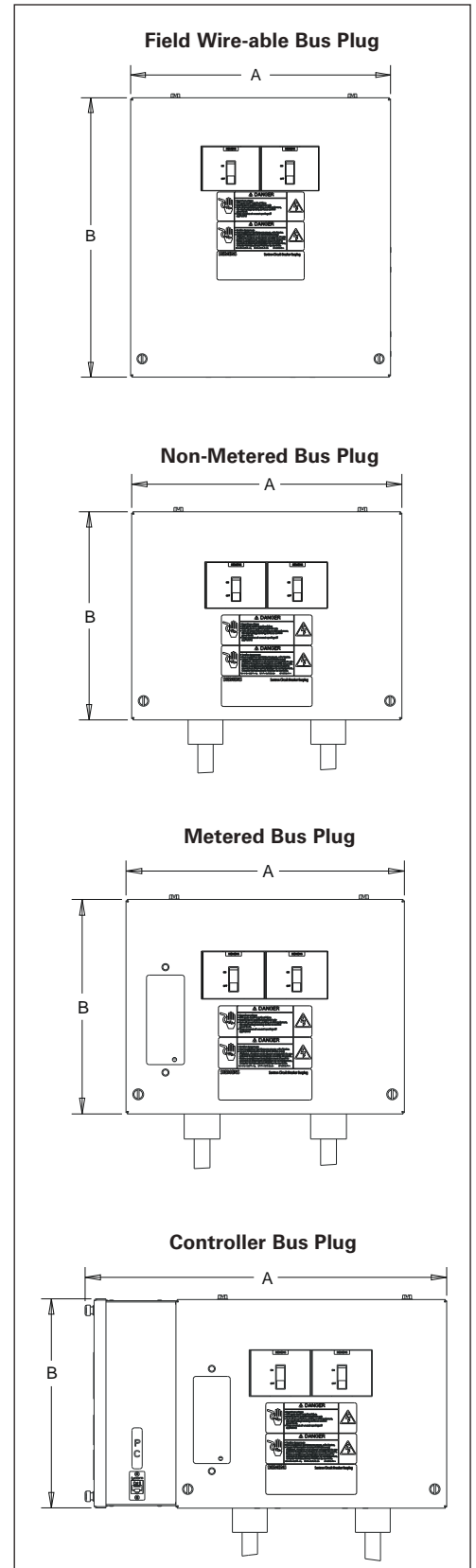
- Standard enclosure height of 10.18" at 60A (per pole) and below
- Enclosure height of 14.20" for all surface mounted receptacle variants
- Factory installed corded or surface mount receptacles/connectors
- Preconfigured SEM3 meter rack (slave)

#### Controller Bus Plug

- Standard enclosure height of 10.18" at 60A (per pole) and below
- Enclosure height of 14.20" for all surface mounted receptacle variants
- Factory installed corded or surface mount receptacles/connectors
- Preconfigured SEM3 meter rack and controller (master)

### Product Configurations

<b>Circuit</b>	<ul style="list-style-type: none"> <li>• 1-6 poles of distribution</li> <li>• 10-100A per pole</li> <li>• 100 and 200% neutral options</li> </ul>
<b>Siemens Breaker Frames</b>	BL, BLH, HBL, BQD, NGB
<b>Load Connection</b>	<ul style="list-style-type: none"> <li>• Field wired (with KO's), no receptacles</li> <li>• Surface or flush mount receptacles</li> <li>• Corded Connector(s) or receptacle(s) at 3, 5, 7, or 10 ft</li> </ul>
<b>Branch Circuit Metering (SEM3™)</b>	<ul style="list-style-type: none"> <li>• Meter only lug or meter and controller plug</li> <li>• 3 and 6 meter racks available</li> <li>• Low (1%) and high (.2%) accuracy meters available</li> </ul>



# Sentron® Bus Plugs

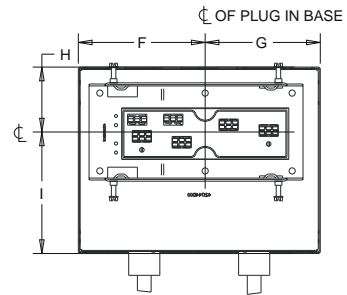
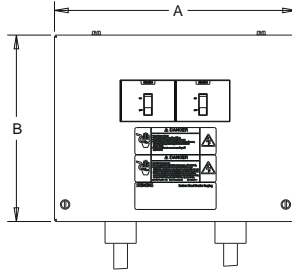
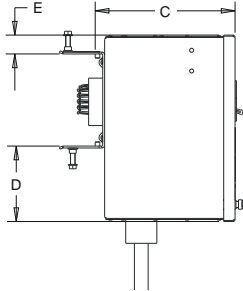
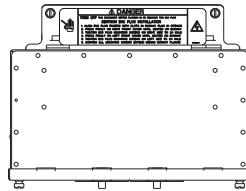
## Sentron 3/6 Bus Plugs

*Technical*

### Corded Bus Plug (Non-Metered and Metered) Dimensions and Weights

Ampere Rating	Dimensions inches (mm)									Weight lbs. (kgs)*
	"A"	"B"	"C"	"D"	"E"	"F"	"G"	"H"	"I"	
10-60A	13.21 (336)	10.18 (259)	7.64 (194)	4.12 (105)	1.03 (26)	6.93 (176)	6.29 (160)	3.55 (90)	6.64 (169)	21 (9.52)
70-100A	13.21 (336)	14.20 (361)	7.64 (194)	8.12 (206)	1.03 (26)	6.93 (176)	6.29 (160)	3.55 (90)	10.64 (270)	23 (10.43)

\*Approximate weight without cord of heaviest plug in amperage range.



### Corded Bus Plug (Controller) Dimensions and Weights

Ampere Rating	Dimensions inches (mm)									Weight lbs. (kgs)*
	"A"	"B"	"C"	"D"	"E"	"F"	"G"	"H"	"I"	
10-60A	17.64 (448)	10.20 (259)	7.64 (194)	4.12 (105)	1.03 (26)	6.93 (176)	10.71 (272)	3.55 (90)	6.64 (169)	29 (13.15)
70-100A	17.64 (448)	14.20 (361)	7.64 (194)	8.12 (206)	1.03 (26)	6.93 (176)	10.71 (272)	3.55 (90)	10.64 (270)	31 (14.06)

\*Approximate weight without cord of heaviest plug in amperage range.

# Sentron® Bus Plugs

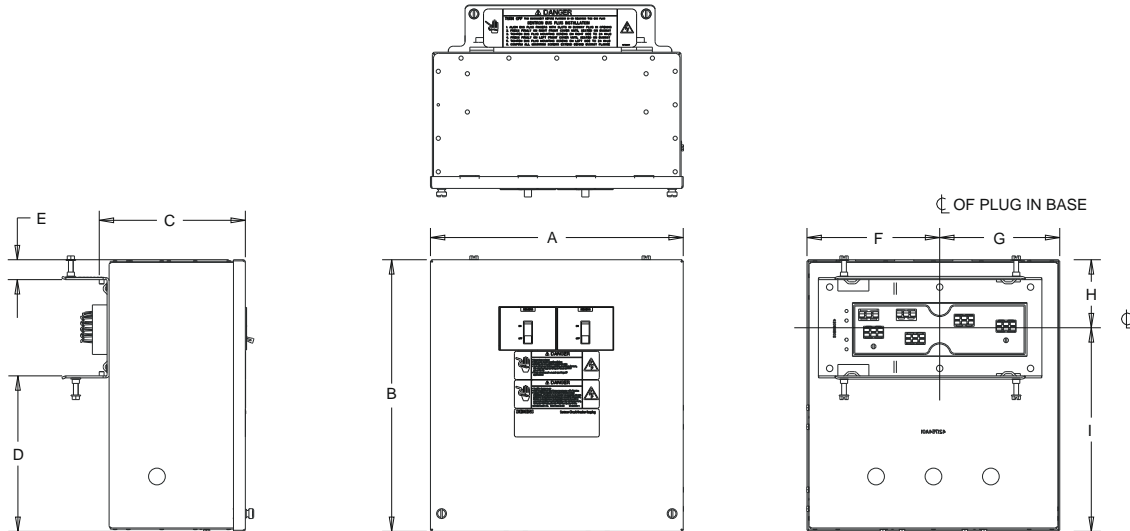
## Sentron 3/6 Bus Plugs

Technical

### Surface Mount Receptacle Bus Plug (Non-Metered and Metered) Dimensions and Weights

Ampere Rating	Dimensions inches (mm)									Weight lbs. (kgs)*
	"A"	"B"	"C"	"D"	"E"	"F"	"G"	"H"	"I"	
10-100A	13.21 (336)	14.20 (361)	7.64 (194)	8.12 (206)	1.03 (26)	6.93 (176)	6.29 (160)	3.55 (90)	10.64 (270)	23 (10.43)

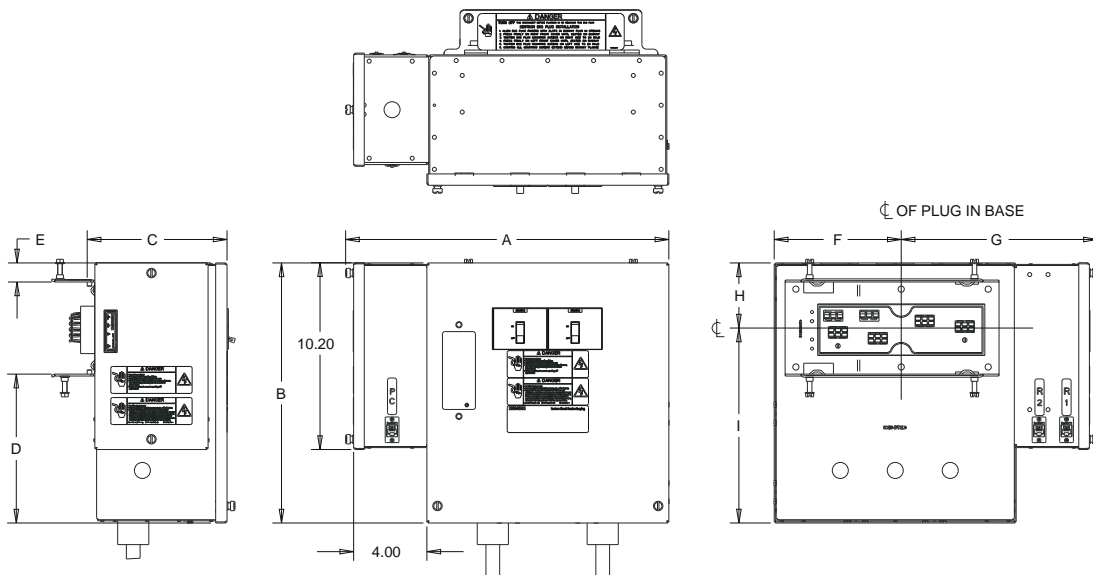
\*Approximate weight without cord of heaviest plug in amperage range.



### Surface Mount Receptacle Bus Plug (Controller) Dimensions and Weights

Ampere Rating	Dimensions inches (mm)									Weight lbs. (kgs)*
	"A"	"B"	"C"	"D"	"E"	"F"	"G"	"H"	"I"	
10-100A	17.64 (448)	14.20 (361)	7.64 (194)	8.12 (206)	1.03 (26)	6.93 (176)	10.71 (272)	3.55 (90)	10.64 (270)	33 (14.97)

\*Approximate weight without cord of heaviest plug in amperage range.





# XJ-L™ HD Busway System

## XJ-L HD Busway Introduction

### Competitive Advantages

XJ-L HD Busway is available up to 400A. XJ-L Busway is the leading power distribution solution for demanding applications that require reliable, high quality power. XJ-L HD Busway is the optimal choice for both contractors and users concerned with designing superior electrical systems that require a high plug density and optimal space utilization.

#### Competitive advantages:

- Compact size – small cross section for applications where busway routing is constrained
- Joint Connection – dual spring clamp assemblies ensure reliable, maintenance-free joints
- Safety – plug-in outlets are IP2X finger safe
- Reliability – fundamental design has a 60 year history of reliability
- Service – simple snap together installation, maintenance free joints, factory stock of critical components and large distribution inventory of bus plugs ensure quick and easy serviceability
- Fittings – elbow, tee, crosses, flanged end, and tap boxes are offered in standard and custom configurations
- Compatibility – the full range of XJ-L HD bus plugs are interchangeable between 100A, 225A and 400A busway



#### Key features:

- Up to twelve 100A bus plugs can be installed per 10' of plug-in busway. Plug-in busway can be configured with six plug-in openings per side (standard) or twelve on one side (high density).
- Bus plugs are readily installed on energized busway and are fully interchangeable between 100, 225 and 400A configurations.
- Bus plugs are available with fusible or circuit breaker disconnects, configured with a wide variety of optional receptacles, branch circuit breakers, drop cords, etc.
- Bus bars are solid copper (98% conductivity) and tin plated for superior electrical performance and corrosion resistance (optional silver plating is also available). The solid bus bar design provides superior short circuit strength (up to 35 kA) compared to channel style conductors and cable.
- Totally enclosed steel housing is robust, guarding against incidental contact and contamination of live parts. Enclosed box design will not twist or distort during bus plug installation.
- Installation is fast and easy. Joint connections simply snap together without special tools, housing couplers, or bus connectors.
- Suitable for horizontal and vertical mounting and under-the floor applications.

# XJ-L™ HD Busway System

## XJ-L HD Busway

## Overview

### XJ-L HD Busway

XJ-L HD Busway is well known for its outstanding performance, providing convenient, cost-effective power distribution for high-tech environments, data centers, laboratories, and other applications requiring consistent, quality power distribution. Key XJ-L HD design features include optional isolated ground or 200% neutral across the entire product range.

As a result, XJ-L HD Busway is an intelligent choice for contractors and users concerned with designing superior electrical distribution systems. The compact design is ideal for limited working areas in critical power, manufacturing, laboratory test facilities, schools, hospitals, and machine shops.

With XJ-L HD Busway, you get an exclusive, optional isolated ground design that ensures clean power. Unlike bonded ground designs that may convey surges from one electrical device to another, the XJ-L HD optional isolated ground system is well suited for critical power environments. The ground bar is the same size as the phase bars, with the same ampere rating. Installation is easy, joining one XJ-L HD Busway section to another is as simple as matching ends and snapping them together. Bus bars

are held securely in place by spring pressure clips located in the joint insulator. The joint is secured when the external housing plate is attached with captive screws. Thanks to built-in flexibility and a low initial cost, you also benefit from future savings when you need new equipment.

Time to add on busway for new or expanded facilities? The XJ-L Busway you installed years ago matches the XJ-L HD Busway you specify today and years from now the new busway sections, components or system-compatible bus plugs will still fit.

### Dependability

With over one million feet in service, XJ-L HD Busway has a proven track record. The busway joints are easy to install and maintenance free. Solid copper bus bars and totally enclosed steel housings are designed for decades of dependable service.

### Flexibility

Siemens XJ-L HD Busway is available in a wide variety of straight lengths, elbows, tees, crosses, and tap boxes that can be installed and then readily expanded or reconfigured to meet changing requirements. Custom fittings and straight lengths can be engineered to tailor the busway

system to application-specific customer requirements. Bus Plugs can be installed, then relocated as required without de-energizing the busway. All XJ-L HD Bus Plugs are fully interchangeable with all XJ-L HD Busway configurations.

### Cost

Siemens XJ-L HD Busway offers a lower cost solution, compared to cable and conduit, sandwich style busway or even light duty track busway. Snap together installation requires no special tools and is fast, easy and maintenance free. Solid, highly conductive bus bars minimize electrical losses and ensure long-term energy savings.

### Equipment protection

Critical equipment is protected via fuse or circuit breaker plugs. Due to their proximity, the plugs provide a localized method of protection and isolated disconnection.

### Space

Space in critical power/data center facilities is at a premium. XJ-L HD Busway requires less space than conventional power distribution methods such as cable and conduit.

### Availability

XJ-L HD plugs are stocked to meet your quick-ship requirements. Once you factor in all the advantages, XJ-L HD is clearly the best choice for reliable, flexible, and economical power distribution for data centers, light industrial, and high tech applications.



# XJ-L™ HD Busway System

## XJ-L HD Busway

## Specifications

XJ-L HD Busway is available in 100A, 225A and 400A ratings making it the right choice for light industrial and commercial applications where low initial startup and maintenance costs are prerequisites. XJ-L HD Busway is the most logical choice for high tech, data intensive environments, especially when isolated ground is required.

### Housing

XJ-L HD Busway features a totally enclosed, non-ventilated, steel housing. The housing is covered with an electrostatically applied polyester urethane powder paint. Choice of colors: ASA#61 Gray or Graphite Gray. The paint is scratch resistant and has a 500 hour salt spray rating.

### Conductors

The conductors are fabricated from 98% conductivity copper. The bars are "spaced-in-air" and held securely in the housing by the plug-in outlets and joints.

### Neutral

100% neutral is available for standard 4 wire applications. A second neutral bar can be added for 200% neutral capacity.

Note: The 200% neutral bar can be utilized as Isolated Ground.

The internal ground bus is 100% rated for 100A, 60% rated for 225A, and 50% for 400A busway. Isolated ground is rated at 100% for both amperages.

### Plating

The entire length of the bus bar is tin plated to ensure good electrical contact at all joint and plug tap-off points. The plating also serves to protect the bars from corrosion. Optional silver plating is available.

### Plug-in base

XJ-L HD Busway features multiple plug-in locations. The plastic, non-tracking outlets are located on 20 or 9.75 inch centers and support the bus bars providing bracing during short circuit conditions. The plug-in outlets are IP2X (finger safe).

### Joint connection

Busway sections are connected via a maintenance-free, spring pressure joint. The busway ends are easily aligned and bus bar ends are held securely in place by spring pressure clips located in

the joint insulator. The housings are connected via external housing plates and captive screws.

### Bus plugs

There are twelve plug-in outlets on each 10 foot (3.048 m) section, six openings on 5 foot (1.524 m) sections and two outlets on 2 foot (.616 m) sections. Bus plugs are available with amperages ranging from 15A to 200A. Bus plugs feature circuit breakers or fusible switch disconnects.

### Testing

Each piece of XJ-L HD Busway is factory tested prior to shipment. A dielectric test is performed to ensure product integrity. XJ-L HD Busway is manufactured and inspected in accordance to an ISO 9001 registered Quality Management System.

### Standards

XJ-L HD Busway products meet the following standards:

UL 857  
NEMA BU1  
CSA C22.2

### Ratings

Amperage: 100A, 225A and 400A  
Voltage: 600 VAC max<sup>Ⓞ</sup>  
Short circuit: 100A – 10kAIC  
225A – 22kAIC  
400A – 35kAIC



### R,X,Z and voltage drop

Ampere rating	Bus bar width x .125 in. (3.2 mm) thick	Ohm x 10 <sup>-3</sup> per 100 ft. Line to neutral			Voltage drop – concentrated loads, line-to-line per 100 ft. at 100% rated load, 35°C ambient power factor							
		R	X	Z	0.3	0.4	0.5	0.6	0.7	0.8	0.9	1.0
100	0.50 (13.0)	1.67	8.71	1.88	2.30	2.54	2.75	2.94	3.10	3.21	3.25	2.89
225	1.00 (25.4)	8.20	4.08	9.16	2.48	2.74	2.98	3.19	3.37	3.51	3.57	3.20
400	2.13 (54.1)	4.27	3.01	5.23	2.88	3.10	3.29	3.44	3.56	3.62	3.57	2.96

Ⓞ 225A three phase four or five wire has 277/480V max

# XJ-L™ HD Busway System

## Straight Sections

Plug-in section						Plug-in Busway Only				
Prefix	Type	Fitting Type			Amp	Configuration	Color	Plug-In Location	Plug-In Spacing	
<b>BW</b>	<b>J</b>	<b>P</b>	<b>1</b>	<b>2</b>	<b>0</b>	<b>1</b>	<b>6</b>	<b>G</b>	<b>L</b>	<b>2</b>
XJ-L HD	↑	↑	Length: 024 = 24 inches 060 = 60 inches 120 = 120 inches			1 = 100 2 = 225 4 = 400	1 = 3Ø 2 = 3Ø + Internal Grd 3 = 3Ø + Isolated Grd 4 = 3Ø + Internal Grd + Isolated Grd 5 = 3Ø + Neutral 6 = 3Ø + Neutral + Internal Grd 7 = 3Ø + Neutral + Isolated Grd 8 = 3Ø + Neutral + Internal Grd + Isolated Grd 9 = 3Ø + 200% Neutral 0 = 3Ø + 200% Neutral + Internal Ground	A = Graphite G = ANSI 61 X = Other	L = Left Side Only R = Right Side Only S = Dual Side	1 = 20" Dual Side <sup>①</sup> 2 = 9.75" Single Side <sup>②</sup>
Plug-in										

**Notes:**  
 ① Use for Plug-in Length = "S"  
 ② Use for Plug-in Length = "L" or "R"

### Plug-in sections

Available in 10 foot (3.048 m), 5 foot (1.524 m) or 2 foot (.616 m) standard plug-in lengths, XJ-L HD Busway offers layout flexibility to meet custom requirements. Plug-in busway can be configured with six plug-in openings per side or twelve on one side.

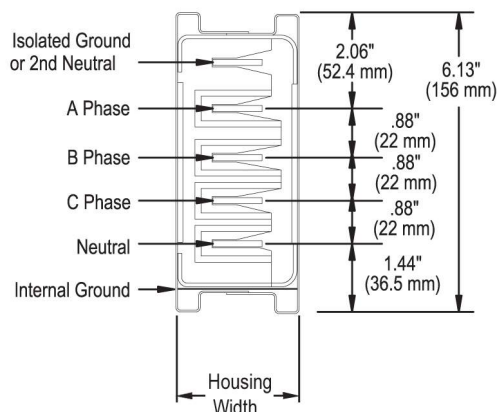
### Feeder Section

Prefix	Type	Fitting Type			Amp	Configuration	Color	
<b>BW</b>	<b>J</b>	<b>F</b>	<b>1</b>	<b>2</b>	<b>0</b>	<b>1</b>	<b>6</b>	<b>G</b>
XJ-L HD	↑	↑	Length in inches, Ex. 2' 3" = 024 Feeder lengths available from 16" (016) up to 10' 0" (120)			1 = 100 2 = 225 4 = 400	1 = 3Ø 2 = 3Ø + Internal Grd 3 = 3Ø + Isolated Grd 4 = 3Ø + Internal Grd + Isolated Grd 5 = 3Ø + Neutral 6 = 3Ø + Neutral + Internal Grd 7 = 3Ø + Neutral + Isolated Grd 8 = 3Ø + Neutral + Internal Grd + Isolated Grd 9 = 3Ø + 200% Neutral 0 = 3Ø + 200% Neutral + Internal Ground	A = Graphite G = ANSI 61 X = Other
Feeder								

### Feeder Sections

Feeder busway carries the current of the busway system from the supply source. Feeder busway does not have plug-in outlets. Feeder busway is available in custom lengths from 16.00 in (406mm) to 120.00 in (3048mm). Feeder sections are available as Indoor.

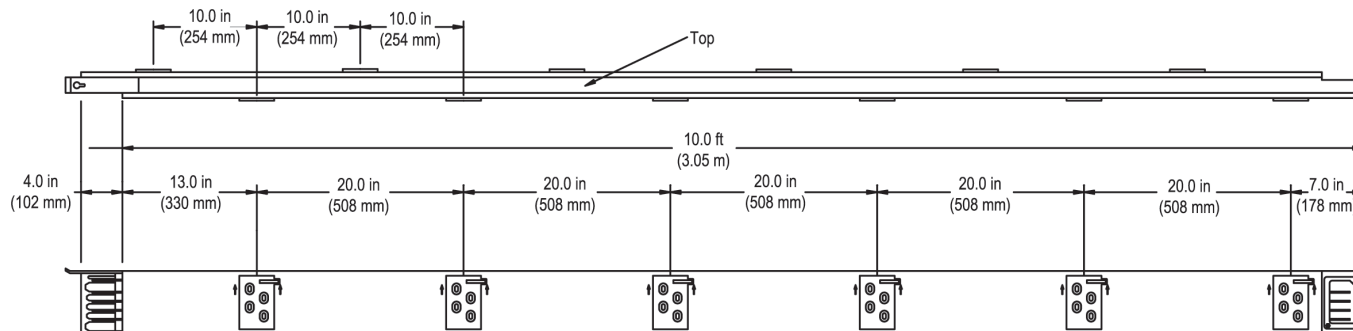
XJ-L HD Busway also features an exclusive rotating cover plate to facilitate inspection of the joints. The light weight design of the busway and plugs makes the installation of XJ-L HD Busway quick and trouble-free.



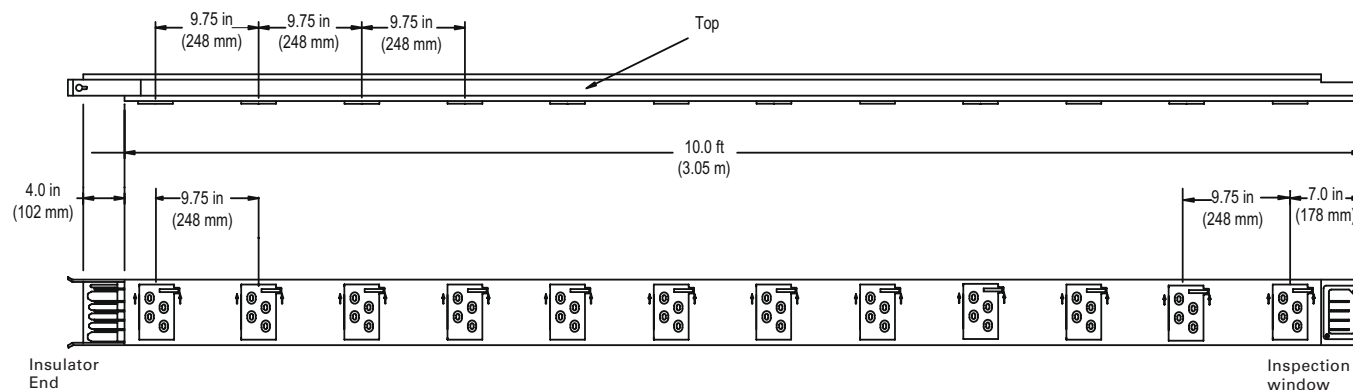
# XJ-L™ HD Busway System

## Straight Sections

### Plug-in Section (Dual Side)



### Plug-in Section (Single Side-Right hand configuration shown)



### Plug-in Section

Ampere Rating	Bus Bar Material	Bar Thickness	Bar Width	Housing Width	Housing Height	Max Voltage	Short Circuit Rating	Length Ft (M)	3 Pole		4 Pole	
									Model Number <sup>①</sup>	Wgt. (lb)	Model Number <sup>①</sup>	Wgt. (lb)
100	Copper	.125 (3.2)	.5 (13)	2.0 (51)	6.13 (156)	600V	10kA	10.0 (3.05)	BWJP12011GS1	42	BWJP12015GS1	45
100	Copper	.125 (3.2)	.5 (13)	2.0 (51)	6.13 (156)	600V	10kA	5.0 (1.52)	BWJP06011GS1	21	BWJP06015GS1	23
100	Copper	.125 (3.2)	.5 (13)	2.0 (51)	6.13 (156)	600V	10kA	2.0 (.61)	BWJP02411GS1	8	BWJP02415GS1	9
225	Copper	.125 (3.2)	1.0 (25)	2.5 (64)	6.13 (156)	600V	22kA	10.0 (3.05)	BWJP12021GS1	56	BWJP12025GS1	62
225	Copper	.125 (3.2)	1.0 (25)	2.5 (64)	6.13 (156)	600V	22kA	5.0 (1.52)	BWJP06021GS1	28	BWJP06025GS1	30
225	Copper	.125 (3.2)	1.0 (25)	2.5 (64)	6.13 (156)	600V	22kA	2.0 (.61)	BWJP02421GS1	10	BWJP02425GS1	12
400	Copper	.125 (3.2)	2.12 (54)	3.6 (92)	6.13 (156)	600V	35kA	10.0 (3.05)	BWJP12041GS1	69	BWJP12045GS1	79
400	Copper	.125 (3.2)	2.12 (54)	3.6 (92)	6.13 (156)	600V	35kA	5.0 (1.52)	BWJP06041GS1	35	BWJP06045GS1	40
400	Copper	.125 (3.2)	2.12 (54)	3.6 (92)	6.13 (156)	600V	35kA	2.0 (.61)	BWJP02441GS1	15	BWJP02445GS1	17

© Model Numbers Effective Aug 2011

### Feeder Section

Ampere Rating	Bus Bar Material	Bar Thickness	Bar Width	Housing Width	Housing Height	Max Voltage	Short Circuit Rating	Length In. (mm)	3 Pole		4 Pole	
									10' Model Number <sup>②</sup>	Wgt. (lb/ft)	10' Model Number <sup>②</sup>	Wgt. (lb/ft)
100	Copper	.125 (3.2)	.5 (13)	2.0 (51)	6.13 (156)	600V	10kA	16.0-120.0 (406 - 3048)	BWJF12011GS1	4.2	BWJP12015GS1	4.5
225	Copper	.125 (3.2)	1.0 (26)	2.5 (64)	6.13 (156)	600V	22kA		BWJF12021GS1	5.6	BWJP12025GS1	6.2
400	Copper	.125 (3.2)	2.12 (54)	3.6 (92)	6.13 (156)	600V	35kA		BWJF12041GS1	6.9	BWJP12045GS1	7.9

# XJ-L™ HD Busway System

## Elbows

### Fittings

Prefix	Type	Fitting Type				Amp	Configuration	Color
<b>BW</b>	<b>J</b>	<b>E</b>	<b>L</b>	<b>E</b>	<b>L</b>	<b>1</b>	<b>7</b>	<b>A</b>
<p>XJ-L HD Elbow</p>		E = Edge L = Left F = Flat R = Right				1 = 100 2 = 225 4 = 400	1 = 3Ø 2 = 3Ø + Internal Grd 3 = 3Ø + Isolated Grd 4 = 3Ø + Internal Grd + Isolated Grd 5 = 3Ø + Neutral 6 = 3Ø + Neutral + Internal Grd 7 = 3Ø + Neutral + Isolated Grd 8 = 3Ø + Neutral + Internal Grd + Isolated Grd 9 = 3Ø + 200% Neutral 0 = 3Ø + 200% Neutral + Internal Ground	A = Graphite G = ANSI 61 X = Other

### Flat elbows

Right hand or left hand XJ-L HD Busway system 90 degree flat elbows are available. When specifying be sure to use the proper catalog number suffix to identify the required fitting.

#### Flat Elbow

Ampere Rating	Poles	Model Number Right	Model Number Left
100	3	BWJELFR11G	BWJELFL11G
100	4	BWJELFR15G	BWJELFL15G
225	3	BWJELFR21G	BWJELFL21G
225	4	BWJELFR25G	BWJELFL25G
400	3	BWJELFR41G	BWJELFL41G
400	4	BWJELFR45G	BWJELFL45G

### Edge elbows

Right hand or left hand XJ-L HD Busway system 90 degree edge elbows are available. When specifying, be sure to use the proper catalog number suffix to identify the required fitting.

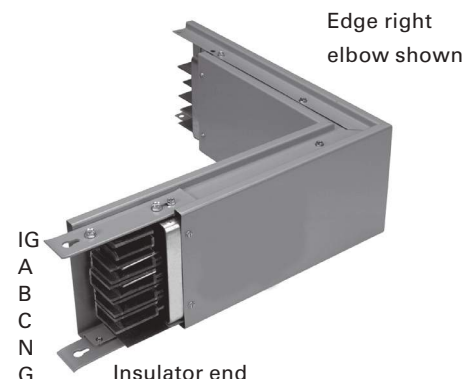
#### Edge Elbow

Ampere Rating	Poles	Model Number Right	Model Number Left
100	3	BWJELER11G	BWJELEL11G
100	4	BWJELER15G	BWJELEL15G
225	3	BWJELER21G	BWJELEL21G
225	4	BWJELER25G	BWJELEL25G
400	3	BWJELER41G	BWJELEL41G
400	4	BWJELER45G	BWJELEL45G



Flat right elbow shown

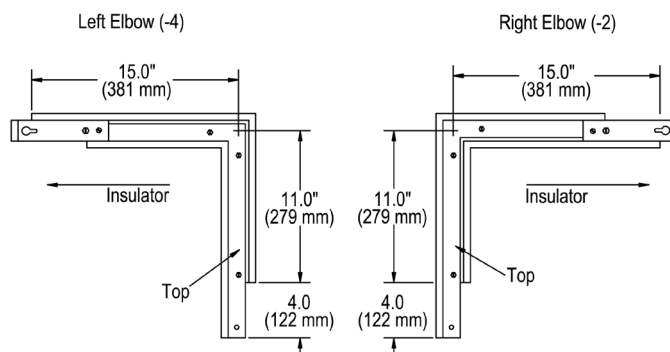
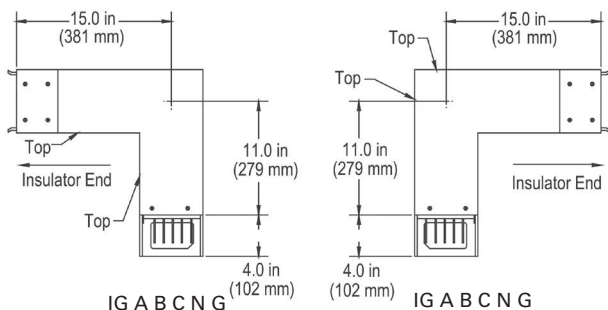
Insulator end



Edge right elbow shown

Left Elbow (-3)

Flat Right Elbow (-1)





# XJ-L™ HD Busway System

## Tees and Crosses

### Fittings

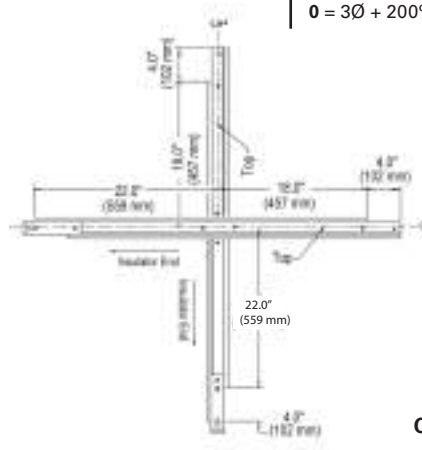
Prefix	Type	Fitting Type				Amp	Configuration	Color
<b>BW</b>	<b>J</b>	<b>C</b>	<b>R</b>	<b>E</b>	<b>2</b>	<b>1</b>	<b>7</b>	<b>A</b>
XJ-L HD		<b>R</b>	<b>E = Edge</b>	<b>2</b>	<b>1 = 100</b> <b>2 = 225</b> <b>4 = 400</b>	<b>1 = 3Ø</b> <b>2 = 3Ø + Internal Grd</b> <b>3 = 3Ø + Isolated Grd</b> <b>4 = 3Ø + Internal Grd + Isolated Grd</b> <b>5 = 3Ø + Neutral</b> <b>6 = 3Ø + Neutral + Internal Grd</b> <b>7 = 3Ø + Neutral + Isolated Grd</b> <b>8 = 3Ø + Neutral + Internal Grd + Isolated Grd</b> <b>9 = 3Ø + 200% Neutral</b> <b>0 = 3Ø + 200% Neutral + Internal Ground</b>	<b>A = Graphite</b> <b>G = ANSI 61</b> <b>X = Other</b>	

### Cross

Crosses are fittings used to interconnect two busway runs which are located at right angle to each other.

### Cross

Ampere Rating	Poles	Model Number
100	3	BWJCRE211G
100	4	BWJCRE215G
225	3	BWJCRE221G
225	4	BWJCRE225G
400	3	BWJCRE241G
400	4	BWJCRE245G



Cross - Type 2

### Fittings

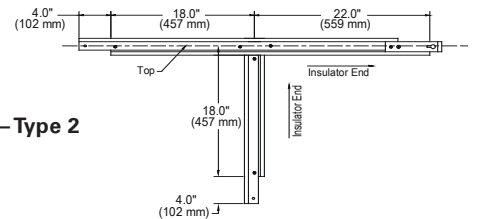
Prefix	Type	Fitting Type				Amp	Configuration	Color
<b>BW</b>	<b>J</b>	<b>T</b>	<b>E</b>	<b>E</b>	<b>2</b>	<b>1</b>	<b>7</b>	<b>A</b>
XJ-L HD		<b>E</b>	<b>E = Edge</b>	<b>2,4</b>	<b>1 = 100</b> <b>2 = 225</b> <b>4 = 400</b>	<b>1 = 3Ø</b> <b>2 = 3Ø + Internal Grd</b> <b>3 = 3Ø + Isolated Grd</b> <b>4 = 3Ø + Internal Grd + Isolated Grd</b> <b>5 = 3Ø + Neutral</b> <b>6 = 3Ø + Neutral + Internal Grd</b> <b>7 = 3Ø + Neutral + Isolated Grd</b> <b>8 = 3Ø + Neutral + Internal Grd + Isolated Grd</b> <b>9 = 3Ø + 200% Neutral</b> <b>0 = 3Ø + 200% Neutral + Internal Ground</b>	<b>A = Graphite</b> <b>G = ANSI 61</b> <b>X = Other</b>	

### Tee

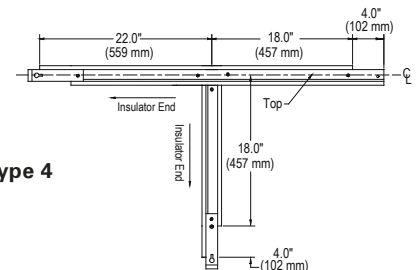
Tees permit a second run of busway to extend at right angles to a straight busway run.

### Tees

Ampere Rating	Poles	Model Number	Model Number
100	3	BWJTTEE211G	BWJTTEE411G
100	4	BWJTTEE215G	BWJTTEE415G
225	3	BWJTTEE221G	BWJTTEE421G
225	4	BWJTTEE225G	BWJTTEE425G
400	3	BWJTTEE241G	BWJTTEE441G
400	4	BWJTTEE245G	BWJTTEE445G



Tee - Type 2



Tee - Type 4

Right Hand Shown





# XJ-L™ HD Busway System

## Tap Boxes

### Center Tap Boxes

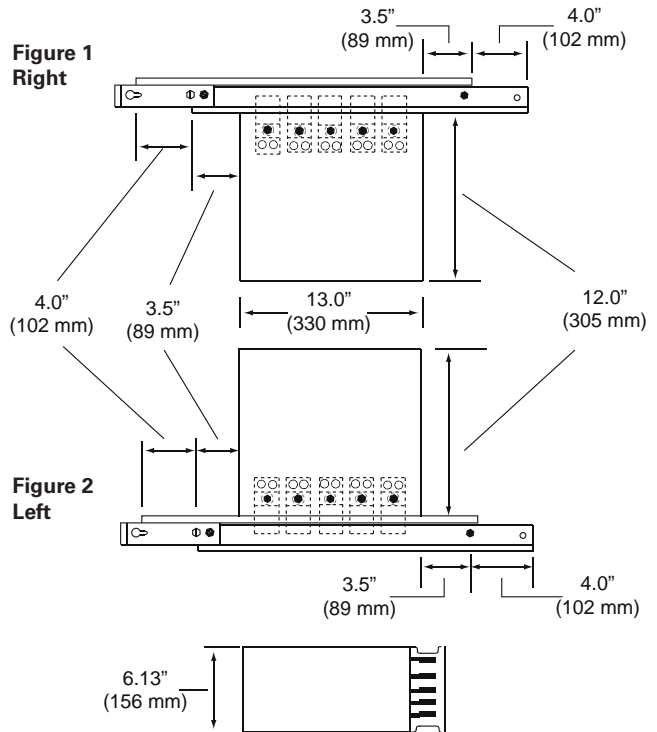
Prefix	Type	Fitting Type				Amp	Config.	Color	Tap Box Only <sup>②</sup>			
		C	T	L	N				Tap Box Steel	Lug opt.	Meter	Meter Surface
<b>BW</b>	<b>J</b>	<b>C</b>	<b>T</b>	<b>L</b>	<b>N</b>	<b>2</b>	<b>4</b>	<b>A</b>	<b>S</b>	<b>A</b>	<b>1</b>	<b>N</b>
XJ-L HD	↑	→ C	T	L = Left (rear) R = Right (front)	N	1 = 100 2 = 225 4 = 400		A = Graphite G = ANSI 61 X = Other	S = Standard X = Custom / Other		N = None 1 = PAC3200 2 = PAC3100 X = Other	N = None / NA L = Left R = Right (Inspection Cover Side) X = Other
Center Tap Box												
Notes:												
① Use X for Tap Box Steel												
② Not required for Flanged End. Leave fields blank												
1 = 3Ø												
2 = 3Ø + Internal Grd												
3 = 3Ø + Isolated Grd												
4 = 3Ø + Internal Grd + Isolated Grd												
5 = 3Ø + Neutral												
6 = 3Ø + Neutral + Internal Grd												
7 = 3Ø + Neutral + Isolated Grd												
8 = 3Ø + Neutral + Internal Grd + Isolated Grd												
9 = 3Ø + 200% Neutral												
0 = 3Ø + 200% Neutral + Internal Ground												
A = Std Mech Lug												
B = 1.75 Dual Hole (No Lug)												
X = Custom / Other <sup>①</sup>												
D = Extended Box with 500MCM Mechanical												

### Center Cable Tap Box

Center tap boxes are non-fusible devices utilized to feed to or take off power from the busway run. When loads served by the busway run do not require over-current protection, center tap boxes may be used. If the application requires additional wiring bending space, extended center tap boxes are available. Center tap boxes are an actual part of the busway run and require a space of 32 in. (810 mm) for installation.



Right Hand Shown



### Center Tap Box

Ampere Rating	Poles	Model Number Right Connected Fig 1	Model Number Left Connected Fig 2	Terminals Provided Qty/Pole and Size Cu/Al wire
225	3	BWJCTRN21GSANN	BWJCTLN21GSANN	(1) 350MCM - #6
225	4	BWJCTRN25GSANN	BWJCTLN25GSANN	(1) 350MCM - #6
400	3	BWJCTRN41GSANN	BWJCTLN41GSANN	(2) 350MCM - #6
400	4	BWJCTRN45GSANN	BWJCTLN45GSANN	(2) 350MCM - #6

# XJ-L™ HD Busway System

## Tap Boxes

### End Tap Boxes

Prefix	Type	Fitting Type				Amp	Config.	Color	Tap Box Only <sup>②</sup>			
		E	T	B	R				Tap Box Steel	Lug opt.	Meter	Meter Surface
<b>BW</b>	<b>J</b>	<b>E</b>	<b>T</b>	<b>B</b>	<b>R</b>	<b>2</b>	<b>4</b>	<b>A</b>	<b>S</b>	<b>A</b>	<b>1</b>	<b>R</b>
XJ-L HD	↑	→				1 = 100 2 = 225 4 = 400		A = Graphite G = ANSI 61 X = Other	S = Standard X = Custom / Other		N = None 1 = PAC3200 2 = PAC3100 X = Other	N = None / NA L = Left R = Right (Inspection Cover Side) X = Other
End Tap Box							1 = 3Ø 2 = 3Ø + Internal Grd 3 = 3Ø + Isolated Grd 4 = 3Ø + Internal Grd + Isolated Grd 5 = 3Ø + Neutral 6 = 3Ø + Neutral + Internal Grd 7 = 3Ø + Neutral + Isolated Grd 8 = 3Ø + Neutral + Internal Grd + Isolated Grd 9 = 3Ø + 200% Neutral 0 = 3Ø + 200% Neutral + Internal Ground			A = Std Mech Lug B = 1.75 Dual Hole (No Lug) X = Custom / Other <sup>①</sup> D = Extended Box with 500MCM Mechanical		

- Notes:
- ① Use X for Tap Box Steel
  - ② Not required for Flanged End. Leave fields blank

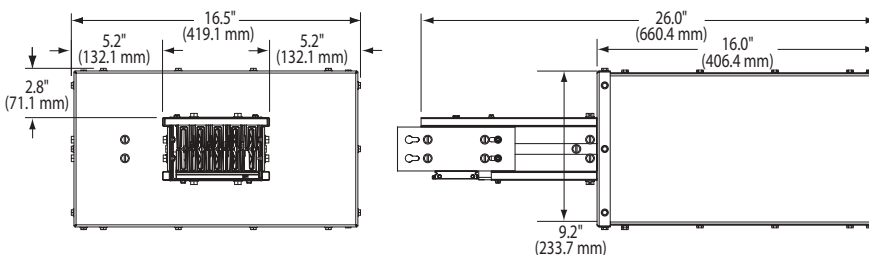
### End Tap Box

End tap boxes are devices used to connect cable and conduit to the end of a busway run or where busway runs connect without the need for over-current protection. End tap boxes may be installed at the end or beginning of a run.

Tap boxes can be configured with surge protection and current monitoring devices.

### End Tap Box

Ampere Rating	Poles	Model Number	Terminals Provided Qty/Pole and Size Cu/Al wire
100	3	BWJETBR11GS	(1) 1/0 - #14
100	4	BWJETBR15GS	(1) 1/0 - #14
225	3	BWJETBR21GS	(1) 350MCM - #6
225	4	BWJETBR25GS	(1) 350MCM - #6
400	3	BWJETBR41GS	(2) 350MCM - #6
400	4	BWJETBR45GS	(2) 350MCM - #6



Right Hand Shown

# XJ-L™ HD Busway System

## Flanged Ends

### Flanged End

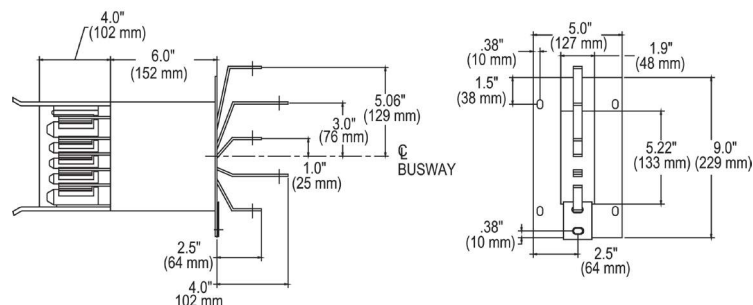
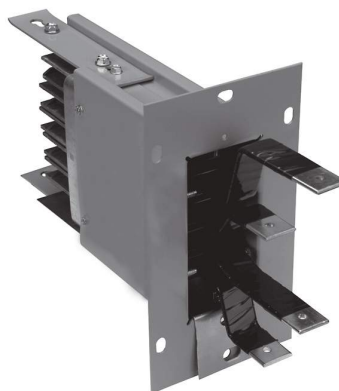
Prefix	Type	Fitting Type				Amp	Config.	Color
<b>BW</b>	<b>J</b>	<b>F</b>	<b>R</b>	<b>N</b>	<b>N</b>	<b>2</b>	<b>4</b>	<b>A</b>
XJ-L HD		<b>E = Std.</b> <b>R = Nema</b> <b>X = Other</b>				<b>1 = 100</b> <b>2 = 225</b> <b>4 = 400</b>	<b>1 = 3Ø</b> <b>2 = 3Ø + Internal Grd</b> <b>3 = 3Ø + Isolated Grd</b> <b>4 = 3Ø + Internal Grd + Isolated Grd</b> <b>5 = 3Ø + Neutral</b> <b>6 = 3Ø + Neutral + Internal Grd</b> <b>7 = 3Ø + Neutral + Isolated Grd</b> <b>8 = 3Ø + Neutral + Internal Grd + Isolated Grd</b> <b>9 = 3Ø + 200% Neutral</b> <b>0 = 3Ø + 200% Neutral + Internal Ground</b>	<b>A = Graphite</b> <b>G = ANSI 61</b> <b>X = Other</b>

### Flanged end

Flanged ends are used to connect busway to switchboards. Flanged ends come complete with bus bar extensions to facilitate the making of electrical connections.

### Flanged end

Ampere Rating	Poles	Model Number
100	3	<b>BWJFENN11GS</b>
100	4	<b>BWJFENN15GS</b>
225	3	<b>BWJFENN21GS</b>
225	4	<b>BWJFENN25GS</b>
400	3	<b>BWJFENN41GS</b>
400	4	<b>BWJFENN45GS</b>



## Busway hanger

XH2 and XH3 hangers are used to support XJ-L HD Busway and can be used with customer supplied rods up to 3/8 inch in diameter. Hangers are adaptable for wall mounting or ceiling suspension arrangements, either edge or flat. Custom mounting solutions available upon request.

### Busway Hanger

Ampere Rating	Model Number	Dimn A in. (mm)
100	BWJH0011G	2.25 (57)
225	BWJH0012G	2.75 (69)
400	BWJH0014G	4 (101)

**Tip:** Bus plug access may be restricted by hangers or drop rods. This should be considered in the system layout.



### Hangers

Prefix	Type	Fitting Type				Amp	Color
		H	0	0	1		
<b>BW</b>	<b>J</b>					<b>1</b>	<b>G</b>

001 = Single Drop Rod (XH style)  
 002 = Side Mount for strut channel<sup>①</sup>  
 003 = Saddle Mount for strut channel<sup>①</sup>  
 004 = Pole Mount<sup>①</sup>  
 005 = Dual Drop Rod Saddle<sup>①</sup>  
 006 = Dual/Single Drop Rod Frame  
 XXX = Other<sup>①</sup>

#### Notes:

① MTO-E Custom Product



## End closer

An end closer is used to terminate busway runs. To extend the run, simply remove the end closer and add new sections as needed.



### End Closer

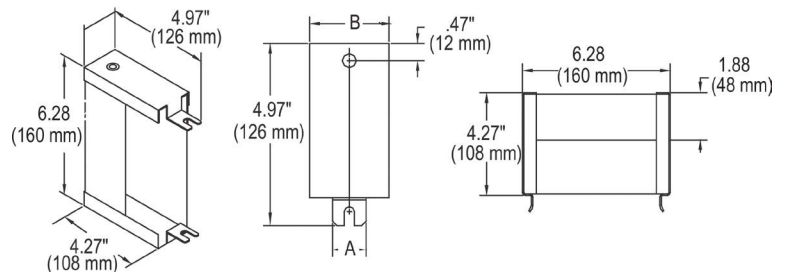
Prefix	Type	Fitting Type				Amp	Color
		X	E	N	N		
<b>BW</b>	<b>J</b>					<b>1</b>	<b>G</b>

XJ-L HD → X  
 End Closer → E N N

### End Closer

Ampere Rating	Model Number	Dimn. A in (mm)	Dimn. B in (mm)
100	BWJXENN1G	2.06 (52)	0.94 (24)
225	BWJXENN2G	2.31 (59)	1.44 (37)
400	BWJXENN4G	3.44 (87)	2.5 (64)

**Tip:** Utilization of the busway plug-in opening adjacent to the End Closer may be limited to XQ45 bus plugs. This applies only if the End Closer is located to the Right-hand of the bus plug.



## XOC outlet covers

Replacement outlet covers are available for closing off the plug-in outlets when desired.

### Outlet Cover

Ampere Rating	Model Number <sup>①</sup>
100	BWJXOCN1G
225	BWJXOCN2G
400	BWJXOCN4G



### Outlet Cover

Prefix	Type	Fitting Type				Amp	Color
		X	O	C	N		
<b>BW</b>	<b>J</b>					<b>1</b>	<b>G</b>

XJ-L HD → X  
 Plug-in Cover → O C N

# XJ-L™ HD Busway System

## Bus Plugs

Bus plugs for XJ-L Busway are available from 15A to 100A, with molded case circuit breakers or Vacu-Break fusible switches. All XJ-L bus plugs are fully interchangeable with all XJ-L Busway configurations.

Lightweight and portable, plugs can be installed or relocated as required **without de-energizing the busway**. Pre-engineered plug-in opening locations ensure no interference for **greater density** and maximum flexibility. This is especially important in high tech areas requiring frequent movement of equipment.

XJ-L HD Bus Plugs are available with 3 or 6 branch circuit protection in both single and 3-phase configurations, ranging from 15A – 100A for maximum power density and flexibility.

A wide variety of NEMA and IEC receptacles or cord connections are available for the XJ-L Bus Plugs.



### Selection Guide

Enclosure Type	Plug-in Spacing	Breaker Type	Application
A = 3 Circuit - XQ Series	20.00 & 9.75	BQ, BQH, HBQ	XQ style - No receptacle
B = 3 Circuit - XQR Series	20.00 & 9.75 <sup>Ⓣ</sup>		XQR style – with duplex receptacle provision. May be used for custom receptacles or when additional wiring space is required
C = 3 Circuit HD XPM	20.00 & 9.75		Use for applications that require factory installed breakers and receptacles
D = 3-6 Circuit HD XPM	20.00 & 9.75	BL, BLH, HBL, BQD, NGB	Use for applications that require factory installed breakers and receptacles
G = XLEC	20.00 & 9.75 <sup>Ⓣ</sup>	ED2,ED4,ED6, HED4	Cover operable handle. Uses heavy duty E-Frame Breakers
H = XEC	20.00 & 9.75 <sup>Ⓣ</sup>		Uses heavy duty E-Frame breakers
J = Plug-in Tap Box	20.00	na	Plug-in tap off device - lugs only
K = XLVB Fusible	20.00 & 9.75 <sup>Ⓣ</sup>	na	Cover operable Vacu-Break Switch

### Siemens XJ-L™ HD Bus Plugs and Power Modules

Prefix	Type	Enclosure	System Config.	Color	Breaker Group	Use For Breaker Group = A, B, X <sup>Ⓞ</sup>						
						Ampere Rating or Breaker/Receptacle Arrangement <sup>ⓄⓅⓆⓇ</sup>					Custom Features	
<b>BP</b>	<b>J</b>	<b>H</b>	<b>6</b>	<b>A</b>	<b>A</b>	<b>E</b>	<b>D</b>	<b>4</b>	<b>6</b>	<b>0</b>	<b>N</b>	<b>N</b>
Bus Plug	XJ-L HD	A = 3 Circuit XQ Series B = 3 Circuit – XQ Series Receptacle Provision C = 3 Circuit HD XPM D = 3-6 Circuit HD XPM G = XLEC <sup>ⓆⓇⓈⓉ</sup> H = XEC <sup>ⓆⓇⓈ</sup> J = Plug-in Tap Box <sup>ⓆⓇⓈⓉ</sup> K = XLVB Fusible <sup>ⓆⓇⓈⓉ</sup>	1 = 3Ø 2 = 3Ø + Internal Grd 3 = 3Ø + Isolated Grd 4 = 3Ø + Internal Grd + Isolated Grd 5 = 3Ø + Neutral 6 = 3Ø + Neutral + Internal Grd 7 = 3Ø + Neutral + Isolated Grd 8 = 3Ø + Neutral + Internal Grd + Isolated Grd 9 = 3Ø + 200% Neutral 0 = 3Ø + 200% Neutral + Internal Ground	A = Graphite G = ANSI 61 X = Other	A = Non-Mixed Factory Installed Breakers <sup>Ⓠ</sup> E = Enclosure Only (no Breaker) <sup>ⓆⓇ</sup> X = Other / Fusible <sup>Ⓠ</sup>	See Notes below for information					NN = None / NA	

#### Notes:

- Ⓠ Use “A” or “E” for XLEC and XEC
- Ⓡ Available in System Configs: 1,2,5,6
- Ⓢ Available in System Configs: 1,2,3,4,5,6,7,8,9
- Ⓞ For non-breaker style plug use “X” for Breaker Grouping field. (Fusible & Plug-in Tap Box)
- Ⓟ For Enclosure = C,E,F see Breaker / Receptacle Arrangement Schedule for Details
- Ⓠ For XEC and XLEC Ampere Rating field use ED2xx, ED4xx,ED6xx where xx = 15 to 00 trip rating (100A max).
- Ⓡ For XLVB Ampere Rating field use 02xxx for 240V & 06xxx for 600V where xxx = 030, 060, 100 ampere
- Ⓢ For Plug-in Tap Box Ampere Rating field use PBxxx where xxx = 100, 200 ampere
- Ⓣ Ampere Rating and Customer Features fields not required for Breaker Group = “E”. Leave fields blank.
- Ⓠ Requires two plug-in openings for 9.75 spacing.
- Ⓡ 200A Tap Box installs on 20.0 dual side plug-in spacing only. Requires two plug-in openings.

# XJ-L™ HD Busway System

## Bus Plugs

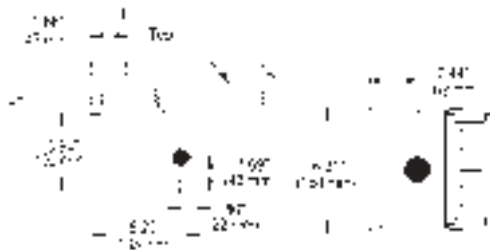
### XQ and XQR Series

XQ and XQR bus plugs accept BQ (bolt-on) circuit breakers. The plugs feature knockouts to facilitate quick installation. The XQR has added wiring space to allow receptacle installation.

#### XQ Series Bus plug (60A max)

Breaker Type	Volts	No. of Spaces	Model Number	Model Number
BQ, BQH and HBQ	120/240	3	BPJA1GE	BPJA5GE

Enclosure Only



#### XQR Series Bus plug (60A max)

Breaker Type	Volts	No. of Spaces	Model Number	Model Number
BQ, BQH and HBQ	120/240	3	BPJB1GE	BPJB5GE

Enclosure Only



#### Accessories for XQ and XQR Series

<b>XEQH</b>	Floor Operating Handle (not for 1 pole or 2 pole breakers)
<b>W62890</b>	Bonded Ground Kit
<b>W68101</b>	Isolated Ground Kit



**XEQH**



**W62890**



**W68101**

# XJ-L™ HD Busway System

## Bus Plugs

### XPM Series

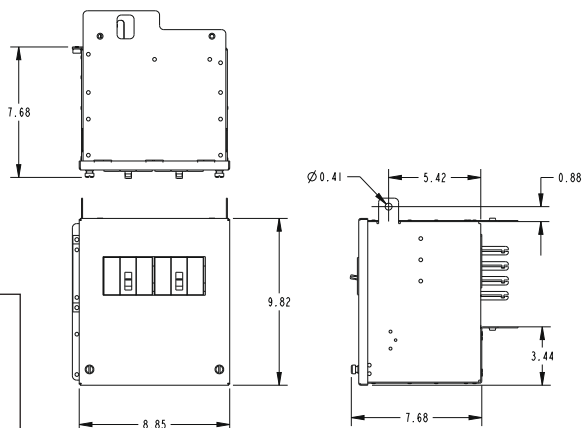
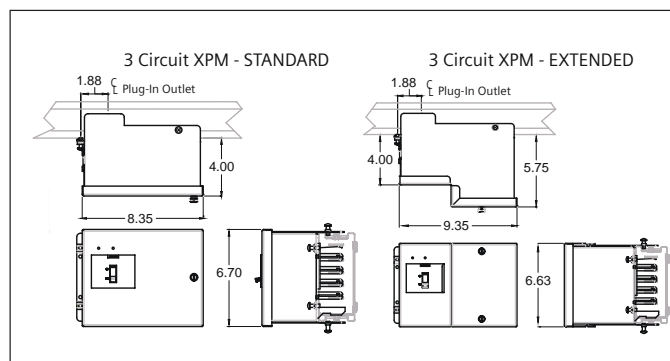
Use for applications that require factory installed breakers and receptacles.

#### XPM Series HD Bus plug 3/6

Breaker Type	Interrupt Rating (RMS kA)	Config.	No. of Spaces	Model Number
BL	10	1-pole 120V	6	BPJE...
BLH	10	1-pole 120V		
	22	1-pole 120V		
	22	3-pole 240V		
	10	2-pole 120/240V		
	10	3-pole 120/240V		
	22	2-pole 120/240V		
HBL	22	3-pole 120/240V		
	10	1-pole 120V		
	22	1-pole 120V		
	65	1-pole 120V		
	22	3-pole 240V		
	65	3-pole 240V		
	10	2-pole 120/240V		
	10	3-pole 120/240V		
	22	2-pole 120/240V		
	22	3-pole 120/240V		
BQD	65	2-pole 240V		
	65	3-pole 240V		
	10	2-pole 120/240V		
	10	3-pole 120/240V		
	22	2-pole 120/240V		
	22	3-pole 120/240V		
	65	2-pole 240V		
	65	3-pole 240V		
	14	1-pole 227V		
	14	2-pole 227/480V		
	14	3-pole 227/480V		
	NGB	10	1-pole 120V	
		22	1-pole 120V	
		65	1-pole 120V	
10		2-pole 240V		
10		3-pole 240V		
22		2-pole 240V		
65		2-pole 240V		
65		3-pole 240V		
10		2-pole 120/240V		
10		3-pole 120/240V		
22		2-pole 120/240V		
65		3-pole 120/240V		
65		3-pole 120/240V		
14		1-pole 227V		
25	1-pole 227V			
14	2-pole 227/480V			
14	3-pole 227/480V			
25	2-pole 227/480V			
25	3-pole 227/480V			
14	1-pole 347V			
14	2-pole 347/600V			
14	3-pole 347/600V			

#### XPM Series HD Bus plug 3 Circuit

Breaker Type	Interrupt Rating (RMS kA)	Config.	No. of Spaces	Model Number
BQ	10	1-pole 120V	6	BPJC...
	10	2-pole 240 V		
	10	3-pole 240 V		
	10	2-pole 120/240 V		
	10	3-pole 120/240 V		
	10	1-pole 120V		
BQH	22	1-pole 120V		
	22	3-pole 240 V		
	10	2-pole 120/240 V		
	10	3-pole 120/240 V		
	22	2-pole 120/240 V		
	22	3-pole 120/240 V		
HBQ	10	1-pole 120V		
	22	1-pole 120V		
	65	1-pole 120V		
	22	3-pole 240 V		
	65	3-pole 240 V		
	10	2-pole 120/240 V		
	10	3-pole 120/240 V		
	22	2-pole 120/240 V		
	65	2-pole 120/240 V		
	65	3-pole 120/240 V		





# XJ-L™ HD Busway System

## Bus Plugs

### XEC Series

(Cover operable, 100A max)

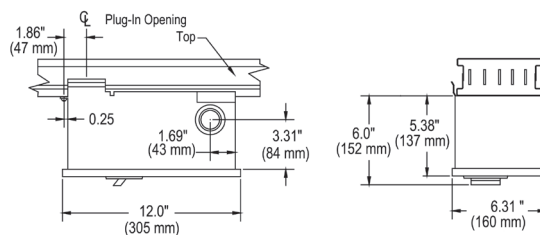
XEC bus plugs accept ED2, ED4, ED6 and HED6 circuit breakers. The plugs feature a spacious chassis which allows room for wire bending and knockout provisions. Isolated ground plugs are available from the factory.

#### XEC Series bus plug

Breaker Type	Volts	Ampere Rating	Model Number	Model Number
ED2	240	100	BPJH1GAED200NN	BPJH5GAED200NN
ED4	480	30	BPJH1GAED430NN	BPJH5GAED430NN
ED6	600	60	BPJH1GAED660NN	BPJH5GAED660NN
Enclosure Only	600 Max	15-100	BPJH1GE	BPJH5GE



**W62890**  
bonded  
ground kit



### XLEC Series

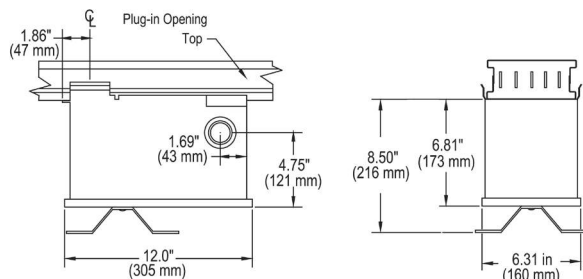
(Floor operable, 100A max)

XLEC bus plugs accept ED2, ED4, ED6 and HED4 circuit breakers. The plugs feature a spacious chassis which allows room for wire bending and knockout provisions. These plugs may be operated from the floor with a pull chain or hookstick.

#### XLEC Series bus plug

Breaker Type	Volts	Ampere Rating	Model Number	Model Number
ED2	240	100	BPJG1GAED200NN	BPJG5GAED200NN
ED4	480	30	BPJG1GAED430NN	BPJG5GAED430NN
ED6	600	60	BPJG1GAED660NN	BPJG5GAED660NN
Enclosure Only	600 Max	15-100	BPJG1GE	BPJG5GE

Additional add-on features, such as shunt trips, alarm switches, and auxiliary contacts are also available for XEC and XLEC bus plugs.



# XJ-L™ HD Busway System

## Bus Plugs

### XLVB Series

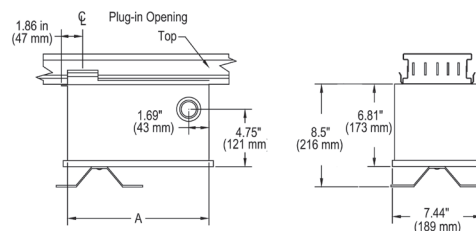
(Floor operable, 100A max)

XLVB fusible bus plugs utilize the Vacu-Break switching principle, which minimizes arcing and reduces maintenance costs. The Vacu-Break bus plugs are quick-make and quick-break, cover interlocked, horsepower rated, and may be operated from the floor with a pull chain or hookstick.



#### XLVB Series bus plug

Volts	Ampere Rating	Model Number	Model Number
240	30	BPJK1GX02030NN	BPJK5GX02030NN
240	60	BPJK1GX02060NN	BPJK5GX02060NN
240	100	BPJK1GX02100NN	BPJK5GX02100NN
600	30	BPJK1GX06030NN	BPJK5GX06030NN
600	60	BPJK1GX06060NN	BPJK5GX06060NN
600	100	BPJK1GX06100NN	BPJK5GX06100NN

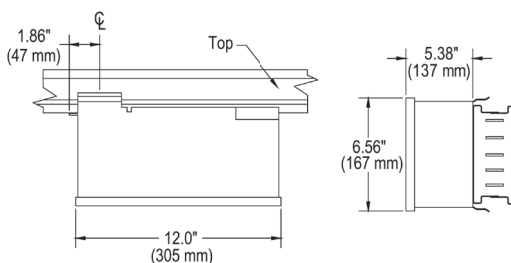


W47185  
ON/OFF labels



### 100A Plug-in tap box

Plug-in cable tap boxes are non-fusible devices used for end or center feed. The 100A tap boxes can be attached at any plug-in opening.



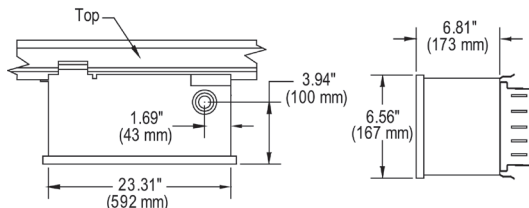
#### 100A Plug-in Tap Box

Ampere Rating	Poles	Model Number
100	3	BWJJ1GXPB100NN
100	4	BWJJ5GXPB100NN

**Note:** Add suffix letter "G" to catalog number for ground bus.

### 200A Plug-in tap box

Plug-in cable tap boxes are non-fusible devices used for end or center feed. The 200A tap box requires two adjacent openings on 20" centers. 200A plug-in tap boxes are not suitable for use with XJ-L HD Busway.



#### 200A Plug-in Tap Box

Ampere Rating	Poles	Model Number
200	3	BWJJ1GXPB200NN
200	4	BWJJ5GXPB200NN

**Note:** Add suffix letter "G" to catalog number for ground bus.

W62892  
Grd Finger Kit

# Busway Power Distribution

## BD® Plug-In (225 — 1600 Ampere) Copper

Selection

Ampere Rating	Plug In 10'-0" Straight Length Catalog Number	Case Dimensions (inches)	Shipping Weight Lb./Ft.	90° Elbow Prefix Catalog Number <sup>③④</sup>	Switch-Board Connection® Prefix	Building Expansion Fitting Catalog Number	Cable Tap Box		End Closure Catalog Number	Hangers® Catalog Number
							End® Catalog Number	Center® Catalog Number		

### 3-Phase, 3-Wire

225	BDP302	4 <sup>1</sup> / <sub>16</sub> x 8 <sup>3</sup> / <sub>8</sub>	9	LDP302
400	BDP304	4 <sup>1</sup> / <sub>16</sub> x 8 <sup>3</sup> / <sub>8</sub>	12 <sup>1</sup> / <sub>2</sub>	LDP304
600	BDP306	4 <sup>1</sup> / <sub>16</sub> x 8 <sup>3</sup> / <sub>8</sub>	13 <sup>1</sup> / <sub>2</sub>	LDP306
800	BDP308	6 <sup>1</sup> / <sub>16</sub> x 8 <sup>3</sup> / <sub>8</sub>	18 <sup>1</sup> / <sub>2</sub>	LDP308
1000	BDP310	6 <sup>1</sup> / <sub>16</sub> x 8 <sup>3</sup> / <sub>8</sub>	22	LDP310
1350	BDP313	12 <sup>1</sup> / <sub>16</sub> x 8 <sup>3</sup> / <sub>8</sub>	28	LDP313
1600	BDP316	12 <sup>1</sup> / <sub>16</sub> x 8 <sup>3</sup> / <sub>8</sub>	29	LDP316

FEP302	EJP302	ETB302	CTB302	ECP6	BDH10
FEP304	EJP304	ETB304	CTB304	ECP6	
FEP306	EJP306	ETB306	CTB306	ECP6	
FEP308	EJP308	ETB308	CTB308	ECP10	BDH12
FEP310	EJP310	ETB310	CTB310	ECP10	
FEP313	EJP313	ETB313	CTB313	ECA10	
FEP316	EJP316	ETB316	CTB316	ECA10	

600V or Less

### 3-Phase, 4-Wire — Full Capacity Neutral

225	BDP4024	4 <sup>1</sup> / <sub>16</sub> x 8 <sup>3</sup> / <sub>8</sub>	12	LDP4024
400	BDP4044	4 <sup>1</sup> / <sub>16</sub> x 8 <sup>3</sup> / <sub>8</sub>	14 <sup>1</sup> / <sub>2</sub>	LDP4044
600	BDP4064	4 <sup>1</sup> / <sub>16</sub> x 8 <sup>3</sup> / <sub>8</sub>	15 <sup>1</sup> / <sub>2</sub>	LDP4064
800	BDP4084	8 <sup>3</sup> / <sub>16</sub> x 8 <sup>3</sup> / <sub>8</sub>	28	LDP4084
1000	BDP4104	8 <sup>3</sup> / <sub>16</sub> x 8 <sup>3</sup> / <sub>8</sub>	32	LDP4104
Rod-Hanger Adapter (optional)			UJ100	

FEP4024	EJP4024	ETB4024	CTB4024	ECP6	BDH10
FEP4044	EJP4044	ETB4044	CTB4044	ECP6	
FEP4064	EJP4064	ETB4064	CTB4064	ECP6	BDH12
FEP4084	EJP4084	ETB4084	CTB4084	ECA8	
FEP4104	EJP4104	ETB4101	CTB4101	ECA8	

480V or Less

BUSWAY SYSTEMS 13

## Aluminum to Copper Cross Reference

Aluminum BD Busway is no longer available. Please use the cross reference below to identify compatible copper equivalent.

Ampere Rating	Plug In 10'-0" Straight Length Catalog Number	Case Dimensions (inches)
---------------	---	--------------------------

Ampere Rating	Plug In 10'-0" Straight Length Catalog Number	Case Dimensions (inches)
---------------	---	--------------------------

### Aluminum

#### 3-Phase, 3-Wire

225	ABD302	4 <sup>1</sup> / <sub>16</sub> x 8 <sup>3</sup> / <sub>8</sub>
400	ABD304	4 <sup>1</sup> / <sub>16</sub> x 8 <sup>3</sup> / <sub>8</sub>
600	ABD306	6 <sup>1</sup> / <sub>16</sub> x 8 <sup>3</sup> / <sub>8</sub>
800	ABD308	6 <sup>1</sup> / <sub>16</sub> x 8 <sup>3</sup> / <sub>8</sub>
1000	ABD310	12 <sup>1</sup> / <sub>16</sub> x 8 <sup>3</sup> / <sub>8</sub>
1200	ABD312	12 <sup>1</sup> / <sub>16</sub> x 8 <sup>3</sup> / <sub>8</sub>

### Copper

#### 3-Phase, 3-Wire

225	BDP302	4 <sup>1</sup> / <sub>16</sub> x 8 <sup>3</sup> / <sub>8</sub>
400	BDP304	4 <sup>1</sup> / <sub>16</sub> x 8 <sup>3</sup> / <sub>8</sub>
600	BDP306	4 <sup>1</sup> / <sub>16</sub> x 8 <sup>3</sup> / <sub>8</sub>
800	BDP308	6 <sup>1</sup> / <sub>16</sub> x 8 <sup>3</sup> / <sub>8</sub>
1000	BDP310	6 <sup>1</sup> / <sub>16</sub> x 8 <sup>3</sup> / <sub>8</sub>
1350	BDP313	12 <sup>1</sup> / <sub>16</sub> x 8 <sup>3</sup> / <sub>8</sub>
1600	BDP316	12 <sup>1</sup> / <sub>16</sub> x 8 <sup>3</sup> / <sub>8</sub>

#### 3-Phase, 4-Wire — Full Capacity Neutral

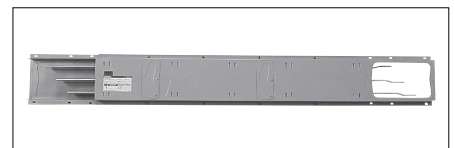
225	ABD4024	4 <sup>1</sup> / <sub>16</sub> x 8 <sup>3</sup> / <sub>8</sub>
400	ABD4044	4 <sup>1</sup> / <sub>16</sub> x 8 <sup>3</sup> / <sub>8</sub>
600	ABD4064	6 <sup>1</sup> / <sub>16</sub> x 8 <sup>3</sup> / <sub>8</sub>
800	ABD4084	8 <sup>3</sup> / <sub>16</sub> x 8 <sup>3</sup> / <sub>8</sub>
1000	ABD4104	12 <sup>1</sup> / <sub>16</sub> x 8 <sup>3</sup> / <sub>8</sub>
1200	ABD4124	12 <sup>1</sup> / <sub>16</sub> x 8 <sup>3</sup> / <sub>8</sub>

#### 3-Phase, 4-Wire — Full Capacity Neutral

225	BDP4024	4 <sup>1</sup> / <sub>16</sub> x 8 <sup>3</sup> / <sub>8</sub>
400	BDP4044	4 <sup>1</sup> / <sub>16</sub> x 8 <sup>3</sup> / <sub>8</sub>
600	BDP4064	4 <sup>1</sup> / <sub>16</sub> x 8 <sup>3</sup> / <sub>8</sub>
800	BDP4084	8 <sup>3</sup> / <sub>16</sub> x 8 <sup>3</sup> / <sub>8</sub>
1000	BDP4104	8 <sup>3</sup> / <sub>16</sub> x 8 <sup>3</sup> / <sub>8</sub>

### "M" Rating / Standard Rating Conversion Table

1000/A Square Inch "M" Rating	Standard Rating Equivalent
225	—
400	600
600	800
800	800
1000	1000
1200	—
1350	1350
1600	1600
2000	—
2500	—
3000	—
4000	—

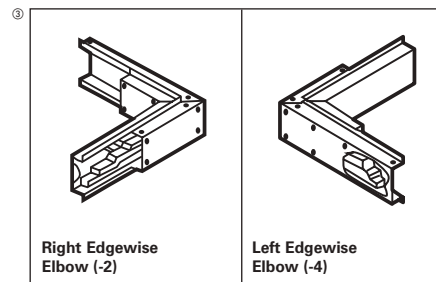


For inches / millimeters conversion, see Application Data Section.

① For higher short circuit ratings add an "H" after the "D" or "P" (ABDH302 or BDPH302). Consult sales office for ratings.

② "GK" suffix is an internal ground bus. For any other ground configuration, consult local sales office. Please use following footage for fittings:

- Elbow - 3'
- SWB - 1'
- End Cable Tap Box - 1'
- Center Cable Tap Box - 10'
- Building Expansion - 10'



Suffix	Description	Appropriate suffix must be added to Elbow Catalog Number to order.
-1	Right Flatwise	
-2	Right Edgewise	
-3	Left Flatwise	
-4	Left Edgewise	

③ Switchboard stub includes flange to cover cutout in top of indoor switchboard and 6" of bus inside switchboard. Connecting hardware supplied by switchboard manufacturer.

④ Includes busway stub. Total length added to run is 2' for 225A and 400A aluminum or 225A-600A copper; 3' for all others. Box is designed to connect to offset bus-bar ends. When it is to be connected to straight bus-bar ends, adapter will be furnished upon request.

⑤ Must be factory-assembled to busway. Complete device includes 10' busway.

⑥ Two hangers included free of charge with each busway section, elbow, tee and cross.

# Busway Power Distribution

## XL-U® Aluminum (225–5000 Ampere)

Selection

225–5000 Amperes / 600 Volts or Less

Non-Ventilated 225–600 Amperes

Busway Catalogue Number				Wall Flange Catalogue Number	Floor Support Catalogue Number	End Closure Catalogue Number	Hangers <sup>②</sup> Catalogue Number
Ampere Rating	Basic Catalogue Number	Case Dimensions (inches)	Shipping Weight Lb./Ft.				

### 3-Pole

225	UH302AB	4½ x 10	8	UF145	UFS145	UE145	UH145
400	UH304AB	4½ x 10	9	UF145	UFS145	UE145	UH145
600	UH306AB	5½ x 10	10	UF145	UFS145	UE155	UH155

### 4-Pole Full Neutral

225	UH502AB	4½ x 10	8	UF145	UFS145	UE145	UH145
400	UH504AB	4½ x 10	9	UF145	UFS145	UE145	UH145
600	UH506AB	5½ x 10	10	UF145	UFS145	UE155	UH155

## Ventilated 800–5000 Amperes With Ground Bus

Busway Sections Complete					Wall Flange Catalogue Number	Floor Support Catalogue Number	End Closure Catalogue Number	Hangers <sup>②</sup> Catalogue Number
Ampere Rating <sup>①</sup>		Basic Catalogue Number	Case Dimensions (inches)	Shipping Weight Lb./Ft.				
Edge-wise	Flat-wise							

### 3-Pole

800	800	UH308AV	4½ x 10	10	UF145	UFS145	UE145	UH145
1000	800	UH310AV	4½ x 10	11	UF145	UFS145	UE145	UH145
1200	1000	UH312AV	5½ x 10	12	UF155	UFS145	UE155	UH155
1350	1200	UH313AV	5½ x 10	13	UF155	UFS145	UE155	UH155
1600	1350	UH316AV	7½ x 10	16	UF175	UFS179	UE175	UH175
2000	1600	UH320AV	7½ x 10	19	UF175	UFS179	UE175	UH175
2500	2000	UH325AV	9½ x 10	23	UF195	UFS179	UE175	UH195
3000	3000	UH330AV	7½ x 20%	32	UF275	UFS279	UE275	UH275
4000	3500	UH340AV	9½ x 20%	41	UF295	UFS279	UE295	UH295
5000	4000	UH350AV	9½ x 20%	45	UF295	UFS279	UE295	UH295

### 4-Pole Full Neutral

800	800	UH508AV	4½ x 10	11	UF145	UFS145	UE145	UH145
1000	800	UH510AV	4½ x 10	12	UF145	UFS145	UE145	UH145
1200	1000	UH512AV	5½ x 10	14	UF155	UFS145	UE155	UH155
1350	1200	UH513AV	5½ x 10	15	UF155	UFS145	UE155	UH155
1600	1350	UH516AV	7½ x 10	18	UF175	UFS179	UE175	UH175
2000	1600	UH520AV	7½ x 10	21	UF175	UFS179	UE175	UH175
2500	2000	UH525AV	9½ x 10	26	UF195	UFS179	UE195	UH195
3000	3000	UH530AV	7½ x 20%	35	UF275	UFS279	UE275	UH275
4000	3500	UH540AV	9½ x 20%	47	UF295	UFS279	UE295	UH295
5000	4000	UH550AV	9½ x 20%	52	UF295	UFS279	UE295	UH295

### XLU Suffix Table

Description	Suffix
Feeder	F
Plug-in	P
Elbow	L
Tee	T
Cross	X
Switchboard Connection	S
Expansion Section	J
Center Tap Box	M
End Tap Box	B
XFMR Throat	—
XFMR Tap 1-3 Phase	—
XFMR Tap 3-1 Phase	—
Roof Flange	—
Fused Reducer	—
Non Fused Reducer	—

① Ventilated XL-U busway has two ratings; see above for edgewise or flatwise mounting.

② For rod-hanger adapter UJ100 see page 13-80.

#### GENERAL NOTES:

- 1) For inches / millimeters conversion, see Technical Section.
- 2) To form complete catalog number, use basic catalog number and substitute suffix of required item. Example: Basic busway Catalog Number U316AV— accessory switchboard stub with ground bus U316AVSG.
- 3) Totally Enclosed offering is available up to 3000A Al. Replace "V" with "E" in catalog number.
- 4) The following feeder busway footages apply:  
 XL-U Elbow 2' XLU-EXP Section 4'  
 XL-U Tee 3' XL-U SWBD Stub 1'  
 XL-U Cross 4' XL-U Reducer 4'

- 5) For higher short circuit rating add an "HH" after the "U" (UHH302ABP)
- 6) Floor and ceiling flanges are ordered by description.
- 7) Internal ground bar provided as standard.
- 8) For elbows other than 90°, accessory charge is doubled.
- 9) Switchboard stub includes flange to cover cutout in top of indoor switchboard and 8" of bus inside switchboard. Connecting hardware supplied by switchboard manufacturer.
- 10) Transformer throat connection includes gasketed box sized to match throat plus flexible straps and bolts. No Busway footage is included. For connection to transformers not manufactured by Siemens, consult factory



# Busway Power Distribution

## XL-U® Copper (225–6500 Amperes)

Selection

225–6500 Amperes / 600 Volts or Less

Non-Ventilated 225–600 Amperes

Busway Catalogue Number				Wall Flange Catalogue Number	Floor Support Catalogue Number	End Closure Catalogue Number	Hangers® Catalogue Number
Ampere Rating	Basic Catalogue Number	Case Dimensions (inches)	Shipping Weight Lb./Ft.				

### 3-Pole

225	UH302CB	4½ x 10	8	UF145	UFS145	UE145	UH145
400	UH304CB		12	UF145	UFS145	UE145	UH145
600	UH306CB		13	UF145	UFS145	UE145	UH145

### 4-Pole Full Neutral

225	UH502CB	4½ x 10	9	UF145	UFS145	UE145	UH145
400	UH504CB		13	UF145	UFS145	UE145	UH145
600	UH506CB		15	UF145	UFS145	UE145	UH145

## Ventilated 800–5000 Amperes With Ground Bus

Busway Sections Complete					Wall Flange Catalogue Number	Floor Support Catalogue Number	End Closure Catalogue Number	Hangers® Catalogue Number
Ampere Rating <sup>①</sup>		Basic Catalogue Number	Case Dimensions (inches)	Shipping Weight Lb./Ft.				
Edge-wise	Flat-wise							

### 3-Pole

	800	UH308CV	4½ x 10	12	UF145	UFS145	UE145	UH145
1000	1000	UH310CV	4½ x 10	15	UF145	UFS145	UE145	UH145
1200	1000	UH312CV	4½ x 10	16	UF145	UFS145	UE145	UH145
1350	1200	UH313CV	4½ x 10	19	UF145	UFS145	UE145	UH145
1600	1350	UH316CV	5½ x 10	23	UF155	UFS145	UE155	UH155
2000	1600	UH320CV	5½ x 10	26	UF155	UFS145	UE155	UH155
2500	2000	UH325CV	7½ x 10	34	UF175	UFS179	UE175	UH175
3000	2500	UH330CV	9½ x 10	41	UF195	UFS179	UE195	UH195
4000	4000	UH340CV	7½ x 20%	57	UF275	UFS279	UE275	UH275
5000	4500	UH350CV	7½ x 20%	70	UF275	UFS275	UE275	UH275
6000	5000	UH360CV	9½ x 20%	85	UF295	UFS279	UE295	UH295
6500	5500	UH365CV	9½ x 20%	98	UF295	UFS279	UE295	UH295

### 4-Pole Full Neutral

800	800	UH508CV	4½ x 10	14	UF145	UFS145	UE145	UH145
1000	1000	UH510CV	4½ x 10	18	UF145	UFS145	UE145	UH145
1200	1000	UH512CV	4½ x 10	19	UF145	UFS145	UE145	UH145
1350	1200	UH513CV	4½ x 10	23	UF145	UFS145	UE145	UH145
1600	1350	UH516CV	5½ x 10	28	UF155	UFS145	UE155	UH155
2000	1600	UH520CV	5½ x 10	30	UF155	UFS145	UE155	UH155
2500	2000	UH525CV	7½ x 10	42	UF175	UFS179	UE175	UH175
3000	2500	UH530CV	7½ x 10	61	UF195	UFS179	UE195	UH195
4000	4000	UH540CV	7½ x 20%	70	UF275	UFS279	UE275	UH275
5000	4500	UH550CV	7½ x 20%	86	UF275	UFS279	UE275	UH275
6000	5000	UH560CV	9½ x 20%	105	UF295	UFS279	UE295	UH295
6500	5500	UH565CV	9½ x 20%	122	UF295	UFS279	UE295	UH295

### XLU Suffix Table

Description	Suffix
Feeder	F
Plug-in	P
Elbow	L
Tee	T
Cross	X
Switchboard Connection	S
Expansion Section	J
Center Tap Box	M
End Tap Box	B
XFMR Throat	—
XFMR Tap 1-3 Phase	—
XFMR Tap 3-1 Phase	—
Roof Flange	—
Fused Reducer	—
Non Fused Reducer	—

### "M" Rating / Standard Rating Conversion Table

1000/A Square Inch "M" Rating	Standard Rating Equivalent
225	—
400	—
600	800
800	1200
1000	1350
1200	1600
1350	2000
1600	2500
2000	2500
2500	3000
3000	4000
4000	5000

① Ventilated XL-U busway has two ratings; see above for edgewise or flatwise mounting.

② For rod-hanger adapter UJ100 see page 13-80.

#### GENERAL NOTES:

- For inches / millimeters conversion, see Technical Section.
- To form complete catalog number, use basic catalog number and substitute suffix of required item. Example: Basic busway Catalog Number U316CV – accessory switchboard stub with ground bus U316CVSG.
- Totally Enclosed offering is available up to 4000A Cu. Replace "V" with "E" in catalog number.
- The following feeder busway footages apply:  
XL-U Elbow 2' XL-U EXP Section 4'  
XL-U Tee 3' XL-U SWBD Stub 1'  
XL-U Cross 4' XL-U Reducer 4'
- For higher short circuit rating add an "HH" after the "U" (UHH302CBP)
- Floor and ceiling flanges are ordered by description.
- Internal ground bar provided as standard.



- For elbows other than 90°, accessory charge is doubled.
- Switchboard stub includes flange to cover cutout in top of indoor switchboard and 8" of bus inside switchboard. Connecting hardware supplied by switchboard manufacturer.
- Transformer throat connection includes gasketed box sized to match throat plus flexible straps and bolts. No Busway footage is included. For connection to transformers not manufactured by Siemens, consult factory

# Busway Power Distribution

## XL-X®, XL-U®, BD® Plug-In Units

Selection

### Circuit Breaker Plugs

As of June 2014, Siemens no longer supplies a complete solution for Legacy bus plug offerings.

#### Floor Operable

Breaker Type	AC Volts	Ampere Rating	3-Phase, 3-Wire			3-Phase, 4-Wire		
			Enclosure Only <sup>②</sup>			Enclosure Only <sup>②</sup>		
			Catalog Number <sup>②</sup> XL-X	Catalog Number <sup>②</sup> XL-U	Catalog Number <sup>②</sup> BD Plug-In <sup>①②</sup>	Catalog Number <sup>②</sup> XL-X	Catalog Number <sup>②</sup> XL-U	Catalog Number <sup>②</sup> BD Plug-In <sup>①②③</sup>
ED2	240	15-60 70-100	REC3100G	UEC3100G	BEC3100	REC4100G	UEC4100G	BEC4100
ED4	480	15-60 70-100						
ED6	600	15-60 70-100						
FD6, FXD		70-250	RFC3250G	UFC3250G	BFC3250	RFC4250G	UFC4250G	BFC4250

#### I-T-E Fusible Vacu-Break® Switch Plugs Floor-Operable with Line Terminal Protection

Volts	Ampere Rating	3-Phase, 3-Wire					3-Phase, 4-Wire				
		Horsepower Ratings		Catalog Number			Horsepower Ratings, AC		Catalog Number		
		Standard (NEC)	Maximum (Time Delay)	XL-X	XL-U	BD <sup>③</sup> Plug-In <sup>①</sup>	Standard (NEC)	Maximum (Time Delay)	XL-X	XL-U	BD <sup>③</sup> Plug-In <sup>①</sup>
250 AC or 250 DC	30	3	7½	RV321G	UV321G	BOS14321	3	7½	RV421G	UV421G	BOS16421
	60	7½	15	RV322G	UV322G	BOS14322	7½	15	RV422G	UV422G	BOS16422
	100	15	30	RV323G	UV323G	BOS14323	15	30	RV423G	UV423G	BOS16423
	200	25	60	RV324G	UV324G	BOS14324	25	60	RV424G	UV424G	BOS16424
600 AC	30	7½	20	RV361G	UV361G	BOS14351	5	15	RV461G	UV461G	BOS16451
	60	15	50	RV362G	UV362G	BOS14352	15	30	RV462G	UV462G	BOS16452
	100	30	75	RV363G	UV363G	BOS14353	25	60	RV463G	UV463G	BOS16453
	200	60	150	RV364G	UV364G	BOS14354	50	125	RV464G	UV464G	BOS16454

#### Fuse Adapter Kits — RV and UV<sup>④</sup>

Amperage	Class "J" Catalogue Number	Class "T" Catalogue Number	Class "R" Catalogue Number
----------	----------------------------	----------------------------	----------------------------

##### 240V AC/250V DC

30	④	④	W56626
60	④	④	W56628
100	④	TFAK32	W55365
200	④	TFAK42	W55366

##### 600V

30	④	④	W56627
60	④	④	W56629
100	④	TFAK35	W55365
200	④	TFAK45	W55366

#### Field Addable Ground Kits for BD Bus Plugs Fusible

Ampere Rating	Catalogue Number
30-60	W63231
100	W63232
200	W63233

Note: These are for use on busway with internal ground or 600A for copper, capacity must be specified to obtain proper number and arrangement of neutral fingers.

④ Not required.

⑤ Replace " " with "1" or "2".

See Table: BD Bus Plug Catalog Number Ref. shown on Page 13-80.

#### Fuse Adapter Kits — BOS<sup>④</sup>

Amperage	Class "J" Catalogue Number	Class "T" Catalogue Number	Class "R" Catalogue Number
----------	----------------------------	----------------------------	----------------------------

##### 240V AC/250V DC

30	④	④	W56626
60	④	④	W56628
100	W49827	TFAK32	W55365
200	W49819	TFAK42	W55366

##### 600V

30	W49832	④	W56627
60	W49830	④	W56629
100	W49828	TFAK35	W55365
200	W49818	TFAK45	W55366

① Grounding Finger — See table.

② Enclosures available from stock. When ordering circuit breaker bus plugs complete with breaker, factory-installed, allow time for assembly and SPECIFY enclosure frame size, phase and ampere rating. Example: One UEC3100—ED4—3P—70A—factory assembled

③ When BD busway capacity exceeds 400A for aluminum or 600A for copper, capacity must be specified to obtain proper number and arrangement of neutral fingers.

④ Not required.

⑤ Replace " " with "1" or "2". See Table: BD Bus Plug Catalog Number Ref. shown on Page 13-80.

⑥ Class R and Class J Fuse Kits are single unit part numbers. Order (2) kits for dual units. Class T Fuse Kits are single pole part numbers. Order (3) kits for a 3-pole unit.

# Busway Power Distribution

## XL-X®, XL-U® and BD® Plug-In Units and Cubicles

*Selection*

### Shipping Weights – Pounds

#### For Circuit Breaker Bus Plugs Only

Breaker Type	Ampere Rating	3-Phase, 3-Wire				3-Phase, 4-Wire			
		Enclosure Only		Complete Assembly		Enclosure Only		Complete Assembly	
		XL-U XL-X	BD, LO-X	XL-U XL-X	BD, LO-X	XL-U XL-X	BD, LO-X	XL-U XL-X	BD, LO-X
ED2, ED4, ED6	15–100	12	14	13	15	13	15	14	10
FD6, FXD	70–250	1	27	51	37	45	28	55	38

### Shipping Weights – Pounds

#### For Fusible Switch Bus Plugs Only

Switch Ampere Rating	3-Phase, 3-Wire		3-Phase, 4-Wire	
	XL-X XL-U	BD, LO-X	XL-X XL-U	BD, LO-X
	Prefix RV UV	Prefix BOS	Prefix RV UV	Prefix BOS
30,60	17	15	19	12
100	17	18	19	18
200	36	34	38	36

### Fusible and Molded Case Circuit Breaker Cubicles

See page 13-34 for typical configurations.

### BD Bus Plug Catalog Number Reference

Catalog Number	ABD4 Busway						BDP4 Busway							
	225 ABD402	400 ABD404	600 ABD406	800 ABD408	1000 ABD410	1200 ABD412	225 BDP402	400 BDP404	600 BDP406	800 BDP408	1000 BDP410	1350 BDP413	1600 BDP416	
BOS16451	–	–	✓	–	✓	✓	–	–	–	–	–	✓	✓	
BOS16452	–	✓	–	✓	–	–	–	✓	✓	✓	✓	–	–	

As of June 2014, Siemens no longer supplies a complete solution for Legacy bus plug offerings.





tiastar Motor Control Centre



Solid State Starter Class 14



Sirius Contactor 3RT

## Contents

### tiastar™ Motor Control Centre

Overview	14-2
Construction Details	14-3 – 14-4

### Technical

Dimensions and Weights	14-5
Wiring Classifications	14-6
Incoming Cable Space, Wiring Troughs, Wiring Terminations	14-7

### Components Overview

SIRIUS Contactors	14-8
Overload Relays	14-9
SIRIUS Soft Starters	14-10
Variable Frequency Drives	14-11
G120 Modular Converter	14-12
Power Monitoring	14-15
Surge Protective Devices	14-16
Product History	14-22

### Tiastar Type 2 Arc Resistance

14-24 – 14-26

### Tiastar Dynamic Arc Sentry

14-27 – 14-29

### Specification Checklist

14-30 – 14-34

# tiastar™ Motor Control Centres

## Overview of tiastar

Product Overview

### Motor Control Centres at Siemens

Motor control centres (MCC) have come a long way since they were introduced in 1937 as a way to save floor space by placing several starters in a single cabinet. Modern processes and facilities now dictate that motor control centres should display a high level of intelligence as well. They must deliver vital operating information; plus provide automation features, optimal control, and critically fast communications to meet even the most demanding applications. Ideally, the best-of-the-best must also save installation time and money. Siemens MCCs are designed as self-contained modular units. They come with rear-mounted, self-aligning copper stabs that firmly grasp onto the bus. Brackets also guide the placement of wires, further assuring positive engagement with the bus.

#### tiastar MCC

Siemens tiastar MCC is based on the Furnas System/89™ MCC introduced in 1980 and represent the state-of-the-art motor control technology, with a modular, open architecture design. High performance and quality expectations have been researched at the planning stage and throughout the construction stage. The Siemens tiastar MCC has many features and options to meet your specific needs. Requirements such as the standard isolated vertical bus to fully insulated and isolated vertical bus and standard 22mm to 30mm pilot devices.

Heavy gauge steel is used for framing and side panel; sections are separated by 14 gauge steel barriers that are formed to provide rigidity and durability. The modular units implement all the motor protection and control functions, determine operational, diagnostic and statistical data, and organize communications data between the automation system and the motor feeder.

#### tiastar SMART MCC

Siemens tiastar Smart MCC with PROFIBUS-DP Communications combines heavy-duty construction and user friendly features. These intelligent units deliver detailed diagnostics by communicating with starter units, variable frequency drives, reduced voltage soft-start units, circuit breakers, or power meters via PLC/DCS. This means overload relays, linked to the PLCs, can now deliver detailed motor management data at speeds previously unheard of. PROFIBUS-DP, the backbone of the system, greatly simplifies I/O wiring. Also, custom communication options such as PROFINET and Modbus RTU are available.

#### Domestic Design Standards

The following are the principal domestic standards which apply to motor control centre design, testing, construction and application. The tiastar motor control centre complies fully with the latest version of all these standards.

#### NEMA

- AB-1 Molded Case Circuit Breakers
- ICS 1 General Standards for Industrial Control
- ICS 2.3 Industrial Control Systems: Instructions for the Handling, Installation, Operation, and Maintenance of Motor Control Centres
- ICS 18 Standard for motor control centres

#### UL

- 845 Motor Control Centres
- 508 Industrial Control Equipment
- 891 Switchboard Design
- 94 Test for Flammability of Plastic Materials for Parts, Devices, and Appliances
- 489 Molded Case Circuit Breakers and Circuit Breaker Enclosures
- 991 Tests for Safety-related Controls Employing Solid-state Devices

#### CSA 254 Motor Control Centres

#### NFPA – National Fire Protection Association

- 70 National Electrical Code

### Low Voltage Seismic Compliance

Today, strict seismic requirements are not limited to areas prone to earthquakes. Engineers in all locations must be aware of, and comply with, earthquake protection regulations. In addition to construction materials and techniques, these regulations cover non-structural building systems, including electrical components. In critical applications, such as healthcare facilities, these components must be designed to go beyond surviving an earthquake, to remain in operation after the event is over.

At Siemens, we are committed to making it easier for you to comply with all building requirements, including seismic ratings.

Please contact your Siemens representative for complete details on seismic rating compliance for specific products and configurations.

The purpose of this compliance assessment is to document the seismic compliance of tiastar motor control centre to the following building codes:

Building code	Edition
Uniform Building Code (UBC)	1997
BOCA National Building Code (BOCA)	1999
Standard Building Code (SBC)	1999
California Building Code (CBC)	2013
International Building Code (IBC)	2012

Earthquake loading compliance tests (shake tests) were performed at Clarke Dynamic Test Laboratories in accordance with ICC-ES-AC 156 and ASCE 7-10.

#### Notes:

1. tiastar motor control centres are certified to the stringent seismic requirements of California OSHPD (Office of Statewide Health Planning and Development). Approval # OSP-0074-10. For details, refer to: <http://www.oshpd.ca.gov/FDD/Pre-Approval/>.
2. The codes and standards referenced in this document are published by independent organizations, institutes, or agencies. All copyrights and trademarks related to such codes and publications and the use thereof belong to the entities owning rights to the same.
3. These test results indicate third-party analysis of the Siemens product for compliance to the referenced codes and editions. Nothing in this publication should be taken as endorsements, official approvals, or official test results provided by the publishers of the referenced codes or any code enforcement authorities.



# tiastar™ Motor Control Centres

## Construction Details

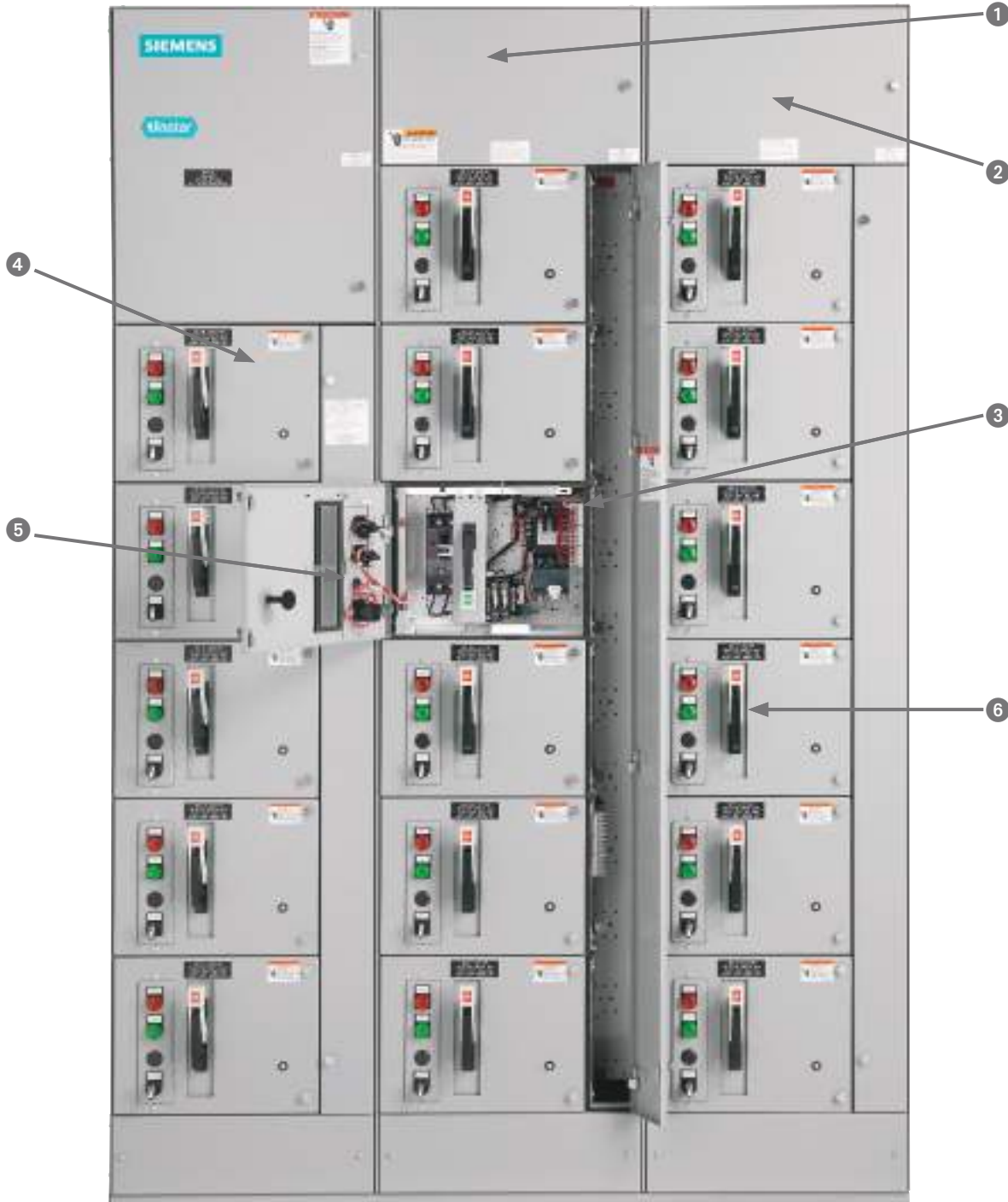
*Product Overview*

### Quality Features Exceed Standards

Siemens tiastar motor control centres are composed of a number of vertical sections bolted together. That allows for future addition of MCC vertical units so the equipment can expand with customer needs. The standard structure is 90 in. (2286 mm) high, plus a 1.125 in.

(29 mm) high channel sill. Front-only structures can be either 15 in. (381 mm) or 20 in. (508 mm) deep. Double deep mounted structures are 30 in. (762 mm) or 40 in. (1016 mm) deep, and consist of two horizontal and vertical buses. This

allows for correct bus phasing on the front or rear. Siemens provides a 21 in. back-to-back design, consisting of a common horizontal and vertical bus structure, for applications where available footprint is limited.



# tiastar™ Motor Control Centres

## Construction Details

## Product Overview

### Features



- 1 Entire horizontal bus assembly is in top 12" of the vertical section



- 4 Isolated and insulated vertical bus assembly (Optional)



- 2 Clear Lexan® horizontal wireway barrier



- 5 Dual location pilot device panel



- 3 Plug-in units with integrated racking handles



- 6 Industry's best unit operating handle

### Important Additional Features:

- All wiring and components meet or exceed the requirements of UL, CSA, NEMA, EEMAC, NEC and CEC
- Pre-wired components are professionally harnessed to industrial terminal blocks
- Full depth wire tie rods are standard in each vertical wireway
- White interior increases visibility for easy wiring, maintenance and inspection
- Modular units are fully interchangeable
- Each tiastar MCC is designed to satisfy your most exacting specifications
- White on black base operating handle is easy to identify



# tiastar™ Motor Control Centres

## Dimensions and Weights

Technical

### Dimensions

<b>Structure</b>		
Height	91.125 in.	(2315 mm)
<b>Front Mounted Only Structure (FO)</b>		
Width	20 in.	(508 mm)
	24 in.	(610 mm)
	30 in.	(762 mm)
	40 in.	(1016 mm)
	50 in.	(1270 mm)
	60 in.	(1524 mm)
Depth	15 in.	(381 mm)
	20 in.	(508 mm)
<b>Back to Back Structure (BTB)</b>		
Width	20 in.	(508 mm)
	30 in.	(762 mm)
Depth	21 in.	(533 mm)
<b>Double Deep MCC</b>		
Depth	31 in.	(787 mm)
	41 in.	(1441 mm)
<b>Vertical Wireway</b>		
Height	72 in.	(1829 mm)
Width	4 in.	(102 mm)
Optional width	8 in.	(203.2 mm)
Depth	10 in.	(254 mm)
Cross Section	38.25 sq. in.	(972 sq. mm)
With Opt width	76.50 sq. in.	(1943 sq. mm)
<b>Top Horizontal Wireway</b>		
Height	12 in.	(305 mm)
Depth	7 in.	(178 mm)
<b>Bottom Horizontal Wireway</b>		
Height	6 in.	(152 mm)
Depth	15 in.	(381 mm)
	20 in.	(508 mm)
	30 in.*	(762 mm)*
	40 in.*	(1016 mm)*
<b>* BTB</b>		
<b>Enclosure Types</b>		
NEMA 1		Indoor
NEMA 1A	Gasketed	Indoor
NEMA 2	Drip proof	Indoor
NEMA 12	Dust tight	Indoor
NEMA 3R	Rainproof	Outdoor (Non walk-in)
<b>Pull Box (Top Hat)</b>		
Height	12 in.	
	18 in.	
	24 in.	
Width	20 in.	
	30 in.	
Depth	15 in.	
	20 in.	

### Structural Gauge Chart

<b>Structural Parts</b>	
Divider Sheets	14 ga.
Side Sheets	14 ga.
Centre Bottom Cross Ties	12 ga.
Rear Channel (FO)	13 ga.
Channel Sills	7 ga.
Centre-Top Channel	13 ga.
Vertical Bus Mounting Angles	14 ga.
Lifting Angles	7 ga.
Rear Covers	16 ga.
Top Plates	13 ga.
End Covers	16 ga.
Separator Angles	12 ga.
Shelf Brackets	10 ga.
<b>Unit Parts</b>	
Top and Bottom Unit Barriers	14 ga.
Back Pan	13 ga. 14 ga.
Side Barrier Plate	18 ga.
Angles	14 ga.
Doors	13 ga. 14 ga.
<b>Finish (Ext.)</b>	
ANSI 61 Light Gray	
Electrostatically applied TGIC-free polyester powder in standard.	

### Bus

<b>Horizontal Bus (A)</b>	600A	Cu
	800A	Cu
	1200A	Cu
	1600A	Cu
	2000A	Cu
	2500A*	Cu *NEMA 1 only
	600A	Al
	800A	Al
	1200	Al
	<b>Vertical Bus (A)</b>	300A
	600A	Cu
	800A	Cu
<b>Neutral Bus (Bottom Mounted) (A)</b>	600A	Cu
	800A	Cu
	1200A	Cu
	1600A	Cu
Options	Full Neutral Cu Neutral Landing Pad	
Bus Bracing (KA Sym)	42KA 65KA 100KA*	* Cu Only
<b>Barriers</b>		
Isolation Barrier	Grounded sheet steel with stab openings	
Insulated & Isolated Barrier	Glass filled polyester sandwich that isolates and insulates each phase from the others and the bus from the front and rear compartments	
Removable covers	Inserts to cover unused openings in V-bus barrier	
Automatic shutter mechanism	Option available for the stab in location of each plug-in unit and requested future space. Standard in Arc Resistant MCCs.	
<b>Ground Bus</b>		
Horizontal (Bottom Mounted) (A) Required for UL labeling	300A	Cu
	600A	Cu
	600A	Al
Vertical (A)*	300A	Cu
* Available with motor ground terminations		
<b>Plating</b>		
All power bus, tin plated is Standard		
Silver plating available by request (Cu only)		
<b>Incoming Line Terminations</b>		
Incoming line arrangements are available in many configurations from 600A to 2000A		

### Weight Table

Dimensions Inches (mm)				Shipping weight for NEMA 1, 2, and 12	Weights per Section in lbs (Kg) for NEMA 3R
H	W	D	Type		
91.125 (2315)	20 (508)	15 (381)	FO	550 (250)	650 (295)
	20 (508)	20 (508)	FO	650 (295)	700 (318)
	30 (762)	15 (381)	FO	700 (318)	800 (363)
	30 (762)	20 (508)	FO	850 (386)	900 (409)
	20 (508)	21 (533)	BTB	670 (304)	N/A
	30 (762)	21 (533)	BTB	880 (400)	N/A

### Wiring Specifications

Control on Units	16 ga. copper	
	105°C	
	600V	
Interconnection control wiring between Units	14 ga. copper	
	105°C	
	600V	
Power wiring--Sized to suit maximum HP rating of unit	14 ga. to 2 ga. copper	105°C
		600V
	1 ga. to 500 kcmil copper	105°C
		600V

# tiastar™ Motor Control Centres

## Wiring Classifications

Technical

Siemens MCC's are available as either Class I or Class II assemblies utilizing either Type A, Type B, or Type C wiring as defined in NEMA ICS18-2001. Below are the NEMA class and type definitions:

### Class I — Independent Units

Class I motor control centres shall consist of mechanical groupings of combination motor control units, feeder tap units, other units, and electrical devices arranged in a convenient assembly. The manufacturer shall furnish drawings that include:

- a. Overall dimensions of the motor control centre, identification of units and their location in the motor control centre, locations of incoming line terminals, mounting dimensions, available conduit entrance areas, and the location of the master terminal board if required (Type C wiring only).
- b. Manufacturer's standard diagrams for individual units and master terminal boards (Type C wiring only) consist of one or more drawing(s) that:

1. Identify electrical devices.
2. Indicate electrical connections.
3. Indicate terminal numbering designations.

**Note:** When a combination schematic and / or wiring diagram for a unit is supplied showing optional devices, the manufacturer shall provide information to indicate which devices are actually furnished.

### Class II — Interconnected Units

Class II motor control centres shall be the same as Class I motor control centres with the addition of manufacturer furnished electrical interlocking and wiring between units as specified in overall control system diagrams supplied by the purchaser. In addition to the drawings furnished for Class I motor control centres, the manufacturer shall furnish drawings that indicate factory interconnections within the motor control centre.

### Class I-S and II-S — Motor Control Centres With Custom Drawing Requirements

Class I-S and II-S motor control centres shall be the same as Class I and II except custom drawings shall be provided in lieu of standard drawings as specified by the user. Examples of custom drawings are:

- Special identifications for electrical devices
- Special terminal numbering designations
- Special sizes of drawings

The drawings supplied by the manufacturer shall convey the same information as drawings provided with Class I and II motor control centres, additionally modified as specified by the user.

### Types of Wiring

#### Type A

User field wiring shall connect directly to device terminals internal to the unit and shall be provided only on Class I motor control centres.

#### Type B

a. Type B user field load wiring for combination motor control units size 3 or smaller shall be designated as B-D or B-T, according to the following:

- B-D connects directly to the device terminals, which are located immediately adjacent and readily accessible to the vertical wireway.
- B-T connects directly to a **load** terminal block in, or adjacent to, the unit.

b. Type B user field load wiring for combination motor control units larger than size 3, and for feeder tap units, shall connect directly to unit device terminals.

c. Type B user field **control** wiring shall connect directly to unit terminal block(s) located in, or adjacent to, each combination motor control unit.

#### Type C

User field control wiring shall connect directly to master terminal blocks mounted at the top or bottom of those vertical sections that contain combination motor control units or control assemblies which shall be factory wired to their master terminal blocks. User field load wiring for combination motor control units, size 3 or smaller, shall connect directly to master terminal blocks mounted at the top or bottom of vertical sections. Motor control unit load wiring shall be factory wired to the master terminal blocks. User field load wiring for combination motor control units larger than size 3, and for feeder tap units, shall connect directly to unit device terminals.

#### Type A

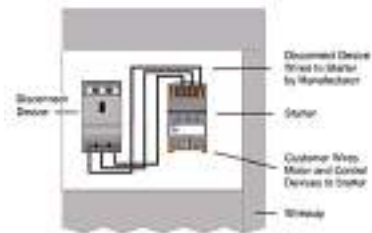


Figure 1. Class I, Type A Wiring

#### Type B

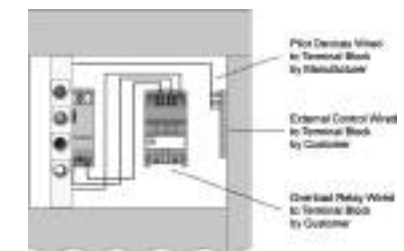


Figure 2. Class I, Type B-d Wiring

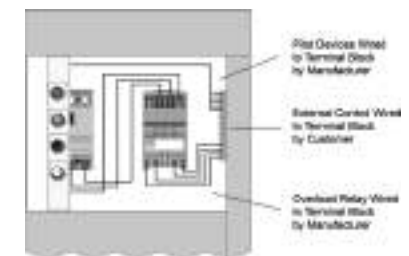


Figure 3. Class I, Type B-t Wiring

#### Type C

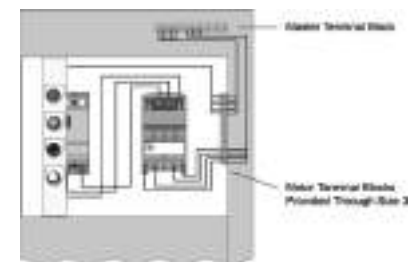


Figure 4. Class I, Type C Wiring

# tiastar™ Motor Control Centres

## Incoming Cable Space, Wiring Troughs, Wiring Terminations

Technical

CSA 22.2 No 254-05 and

CSA 22.2 No. 0.12-M1985 (R2003)

Wiring Space and Wire Bending Space in Enclosure of Equipment Rated 750V or Less  
The National Electrical Code establishes very specific guidelines for minimum cable bending space within motor control centres. Figures 1 through 5 below describe the most common arrangements for terminating main incoming power cables in the MCC. Consult Siemens for incoming line compartment braced for 100,000 amperes symmetrical, short circuit.

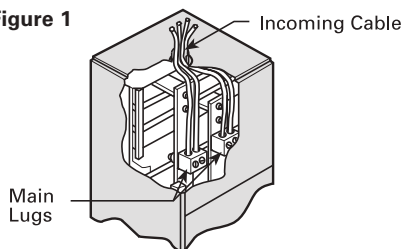
### Incoming Cable Space

Description of Incoming Service	Top or Bottom Incoming Section	Cable Entry Top or Bottom	Space Requirements in Inches (mm)	Notes
≤ 350 kcmil Two per Phase	Top — Directly on Main Bus	Either	None	See Figure 3
≤ 600 kcmil One or Two per Phase	Top	Either	Top Wireway plus 12.0 (305) or 18.0 (457)	See Figure 1
≤ 600 kcmil Three or Four per Phase	Top	Top	Top Wireway plus 18.0 (457)	See Figure 1
750 kcmil One or Two per Phase	Top	Top	Top Wireway plus 24.0 (607)	—
350 kcmil One or Two per Phase	Bottom	Bottom	Bottom Wireway plus 18.0 (457)	600 A Maximum See Figure 2
≤ 600 kcmil One or Two per Phase	Bottom	Bottom	Bottom Wireway plus 24.0 (610)	600 A Maximum See Figure 2
≤ 750 kcmil, up to eight per phase	Top or Bottom	Either	Full Structure	Consult Siemens
≤ 500 kcmil One or Two per Phase ≤ 750 kcmil One per Phase to Main Breaker	Top	Bottom	See Breaker / Disconnect	See Figure 4
≤ 500 kcmil One to Four per Phase ≤ 750 kcmil One per Phase to Main Breaker	Top	Top	See Breaker / Disconnect	See Figure 5
Busway or Cable Feed to Line Reactor	Top or Bottom	Either	Consult Siemens	Consult Siemens

Siemens MCC's are equipped with a 12 in. (305 mm) high, full-width horizontal wireway in the top and 6 in. (152 mm) in the bottom of each structure. A separate vertical wireway connects the top and bottom wiring areas in each vertical section. This wireway is 4 in. (102 mm) wide by 10 in. (254 mm) deep.

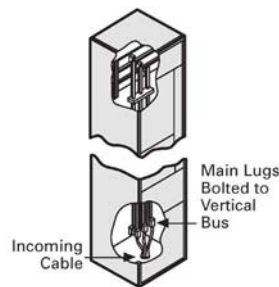
**Note:** All standard Siemens termination schemes shown herein do comply with applicable cable bending requirements of UL and the NEC.

Figure 1



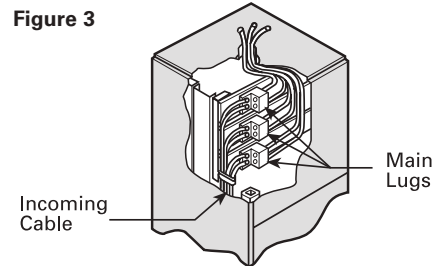
**Main Lugs at Top with Top Cable Entry**  
Can accommodate up to two 600 kcmil cables per phase when using Siemens standard mechanical lugs. A total height of 24 in. (610 mm). This includes 12 in. (305 mm) for the top wireway plus 12 in. (305mm) of unit space. Compression lugs require extra vertical space or the addition of a top hat.

Figure 2



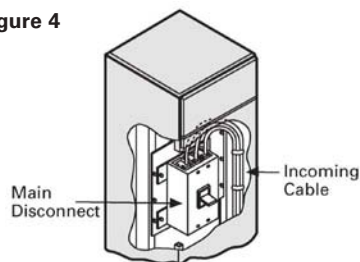
**Main Lugs at Bottom with Bottom Cable Entry**  
Lugs are bolted directly to the bottom of the vertical bus. Can accommodate up to two 350 kcmil per phase in 24 in. (610 mm) high compartment. This includes 6 in. (152 mm) for the bottom wireway plus 18 in. (457 mm) of unit space. Can accommodate up to two 600 kcmil per phase in 30 in. (762 mm) high compartment. This includes 6 in. (152 mm) for the bottom wireway plus 24 in. (610 mm) of unit space.

Figure 3



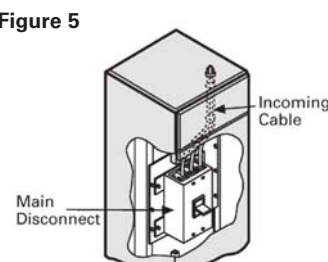
**Main Lugs at Top with Top or Bottom Cable Entry**  
In this arrangement the lugs mount directly on the horizontal bus, eliminating the need to use unit mounting space. The limitation here is 350 kcmil cable per phase.

Figure 4



Main Disconnect with Bottom Cable Entry

Figure 5



Main Disconnect with Top Cable Entry

If bottom entry is used, cables must be properly laced and supported based upon the available short circuit current. See dimensional requirements for molded case breakers and fused switches, consult local sales office.



# tiastar™ Motor Control Centres

## Heavy Duty Starters

Components Overview

### Heavy Duty Starters

Size 00–4 magnetic starters include the following standard features:

- Rugged Industrial Design
- Half Sizes for Cost and Space Savings
- Dual Voltage, Dual Frequency Coils
- Solid State or Ambient Compensated Bimetal Overload Protection
- Wide Range of Accessories
- Easy Coil Access
- Overload Test Feature
- Straight Thru Wiring
- Gravity Dropout
- Large Silver Cadmium Contacts
- UL listed file #E14900 (class 14, 22, 30, 40 & 43)
- CSA certified file #LR 6535 (class 14, 22, 30, 40 & 43)



**Solid State Starter Class 14**

### Application

Heavy Duty starters are designed for across the line starting of single phase and polyphase motors.

These controls are available in NEMA Sizes 00 through 8. In addition to the usual NEMA Starter Sizes, Siemens offers three exclusive Half Sizes; 1¾, 2½ and 3½. These integral sizes offer the same rugged, industrial construction as our NEMA Sizes and ensure efficient operating performance. Half Sizes provide a real cost savings by cutting down on over capacity when NEMA Sizes exceed the motor ratings. All Siemens Heavy Duty controls, including our popular Half Sizes comply with applicable NEMA and UL tests.

### SIRIUS INNOVATION



**Sirius Contactor 3RT**

### SIRIUS Contactors

SIRIUS high-performance NEMA contactors offer a high degree of protection while offering reduced mounting space.

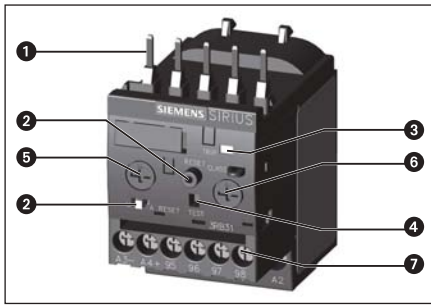
- CSA certified file #165071

All starters are supplied with a NO holding interlock that in conjunction with an appropriate pilot device will provide low voltage protection or release.

NEMA starters are ideal for applications requiring dependability and durability. Typical applications include use with machine tools, air conditioning equipment, material handling equipment, compressors, hoists and various production and industrial equipment as well as in demanding automotive applications.

# tiastar™ Motor Control Centres

## Overload Relays



**1 Connection for mounting onto contactors:**

Optimally adapted in electrical, mechanical and design terms to the contactors. The overload relay can be connected directly to these contactor using these pins. Stand-alone installation is possible as an alternative (in conjunction with a terminal bracket for stand-alone installation).

**2 Selector switch for manual/automatic RESET and RESET button:**

With this switch you can choose between manual and automatic RESET. A device set to manual RESET can be reset locally by pressing the RESET button. On the 3RB21 a solid-state remote is integrated into the unit.

**3 Switch position indicator and TEST function of the wiring:**

Indicates a trip and enables the wiring test.

**4 Solid state test:**

Enables a test of all important device components and functions.

**5 Motor current setting:**

Setting the device to the rated motor current is easy with the large rotary knob.

**6 Trip class setting/internal ground-fault detection (3RB21 only):**

Using the rotary switch you can set the required trip class and activate the internal ground-fault detection dependent on the starting conditions.

**7 Connecting terminals (removable terminal block for auxiliary circuits):**

The generously sized terminals permit connection of two conductors auxiliary circuit can be connected with screw-type terminals or with spring-loaded terminals.

The 3RB and 3RB solid-state overload relays up to 630 A with internal power supply have been designed for inverse-time delayed protection of loads with normal and heavy starting (see Function) against excessive temperature rise due to overload, phase unbalance or phase failure. An overload, phase unbalance or phase fail-

ure result in an increase of the motor current beyond the set motor rated current. This current rise is detected by the current transformers integrated into the devices and evaluated by corresponding solid-state circuits which then output a pulse to the auxiliary contacts. The auxiliary contacts then switch off the load by means of the contactors control circuit. The break time depends on the ratio between the tripping current and set current  $I_e$  and is stored in the form of a long-term stable tripping characteristic (see Characteristic Curves).

In addition to inverse-time delayed protection of loads against excessive temperature rise due to overload, phase unbalance and phase failure, the 3RB21/31 solid-state overload relays also allow internal ground-fault detection (not possible in conjunction with wye-delta assemblies). This provides protection of loads against high-resistance short-circuits due to damage to the insulation material, moisture, condensed water etc.

The "tripped" status is signaled by means of a switch position indicator (see Function). Resetting takes place either manually or automatically after the recovery time has elapsed (see Function).



ESP200 Solid State Overload

### ESP200 Solid State Overloads

Designed for a wide variety of applications. The field selectable Trip Class 5, 10, 20 or 30 can easily be set by 2 DIP switches. This eliminates the guess factor of an application requirements and provides reduced inventory for multiple applications. The inherent benefits of the ESP200 ultimately results in cost savings for the user.

ESP200 has a 4:1 current adjustment range with a fine adjustment dial labeled in full load amps. The heaterless overload minimizes the heat trapped in the enclosures, reduces cost for ventilation or cooling. Easily accessible Reset button, provides visible and audible indications to ensure the tripped overload is ready to re-start.

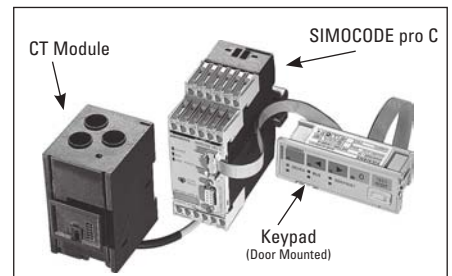
Designed to replace thermal, or ESP100 overload relays for any application. It has the same dimensions and footprint of the ESP100 overload relays. It can be directly

coupled to the contactors or remotely mounted. In addition to the NEMA contactor applications, it also can be used with other types of controllers for applications requiring DP or IEC contactors. As a retrofit for other brands, it is used with a plate available for retrofitting competitive products.

### SIMOCODE pro

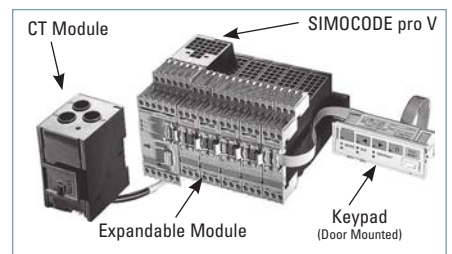
SIMOCODE pro is the latest generation of Motor Management System ("Smart Overload") bringing a new level of flexibility and functionality within the Siemens smart motor control centre. By means of a PROFIBUS DP interface, it can easily be linked to higher-level automation systems. SIMOCODE pro implements all motor protection and control functions, determines operational, diagnostic and statistical data and organizes the communication between the automation system and MCC bucket.

The SIMOCODE pro consists of two device series with different levels of functionality:



### SIMOCODE pro C (Compact)

The compact motor management system can be used for Full Voltage Non-reversing (FVNR) starters, Full Voltage Reversing (FVR) starters, and base overload functionality.



### SIMOCODE pro V (Variable)

The variable motor management system has an even greater range of functions, including voltage and power monitoring and expandable modules for additional I/O, as well as temperature and ground fault protection.

**Note:** For detailed information on the SIMODE pro please contact the local Siemens Sales Office.

# tiastar™ Motor Control Centres

## SIRIUS Soft Starters

## Components Overview

### SIRIUS Soft Starters

#### Overview

The advantages of the SIRIUS soft starters at a glance:

- Soft starting and soft stop
- Stepless starting
- Reduction of current peaks
- Avoidance of mains voltage fluctuations during starting
- Reduced load on the power supply network
- Reduction of the mechanical load in the operating mechanism
- Considerable space savings and reduced wiring compared with mechanical reduced voltage starters
- Maintenance-free switching
- Fits perfectly in the SIRIUS modular system

#### SIRIUS 3RW40

SIRIUS 3RW40 soft starters include soft start and soft stop, and internal bypass. At the same time they come with additional functions, i.e. selectable solid-state motor overload, intrinsic device protection and adjustable current limiting, as well as a new patented two-phase control method (Polarity Balancing) that is unique in this rating range.

SIRIUS 3RW40 soft starters are part of the SIRIUS modular system. This results in advantages such as identical sizes and a uniform connection system. Thanks to their particularly compact design, SIRIUS 3RW40 soft starters are only half as big as comparable wye-delta starters. Hence they can be mounted in compact space requirements in the control cabinet. Configuring and installation are carried out quickly and easily thanks to the 3-wire connection.

SIRIUS 3RW40 for three-phase motors Soft starters rated up to 300 Hp (at 460 V) for standard applications in three-phase power systems. Extremely small sizes, low power losses and simple commissioning are just three of the many advantages of the SIRIUS 3RW40 soft starters.

#### Applicable standards

- IEC 60947-2
- UL/CSA #E143112



#### Application areas

- Fans
- Pumps
- Building/construction machines
- Presses
- Escalators
- Transport systems
- Air conditioning systems
- Ventilators
- Assembly lines
- Operating mechanisms

#### SIRIUS 3RW44

In addition to soft starting and soft stopping, the solid-state SIRIUS 3RW44 soft starters provide numerous functions for higher-level requirements. They cover a rating range up to 800Hp at 460 V in the inline circuit.

The SIRIUS 3RW44 soft starters are characterized by a compact design for space-saving and clearly arranged control cabinet layouts. For optimized motor starting and stopping, the innovative SIRIUS 3RW44 soft starters are an attractive alternative with considerable savings potential compared to applications with a frequency converter. The new torque control and adjustable current limiting enable these high feature soft starters to be used in nearly every conceivable task. They reliably mitigate the sudden torque applications and current peaks during motor starting and stopping. This creates savings potential when calculating the size of the control-gear and when servicing the machinery installed. Be it for inline circuits or inside-

delta circuits – the SIRIUS 3RW44 soft starter offers savings especially in terms of size and equipment costs.

Combinations of various starting, operating and ramp-down possibilities ensure an optimum adaptation to the application specific requirements. Operating and commissioning can be performed by means of the user-friendly keypad and a menu prompted, multi-line graphic display with background lighting. The optimized motor ramp-up and ramp-down can be effected by means of just a few settings with a previously selected language. Four-key operation and plain-text displays for each menu point guarantee full clarity at every moment of the parameterization and operation.

#### Applicable standards

- IEC 60947-4-2
- UL/CSA #E143112

#### Application areas, e.g.

- Pumps
- Mills
- Ventilators
- Saws
- Compressors
- Crushers
- Water transport
- Mixers
- Conveying systems and lifts
- Centrifuges
- Hydraulics
- Industrial cooling and refrigerating systems



## MICROMASTER 440


### Application

The MICROMASTER 440 inverter is suitable for a variety of variable-speed drive applications. Its flexibility provides for a wide spectrum of applications. These also include cranes and hoisting gear, high-bay warehouses, production machines for food, beverages and tobacco, packaging machines etc.; i.e. applications which require the frequency inverter to have a higher functionality and dynamic response than usual. The inverter is especially characterized by its customer-oriented performance and ease of use. Its large mains voltage range enables it to be used all over the world.

### Design

The MICROMASTER 440 inverter has a modular design. The operator panels and modules can be easily exchanged.

### International standards

- The MICROMASTER 440 inverter complies with the requirements of the EU low voltage guideline
- The MICROMASTER 440 inverter has the **CE** marking
- acc. to **UL** and **cUL** certified
- **c-tick** 

### Main characteristics

- Easy, guided start-up
- Modular construction allows maximum configuration flexibility
- Six programmable isolated digital inputs
- Two scaleable analog inputs (0 V to 10 V, 0 mA to 20 mA) can also be used as a 7th/8th digital input
- Two programmable analog outputs (0 mA to 20 mA)
- Three programmable relay outputs (30 V DC/5 A resistive load; 250 V AC/2A inductive load)
- Low-noise motor operation thanks to high pulse frequencies, adjustable (observe derating if necessary)
- Complete protection for motor and inverter.

### Options (overview)

- EMC filter, Class A/B
- LC filter and sinusoidal filter
- Line commutating chokes
- Output chokes
- Gland plates
- Basic Operator Panel (BOP) for parameterizing the inverter
- Plain text Advanced Operator Panel (AOP) with multi-language display
- Communication modules
  - PROFIBUS
  - DeviceNet
  - CANopen
- Pulse encoder evaluation module
- PC connection kits
- Mounting kits for installing the operator panels in the control cabinet doors
- PC start-up tools executable under Windows 98 and NT/2000/ME/XP Professional
- TIA integration with Drive ES



# tiastar™ Motor Control Centres

## G120 Modular Converter

Components Overview

### SINAMICS G120C (480V)<sup>①</sup>

SINAMICS G120C has been especially designed for an economic, space-saving and easy-to-operate frequency converter providing a multitude of functions. This device combines in particular compactness with superior power density and is characterized by fast installation and commissioning.

#### Smallest size

- Compact design (integrated braking chopper)
- Fast mechanical installation (i.e. pluggable terminals)

#### Easy to use

- Simple, optimized commissioning with the STARTER tool
- Effective, adequate parameter set (simple storing and cloning functions using IOP, BOP-2 or SD card)
- Usable with IOP or BOP-2 operator panels

#### Leading edge technology

- Energy-efficient, encoder-less vector control - automatic flow reduction with V/F ECO
- Safety Integrated (Safe Torque Off)
- Communication PROFIBUS DP, PROFINET, CAN and USS/ Modbus RTU

#### Application

For industrial and commercial applications (secondary drive in production machines or generally for water/waste water, automotive). Application examples include mixers, extruders, simple pumps, fans, compressors, vibrator motors, simple wire drawing machines.



#### Design

SINAMICS G120C is a compact inverter where the Control Unit (CU) and Power Module (PM) function units are combined in one device. SINAMICS G120C can be integrated into the widest range of applications, either using the integrated digital and analog inputs or via the integrated fieldbus interface (available in the USS/ Modbus RTU, PROFINET, PROFIBUS DP, CANopen versions). Especially the product versions with integrated PROFIBUS DP or Profinet interface make full integration into the Siemens TIA family possible, therefore allowing the advantages of the seamless TIA product family to be fully utilized. SINAMICS G120C devices are preset in the factory so that they can be immediately connected to PROFIBUS DP or Profinet fieldbuses and used without parameterization.

<sup>①</sup> For other Voltage ratings, consult Siemens.

# tiastar™ Motor Control Centres

## G120 Modular Converters

Product Overview

### SINAMICS G120 (480V)®

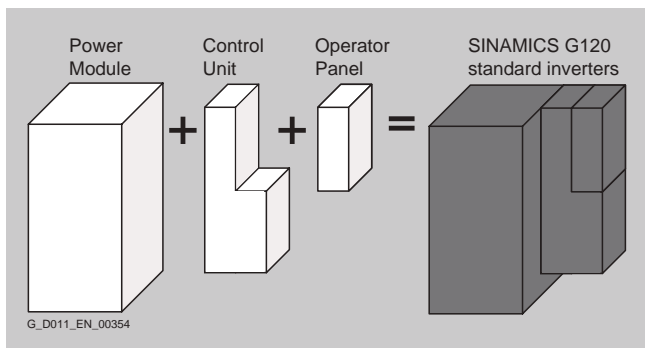
SINAMICS G120 is a modular drive inverter system that comprises various function units. These are essentially: Control Unit (CU) and Power Module (PM). The CU controls and monitors the PM and the connected motor in several operating modes that can be selected. It supports communication with a local or central controller and monitoring devices.

- **With many innovative functions**  
Safety Integrated for safety-relevant machines and systems, capable of regenerative feedback into the line supply for energy saving
- **Fast commissioning**  
STARTER tool and data backup using the BOP-2, IOP or MMC/SD card
- **Efficient and consistent solutions**  
via Totally Integrated Automation (TIA), consistency from SINAMICS through to the automation level

### Application

Machines and plants in industrial and commercial applications (machinery construction, automotive, textiles, chemical industry, printing, steel). Application examples include: Pumps and fans, Compressors, Centrifuges, Conveyor systems.

### Design

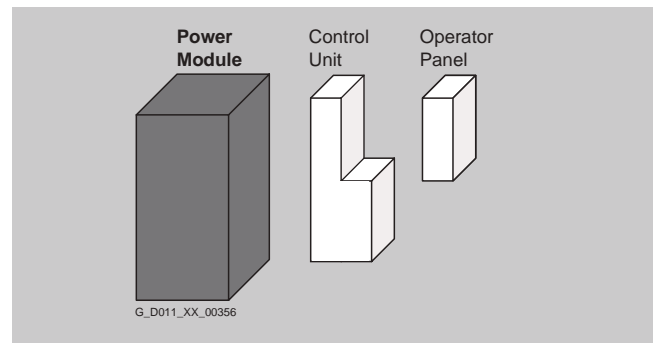


### Application-oriented design of SINAMICS G120

SINAMICS G120 standard inverters are modular inverters for standard drives. Selection of the SINAMICS G120 is reduced to two or three steps thanks to the modular system used.



### Selecting the Power Module



### PM240 Power Modules

PM240 Power Modules are suitable for many applications. The PM240 has an integrated braking chopper in frame sizes FSA up to FSF and has the possibility of connecting a braking resistor. For frame size FSGX, an optional pluggable braking module can be ordered.

### PM250 Power Modules

PM250 power modules are suitable for the same applications as the PM240, but they are specialized to address conveyor-related applications - where the braking energy is directly fed back into the line supply using the unique technology of Efficient Infeed Technology. This feature provides the ability to feed energy back into the supply system in the generator mode (electronic braking) so that the energy is not wasted in a braking resistor.

® For other Voltage ratings, consult Siemens.

# tiastar™ Motor Control Centres

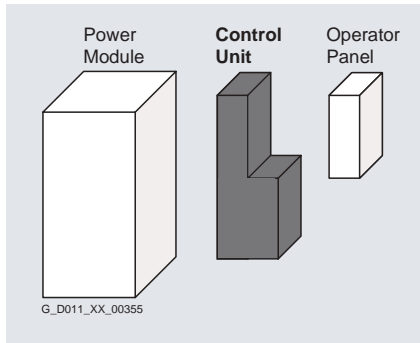
## G120 Modular Converter

Components Overview

### SINAMICS G120 (cont.)

#### Selecting the Control Unit

The optimum Control Unit is selected, based on the number of I/Os and any additional functions required such as Safety Integrated or HVAC. The communication options are already integrated and do not have to be additionally ordered or plugged in. Three product series are available corresponding to the particular application.



#### CU230 Control Units

The CU230 Control Units have been specifically designed for pump, fan and compressor applications.

#### CU240 Control Units

The CU240 Control Units are suitable for a wide range of applications in a general machine construction, such as conveyor belts, mixers and extruders.

#### CU250 Control Units

The CU250 Control Unit is particularly suited for drives with high requirements in speed and torque accuracy.

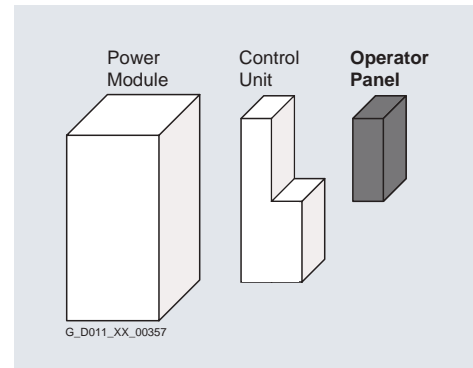
#### Selecting Optional System Components

##### Intelligent Operator Panel IOP

Graphic display with bar-type diagrams, e.g. for status values such as pressure or flow rate.

##### Basic Operator Panel BOP-2

Menu navigation and 2-line display permit fast and user-friendly commissioning of the inverter. Simple basic commissioning by simultaneously displaying parameter value, as well as the option of filtering parameters.





# tiastar™ Motor Control Centres

## Power Monitoring

## Components Overview

### Power Monitoring

Siemens line of power meters provides market leading technology for power quality measurement. These products continually change to meet growing needs for power quality and energy monitoring. Siemens tiastar MCCs are fully capable of installing any of Siemens power meters for your needs.



PAC3200



PAC4200

### PAC3100

The **SETRON PAC3100** is a powerful compact power monitoring device that is suitable for use in industrial, government and commercial applications, where basic metering and energy monitoring is required. The meter may be used as a stand alone device monitoring over 25 parameters or as part of an industrial control, building automation or global power monitoring system. Metering and monitoring applications range from simple analog volt and amp meter replacements to stand-alone sub-billing or cost allocation installations.

The PAC3100 has many features not usually found in this price class of meters. A large graphical display supports multiple languages and easy to use menus that can be used to set up the meter. The meter also has built in Modbus RTU communications via a RS485 interface. The meter comes standard with two digital inputs and outputs. One output is suitable for pulse output for export/import real and reactive energy. The other output is controllable from an outside source by way of a Modbus register.

### PAC3200

The **SETRON PAC3200** is a powerful compact power monitoring device that is suitable for use in industrial, government and commercial applications where basic metering and energy monitoring is required. The meter may be used as a stand alone device monitoring over 50 parameters or as part of an industrial control, building automation or global power monitoring system. Metering and monitoring applications range from simple analog volt and amp meter replacements to stand-alone sub billing or cost allocation installations with multiple tariffs.

The SENTRON PAC3200 provides open communications using Modbus RTU/TCP, PROFIBUS-DP, and PROFINET protocols for easy integration into any local or remote monitoring system. Simple configuration of the meter can be done from the front display.

### PAC4200

The **SETRON PAC4200** is a feature packed power monitoring device that is suitable for use in industrial, government and commercial applications where basic to advanced metering, logging, and I/O is required. The meter may be used as a stand alone device monitoring over 200 parameters or as part of an industrial control, building automation or global enterprise wide monitoring system.

Advanced power quality monitoring and logging applications range from single low voltage breaker / building metering to sub-station main feeder monitoring, sub-billing or cost allocation installations with multiple tariffs. Whether your goal is to reduce operation cost, reduce your carbon footprint or to maintain your power assets, the PAC 4200 meter should be an important part of your power monitoring system.

The SENTRON PAC4200 provides open communication using the standard built-in Ethernet Modbus TCP and has the capability of communicating through Optional Modbus RTU, PROFIBUS-DP, and PROFINET protocol modules simultaneously. This allows for easy integration into any local or remote monitoring system. The gateway functionality of this device reduces installation cost by replacing other gateway devices and simplifying wiring.

# tiastar™ Motor Control Centres

## TPS3 Family of Hardwired Surge Protective Devices

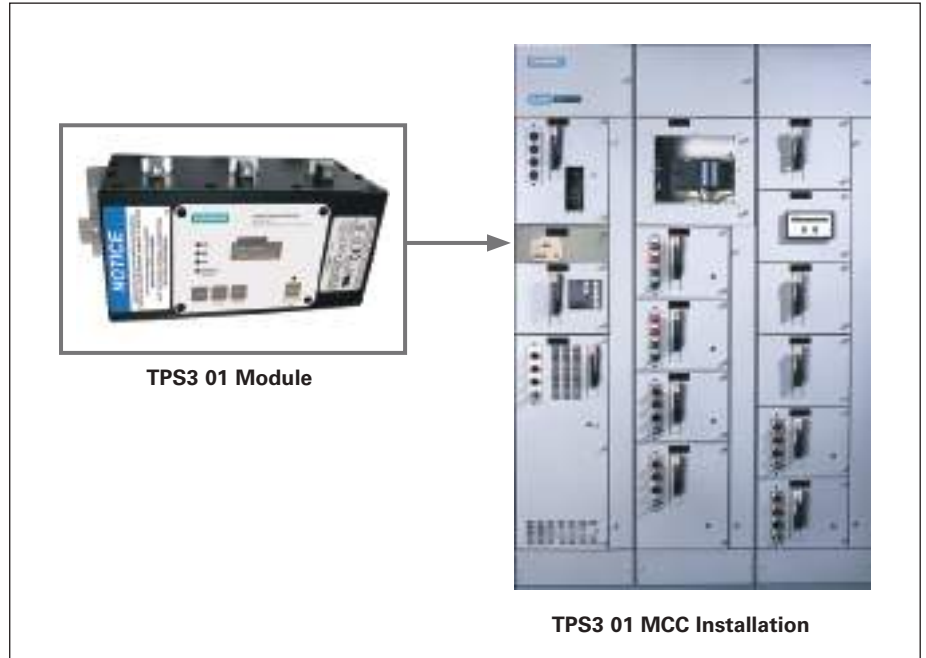
Product Overview

### TPS3 Integral or Internally Mounted SPDs for MCCs

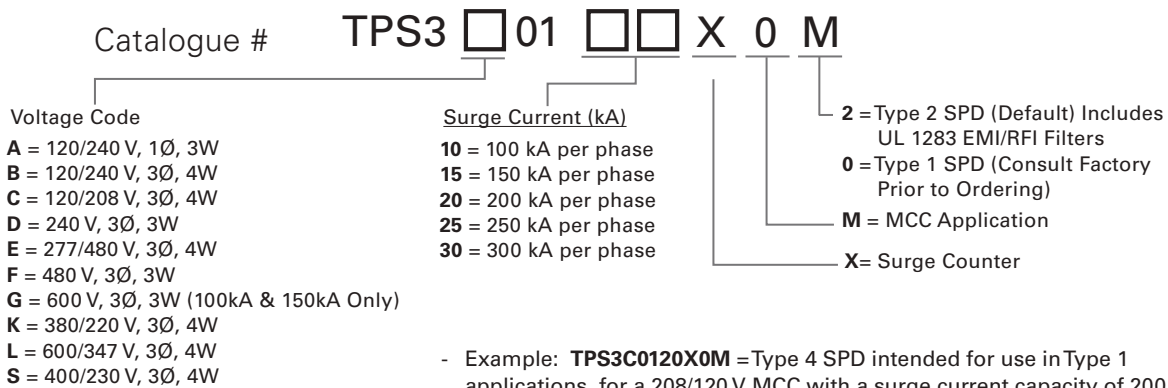
Siemens Integral TPS3s are UL 1449 4th Edition, factory installed SPDs within our MCCs, utilizing optimal electrical system connections to minimize impedance losses. This results in the some of the industry's best "installed" Voltage Protection Ratings. This SPD has the following features:

#### TPS3 01 Features

- UL 1449 4th Edition and UL 1283
- UL 1449-4 Type 2 SPD, UL 1283 Listed, CSA 22.2 No. 269.2, Optional UL 1449 4th Edition Recognized Type 1, CSA 22.2
- 20 kA  $I_n$  (most models)
- 200 kA SCCR (most models)
- UL96A Lightning Protection Master Label Compliant
- 100 –300 kA surge current capacity per phase
- EMI/RFI filtering or Sine Wave tracking
- Standard Monitoring –LEDs, audible alarm, dry contacts, surge counter, and ground references monitoring (GRM) diagnostics.
- 10 year product warranty



### Ordering Information



*Please consult the factory for applications requiring SPDs with larger per phase surge current capacities and/or 10-mode style configurations.*

- Example: **TPS3C0120X0M** = Type 4 SPD intended for use in Type 1 applications, for a 208/120 V MCC with a surge current capacity of 200 kA per phase and a surge counter option
- When an option is not selected, include a **zero (0)** in the field
- Available Accessory: Ordered Separately  
**RMSIE** = Remote monitor

# tiastar™ Motor Control Centres

## Starter Ratings and Dimensions

Selection

### MCC Starter Ratings and Dimensions

NEMA Size	Maximum Horsepower Rating						Circuit Breaker Type (For Maximum HP at 460V)			Fusible Type (For Maximum HP at 460V)		
							MCP Frame Size (Amp)	Dimensions in inches (mm) Unit Height <sup>①</sup> W= Width, D= Depth	kA Interrupting Rating at 480V <sup>②③</sup>	Standard Disconnect Sw/Fuse Clip Sizes	Dimensions in inches (mm) Unit Height <sup>①</sup> W= Width, D= Depth	kA Interrupting Rating at 480V <sup>②③</sup>
	208V	230V	400V	460V	480V	600V						

### Full Voltage Non-Reversing (FVNR) and Full Voltage Reversing (FVR)

							FVNR	FVR	IR Std/Opt		FVNR	FVR	IR	
1	7.5	7.5	10	10	10	10	125	12 (305)	18 (457)	42 <sup>③</sup>	30/30	12 (305)	18 (457)	100
2	10	15	25	25	25	25		12 (305)	24 (610)		60/60	12 (305)	24 (610)	
3	25	30	50	50	50	50		18 (457)	30 (762)		100/100	24 (610)	36 (914)	
4	40	50	75	100	100	100	125/250	24 (610)	36 (914)	200/200	42 (1067)	48 (1219)		
5	75	100	150	200	200	200	250/400	36 (914)	48 (1219)	JD6 MCS/400	60 (1524)	60 (1524)		
6 <sup>②</sup>	150	200	300	400	400	400	400/600/ 800	48 (1219)	72 (1829) 30W(762W)	MD6 MCS/800	72 (1829)	72 (1829) 30W (762W)		
7 <sup>②</sup>	—	—	—	600	600	600	1200	72 (1829) 20W x 20D (508W x 508D)	N/A	42 <sup>③</sup>	ND6 MCS/1200	72 (1829) 40W x 20D (1016W x 508D)	N/A	

### Full Voltage Contactor (FVC)

							FVNR	FVR	IR Std/Opt		FVNR	FVR	IR	
1	10.8	11.9	18.7	—	23.8	31	125	12 (305)		42 <sup>③</sup>	30/30	12 (305)		100
2	16.2	17.9	31.2	—	35.8	46.7		12 (305)			60/60	12 (305)		
3	32	35	62	—	71	93		18 (457)			100/100	24 (610)		
4	48	54	94	—	107	140	125/250	24 (610)		200/200	42 (1067)			
5	108	119	206	—	238	311	250/400	36 (914)		JXD6 MCS/400	60 (1524)			
6 <sup>②</sup>	198	218	346	—	437	570	600/800	48 (1219) 72 (1829)		LXD6 MCS/800	72 (1829) 30W (762W)			

### Two Speed, Constant or Variable Torque

							2S2W	2S1W	IR Std/Opt		2S2W	2S1W	IR	
1	7.5	7.5	10	—	10	10	125	24 (610)	24 (610)	42 <sup>③</sup>	30/30	24 (610)	24 (610)	100
2	10	15	25	—	25	25		24 (610)	24 (610)		60/60	24 (610)	24 (610)	
3	25	30	50	—	50	50		36 (914)	48 (1219)		100/100	30 (762)	36 (914)	
4	40	50	75	—	100	100	125/250	48 (1219)	60 (1524)	200/200	36 (914)	48 (1219)		
5 <sup>②</sup>	75	100	150	—	200	200	250/400	72 (1829) 30W (762W)	72 (1829) 30W (762W)	JD6 MCS/400	72 (1829) 30W (762W)	72 (1829) 30W (762W)		
6 <sup>②</sup>	150	200	300	—	400	400	600/800	72 (1829) 30W (672W)	Consult Siemens	MD6 MCS/800	72 (1829) 40W (1016W)	Consult Siemens		

### Two Speed, Constant Horsepower

							2S2W-CH	2S1W-CH	IR Std/Opt		2S2W-CH	2S1W-CH	IR	
1	5	5	7.5	—	7.5	7.5	125	24 (610)	24 (610)	42 <sup>③</sup>	30/30	24 (610)	24 (610)	100
2	7.5	10	20	—	20	20		24 (610)	24 (610)		60/60	24 (610)	24 (610)	
3	20	25	40	—	40	40		30 (762)	36 (914)		100/100	36 (914)	48 (1219)	
4 <sup>②</sup>	30	40	50	—	75	75	125/250	36 (914)	48 (1219)	200/200	48 (1219)	60 (1524)		
5 <sup>②</sup>	60	75	100	—	150	150	250/400	72 (1829) 30W (762W)	72 (1829) 30W (762W)	JD6 MCS/400	72 (1829) 30W (672W)	72 (1829) 30W (672W)		
6 <sup>②</sup>	100	150	200	—	300	300	400/600	72 (1829) 30W (762W)	Consult Siemens	MD6 MCS/800	72 (1829) 40W (1016W)	Consult Siemens		

① The addition of oversized CPTs (above 50VA), relays, timers, etc. may increase unit height.

② For other available voltage ratings, consult Siemens.

③ For other Interrupting kA ratings, consult Siemens.

④ Fixed mounted units (not plug-in).

**Note:** For half size starters, contact Siemens.

# tiastar™ Motor Control Centres

## Starter Ratings and Dimensions

Selection

### MCC Starter Ratings and Dimensions (cont.)

NEMA Size	Maximum Horsepower Rating						Circuit Breaker Type (For Maximum HP at 460V)			Fusible Type (For Maximum HP at 460V)		
	208V	230V	400V	460V	480V	600V	Standard Breaker Type	Dimensions in inches (mm) Unit Height <sup>①</sup> W= Width, D= Depth	kA Interrupting Rating at 480V <sup>②③</sup>	Standard Disconnect Sw/Fuse Clip Sizes	Dimensions in inches (mm) Unit Height <sup>①</sup> W= Width, D= Depth	kA Interrupting Rating at 480V <sup>②③</sup>

### Reduced Voltage Autotransformer (RVAT) Non-Reversing, Closed Transition

NEMA Size	Maximum Horsepower Rating						MCP	RVAT	IR Std/Opt	RVAT	IR	
	208V	230V	400V	460V	480V	600V		Standard Breaker Type	kA Interrupting Rating at 480V <sup>②③</sup>			
2 <sup>④</sup>	10	15	25	—	25	25	MCP	42 (1067)	42 <sup>⑤</sup>	100/100	48 (1219)	100
3 <sup>④</sup>	25	30	50	—	50	50		48 (1219)		200/200	60 (1524)	
4 <sup>④</sup>	40	50	75	—	100	100		72 (1829) 30W (762W)		JD6MCS/400	72 (1829) 30W (762W)	
5 <sup>④</sup>	75	100	150	—	200	200		72 (1829) 30W (762W)		MD6MCS/800	72 (1829) 30W (762W)	

### Reduced Voltage Wye Delta, Open and Closed Transition

NEMA Size	Maximum Horsepower Rating						MCP	YDO	YDC	IR Std/Opt	YDO	YDC	IR	
	208V	230V	400V	460V	480V	600V		Standard Breaker Type	kA Interrupting Rating at 480V <sup>②③</sup>					
2	20	25	25	—	40	40	MCP	30 (762)	42 (1067)	42 <sup>⑤</sup>	100/100	36 (914)	48 (1219)	100
3	25	30	50	—	75	75		36 (914)	48 (1219)		200/200	48 (1219)	60 (1524)	
4	60	60	75	—	150	150		36 (914)	48 (1219)		JD6MCS/400	72 (1829)	72 (1829)	
5 <sup>④</sup>	150	150	150	—	300	300		72 (1829) 30W (672W)	72 (1829) 30W (672W)		LD6MCS/600	72 (1829) 30W (672W)	72 (1829) 30W (672W)	

NEMA Size	Maximum Horsepower Rating						Circuit Breaker Type		
	208V	230V	400V	460V	480V	600V	MCP Frame Size	Dimensions in inches (mm) Unit Height <sup>①</sup>	kA Interrupting Rating at 480V <sup>②</sup>

### Dual Full Voltage Non-Reversing (DFVNR) Unit with Circuit Breaker

1	7.5	7.5	10	—	10	10	125	18 (457)	42 <sup>③</sup>
---	-----	-----	----	---	----	----	-----	----------	-----------------

### Compact Units Available – High Density FVNR

1	7.5	7.5	—	—	10	—	125	6 (152)	42 <sup>③</sup>
2	10	15	—	—	25	—		12 (305)	
3	25	30	—	—	50	—			
4	40	50	—	—	100	—	125/250	18 (457)	

① The addition of oversized CPTs (above 50VA), relays, timers, etc. may increase unit height.

② For other available voltage ratings, consult Siemens.

③ For other Interrupting kA ratings, consult Siemens.

④ Fixed mounted units (not plug-in).

⑤ The addition of relays, timers, etc. will increase unit height.

# tiastar™ Motor Control Centres

## Starter Ratings and Dimensions

Selection

### SINAMICS G120C- Technical Data (480V)<sup>③</sup>

Frame Size	Output Ratings				Dimensions - in. (mm) <sup>①</sup>		IR
	LO-OL	LO-OL	HI-OL	HI-OL	Mounting Height	Structure W x D	
	A	hp	A	hp			
A	1.4	0.5	1.1	0.5	18 (457)	20 x 15 (508 x 381)	65ka
A	1.9	0.75	1.4	0.5			
A	2.6	1	1.9	0.75			
A	3.5	2	2.6	1			
A	4.8	2	3.5	2			
A	6.2	3	4.8	2			
A	7.5	3	6.2	3	24 (610)		
B	10.6	5	7.5	3			
B	14.0	10	10.6	5	30 (762)		
C	21.3	15	14.0	10			
C	26.4	15	21.3	15			
C	31.5	20	26.4	15			

① Circuit Breaker, Reactor (Line or Load) and Drive Included.

### SINAMICS G120 Technical Data (480V)<sup>③</sup>

Frame Size	Output Ratings				Dimensions - in. (mm) <sup>①</sup>		IR	
	LO-OL	LO-OL	HI-OL	HI-OL	Mounting Height	Structure W x D		
	A	hp	A	hp				
PM240	A	1.2	0.5	1.3	0.5	18 (457)	20 x 15 (508 x 381)	65ka
	A	1.6	0.5	1.7	0.75			
	A	2.0	0.75	2.2	1			
	A	2.9	1	3.1	1.5			
	A	3.8	2	4.1	2			
	B	5.5	3	5.9	3			
	B	7.2	3	7.7	5	24 (610)		
	B	9.5	5	10.2	5			
	C	16.7	10	13.2	7.5	36 (914)		
	C	23.3	15	19	10			
	C	29.8	20	26	15			
	D	35.3	25	32	20	48 (1219)	20 x 15 <sup>②</sup> (508 x 381)	
	D	41.9	30	38	25			
	D	55.8	40	45	30			
	E	69.8	50	60	40	60 (1624)		
	E	83.7	60	75	50			
	F	102.3	75	90	60	72 (1829)	20 x 20 <sup>②</sup> (508 x 508)	
	F	134.9	100	110	75			
F	165.5	125	145	100				
F	190.7	150	178	125				
F	240.0	150	200	150				
Gx	264.3	200	250	200				
Gx	323.8	250	302	250	40 x 20 <sup>②</sup> (1016 x 508)			
Gx	417.4	350	370	300				
PM250	D	35.3	25	32	20	48 (1219)	20 x 15 <sup>②</sup> (508 x 381)	
	D	41.9	30	38	25			
	D	55.8	40	45	30			
	E	69.8	50	60	40			
	E	83.7	60	75	50	60 (1624)		
	F	102.3	75	90	60			
	F	134.9	100	110	75	72 (1829)	20 x 20 <sup>②</sup> (508 x 508)	
	F	165.5	125	145	100			

① Circuit Breaker, Reactor (Line or Load) and Drive Included.

② Fixed Mounted

③ For other Voltage ratings, consult Siemens.

# tiastar™ Motor Control Centres

## Starter Ratings and Dimensions

Selection

### 600V<sup>①</sup> Solid State Reduced Voltage – NEMA 1 MCC Enclosures<sup>②</sup>

Rating HP <sup>③</sup>	RVSS Type <sup>⑦</sup>	Rated Amperes	Dimensions - In. (mm) <sup>④⑤</sup>		IR
			Mounting Height	Structure WxD	
7.5	3RW40	9	18 (457)	20 x 15 (508 x 381)	25 <sup>③</sup>
15	3RW40	19			
20	3RW40	24			
25	3RW40	28			
30	3RW40	34			
40	3RW40	42			
50	3RW40	58	24 (610)		
60	3RW40	70	36 (914)		
75	3RW40	117			
125	3RW40	132	48 (1219) <sup>⑦</sup>		
150	3RW40	185			
200	3RW40	205			
20	3RW44	26		36 (914)	
25	3RW44	32			
40	3RW44	42			
50	3RW44	52			
60	3RW44	66			
75	3RW44	80			
100	3RW44	113	48 (1219) <sup>⑦</sup>		
125	3RW44	134			
150	3RW44	180			
250	3RW44	243			
300	3RW44	318	72 (1829) <sup>⑦</sup>	30 x 15 (762 x 381)	Consult Siemens
500	3RW44	489			
600	3RW44	562			
700	3RW44	685			
800	3RW44	880			

### 480V<sup>①</sup> Variable Frequency Drives – NEMA 1A MCC Enclosures<sup>②</sup>

Rating HP <sup>③</sup>	Drive Type	Rated Amperes	Dimensions - In. (mm) <sup>④⑤</sup>		IR	
			Mounting Height	Structure W x D		
2	MM440	4	18 (457)	20 x 15 (508 x 381)	100	
5		10.2				
7.5		16				
10		18.4				
15		26	36 (914)			
20		32				
25		38	48 (1219) <sup>⑦</sup>			
30		45	48 (1219) <sup>⑤⑦</sup>			
40		62				
50		76	60 (1524) <sup>⑦</sup>			
60		90	72 (1829) <sup>⑦</sup>			20 x 15 (508 x 381)
75		110				
100		145				
125		178				
150		205		30 x 15 (762 x 381)		
200		250				

- ① For other available voltage ratings, consult Siemens.
- ② For other enclosure types, consult Siemens.
- ③ Ratings are for Variable Torque applications. Consult Siemens for other applications.
- ④ Dimensions shown are for circuit breaker or fusible disconnects except as noted.
- ⑤ Fusible disconnect unit is larger, consult Siemens.
- ⑥ Drives with bypass and / or isolation contactors require extra mounting space. Consult Siemens for further information.
- ⑦ Fixed mounted units (not plug-in).

### 600V<sup>①</sup> Variable Frequency Drives – NEMA 1A MCC Enclosures<sup>②</sup>

Rating HP <sup>③</sup>	Drive Type	Rated Amperes	Dimensions - In. (mm) <sup>④⑤</sup>		IR	
			Mounting Height	Structure W x D		
2	MM440	2.7	24 (610)	20 x 15 (508 x 381)	100	
5		6.1				
7.5		9				
10		11				
15		17				
20		22				
25		27	48 (1219) <sup>⑦</sup>			
30		32				
40		41				
50		52				60 (1624) <sup>⑦</sup>
60		62	72 (1829) <sup>⑦</sup>			20 x 15 <sup>⑤</sup>
75		77				
100		99				
125		125				

- ① For other available voltage ratings, consult Siemens.
- ② For other enclosure types, consult Siemens.
- ③ Ratings are for Variable Torque applications. Consult Siemens for other applications.
- ④ Dimensions shown are for circuit breaker or fusible disconnects except as noted.
- ⑤ Fusible disconnect unit is larger, consult Siemens.
- ⑥ Drives with bypass and / or isolation contactors require extra mounting space. Consult Siemens for further information.
- ⑦ Fixed mounted units (not plug-in).

- ① For other available voltage ratings, consult Siemens.
- ② For other enclosure types, consult Siemens.
- ③ Ratings are based on CLASS 20 overloads and 6 starts per Hour. For other KA Interrupting ratings, consult Siemens.
- ④ Dimensions shown are for circuit breaker or fusible disconnects.
- ⑤ RVSS with bypass and / or isolation contactors require extra mounting space. Consult Siemens for further information.
- ⑥ 3RW40 Units include line side isolation contactor
- ⑦ Fixed mounted units (not plug-in).

# tiastar™ Motor Control Centres

## Starter Ratings and Dimensions

Selection

### Lighting Panelboards

#### Applied in MCCs

Amp Rating	Number of Circuits	Height in Inches (mm)	
		1%, 3W 240/120	3%, 4W 208Y/120

#### Main Lug Only

125/250	18	30 (762)	30 (762)
	30	36 (914)	36 (914)
	42	42 (1067)	42 (1067)

#### Main Circuit Breaker

125/250	18	30 (762)	30 (762)
	30	36 (914)	36 (914)
	42	42 (1067)	42 (1067)

### Distribution Transformers

KVA Rating	Phase	Unit Height in Inches (mm)	
1	1	12 (305) <sup>①</sup>	
1.5			
2			
3			
5			
7.5		18 (457) <sup>②</sup>	
10			
15			
25			24 (610) <sup>②③</sup>
30			
37.5	36 (914) <sup>②③</sup>		
45			
9	3 <sup>③</sup>	18 (457)	
15			
25			
30		24 (610)	
37.5			
45			

① Plate mounted.

② Transformer mounted on brackets 6 in. (152 mm) off sills.

③ Requires 20 in. (508 mm) deep structure.



# tiastar™ Motor Control Centres

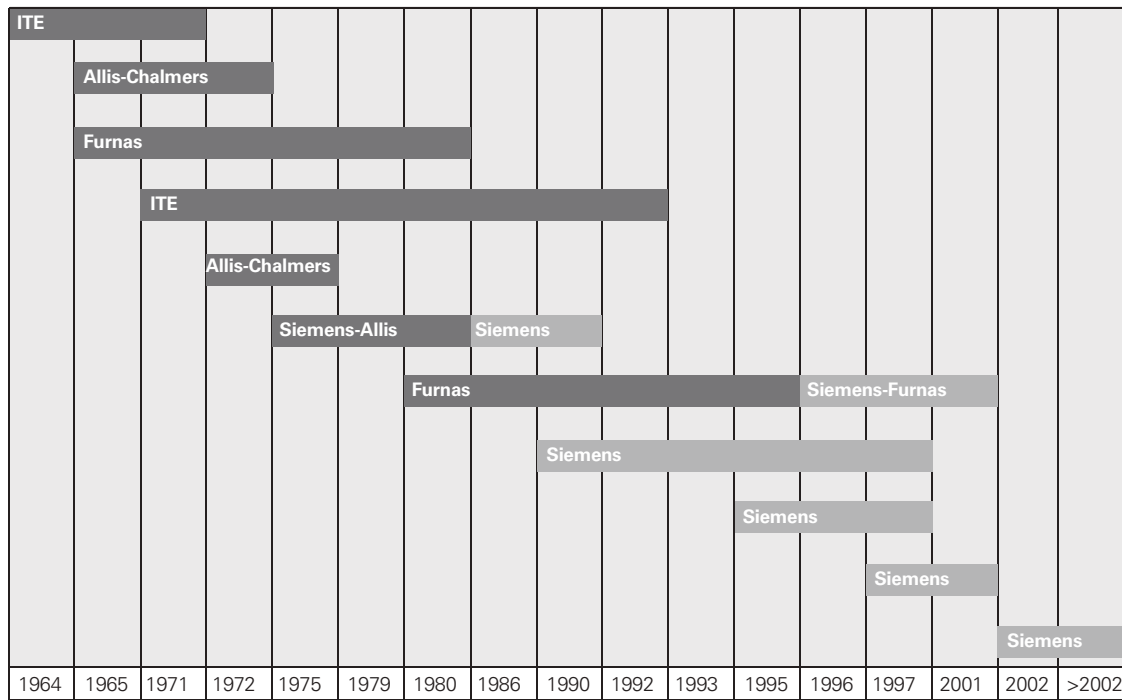
## Product History

*Aftermarket*

Siemens has an installed base of motor control centres dating back to 1964 due to acquisitions of Allis-Chalmers in 1978, ITE Gould in 1983 and Furnas Electric in 1996. This has resulted in eleven MCC models installed across the United States. Replacement units for these models as well as the current tiastar™ MCC offerings are built in the Siemens West Chicago plant. Siemens developed this tool to help people gain a better understanding of the wide variety of this installed base of MCCs. This should enable people

to order aftermarket buckets or new MCCs much easier. In this program brochure, all the tools necessary for identifying existing MCCs to ordering forms are included. All items listed as follows: timeline, product overview, identification guide, product descriptions, work sheets and ordering check sheet. The intent of this guide is to provide a tool for Siemens customers so they can make a more educated purchasing decision. If you have any questions, please contact your local Siemens representative.

### MCC Timeline



Year

Note: Timeline represents approximate values

# tiastar™ Motor Control Centres

## Product History

Aftermarket

This overview is a clear and concise snap shot of Siemens entire MCC product offering. For your convenience, typical MCC part numbers are shown for continued identification possibilities.

Furthermore, the overview covers the standard options for the product offering.

Original manufacturer	Model	Production dates <sup>①</sup>	Bucket w/ door & handle <sup>②</sup>	Factory retrofit <sup>③</sup>	Typical MCC number <sup>④</sup>	X=Letter # = Number
Siemens	tiastar	2002 – Current	X	–	Same as System89	
Siemens/Furnas	System89	1980 – 2001	X	–	89BFXX### ### 89BSXX### ### 89BBXX### ### WX### (ex. WU760)	
Siemens	Model 95 +	1997 – 2001	X	–	95BFXX### ### 95BSXX### ### 95BBXX### ### XX### (ex. WU760)	
Siemens	Model 95	1995 – 1997	X	–	09-001-XXXX-XXXX-XXX	
Siemens	Model 90	1990 – 1997	X	–	30-001-XXXX-XXXX	
Siemens Allis	Marq 21	1975 – 1990	X	–	01-14XX-XXXX-XX	
Allis-Chalmers	Mark 2	1972 – 1975	X	–	##### (ex. 15375)	
Allis-Chalmers	Mark 1	1965 – 1972	X	–		
ITE	Gould 5600	1971 – 1992	–	X	84-XXXX-XX	
ITE	Gould 9600	1964 – 1971	–	X	85-XXXX-XX 86-XXXX-XX	
Furnas	Class89	1965 – 1979	–	X	89FVXXXX XXX 89SVXXXX XXX 89BVXXXX XXX V### (ex. V2176)	

① Dates represent approximate values only.

② Buckets exceeding 250 amps are fix mounted.

③ Contact West Chicago Aftermarket Dept. for Retrofit Program at (800) 683-6200.

④ In some instances, a generic 5 alphanumeric number is designed as the MCC sales order number. In most cases a 5 alphanumeric number within the MCC number is the sales order number. MCC numbers can be found inside the MCC bucket.

Starters 208V, 230V, 400V, 480V, 600V	NEMA size
FVNR	1-6
FVR	1-6
DFVNR	1
2S1W-CT	1-6
2S1W-VT	1-6
2S2W-CT	1-6
2S2W-VT	1-6
RVAT	2-5
RVSS	Consult factory
VFD	Consult factory
YDC/YDO	2-5

Standard options	
Amp meter + CT	Surge suppression
CT	Under voltage CB
Voltage monitor	Shunt trip
Vac. contactor	Ground stab
Transducer	High density bucket
Fuse puller	Special paint
Bypass	Timer
ASI®	4P relay
Ground fault	Extra unit space
Elapse time meter	



# tiastar™ Motor Control Centres Arc Resistant

**Innovative protection for your most  
valuable asset: your personnel.**

The Siemens tiastar™ arc resistant Motor Control Centre (MCC) is the industry's first MCC tested to the ANSI/IEEE C37.20.7 testing guide, with representatives of Underwriters Laboratories, Inc. (UL) present to observe the testing procedures. The tiastar Motor Control Centre has been designed with more advanced features to control arc flash exposure. Thus users experience superior arc resistance that meets a high standard in protecting people, capital investments and operations.

# tiastar Motor Control Centres

## Arc Resistant

Managing Hazards and Reducing Risk are Top Priorities

**Manufacturers in all segments of industry are constantly seeking methods to improve the safety of their workforce.**

One area of focus is the reduction of hazards associated with arc flash events. Siemens arc resistant tiastar Motor Control Centre significantly reduces risk for workers entering areas with arc flash potential by containing and directing the arc flash incident energy away from personnel and maintaining the units physical integrity.

The arc resistant tiastar was developed to meet applicable safety codes and standards, while NFPA 70E and IEEE C37.20.7

provided the guidance to design and manufacture features that are capable of ensuring Type 2 accessibility of the motor control centre.

The ability to provide Type 2 accessibility, as defined by IEEE C37.20.7, helps shield personnel on the front, rear and sides of the equipment from the damaging effects of arc flash incidents. Robust structural and bus designs, isolated horizontal and insulated vertical bus designs are critical to withstand the mechanical forces released during an arc flash event.

## The Benefits of a Superior Arc Resistant Design

<b>A HIGHER STANDARD</b>	With UL observing and validating the testing of our arc resistant design, the design innovations of the Siemens tiastar Motor Control Centre have set a new industry benchmark.
<b>INCREASED PROTECTION FOR PERSONNEL</b>	Your people are, and always will be, your most valuable asset. Improve workplace safety and protect your work force by lowering the risk of electrical shock and harmful exposure to arc flash incident energy.
<b>PRESERVED ASSETS</b>	Arc flash events endanger equipment and operations. Enhanced arc resistance reduces damage to nearby assets, which in turn cuts repair and replacement costs.
<b>SMARTER, PASSIVE DESIGN</b>	Passive designs do not rely on secondary devices to mitigate arc flash energies. Siemens arc resistant tiastar™ Motor Control Centres are manufactured to contain the energy created during an arcing event for 50ms.
<b>IMPROVED SPECIFICATIONS</b>	The lack of formal arc flash resistance standards for MCCs poses a challenge for engineers wanting to specify safer solutions. By meeting ANSI/IEEE C37.20.7 testing guides for Metal Enclosed Switchgear, Siemens has raised the bar for MCC designs and created a specifiable standard.

### ANSI/IEEE Standard C37.20.7-2007

ANSI/IEEE C37.20.7, IEEE Guide for Testing Metal-Enclosed Switchgear Rated Up to 38kV for Internal Arcing Faults, provides guidelines to test the resistance to the effects of arcing due to an internal fault in metal enclosed equipment; equipment that successfully meets this standard demonstrates greater protection against arc flash hazards, as long as all safety protocols are followed. Note that use of Siemens arc resistance features do not substitute for proper safety procedures in compliance with OSHA and other government safety regulations. They do mean more advanced safety features that can keep your people and facility better protected against electrical dangers and hazards of arc flashes.

### Additional Safety Options Available

**Dynamic Arc Flash Sentry** allows the setting of dual parameters for the circuit protective device. These dual parameters, normal and lower arc flash settings, are designed to enhance the safety of personnel who may work on or near energized equipment.

A normal setting optimizes the WL circuit breaker to provide the most efficient selective trip coordination.

Lower Arc Flash Energy setting enables a reduced operating time, allowing the instantaneous trip function via remote switches, key lock or other inputs.

**Smart MCC Technology** utilizes built-in networks and pre-configurations to control, monitor and troubleshoot the equipment remotely to minimize the need for personnel to enter the arc flash boundary.

# tiastar Motor Control Centres

## Arc Resistant

### Key Innovations in Arc Resistance

CONTAIN AND CHANNEL THE ARC FLASH INCIDENT ENERGY:

By meeting ANSI/IEEE C37.20.7 Type 2 Arc Resistance, the new tiastar™ arc resistant design protects personnel at the front, back and sides of the equipment by directing the energy through the top.



#### REINFORCED ENCLOSURE AND FRONT DOORS

Extra hinges, stronger latching systems and reinforced cabinet ensure the equipment can withstand and contain pressure from internal arcing faults.



#### AUTOMATIC SHUTTERS IN PLUG-IN UNIT COMPARTMENTS

The barrier automatically opens and closes to allow insertion or removal of units.

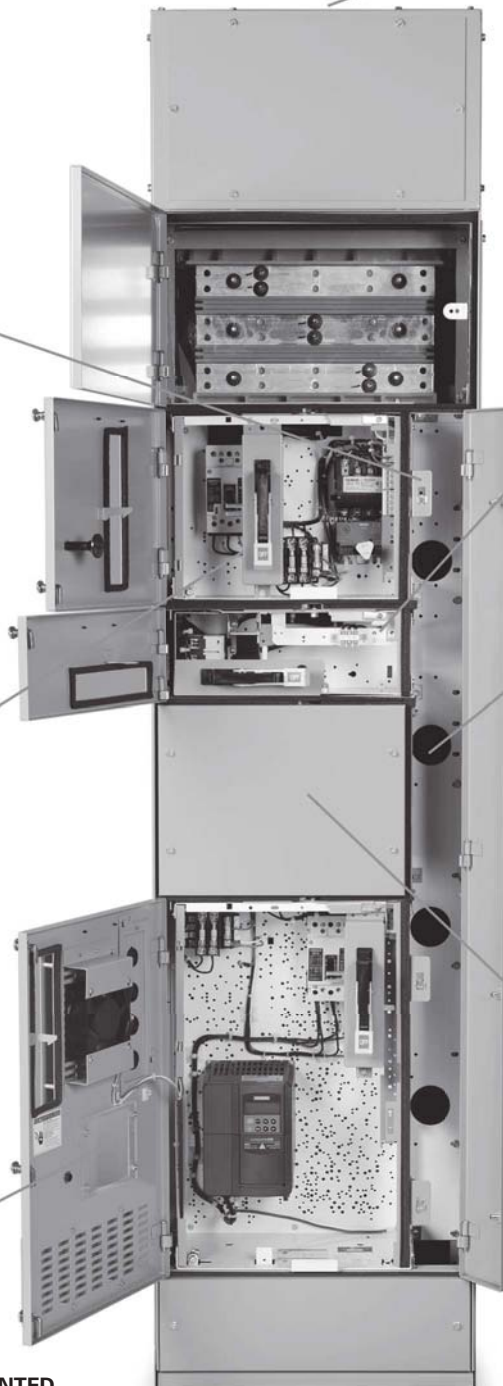
Isolates the vertical bus to prevent inadvertent contact lowering the risk to personnel.



#### NEW PROTECTION PLATE FOR VENTED DOORS ALLOWS THE INCLUSION OF ELECTRONIC STARTERS IN THE ARC RESISTANT MCC.



#### MODIFIED PULL-BOX WITH PRESSURE FLAPS FOR PRESSURE RELIEF IN CASE OF AN ARC FLASH EVENT



#### 6" UNITS AVAILABLE IN SIEMENS tiastar ARC RESISTANT MCC



#### INTERNAL VENTING SYSTEM

The vertical wireway is perforated with holes that channel the gasses to the back and out the top of the MCC.



#### INSULATED BUS BAR SYSTEM

Isolate energized components and prevent accidental contact and arcing faults from propagating.

# New technology for reducing arc flash hazards in motor control centers

Dynamic Arc Flash Sentry is now available in tiastar™ motor control centers from Siemens.

Here's how the innovation reduces arc flash hazards and optimizes efficiency:

- Unique dual trip setting technology reduces the energy available in an arc flash event.
- Remote switching enables you to automate trip function settings.



tiastar™ Motor Control Centre



# tiastar Motor Control Centres

## Dynamic Arc Flash Sentry

### Arc Flash: A Growing Concern

The risk of arc flashes is a growing concern in the industry. Current research shows that up to 80% of reported electrical injuries are caused by an electrical arc. This fact has spawned new requirements and standards, including NFPA 70E and NEC, designed to protect personnel on and around energized electrical equipment.

To fulfill these enhanced standards, Siemens has developed new technologies to address the critical issue of arc flash. Our unique Dynamic Arc Flash Sentry (DAS) system is now available in tiastar Motor Control Centres. The DAS anchors a suite of standard and optional features, specifically designed to enhance arc flash protection. DAS is also currently available in Siemens low voltage switchgear.



### What is Dynamic Arc Flash Sentry?

Siemens strongly recommends that all systems be de-energized when personnel are working on electrical equipment. However, in some circumstances, qualified professionals may need to access and work near energized equipment.

Under these conditions, the Dynamic Arc Flash Sentry provides additional arc flash protection without sacrificing operational efficiency. DAS is based on the electronic trip unit (ETU776), available with the Siemens WL circuit breaker. Using the WL as the main breaker a tiastar motor control centre enables the system to provide two trip level settings. In normal operation mode, trip coordination is optimized for efficiency and reduced nuisance tripping. The second setting is designed to lower arc flash energy using the WL breaker's instantaneous trip function.

The dual protective settings, combined with the ability to toggle between normal and lower arc flash parameters, are designed to enhance the safety of personnel who must work on or near energized equipment. With a range of options, from fully automated switching to manual key operation, Siemens DAS technology combines enhanced arc flash protection with maximum operational flexibility.



### Dual protective settings

The dual protection setting capability of ETU776 electronic trip units form the basis of the Dynamic Arc Flash Sentry technology. The ETU776 is placed within a WL Low Voltage Power Circuit Breaker and allows two separate control parameters to be set.

A normal operation parameter (A) optimizes the WL breaker to provide the most efficient selective trip coordination. The second parameter (B) optimizes the system for lower arc flash energy. Since arc flash energy is most affected by the available fault current and operating time of the WL, the instantaneous trip function is a key to the reduction in arc flash energy provided by parameter B.

### Remote switching

Siemens Dynamic Arc Flash Sentry can be controlled through a dry contact input. This ability to toggle between trip unit settings allows for remote communications.

### Key lock protection

A simple, yet effective way to control trip unit parameter switching from a remote location is by placing a key lock on the entry door of the energized equipment room. Unlocking the door triggers the WL to switch to Parameter B, ensuring this setting is employed when anyone is present in the room.

With Siemens Dynamic Arc Flash Sentry, your facility can have the best of both worlds: reduced arc flash energy and maximum operational efficiency. For more information on DAS, contact your Siemens representative.



# tiastar Motor Control Centres

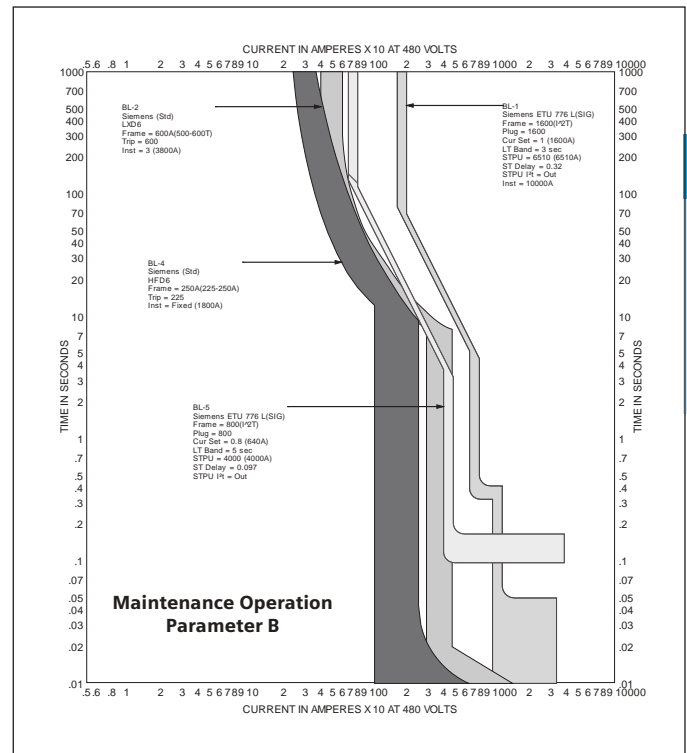
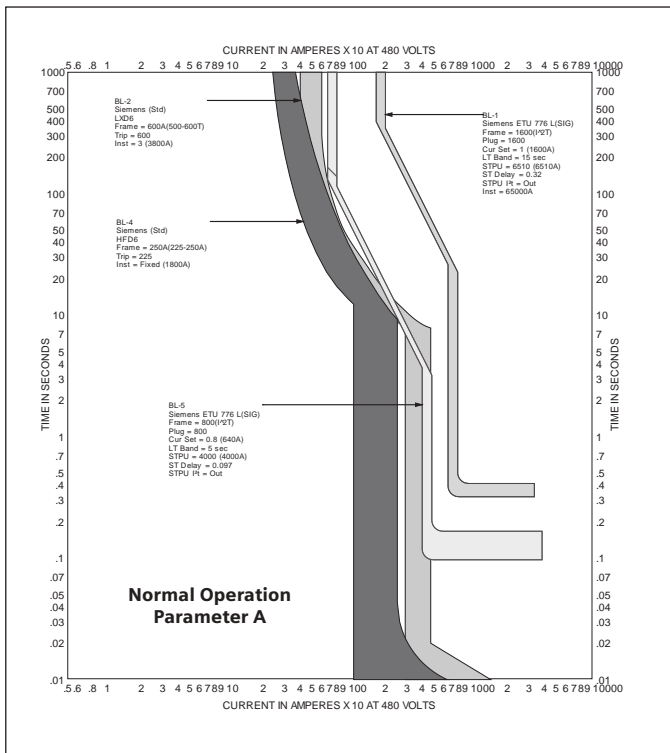
## Dynamic Arc Flash Sentry

### Benefits of Siemens Dynamic Arc Flash Sentry Technology

By reducing the potential arc flash energy that can accompany an electrical fault, the Dynamic Arc Flash Sentry offers:

- Creates an improved work environment. By decreasing the amount of energy available in an arc flash, Dynamic Arc Flash Sentry makes the area surrounding the motor control centre less susceptible to arc flash damage.
- Promotes operational efficiency. Trip coordination is optimized when personnel are not near energized equipment and arc flash energy is reduced when they are.

- Provides a clear competitive advantage. Unlike other “arc flash” circuit breakers, the DAS allows modification of the parameters in the trip unit, instead of utilizing potentially compromising trip coordination at all times.
- Offers enhanced flexibility. The DAS has the features required to allow remote communication to alter trip parameters or to fully automate the system.



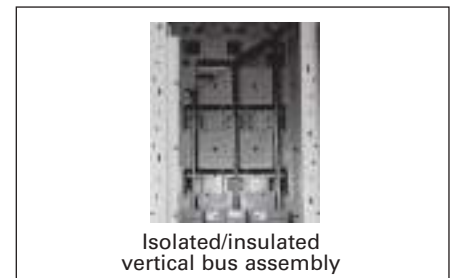
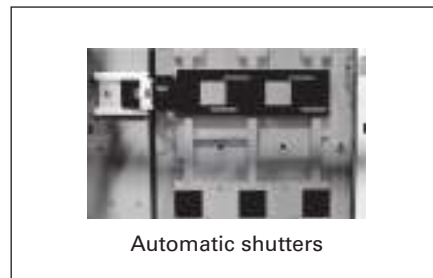
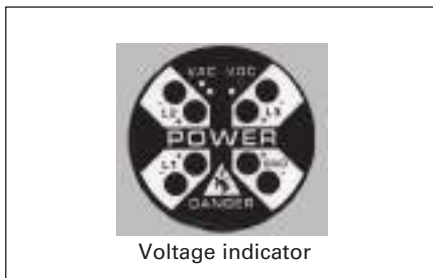
## Siemens Arc Sentry tiastar Motor Control Centre

### Required features:

- Dynamic Arc Flash Sentry
- Automatic Shutters
- Isolated and insulated vertical bus
- Assembly open bus covers
- Vertical ground bus

### Optional features:

- High resistance ground
- Phase isolated horizontal bus
- Voltage indicator
- Infrared inspection ports
- Smart MCC Technology featuring Profibus DP
- Blown fuse indicators



# Motor Control Centres

## Specification Checklist

<b>Customer:</b>	<b>Prepared By:</b>
------------------	---------------------

Check boxes and fill in blanks as required.

### STANDARDS

CSA
  NEMA
  Service Entrance  
 Hydro Utility Company \_\_\_\_\_

### INCOMING POWER

\* System Voltage:
  208/120V 3p4w
  380V 3p3w
  480V 3p3w
  600V 3p3w  
 380V 3p4w
  480/277V 3p4w
  600/347V 3p4w

\* Power System Configuration:
  Wye
  Delta
  High Resistance Ground
  Other \_\_\_\_\_

\* Available Fault Current:
  18 000A
  25 000A
  42 000A
  85 000A  
 22 000A
  35 000A
  65 000A
  100 000A

### STRUCTURE

\* Enclosure:
  Type 1 - Indoor (Std.)
  Type 2/1 - Indoor, Drip Proof  
 Type 1A - Indoor, Gasketed
  Type 2/1A - Indoor, Drip Proof/Gasketed  
 Type 12 - Indoor, Industrial
  Type 2/12 - Indoor, Drip Proof/Industrial

\* Depth:
  15" Deep, Front Only
  20" Deep, Front Only
  21" Deep, Back to Back

Pullbox:
  12"
  18"
  24"  
 Incoming Section Only
  All Sections

150 W Space Heater:
  None
  120V
  240V  
 Power Source:
  External
  Internal

Options:
  Thermostat Every Shipping Split

Modifications:
  2 Piece Backplate (20W)
  Removable Bottom Plates  
 Automatic Shutters
  Seismic Zone 4 (UBC)

Paint:
  Gray ANSI 61 (Std)
  Custom Color - describe \_\_\_\_\_

### BUS

\* Power Bus Bracing (amperes rms symmetrical):
  45 kA STD
  65 kA
  100 kA

\* Horizontal Bus:
 65°C Copper:
  600A STD
  800A STD
  1200A STD \_\_\_\_\_  
 Rating:  
 50°C Copper:
  600A
  600A
  600A
  1200A
  1600A STD
  2000A STD

Vertical Bus:
 Main Vertical Bus:
  300A F.O.B. STD
  600A B.T.B. STD
  Option F.O.B. 600A  
 Insulated Barriers c/w Fish-Tape Barrier(s)

Horizontal Ground Bus:
  300A 1/4 x 1
  600A 1/4 x 2

Ground Bus Location:
  Top Mounted
  Bottom Mounted

\* Ground Bus:
**Note:** 3 phase 3 wire (3p3w) - standard ground bus location bottom

Ground Bus Plating:
  Bare Copper STD
  Tin Plated Copper
  Silver Plated Copper- describe

Vertical Ground Bus:
  Not required
  Required w/ Motor Terms

MOTOR CONTROL CENTRES 14

# Motor Control Centres

## Specification Checklist

### BUS - continued

Neutral Bus: Rating:  Full Rated:  600A  800A  1200A  1600A  
 Half Rated:  600A  800A  1200A

Location:  Incoming Section Only  All Sections

### INCOMING LINE TERMINATION

\* INCOMING Located in Section No. \_\_\_\_\_  Top  Bottom  
 600A Inc. 2 x 350 MCM inside wireway "no loss of space"

Main Lug (MLO): No. of cables per phase: \_\_\_\_\_ Cable Size: \_\_\_\_\_  Copper  Alum  
 Mechanical Lugs ( Please check Tiastar MCC Instruction Guide for lugs detail)  
 Compression Lugs (Provision for NEMA 2 holes pattern)  
 Notes: \_\_\_\_\_

Main Circuit Breaker (MCB): Located in Section No. \_\_\_\_\_  Top  Bottom  
 Breaker Rating, Frame: \_\_\_\_\_ Breaker Rating, Trip: \_\_\_\_\_  
 No. of cables per phase: \_\_\_\_\_ Cable Size: \_\_\_\_\_  Copper  Alum  
 Mechanical Lugs ( Please check Tiastar MCC Instruction Guide for lugs detail)  
 Notes: \_\_\_\_\_

Breaker Option:  Alarm Contact  Internal Ground Fault  Shunt Trip  
 Internal Aux. Switch  Kirk Key  Undervoltage Release

Main Fusible Disconnect (MFD): Located in Section No. \_\_\_\_\_  Top  Bottom  
 No. of cables per phase: \_\_\_\_\_ Cable Size: \_\_\_\_\_  Copper  Alum  
 Ampere Rating: \_\_\_\_\_  Factory Supplied and Installed  
 Supplied & Installed by Others  
 Fuse Clip:  Class J Current limiting, time delay  
 Class L "for 800A and 1200A only"  
 Fuse Rating: \_\_\_\_\_  
 Mechanical Lugs  
 Notes: \_\_\_\_\_

Modification Option:  Door Padlock Hasp  Lighting Arrester  Surge Capacitor  
 Ground Detection Lights  Phase Monitor

\* Metering Options  
 PAC3100 Power Meter, 3p4w, 2000A (3CT, 3PT)  
 PAC3200 Power Meter, 3p4w, 2000A (3CT, 3PT)  
 PAC4200 Power Meter, 3p4w, 2000A (3CT, 3PT)  
 CT for Metering, 2000:X  
 PT for Metering, Including fuses, 575V, 60Hz  
 Phase Selector Switch for Ammeter or Voltmeter  
 Extra Fuses (with Switch \-or\ Shorting Terminal Block)

# Motor Control Centres

## Specification Checklist

### INCOMING LINE TERMINATION - *continued*

Surge Protection Device

Surge Current:  None  150 kA  250 kA  
 100 kA  200 kA  300 kA

\*Disconnect:  Circuit Breaker Disconnect  Direct Connection (12')  
 Fusible Disconnect

Options:  Surge Counter  Remote Monitor ( External to MCC) (RMSIE)

### FEEDER UNITS

Fused Switch:

Class J Clips for "Current Limiting Time Delay" Fuse

Single Mounted (30a, 60A)  Dual Mounted (30A, 60A)

Quantity \_\_\_\_\_  100  200  400  600

Fuse Rating: \_\_\_\_\_

Other Options: \_\_\_\_\_

Circuit Breaker  
(Thermal Magnetic):

Interrupting Rating: \_\_\_\_\_

Dual Mounted

Dual Mounted

ED, 125A Frame Max 18 kA

CED, 125A Frame Max 100 kA

Quantity \_\_\_\_\_

250A F frame  
 800A M frame

400A J frame  
 1200A N frame

600A L frame

Other Options: \_\_\_\_\_

Breaker Option:

Internal Aux. Switch

Alarm Contact

Shunt Trip

Undervoltage Release

Other Options: \_\_\_\_\_

External Option:

Ground Fault Indication

Ground Fault Trip

### COMBINATION CONTACTOR/STARTER UNITS

\* Wiring:

NEMA Wiring Class:

I

IS

II

IIS

NEMA Wiring Type:

BD - Unit Terminal Block

BT - Unit Terminal Block Load connected thru size 3

C - Mater Terminal Block:

Top 12" Wireway

Bottom 6" Wireway

Master Control Section

Pull-apart Control Terminal STD

Stationary Control Terminal

Contactor/Starter Types:

FVC

FVNR

FVR

2S1W

2S2W

Other: \_\_\_\_\_

Disconnecting Means - Fusible:

Class J Clips for "Current Limiting Time Delay" Fuse

Fuses:

Factory Supplied and Installed

Supplied and Installed by Others

Disconnecting Means - Circuit Breaker:

Motor Circuit Protector (magnetic/instantaneous only)

Circuit Breaker (thermal-magnetic)

Accessories: \_\_\_\_\_

\* = Required Field

# Motor Control Centres

## Specification Checklist

COMBINATION CONTACTOR/STARTER UNITS - <i>continued</i>	
* Overload Relays:	<input type="checkbox"/> 3RB20 STD <input type="checkbox"/> Option Electronic 3RB21 c/w ground fault <input type="checkbox"/> Simocode Pro V <b>Note:</b> Max 30 Simocodes per network segment Secondary Voltage: <input type="checkbox"/> 120 VAC (std) <input type="checkbox"/> Other: _____ <input type="checkbox"/> Factory wired with Profibus Options: _____ <input type="checkbox"/> CT Module <input type="checkbox"/> PT/CT Module in place of CT Module <input type="checkbox"/> No Operator Control Panel/Door push button (label) Reset <input type="checkbox"/> Operator Control Panel w/o LCD <input type="checkbox"/> Operator Control Panel with LCD
Simocode Expansion Modules	<input type="checkbox"/> 4I/2O 110-240VAC Monostable Module <input type="checkbox"/> 1I/1O Analog Module <input type="checkbox"/> Temperature Module <input type="checkbox"/> 4I/2O 110-240VAC Bistable Module <input type="checkbox"/> Decoupling Module use with PT/CT module <input type="checkbox"/> Earth Fault Module <input type="checkbox"/> Summation Current Transformer Options: _____
* Unit Nameplate:	<input type="checkbox"/> None <input type="checkbox"/> Self Adhesive STD <input type="checkbox"/> Screw <input type="checkbox"/> 1200A N frame Colours <input type="checkbox"/> Black letters on white <input type="checkbox"/> White letters on black <input type="checkbox"/> Other: _____
* Control Power:	STD <input type="checkbox"/> Individual Control Transformer (CPT) Secondary Voltage: <input type="checkbox"/> 120 VAC (std) <input type="checkbox"/> Other: _____ <input type="checkbox"/> Standard Capacity <input type="checkbox"/> 100 VA extra Option: <input type="checkbox"/> No Interlock on Handle <input type="checkbox"/> Interlock on Handle 1 NO, 1 NC <input type="checkbox"/> Interlock Auxiliary Switch 1 NO, 1 NC Option: <input type="checkbox"/> Mater Control Transformer Secondary Voltage: <input type="checkbox"/> 120 VAC (std) <input type="checkbox"/> Other: _____ <input type="checkbox"/> Factory Wiring <input type="checkbox"/> Control Fuses Inside Starter Standard: <input type="checkbox"/> Interlock on Handle 1 NO, 1 NC Option: <input type="checkbox"/> Internal Auxiliary Switch 1 NO, 1 NC Option: <input type="checkbox"/> Separate Source (remote to MCC) Secondary Voltage: <input type="checkbox"/> 120 VAC (std) <input type="checkbox"/> Other: _____ <input type="checkbox"/> Control Fuses Inside Starter Standard: <input type="checkbox"/> Interlock on Handle 1 NO, 1 NC Option: <input type="checkbox"/> Internal Auxiliary Switch 1 NO, 1 NC
* Starter Options:	<input type="checkbox"/> Starter Auxiliary Option - Qty. _____ N.O.    Qty. _____ N.C. <input type="checkbox"/> Pilot Devices <input type="checkbox"/> Pushbuttons, Describe Function (such as start/stop): _____ <input type="checkbox"/> Selector Switches, Describe Function (such as off-on, hand-off-auto): _____ <input type="checkbox"/> Pilot Lights <input type="checkbox"/> 22 mm <input type="checkbox"/> STD Bulb    Qty. _____ Colour(s): _____ <input type="checkbox"/> 30 mm <input type="checkbox"/> LED      Qty. _____ Colour(s): _____ <input type="checkbox"/> Push-to-test <input type="checkbox"/> Relays or Timers, Describe: _____ <input type="checkbox"/> Others, Describe: _____

# Motor Control Centres

## Specification Checklist

### OTHER UNIT/APPARATUS

Voltage: \_\_\_\_\_ Phase: \_\_\_\_\_ Wire: \_\_\_\_\_

IC Rating: \_\_\_\_\_

Panelboard:

Main Lug

Main Breaker

Quantity and Pole Configuration: \_\_\_\_\_

Soft Starters:

Keypad

Communication

External Bypass

Input Isolation

Reset

Describe: \_\_\_\_\_

Drives

MM440

6SE70

Keypad

Communication

Contactors and Reactors:

Contactor Type:

Input Isolation

Output Isolation

Bypass

Reactor Type:

Line

Load

Filter Type:

DV/DT Filter

RFI Filter

Extra Space for Future Units:

Describe: \_\_\_\_\_

Additional Notes/Comments:

\_\_\_\_\_

\_\_\_\_\_

\_\_\_\_\_

\_\_\_\_\_

\_\_\_\_\_

\_\_\_\_\_

\_\_\_\_\_

\_\_\_\_\_

\_\_\_\_\_

\_\_\_\_\_

\_\_\_\_\_

\_\_\_\_\_

\_\_\_\_\_

\_\_\_\_\_

\_\_\_\_\_

\_\_\_\_\_

\_\_\_\_\_

\_\_\_\_\_

\_\_\_\_\_

\_\_\_\_\_

\_\_\_\_\_

\_\_\_\_\_

\_\_\_\_\_

\_\_\_\_\_

\_\_\_\_\_

\_\_\_\_\_

## Contents

<b>Selection</b>	15-2
<b>Full Voltage Non-Reversing</b>	
NEMA 4X Non-Metallic	15-4
Full Voltage Metallic	15-8
Non - Combination	15-9
Circuit Breaker Combination	15-10
Fusible Switch Combination and Non-Fusible Starter	15-11
<b>Full Voltage Reversing</b>	
General	15-12
Non - Combination	15-13
Circuit Breaker Combination	15-14
Fusible Switch Combination and Non-Fusible Starter	15-15
<b>Two Speed Starters</b>	
General	15-16
Two Windings, Constant or Variable Torque	
Non - Combination	15-17
Circuit Breaker Combination	15-18
Fusible Switch Combination and Non-Fusible Starter	15-19
Single Winding, Constant or Variable Torque	
Non - Combination	15-20
Circuit Breaker Combination	15-21
Fusible Switch Combination and Non-Fusible Starter	15-22
<b>Overload Relay Chart</b>	15-23
<b>Factory Modifications</b>	
Selection	15-24
<b>SIRIUS Pre - Assembled Starter Packages</b>	15-29
Dimensions	15-32



### Siemens SIRIUS IEC Starters

The SIRIUS IEC Starter is the new generation of IEC HP rated magnetic starters, designed to meet and exceed today's market requirements for HP rated starters.

The new SIRIUS Starters take advantage of the reliability of the SIRIUS line of contactors and overload relays in addition to the new line of SIGNUM 3SB3 22mm pilot devices as the standard control device.

As evident in the design and size, all efforts were put in place to offer a new line of starters that exceeds the performance of the previous generation.

① 1NO auxiliary contact for starters up to 10HP at 600V.



The SIRIUS IEC Starters line also offers more price flexibility in the very competitive starters market.

### SIRIUS Starters Features:

- CSA approved
- 100HP, 600V max
- Standard 2NO+2NC auxiliary contacts<sup>①</sup>
- Ambient 60°C on contactors
- Fast and simple 3-prong overload contactor connection: no coil extension required
- Standard primary and secondary fusing on control transformers
- Standard Metal 22mm SIGNUM Control Devices



# SIRIUS HP Rated Magnetic Starters

Selection

Catalogue Number Selection Guide						
Starter Series	Disconnect Type	Starter Type	Enclosure Type	Contactor Ref. Number	Coil Voltage	Overload Relay Setting Range
page 15-3-15-18						page 15-19
<b>V</b> SIRIUS IEC HP rated Starter	<b>1</b> Non-combination	<b>A</b> FVNR	<b>B</b> CSA type 1 EEMAC type 1 general purpose	<b>15</b> 3RT1015	<b>C</b> 24V/60Hz 24V/50Hz	<b>OA to 4M</b> Standard Class 10 bimetal overload relay  <b>RB</b> Optional Class 20 electronic overload relay  <b>00</b> Provision for field mounting of overload relay
	<b>2</b> Circuit breaker combination	<b>B</b> FVR	<b>C</b> CSA type 5 EEMAC type 12 dust tight industrial use	<b>16</b> 3RT1016	<b>K</b> 120V/60 Hz 110V/50Hz	
	<b>3</b> Non-fusible type	<b>N</b> 2S1W constant or variable torque	<b>D</b> CSA type 4 EEMAC type 4 watertight	<b>17</b> 3RT1017	<b>M</b> 208V/60Hz	
	<b>4</b> Fusible combination	<b>R</b> 2S1W constant horse- power	<b>F</b> CSA type 4x EEMAC type 4x watertight corrosion resistant	<b>25</b> 3RT1025	<b>P</b> 240V/60Hz 220V/50Hz	
		<b>U</b> 2S2W constant horse- power		<b>26</b> 3RT1026	<b>V</b> 460V/60Hz 380V/50Hz	
		<b>W</b> 2S2W constant or variable torque		<b>33</b> 3RT1033	<b>T</b> 600V/60Hz	
				<b>34</b> 3RT1034	<b>Z</b> Others Specify	
				<b>35</b> 3RT1035		
				<b>36</b> 3RT1036		
				<b>44</b> 3RT1044		
				<b>45</b> 3RT1045		
				<b>46</b> 3RT1046		



# A.C. Magnetic Starters

Selection

Catalogue Number Selection Guide							
Power Line Voltage	Control Circuit	Additional Auxiliary Contacts	Pilot Devices				
			Operators		Indicators		
			Operators Type	Legend Plate(s)	Indicator Type	Functions	Colour Choice
page 15-20	page 15-21	pages 15-21-15-22			page 15-22	page 15-23	
<b>6</b> 600V Max. Distributor Stock	<b>0</b> Separate control circuit, unfused	<b>0</b> None	<b>0</b> none	<b>0</b> none	<b>0</b> none	<b>0</b> none	<b>0</b> none
<b>1</b> 120V/1Ph/60Hz	<b>N</b> Separate control circuit, fused max 250V	<b>E</b> 4 N.O.	<b>1 or 2</b> 1 push button extended head red	<b>A</b> EMERGENCY STOP	<b>1 or 2</b> Full Voltage 120V c/w legend plate(s)	<b>1 to 5</b> 1 indicator for 1 function	<b>C to F</b> Colour choice for 1 indicator
<b>2</b> 208V/3PH/60Hz	<b>F</b> One control fuse for 120V 1 ph.	<b>F</b> 1 N.O. + 1 N.C.	<b>3 or 4</b> 1 twist lock mushroom red	<b>B</b> STOP	<b>3 or 4</b> Full Voltage 24V c/w legend plate(s)		
<b>3</b> 230V/3PH/60Hz	<b>P</b> Standard control transformer c/w 2 prim. & 1 sec. 120V fuse	<b>J</b> 3 N.O. + 1 N.C.	<b>5 or 6</b> 2 push buttons 1-red, 1-green	<b>C</b> START STOP	<b>5 or 6</b> Full Voltage 120V LED c/w legend plate(s)		
<b>4</b> 460V/3Ph/60Hz	<b>R</b> Extra 50VA capacity Control Transformer	<b>K</b> 2 N.C.	<b>7 or 8</b> 3 push buttons 1-red, 2-black	<b>D</b> ON OFF	<b>7 or 8</b> Full Voltage 24V LED c/w legend plate(s)		
<b>5</b> 575V/3Ph/60Hz	<b>U</b> Extra 100VA capacity Control Transformer	<b>L</b> 2 N.O.	<b>A or B</b> 2 pos. selector switch	<b>E to J</b> 3 legend plates for 3 push button			
<b>7</b> 230V/1Ph/60Hz	<b>W</b> Other Specify	<b>M</b> 2 N.O. + 2 N.C.	<b>C or D</b> 2 pos. selector switch spring return	<b>K to T</b> 1 legend plate for 2 pos. selector switch			
<b>8</b> 208V/3Ph/60Hz with 4 wires (+Neutral)	<b>9</b> Other Specify	<b>9</b> Other Specify	<b>E or F</b> 2 pos. selector switch key operated	<b>1 to 8</b> 1 legend plate for 3 pos. selector switch			
<b>9</b> Other Specify			<b>G or H</b> 3 pos. selector switch	<b>X</b> 3 legend plates for 3 pos. selector switch and START STOP push button			
			<b>J or K</b> 3 pos. selector switch spring return	<b>9</b> Other Specify			
			<b>L or M</b> 3 pos. selector switch key operated				
			<b>N or P</b> 3 pos. selector switch spring return key operated				
			<b>T or U</b> 3 pos. selector switch and 2 push buttons START STOP for hand operation				
			<b>9</b> Other Specify				

15  
LOW VOLTAGE  
MOTOR STARTERS

# Full Voltage Non-Reversing

NEMA 4X Non-Metallic

*Selection*

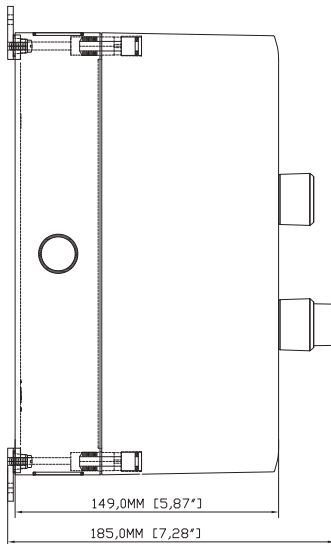
Non-Combination - Up to 10HP - 600V



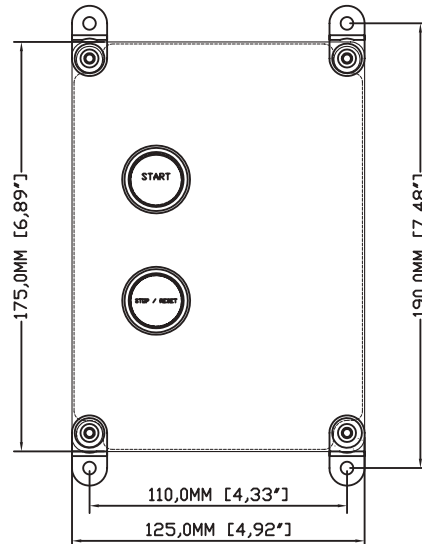
## Features

- High quality and reliability
- Up to 10HP at 600V rating
- 1 NO auxiliary contact
- Class 10 bimetal overload relays including:
  - Manual reset
  - Phase Loss Protection
  - Separate Trip or Alarm contact
- NEMA 4X polycarbonate enclosure with conduit entry knockouts
- Offered in 120V AC separate control
- Wiring kit for single phase

15  
LOW VOLTAGE  
MOTOR STARTERS



SIDE VIEW OF ENCLOSURE



TOP OF ENCLOSURE

Enclosed Amps	CSA Maximum HP Rating						Pilot Devices	Coil Voltage	Contactor Reference Number	Aux. Contacts supplied as standard per contactor		Enclosure Plastic CSA type 4X Order No.
	1 phase		3-phase							NO	NC	
11	0.5	1.5	3	3	7.5	10	Mechanical Start/Stop Pushbutton	17	1	0	3RE3110-00A17-1AB0	
11	0.5	1.5	3	3	7.5	10					3RE3110-00A17-1AK6	
11	0.5	1.5	3	3	7.5	10					3RE3110-00A17-1AP6	

# Full Voltage Non-Reversing

## Overload Range and Short Circuit Ratings

Selection

HP	Power Line Voltage	FLC*	Contactors	"Bimetallic O/L (Class 10)"	O/L Range	"WHEN PROTECTED BY OVER CURRENT PROTECTION" Fuse type CC, RK1, RK5, K5, J	"KAIC Rating"
1/10	120V/1PH	3	3RT2017/18	3RU2116-1EB0	2.8 - 4.0 A	15	5 Kaic
1/8	120V/1PH	3.8	3RT2017/18	3RU2116-1FB0	3.5 - 5.0 A	20	5 Kaic
1/6	120V/1PH	4.4	3RT2017/18	3RU2116-1FB0	3.5 - 5.0 A	20	5 Kaic
1/4	120V/1PH	5.8	3RT2017/18	3RU2116-1GB0	4.5 - 6.3 A	25	5 Kaic
1/3	120V/1PH	7.2	3RT2017/18	3RU2116-1HB0	5.5 - 8.0 A	30	5 Kaic
1/2	120V/1PH	9.8	3RT2017/18	3RU2116-1KB0	9.0 - 12.5 A	45 / 50 J	5 Kaic
1/4	208V/3PH	1.1	3RT2017/18	3RU2116-0KB0	0.9 - 1.25 A	3	1 Kaic
1/3	208V/3PH	1.33	3RT2017/18	3RU2116-1AB0	1.1 - 1.6 A	6	1 Kaic
1/2	208V/3PH	2.42	3RT2017/18	3RU2116-1CB0	1.8 - 2.5 A	10	5 Kaic
3/4	208V/3PH	3.52	3RT2017/18	3RU2116-1EB0	2.8 - 4.0 A	15	5 Kaic
1	208V/3PH	4.62	3RT2017/18	3RU2116-1GB0	4.5 - 6.3 A	25	5 Kaic
1 <sup>1/2</sup>	208V/3PH	6.6	3RT2017/18	3RU2116-1HB0	5.5 - 8.0 A	30	5 Kaic
2	208V/3PH	7.48	3RT2017/18	3RU2116-1JB0	7.0 - 10 A	40	5 Kaic
3	208V/3PH	10.56	3RT2017/18	3RU2116-1KB0	9.0 - 12.5 A	45 / 50 J	5 Kaic
1/10	240V/1PH	1.5	3RT2017/18	3RU2116-1AB0	1.1 - 1.6 A	6	1 Kaic
1/8	240V/1PH	1.9	3RT2017/18	3RU2116-1CB0	1.8 - 2.5 A	10	5 Kaic
1/6	240V/1PH	2.2	3RT2017/18	3RU2116-1CB0	1.8 - 2.5 A	10	5 Kaic
1/4	240V/1PH	2.9	3RT2017/18	3RU2116-1DB0	2.2 - 3.2 A	10	5 Kaic
1/3	240V/1PH	3.6	3RT2017/18	3RU2116-1EB0	2.8 - 4.0 A	15	5 Kaic
1/2	240V/1PH	4.9	3RT2017/18	3RU2116-1GB0	4.5 - 6.3 A	25	5 Kaic
3/4	240V/1PH	6.9	3RT2017/18	3RU2116-1HB0	5.5 - 8.0 A	30	5 Kaic
1	240V/1PH	8	3RT2017/18	3RU2116-1JB0	7.0 - 10 A	40	5 Kaic
1 <sup>1/2</sup>	240V/1PH	10	3RT2017/18	3RU2116-1KB0	9.0 - 12.5 A	45 / 50 J	5 Kaic
1/4	240V/3PH	0.96	3RT2017/18	3RU2116-0KB0	0.9 - 1.25 A	3	1 Kaic
1/3	240V/3PH	1.16	3RT2017/18	3RU2116-1AB0	1.1 - 1.6 A	6	1 Kaic
1/2	240V/3PH	2.2	3RT2017/18	3RU2116-1CB0	1.8 - 2.5 A	10	5 Kaic
3/4	240V/3PH	3.2	3RT2017/18	3RU2116-1EB0	2.8 - 4.0 A	15	5 Kaic
1	240V/3PH	4.2	3RT2017/18	3RU2116-1FB0	3.5 - 5.0 A	20	5 Kaic
1 <sup>1/2</sup>	240V/3PH	6	3RT2017/18	3RU2116-1HB0	5.5 - 8.0 A	30	5 Kaic
2	240V/3PH	6.8	3RT2017/18	3RU2116-1HB0	5.5 - 8.0 A	30	5 Kaic
3	240V/3PH	9.6	3RT2017/18	3RU2116-1KB0	9.0 - 12.5 A	45 / 50 J	5 Kaic
1/4	480V/3PH	0.48	3RT2017/18	3RU2116-0GB0	0.45 - 0.63 A	3	1 Kaic
1/3	480V/3PH	0.58	3RT2017/18	3RU2116-0HB0	0.55 - 0.8 A	3	1 Kaic
1/2	480V/3PH	1	3RT2017/18	3RU2116-0JB0	0.7 - 1.0 A	3	1 Kaic
3/4	480V/3PH	1.4	3RT2017/18	3RU2116-1AB0	1.1 - 1.6 A	6	1 Kaic
1	480V/3PH	1.8	3RT2017/18	3RU2116-1CB0	1.8 - 2.5 A	10	5 Kaic
1 <sup>1/2</sup>	480V/3PH	2.6	3RT2017/18	3RU2116-1DB0	2.2 - 3.2 A	10	5 Kaic
2	480V/3PH	3.4	3RT2017/18	3RU2116-1EB0	2.8 - 4.0 A	15	5 Kaic
3	480V/3PH	4.8	3RT2017/18	3RU2116-1FB0	3.5 - 5.0 A	20	5 Kaic
5	480V/3PH	7.6	3RT2017/18	3RU2116-1JB0	7.0 - 10 A	40	5 Kaic
7 <sup>1/2</sup>	480V/3PH	11	3RT2017/18	3RU2116-1KB0	9.0 - 12.5 A	45 / 50 J	5 Kaic
1/4	600V/3PH	0.38	3RT2017/18	3RU2116-0FB0	0.35 - 0.5 A	1	1 Kaic
1/3	600V/3PH	0.47	3RT2017/18	3RU2116-0GB0	0.45 - 0.63 A	3	1 Kaic
1/2	600V/3PH	0.9	3RT2017/18	3RU2116-0JB0	0.7 - 1.0 A	3	1 Kaic
3/4	600V/3PH	1.3	3RT2017/18	3RU2116-1AB0	1.1 - 1.6 A	6	1 Kaic
1	600V/3PH	1.7	3RT2017/18	3RU2116-1BB0	1.4 - 2.0 A	6	5 Kaic
1 <sup>1/2</sup>	600V/3PH	2.4	3RT2017/18	3RU2116-1CB0	1.8 - 2.5 A	10	5 Kaic
2	600V/3PH	2.7	3RT2017/18	3RU2116-1DB0	2.2 - 3.2 A	10	5 Kaic
3	600V/3PH	3.9	3RT2017/18	3RU2116-1EB0	2.8 - 4.0 A	15	5 Kaic
5	600V/3PH	6.1	3RT2017/18	3RU2116-1HB0	5.5 - 8.0 A	30	5 Kaic
7 <sup>1/2</sup>	600V/3PH	9	3RT2017/18	3RU2116-1JB0	7.0 - 10 A	40	5 Kaic
10	600V/3PH	11	3RT2017/18	3RU2116-1KB0	9.0 - 12.5 A	45 / 50 J	5 Kaic

15  
LOW VOLTAGE  
MOTOR STARTERS

**Note:**

FLC: as per CSA 22.2 No.14-13 table 18A.

For all the 3RU2116 Overloads, the contactor can be use are 3RT2017, 3RT2018, 11 Amps max. in the enclosure

# Full Voltage Non-Reversing

NEMA 4X Non-Metallic

*Selection*

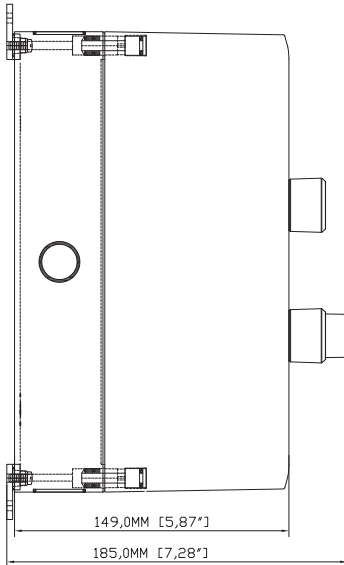
Non-Combination - Up to 10HP - 600V

## Features

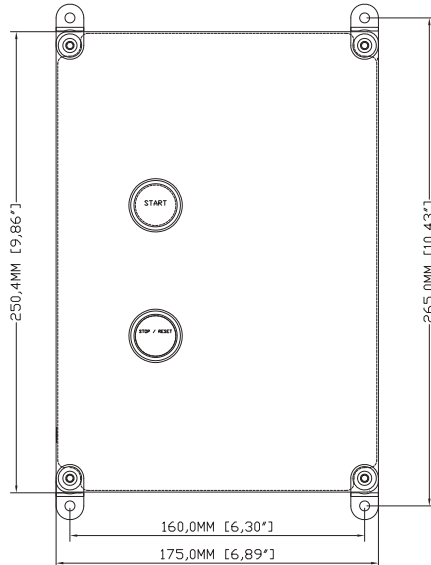
- High quality and reliability
- Up to 20HP at 600V rating
- 1 NO + 1NC auxiliary contact
- Class 10 bimetal overload relays including:
  - Manual reset
  - Phase Loss Protection
  - Separate Trip and/or Alarm contact
- NEMA 4X polycarbonate enclosure with conduit entry knockouts
- Offered in 120V AC separate control
- Wiring kit for single phase conversion included



15  
LOW VOLTAGE  
MOTOR STARTERS



SIDE VIEW OF ENCLOSURE



TOP OF ENCLOSURE

Enclosed Amps	CSA Maximum HP Rating						Pilot Devices	Coil Voltage	Contactor Reference Number	Aux. Contacts supplied as standard per contactor		Enclosure Plastic CSA type 4X Order No.	
	1 phase		3-phase							NO	NC		
	120V	240V	208V	240V	480V	600V							
22	1.5	3	5	7.5	15	20	Mechanical Start/Stop Pushbutton	24V <sup>①</sup>	27	1	1	3RE3120-00A27-0AB0	
22	1.5	3	5	7.5	15	20						120V	3RE3120-00A27-0AK6
22	1.5	3	5	7.5	15	20						240V <sup>①</sup>	3RE3120-00A27-0AP6

# Full Voltage Non-Reversing

## Overload Range and Short Circuit Ratings

Selection

HP	Power Line Voltage / Phase	FLC*	Contactora	Bimetallic O/L	O/L Range / Amp	"WHEN PROTECTED BY OVER CURRENT PROTECTION Fuse Type"	KAIC Rating
(Class / Classe 10)							
						CC, RK1, RK5, K5, J	
1/10	120V/1PH (Monophase)	3	3RT2027/28	3RU2126-1EB0	2.8 - 4.0 A	15	5 Kaic
1/8	120V/1PH (Monophase)	3.8	3RT2027/28	3RU2126-1FB0	3.5 - 5.0 A	20	5 Kaic
1/6	120V/1PH (Monophase)	4.4	3RT2027/28	3RU2126-1FB0	3.5 - 5.0 A	20	5 Kaic
1/4	120V/1PH (Monophase)	5.8	3RT2027/28	3RU2126-1GB0	4.5 - 6.3 A	25	5 Kaic
1/3	120V/1PH (Monophase)	7.2	3RT2027/28	3RU2126-1HB0	5.5 - 8.0 A	30	5 Kaic
1/2	120V/1PH (Monophase)	9.8	3RT2027/28	3RU2126-1KB0	9.0 - 12.5 A	45 / 50J	5 Kaic
3/4	120V/1PH (Monophase)	13.8	3RT2027/28	3RU2126-4AB0	11 - 16 A	60	5 Kaic
1	120V/1PH (Monophase)	16	3RT2027/28	3RU2126-4BB0	14 - 20 A	60	5 Kaic
1 1/2	120V/1PH (Monophase)	20	3RT2027/28	3RU2126-4CB0	17 - 22 A	80	5 Kaic
1/2	208V/3PH (Triphase)	2.42	3RT2027/28	3RU2126-1CB0	1.8 - 2.5 A	10	5 Kaic
3/4	208V/3PH (Triphase)	3.52	3RT2027/28	3RU2126-1EB0	2.8 - 4.0 A	15	5 Kaic
1	208V/3PH (Triphase)	4.62	3RT2027/28	3RU2126-1GB0	4.5 - 6.3 A	25	5 Kaic
1 1/2	208V/3PH (Triphase)	6.6	3RT2027/28	3RU2126-1HB0	5.5 - 8.0 A	30	5 Kaic
2	208V/3PH (Triphase)	7.48	3RT2027/28	3RU2126-1JB0	7.0 - 10 A	40	5 Kaic
3	208V/3PH (Triphase)	10.56	3RT2027/28	3RU2126-1KB0	9.0 - 12.5 A	45 / 50J	5 Kaic
5	208V/3PH (Triphase)	16.72	3RT2027/28	3RU2126-4BB0	14 - 20 A	80	5 Kaic
1/8	240V/1PH (Monophase)	1.9	3RT2027/28	3RU2126-1CB0	1.8 - 2.5 A	10	5 Kaic
1/6	240V/1PH (Monophase)	2.2	3RT2027/28	3RU2126-1CB0	1.8 - 2.5 A	10	5 Kaic
1/4	240V/1PH (Monophase)	2.9	3RT2027/28	3RU2126-1DB0	2.2 - 3.2 A	10	5 Kaic
1/3	240V/1PH (Monophase)	3.6	3RT2027/28	3RU2126-1EB0	2.8 - 4.0 A	15	5 Kaic
1/2	240V/1PH (Monophase)	4.9	3RT2027/28	3RU2126-1GB0	4.5 - 6.3 A	25	5 Kaic
3/4	240V/1PH (Monophase)	6.9	3RT2027/28	3RU2126-1HB0	5.5 - 8.0 A	30	5 Kaic
1	240V/1PH (Monophase)	8	3RT2027/28	3RU2126-1JB0	7.0 - 10 A	40	5 Kaic
1 1/2	240V/1PH (Monophase)	10	3RT2027/28	3RU2126-1KB0	9.0 - 12.5 A	45 / 50J	5 Kaic
2	240V/1PH (Monophase)	12	3RT2027/28	3RU2126-1KB0	9.0 - 12.5 A	45 / 50J	5 Kaic
3	240V/1PH (Monophase)	17	3RT2027/28	3RU2126-4BB0	14 - 20 A	80	5 Kaic
1/2	240V/3PH (Triphase)	2.2	3RT2027/28	3RU2126-1CB0	1.8 - 2.5 A	10	5 Kaic
3/4	240V/3PH (Triphase)	3.2	3RT2027/28	3RU2126-1EB0	2.8 - 4.0 A	15	5 Kaic
1	240V/3PH (Triphase)	4.2	3RT2027/28	3RU2126-1FB0	3.5 - 5.0 A	20	5 Kaic
1 1/2	240V/3PH (Triphase)	6	3RT2027/28	3RU2126-1HB0	5.5 - 8.0 A	30	5 Kaic
2	240V/3PH (Triphase)	6.8	3RT2027/28	3RU2126-1HB0	5.5 - 8.0 A	30	5 Kaic
3	240V/3PH (Triphase)	9.6	3RT2027/28	3RU2126-1KB0	9.0 - 12.5 A	45 / 50J	5 Kaic
5	240V/3PH (Triphase)	15.2	3RT2027/28	3RU2126-4BB0	14 - 20 A	60	5 Kaic
7 1/2	240V/3PH (Triphase)	22	3RT2027/28	3RU2126-4DB0	22 - 25 A	90 / 100J	5 Kaic
1	480V/3PH (Triphase)	1.8	3RT2027/28	3RU2126-1CB0	1.8 - 2.5 A	10	5 Kaic
1 1/2	480V/3PH (Triphase)	2.6	3RT2027/28	3RU2126-1DB0	2.2 - 3.2 A	10	5 Kaic
2	480V/3PH (Triphase)	3.4	3RT2027/28	3RU2126-1EB0	2.8 - 4.0 A	15	5 Kaic
3	480V/3PH (Triphase)	4.8	3RT2027/28	3RU2126-1FB0	3.5 - 5.0 A	20	5 Kaic
5	480V/3PH (Triphase)	7.6	3RT2027/28	3RU2126-1JB0	7.0 - 10 A	40	5 Kaic
7 1/2	480V/3PH (Triphase)	11	3RT2027/28	3RU2126-1KB0	9.0 - 12.5 A	45 / 50J	5 Kaic
10	480V/3PH (Triphase)	14	3RT2027/28	3RU2126-4AB0	11 - 16 A	60	5 Kaic
15	480V/3PH (Triphase)	21	3RT2027/28	3RU2126-4CB0	17 - 22 A	80	5 Kaic
1 1/2	600V/3PH (Triphase)	2.4	3RT2027/28	3RU2126-1CB0	1.8 - 2.5 A	10	5 Kaic
2	600V/3PH (Triphase)	2.7	3RT2027/28	3RU2126-1DB0	2.2 - 3.2 A	10	5 Kaic
3	600V/3PH (Triphase)	3.9	3RT2027/28	3RU2126-1EB0	2.8 - 4.0 A	15	5 Kaic
5	600V/3PH (Triphase)	6.1	3RT2027/28	3RU2126-1HB0	5.5 - 8.0 A	30	5 Kaic
7 1/2	600V/3PH (Triphase)	9	3RT2027/28	3RU2126-1JB0	7.0 - 10 A	40	5 Kaic
10	600V/3PH (Triphase)	11	3RT2027/28	3RU2126-1KB0	9.0 - 12.5 A	45 / 50J	5 Kaic
15	600V/3PH (Triphase)	17	3RT2027/28	3RU2126-4BB0	14 - 20 A	80	5 Kaic
20	600V/3PH (Triphase)	22	3RT2027/28	3RU2126-4DB0	22 - 25 A	90 / 100J	5 Kaic

15 LOW VOLTAGE MOTOR STARTERS

**Note:**

FLC: as per CSA 22.2 No.14-13 table 18A.

For all the 3RU2126 Overloads the contactor can be use are 3RT2027, 3RT2028, 22 Amps max. in the enclosure.

# Full Voltage Non-Reversing

## Full Voltage Metallic

Selection

### General

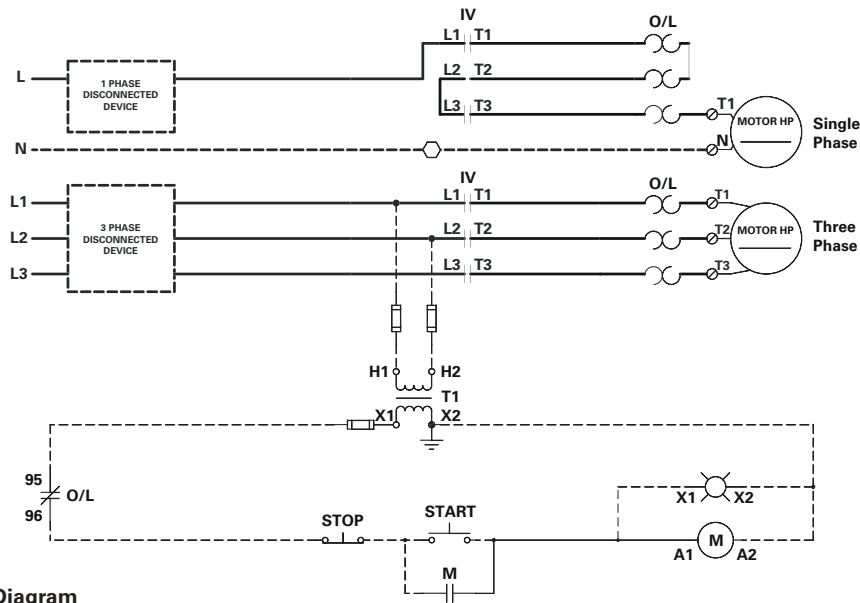
#### Description

Siemens full voltage non-reversing type starters are designed for full voltage across-the-line starting of single or 3-phase squirrel cage motors. They also can be used as the primary control of wound rotor motors.

Combined with short circuit protection, FVNR starters are also offered as combination starters.

- Fusible disconnect type complete with Form II, Class C fuse clips, or as an option, Form I, Class J fuse clips.
- Circuit breaker type or as Non-Fusible Controller.

FVNR starters are available up to 100HP, 600V AC, EEMAC type 1 or 12 sheet metal enclosed. They are an assembly of the proven 3RT contactors and the exclusive 3RU bimetal overload relays.



FVNR Typical Wiring Diagram

Catalogue Number:

HP Rated Starter

V 1 A B 15 K . . . . . Z . .

Disconnect Type

Starter Type

Enclosure Type

Contactor Ref.

Coil Voltage

Overload Relay P. 14-19

Power Line Volt. and Control Circuit P. 14-20

Additional Aux. Contacts P. 14-21

Pilot Devices Operators P. 14-22

Pilot Devices Indicators P. 14-23

Other options P. 14-24

(fuse clips, control & timing relays, metering & protective devices, etc)



# Full Voltage Non-Reversing

## Non-Combination

Selection

Standard Features	Ordering Information Required	Coil Voltage Codes		
		ACV 60 Hz	ACV 50 Hz	Coil Suffix
<ul style="list-style-type: none"> <li>1 NO auxiliary contact on all 20A enclosed, 10 HP at 600V starters</li> <li>2 NO + 2NC auxiliary contacts on all other sizes</li> <li>Class 10 bimetal overload relays including:                             <ul style="list-style-type: none"> <li>- Manual or Automatic reset</li> <li>- Phase Loss Protection</li> <li>- Separate Trip and Alarm contact</li> </ul> </li> <li>All enclosures are designed to accept a standard sized control transformer</li> <li>All enclosures have provisions for up to 4 pilot devices</li> </ul>	<ul style="list-style-type: none"> <li>Select basic type nr. from table below.</li> <li>Add suffix for overload relay setting range from page 15-23</li> <li>Add suffix for factory modification from page 15-24 to 15-28</li> </ul>	24	20	C
		120	110	K
		208	-	M
		240	220	P
		460	380	V
		600	-	T
		other voltages and frequencies are available upon request		

The type numbers in the selection table specify a 120V 60 Hz coil. If a different coil voltage is required, change the "K" (7 digit) as per Coil Suffix Table above.

Non-Combination													
Enclosed Amps	CSA MAXIMUM HP RATING						Contactor reference number	Aux, Contacts supplied as standard per contactor		Enclosure Sheet Metal			
	1 phase		3 phase					NO	NC	CSA / EEMAC Type 1 General Purpose Enclosure		CSA Type 5 / EEMAC Type 12 Industrial Use	
	115V	230V	200V	230V	460V	575V				Catalogue Number	Encl. Fig.	Catalogue Number	Encl. Fig.
20	1/4	3/4	1 1/2	2	3	5	15	1	-	V1AB15K..	V0	V1AC15K..	S
	1/3	1	2	3	5	7 1/2	16	1	-	V1AB16K..		V1AC16K..	
	1/2	2	3	3	7 1/2	10	17	1	-	V1AB17K..		V1AC17K..	
35	1	3	5	5	10	15	25	2	2	V1AB25K..	V1	V1AC25K..	S
	2	3	7 1/2	7 1/2	15	20	26	2	2	V1AB26K..		V1AC26K..	
	2	5	7 1/2	10	20	25	33	2	2	V1AB33K..		V1AC33K..	
45	2	5	10	10	25	30	34	2	2	V1AB34K..	V1	V1AC34K..	S
55	3	7 1/2	10	15	30	40	35	2	2	V1AB35K..	V1	V1AC35K..	S
	3	10	15	15	40	50	36	2	2	V1AB36K..		V1AC36K..	
90	5	15	20	25	50	60	44	2	2	V1AB44K..	V2	V1AC44K..	H2
105	7 1/2	15	25	30	60	75	45	2	2	V1AB45K..	V2	V1AC45K..	H2
	10	-	30	30	75	100	46	2	2	V1AB46K..		V1AC46K..	

15  
LOW VOLTAGE  
MOTOR STARTERS



# Full Voltage Non-Reversing

## Replacement Parts

Selection

### Circuit Breaker Combination

Standard Features	Ordering Information Required	Coil Voltage Codes		
		ACV 60 Hz	ACV 50 Hz	Coil Suffix
<ul style="list-style-type: none"> <li>▪ 1 NO auxiliary contact on all 20A enclosed, 10 HP at 600V starters</li> <li>▪ 2 NO + 2NC auxiliary contacts on all other sizes</li> <li>▪ Class 10 bimetal overload relays including:                             <ul style="list-style-type: none"> <li>- Manual or Automatic reset</li> <li>- Phase Loss Protection</li> <li>- Separate Trip and Alarm contact</li> </ul> </li> <li>▪ All enclosures are designed to accept a standard sized control transformer</li> <li>▪ All enclosures have provisions for up to 4 pilot devices</li> </ul>	<ul style="list-style-type: none"> <li>▪ Select basic type nr. from table below</li> <li>▪ Add suffix for overload relay setting range from page 15-23</li> <li>▪ Add suffix for factory modification from page 15-24 to 15-28</li> </ul>	24	20	<b>C</b>
		120	110	<b>K</b>
		208	-	<b>M</b>
		240	220	<b>P</b>
		460	380	<b>V</b>
		600	-	<b>T</b>
		other voltages and frequencies are available upon request		

The type numbers in the selection table specify a 120V 60 Hz coil. If a different coil voltage is required, change the "K" (7 digit) as per Coil Suffix Table above.

Circuit Breaker Combination <sup>Ⓞ</sup>													
Enclosed Amps	CSA MAXIMUM HP RATING						Contactor reference number	Aux, Contacts supplied as standard per contactor		Enclosure Sheet Metal			
	1 phase		3 phase					NO	NC	CSA / EEMAC Type 1 General Purpose Enclosure		CSA Type 5 / EEMAC Type 12 Industrial Use	
	115V	230V	200V	230V	460V	575V				Catalogue Number	Encl. Fig.	Catalogue Number	Encl. Fig.
20	1/4	3/4	1 1/2	2	3	5	15	1	-	V2AB15K..	V2	V2AC15K..	H2
	1/3	1	2	3	5	7 1/2	16	1	-	V2AB16K..		V2AC16K..	
	1/2	2	3	3	7 1/2	10	17	1	-	V2AB17K..		V2AC17K..	
35	1	3	5	5	10	15	25	2	2	V2AB25K..	V2	V2AC25K..	H2
	2	3	7 1/2	7 1/2	15	20	26	2	2	V2AB26K..		V2AC26K..	
	2	5	7 1/2	10	20	25	33	2	2	V2AB33K..		V2AC33K..	
45	2	5	10	10	25	30	34	2	2	V2AB34K..	V2	V2AC34K..	H2
55	3	7 1/2	10	15	30	40	35	2	2	V2AB35K..	V2	V2AC35K..	H2
	3	10	15	15	40	50	36	2	2	V2AB36K..		V2AC36K..	
90	5	15	20	25	50	60	44	2	2	V2AB44K..	V4	V2AC44K..	H5
105	7 1/2	15	25	30	60	75	45	2	2	V2AB45K..	V4	V2AC45K..	H5
	10	-	30	30	75	100	46	2	2	V2AB46K..		V2AC46K..	

<sup>Ⓞ</sup> Factory will automatically select the circuit breaker based on standard or given motor full-load current and the following:  
 - Continuous-current rating of a minimum 115% of motor full-load current.  
 - Trip-setting position is 11 times motor full load current.

# Full Voltage Non-Reversing

## Fusible Switch Combination and Non-Fusible Starter

Selection

Standard Features	Ordering Information Required	Coil Voltage Codes		
		ACV 60 Hz	ACV 50 Hz	Coil Suffix
<ul style="list-style-type: none"> <li>1 NO auxiliary contact on all 20A enclosed, 10 HP at 600V starters</li> <li>2 NO + 2NC auxiliary contacts on all other sizes</li> <li>Class 10 bimetal overload relays including:                             <ul style="list-style-type: none"> <li>- Manual or Automatic reset</li> <li>- Phase Loss Protection</li> <li>- Separate Trip and Alarm contact</li> </ul> </li> <li>All enclosures are designed to accept a standard sized control transformer</li> <li>All enclosures have provisions for up to 4 pilot devices</li> </ul>	<ul style="list-style-type: none"> <li>Select basic type nr. from table below</li> <li>Add suffix for overload relay setting range from page 15-23</li> <li>Add suffix for factory modification from page 15-24 to 15-28</li> </ul>	24	20	C
		120	110	K
		208	-	M
		240	220	P
		460	380	V
		600	-	T
		other voltages and frequencies are available upon request		

The type numbers in the selection table specify a 120V 60 Hz coil. If a different coil voltage is required, change the "K" (7 digit) as per Coil Suffix Table above.

Fusible Switch Combinations and Non-Fusible Starters																
Enclosed Amps	CSA MAXIMUM HP RATING						FUSE <sup>®</sup> CLIPS Type IIC Amps	Contactor reference number	Aux, Contacts supplied as standard per contactor		Enclosure Sheet Metal					
	1 phase		3 phase						NO		NC		CSA / EEMAC Type 1 General Purpose Enclosure		CSA Type 5 / EEMAC Type 12 Industrial Use	
	115V	230V	200V	230V	460V	575V			Catalogue Number	Encl. Fig.	Catalogue Number	Encl. Fig.				
20	1/4	3/4	1 1/2	2	3	5	NONE 30	15	1	-	V3AB15K.. V4AB15K..	V2	V3AC15K.. V4AC15K..	H2		
	1/3	1	2	3	5	7 1/2	NONE 30	16	1	-	V3AB16K.. V4AB16K..		V3AC16K.. V4AC16K..			
	1/2	2	3	3	7 1/2	10	NONE 30	17	1	-	V3AB17K.. V4AB17K..		V3AC17K.. V4AC17K..			
35	1	3	5	5	10	15	NONE 30 60	25	2	2	V3AB25K.. V4AB25K.. V4AB25K..	V2	V3AC25K.. V4AC25K.. V4AC25K..	H2		
	2	3	7 1/2	7 1/2	15	20	NONE 30 60	26	2	2	V3AB26K.. V4AB26K.. V4AB26K..		V3AC26K.. V4AC26K.. V4AC26K..			
	2	5	7 1/2	10	20	25	NONE 30 60	33	2	2	V3AB33K.. V4AB33K.. V4AB33K..		V3AC33K.. V4AC33K.. V4AC33K..			
45	2	5	10	10	25	30	NONE 30 60	34	2	2	V3AB34K.. V4AB34K.. V4AB34K..	V2	V3AC34K.. V4AC34K.. V4AC34K..	H2		
55	3	7 1/2	10	15	30	40	NONE 30 60	35	2	2	V3AB35K.. V4AB35K.. V4AB35K..	V2	V3AC35K.. V4AC35K.. V4AC35K..	H2		
	3	10	15	15	40	50	NONE 30 60 100	36	2	2	V3AB36K.. V4AB36K.. V4AB36K.. V4AB36K..		V3AC36K.. V4AC36K.. V4AC36K.. V4AC36K..			
90	5	15	20	25	50	60	NONE 30 60 100	44	2	2	V3AB44K.. V4AB44K.. V4AB44K.. V4AB44K..	V4	V3AC44K.. V4AC44K.. V4AC44K.. V4AC44K..	H5		
105	7 1/2	15	25	30	60	75	NONE 60 100 200	45	2	2	V3AB45K.. V4AB45K.. V4AB45K.. V4AB45K..	V4	V3AC45K.. V4AC45K.. V4AC45K.. V4AC45K..	H5		
	10	-	30	30	75	100	NONE 200	46	2	2	V3AB46K.. V4AB46K..		V3AC46K.. V4AC46K..			

© Starters are suitable for HRC IIC Fuses. Refer to page 15-23 for HRC IJ Fuse Clips.

# Full Voltage Reversing

## General

*Selection*

SIRIUS HP Rated Magnetic Starters

### Description

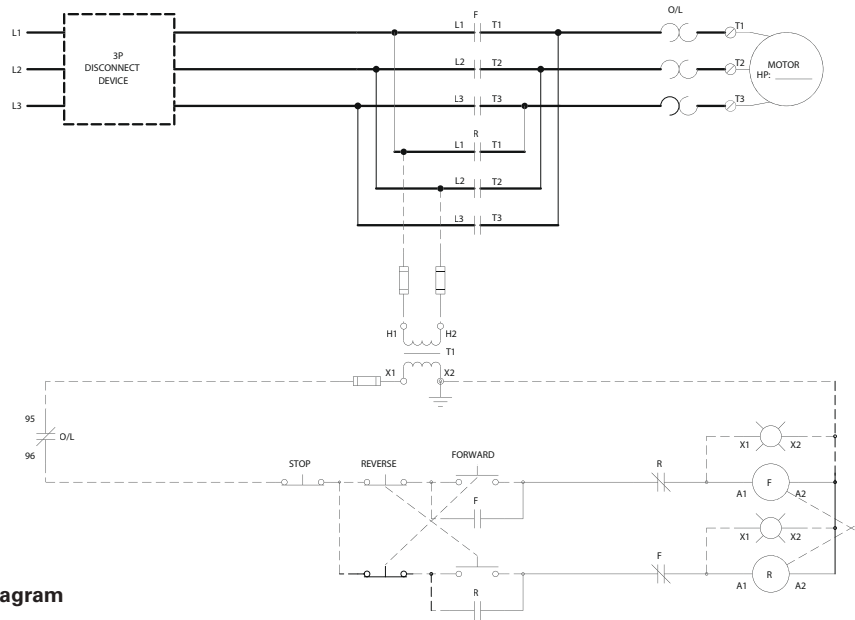
Siemens full voltage reversing type starters are designed for full voltage across-the-line starting and reversing of single or 3-phase squirrel cage motors. They also can be used as the primary control of wound rotor motors.

Combined with short circuit protection, FVR starters are also offered as combination starters:

- Fusible disconnect type complete with Form II, Class C fuse clips, or as an option, Form I, Class J fuse clips.
- Circuit breaker type or as Non-Fusible Controller.

FVR - starters are available up to 100HP, 600V AC in EEMAC type 1 or 12 sheet metal enclosures.

FVR - starters are an assembly of the 3RA Reversing Contactor including electrical and mechanical interlock and a 3RU bimetallic overload relay.



**FVR Typical Wiring Diagram**

Catalogue No.:

**V 1 B B 15 K**

HP Rated Starter

Disconnect Type

Starter Type

Enclosure Type

Contactor Ref.

Coil Voltage

Overload Relay P. 14-19

Power Line Volt. and Control Circuit P. 14-20

Additional Aux. Contacts P. 14-21

Pilot Devices Operators P. 14-22

Pilot Devices Indicators P. 14-23

Other options P. 14-24

(fuse clips, control & timing relays, metering & protective devices, etc)

# Full Voltage Reversing

## Non-Combination

Selection

Standard Features	Ordering Information Required	Coil Voltage Codes		
		ACV 60 Hz	ACV 50 Hz	Coil Suffix
<ul style="list-style-type: none"> <li>Mechanical and electrical interlock</li> <li>2 NO + 2 NC auxiliary contacts per contactor. For the electrical interlock, a N.C. contact is provided separately.</li> <li>Class 10 bimetal overload relays including:                             <ul style="list-style-type: none"> <li>Manual or Automatic reset</li> <li>Phase Loss Protection</li> <li>Separate Trip and Alarm contact</li> </ul> </li> <li>All enclosures are designed to accept a standard sized control transformer</li> <li>All enclosures have provisions for up to 4 pilot devices</li> </ul>	<ul style="list-style-type: none"> <li>Select basic type nr. from table below</li> <li>Add suffix for overload relay setting range from page 15-23</li> <li>Add suffix for factory modification from page 15-24 to 15-28</li> </ul>	24	20	C
		120	110	K
		208	-	M
		240	220	P
		460	380	V
		600	-	T
		other voltages and frequencies are available upon request		

The type numbers in the selection table specify a 120V 60 Hz coil. If a different coil voltage is required, change the "K" (7 digit) as per Coil Suffix Table above.

Non-Combination													
Enclosed Amps	CSA MAXIMUM HP RATING						Contactor reference number	Aux, Contacts supplied as standard per contactor		Enclosure Sheet Metal			
	1 phase		3 phase					NO	NC	CSA / EEMAC Type 1 General Purpose Enclosure		CSA Type 5 / EEMAC Type 12 Industrial Use	
	115V	230V	200V	230V	460V	575V				Catalogue Number	Encl. Fig.	Catalogue Number	Encl. Fig.
20	1/4	3/4	1 <sup>1/2</sup>	2	3	5	15	2	2	V1BB15K..	V1	V1BC15K..	S
	1/3	1	2	3	5	7 <sup>1/2</sup>	16	2	2	V1BB16K..		V1BC16K..	
	1/2	2	3	3	7 <sup>1/2</sup>	10	17	2	2	V1BB17K..		V1BC17K..	
35	1	3	5	5	10	15	25	2	2	V1BB25K..	V1	V1BC25K..	S
	2	3	7 <sup>1/2</sup>	7 <sup>1/2</sup>	15	20	26	2	2	V1BB26K..	V1	V1BC26K..	S
	2	5	7 <sup>1/2</sup>	10	20	25	33	2	2	V1BB33K..	V2	V1BC33K..	H2
45	2	5	10	10	25	30	34	2	2	V1BB34K..	V2	V1BC34K..	H2
55	3	7 <sup>1/2</sup>	10	15	30	40	35	2	2	V1BB35K..	V2	V1BC35K..	H2
	3	10	15	15	40	50	36	2	2	V1BB36K..		V1BC36K..	
90	5	15	20	25	50	60	44	2	2	V1BB44K..	V3	V1BC44K..	H3
105	7 <sup>1/2</sup>	15	25	30	60	75	45	2	2	V1BB45K..	V3	V1BC45K..	H3
	10	-	30	30	75	100	46	2	2	V1BB46K..		V1BC46K..	

15 LOW VOLTAGE MOTOR STARTERS

# Full Voltage Reversing

## Circuit Breaker Combination

Selection

Standard Features	Ordering Information Required	Coil Voltage Codes		
		ACV 60 Hz	ACV 50 Hz	Coil Suffix
<ul style="list-style-type: none"> <li>▪ Mechanical and electrical interlock</li> <li>▪ 2 NO + 2 NC auxiliary contacts per contactor. For the electrical interlock, a N.C. contact is provided separately.</li> <li>▪ Class 10 bimetal overload relays including:                             <ul style="list-style-type: none"> <li>- Manual or Automatic reset</li> <li>- Phase Loss Protection</li> <li>- Separate Trip and Alarm contact</li> </ul> </li> <li>▪ All enclosures are designed to accept a standard sized control transformer</li> <li>▪ All enclosures have provisions for up to 4 pilot devices</li> </ul>	<ul style="list-style-type: none"> <li>▪ Select basic type nr. from table below</li> <li>▪ Add suffix for overload relay setting range from page 15-23</li> <li>▪ Add suffix for factory modification from page 15-24 to 15-28</li> </ul>	24	20	<b>C</b>
		120	110	<b>K</b>
		208	-	<b>M</b>
		240	220	<b>P</b>
		460	380	<b>V</b>
		600	-	<b>T</b>
		other voltages and frequencies are available upon request		

The type numbers in the selection table specify a 120V 60 Hz coil. If a different coil voltage is required, change the "K" (7 digit) as per Coil Suffix Table above.

Circuit Breaker Combination													
Enclosed Amps	CSA MAXIMUM HP RATING						Contactor reference number	Aux. Contacts supplied as standard per contactor		Enclosure Sheet Metal			
	1 phase		3 phase							CSA / EEMAC Type 1 General Purpose Enclosure		CSA Type 5 / EEMAC Type 12 Industrial Use	
	115V	230V	200V	230V	460V	575V		NO	NC	Catalogue Number	Encl. Fig.	Catalogue Number	Encl. Fig.
20	1/4	3/4	1 1/2	2	3	5	15	2	2	V2BB15K..	V3	V2BC15K..	H3
	1/3	1	2	3	5	7 1/2	16	2	2	V2BB16K..		V2BC16K..	
	1/2	2	3	3	7 1/2	10	17	2	2	V2BB17K..		V2BC17K..	
35	1	3	5	5	10	15	25	2	2	V2BB25K..	V3	V2BC25K..	H3
	2	3	7 1/2	7 1/2	15	20	26	2	2	V2BB26K..		V2BC26K..	
	2	5	7 1/2	10	20	25	33	2	2	V2BB33K..		V2BC33K..	
45	2	5	10	10	25	30	34	2	2	V2BB34K..	V3	V2BC34K..	H3
55	3	7 1/2	10	15	30	40	35	2	2	V2BB35K..	V3	V2BC35K..	H3
	3	10	15	15	40	50	36	2	2	V2AB36K..		V2AC36K..	
90	5	15	20	25	50	60	44	2	2	V2BB44K..	V4	V2BC44K..	H5
105	7 1/2	15	25	30	60	75	45	2	2	V2BB45K..	V4	V2BC45K..	H5
	10	-	30	30	75	100	46	2	2	V2AB46K..		V2AC46K..	

# Full Voltage Reversing

## Fusible Switch Combination and Non-Fusible Starter

Selection

Standard Features	Ordering Information Required	Coil Voltage Codes		
		ACV 60 Hz	ACV 50 Hz	Coil Suffix
<ul style="list-style-type: none"> <li>Mechanical and electrical interlock</li> <li>2 NO + 2 NC auxiliary contacts per contactor. For the electrical interlock, a N.C. contact is provided separately.</li> <li>Class 10 bimetallic overload relays including:                             <ul style="list-style-type: none"> <li>Manual or Automatic reset</li> <li>Phase Loss Protection</li> <li>Separate Trip and Alarm contact</li> </ul> </li> <li>All enclosures are designed to accept a standard sized control transformer</li> <li>All enclosures have provisions for up to 4 pilot devices</li> </ul>	<ul style="list-style-type: none"> <li>Select basic type nr. from table below</li> <li>Add suffix for overload relay setting range from page 15-23</li> <li>Add suffix for factory modification from page 15-24 to 15-28</li> </ul>	24	20	C
		120	110	K
		208	-	M
		240	220	P
		460	380	V
		600	-	T
other voltages and frequencies are available upon request				

The type numbers in the selection table specify a 120V 60 Hz coil. If a different coil voltage is required, change the "K" (7 digit) as per Coil Suffix Table above.

Fusible Switch Combinations and Non-Fusible Starters														
Enclosed Amps	CSA MAXIMUM HP RATING						FUZE CLIPS Type IIC Amps	Contactor reference number	Aux, Contacts supplied as standard per contactor		Enclosure Sheet Metal			
	1 phase		3 phase						CSA / EEMAC Type 1 General Purpose Enclosure		CSA Type 5 / EEMAC Type 12 Industrial Use			
	115V	230V	200V	230V	460V	575V			Catalogue Number	Encl. Fig.	Catalogue Number	Encl. Fig.		
20	1/4	3/4	1 1/2	2	3	5	NONE 30	15	2	2	V3BB15K.. V4BB15K..	V3	V3BC15K.. V4BC15K..	H3
	1/3	1	2	3	5	7 1/2	NONE 30	16	2	2	V3BB16K.. V4BB16K..		V3BC16K.. V4BC16K..	
	1/2	2	3	3	7 1/2	10	NONE 30	17	2	2	V3BB17K.. V4BB17K..		V3BC17K.. V4BC17K..	
35	1	3	5	5	10	15	NONE 30 60	25	2	2	V3BB25K.. V4BB25K.. V4BB25K..	V3	V3BC25K.. V4BC25K.. V4BC25K..	H3
	2	3	7 1/2	7 1/2	15	20	NONE 30 60	26	2	2	V3BB26K.. V4BB26K.. V4BB26K..		V3BC26K.. V4BC26K.. V4BC26K..	
	2	5	7 1/2	10	20	25	NONE 30 60	33	2	2	V3BB33K.. V4BB33K.. V4BB33K..		V3BC33K.. V4BC33K.. V4BC33K..	
45	2	5	10	10	25	30	NONE 30 60	34	2	2	V3BB34K.. V4BB34K.. V4BB34K..	V3	V3BC34K.. V4BC34K.. V4BC34K..	H3
55	3	7 1/2	10	15	30	40	NONE 30 60	35	2	2	V3BB35K.. V4BB35K.. V4BB35K..	V3	V3BC35K.. V4BC35K.. V4BC35K..	H3
	3	10	15	15	40	50	NONE 30 60 100	36	2	2	V3BB36K.. V4BB36K.. V4BB36K.. V4BB36K..		V3BC36K.. V4BC36K.. V4BC36K.. V4BC36K..	
90	5	15	20	25	50	60	NONE 30 60 100	44	2	2	V3BB44K.. V4BB44K.. V4BB44K.. V4BB44K..	V4	V3BC44K.. V4BC44K.. V4BC44K.. V4BC44K..	H5
105	7 1/2	15	25	30	60	75	NONE 60 100 200	45	2	2	V3BB45K.. V4BB45K.. V4BB45K.. V4BB45K..	V4	V3BC45K.. V4BC45K.. V4BC45K.. V4BC45K..	H5
	10	-	30	30	75	100	NONE 200	46	2	2	V3BB46K.. V4BB46K..		V3BC46K.. V4BC46K..	

15 LOW VOLTAGE MOTOR STARTERS



# Two Speed Starters

## General

## Selection

SIRIUS HP Rated Magnetic Starters

### Description

Full-voltage ac magnetic two speed controllers are designed to control reconnectable squirrel-cage induction motors for operation at two different constant speeds depending on the construction of the motor. These controllers are available in combination and non-combination types.

The speed of an induction motor is a function of the supply frequency and the number of poles of the motor winding. To obtain different speeds with a fixed supply frequency, the number of magnetic poles of the motor must be changed.

Characteristics at any speed are similar to those of a single-speed motor. There are two basic methods of providing multiple-pole combinations:

**Separate-Winding Motors** have a separate winding for each speed. This motor construction is slightly more expensive, but the controller is relatively simple, and a wide variety of speeds can be selected. Separate winding motors with delta connected motor windings require one corner to be opened on each unused winding.

**Consequent-Pole Motors** have a single winding for two speeds. Extra winding taps are brought out for reconnection for different number of stator poles. While the motor costs less, the controller is more complicated, and speed range is limited to a 2-to-1 ratio.

### Torque Characteristics

Multi-speed motors are divided into three application groups:

**Constant Torque** - HP output varies directly with speed, while torque remains constant. A constant-torque motor rated 100 HP at 1200 rpm delivers 50 HP at 600 rpm. This type is applicable to conveyors, mills, dough mixers, reciprocating pumps, and other similar loads.

**Variable Torque** - HP varies as a square of speed, while torque varies directly with speed. A variable-torque motor rated 100 HP at 1200 rpm delivers 25 HP at 600 rpm. This type is applicable to systems having fan or centrifugal pump characteristics.

**Constant Horsepower** - Motor delivers rated HP at all full-load speeds, while torque varies inversely to speed. This type is applicable to cutting tools, lathes, spindles, etc.

### Selection and Ordering

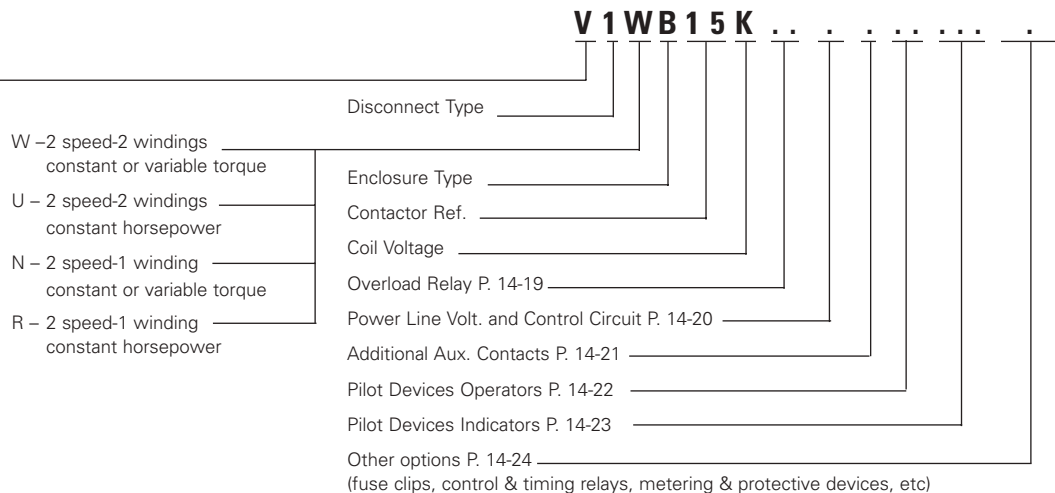
Starter ratings are based on the maximum HP at the highest speed. Electrical interlocking is furnished on all multi-speed starters to preclude connecting more than one speed winding at the same time. Both mechanical and electrical interlocking is provided wherever there is a possibility of short circuiting of the line.

Standard wiring permits starting the motor on any speed. To change a running motor to a higher speed, operator presses the desired speed button. To change to a lower speed, operator must press "stop" button before selecting the lower speed; allowing time for the motor to slow down, this reduces shock on driven machinery and surges on the power system.

When control at various speeds is by means of two-wire control devices, such as limit, pressure or float switches, deceleration relays should be used, unless both the motor manufacturer and the machine manufacturer have been consulted.

### Catalogue No.:

HP Rated Starter \_\_\_\_\_



# Two Speed Starters

## Non-Combination

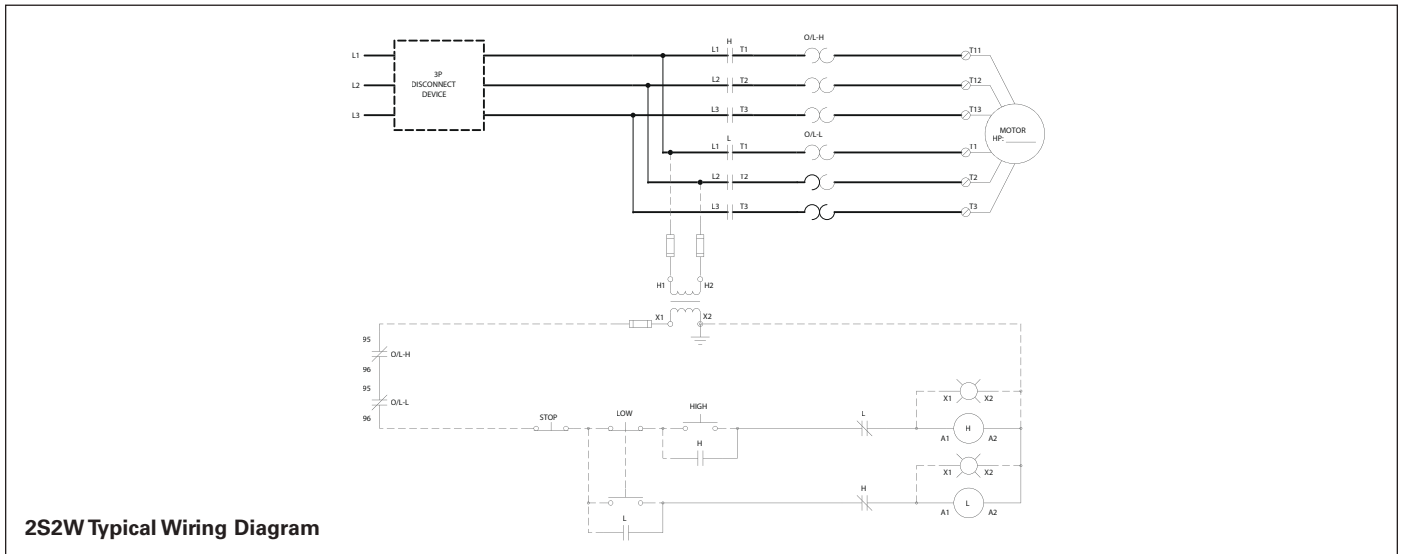
Selection

Standard Features	Ordering Information Required	Coil Voltage Codes		
		ACV 60 Hz	ACV 50 Hz	Coil Suffix
<ul style="list-style-type: none"> <li>For auxiliary contacts provided, see Selection Table below. 1 NC auxiliary contact of each contactor is used for the electrical interlock.</li> <li>Class 10 bimetallic overload relays including:                             <ul style="list-style-type: none"> <li>- Manual or Automatic reset</li> <li>- Phase Loss Protection</li> <li>- Separate Trip and Alarm contact</li> </ul> </li> <li>All enclosures are designed to accept a standard sized control transformer</li> <li>All enclosures have provisions for up to 4 pilot devices</li> </ul>	<ul style="list-style-type: none"> <li>Select basic type nr. from table below</li> <li>Add suffix for both overload relay setting range from page 15-23</li> <li>Add suffix for factory modification from page 15-24 to 15-28</li> </ul>	24	20	<b>C</b>
		120	110	<b>K</b>
		208	-	<b>M</b>
		240	220	<b>P</b>
		460	380	<b>V</b>
		600	-	<b>T</b>
		other voltages and frequencies are available upon request		

The type numbers in the selection table below specify 120V 60 Hz coils. If a different coil voltage is required, change the "K" (7 digit) as per Coil Suffix Table above.

Non-Combination													
Enclosed Amps	CSA MAXIMUM HP RATING						Contactor reference number	Aux, Contacts supplied as standard per contactor		Enclosure Sheet Metal			
	1 phase		3 phase					NO	NC	CSA / EEMAC Type 1 General Purpose Enclosure		CSA Type 5 / EEMAC Type 12 Industrial Use	
	115V	230V	200V	230V	460V	575V				Catalogue Number	Encl. Fig.	Catalogue Number	Encl. Fig.
20	1/4	3/4	1 1/2	2	3	5	15	3	2	V1WB15K..	V2	V1WC15K..	S
	1/3	1	2	3	5	7 1/2	16	3	2	V1WB16K..		V1WC16K..	
	1/2	2	3	3	7 1/2	10	17	3	2	V1WB17K..		V1WC17K..	
35	1	3	5	5	10	15	25	2	2	V1WB25K..	V1	V1WC25K..	H2
	2	3	7 1/2	7 1/2	15	20	26	2	2	V1WB26K..	V1	V1WC26K..	H2
	2	5	7 1/2	10	20	25	33	2	2	V1WB33K..	V2	V1WC33K..	H2
45	2	5	10	10	25	30	34	2	2	V1WB34K..	V2	V1WC34K..	H2
55	3	7 1/2	10	15	30	40	35	2	2	V1WB35K..	V2	V1WC35K..	H2
	3	10	15	15	40	50	36	2	2	V1WB36K..		V1WC36K..	
90	5	15	20	25	50	60	44	2	2	V1WB44K..	V3	V1WC44K..	H3
105	7 1/2	15	25	30	60	75	45	2	2	V1WB45K..	V3	V1WC45K..	H3
	10	-	30	30	75	100	46	2	2	V1WB46K..		V1WC46K..	

15 LOW VOLTAGE MOTOR STARTERS



2S2W Typical Wiring Diagram

# Two Speed Starters

## Circuit Breaker Combination

Selection

Standard Features	Ordering Information Required	Coil Voltage Codes		
		ACV 60 Hz	ACV 50 Hz	Coil Suffix
<ul style="list-style-type: none"> <li>For auxiliary contacts provided, see Selection Table below. 1 NC auxiliary contact of each contactor is used for the electrical interlock.</li> <li>Class 10 bimetallic overload relays including:                             <ul style="list-style-type: none"> <li>- Manual or Automatic reset</li> <li>- Phase Loss Protection</li> <li>- Separate Trip and Alarm contact</li> </ul> </li> <li>All enclosures are designed to accept a standard sized control transformer</li> <li>All enclosures have provisions for up to 4 pilot devices</li> </ul>	<ul style="list-style-type: none"> <li>Select basic type nr. from table below</li> <li>Add suffix for both overload relay setting range from page 15-23</li> <li>Add suffix for factory modification from page 15-24 to 15-28</li> </ul>	24	20	C
		120	110	K
		208	-	M
		240	220	P
		460	380	V
		600	-	T
		other voltages and frequencies are available upon request		

The type numbers in the selection table below specify 120V 60 Hz coils. If a different coil voltage is required, change the "K" (7 digit) as per Coil Suffix Table above.

Circuit Breaker Combination <sup>Ⓞ</sup>														
Enclosed Amps	CSA MAXIMUM HP RATING						Contactor reference number	Aux, Contacts supplied as standard per contactor		Enclosure Sheet Metal				
	1 phase		3 phase					NO	NC	CSA / EEMAC Type 1 General Purpose Enclosure			CSA Type 5 / EEMAC Type 12 Industrial Use	
	115V	230V	200V	230V	460V	575V				Catalogue Number	Encl. Fig.	Catalogue Number	Encl. Fig.	
20	1/4	3/4	1 <sup>1/2</sup>	2	3	5	15	3	2	V2WB15K..	V3	V2WC15K..	H3	
	1/3	1	2	3	5	7 <sup>1/2</sup>	16	3	2	V2WB16K..		V2WC16K..		
	1/2	2	3	3	7 <sup>1/2</sup>	10	17	3	2	V2WB17K..		V2WC17K..		
35	1	3	5	5	10	15	25	2	2	V2WB25K..	V3	V2WC25K..	H3	
	2	3	7 <sup>1/2</sup>	7 <sup>1/2</sup>	15	20	26	2	2	V2WB26K..		V2WC26K..		
	2	5	7 <sup>1/2</sup>	10	20	25	33	2	2	V2WB33K..		V2WC33K..		
45	2	5	10	10	25	30	34	2	2	V2WB34K..	V3	V2WC34K..	H3	
55	3	7 <sup>1/2</sup>	10	15	30	40	35	2	2	V2WB35K..	V3	V2WC35K..	H3	
	3	10	15	15	40	50	36	2	2	V2WB36K..		V2WC36K..		
90	5	15	20	25	50	60	44	2	2	V2WB44K..	V4	V2WC44K..	H5	
105	7 <sup>1/2</sup>	15	25	30	60	75	45	2	2	V2WB45K..	V4	V2WC45K..	H5	
	10	-	30	30	75	100	46	2	2	V2WB46K..		V2WC46K..		

<sup>Ⓞ</sup> Factory will automatically select the circuit breaker based on standard or given motor full-load current and the following:  
 - Continuous-current rating of a minimum 115% of motor full-load current.  
 - Trip-setting position is 11 times motor full load current.

# Two Speed Starters

## Fusible Switch Combination and Non-Fusible Starter

Selection

Standard Features	Ordering Information Required	Coil Voltage Codes		
		ACV 60 Hz	ACV 50 Hz	Coil Suffix
<ul style="list-style-type: none"> <li>For auxiliary contacts provided, see Selection Table below. 1 NC auxiliary contact of each contactor is used for the electrical interlock.</li> <li>Class 10 bimetallic overload relays including:                             <ul style="list-style-type: none"> <li>- Manual or Automatic reset</li> <li>- Phase Loss Protection</li> <li>- Separate Trip and Alarm contact</li> </ul> </li> <li>All enclosures are designed to accept a standard sized control transformer</li> <li>All enclosures have provisions for up to 4 pilot devices</li> </ul>	<ul style="list-style-type: none"> <li>Select basic type nr. from table below</li> <li>Add suffix for both overload relay setting range from page 15-23</li> <li>Add suffix for factory modification from page 15-24 to 15-28</li> </ul>	24	20	C
		120	110	K
		208	-	M
		240	220	P
		460	380	V
		600	-	T
		other voltages and frequencies are available upon request		

The type numbers in the selection table below specify 120V 60 Hz coils. If a different coil voltage is required, change the "K" (7 digit) as per Coil Suffix Table above.

Fusible Switch Combinations and Non-Fusible Starters														
Enclosed Amps	CSA MAXIMUM HP RATING						FUSE CLIPS Type IIC Amps	Contactor reference number	Aux, Contacts supplied as standard per contactor		Enclosure Sheet Metal			
	1 phase		3 phase								CSA / EEMAC Type 1 General Purpose Enclosure		CSA Type 5 / EEMAC Type 12 Industrial Use	
	115V	230V	200V	230V	460V	575V			NO	NC	Catalogue Number	Encl. Fig.	Catalogue Number	Encl. Fig.
20	1/4	3/4	1 1/2	2	3	5	NONE 30	15	2	2	V3WB15K.. V4WB15K..	V3	V3WC15K.. V4WC15K..	H3
	1/3	1	2	3	5	7 1/2	NONE 30	16	2	2	V3WB16K.. V4WB16K..		V3WC16K.. V4WC16K..	
	1/2	2	3	3	7 1/2	10	NONE 30	17	2	2	V3WB17K.. V4WB17K..		V3WC17K.. V4WC17K..	
35	1	3	5	5	10	15	NONE 30 60	25	2	2	V3WB25K.. V4WB25K.. V4WB25K..	V3	V3WC25K.. V4WC25K.. V4WC25K..	H3
	2	3	7 1/2	7 1/2	15	20	NONE 30 60	26	2	2	V3WB26K.. V4WB26K.. V4WB26K..		V3WC26K.. V4WC26K.. V4WC26K..	
	2	5	7 1/2	10	20	25	NONE 30 60	33	2	2	V3WB33K.. V4WB33K.. V4WB33K..		V3WC33K.. V4WC33K.. V4WC33K..	
45	2	5	10	10	25	30	NONE 30 60	34	2	2	V3WB34K.. V4WB34K.. V4WB34K..	V3	V3WC34K.. V4WC34K.. V4WC34K..	H3
55	3	7 1/2	10	15	30	40	NONE 30 60	35	2	2	V3WB35K.. V4WB35K.. V4WB35K..	V3	V3WC35K.. V4WC35K.. V4WC35K..	H3
	3	10	15	15	40	50	NONE 30 60 100	36	2	2	V3WB36K.. V4WB36K.. V4WB36K.. V4WB36K..		V3WC36K.. V4WC36K.. V4WC36K.. V4WC36K..	
90	5	15	20	25	50	60	NONE 30 60 100	44	2	2	V3WB44K.. V4WB44K.. V4WB44K.. V4WB44K..	V4	V3WC44K.. V4WC44K.. V4WC44K.. V4WC44K..	H5
105	7 1/2	15	25	30	60	75	NONE 60 100 200	45	2	2	V3WB45K.. V4WB45K.. V4WB45K.. V4WB45K..	V4	V3WC45K.. V4WC45K.. V4WC45K.. V4WC45K..	H5
	10	-	30	30	75	100	NONE 200	46	2	2	V3WB46K.. V4WB46K..		V3WC46K.. V4WC46K..	

15  
LOW VOLTAGE  
MOTOR STARTERS

# Two Speed Starters

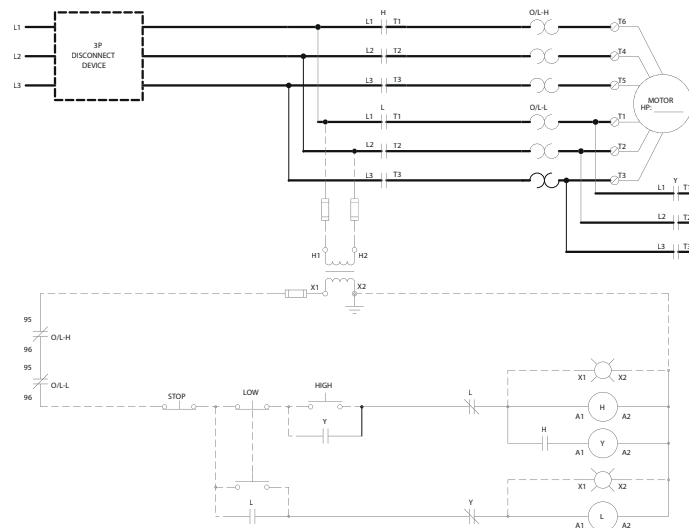
## Non-Combination

Selection

Standard Features	Ordering Information Required	Coil Voltage Codes		
		ACV 60 Hz	ACV 50 Hz	Coil Suffix
<ul style="list-style-type: none"> <li>Mechanical and electrical interlock</li> <li>2 NO + 2 NC auxiliary contacts per contactor. For the electrical interlock, a N.C. contact is provided separately.</li> <li>Class 10 bimetal overload relays including:                             <ul style="list-style-type: none"> <li>Manual or Automatic reset</li> <li>Phase Loss Protection</li> <li>Separate Trip and Alarm contact</li> </ul> </li> <li>All enclosures are designed to accept a standard sized control transformer</li> <li>All enclosures have provisions for up to 4 pilot devices</li> </ul>	<ul style="list-style-type: none"> <li>Select basic type nr. from table below</li> <li>Add suffix for both overload relay setting range from page 15-23</li> <li>Add suffix for factory modification from page 15-24 to 15-28</li> </ul>	24	20	C
		120	110	K
		208	-	M
		240	220	P
		460	380	V
		600	-	T
other voltages and frequencies are available upon request				

The type numbers in the selection table below specify 120V 60 Hz coils. If a different coil voltage is required, change the "K" (7 digit) as per Coil Suffix Table above.

Non-Combination											
Enclosed Amps	3 phase				Contactor reference number	Aux, Contacts supplied as standard per contactor		Enclosure Sheet Metal			
	200V	230V	460V	575V		NO	NC	CSA / EEMAC Type 1 General Purpose Enclosure		CSA Type 5 / EEMAC Type 12 Industrial Use	
								Catalogue Number	Encl. Fig.	Catalogue Number	Encl. Fig.
20	1 1/2	2	3	5	15	2	2	V1NB15K..	V2	V1NC15K..	H2
	2	3	5	7 1/2	16	2	2	V1NB16K..		V1NC16K..	
	3	3	7 1/2	10	17	2	2	V1NB17K..		V1NC17K..	
35	5	5	10	15	25	2	2	V1NB25K..	V2	V1NC25K..	H2
	7 1/2	7 1/2	15	20	26	2	2	V1NB26K..	V2	V1NC26K..	H2
	7 1/2	10	20	25	33	2	2	V1NB33K..	V3	V1NC33K..	H2
45	10	10	25	30	34	2	2	V1NB34K..	V3	V1NC34K..	H2
55	10	15	30	40	35	2	2	V1NB35K..	V3	V1NC35K..	H2
	15	15	40	50	36	2	2	V1NB36K..		V1NC36K..	
90	20	25	50	60	44	2	2	V1NB44K..	V4	V1NC44K..	H3
105	25	30	60	75	45	2	2	V1NB45K..	V4	V1NC45K..	H3
	30	30	75	100	46	2	2	V1NB46K..		V1NC46K..	



2S1W Typical Wiring Diagram

# Two Speed Starters

## Circuit Breaker Combination

Selection

Standard Features	Ordering Information Required	Coil Voltage Codes		
		ACV 60 Hz	ACV 50 Hz	Coil Suffix
<ul style="list-style-type: none"> <li>Mechanical and electrical interlock</li> <li>2 NO + 2 NC auxiliary contacts per contactor. For the electrical interlock, a N.C. contact is provided separately.</li> <li>Class 10 bimetallic overload relays including:                             <ul style="list-style-type: none"> <li>Manual or Automatic reset</li> <li>Phase Loss Protection</li> <li>Separate Trip and Alarm contact</li> </ul> </li> <li>All enclosures are designed to accept a standard sized control transformer</li> <li>All enclosures have provisions for up to 4 pilot devices</li> </ul>	<ul style="list-style-type: none"> <li>Select basic type nr. from table below</li> <li>Add suffix for both overload relay setting range from page 15-23</li> <li>Add suffix for factory modification from page 15-24 to 15-28</li> </ul>	24	20	C
		120	110	K
		208	-	M
		240	220	P
		460	380	V
		600	-	T
		other voltages and frequencies are available upon request		

The type numbers in the selection table below specify 120V 60 Hz coils. If a different coil voltage is required, change the "K" (7 digit) as per Coil Suffix Table above.

Circuit Breaker Combination <sup>Ⓞ</sup>											
Enclosed Amps	3 phase				Contactor reference number	Aux, Contacts supplied as standard per contactor		Enclosure Sheet Metal			
	200V	230V	460V	575V		NO	NC	CSA / EEMAC Type 1 General Purpose Enclosure		CSA Type 5 / EEMAC Type 12 Industrial Use	
								Catalogue Number	Encl. Fig.	Catalogue Number	Encl. Fig.
20	1 <sup>1/2</sup>	2	3	5	15	2	2	V2NB15K..	V3	V2NC15K..	H3
	2	3	5	7 <sup>1/2</sup>	16	2	2	V2NB16K..		V2NC16K..	
	3	3	7 <sup>1/2</sup>	10	17	2	2	V2NB17K..		V2NC17K..	
35	5	5	10	15	25	2	2	V2NB25K..	V3	V2NC25K..	H3
	7 <sup>1/2</sup>	7 <sup>1/2</sup>	15	20	26	2	2	V2NB26K..		V2NC26K..	
	7 <sup>1/2</sup>	10	20	25	33	2	2	V2NB33K..		V2NC33K..	
45	10	10	25	30	34	2	2	V2NB34K..	V3	V2NC34K..	H3
55	10	15	30	40	35	2	2	V2NB35K..	V3	V2NC35K..	H3
	15	15	40	50	36	2	2	V2NB36K..		V2NC36K..	
90	20	25	50	60	44	2	2	V2NB44K..	V4	V2NC44K..	H5
105	25	30	60	75	45	2	2	V2NB45K..	V4	V2NC45K..	H5
	30	30	75	100	46	2	2	V2NB46K..		V2NC46K..	

15  
LOW VOLTAGE  
MOTOR STARTERS

<sup>Ⓞ</sup> Factory will automatically select the circuit breaker based on standard or given motor full-load current and the following:  
 - Continuous-current rating of a minimum 115% of motor full-load current.  
 - Trip-setting position is 11 times motor full load current.

# Two Speed Starters

## Fusible Switch Combination and Non-Fusible Starters

Selection

Standard Features	Ordering Information Required	Coil Voltage Codes		
		ACV 60 Hz	ACV 50 Hz	Coil Suffix
<ul style="list-style-type: none"> <li>Mechanical and electrical interlock</li> <li>2 NO + 2 NC auxiliary contacts per contactor. For the electrical interlock, a N.C. contact is provided separately.</li> <li>Class 10 bimetallic overload relays including:                             <ul style="list-style-type: none"> <li>Manual or Automatic reset</li> <li>Phase Loss Protection</li> <li>Separate Trip and Alarm contact</li> </ul> </li> <li>All enclosures are designed to accept a standard sized control transformer</li> <li>All enclosures have provisions for up to 4 pilot devices</li> </ul>	<ul style="list-style-type: none"> <li>Select basic type nr. from table below</li> <li>Add suffix for both overload relay setting range from page 15-23</li> <li>Add suffix for factory modification from page 15-24 to 15-28</li> </ul>	24	20	<b>C</b>
		120	110	<b>K</b>
		208	-	<b>M</b>
		240	220	<b>P</b>
		460	380	<b>V</b>
		600	-	<b>T</b>
other voltages and frequencies are available upon request				

The type numbers in the selection table below specify 120V 60 Hz coils. If a different coil voltage is required, change the "K" (7 digit) as per Coil Suffix Table above.

Fusible Switch Combinations and Non-Fusible Starters												
Enclosed Amps	3 phase				FUSE CLIPS Type IIC Amps	Contactor reference number	Aux, Contacts supplied as standard per contactor		Enclosure Sheet Metal			
	200V	230V	460V	575V			NO	NC	CSA / EEMAC Type 1 General Purpose Enclosure		CSA Type 5 / EEMAC Type 12 Industrial Use	
									Catalogue Number	Encl. Fig.	Catalogue Number	Encl. Fig.
20	1 1/2	2	3	5	NONE 30	15	2	2	V3NB15K.. V4NB15K..	V3	V3NC15K.. V4NC15K..	H3
	2	3	5	7 1/2	NONE 30	16	2	2	V3NB16K.. V4NB16K..	V3	V3NC16K.. V4NC16K..	
	3	3	7 1/2	10	NONE 30	17	2	2	V3NB17K.. V4NB17K..	V3	V3NC17K.. V4NC17K..	
35	5	5	10	15	NONE 30 60	25	2	2	V3NB25K.. V4NB25K.. V4NB25K..	V3	V3NC25K.. V4NC25K.. V4NC25K..	H3
	7 1/2	7 1/2	15	20	NONE 30 60	26	2	2	V3NB26K.. V4NB26K.. V4NB26K..		V3NC26K.. V4NC26K.. V4NC26K..	
	7 1/2	10	20	25	NONE 30 60	33	2	2	V3NB33K.. V4NB33K.. V4NB33K..		V3NC33K.. V4NC33K.. V4NC33K..	
45	10	10	25	30	NONE 30 60	34	2	2	V3NB34K.. V4NB34K.. V4NB34K..	V3	V3NC34K.. V4NC34K.. V4NC34K..	H3
55	10	15	30	40	NONE 30 60	35	2	2	V3NB35K.. V4NB35K.. V4NB35K..	V3	V3NC35K.. V4NC35K.. V4NC35K..	H3
	15	15	40	50	NONE 30 60 100	36	2	2	V3NB36K.. V4NB36K.. V4NB36K.. V4NB36K..		V3NC36K.. V4NC36K.. V4NC36K.. V4NC36K..	
90	20	25	50	60	NONE 30 60 100	44	2	2	V3NB44K.. V4NB44K.. V4NB44K.. V4NB44K..	V4	V3NC44K.. V4NC44K.. V4NC44K.. V4NC44K..	H5
105	25	30	60	75	NONE 60 100 200	45	2	2	V3NB45K.. V4NB45K.. V4NB45K.. V4NB45K..	V4	V3NC45K.. V4NC45K.. V4NC45K.. V4NC45K..	H5
	30	30	75	100	NONE 200	46	2	2	V3NB46K.. V4NB46K..		V3NC46K.. V4NC46K..	



# Overload Relay Chart

Selection

Append to Catalogue Number V4AB15K __		The overload relay calibration is based on a motor service factor (S.F) of 1.15. If the service factor is 1.0, multiply motor F.L.C. by 0.9 before making selection.						
Adjustment Range Amps	Contactor Reference in Type No. (5. and 6. digit)							
	15 / 16 / 17		25 / 26		33 / 34 / 35 / 36		44 / 45 / 46	
	Overload Type	Overload Suffix	Overload Type	Overload Suffix	Overload Type	Overload Suffix	Overload Type	Overload Suffix
0.11 - 0.16 0.14 - 0.2 0.18 - 0.25	3RU2116	0A 0B 0C						
0.22 - 0.32 0.28 - 0.4 0.35 - 0.5		0D 0E 0F						
0.45 - 0.63 0.55 - 0.8 0.7 - 1.0		0G 0H 0J						
0.9 - 1.25 1.1 - 1.6 1.4 - 2		0K 1A 1B						
1.8 - 2.5 2.2 - 3.2 2.8 - 4		1C 1D 1E	3RU2126	1C 1D 1E				
3.5 - 5 4.5 - 6.3 5.5 - 8		1F 1G 1H		1F 1G 1H	3RU1136	1H		
7 - 10 9 - 12 9 - 12.5		1J 1K		1J - 1K		1J - 1K		
11 - 16 14 - 20 17 - 22				4A 4B 4C		4A 4B -		
18 - 25 20 - 25 22 - 32				- 4D		4D - 4E	3RU1146	4D - 4E
28 - 40 36 - 45 36 - 50						4F 4G -		4F - 4H
40 - 50 45 - 63 57 - 75						4H		- 4J 4K
70 - 90 80 - 100								4L 4M

15  
LOW VOLTAGE  
MOTOR STARTERS

Other Options	Suffix
Provision only for field amounting of overload relay	00
Substitute bimetal overload relay with solid state type 3RB2, Class 20	RB

# Factory Modifications

## Power Line Voltage and Control Circuit Options

Selection

Power Line Voltage Selection		Append to Catalogue Number i.e.: V4AB15K1E_ _						
		120V	200V	230V	460V	575V	600V Max.	Other
Single Phase, 60HZ (L1, N)	<b>Suffix</b>	<b>1</b>	-	-	-	-	-	-
Single Phase, 60Hz (L1, L2)		-	-	7	-	-	-	-
Three Phases, 60Hz (L1, L2, L3)		-	<b>2</b>	<b>3</b>	<b>4</b>	<b>5</b>	-	-
Three Phases, 60Hz (L1, L2, L3, N), 4-wire (Neutral)		-	<b>8</b>	-	-	-	-	-
Three Phases, 600V Max, 60Hz(L1, L2, L3)		-	-	-	-	-	<b>6</b>	-
Specify voltage, frequency, No. of phase & neutral if required		-	-	-	-	-	-	<b>3</b>

**Note:** Power line voltage is an important data to be known in order to provide a starter properly connected for single phase or three phase load.

### Control Circuit Selection

Power Line Voltage Selection	Append to Catalogue Number i.e.: V4AB15K1E_ _	
	Contactors Reference No.	Suffix
Separate Control Circuit, Unfused		<b>0</b>
Separate Control Circuit, Fused, 1 fuse max. 250V		<b>N</b>
1 Control Fuse, max. 250V		<b>P</b>
2 Control Fuses, max. 600V		<b>L</b>
Control Circuit Transformer: Standard Standard Standard Standard for Starter Type Prim./Sec. Voltage		
FVNR } FVR } 2S2W } 2SW }	208/120 230/120 460/120 575/120	<b>R</b> <b>R</b> <b>R</b> <b>R</b>
Control Circuit Transformer: Extra Capacity May require larger enclosure Consult Siemens	additional 50VA 100VA	<b>U</b> <b>W</b>
Special transformer voltages Specify		<b>9</b>

# Factory Modifications

## Circuit Breaker Combination, Constant or Variable Torque

Selection

### Additional Auxiliary Contacts

Append to Catalogue Number ie: V4AB15K1E5R_		
The max. allowable number of auxiliary contacts per contactor is 4 except for contactor 15/16/17 which can accept 5	Suffix	
Std. auxiliary contacts as per starter selection table	0	Option Available for contactors type:  <b>15 / 16 / 17</b>  Other contactors will come equipped as standard with 2NO+2NC
Addition of:  2 N.O.  2 N.C. 4 N.O. 3 N.O. + 1 N.C. 2 N.O. + 2 N.C.	L  F K E J M	

### Pilot Devices – Operators

Legend Plates are supplied as standard with Operators

Append to Catalogue Number i.e.: V4AB30K1E5R0_ _					
Operator Description	First Suffix <sup>Ⓞ</sup>	EEMAC Enclosure Type	English Legend	Second Suffix	French Legend
None	0	1/12 4	–	–	–

### Pushbutton

1 pushbutton momentary	extended head red 1 N.C.	<b>1 (2)</b>	1/12 4	EMERGENCY STOP STOP	<b>A</b> <b>B</b>	ARRET D'URGENCE ARRET
twist lock maintained	mushroom red 1 N.C.	<b>3 (4)</b>	1/12 4	EMERGENCY STOP	<b>A</b>	ARRET D'URGENCE
2 pushbuttons momentary	1 - red 1 N.C. 1 - green 1 N.O.	<b>5 (6)</b>	1/12 4	START STOP ON OFF	<b>C</b> <b>D</b>	MARCHE ARRET EN HORS
3 pushbuttons momentary	1 - red 1 N.C. E 2 - black each 1 N.O.	<b>7 (8)</b>	1/12 4	FORWARD REVERSE STOP HIGH LOW STOP UP DOWN STOP FAST SLOW STOP OPEN CLOSE STOP	<b>E</b> <b>F</b> <b>G</b> <b>H</b> <b>J</b>	AVANT ARRIERE ARRET HAUTE BASSE ARRET EN HAUT EN BAS ARRET VITE LENTEMENT ARRET OUVRIR FERMER ARRET

15

LOW VOLTAGE  
MOTOR STARTERS

ⓄWhen ordering French legend plates use the “first suffix” in brackets.

# Factory Modifications

## Power Line Voltage and Control Circuit Options

Selection

### Pilot Devices – Operators (continued)

Legend Plates are supplied as standard with Operators

Append to Catalogue Number i.e.: V4AB30K1E5R0_ _					
Operator Description	First Suffix <sup>①</sup>	EEMAC Enclosure Type	English Legend	Second Suffix	French Legend

#### 2-position selector switch

2 position selector switch maintained	1 N.O.	A (B)	1/12 4	STOP START OFF ON HAND AUTO FOR REV HIGH LOW UP DOWN FAST SLOW OPEN CLOSE LOCAL REMOTE	K L M N P Q R S T	ARRET MARCHE HORS EN MAN AUTO AVANT ARRIERE HAUTE BASSE HAUT BAS VITE LENT OUVRIR FERMER LOCAL A DIST.
2 position selector switch spring return	1 N.O.	C (D)	1/12 4			
2 position selector switch key operated maintained	1 N.O.	E (F)	1/12 4			

#### 3-position selector switch

3 position selector switch maintained	2 x 1 N.O.	G (H)	1/12 4	HAND OFF AUTO FOR OFF REV HIGH OFF LOW UP OFF DOWN FAST OFF SLOW OPEN OFF CLOSE LOCAL OFF REMOTE TEST OFF AUTO	1 2 3 4 5 6 7 8	MAN ARRET AUTO AVANT ARRET ARRIERE HAUTE ARRET BASSE HAUT ARRET BAS VITE ARRET LENT OUVRIR ARRET FERMER LOCAL HORS A DIST. ESSAI ARRET AUTO
3 position selector switch 1 spring return from both sides	2 x 1 N.O.	J (K)	1/12 4			
3 position selector switch key operated maintained	2 x 1 N.O.	L (M)	1/12 4			
3 position selector switch key operated spring return from both sides	2 x 1 N.O.	N (P)	1/12 4			

#### 2 pushbuttons & 3-position selector switch

3 position selector switch maintained c/w START STOP pushbuttons momentary green	2 x 1 N.O. 1 N.C. 1 N.O.	T (U)	1/12 4	HAND OFF AUTO for selector switch and START STOP for pushbutton	X	MAN ARRET AUTO for selector switch and MARCHE ARRET for pushbuttons
--	--------------------------------	-------	-----------	---	---	---

### Pilot Devices – Indicators

Append to Catalogue Number i.e.: V4AB15K1E5R05C_ _ _		
Pilot Lights Description	First Suffix <sup>①</sup>	Enclosure Type
No Pilot Lights	0	1/4/12
Full Voltage c/w legend plate(s) 120V incandescent	1 (2)	1/12 4
Full Voltage 24V incandescent	3 (4)	1/12 4
LED c/w legend plate(s) 120V extended life	5 (6)	1/12 4
LED c/w legend plate(s) 24V extended life	7 (8)	1/12 4
Full Voltage without legend plate(s) 120V incandescent	A	1/12 4
Full Voltage without legend plate(s) 24V incandescent	B	1/12 4
LED without legend plate(s) 120V extended life	C	1/12 4
LED without legend plate(s) 24V extended life	D	1/12 4

① When ordering French legend plates use the "first suffix" in brackets.

# Factory Modifications

## Pilot Device Options

Selection

### Pilot Lights

Legend Plates and Lens Colours

Table A - One Pilot Light									
LEGEND PLATES			LEGEND COLOURS					Other Specify	
English	French		Red	Yellow	Green	Blue			
RUN ON OFF O/L TRIPPED READY Other Legend Plates Specify	MARCHE EN CIRCUIT ARRÊT SURCHARGE PRÊT	Suffix	1C	1D	1E	-		19	
			2C	2D	2E	-		29	
			3C	3D	3E	-		39	
			4C	4D	-	-		49	
			5C	5D	5E	5F		59	
			9C	9D	9E	9F		99	
Table B - Two Pilot Lights									
LEGEND PLATES			LEGEND COLOURS					Other Specify	
English	French		Red Red	Green Green	Red Yellow	Red Green	Green Red		Green Yellow
RUN ■ OFF ON ■ OFF RUN ■ O/L TRIPPED ON ■ O/L TRIPPED FORWARD ■ REVERSE FAST ■ SLOW UP ■ DOWN HIGH ■ LOW Other Legend Plates Specify	MARCHE ■ ARRÊT EN CIRCUIT ■ ARRÊT MARCHE ■ SURCHARGE EN CIRCUIT ■ SURCHARGE AVANT ■ ARRIERE VITE ■ LENTEMENT EN HAUT ■ EN BAS HAUT ■ BAS	Suffix	-	-	-	64	65	-	69
			-	-	-	74	75	-	79
			-	-	83	-	85	86	89
			-	-	A3	-	A5	A6	A9
			B1	B2	-	B4	B5	-	B9
			C1	C2	-	C4	C5	-	C9
			D1	D2	-	D4	D5	-	D9
			E1	E2	-	E4	E5	-	E9
			91	92	93	94	95	96	99
Table B - Three Pilot Lights									
LEGEND PLATES			LEGEND COLOURS					Other Specify	
English	French		Red Red Green	Green Green Red	Red Red Yellow	Green Green Yellow	Red Green Yellow		Green Red Yellow
RUN ■ OFF ■ O/L TRIPPED ON ■ OFF ■ O/L TRIPPED FORWARD ■ REVERSE ■ OFF FAST ■ SLOW ■ OFF UP ■ DOWN ■ OFF HIGH ■ LOW ■ OFF FORWARD ■ REVERSE ■ O/L TRIPPED FAST ■ SLOW ■ O/L TRIPPED UP ■ DOWN ■ O/L TRIPPED HIGH ■ LOW ■ O/L TRIPPED Other Legend Plates Specify	MARCHE ■ ARRÊT ■ SURCHARGE EN CIRCUIT ■ ARRÊT ■ SURCHARGE AVANT ■ ARRIERE ■ ARRÊT VITE ■ LENTEMENT ■ ARRÊT EN HAUT ■ EN BAS ■ ARRÊT HAUT ■ BAS ■ ARRÊT AVANT ■ ARRIERE ■ SURCHARGE VITE ■ LENTEMENT ■ SURCHARGE EN HAUT ■ EN BAS ■ SURCHARGE HAUT ■ BAS ■ SURCHARGE	Suffix	-	-	-	-	FN	FP	F9
			-	-	-	-	GN	GP	G9
			HK	HJ	-	-	-	-	H9
			JK	JJ	-	-	-	-	J9
			KK	KJ	-	-	-	-	K9
			LK	LJ	-	-	-	-	L9
			-	MJ	ML	MM	MN	MP	M9
			-	NJ	NL	NM	NN	NP	N9
			-	PJ	PL	PM	PN	PP	P9
			-	RJ	RL	RM	RN	RP	R9
			9K	9J	9L	9M	9N	9P	99

15

LOW VOLTAGE  
MOTOR STARTERS

# Factory Modifications

## Power Line Voltage and Control Circuit Options

Selection

### Miscellaneous Options:

Specify by suffix and description as required.

Append to Catalogue No i.e.: V4AB15K1E5R05C165-Z \_ \_ \_ \_ \_

Description	Suffix
<b>Disconnect Devices</b> Auxiliary Contacts, not wired Fusible or Non-Fusible Disconnect Switch	1 N.O. & 1 N.C. 2 N.O. & 2 N.C.
Circuit Breaker	1 SPDT 2 SPDT 1 SPDT & 1 Alarm SPDT
<b>Metering</b> <sup>①</sup> Installed & wired, EEMAC Type 1 & 12 Ammeter, 3-1/2" Panel Type c/w one 5A sec. CT One extra CT Two extra CT's  Voltmeter, 3-1/2" Panel Type c/w One 0-750V Pt fused 3-Phase Selector Switch Elapsed Time Meter ME Phase Failure and Phase Sequence Monitoring Relay	<b>MA</b> <b>M0</b> <b>MT</b>  <b>MV</b> <b>MS</b> <b>ME</b>  <b>MD</b>
<b>Control Relays and Timers</b> <sup>①</sup> 4 Pole Relay, A600 2 N.O. & 2 N.C.  3 N.O. & 1 N.C.  4 N.O.	not wired wired not wired wired not wired wired
<b>Time Delay Relays</b> <sup>①</sup> 1-SPDT, B300, max 240V AC coil ON-Delay adj. up to 100s  OFF - Delay adj. up to 100s	not wired wired not wired wired
<b>Thermistor Tripping Unit</b> <sup>①</sup> max. 240V AC coil, installed and wired	Auto Reset Manual Reset
<b>Surge Suppressors</b> for Contactors and Control Relays	
<b>Wire Markers</b>	

Description	Suffix
<b>Cover Gasket</b> available for hinged cover enclosures only (V2, V3, V4)	-
<b>Drip Shield</b> available for hinged cover enclosures only (V2, V3, V4)	<b>DS</b>
<b>Space Heater</b> available for hinged cover enclosures only (V2, V3, V4)	<b>SH</b>
<b>Identification Name Plate</b> Lamacoid	1-25 characters 25-50 characters
<b>EEMAC Type 4 Enclosure</b> change 4th digit in Starter Type No. from "B" to "D"	-
<b>EEMAC Type 4X Enclosure</b> change 4th digit in Starter Type No. from "B" to "F" and add to EEMAC Type 1 price Stainless Steel (specify) Fiberglass (specify)	-

### Fuse Clips:

All Fusible Disconnect Combination Starters are supplied with Form II C fuse clips as standard.

Fuse Clip Size	Form IJ
	Suffix
30A 60A 100A 200A	<b>PJ</b>

### Terminal Blocks

Description	Class	Suffix
Wired 3 point terminal Wired 6 point terminal Wired 9 point terminal	<b>All</b>	T3 T6 T9
Un-wired 3 point terminal Un-wired 6 point terminal Un-wired 9 point terminal		TC TF TI

<sup>①</sup> Option may require larger enclosure.  
Consult Siemens.

# Factory Modifications

## Pilot Device Options

Selection

### Pilot Devices - Suitable for Installation in EEMAC Type 1/12/4 Enclosures

Pushbuttons	LEGEND PLATES		Catalogue Number	
	English	French		
2 - pushbuttons momentary 1 - red, ext. 1 - green, flush	1 NC 1 NO	STOP START	ARRÊT MARCHÉ	VFMK50
3 - pushbuttons momentary 1 - red, ext. 2 - black, flush	1 NC	STOP FORWARD REVERSE	ARRÊT AVANT ARRIERE	VFMKAO
	2 X 1 NO	STOP HIGH LOW	ARRÊT HAUT BAS.	VFMK70
<b>Selector Switches</b>				
2 - position maintained	black lever 1 NO	ON OFF	EN CIRCUIT ARRÊT	VFMKCO
3 - position maintained	black lever 2 x 1 NO	HAND OFF AUTO	MAN ARRÊT AUTO	VFMKGO
		FORWARD OFF REVERSE	AVANT ARRÊT ARRIERE	VFMKLO
		FAST OFF SLOW	VITE ARRÊT LENTEMENT	VFMKNO
<b>Pilot Lights</b>				
Full Voltage 120 V incandescent	c/w 2 lenses red & green	None		VFMK01

### Control Circuit Transformers c/w 2 - Primary and 1 Secondary Fuse

Rating at 60 Hz VA	Catalogue Number			
	Primary/Secondary Voltage			
	208/120	240/120	480/120	600/120
50	VFMKT2050	VFMKT4050	VFMKT4050	VFMKT6050
100	VFMKT2100	VFMKT4100	VFMKT4100	VFMKT6100
150	VFMKT2150	VFMKT4150	VFMKT4150	VFMKT6150
200	VFMKT2200	VFMKT4200	VFMKT4200	VFMKT6200
250	VFMKT2250	VFMKT4250	VFMKT4250	VFMKT6250
300	VFMKT2300	VFMKT4300	VFMKT4300	VFMKT6300
350	VFMKT2350	VFMKT4350	VFMKT4350	VFMKT6350

15

LOW VOLTAGE  
MOTOR STARTERS



# SIRIUS Pre-Assembled Starter Packages

## Contactors and Contactor Assemblies (Gold, Silver and Bronze)

Selection

### Siemens SIRIUS

Pre-assembled starter packages are the simple way to order starters:

- 50HP, 600V max, combination and non-combination
- Standard 1NO contact up to 10HP, 2NO+2NC contacts from 15-50 HP
- Ambient 60°C on contactors
- Fast and simple 3-prong overload/contactor connection: no coil extension required
- Standard primary and secondary fusing on control transformers
- Standard Metal 22mm SIRIUS Control Devices

### SIRIUS GOLD, SILVER AND BRONZE

Starter Packages offer these standard features:

#### GOLD

- 50 VA 600/120V control transformer
- 3 pos. selector switch H.O.A.
- Pilot light 120V red

#### SILVER

- 50 VA 600/120V control transformer
- Start/Stop pushbuttons
- Pilot light 120V red

#### BRONZE

- No control transformer
- No pilot devices



Siemens modular line of quality Motor Control Products meets and exceeds international standards and are built to serve global markets. Here's why choosing a package is the smarter way to select a starter:

#### Saves Time

No more lengthy navigating through product catalogues! **GOLD, SILVER** and **BRONZE** starters offer an easy 2 step approach to selecting your starter.

1. Select the starter based on Horsepower (HP) and Line Voltage.
2. Select the appropriate overload relay.

Then it's ready to install. All this convenience is now available off your distributor's shelves.

#### Saves Money

This unique solution for the industry's most popular full voltage non-reversing starters is competitively priced compared to other custom-engineered starters.

#### Saves Hassle

Ease of selection. Off the shelf availability. Competitive pricing. It's easy to see why **GOLD, SILVER** and **BRONZE** packages are the ideal solution. For serious performance and serious convenience, take a SIRIUS approach to starters.

# SIRIUS Pre-Assembled Starter Packages

Contactors and Contactor Assemblies (Gold, Silver and Bronze)

*Selection*

## Non-Combination Starter Package Selection EEMAC Type 1 Enclosed

Catalogue Number	Pilot Devices	Control Transformer w/ Primary and Secondary fuses	CSA Maximum HP Rating				Contactor Reference Number	Enclosure Reference Number
			3 phase					
			208V	240V	480V	600V		
GOLD3R-5-600 GOLD3R-3-480 GOLD3R-2-240 GOLD3R-1.5-208	3 Position Selector Switch & Pilot Light	Included 120V sec.	1 1/2	2	3	5	15	V0
GOLD3R-7.5-600 GOLD3R-5-480 GOLD3R-3-240 GOLD3R-2-208	3 Position Selector Switch & Pilot Light	Included 120V sec.	2	3	5	7 1/2	16	V0
GOLD3R-10-600 GOLD3R-7.5-480 GOLD3R-3-240 GOLD3R-3-208	3 Position Selector Switch & Pilot Light	Included 120V sec.	3	3	7 1/2	10	17	V0
GOLD3R-15-600 GOLD3R-10-480 GOLD3R-5-240 GOLD3R-5-208	3 Position Selector Switch & Pilot Light	Included 120V sec.	5	5	10	15	25	V1
V1AB26K005R0G111C V1AB33K005R0G111C V1AB34K005R0G111C V1AB35K005R0G111C V1AB36K005R0G111C	3 Position Selector Switch & Pilot Light	Included 120V sec.	-	-	-	20 25 30 40 50	26 33 34 35 36	V1 V1 V1 V1 V1
SILVER3R-5-600 SILVER3R-3-480 SILVER3R-2-240 SILVER3R-1.5-208	Start/Stop Pushbuttons & Pilot Light	Included 120V sec.	1 1/2	2	3	5	15	V0
SILVER3R-7.5-600 SILVER3R-5-480 SILVER3R-3-240 SILVER3R-2-208	Start/Stop Pushbuttons & Pilot Light	Included 120V sec.	2	3	5	7 1/2	16	V0
SILVER3R-10-600 SILVER3R-7.5-480 SILVER3R-3-240 SILVER3R-3-208	Start/Stop Pushbuttons & Pilot Light	Included 120V sec.	3	3	7 1/2	10	17	V0
SILVER3R-15-600 SILVER3R-10-480 SILVER3R-5-240 SILVER3R-5-208	Start/Stop Pushbuttons & Pilot Light	Included 120V sec.	5	5	10	15	25	V1
V1AB26K005R05D11C V1AB33K005R05D11C V1AB34K005R05D11C V1AB35K005R05D11C V1AB36K005R05D11C	Start/Stop Pushbuttons & Pilot Light	Included 120V sec.	-	-	-	20 25 30 40 50	26 33 34 35 36	V1 V1 V1 V1 V1
BRONZE3R-5-600 BRONZE3R-7.5-600 BRONZE3R-10-600 BRONZE3R-15-600	None	None	1 1/2 2 3 5	2 3 3 5	3 5 7 1/2 10	5 7 1/2 10 15	15 16 17 25	V0 V0 V0 V1
V1AB25K00600 V1AB26K00600 V1AB33K00600 V1AB34K00600 V1AB35K00600 V1AB36K00600	None	None	5 7 1/2 7 1/2 10 10 15	5 7 1/2 10 10 15 15	10 15 20 25 30 40	15 20 25 30 40 50	25 26 33 34 35 36	V1 V1 V1 V1 V1 V1

**15**

LOW VOLTAGE  
MOTOR STARTERS

# SIRIUS Pre-Assembled Starter Packages

Contactors and Contactor Assemblies (Gold, Silver and Bronze)

Selection

## Fusible Combination Starter Package Selection EEMAC Type 1 Enclosed

Catalogue Number	Pilot Devices	Control Transformer w/ Primary and Secondary fuses	CSA Maximum HP Rating				Contactor Reference Number	Enclosure Reference Number
			3 phase					
			208V	240V	480V	600V		
V4AB17K005R0G111CP V4AB26K005R0G111CP V4AB34K005R0G111CP V4AB35K005R0G111CP V4AB36K005R0G111CP	3 Position Selector Switch & Pilot Light	Included 120V sec.	-	-	-	10 20 30 40 50	17 26 34 35 36	V2 V2 V2 V2 V2
V4AB17K005R05D11CP V4AB26K005R05D11CP V4AB34K005R05D11CP V4AB35K005R05D11CP V4AB36K005R05D11CP	2 Push Buttons & Pilot Light	Included 120V sec.	-	-	-	10 20 30 40 50	17 26 34 35 36	V2 V2 V2 V2 V2
V4AB15K006000 V4AB15K006000PD V4AB16K006000 V4AB16K006000PD V4AB17K006000 V4AB17K006000PD V4AB25K006000 V4AB25K006000PD V4AB26K006000 V4AB26K006000PD	None	None	1 1/2 1 1/2 2 2 3 7 1/2 5 5 7 1/2 7 1/2	2 2 3 3 3 7 1/2 5 5 7 1/2 7 1/2	3 3 5 5 7 1/2 7 1/2 10 10 15 15	5 5 7 1/2 10 10 15 15 20 20	15 15 16 16 17 17 25 25 26 26	V0 V2 V2 V2 V2 V2 V2 V2 V2 V2

## Overload Relay Selection Chart

FLA Adjustment Range Amps	Catalogue Number		
	15/16/17	25/26	33/34/35/36
0.11-0.16	3RU2116-0AB0	-	-
0.14-0.2	3RU2116-0BB0	-	-
0.18-0.25	3RU2116-0CB0	-	-
0.22-0.32	3RU2116-0DB0	-	-
0.28-0.4	3RU2116-0EB0	-	-
0.35-0.5	3RU2116-0FB0	-	-
0.45-0.63	3RU2116-0GB0	-	-
0.55-0.8	3RU2116-0HB0	-	-
0.7-1	3RU2116-0JB0	-	-
0.9-1.25	3RU2116-0KB0	-	-
1.1-1.6	3RU2116-1AB0	-	-
1.4-2	3RU2116-1BB0	-	-
1.8-2.5	3RU2116-1CB0	3RU2126-1CB0	-
2.2-3.2	3RU2116-1DB0	3RU2126-1DB0	-
2.8-4	3RU2116-1EB0	3RU2126-1EB0	-
3.5-5	3RU2116-1FB0	3RU2126-1FB0	-
4.5-6.3	3RU2116-1GB0	3RU2126-1GB0	-
5.5-8	3RU2116-1HB0	3RU2126-1HB0	3RU1136-1HB0
7-10	3RU2116-1JB0	3RU2126-1JB0	3RU1136-1JB0
9-12.5	3RU2116-1KB0	3RU2126-1KB0	3RU1136-1KB0
11-16	-	3RU2126-4AB0	3RU1136-4AB0
14-20	-	3RU2126-4BB0	3RU1136-4BB0
17-22	-	3RU2126-4CB0	-
18-25	-	-	3RU1136-4DB0
20-25	-	3RU1136-4DB0	-
22-32	-	-	3RU1136-4EB0
28-40	-	-	3RU1136-4FB0
36-45	-	-	3RU1136-4GB0
40-50	-	-	3RU1136-4HB0

# Dimensions

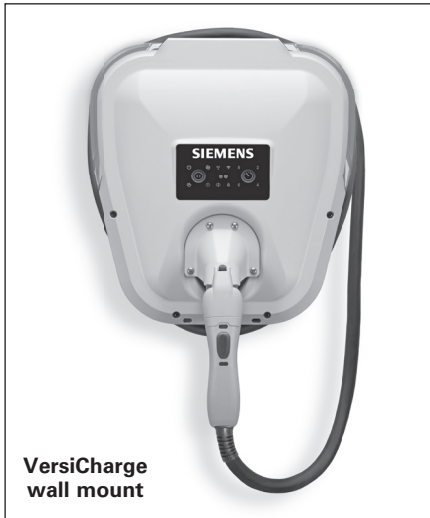
Selection

## Magnetic Starters

Figure 1		Non-Combination Starter EEMAC Type 1 (Lift-Off Cover)								
		Width	Height	Depth	Mfg.-Holes					No. of Holes
Figure 1		A	B	C	D	E	F	G	H	3
V0	MM	161.70	244.7	146	110.3	174	–	25.7	–	
	INCH	6.37	9.64	5.75	4.34	6.85	–	1.01	–	
V1	MM	241.5	320.9	178.3	187.3	268.1	–	24	–	3
	INCH	9.51	12.64	7.02	7.38	10.55	–	0.95	–	
Figure 2		Non-Combination/Combination Starter EEMAC Type 1								
		Width	Height	Depth	Mfg.-Holes					No. of Holes
V2	MM	264	610	210	140	548	127	28	57	3
	INCH	10.39	24	8.25	5.5	21.58	5	1.1	2.25	
V3	MM	410	640	209.6	280	578	–	28	60	4
	INCH	16.14	25.2	8.25	11	22.76	–	1.1	2.36	
V4	MM	510	900	279.6	380	838	–	28	60	4
	INCH	20.08	35.43	11.01	14.96	32.99	–	1.1	2.36	
Figure 3		Non-Combination Starter EEMAC Type 12								
		Width	Height	Depth	Mfg.-Holes					No. of Holes
S	MM	254	304.8	203.2	203.2	323.85	–	93.53	25.46	4
	INCH	10	12	8	8	12.75	–	0.38	1	
Figure 4		Non-Combination/Combination Starter EEMAC Type 12								
		Width	Height	Depth	Mfg.-Holes					No. of Holes
H2	MM	254	610	209.6	165	648	127	12	44.5	3
	INCH	10	24	8.25	6.5	25.51	5	0.47	1.75	
H3	MM	400	640	209.6	311	678	200	12	44.5	3
	INCH	15.75	25.2	8.25	12.24	26.69	7.87	0.47	1.75	
H5	MM	500	900	280	411	955.35	–	25	44.5	4
	INCH	19.69	35.43	11.02	16.18	37.61	–	0.98	1.75	

15  
LOW VOLTAGE  
MOTOR STARTERS

**Note:** All dimensions shown for reference purpose only.  
Not to be used for construction purposes.



VersiCharge  
wall mount



VersiCharge  
with outdoor  
mounting post

## Contents

### Electric Vehicle Supply Equipment (EVSE)

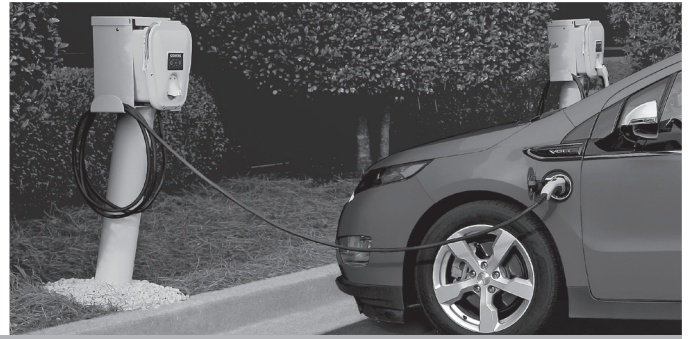
VersiCharge Features	16-2
VersiCharge EVSE and Accessories	16-3
VersiCharge Technical Features	16-4

# Electric Vehicle Charging Products

## VersiCharge Features and Benefits

Siemens VersiCharge line offers a variety of residential and semi-public electric car charger options.

Ranging from hardwired models, plug in alternatives, and a Wi-Fi enabled charger. For higher volume areas like apartments, townhomes, parking lots, applications where a wall isn't available, or pedestal mount is preferred, there is a stationary post to mount the VersiCharge onto.

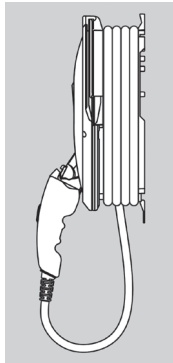


### Easy, 2 Button Controls

- Indicating Halo for easy status check
- Left Button stops and restarts charging
- Right Button sets 2, 4, 6, or 8 hour Charge Delay
- LED Indicators for each

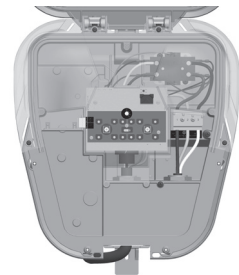
### Cord Management

- Enclosure is designed for cord to be looped when not in use
- Built in J-Plug Holster stores and protects plug from weather, debris, and damage
- All VersiCharge units come with long flexible cord for easy charging



### Load Control Compatible

- Inputs to remotely turn unit on or off
- Allows for control by home automation system or utility company



### Hinged Lid for Speed and Ease

- Hinged cover stays in place for easy maintenance
- No components in cover mean no risk of damage
- Ample spacing to work inside device
- One hand open / close
- Cover uses only 4 screws compared to up to 12 for competitors



### NEMA 4 Rated Enclosure

- Rated for direct water spray by sprinklers, hoses, or any weather
- ~50% recycled plastic content
- Glass impregnated plastic for strength and fire safety

### Adjustable Amperage

- Allows for changing charge rate to accommodate demand response signals, for customer preference, circuit capability and car charging rate capacity

### Smart Grid Capabilities

- The VersiCharge SG unit comes with the same standard hardware as the VC30GRYU but with the added benefit of Wi-Fi and a CTA2045 module to enable communication through the Siemens Cloud.
- Monitor and control charging status, charging schedule, and power level remotely through the VersiCharge SG SmartPhone App or via provided web pages
- Built in metering captures real time power usage data for easy to understand metrics
- The Siemens Billing-Enabled VersiCharge SG allows connection to 3rd party network provides using Open Charge Point Protocol (OCPP)

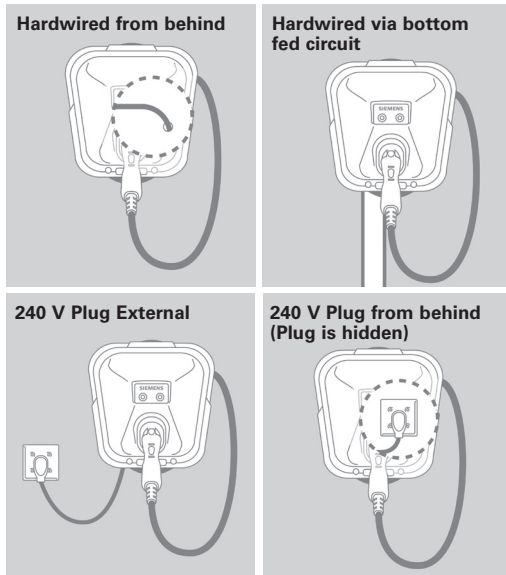




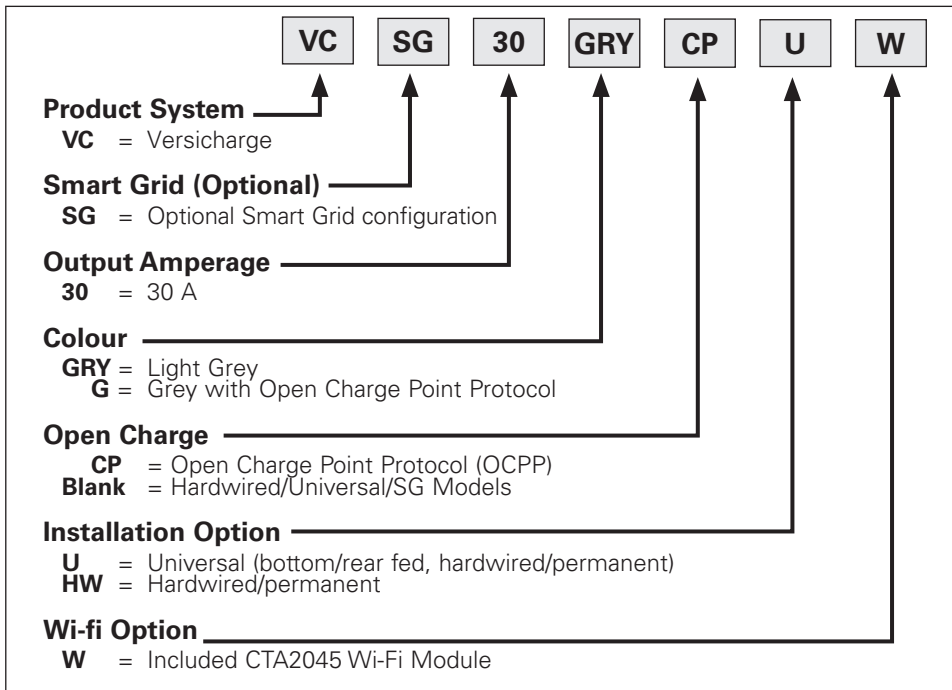
# Electric Vehicle Charging Products

## VersiCharge EVSE and Accessories

### Flexible Install Options



### Electric Vehicle Supply Equipment



### VersiCharge electric vehicle chargers

Part number	Model	Output amperage	Colour	Feeder Location
VC30GRYU	Universal VersiCharge	30A	Grey	Rear/Bottom/Hardwired
VC30GRYHW	Hardwired VersiCharge	30A	Grey	Hardwired
VCSG30GRYUW	Wi-Fi VersiCharge	30A	Grey	Rear/Bottom/Hardwired
VCSG30GCPUW	OCPP & Wi-Fi VersiCharge	30A	Grey	Rear/Bottom/Hardwired

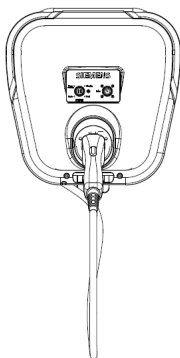
### Accessories

Part number	Description	Colour
VCMNTGBRK	Spare parts mounting bracket	Black
VCPOSTGRY	Outdoor mounting post	Grey



# Electric Vehicle Charging Products

## VersiCharge Technical Features



14.5" W x 16.0" H x 6.5" D  
(front of unit excluding connector)  
15" minimum clearance  
recommended for connector  
when inserted



2.5" x 16.9"  
Install at a minimum of 18" off  
the ground

### Electric Vehicle Chargers

Catalogue Number	Model	Output amperage	Colour	Feed Location
VC30GRYU	Universal VersiCharge	30 A	Grey	Rear/Bottom/Hardwired
VC30GRYHW	Hardwired VersiCharge	30 A	Grey	Hardwired

### Accessories

Catalogue Number	Description	Colour
VCMNTGBRK	Spare Parts Mounting Bracket	Black

### Parameters

	Attribute	Universal Model	Hardwired Model	Wi-Fi Model with included module	Wi-Fi and OCPP enable Model
		VC30XXXU	VC30XXXHW	VCSG30GRYUW	VCSG30GCPUW
Essentials	Part Number	VC30XXXU	VC30XXXHW	VCSG30GRYUW	VCSG30GCPUW
	Amperage	30 Amps			
	Input voltage	208 - 240 VAC			
	Cord Length	20 ft	14 ft	20 ft	
	Wall Weight	14.5 lbs	12.5 lbs	14.5 lbs	
	Dimensions	14.5" W x 16.0" H x 6.5" D			
	Output power	1.8 kW to 7.2 kW			
	Enclosure	NEMA 4	NEMA 1	NEMA 4	
	Plug in Installation	Yes (below or behind unit)	No	Yes (below or behind unit)	
	Permanent Installation	Yes	Yes	Yes	
Electrical	Circuit requirement	40 Amperes*			
	Input power connections	Line 1, Line 2, Earth Ground			
	Recommended branch breaker	40 Ampere double pole (Siemens: Q240 plug in type, B240 bolt on type)			
Mechanical	Connector	SAE J1772			
Safety and Operational	Standards Compliance	UL, CSA, SAE J1772, NEC® 625			
	EMC	FCC Part 15 Class B			
	Operating temperature	-30°C to +50°C			
	Storage temperature	-40°C to +60°C			
	Operating humidity	Maximum 95% non-condensing			

\*Adjustment of amperage output possible via dial in the unit, will effect the power output of charger.

## Contents

---

<b>Introduction</b>	17-2
<b>Installation</b>	17-4
<b>Parts</b>	17-6

## The flexible and versatile solution...

Every inch an outlet, Electrostrip, is a versatile, time-saving development. It offers a unique type of convenience: instantly relocatable electrical outlets.

Ends outlet planning. Since outlet receptacles can be inserted at any point along Electrostrip you can forget most estimating and planning headaches. After the installation of the strip is completed, simply snap in receptacles anywhere the customer wants them. The customer can then relocate them quickly, easily and safely anytime.





...easy  
to install...

Electrostrip, is a surface-mounted outlet system that's very easy to plan, lay out and install quickly on nearly any surface. It's especially easy for modernization jobs: no wire-fishing, no replastering, no mess to clean up.

It offers many opportunities to a contractor or electrician for profit in industrial, commercial, institutional or residential projects. Electrostrip can be installed in all conventional places... along baseboards, up and down walls, around cabinets, counters and workbenches, on concrete walls and in many other problem areas where outlet boxes either won't fit or are impractical.

Receptacles can be quickly snapped open to unlock, lifted off and relocated anytime. Just press the top plate shut and the receptacle automatically connects and locks into the strip.



### How to install

1. To install End Feed (E3F2), remove cover and mount back plate. Can be either back fed or end fed through KO's suitable for 1/2" conduit. Replace cover.
2. To install Narrow Feed-In (E3F3), connect wires black-to-white, white-to-white in standard outlet box. The green wire is the grounding conductor.
3. To install the Split Wire Feed-In, (E3F4), follow procedure used for E3F3. Connect the second 120 Volt circuit to the extra black wire. (Check direction of circuits with tester).
4. Attach cover plate of (E3F3 or E3F4) by tightening the 2 screws. The pressure-connector feeds from both ends, and swivels for horizontal or vertical runs.
5. Insert the bare wire-ends into the Feed-In until firmly seated into the concealed pressure-connectors. This assures positive electrical contact.
6. When Narrow Feed-In (E3F3 or E3F4) is used as an end feed only, insert provided sealing plug into the open end. Mounting screw guide holes are pre-punched every 8" along strip.
7. To mount Tee (E3T1), establish its desired position. Use template on back of Tee as a guide to cut strip to proper length. Bare wires as before. Insert strip into Tee. Surface-mount the Tee.
8. Secure the Electrostrip to the surface within 2" of Tee fitting. Direction of arrows, imprinted on Electrostrip, should be as indicated to ensure proper connections.
9. To turn corners, bend strip first and mount strip from the corner back toward the Feed-In. Fasten with mounting screws 2" from each side of the corner.
10. Leave small excess in measuring to assure ample length. At end of Electrostrip run, use an End Cap (EC1) to insulate the conductors. Mount with the single screw in pre-drilled hole.

### End Stripping

- A. Bend grounding strip back out of the way and score plastic 3/8" from end on all sides with knife.
- B. Grip thick portion of plastic with pliers and bend to approx. 45° until it cracks at scoring.
- C. Peel plastic from around wires.
- D. Grip centre of plastic with pliers and break off by bending back and forth. All bared wires should be 3/8" long for connection to accessories. Straighten all three wires.

...a snap to use.

Snap open...

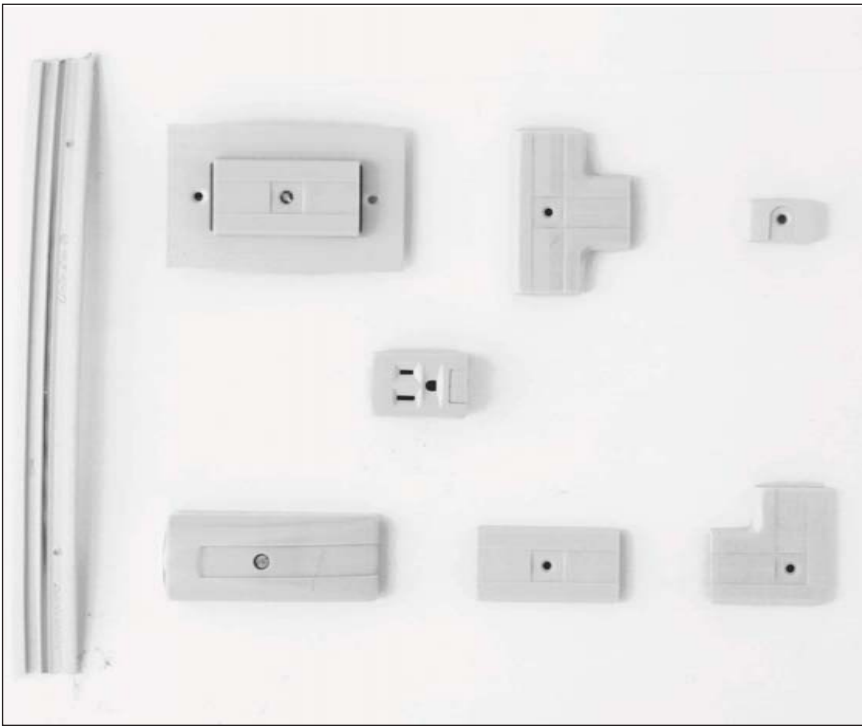


...lift off...



...place into  
new position  
and close.





Part

**Electrostrip Coil**

- E3-15W 15' Coil
- E3-25W 25' Coil
- E3-100W 100' Coil
- E3-250W 250' Coil

**Receptacle (3-Wire) E3R3W**

Snaps into Electrostrip at any point.  
Rated 15 Amps., 120V AC. Std. Pkg. 10

**Narrow Feed-In Device E3F3W**

E3F3 is designed to connect Electrostrip through standard receptacle box. May be used as End or Centre Feed.  
Rated 20 Amps., 120V AC. Std. Pkg. 20

**E3F4 Narrow Feed-In Device (Split)**

**E3F4W**  
E3F4-split feed-in device designed to connect to a 120/240V AC system. It provides two separate 120V circuits.  
Rated 20 Amps., 120/240V AC. Std. Pkg. 20

**End Cap EC1W**

End Caps are used to terminate the Electrostrip runs and assure maximum protection. Std. Pkg. 20 (x2)

**End Feed-In Device E3F2W**

Designed for use with 1/2" conduit, armoured or non-metallic sheathed cable, in conjunction with Electrostrip. 1/2" conduit K.O's are located on end and back.

Rated 20 Amps., 120V AC. Std. Pkg. 20

**Elbow E3L1 (3-Wire) E3L1W**

Can be used for right or left hand, upward or downward mounting of Electrostrip.

Rated 20 Amps., 120V AC. Std. Pkg. 20

**Tee E3T1 (3-Wire) E3T1W**

Provides upward or downward mounting plus additional leg for two-way extension of Electrostrip. Rated 20 Amps., 120V AC.  
Std. Pkg. 20

**Coupling E3J1 (3-Wire) E3J1W**

The coupling enables the installer to connect Electrostrip together or to continue runs from existing installations.

Rated 20 Amps., 120V AC. Std. Pkg. 20  
Electrostrip is available in White.

\* Package containing 2 end caps



## Contents

---

<b>General</b>	18-2
<b>Types of Power Distribution Systems</b>	18-3
<b>System Analysis</b>	18-6
<b>Current Limiting Circuit Breaker Technology</b>	18-7
<b>Overcurrent Protection and Coordination</b>	18-8
<b>Ground Fault Protection</b>	18-9
<b>Series-Connected Combination Ratings</b>	18-15
<b>Harmonics / K-factor Ratings</b>	18-16
<b>Table 1A:</b> Motor Full-Load Currents of Three Phase AC Induction Type Motors	18-18
<b>Table 1B:</b> Motor Full-Load Currents in Amperes, Single Phase AC	18-18
<b>Table 1C:</b> Motor Full-Load Currents in Amperes, DC	18-18
<b>Table 2:</b> Electrical Formulas for Finding Amperes, Horsepower Kilowatts, and kVA	18-18
<b>Conversion Tables</b>	18-19

## General

In the application of fusible switches and circuit breakers, consideration should be given to the following factors:

1. Voltage of circuit.
2. Ampacity of circuit.
3. Frequency of power source.
4. Operating conditions.
5. Fault current available.

**Voltage of Circuit** — The system voltage should not exceed the listed voltage rating of the circuit breaker, fuse or switch.

**Ampacity of Circuit** — The listed continuous current rating of the fuse or circuit breaker should not exceed the allowable ampacity of the conductors. Where the allowable ampacity of the conductor does not correspond to listed current ratings for fuses or circuit breakers, the next larger rating of fuse or circuit breaker is permitted providing it does not exceed the conductor ampacity by more than 25%. An exception to this rule is permitted for motor circuits or other circuits where high inrush currents may persist for an appreciable time.

**Frequency of Power Source** — Circuit breakers and fusible switches are calibrated for use on direct current or 48–68-Hertz alternating current. For frequencies above 62-Hertz, some fuses, switches and circuit breakers must be derated. The derating varies with each type and size of protective device. Consult your local representative for specific information.

**Operating Conditions** — Molded case circuit breakers and fuses are calibrated without any enclosure as specified by the UL and CSA. Sound engineering practice dictates that continuous loads should not exceed 80% of the breaker or fuse current rating for most types of enclosures.

**Electrical Connections** — Molded Case Circuit Breakers are to be connected with 60 or 75°C wire for breakers having a rated ampacity of 125 amperes or less. For circuit breakers having a rated ampacity greater 125 amperes, only 75°C cable shall be used unless otherwise indicated on the circuit breaker label.

**Note:** Exceptions to this rule are outlined in the Canadian Electric Code. Conductors should be derated in accordance with the Canadian Electrical Code for both ambient temperature and continuous loading. Conductors which are loaded continuously should be derated to 80% of their allowable current-carrying capacity except when supplied by an assembly including its overcurrent device that is listed for continuous operation at 100% of its rating.

When the type of load is unusual, intermittent, or one which involves momentary peak currents such as motor loads, consideration should be given to the heating effect on the protective device over a period of time. The duty cycle of a motor which is started and stopped frequently may require a circuit breaker or fuses with a higher rating than an infrequently started motor.

The presence of excessive dust, moisture, corrosive fumes, or explosive atmosphere requires the use of enclosures suitable for such atmospheres. For applications in regions where fungus growth may occur, some circuit breakers should be treated with a fungus and moisture resistant material.

**Fault Current Available** — The interrupting rating of the circuit breaker or fused switch should be greater than the available short circuit current at the point of application. The short circuit current from some power sources, such as engine driven generators, is limited, and the protective device characteristics should be selected to clear such faults without delay. Some systems require a study of protective device characteristics to assure proper protection and coordination for any possible value of fault current. Your representative is available to assist in making coordination studies.

## Types of Power Distribution Systems

There are several basic considerations which must be included by the system design engineer to select and design the best power distribution system which will supply power to both present and future loads most economically. Among these are:

- Safety
- Reliability
- Maintenance
- Flexibility
- Voltage Regulation
- Initial Investment
- Simplicity of Operation

The characteristics of electrical service available at the building site, the types of loads, the quality of service required, and the size and configuration of building are also important factors that will influence system design and circuit arrangement.

Four basic circuit arrangements are used for the distribution of electric power. They are the radial, primary selective, secondary selective, and secondary network circuit arrangements. The following discussion of these circuit arrangements covers both the high-voltage and low-voltage circuits. The reader should recognize that the high-voltage circuits and substations may be owned by either the utility company or the building owner, depending upon the electric rates, the practice, and requirements of the particular electric utility serving the specific building site.

### Radial System

If power is brought into a building at utilization voltage, the simplest and the lowest cost means of distributing the power is to use a radial circuit arrangement. The radial system is the simplest that can be used, and has the lowest system investment. It is suitable for smaller installations where continuity of service is not critical.

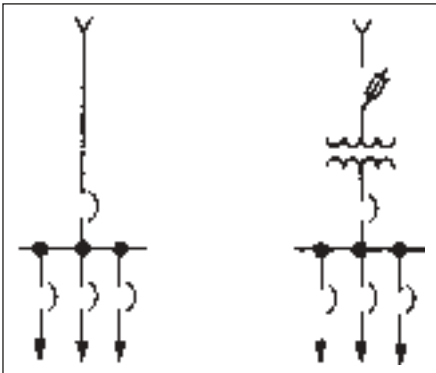


Figure 1. Radial Systems

The low voltage service entrance circuit comes into the building through service entrance equipment and terminates at a main switchgear assembly, switchboard or panelboard. Feeder circuits are provided to the loads or to other subswitchboards, distribution cabinets, or panelboards.

Figure 1 shows the two forms of radial circuit arrangements most frequently used. Under normal operating conditions, the entire load is served through the single incoming supply circuit, and in the case of high voltage service, through the transformer. A fault in the supply circuit, the transformer, or the main bus will cause an interruption of service to all loads. A fault on one of the feeder or branch circuits should be isolated from the rest of the system by the circuit protective device on that circuit. Under this condition, continuity of service is maintained for all loads except those served from the faulted circuit.

The need for continuity of service often requires multiple paths of power supply as opposed to the single path of power supply in the radial system.

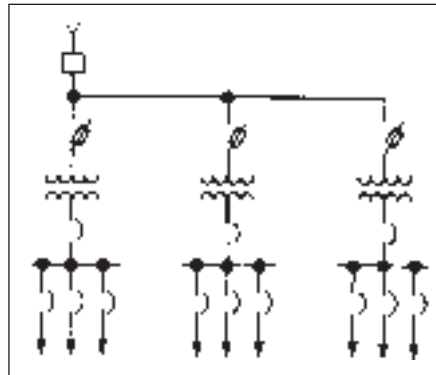


Figure 2. Expanded Radial System—Single Primary Feeder

A fault in a primary feeder in the arrangement shown in Figure 2 will cause the main protective device to operate and interrupt service to all loads. If the fault were in a transformer, service could be restored to all loads except those served from that transformer. If the fault were in a primary feeder, service could not be restored to any loads until the source of trouble had been eliminated. Since it is to be expected that more faults will occur on the feeders than in the transformers, it becomes logical to consider providing individual circuit protection on the primary feeders as shown in Figure 3. This arrangement has the advantage of

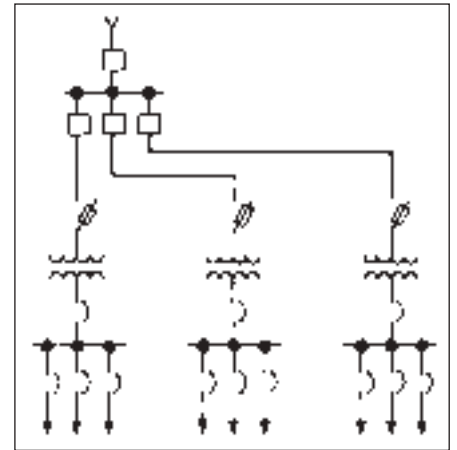


Figure 3. Expanded Radial Systems individual Primary Feeder Protection

making it possible to limit outages due to a feeder or transformer fault to the loads associated with the faulted equipment. If circuit breakers are used for primary feeder protection, the cost of this system will be high. Even if fused switches are used, the cost of the arrangement of Figure 3 will exceed the cost of the arrangement of Figure 2.

### Primary Selective System

The circuit arrangement of Figure 4 provides means of reducing both the extent and duration of an outage caused by a primary feeder fault. This operating feature is provided through the use of duplicate primary feeder circuits and load interrupter switches that permit connection of each secondary substation transformer to either of the two primary feeder circuits. Each primary feeder circuit must have sufficient capacity to carry the total load in the building.

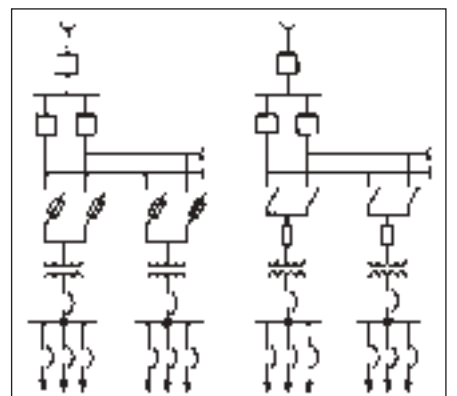


Figure 4. Primary Selective Systems

Under normal operating conditions, the appropriate switches are closed in an attempt to divide the load equally between the two primary feeder circuits. Then, should a primary feeder fault occur, there is an interruption of service to only half of the load. Service can be restored to all loads by switching the deenergized transformers to the other primary feeder circuit. The primary selective switches are usually manually operated and outage time for half the load is determined by the time it takes to accomplish the necessary switching. An automatic throwover switching arrangement could be used to avoid the interruption of service to half the load. However, the additional cost of the automatic feature may not be justified in many applications. If a fault occurs in a secondary substation transformer, service can be restored to all loads except those served from the faulted transformer.

The higher degree of service continuity afforded by the primary selective arrangement is realized at a cost somewhat higher than a simple radial system due to the extra primary cables and switchgear.

### Secondary Selective System

Under normal conditions, the secondary selective arrangement of Figure 5 is operated as two separate radial systems. The secondary tie circuit breaker in each secondary substation is normally open.

The load served from a secondary selective substation should be divided equally between the two bus sections. If a fault occurs on a primary feeder or in a transformer, service is interrupted to all loads associated with the faulted feeder or transformer. Service may be restored to all secondary buses by first opening the main secondary switch or circuit breaker associated with the faulted transformer and primary feeder, and then closing the tie breaker. The two transformer secondary circuit breakers in each substation should be interlocked with the secondary tie breaker in such a manner that all three cannot be in the closed position simultaneously. This prevents parallel operation of the two transformers and thereby minimizes the interrupting duty imposed on the secondary switching devices. It also eliminates the possibility of interrupting service to all loads on the bus when a fault occurs in either a primary feeder or a transformer.

The cost of the secondary selective system will depend upon the spare capacity in the transformers and primary feeders. The minimum transformer and primary feeder capacity will be determined

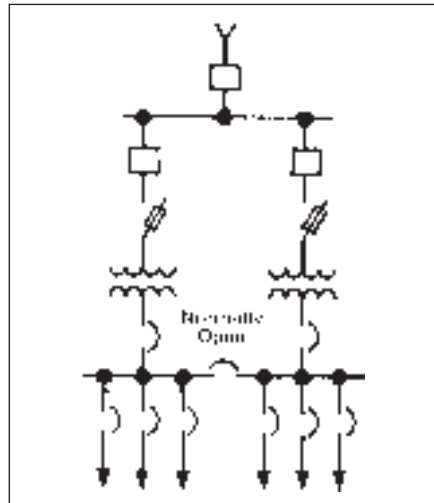


Figure 5. Secondary Selective System Using Close-Coupled Double-Ended Substation

by essential loads that must be served under emergency operating conditions. If service is to be provided for all loads under emergency conditions, then each primary feeder should have sufficient capacity to carry the total load, and each transformer should be capable of carrying the total load in each substation.

This type of system will be more expensive than either the radial or primary selective system, but it makes restoration of service to all essential loads possible in the event of either a primary feeder or transformer fault. The higher cost results from the duplication of transformer capacity in each secondary substation. This cost may be reduced by shedding nonessential loads.

A modification of the secondary selective circuit arrangement is shown in Figure 6. In this arrangement there is only one transformer in each secondary substation, but adjacent substations are interconnected in pairs by a normally open low voltage tie circuit. When the primary feeder or transformer supplying one secondary substation bus is out of service, the essential loads on that substation bus can be supplied over the tie circuit. The operating aspects of this system are somewhat complicated if the two substations are separated by distance. The best arrangement is to use close-coupled, double-ended substations.

### Secondary Network System

Many buildings with radial distribution systems are served at utilization voltage from utility secondary network systems. The network supply system assures a relatively high degree of service reliability. The utility network may take the form of a

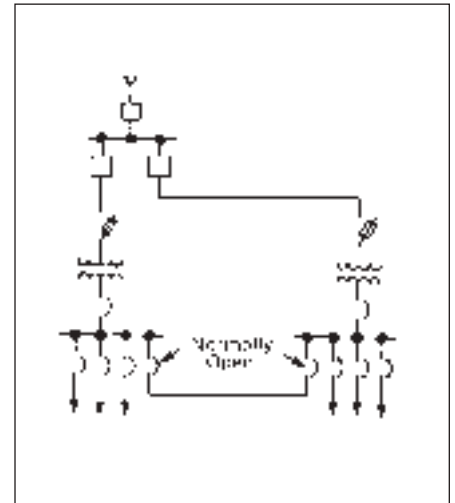


Figure 6. Secondary Selective System Using Two Single-Ended Substations With Cable or Bus Tie

distributed network or a spot network. If the building demand is in the order of 750 kVA or higher, a spot network will often be established to serve the building. In buildings where a high degree of service reliability is required, and where spot network supply may not be available, the distributed secondary network system is often used. This is particularly true of institutional buildings such as hospitals. The network may take the form of several secondary substations interconnected by low voltage circuits. However, the most common practice is to use some form of the spot network circuit arrangement.

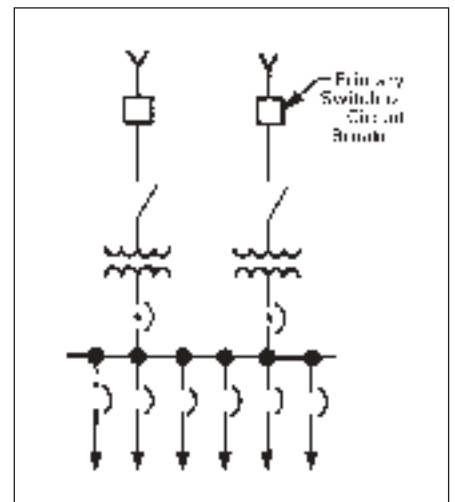


Figure 7. Simple Spot Network System

A simple spot network, such as shown in Figure 7, consists of two or more identical transformers supplied over separate primary feeder circuits. The transformers are connected to a common low voltage

## Types of Power Distribution Systems

bus through network protectors and are operated in parallel. A network protector is an electrically operated power circuit breaker controlled by network relays in such a way that the circuit breaker automatically opens when power flows from the low voltage bus toward the transformer. When voltages in the system are such that power would flow toward the low voltage bus from the transformer, it will close automatically.

Network protectors are normally equipped with relays which operate for faults in the network transformer or high voltage feeder only. The network is often operated on the assumption that network failure will "burn" open.

Network protectors without supplementary protection do not meet the requirements of the NEC for overcurrent, ground fault, or short circuit protection. Protection of the network or collector bus may be added by providing sensing devices, including ground fault detection, with tripping of the network protectors. The most common use of the network protector, however, has been by utilities in vaults where failure of the network devices could cause damage limited to the vault. High integrity design involving wide phase separation and the use of "catastrophe" fusing minimize the danger and extent of a network failure. A conventional circuit breaker with time overcurrent and instantaneous trip devices plus network relays can meet the NEC requirements. However, the full reliability of the network may be compromised since selectivity between these devices is difficult to obtain.

Under normal operating conditions, the total load connected to the bus is shared equally by the transformers. Should a fault occur in a transformer or on a primary feeder, the network protector associated with the faulted transformer or feeder will open on reverse power flow to isolate the fault from the low voltage bus. The remaining transformer or transformers in the substation will continue to carry the load and there will be no interruption of service to the loads, except for a voltage dip during the time that it takes for the protective equipment to operate.

If only two transformers are used in a spot network substation, each transformer must be capable of carrying the total load served from the low voltage bus. The amount of spare transformer capacity in the substation can be reduced by using a primary

selective switching arrangement with each transformer, or by using three or more transformers. If the primary selective switching arrangement is used, the total load can be about 160 percent of the nameplate rating of one of the transformers. This produces an overload on one transformer until such time as the remaining transformer can be switched to the other feeder in the case of a primary feeder fault.

The interrupting duty imposed on the low voltage protective devices in a spot network substation is higher than in radial, primary selective, or secondary selective substations having the same load capability because of the spare transformer capacity required in the spot network substation and because the transformers are operated in parallel.

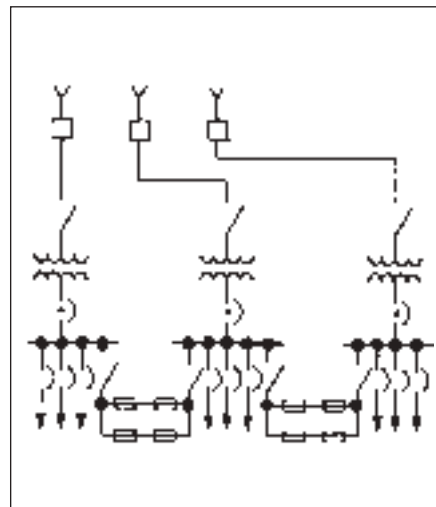


Figure 8. Secondary Network System

The spare transformer capacity, the network protectors, and the higher interrupting duty will make the secondary network arrangement much more expensive than the other arrangements. At the same time, these elements make the reliability of the network system greater than for the other system configurations.

The secondary network may also take the form shown in Figure 8. In this arrangement there is only one transformer in each secondary substation, and the substations are interconnected by normally closed low voltage tie circuits. The tie circuits permit interchange of power between substations to accommodate unequal loading on the substations and to provide

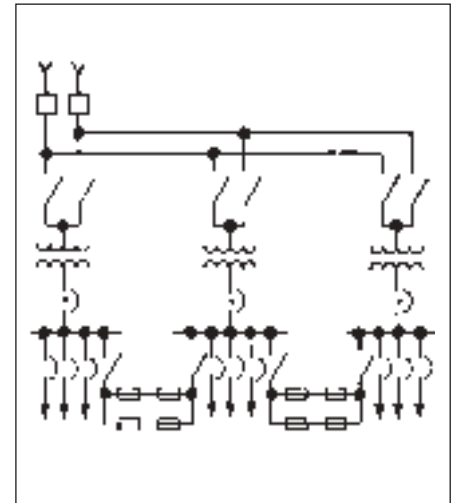


Figure 9. Primary Selective Secondary Network System

multiple paths of power flow to the various load buses. In normal operation, the substations are about equally loaded and the current flowing in the tie circuits is relatively small. However, if a network protector opens to isolate a transformer on a primary feeder fault, the load on the associated bus is then carried by the adjacent network units and is supplied over the tie circuits. This arrangement provides for continuous power supply to all low voltage load buses, even though a primary feeder circuit or a transformer is taken out of service.

In the network arrangement in Figure 9, if there were three incoming primary feeder circuits and three transformers, the combined capacity of two of the transformers should be sufficient to carry the entire load on the three substations on the basis that only one feeder is out of service at one time. Generally, these transformers would all have the same ratings. With this arrangement, as with the spot network arrangement, a reduction in spare transformer capacity can be achieved, if a primary selective switching arrangement is used at each substation transformer. However, if three or more primary feeder circuits are available, the reduction in transformer capacity achieved through the use of a primary selective arrangement may be small.

Cable ties or busway ties, as shown in Figures 8 and 9, will require careful consideration of load distribution during contingencies and of the safety aspects with regard to backfeeds. Key or other mechanical interlocking of switches or circuit breakers may be essential.



### General

Proper system design requires that the system be coordinated so the interrupting capacity and / or short circuit withstand capabilities of the various components in the system are not exceeded for any operating situation. Good practice also requires that the system be selective, that is, that the minimum portion of the system be interrupted on occurrence of a fault. The need for selectivity must always be balanced against the requirements of economics and coordination with the overall process needs.

At the conceptual phase of a project, several distribution system alternatives should be considered, and examined both technically and economically. This study should include sufficient detail for a thorough understanding of the system alternatives. The conceptual study should determine the optimal distribution system configuration for the project, on which definitive design can proceed.

At all stages of design, the principal objectives of personnel safety, equipment protection, process continuity, fault clearing, and service continuity should be considered.

In designing a new or modified distribution system, the following types of system studies may be needed:

- 1. Short Circuit Studies:** three phase, line-to-line, and line-to-ground faults can be calculated for both close-and-latch and interrupting conditions, necessary for checking interrupting device and related equipment ratings, and setting protective devices.
- 2. Circuit Breaker Application Studies:** consider the AC and DC decrements in the fault current, and the speed of the various medium voltage circuit breakers, to determine close-and-latch and interrupting duties.
- 3. Protective Device Coordination Studies:** determine characteristics and settings of protective devices, e.g., relays, trip devices, fuses, etc. The coordination study should provide a balance between protection of system equipment and continuity of service.
- 4. Load Flow Studies:** calculate voltages, phase angles, real and reactive power, line and transformer loadings under simulated conditions to aid in determining the performance of a new or revamped system during the planning stage.

**5. Motor Starting Studies:** determine severity of voltage dips and adequacy of load accelerating torque when starting large motors on a weak system.

Today, most studies are performed using computers. Some specialized studies require large computing resources, but many studies can now be performed on personal computers. A wide variety of software packages are available. In addition, many specialty firms exist which provide engineering service to perform such studies.

### Short Circuit Calculations

The single-line diagram serves as the starting point for the system study and selection of equipment ratings. The single-line must be modified to show all power sources and capacities, and system impedances. Sources of short circuit current include utility connections, local generation, and all rotating machines connected to the system at the instant the fault occurs. The system study should consider various fault types (line-to-line and line-to-ground) and fault locations.

The value of normal load current in a circuit depends on the load connected, and is essentially independent of the capacity of the power system. On the other hand, the short circuit current depends almost entirely on the capacity of the power system, not the size of the load.

The total fault current consists of a symmetrical AC component, superimposed on a DC (offset) component. Hence, the total fault current is asymmetric with respect to the current axis. The value of the DC component depends on the point of the voltage wave at which the fault was initiated. For system studies, it is assumed that the fault is initiated at the worst point, to produce a "fully offset" fault current.

This is illustrated in Figure 10.

Short circuit currents are determined by the system impedance, including both reactance and resistance. The effect of the reactance is to cause the initial fault current to be high, with the fault current declining as time proceeds. This is represented as the summation of a DC component which decays relatively rapidly over time, and an AC component, which decays at a slower rate. The rate of decay of the components depends on the system X / R ratio.

Since the reactance of rotating machines varies with the time from fault initiation, the short circuit calculations must use the appropriate machine reactance values. Subtransient reactance ( $X''_d$ ) governs current flow for approximately the first 6 cycles of a fault. Then, transient reactance ( $X'_d$ ) determines current flow up to around 30-120 cycles, depending on the machine. After this, synchronous reactance ( $X_d$ ) applies, but studies seldom use this value as faults are not usually allowed to persist for this length of time.

For transformers, the actual tested value of the transformer impedance is used. If this is not available, use design impedance adjusted to the minimum value allowed by manufacturing tolerance of  $\pm 7.5\%$ . For example, a 5.75% design unit has a tolerance range of 5.32-6.18%, and 5.32% would be used in a system study prior to manufacture.

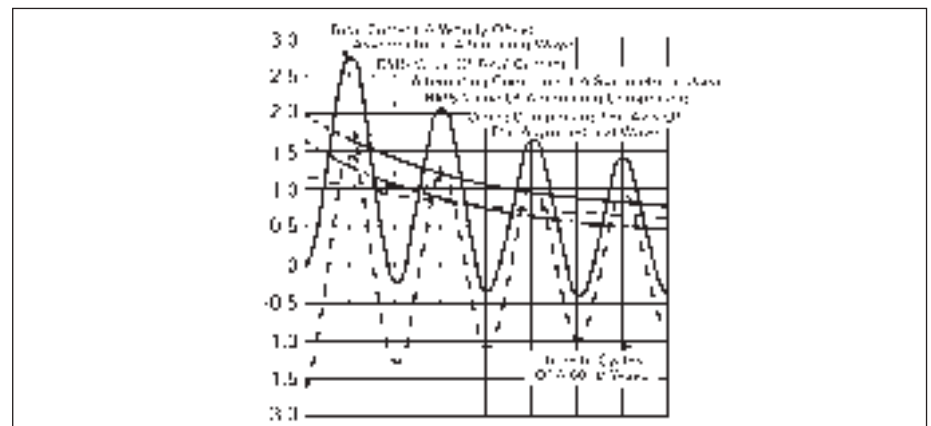


Figure 10. Structure of Asymmetrical Current Wave (Fully Offset)

### Fuseless Current Limiting Circuit Breakers

The technology of Siemens Sentron® fuseless current limiting circuit breakers was developed to meet the demands of modern distribution systems. It is not uncommon for today's systems to have prospective short circuit currents approaching 200,000 amperes. Users demanded the protection and flexibility afforded by circuit breakers, without the nuisance and expense of fuse replacement.

A fuseless current limiting circuit breaker as one that "does not employ a fusible element, and that when operating within its current-limiting range, limits the let-through  $I^2t$  to a value less than the  $I^2t$  of a half-cycle wave of the symmetrical prospective current."

$I^2t$  is an expression which allows comparison of the energy available as a result of fault current flow. As used in current limiting discussions,  $I^2t$  refers to the energy released between the initiation of the fault current and the clearing of the circuit.

Figure 11 relates the "prospective  $I^2t$ " to the energy allowed by a Sentron current limiting circuit breaker, or "let-through  $I^2t$ ". The upper curve represents the maximum  $I^2t$  the circuit can produce, unaltered by the presence of any protective device. The lower curve illustrates the reduction in energy allowed when Sentron current limiting circuit breakers are used.

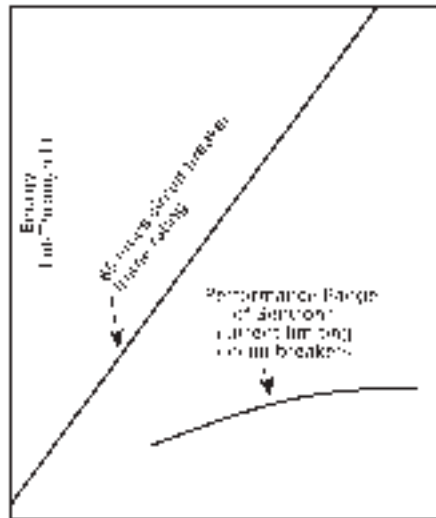


Figure 11. Reduction of  $I^2t$  Let-Through with Current-Limiting Technology

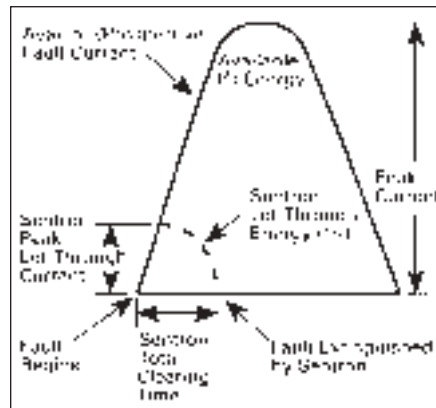


Figure 12. Current Limitation

Figure 12 illustrates how the Sentron circuit breaker limits the energy under fault conditions. The upper curve illustrates the first half-cycle wave of prospective fault current. To qualify as truly current limiting, the circuit breaker must prevent the current value from reaching the maximum value that it would reach if the circuit breaker were not connected in the circuit.

The Sentron circuit breakers use the "blow-apart" contact principle to accomplish current limitation. This principle is based on the electro-magnetic repulsion of adjacent conductors which carry current in opposite directions.

The contact arms are arranged to create opposing magnetic fields. As fault current rises, magnetic repulsion forces the contacts to separate completely. The higher the fault current, the faster this "blow-apart" action occurs.

As figure 12 illustrates, the energy let-through with the current limiting Sentron circuit breaker is decreased significantly. This provides better protection for downstream equipment, and reduces damage.

### Applications and Ratings

Sentron current limiting circuit breakers are designed for use in loadcentres, power panelboards, distribution switchboards, secondary unit substations, and all types of individual enclosures where the available fault currents exceed the interrupting ratings of heavy duty and extra-heavy duty molded case circuit breakers.

Sentron circuit breakers have ratings of 15 through 1600 amperes, 240 through 600 volts AC, with up to 200,000 symmetrical amperes interrupting rating.



Coordination of a power distribution system requires that circuit protective devices be selected and set so that electrical disturbances, such as over-loads or short circuits, will be cleared promptly by isolating the faulted equipment with minimum service disruption of the distribution system. Time / Current Characteristic Curves are available for circuit protective devices, such as circuit breakers and fuses, which show how quickly they will operate at various values of overload and short circuit current. Coordination can be obtained by comparing these curves for each device in series in the system.

In developing the system, it will be noted that many compromises must be made between the various objectives:

1. System reliability.
2. Continuity of service.
3. Equipment and system protection.
4. Coordination of protective devices.
5. System cost.

### Preliminary steps in Coordination study:

A) One-line diagram: used as a base on which to record pertinent data and information regarding relays, circuit breakers, fuses, current transformers, and operating equipment while at the same time, providing a convenient representation of the relationship of circuit protective devices with one another.

B) Short-circuit study: record all applicable impedances and ratings; using these values, a short-circuit study is made to determine currents available at any particular point in the system.

C) Determine maximum load currents which will exist under normal operating conditions in each of the power-system circuits, the transformer magnetizing inrush currents, and times, and the starting currents, and accelerating times of large motors. These values will determine the maximum currents which circuit protective devices must carry without operating. The upper boundary of current sensitivity will be determined by the smallest values resulting from the following considerations:

- 1) Maximum available short-circuit current obtained by calculation.
- 2) Requirements of applicable codes and standards for the protection of equipment such as cable, motors, and transformers.
- 3) Thermal and mechanical limitations of equipment.

D) Time / current characteristic curves of all the protective devices to be coordinated must be obtained. These should be

plotted on standard log-log coordination paper to facilitate the coordination study.

### Mechanics Of Achieving Coordination:

The process of achieving coordination among protective devices in series is essentially one of selecting individual units to match particular circuit or equipment protection requirements, and of plotting the time/current characteristic curves of these devices on a single overlay sheet of log-log coordination paper.

The achievement of coordination is a trial-and-error routine in which the various time / current characteristic curves of the series array of devices are matched one against another on the graph plot.

When selecting protective devices one must recognize ANSI and CEC requirements and adhere to the limiting factors of coordination such as load current, short-circuit current, and motor starting. The protective devices selected must operate within these boundaries while providing selective coordination

where possible. Selective coordination is usually obtained in low voltage systems when the log-log plot of time / current characteristics displays a clear space between the characteristics of the protective devices operating in series, that is, no overlap should exist between any two time/current characteristics if full selective coordination is to be obtained. Allowance must be made for relay overtravel and for relay and fuse curve accuracy. Quite often the coordination study will stop at a point short of complete selective coordination because a compromise must be made between the competing objectives of maximum protection and maximum service continuity.

### Computer Aided Coordination:

The philosophy discussed above applies to the "classical" practice of performing coordination studies manually. Today, however, there are numerous personal computer software programs available for performing coordination studies.

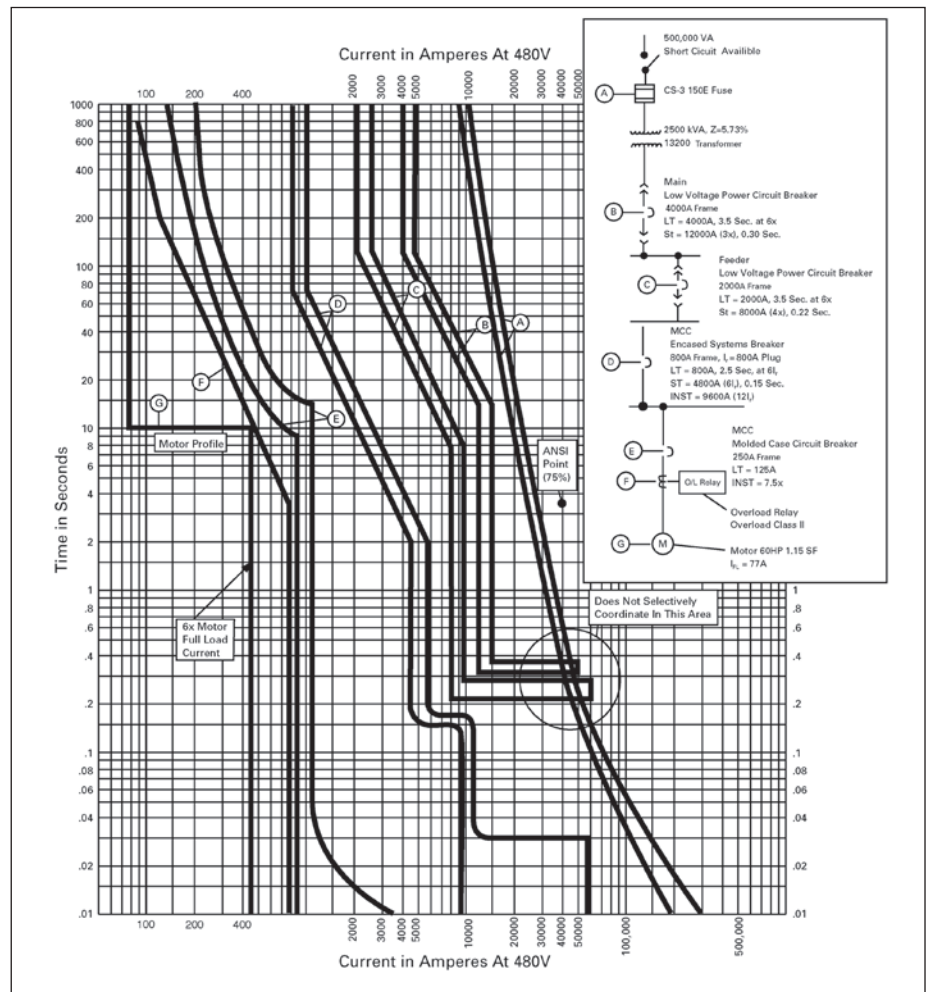


Figure 13. Coordination of Example System

The term “low magnitude” arcing ground fault is a deceptive description of this type fault. What is meant by this is that the fault current magnitude is low compared to that of a bolted fault. Even so, the arc energy released at the point of the fault can cause much damage and may result in a fire. A ground fault is an insulation failure between an energized conductor and ground. A phase-to-ground arcing fault, unlike a phase-to-phase bolted fault, is a high-impedance type fault. The factors that contribute to this high impedance are the resistance of the arc and the impedance of the return path. This return path is usually metal conduit, raceway, busway housing or switchboard frames. Another contributing factor is the spasmodic nature of the arc. The circuit breaker or fuse protecting the circuit detects the fault current, but the actual ground fault current magnitude is ever changing due to arc elongating blowout effects, self-clearing attempts and arc reignition.

These current limiting effects make the circuit breaker or fuse incapable of detecting the actual damage that is occurring. This is not to imply that these devices are inadequate. The problem is one of system protection because the circuit breaker must be adjusted (or fuse size selected) so as to hold without tripping under momentary overload conditions, such as motor starting current or transformer inrush current. Therefore, the circuit breaker or fuse cannot open quickly enough under relatively low magnitude faults to limit the arcing damage.

Figure 14 illustrates the basic problem. Shown is a typical distribution system with a 1600 ampere main service entrance unit with a circuit breaker (single line “a”) or fused service protector (single line “b”). A ground fault of 1500 amperes on the bus would affect but would not open either device. A 4000 ampere ground fault would be cleared in approximately 35 seconds by the circuit breaker and in 230 seconds by the fuse. To allow a fault of this magnitude to persist for this length of time would create more than 92,000 kW seconds of arc energy. As a result of tests made, it has been determined that an arc with a value of 1050 kW seconds of energy would vaporize about 1.0 cubic in. of copper or 2.5 cubic in. of aluminum. Obviously a fault of the magnitude shown in Figure 14 could cause a considerable amount of damage.

The nature of low-level arcing ground faults makes impractical their detection

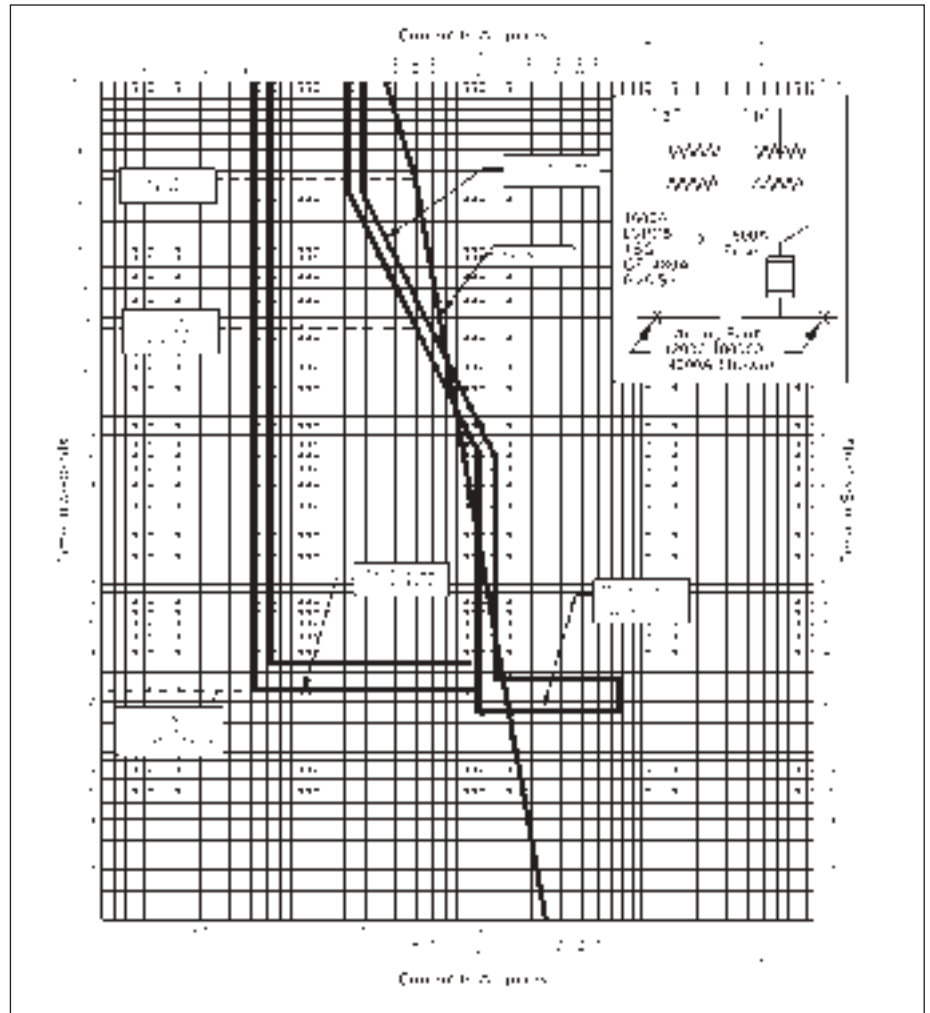


Figure 14. Ground Fault Protection

by a traditional overcurrent devices. To complete total protection of the system against all possible types of faults, other means are utilized to detect ground fault currents, including:

- **Zero sequence method**
- **Source ground current (or ground return) method**
- **Residual connection method**

### Zero Sequence Method

This is commonly used when ground fault protection is provided for equipment employing electromechanical trip devices. The scheme uses a core balance type current transformer (ground sensor) which encircles all phase conductors (and neutral on four wire system) to detect ground faults.

The operation of this system is such that under normal operating conditions (eg., no ground fault on the system) there is

no output from the ground sensor to the tripping relay because the vector sum of all the currents through the sensor window is zero.

$$(I_a + I_b + I_c + I_n = 0)$$

If a ground fault occurs on the system, there is now an additional current ( $I_g$ ) seen by ground sensor which returns to the source by a path other than through the sensor window. The sensor now sees an unbalance caused by  $I_g$  and operates the ground relay which trips the circuit protector.

$$(I_a + I_b + I_c + I_n = I_g)$$

The ground sensor is located downstream from the point at which the system is grounded and can be mounted either on the line side or load side of the main disconnect device. This method can be used on incoming main disconnect or on feeders.

### Source Ground Current (or Ground Return) Method

This method of detecting the ground fault current  $I_g$  locates the ground sensor on the neutral connection to ground at the service entrance. This means that the ground sensor only detects ground fault current. This type of detection has some limitations because it is detecting the ground fault return current. On multiple source systems with multiple connections to ground, this ground fault current can return by more than one path, therefore, some sensitivity in detecting these faults would be lost.

### Residual Connection Method

Current sensors, one on each of the phase conductors and on the neutral conductors, are connected in common. This common (or residual connection) measures the vector summation of the phase currents and the neutral current. Under normal conditions, this vector summation will be zero, and no current will be applied to the ground relay.

If a fault involving ground occurs, the current summation is not equal to zero. Current flows into common connection which is applied to the relay. This method of detecting ground fault current is used in circuit breakers with electronic trip device.

## Residual Ground Current Sensing

### 3-Wire System

This system is used with electronic trip units, and always includes three current sensors mounted on the circuit breaker. A trip element is connected in series with each sensor to provide phase overcurrent protection. By adding a ground trip element in the residual (neutral) circuit of the three current sensors, it will sense ground fault current only, and not load current. This permits more sensitive settings to protect against low magnitude ground faults. This scheme is shown in Figure 18.

Under normal conditions, the vector sum of the current in all of the phases equals zero. No current would flow in the GND element, which is also true under the condition of a phase-to-phase fault.

A phase-to-ground fault would cause a current to flow in the GND trip element. If the magnitude of this current exceeds the pickup setting for the required time, the trip unit will operate to trip the breaker.

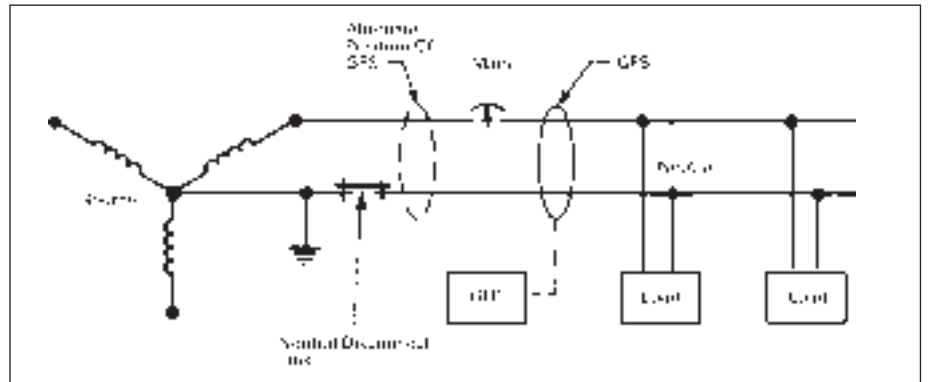


Figure 15. Schematic for Zero Sequence

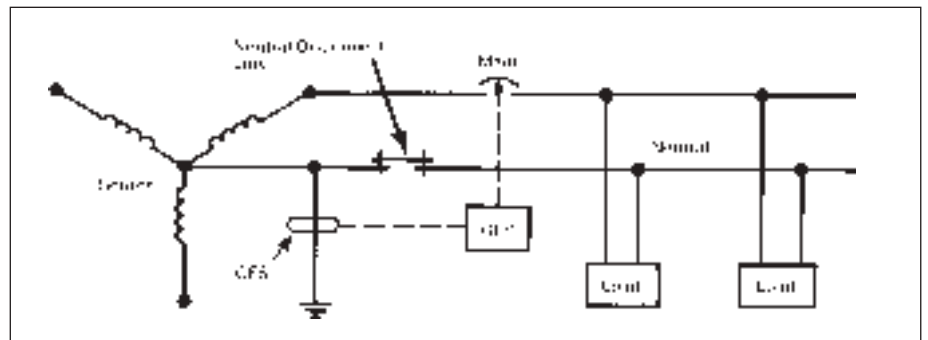


Figure 16. Schematic for Source Ground Current

**GFS** = Ground Fault Sensor  
**GFP** = Ground Fault Protection (Relay or Trip Unit)

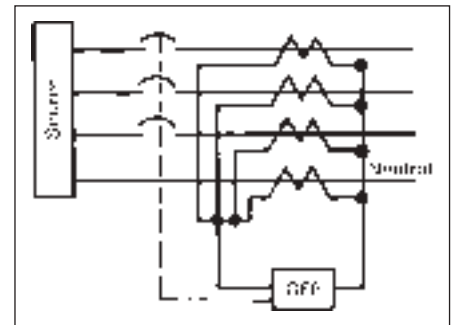


Figure 17. Schematic for Residual Method

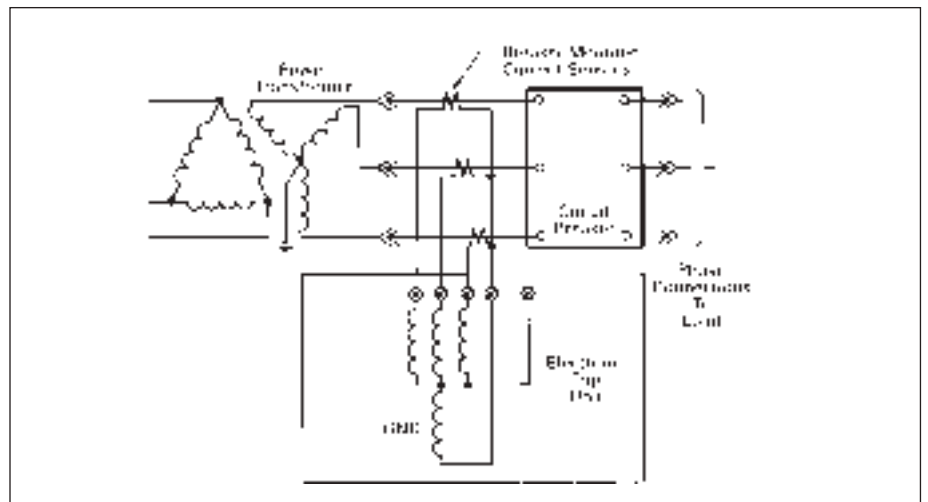


Figure 18. Schematic for Ground Protection on 3-Wire Systems, Residual Sensing

### 4-Wire System

To avoid false tripping, a fourth current sensor is connected in the neutral conductor to sense normal neutral current. This fourth sensor is connected so that it cancels the normal neutral current which is developed in the residual circuit as shown in Figure 19.

Under normal conditions, the vector sum of the current in all phases equals the neutral current. Disregarding the effects of the neutral sensor connection, the neutral current would flow through the GND element. Since this is normal neutral current, pickup of the GND element is not desired. Therefore, the neutral sensor is added to sense the same neutral current as the GND sensor — but opposite in polarity. The result is a circulating current between the phase sensing current sensors and the neutral sensor, with no current flowing through the GND sensor. This is similar to a differential relay circuit. When a phase-to-ground fault occurs, the vector sum of the phase currents will no longer equal the neutral current because the ground

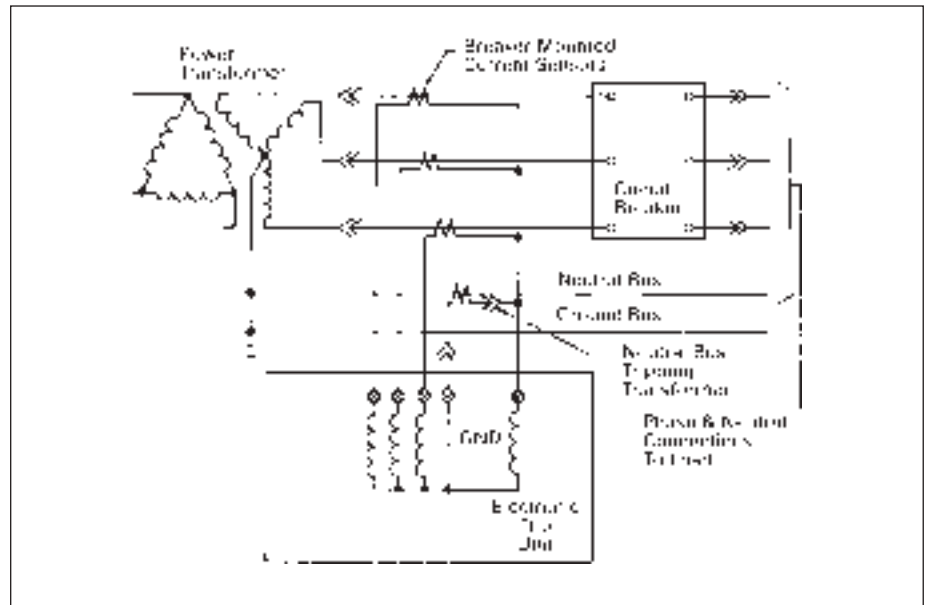


Figure 19. Schematic for Ground Protection on 4-Wire Systems, Residual Sensing

fault current returns via the ground bus and bypasses the neutral. If the magnitude of the phase-to-ground

current exceeds the pickup setting of the GND element for the required time, the trip unit will operate to open the breaker.

## Types Of Coordinated Ground Fault Tripping Systems

There are two types of Coordinated Ground Fault Systems:

- **Time / Current Selective**
- **Zone Selective (Zone Interlock)**

### Time / Current Selective

In this system the time / current characteristics of the Ground Fault Protection (GFP) devices used with each disconnect are coordinated so that the nearest disconnect supplying the ground fault location will open. Any upstream disconnects remain closed and continue to supply the remaining load current. Each set of GFP devices should have a specified time-current operating characteristic. When disconnects are connected in series, each downstream device should use a time-current setting that will cause it to open and clear the circuit before any upstream disconnect tripping mechanism is actuated. The time-current bands of disconnects in series must not overlap and must be separated from each other sufficiently to allow for the clearing time of each disconnecting means used. The time / current selective system is recommended for applications where damage levels associated with the time / current settings used are tolerable. This type of system does not require

interlocking wiring between the GFP devices associated with main feeder and branch disconnecting devices.

Figure 20, on the next page, illustrates time / current selective coordination in a system involving a 4000 ampere main circuit breaker and a 1600 ampere feeder circuit breaker in an incoming service switchboard. These feed a distribution switchboard with a 600 ampere sub-feeder to a 100 ampere branch breaker. The system is coordinated so that only the circuit breaker nearest the location of the ground fault trips.

### Zone Selective (Zone Interlock)

In this system each disconnecting means should open as quickly as possible when a ground fault occurs in the zone where this disconnect is the nearest supply source.

The GFP device for an upstream disconnecting means should have at least two modes of operation. If a ground fault occurs between it and the nearest downstream disconnect, it should operate in its fast tripping mode.

When a ground fault occurs beyond the downstream disconnect, the downstream GFP device should open in its fast tripping mode and simultaneously

send a restraining signal to the upstream device and transfer that device to a time-delay tripping mode. The upstream time-delay tripping characteristic selected should be such that the downstream disconnect will open and clear the circuit before the upstream disconnect tripping mechanism is actuated. The time-current characteristic of the upstream device should be such as to offer backup protection in the event of malfunction of the downstream equipment.

Alternatively, a restraining signal from a downstream device may be used to prevent the tripping of an upstream disconnect on ground fault instead of causing it to operate in the time-delay tripping mode. This may be done where backup protection is less important than continuity of service to critical loads supplied by the upstream unit. There are very few instances in which this is justified, and a careful study of the entire system should be made before using this type of interlocking.

For a zone selective system, the time-current bands of disconnects in series, although used only for backup protection, should not overlap and should be separate from each other sufficiently to allow for the opening time of each disconnecting means used.



### Time/Current Selective Ground Coordination

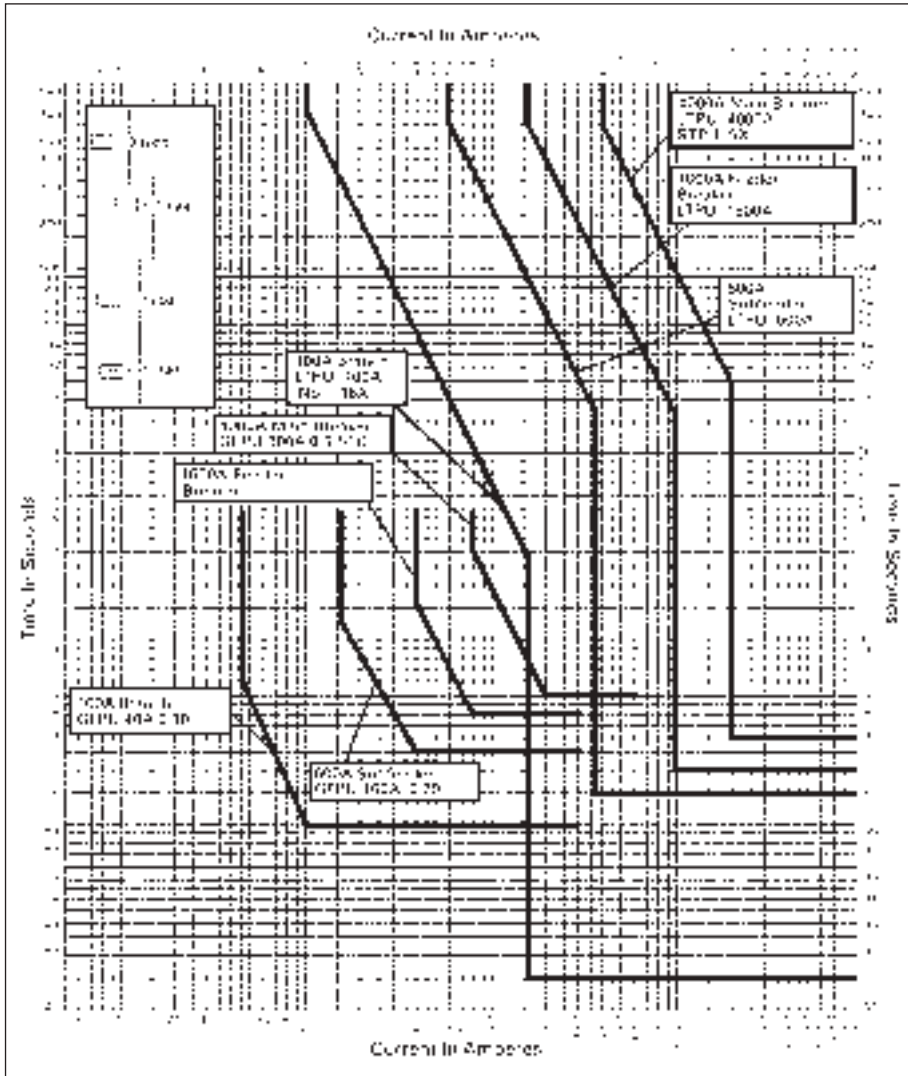


Figure 20. Fully Coordinated Multizone GFP System

The zone selective or zone interlock system provides fast tripping of the nearest disconnect upstream of the ground fault. The damage level is the lowest that is possible because the ground fault is cleared as quickly as the protective equipment can respond and the disconnect can open. Additional interlocking wiring and circuitry for sending and receiving the restraining signals are required.

The zone selective or zone interlock scheme is for those few special applications where exceptionally fast tripping is necessary for all feeders throughout the entire system to reduce damage. Note that although the relay time can be reduced appreciably, the circuit breaker mechanism and arcing time (plus safety margin) will still be present.

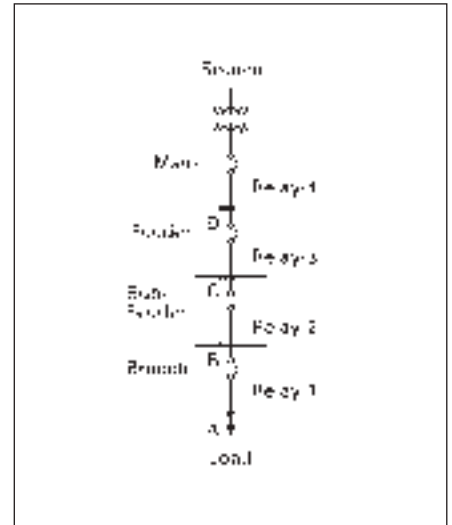


Figure 21. Zone Interlocking Scheme

#### Zone Selective Operation (Figure 21):

- Relay-1** will sense a ground fault at **A** when it exceeds 10 amperes. It will instantly initiate tripping of the **Branch** breaker and send restraining signals (transfer from instantaneous operation to time-delayed operation) to **Relay-2** and **Relay-3** (Relay-2 and Relay-3 will then back up Relay-1 on a time coordinated basis). **Relay-4** will be restrained by **Relay-2** if ground fault exceeds 100 amperes.
- Relay-2** will sense a ground fault at **B** when it exceeds 100 amperes. It will instantly initiate tripping of the **Sub-Feeder** breaker and send restraining signals to **Relay-3** and **Relay-4**.
- Relay-3** will sense a ground fault at **C** when it exceeds 400 amperes. It will instantly initiate tripping of the **Feeder** breaker and send a restraining signal to **Relay-4**.
- Relay-4** will sense a ground fault at **D** when it exceeds 800 amperes. It will instantly initiate tripping of the **Main** breaker.

Table A.1

Typical Ampere Setting	Restrained Time Delay
800	0.4 SEC.
400	0.3 SEC.
100	0.2 SEC.
10	0.1 SEC.

### Typical Application Diagrams

Figures 22 through 27 on this and the facing page show the basic methods of applying ground fault protection (GFP). Other types of distribution systems will require variations of these methods to satisfy other system conditions.

These diagrams show circuit breakers as the disconnects. Any disconnecting

means can be utilized, providing it is suitable for use with a ground fault protection system as indicated in the scope of this application guide. The examples do not show protection against a ground fault on the supply side of the main disconnect.

Sensing device and disconnect locations define zones of protection. Source side

and ground return sensors provide protection only on the load side of associated disconnects. If a vector summation method is used and its sensors are located on load side of a disconnect, the zone between a source and actual sensor location becomes the responsibility of the next upstream protective device.

**Table A.2 Recommendations for Figures 22-27**

Ground Fault Protection	Figure	Sensing Method	Additional Ground Points	Recommended Use	Selectivity
<b>On Main Disconnect Only</b>	22	Vector Summation	Must not be downstream. May be upstream	Minimum protection only per Section 230-95 for the National Electric Code	Limited selectivity depends on location of fault and rating of overcurrent devices on the upstream side of fault.
	23	Ground Return	None		
<b>On Main and Feeder Disconnects</b>	24	Main and Feeders – Vector Summation	Must not be downstream of main ground fault sensor. May be upstream.	Improved service continuity is required	Main will allow feeder to trip for faults downstream of feeder sensors, but main will trip if feeder fails to operate.
	25	Main – Ground Return Feeders – Vector Summation	None		
<b>On Main, Feeder, and Selected Branch Disconnects with Zone Selective Interlocking</b>	26	Main and feeders 1-3 – Vector Summation MCC branch feeder A – Zero Sequence	Must not be downstream of main ground fault sensor. May be upstream.	Improved service continuity and minimum arcing fault damage are required and protection is needed on branch circuits.	Main and feeder 1-3 will provide delayed backup protection if fault is downstream of MCC branch feeder A. Main will provide delayed backup protection if fault is downstream of sensors for feeders 1-3. Main will trip on fastest curve if fault is upstream of sensors for feeders 1-3.
<b>Double-Ended System with Protection on Main and on Tie and Feeder Disconnects</b>	27	Main and Tie – Ground Return Feeders – Vector Summation	None	Double-ended systems with ground fault protection on tie disconnect where maximum continuity of service is essential.	When operating with tie disconnect open, main will provide delayed backup protection if fault is downstream of feeder sensors. When operating with the tie disconnect closed, the tie will trip before the main, thus sectionalizing the bus.

### Ground Fault Protection on Main Disconnects Only

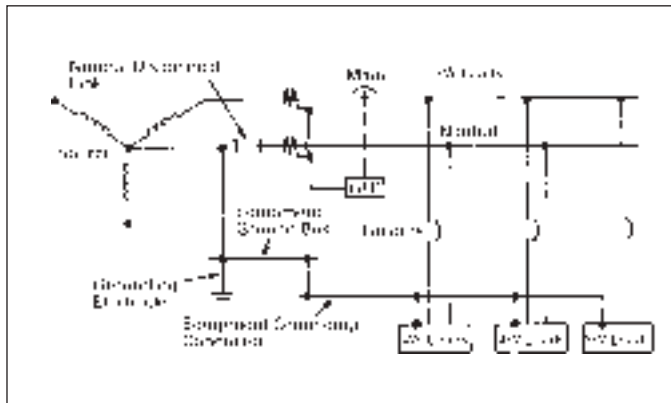


Figure 22

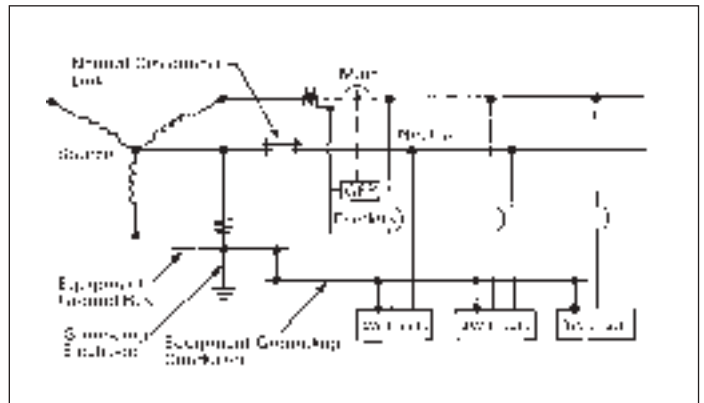


Figure 23

### Ground Fault Protection on Main and Feeder Disconnects

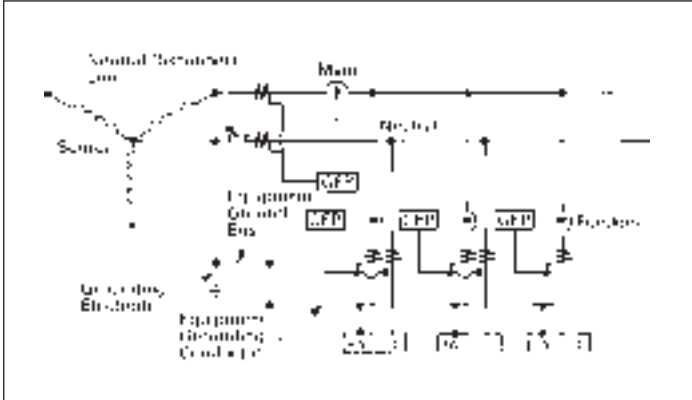


Figure 24

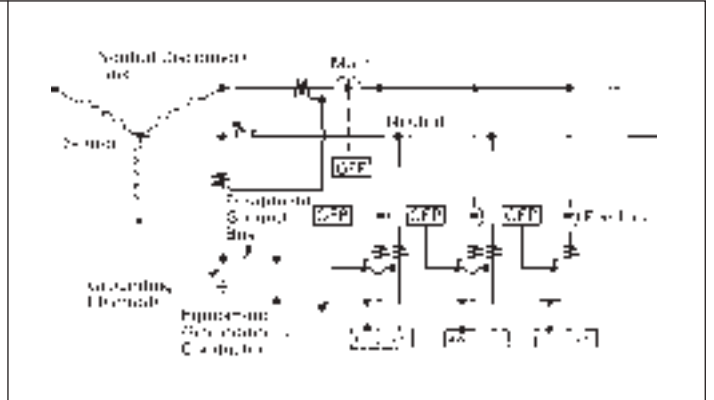


Figure 25

### Ground Fault Protection on Main, Feeder and Selected Branch Disconnects with Zone Selective Interlocking

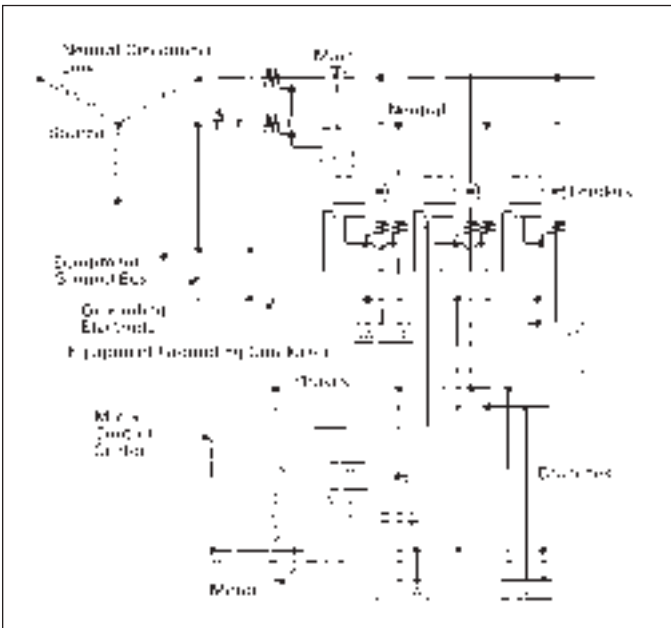


Figure 26

### Double-Ended System with Ground Fault Protection on Main and on Tie and Feeder Disconnects

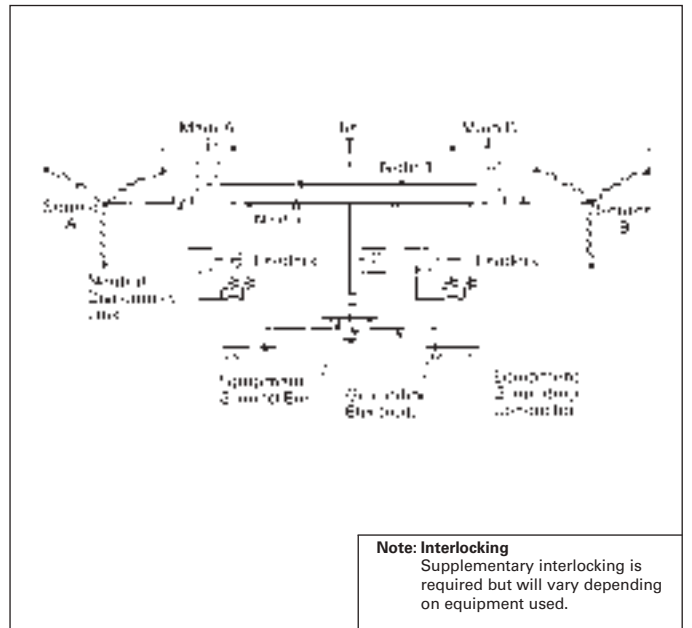


Figure 27

**Note: Interlocking**  
Supplementary interlocking is required but will vary depending on equipment used.



### Series-Connected Rating

A series-connected rating can be assigned to a combination of components — typically circuit breakers — which has been tested in combination to a higher interrupting rating than that of the lowest rated protective device of the combination. These ratings must be substantiated by extensive CSA testing.

### General

“Equipment intended to interrupt current at fault levels shall have an interrupting rating not less than the nominal circuit voltage and the current that is available at the line terminals of the equipment. Equipment intended to interrupt current at other than fault levels shall have an interrupting rating at nominal circuit voltage not less than the current that must be interrupted.”

The difference between the phrases “at fault levels” and “at other than fault levels” is the part of the Code which makes series-connected systems possible. For example, the traditional method of satisfying the Code was to select each breaker in the series with an interrupting rating equal to or greater than the prospective fault current. The interrupting rating of a circuit breaker — stated in RMS symmetrical amperes — is the amount of short circuit current the device can safely interrupt and continue to function as a circuit breaker.

Thus, if the prospective fault current at the line terminals of a panelboard is 100,000A RMS symmetrical, this traditional method would require that all the circuit breakers within the panelboard be rated at 100,000A RMS symmetrical or greater interrupting capacity. This is illustrated in Figure 28. In the traditional system, both

the main and the feeder breaker are subjected to several short circuit peaks. In a series-connected system, however, the individual components (or circuit breakers) *have already been tested in series and the combination has been given an interrupting rating equal to or greater than various prospective fault currents which are available.* The combination, therefore, acts as a *single entity*, and performs the same protective function as individual circuit breakers in the traditional method. The difference is that combinations in series-connected systems contain devices with lower interrupting ratings.

Siemens circuit breakers used in series combinations which have passed extensive tests required by CSA.

Using the previous example, if the prospective fault current at the line terminals of the panelboard is 100,000 amperes RMS symmetrical, the series-connected method would involve selecting a specific *combination* with a rating of 100,000 amperes RMS symmetrical or greater interrupting capacity. That combination might include individual components which have lower individual interrupting ratings than 100,000 amperes RMS symmetrical.

However, all the components in the combination have been tested together and form an entity that will safely interrupt the prospective fault current of the particular situation being examined as long as the interrupting rating listed matches the prospective fault current.

With the advent of fuseless current limiting circuit breakers such as Sentron, another important development in series-connected combinations has emerged. Because of the fuseless current limiting circuit breaker’s extremely fast interrupting capability, this device provides more control over high prospective fault currents than traditional series-connected systems.

The concept behind using fuseless current limiting circuit breakers as a component in a series-connected system is twofold: (1) higher interrupting ratings, and (2) increased control over peak current ( $i_p$ ) and energy let-through ( $I^2t$ ).

For example, a current limiting circuit breaker is placed at the side closest to the source of power and rated according to the prospective fault current available at the line-side terminals. In effect, doing this places a “shroud of protection” over the downstream components. Because of the inherent high interrupting capability of the current limiting circuit breaker, the breaker itself meets or exceeds the prospective short circuit current. Because of its current limiting action the prospective  $I^2t$  never reaches downstream components. This is illustrated in Figure 29.

It is important to recognize that the current limiting circuit breaker be an individual component in a CSA tested combination, and that it is the combination itself — current limiting circuit breaker *plus* other circuit breakers — that forms entity specified in day-to-day applications.

For specific series-connected combinations that have met CSA requirements please refer to the breaker section of this catalogue or contact your local Siemens Sales Office.

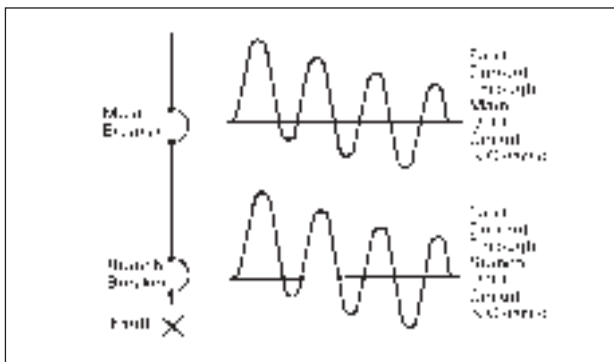


Figure 28 — Without Current Limiting

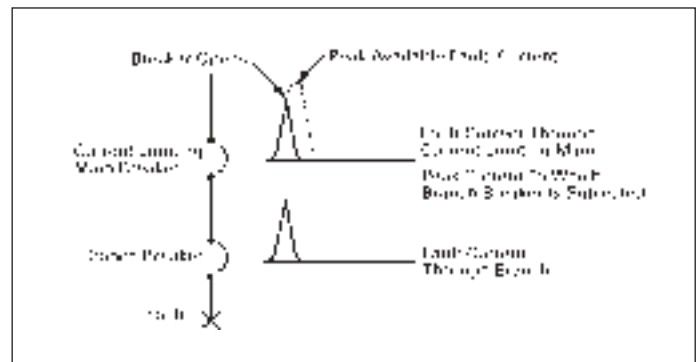


Figure 29 — Series-Connected Protective Scheme With Current Limiting Main Circuit Breaker

### Non-Linear Loads

When a sinusoidal voltage is applied to a linear load, the resultant current waveform takes on the shape of a sine wave as well. Typical linear loads are resistive heating and induction motors.

In contrast, a non-linear load either:

- Draws current during only part of the cycle and acts as an open circuit for the balance of the cycle,
- or
- Changes the impedance during the cycle, hence the resultant waveform is distorted and no longer conforms to a pure sine wave shape

In recent years, the use of electronic equipment has mushroomed in both offices and industrial plants. These electronic devices are powered by switching power supplies or some type of rectifier circuit. Examples of these devices used in offices are: computers, fax machines, copiers, printers, cash registers, UPS systems, and solid-state ballasts. In industrial plants, one will find other electronic devices such as variable speed drives, HID lighting, solid-state starters and solid-state instruments. They all contribute to the distortion of the current waveform and the generation of harmonics. As the use of electronic equipment increases and it makes up a larger portion of the electrical load, many concerns are raised about its impact on the electrical power supply system.

### Harmonics

As defined by ANSI / IEEE Std. 519-1992, harmonic components are represented by a periodic wave or quantity having a frequency that is an integral multiple of the fundamental frequency. Harmonics are voltages or currents at frequencies that are integer multiples of the fundamental (60 Hz) frequency: 120 Hz, 180 Hz, 240 Hz, 300 Hz, etc. Harmonics are designated by their harmonic number, or multiple of the fundamental frequency. Thus, a harmonic with a frequency of 180 Hz (three times the 60 Hz fundamental frequency) is called the 3rd harmonic.

Harmonics superimpose themselves on the fundamental waveform, distorting it and changing its magnitude. For instance, when a sine wave voltage source is applied to a non-linear load connected from a phase-leg to neutral on a 3-phase, 4-wire branch circuit, the load itself will draw a current wave made up of the 60 Hz fundamental frequency of the voltage source, plus 3rd and higher order odd harmonic (multiples of the 60 Hz fundamental frequency), which are all

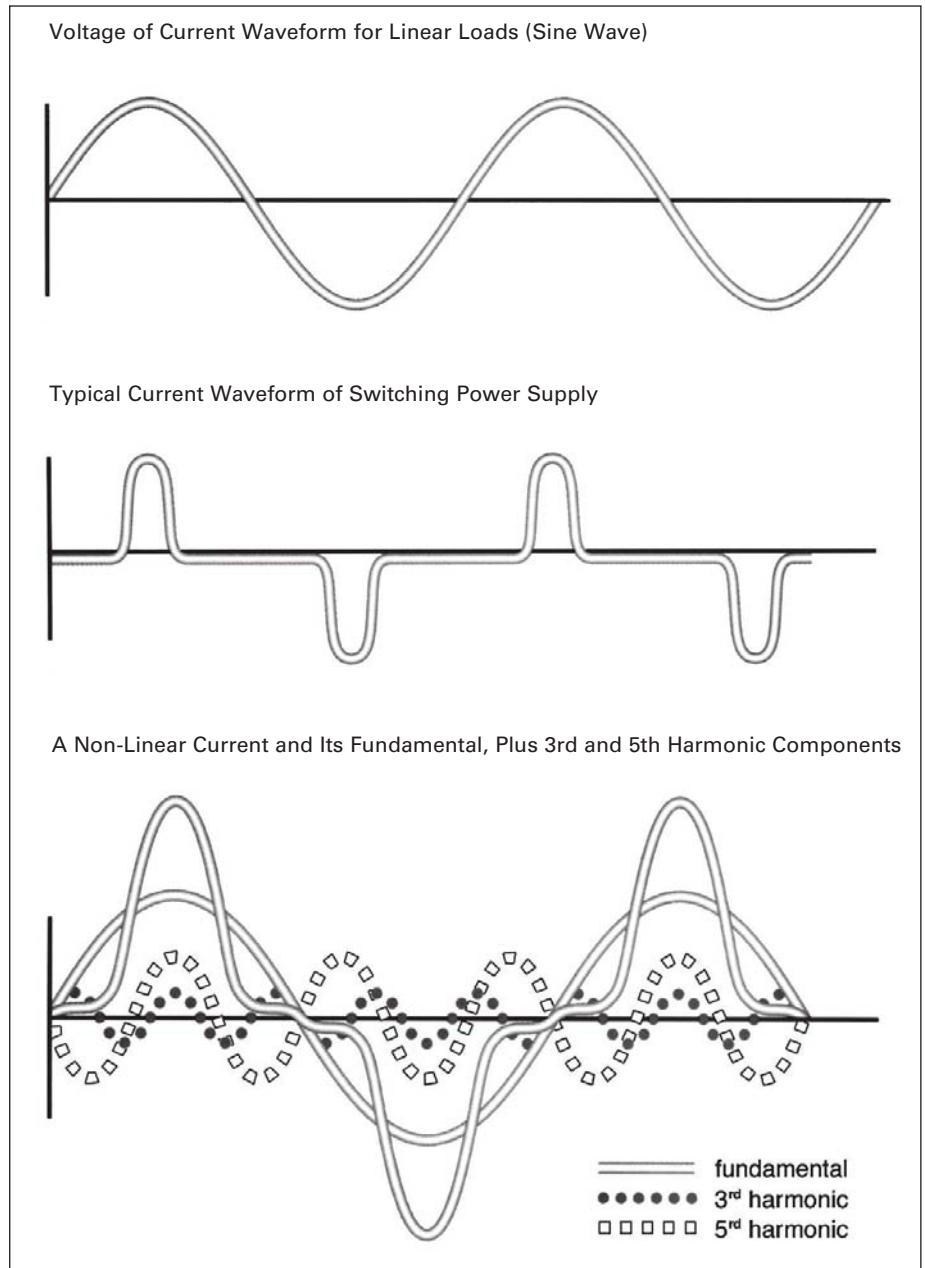


Figure 30 — Effect of Harmonics on Current Waveform

generated by the non-linear load. Total Harmonic Distortion (THD) is calculated as the square root of the sum of the squares of all harmonics divided by the normal 60 Hz value.

$$THD = \sqrt{\frac{\left(\frac{I_{RMS}}{60 \text{ Hz}}\right)^2 + \left(\frac{I_{RMS}}{180 \text{ Hz}}\right)^2 + \left(\frac{I_{RMS}}{N}\right)^2}{\left(\frac{I_{RMS}}{60 \text{ Hz}}\right)^2}}$$

This yields an RMS value of distortion as a percentage of the fundamental 60 Hz waveform.

Therefore, it is the percentage amount of odd harmonics (3rd, 5th, 7th, ..., 25th, ...) present in the load which can affect the transformer, and this condition is called a "Non-Linear Load" or "Non-Sinusoidal Load". To determine what amount of harmonic content is present, a K-Factor calculation is made instead of using the THD formula. The total amount of harmonics will determine the percentage of non-linear load, which can be specified with the appropriate K-Factor rating.

### Typical Symptoms of Harmonic Problems

- Distribution / lighting transformers overheating even when measured load current is within transformer rating
- Neutral cable / bus overheating even with balanced load
- Fuses blowing and circuit breakers tripping at currents within rating

### Effect Of Harmonics On Transformers

Non-sinusoidal current generates extra losses and heating of transformer coils thus reducing efficiency and shortening the life expectancy of the transformer. Coil losses increase with the higher harmonic frequencies due to higher eddy current loss in the conductors.

Furthermore, on a balanced linear power system, the phase currents are 120 degrees out of phase and offset one another in the neutral conductor. But with the "Triplen" harmonics (multiple of 3) the phase currents are in phase and they are additive in this neutral conductor. This may cause installations with non-linear loads to double either the size or number of neutral conductors.

### Measurement of Harmonics

**Table A.3 K-Factor Ratings**

Type	Linear Load	Non-Linear Load	Total K-Factor Load Value
<b>K4</b>	100%	50%	4.0
<b>K13</b>	100%	100%	13.0
<b>K20</b>	100%	125%	20.0
<b>K30</b>	100%	150%	30.0

For existing installations, the extent of the harmonics can be measured with appropriate instruments commonly referred to as "Power Harmonic Analyzers". This service is offered by many consulting service organizations. For new construction, such information may not be obtainable. For such situations, it is best to assume the worse case condition based on experience with the type and mix of loads.

### Sizing Transformers for Non-Linear Loads

ANSI / IEEE C57.110-2008 has a procedure for de-rating standard distribution transformers for non-linear loading. However this is not the only approach. A transformer with the appropriate K-Factor specifically designed for non-linear loads can be specified.

### K-Factors

K-Factor is a ratio between the additional losses due to harmonics and the eddy losses at 60 Hz. It is used to specify transformers for non-linear loads. Note that K-Factor transformers do not eliminate harmonic distortion; they withstand the non-linear load condition without overheating.

### Calculating K-Factor Loads

1. List the kVA value for each load category to be supplied. Next, assign a K-factor designation that corresponds to the relative level of harmonics drawn by each type of load. Refer to Table A.4.

2. Multiply the kVA of each load or load category times the Index of Load K-rating ( $I_{LK}$ ) that corresponds to the assigned K-factor rating. This result is an indexed  $kVA \cdot I_{LK}$  value.  
 $kVA \times I_{LK} = kVA \cdot I_{LK}$ .
3. Tabulate the total connected load kVA for all load categories to be supplied.
4. Next, add-up the  $kVA \cdot I_{LK}$  values for all loads or load categories to be supplied by the transformer.
5. Divide the grand total  $kVA \cdot I_{LK}$  value by the total kVA load to be supplied. This will give an average  $I_{LK}$  for that combination of loads. Total  $kVA \cdot I_{LK} /$  Total kVA = average  $I_{LK}$ .
6. From Table A.4 find the K-factor rating whose  $I_{LK}$  is equal to or greater than the calculated  $I_{LK}$ .

**Table A.4 Estimating K-Factor Loads<sup>①</sup>**

Description	K-Factor	$I_{LK}$
Incandescent Lighting Electric Resistance Heating Motors (without solid state drives) Control Transformers / Electromagnetic Control Devices Motor-Generators (without solid state drives) Standard Distribution Transformers	K1	0.00
Electric Discharge Lighting (HID) UPS with Optional Input Filter Welders Induction Heating Equipment PLCs and Solid State Controls	K4	25.82
Telecommunications Equipment (PBX) UPS without Input Filtering Multiwire Receptacle Circuits in General Care Areas of Health Care Facilities, Schools, etc. Multiwire Receptacle Circuits Supplying Testing Equipment on an Assembly Line	K13	57.74
Main-Frame Computer Loads Solid State Motor Drives (variable speed drives) Multiwire Receptacle Circuits in Critical Care Areas in Hospitals	K20	80.94
Multiwire Receptacle Circuits in Industrial, Medical and Educational Laboratories Multiwire Receptacle Circuits in Commercial Office Spaces Small Main-Frames (mini and micro)	K30	123.54

<sup>①</sup> Typical loads and K-Factor values for estimating purposes only.

Table 1A

**Motor Full-Load Currents of Three Phase AC Induction Type Motors<sup>①</sup>**

Motor Rating Horsepower	Current in Amperes			
	208V	230V	460V	575V
1/4	1.11	.96	.48	.38
1/3	1.34	1.18	.59	.47
1/2	2.4	2.2	1.1	.9
3/4	3.5	3.2	1.6	1.3
1	4.6	4.2	2.1	1.7
1 1/2	6.6	6	3	2.4
2	7.5	6.8	3.4	2.7
3	10.6	9.6	4.8	3.9
5	16.7	15.2	7.6	6.1
7 1/2	24.2	22.0	11.0	9.0
10	30.8	28.0	14.0	11.0
15	46.2	42.0	21.0	17.0
20	59.4	54	27	22
25	74.8	68	34	27
30	88	80	40	32
40	114	104	52	41
50	143	130	65	52
60	169	154	77	62
75	211	192	96	77
100	273	248	124	99
125	343	312	156	125
150	396	360	180	144
200	528	480	240	192
250	—	—	302	242
300	—	—	361	289
350	—	—	414	336
400	—	—	477	382
450	—	—	515	412
500	—	—	590	472

Table 1B

**Motor Full-Load Currents In Amperes, Single-Phase, AC**

Horsepower	115V	230V
1/6	4.4	2.2
1/4	5.8	2.9
1/3	7.2	3.6
1/2	9.8	4.9
1/3	13.8	6.9
1	16	8
1 1/2	20	10
2	24	12
3	34	17
5	56	28
7 1/2	80	40
10	100	50

Table 1C

**Motor Full-Load Currents In Amperes, DC**

Horsepower	120V	240V
1/4	3.1	1.6
1/3	4.1	2.0
1/2	5.4	2.7
3/4	7.6	3.8
1	9.5	4.7
1 1/2	13.2	6.6
2	17	8.5
3	25	12.2
5	40	20
7 1/2	58	29
10	76	38

Table 2

**Electrical Formulas for Finding Amperes, Horsepower, Kilowatts and kVA**

To Find	Single-Phase	Alternating Current Two-Phase, Four-Wire	Three-Phase	Direct Current
Kilowatts	$\frac{I \times E \times pf}{1000}$	$\frac{I \times E \times 2 \times pf}{1000}$	$\frac{I \times E \times 1.73 \times pf}{1000}$	$\frac{I \times E}{1000}$
kVA	$\frac{I \times E}{1000}$	$\frac{I \times E \times 2}{1000}$	$\frac{I \times E \times 1.73}{1000}$	—
Horsepower (Output)	$\frac{I \times E \times \% EFF \times pf}{746}$	$\frac{I \times E \times 2 \times \% EFF \times pf}{746}$	$\frac{I \times E \times 1.73 \times \% EFF \times pf}{746}$	$\frac{I \times E \times \% EFF}{746}$
Amperes when Horsepower is Known	$\frac{HP \times 746}{E \times \% EFF \times pf}$	$\frac{HP \times 746}{2 \times E \times \% EFF \times pf}$	$\frac{HP \times 746}{1.73 \times E \times \% EFF \times pf}$	$\frac{HP \times 746}{E \times \% EFF}$
Amperes when Kilowatts is Known	$\frac{KW \times 1000}{E \times pf}$	$\frac{KW \times 1000}{2 \times E \times pf}$	$\frac{KW \times 1000}{1.73 \times E \times pf}$	$\frac{KW \times 1000}{E}$
Amperes when kVA is Known	$\frac{kVA \times 1000}{E}$	$\frac{kVA \times 1000}{2 \times E}$	$\frac{kVA \times 1000}{1.73 \times E}$	—

**Average Efficiency and Power Factor Values of Motors**

When the actual efficiencies and power factors of the motors to be controlled are not known, the following approximations may be used.

Efficiencies:

- DC motors, 35 horsepower and less 80% to 85%
- DC motors, above 35 horsepower 85% to 90%
- Synchronous motors (at 100% power factor) 92% to 95%
- "Apparent" Efficiencies (= Efficiency x Power Factor);
- Three-phase induction motors, 25 horsepower and less 85%
- Three-phase induction motors above 25 horsepower 90%

These figures may be decreased slightly for single-phase and two-phase induction motors.

**Fault-Current Calculation on Low-Voltage AC Systems**

In order to determine the maximum interrupting ratings of the circuit breakers in a distribution system it is necessary to calculate the current which could flow under a three-phase bolted short circuit condition. For a three-phase system the maximum available fault current at the secondary side of the transformer can be obtained by use of the formula:

$$I_{sc} = \frac{kVA \times 100}{KV \times \sqrt{3} \times \% Z}$$

where:

- $I_{sc}$  = Symmetrical RMS amperes of fault current.
- kVA = Kilovolt-ampere rating of transformers.
- KV = Secondary voltage in kilovolts.
- % Z = Percent impedance of primary line and transformer.

Table 5 on page 15-4 has been prepared to list the symmetrical RMS fault current which is available at the secondary terminals of the transformer.

E = Volts I = Amperes  
% EFF = Per Cent Efficiency  
pf = Power Factor

①Values may vary depending on manufacturer, type of motor and NEMA design.  
For full load currents of 200 volt motors, increase the corresponding 230 volt motor full-load current by 15 percent.

# Fraction, Decimal and Millimeter Equivalents

## Fractions to Decimals to Millimeters

Fractions	Decimals	Millimeters
1/64	0.015625	0.397
1/32	0.03125	0.794
3/64	0.046875	1.191
1/16	0.0625	1.588
5/64	0.078125	1.984
3/32	0.09375	2.381
7/64	0.109375	2.778
1/8	0.1250	3.175
9/64	0.140625	3.572
5/32	0.15625	3.969
11/64	0.171875	4.366
3/16	0.1875	4.763
13/64	0.203125	5.159
7/32	0.21875	5.556
15/64	0.234375	5.953
1/4	0.2500	6.350
17/64	0.265625	6.747
9/32	0.28125	7.144
19/64	0.296875	7.541
5/16	0.3125	7.938
21/64	0.328125	8.334
11/32	0.34375	8.731
23/64	0.359375	9.128
3/8	0.3750	9.525
25/64	0.390625	9.922
13/32	0.40625	10.319
27/64	0.421875	10.716
7/16	0.4375	11.113
29/64	0.453125	11.509
15/32	0.46875	11.906
31/64	0.484375	12.303
1/2	0.500	12.700
33/64	0.515625	13.097
17/32	0.53125	13.494
35/64	0.546875	13.891
9/16	0.5625	14.288
37/64	0.578125	14.684
19/32	0.59375	15.081
39/64	0.609375	15.478
5/8	0.6250	15.875
41/64	0.640625	16.272
21/32	0.65625	16.669
43/64	0.671875	17.066
11/16	0.6875	17.463
45/64	0.703125	17.859
23/32	0.71875	18.256
47/64	0.734375	18.653
3/4	0.7500	19.050
49/64	0.765625	19.447
25/32	0.78125	19.844
51/64	0.796875	20.241
13/16	0.8125	20.638
53/64	0.828125	21.034
27/32	0.84375	21.431
55/64	0.859375	21.828
7/8	0.8750	22.225
57/64	0.890625	22.622
29/32	0.90625	23.019
59/64	0.921875	23.416
15/16	0.9375	23.813
61/64	0.953125	24.209
31/32	0.96875	24.606
63/64	0.984375	25.003
1	1.000	25.400

## Millimeters to Inches<sup>①</sup>

Millimeters	Inches	Millimeters	Inches
0.1	0.0039	46	1.8110
0.2	0.0079	47	1.8504
0.3	0.0118	48	1.8898
0.4	0.0157	49	1.9291
0.5	0.0197	50	1.9685
0.6	0.0236	51	2.0079
0.7	0.0276	52	2.0472
0.8	0.0315	53	2.0866
0.9	0.0354	54	2.1260
		55	2.1654
1	0.0394	56	2.2047
2	0.0787	57	2.2441
3	0.1181	58	2.2835
4	0.1575	59	2.3228
5	0.1969	60	2.3622
6	0.2362	61	2.4016
7	0.2756	62	2.4409
8	0.3150	63	2.4803
9	0.3543	64	2.5197
10	0.3937	65	2.5591
11	0.4331	66	2.5984
12	0.4724	67	2.6378
13	0.5118	68	2.6772
14	0.5512	69	2.7165
15	0.5906	70	2.7559
16	0.6299	71	2.7953
17	0.6693	72	2.8346
18	0.7087	73	2.8740
19	0.7480	74	2.9134
20	0.7874	75	2.9528
21	0.8268	76	2.9921
22	0.8661	77	3.0315
23	0.9055	78	3.0709
24	0.9449	79	3.1102
25	0.9843	80	3.1496
26	1.0236	81	3.1890
27	1.0630	82	3.2283
28	1.1024	83	3.2677
29	1.1417	84	3.3071
30	1.1811	85	3.3465
31	1.2205	86	3.3858
32	1.2598	87	3.4252
33	1.2992	88	3.4646
34	1.3386	89	3.5039
35	1.3780	90	3.5433
36	1.4173	91	3.5827
37	1.4567	92	3.6220
38	1.4961	93	3.6614
39	1.5354	94	3.7008
40	1.5748	95	3.7402
41	1.6142	96	3.7795
42	1.6535	97	3.8189
43	1.6929	98	3.8583
44	1.7323	99	3.8976
45	1.7717	100	3.9370

①0.001" = 0.0254 mm  
1 mm = 0.03937"

Note: Please consult with local regulations.

**Siemens Canada Limited**  
Low Voltage & Products  
1577 North Service Road East  
Oakville, ON L6H 0H6  
**Customer Interaction Centre**  
(888) 303-3353  
cic.ca@siemens.com

All product designations may be trademarks or product names of Siemens AG or supplier companies whose use by third parties for their own purposes could violate the rights of the owners.

Subject to change without prior notice.

Printed in Canada.  
©2019 Siemens Canada Limited  
Order No.: SI-LP-1643

**[siemens.ca/powercat](https://www.siemens.ca/powercat)**