

# Medium-voltage air-insulated switchgear



## GM38, non-arc-resistant, 38 kV, up to 40 kA drawout, metal-clad

### Features and benefits:

- One-high construction
- Up to 50 full-fault interruptions
- Universal spare circuit breaker
- Closed door racking
- Interlocks permit insertion of higher rated vacuum circuit breaker into lower rated cell but not vice versa
- Front accessible circuit breaker operating mechanism for ease of maintenance
- Floor rollout circuit breaker in lower cell without a dolly
- Visible secondary disconnect
- Pair with Siemens protective relays to match any typical application
- Horizontal drawout type 38-3AH3 vacuum circuit breaker with type 3AH3 operating mechanism
- Uses the latest developments in vacuum interrupter technology
- Highly reliable vacuum interrupters - MTTF over 50,000 years
- Common type 3AH3 operator platform for all ratings
- Over 120,000 type 3AH3 operators produced since 1998
- 10,000 operations to overhaul
- Three-cycle interrupting time (optional)
- SIERS integrated electrical-racking system available (optional)
- Optional Sm@rtGear™ functionality provides predictive diagnostics, continuous monitoring, and control from a remote location
- Meets or exceeds the latest ANSI, IEEE and NEMA standards
- UL Listing for 40 kA available.

### Type GM38 switchgear available as:

- Indoor (type GM38)
- Outdoor, walk-in, Shelter-Clad NEMA 3R (type SGM38)
  - Single aisle
  - Common aisle
- Outdoor, aisleless, non-walk-in (type OGM38).

Type 38-3AH3 circuit breaker ratings constant kA basis - ANSI/IEEE C37.06-2009

Maximum design voltage kV	Rated interrupting rating kA	Maximum interrupting and short time kA	Voltage range factor	Continuous current <sup>1</sup> A rms	Withstand voltage levels		Closing and latching (momentary)	
					Power frequency kV rms	Lightning Impulse (BIL) kV peak	Asymmetrical (1.55 x I) kA rms	Peak (2.6 x I) kA peak
38.0	31.5	31.5	1.0	1,200, 2,000, 3,000	80	150	49	82
38.0	40	40	1.0	1,200, 2,000, 3,000	80	150	62	104

Dimensions in inches (mm)<sup>3</sup>

Type	Height (H)	Width (W)	Depth (D)	Drawout aisle (DA) <sup>4,5</sup>
GM38 <sup>2</sup>	110.0 (2,794)	48.0 (1,219)	130.0 (3,302)	96.0 (2,438) recommended
SGM38 single aisle	132.5 (3,366)	48.0 (1,219)	234.5 (5,956)	96.0 (2,438) included
SGM38 common aisle	132.5 (3,366)	48.0 (1,219)	363.8 (9,239)	96.0 (2,438) included
OGM38 non-walk-in aisleless	48.0 (1,219)	48.0 (1,219)	139.4 (3,539)	96.0 (2,438) recommended

Footnotes:

<sup>1</sup> 3,000 A circuit breaker together with a modified switchgear structure incorporating fan-cooling equipment. 3,000 A is not available in outdoor equipment.

<sup>2</sup> Add 6" (152 mm) to each end of lineup for aisle extension 12" (305 mm) total.

<sup>3</sup> Add for roof and enclosure overhang:

Rear (cable side):

■ Non-walk-in: 3.9" (98 mm)

■ Shelter-Clad 3.9" (98 mm).

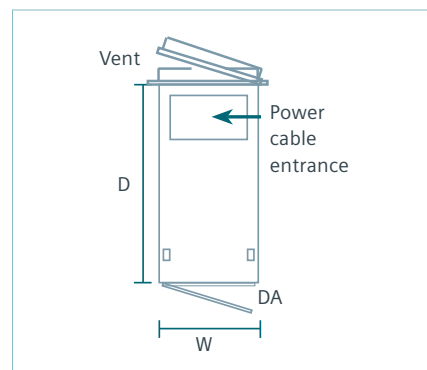
Front (drawout side):

■ Non-walk-in: 6.9" (175 mm)

■ Shelter-Clad 1.5" (38 mm).

<sup>4</sup> If indoor switchgear is installed on a raised housekeeping pad, the pad must not extend further than 3" (75 mm) from the front of the switchgear to avoid interference with the use of the portable lift truck.

<sup>5</sup> 96.0" (2,438 mm) aisle space recommended and allows room for interchange of circuit breakers. Minimum aisle space required for handling circuit breakers with lift truck is 80" (2,030 mm).



Published by Siemens Industry, Inc. 2018.

Siemens Industry, Inc.  
7000 Siemens Road  
Wendell, North Carolina 27591

For more information, including service and parts, please contact our Customer Support Center.  
Phone: +1 (800) 333-7421

[www.usa.siemens.com/mvswitchgear](http://www.usa.siemens.com/mvswitchgear)

Article No. E50001-F710-A143-V2-4A00

Printed in U.S.A.

© 2018 Siemens Industry, Inc.

The technical data presented in this document is based on an actual case or on as-designed parameters, and therefore should not be relied upon for any specific application and does not constitute a performance guarantee for any projects. Actual results are dependent on variable conditions. Accordingly, Siemens does not make representations, warranties, or assurances as to the accuracy, currency or completeness of the content contained herein. If requested, we will provide specific technical data or specifications with respect to any customer's particular applications. Our company is constantly involved in engineering and development. For that reason, we reserve the right to modify, at any time, the technology and product specifications contained herein.