



SIEMENS
Ingenuity for life

Take a SIRIUS approach to starters

SIRIUS
innovations
inside!

All-in-one Gold, Silver and Bronze packages

Siemens SIRIUS pre-assembled starter packages are the simple way to order starters. All features of the SIRIUS line are incorporated into three starters:

Gold

- 50VA 600/120V control transformer
- 3 pos. selector switch H.O.A.
- Pilot light 120V red

Silver

- 50VA 600/120V control transformer
- Start/Stop pushbuttons
- Pilot light 120V red

Bronze

- No control transformer
- No pilot devices

SIRIUS – Gold, Silver and Bronze starter packages offer the following standard features:

- 15HP, 600V max
- Standard 1 NO contact up to 10hp
1 NO + 1 NC contacts on 15hp
- Ambient 60°C on contactors
- Fast and simple three-prong overload/contactor connection: no coil extension required
- Standard primary and secondary fusing on control transformers
- Standard plastic SIRIUS ACT 22mm control devices

Siemens modular line of motor control products exceed international standards and are built to serve global markets. Here's why choosing a package is the smarter way to select a starter:

Saves time

No more lengthy navigation through product catalogues! Gold, Silver and Bronze starters offer an easy two-step approach to selecting your starter:

1. Select the starter based on horsepower and line voltage.
2. Select the appropriate overload relay.

Then it's ready to install. All this convenience is now available right from your distributor's shelves.

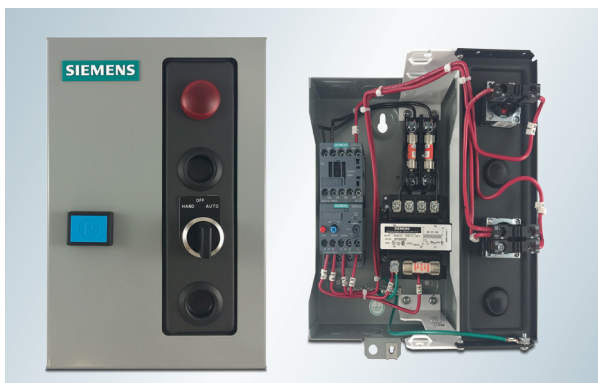
Saves money

Siemens pre-assembled Gold, Silver and Bronze starter packages exceed the industry standard for quality and reliability, while staying competitively priced.

Saves hassle

Ease of selection, off-the-shelf availability and competitive pricing make the Gold, Silver and Bronze starter packages the ideal solution. For serious performance and serious convenience, take a SIRIUS approach to starters.

siemens.ca/industrialcontrols



Starter package selection EEMAC Type 1 enclosed

Catalogue number	Pilot devices	Control transformer w/primary and secondary fuses	CSA maximum HP rating				Contactor reference number	Enclosure reference number
			3-phase					
			208V	240V	480V	600V		
GOLD3R-5-600	3 pos. selector switch and pilot light	Included 120V sec.	1½	2	3	5	15	V0
GOLD3R-3-480								
GOLD3R-2-240								
GOLD3R-1.5-208								
GOLD3R-7.5-600	3 pos. selector switch and pilot light	Included 120V sec.	2	3	5	7½	16	V0
GOLD3R-5-480								
GOLD3R-3-240								
GOLD3R-2-208								
GOLD3R-10-600	3 pos. selector switch and pilot light	Included 120V sec.	3	3	7½	10	17	V0
GOLD3R-7.5-480								
GOLD3R-3-240								
GOLD3R-3-208								
GOLD3R-15-600	3 pos. selector switch and pilot light	Included 120V sec.	5	5	10	15	25	V1
GOLD3R-10-480								
GOLD3R-5-240								
GOLD3R-5-208								
SILVER3R-5-600	Start/Stop pushbuttons and pilot light	Included 120V sec.	1½	2	3	5	15	V0
SILVER3R-3-480								
SILVER3R-2-240								
SILVER3R-1.5-208								
SILVER3R-7.5-600	Start/Stop pushbuttons and pilot light	Included 120V sec.	2	3	5	7½	16	V0
SILVER3R-5-480								
SILVER3R-3-240								
SILVER3R-2-208								
SILVER3R-10-600	Start/Stop pushbuttons and pilot light	Included 120V sec.	3	3	7½	10	17	V0
SILVER3R-7.5-480								
SILVER3R-3-240								
SILVER3R-3-208								
SILVER3R-15-600	Start/Stop pushbuttons and pilot light	Included 120V sec.	5	5	10	15	25	V1
SILVER3R-10-480								
SILVER3R-5-240								
SILVER3R-5-208								
BRONZE3R-5-600	None	None	1½	2	3	5	15	V0
BRONZE3R-7.5-600	None	None	2	3	5	7½	16	V0
BRONZE3R-10-600	None	None	3	3	7½	10	17	V0
BRONZE3R-15-600	None	None	5	5	10	15	25	V1

Gold, Silver and Bronze enclosure dimensions EEMAC Type 1

Enclosure reference number	Width	Height	Depth	Mounting holes		
	A (mm/in.)	B (mm/in.)	C (mm/in.)	D (mm/in.)	E (mm/in.)	G (mm/in.)
V0	161.70/6.37	244.70/9.64	146.00/5.75	110.30/4.34	177.00/6.97	24.40/0.96
V1	241.50/9.51	320.90/12.64	178.30/7.02	187.30/7.38	268.10/10.55	24.00/0.95

Control circuit field modification kits

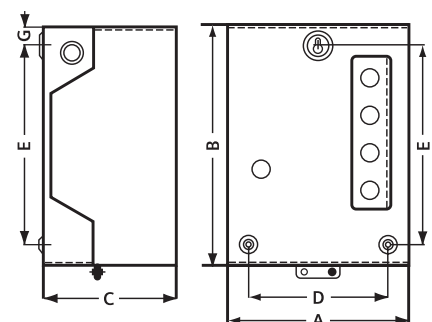
Pilot device – SIGNUM metal 22mm devices			
Pushbuttons	Legend plates		Catalogue number
	English	French	
2- pushbuttons momentary, 1 red extended, 1 green flush, 1 NC, 1 NO	STOP START	ARRÊT MARCHE	VFMK50
Selector switches			
2- position maintained, black lever, 1 NO	ON OFF	EN CIRCUIT ARRÊT	VFMK00
3 position maintained, black lever, 2x1 NO	HAND OFF AUTO	MAN ARRÊT AUTO	VFMK00
Pilot lights			
Full voltage 120V incandescent c/w 2 lenses red and green	None		VFMK01

Overload relay selection chart for Gold, Silver and Bronze packages

FLA adjustment range (Amps)	15/16/17	25/26
	Overload catalogue number	
0.11–0.16	3RU2116-0AB0	
0.14–0.2	3RU2116-0BB0	
0.18–0.25	3RU2116-0CB0	
0.22–0.32	3RU2116-0DB0	
0.28–0.4	3RU2116-0EB0	
0.35–0.5	3RU2116-0FB0	
0.45–0.63	3RU2116-0GB0	
0.55–0.8	3RU2116-0HB0	
0.7–1.0	3RU2116-0JB0	
0.9–1.25	3RU2116-0KB0	
1.1–1.6	3RU2116-1AB0	
1.4–2.0	3RU2116-1BB0	
1.8–2.5	3RU2116-1CB0	3RU2126-1CB0
2.2–3.2	3RU2116-1DB0	3RU2126-1DB0
2.8–4.0	3RU2116-1EB0	3RU2126-1EB0
3.5–5.0	3RU2116-1FB0	3RU2126-1FB0
4.5–6.3	3RU2116-1GB0	3RU2126-1GB0
5.5–8.0	3RU2116-1HB0	3RU2126-1HB0
7.0–10	3RU2116-1JB0	3RU2126-1JB0
9.0–12.5	3RU2116-1KB0	3RU2126-1KB0
11–16	–	3RU2126-4AB0

Control circuit transformers c/w 2 primary and 1 secondary fuse

Rating at 50/60 Hz VA	Primary/secondary voltage	Catalogue number
50	208/120	VFMKT2050
	240/120	VFMKT4050
	480/120	VFMKT4050
	600/120	VFMKT6050



Siemens Canada Limited
1577 North Service Road East
Oakville, ON L6H0H6

Document no. CP-0021-0317
Subject to change without prior notice
Printed in Canada
© Siemens Canada 2018