



## Belt Weighing

### Accessories

#### Test chain storage reel

#### Selection and ordering data

##### Test chain storage reels

Test chain storage reels are used to store roller test chains.

56 inch (1 422 mm)
57 inch (1 448 mm)
58 inch (1 473 mm)
59 inch (1 499 mm)
60 inch (1 524 mm)
61 inch (1 549 mm)
62 inch (1 575 mm)
63 inch (1 600 mm)
64 inch (1 626 mm)
65 inch (1 651 mm)
66 inch (1 676 mm)
67 inch (1 702 mm)
68 inch (1 727 mm)
69 inch (1 753 mm)
70 inch (1 778 mm)
71 inch (1 803 mm)
72 inch (1 829 mm)
73 inch (1 854 mm)
74 inch (1 880 mm)
75 inch (1 905 mm)
76 inch (1 930 mm)
77 inch (1 956 mm)
78 inch (1 981 mm)
79 inch (2 007 mm)
80 inch (2 032 mm)
81 inch (2 057 mm)
82 inch (2 083 mm)
83 inch (2 108 mm)
84 inch (2 134 mm)
85 inch (2 159 mm)
86 inch (2 184 mm)
87 inch (2 210 mm)
88 inch (2 235 mm)
89 inch (2 261 mm)
90 inch (2 286 mm)
91 inch (2 311 mm)
92 inch (2 337 mm)
93 inch (2 362 mm)
94 inch (2 388 mm)
95 inch (2 413 mm)
96 inch (2 438 mm)
97 inch (2 464 mm)
98 inch (2 489 mm)
99 inch (2 515 mm)
100 inch (2 540 mm)
101 inch (2 565 mm)
102 inch (2 591 mm)
103 inch (2 616 mm)
104 inch (2 642 mm)
105 inch (2 667 mm)

#### Article No.

##### 7MH7163-

■ ■ ■ ■ ■ - ■ ■ ■ ■ ■
<b>B L</b>
<b>B M</b>
<b>B N</b>
<b>B P</b>
<b>B Q</b>
<b>B R</b>
<b>B S</b>
<b>B T</b>
<b>B U</b>
<b>B V</b>
<b>B W</b>
<b>C A</b>
<b>C B</b>
<b>C C</b>
<b>C D</b>
<b>C E</b>
<b>C F</b>
<b>C G</b>
<b>C H</b>
<b>C J</b>
<b>C K</b>
<b>C L</b>
<b>C M</b>
<b>C N</b>
<b>C P</b>
<b>C Q</b>
<b>C R</b>
<b>C S</b>
<b>C T</b>
<b>C U</b>
<b>C V</b>
<b>C W</b>
<b>D A</b>
<b>D B</b>
<b>D C</b>
<b>D D</b>
<b>D E</b>
<b>D F</b>
<b>D G</b>
<b>D H</b>
<b>D J</b>
<b>D K</b>
<b>D L</b>
<b>D M</b>
<b>D N</b>
<b>D P</b>
<b>D Q</b>
<b>D R</b>
<b>D S</b>
<b>D T</b>

##### Test chain storage reels

Test chain storage reels are used to store roller test chains.

##### 3 Phase motor voltage

230/460 V 60 Hz
200/400 V 50 Hz
575 V 60 Hz

##### Reel type

Single compartment for 1 calibration test chain
Double compartment for 2 calibration test chains

##### Reel diameter/motor mount location

36 inch (914 mm) / right hand access
42 inch (1 067 mm) / right hand access
48 inch (1 219 mm) / right hand access
60 inch (1 372 mm) / right hand access
36 inch (914 mm) / left hand access
42 inch (1 067 mm) / left hand access
48 inch (1 219 mm) / left hand access
60 inch (1 372 mm) / left hand access

##### Motor power

0.75 HP (0.56 kW)
1 HP (0.75 kW)
1.5 HP (1.12 kW)
2 HP (1.5 kW)
3 HP (2.24 kW)
5 HP (3.73 kW)
7.5 HP (5.59 kW)
10 HP (7.5 kW)
15 HP (11.19 kW)
20 HP (14.91 kW)

##### Operating instructions

All literature is available to download for free, in a range of languages, at <https://www.siemens.com/weighing/documentation>

##### Accessories

Local operator station: forward, reverse, e-stop, off/on

Note: motor starter and voltage transformer required for use with controller, 120 V AC required for controller

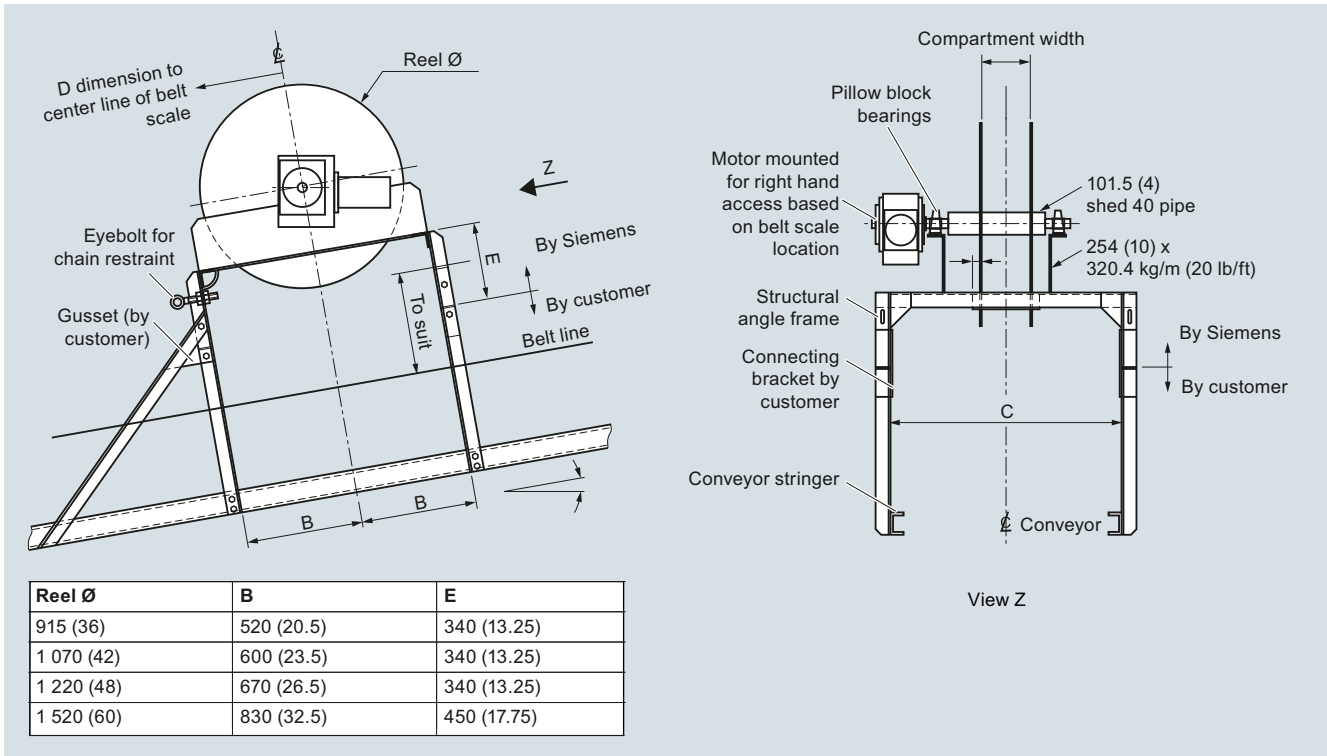
#### Article No.

##### 7MH7163-

■ ■ ■ ■ ■ - ■ ■ ■ ■ ■
<b>1</b>
<b>2</b>
<b>3</b>
<b>0</b>
<b>1</b>
<b>0</b>
<b>1</b>
<b>2</b>
<b>3</b>
<b>4</b>
<b>5</b>
<b>6</b>
<b>7</b>
<b>A</b>
<b>B</b>
<b>C</b>
<b>D</b>
<b>E</b>
<b>F</b>
<b>G</b>
<b>H</b>
<b>J</b>
<b>K</b>

**7MH723-1JY**

**Dimensional drawings**



Milltronics test chain storage reel, dimension in mm (inch)