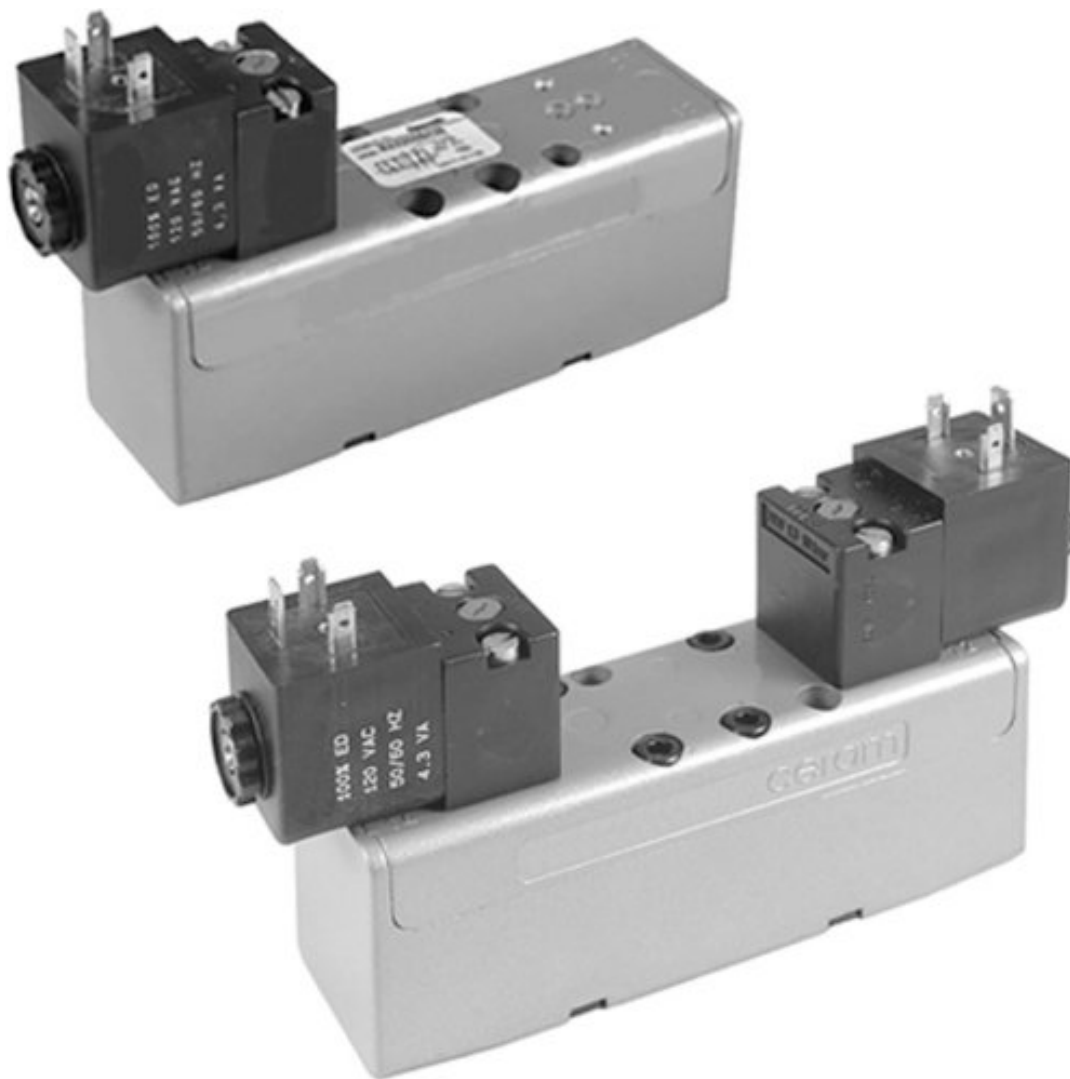


Series CERAM™, size 3



AVENTICS™ Series CERAM™, size 3







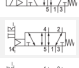
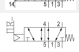

5/2-directional valve, Series CERAM™, size 3

- 5/2
- Qn = 4300 l/min
- Pilot valve width : 30 mm CNOMO
- Plate connection
- Electrical connection : Plug, EN 175301-803, form A
- Can be assembled into blocks
- Manual override : with detent, without detent
- single solenoid
- Pilot : Internal External



| | |
|------------------------------------|-----------------------------|
| Activation | Electrically |
| Sealing principle | Ceramic |
| Blocking principle | Single base plate principle |
| Standards | ISO 5599-1, ISO 3 |
| Working pressure min./max. | 2 ... 10.3 bar |
| Control pressure min./max. | See table below |
| Ambient temperature min./max. | -15 ... 66 °C |
| Medium temperature min./max. | -15 ... 66 °C |
| Medium | Compressed air |
| Nominal flow Qn | 4300 l/min |
| Compressed air connection | according to ISO 5599-1 |
| Protection class according to NEMA | NEMA 4 |
| Weight | 1.19 kg |

Technical data

| Part No. | | MO | Compressed air connection | | Operational voltage |
|------------|---|-------------------------|---------------------------|---------------|---------------------|
| | | | | Pilot Exhaust | DC |
| R432006242 |  | T-R-T-R-T-R-T-R-T-R-T-R | Base plate ISO 5599-1 | | 12 V |
| R432006243 |  | | Base plate ISO 5599-1 | | 24 V |
| R432030344 |  | | Base plate ISO 5599-1 | | - |
| R432006238 |  | | Base plate ISO 5599-1 | | - |
| R432006240 |  | | Base plate ISO 5599-1 | | - |
| R432002454 |  | | Base plate ISO 5599-1 | | - |
| R432002457 |  | | Base plate ISO 5599-1 | | - |

| Part No. | Operational voltage | | Voltage tolerance |
|------------|---------------------|----------|-------------------|
| | AC 50 Hz | AC 60 Hz | DC |
| R432006242 | - | - | -10% / +10% |
| R432006243 | - | - | -10% / +10% |
| R432030344 | 24 V | 24 V | - |
| R432006238 | 110 V | 120 V | - |
| R432006240 | 220 V | 240 V | - |
| R432002454 | - | - | - |
| R432002457 | - | - | - |

| Part No. | Voltage tolerance | Voltage tolerance | Power consumption | Holding power |
|------------|-------------------|-------------------|-------------------|---------------|
| | AC 50 Hz | AC 60 Hz | DC | AC 50 Hz |
| R432006242 | - | - | 2.7 W | - |
| R432006243 | - | - | 2.7 W | - |
| R432030344 | -10% / +10% | -10% / +10% | - | 3.7 VA |
| R432006238 | -10% / +10% | -10% / +10% | - | 3.7 VA |
| R432006240 | -10% / +10% | -10% / +10% | - | 3.7 VA |
| R432002454 | - | - | - | - |
| R432002457 | - | - | - | - |

| Part No. | Holding power | Switch-on power | Switch-on power | Pilot | Control pressure min./max. |
|------------|---------------|-----------------|-----------------|----------|----------------------------|
| | AC 60 Hz | AC 50 Hz | AC 60 Hz | | |
| R432006242 | - | - | - | Internal | 2.5 ... 10.3 bar |
| R432006243 | - | - | - | Internal | 2.5 ... 10.3 bar |
| R432030344 | 3.7 VA | 6.4 VA | 6.4 VA | Internal | 2.5 ... 10.3 bar |
| R432006238 | 3.7 VA | 6.4 VA | 6.4 VA | Internal | 2.5 ... 10.3 bar |
| R432006240 | 3.7 VA | 6.4 VA | 6.4 VA | Internal | 2.5 ... 10.3 bar |
| R432002454 | - | - | - | External | -0.8 ... 10.3 bar |
| R432002457 | - | - | - | Internal | 2.5 ... 10.3 bar |

| Part No. | Valve plug connector | basic valve with electrical connector |
|------------|------------------------------|---------------------------------------|
| R432006242 | Without valve plug connector | - |
| R432006243 | Without valve plug connector | - |
| R432030344 | Without valve plug connector | - |
| R432006238 | Without valve plug connector | - |
| R432006240 | Without valve plug connector | - |

| Part No. | Valve plug connector | basic valve with electrical connector |
|------------|------------------------------|---------------------------------------|
| R432002454 | Without valve plug connector | Basic valve without pilot valve |
| R432002457 | Without valve plug connector | Basic valve without coil |

| Part No. | Mounting screw |
|------------|------------------------|
| R432006242 | M8 with hexagon socket |
| R432006243 | M8 with hexagon socket |
| R432030344 | M8 with hexagon socket |
| R432006238 | M8 with hexagon socket |
| R432006240 | M8 with hexagon socket |
| R432002454 | M5 with hexagon socket |
| R432002457 | M8 with hexagon socket |

Nominal flow Q_n at 6 bar and $\Delta p = 1$ bar

MO = Manual override

Technical information

The min. control pressure must be adhered to, since otherwise faulty switching and valve failure may result!

The pressure dew point must be at least 15 °C under ambient and medium temperature and may not exceed 3 °C .

The oil content of compressed air must remain constant during the life cycle.

Use only the approved oils from AVENTICS. Further information can be found in the "Technical information" document (available in the MediaCentre).

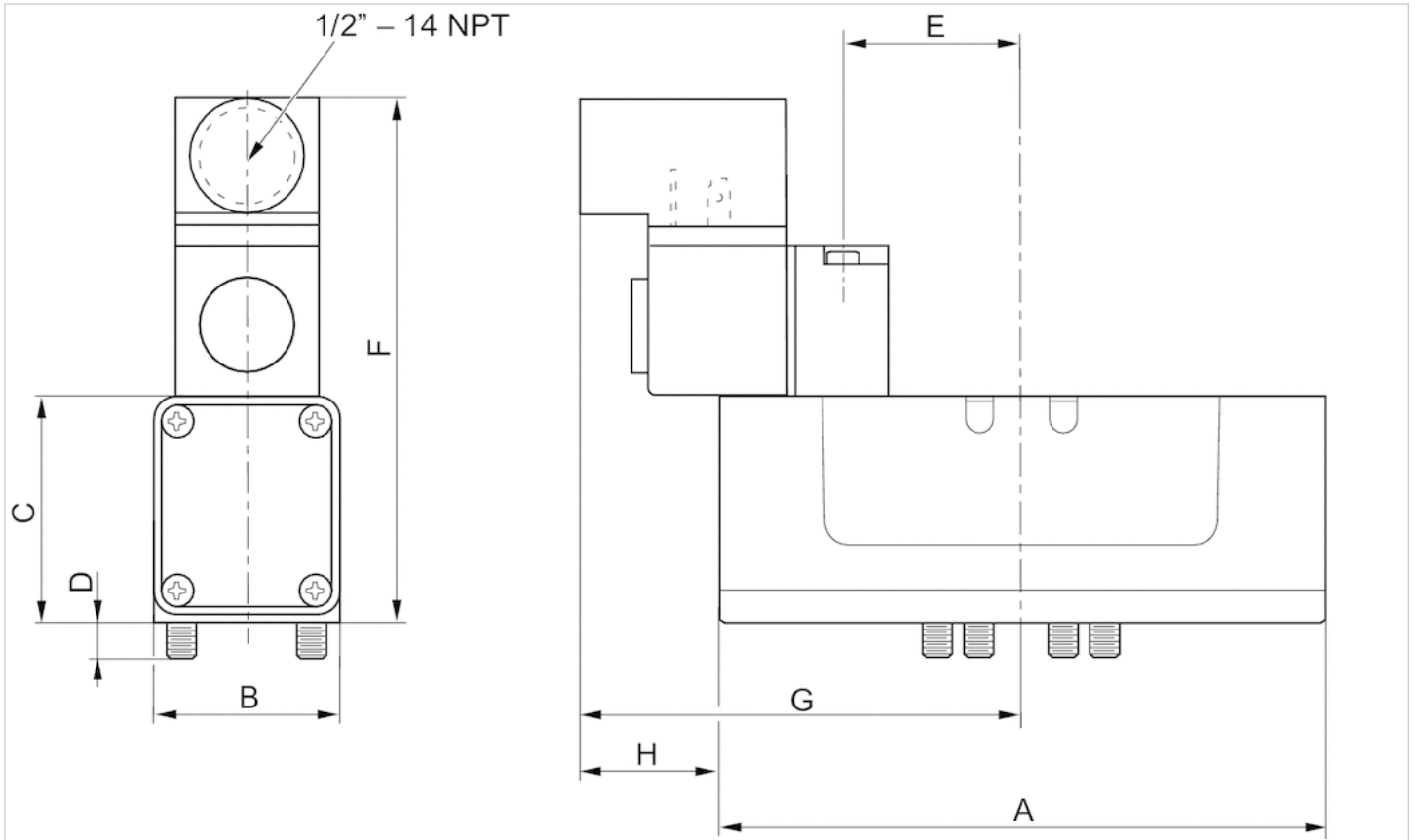
Technical information

Material

| | |
|---------|---------------------------------|
| Housing | Die-cast aluminum, painted gray |
|---------|---------------------------------|

Dimensions

Dimensions in inches



Dimensions in inches

| Part No. | A | B | C | D | E | F | G | H |
|------------|------|------|------|------|------|------|------|------|
| R432006242 | 7.54 | 2.71 | 2.59 | 0.41 | 1.62 | 5.23 | 4.18 | 1.05 |
| R432006243 | 7.54 | 2.71 | 2.59 | 0.41 | 1.62 | 5.23 | 4.18 | 1.05 |
| R432030344 | 7.54 | 2.71 | 2.59 | 0.41 | 1.62 | 5.23 | 4.18 | 1.05 |
| R432006238 | 7.54 | 2.71 | 2.59 | 0.41 | 1.62 | 5.23 | 4.18 | 1.05 |
| R432006240 | 7.54 | 2.71 | 2.59 | 0.41 | 1.62 | 5.23 | 4.18 | 1.05 |
| - | - | - | - | - | - | - | - | - |
| R432002457 | 7.54 | 2.71 | 2.59 | 0.41 | 1.62 | 5.23 | 4.18 | 1.05 |









5/2-directional valve, Series CERAM™, size 3

- 5/2
- Qn = 4300 l/min
- Pilot valve width : 30 mm CNOMO
- Plate connection
- Electrical connection : Plug, EN 175301-803, form A
- Can be assembled into blocks
- Manual override : with detent, without detent
- single solenoid
- With air spring return
- Pilot : Internal External



| | |
|------------------------------------|-----------------------------|
| Activation | Electrically |
| Sealing principle | Ceramic |
| Blocking principle | Single base plate principle |
| Standards | ISO 5599-1, ISO 3 |
| Working pressure min./max. | See table below |
| Control pressure min./max. | See table below |
| Ambient temperature min./max. | See table below |
| Medium temperature min./max. | See table below |
| Medium | Compressed air |
| Nominal flow Qn | 4300 l/min |
| Compressed air connection | according to ISO 5599-1 |
| Protection class according to NEMA | NEMA 4 |
| Weight | 1.97 kg |

Technical data

| Part No. |  | MO | Compressed air connection | Operational voltage |
|------------|---|-------------------------|---------------------------|---------------------|
| | | | Pilot Exhaust | DC |
| R432030345 |  | TR-TR-TR-TR-TR-TR-TR-TR | Base plate ISO 5599-1 | 12 V |
| R432006244 |  | | Base plate ISO 5599-1 | 24 V |
| R432030343 |  | | Base plate ISO 5599-1 | - |
| R432006239 |  | | Base plate ISO 5599-1 | - |
| R432006241 |  | | Base plate ISO 5599-1 | - |
| R432002455 |  | | Base plate ISO 5599-1 | - |
| R432002458 |  | | Base plate ISO 5599-1 | - |

| Part No. | Operational voltage | Operational voltage | Voltage tolerance |
|------------|---------------------|---------------------|-------------------|
| | AC 50 Hz | AC 60 Hz | DC |
| R432030345 | - | - | -10% / +10% |
| R432006244 | - | - | -10% / +10% |
| R432030343 | 24 V | 24 V | - |
| R432006239 | 110 V | 120 V | - |
| R432006241 | 220 V | 240 V | - |
| R432002455 | - | - | - |
| R432002458 | - | - | - |

| Part No. | Voltage tolerance | Voltage tolerance | Power consumption | Holding power |
|------------|-------------------|-------------------|-------------------|---------------|
| | AC 50 Hz | AC 60 Hz | DC | AC 50 Hz |
| R432030345 | - | - | 2.7 W | - |
| R432006244 | - | - | 2.7 W | - |
| R432030343 | -10% / +10% | -10% / +10% | - | 3.7 VA |
| R432006239 | -10% / +10% | -10% / +10% | - | 3.7 VA |
| R432006241 | -10% / +10% | -10% / +10% | - | 3.7 VA |
| R432002455 | - | - | - | - |
| R432002458 | - | - | - | - |

| Part No. | Holding power | Switch-on power | Switch-on power | Pilot | Working pressure min./max. |
|------------|---------------|-----------------|-----------------|----------|----------------------------|
| | AC 60 Hz | AC 50 Hz | AC 60 Hz | | |
| R432030345 | - | - | - | Internal | 0 ... 10.3 bar |
| R432006244 | - | - | - | Internal | 0 ... 10.3 bar |
| R432030343 | 3.7 VA | 6.4 VA | 6.4 VA | Internal | 0 ... 10.3 bar |
| R432006239 | 3.7 VA | 6.4 VA | 6.4 VA | Internal | 0 ... 10.3 bar |
| R432006241 | 3.7 VA | 6.4 VA | 6.4 VA | Internal | 0 ... 10.3 bar |
| R432002455 | - | - | - | External | -0.95 ... 10.3 bar |
| R432002458 | - | - | - | Internal | 0 ... 10.3 bar |

| Part No. | Control pressure min./max. | Ambient temperature min./max. | Medium temperature min./max. |
|------------|----------------------------|-------------------------------|------------------------------|
| R432030345 | 2.5 ... 10.3 bar | -16 ... 66 °C | -16 ... 66 °C |
| R432006244 | 2.5 ... 10.3 bar | -16 ... 66 °C | -16 ... 66 °C |
| R432030343 | 2.5 ... 10.3 bar | -16 ... 66 °C | -16 ... 66 °C |
| R432006239 | 2.5 ... 10.3 bar | -16 ... 66 °C | -16 ... 66 °C |
| R432006241 | 2.5 ... 10.3 bar | -16 ... 66 °C | -16 ... 66 °C |

| Part No. | Control pressure min./max. | Ambient temperature min./max. | Medium temperature min./max. |
|------------|----------------------------|-------------------------------|------------------------------|
| R432002455 | -0.8 ... 10.3 bar | -15 ... 66 °C | -15 ... 66 °C |
| R432002458 | 2.5 ... 10.3 bar | -16 ... 66 °C | -16 ... 66 °C |

| Part No. | Valve plug connector | basic valve with electrical connector |
|------------|------------------------------|---------------------------------------|
| R432030345 | Without valve plug connector | - |
| R432006244 | Without valve plug connector | - |
| R432030343 | Without valve plug connector | - |
| R432006239 | Without valve plug connector | - |
| R432006241 | Without valve plug connector | - |
| R432002455 | Without valve plug connector | Basic valve without coil |
| R432002458 | Without valve plug connector | Basic valve without coil |

| Part No. | Mounting screw |
|------------|------------------------|
| R432030345 | M8 with hexagon socket |
| R432006244 | M8 with hexagon socket |
| R432030343 | M8 with hexagon socket |
| R432006239 | M8 with hexagon socket |
| R432006241 | M8 with hexagon socket |
| R432002455 | M5 with hexagon socket |
| R432002458 | M8 with hexagon socket |

Nominal flow Q_n at 6 bar and $\Delta p = 1$ bar

MO = Manual override

Technical information

The min. control pressure must be adhered to, since otherwise faulty switching and valve failure may result!

The pressure dew point must be at least 15 °C under ambient and medium temperature and may not exceed 3 °C .

The oil content of compressed air must remain constant during the life cycle.

Use only the approved oils from AVENTICS. Further information can be found in the "Technical information" document (available in the MediaCentre).

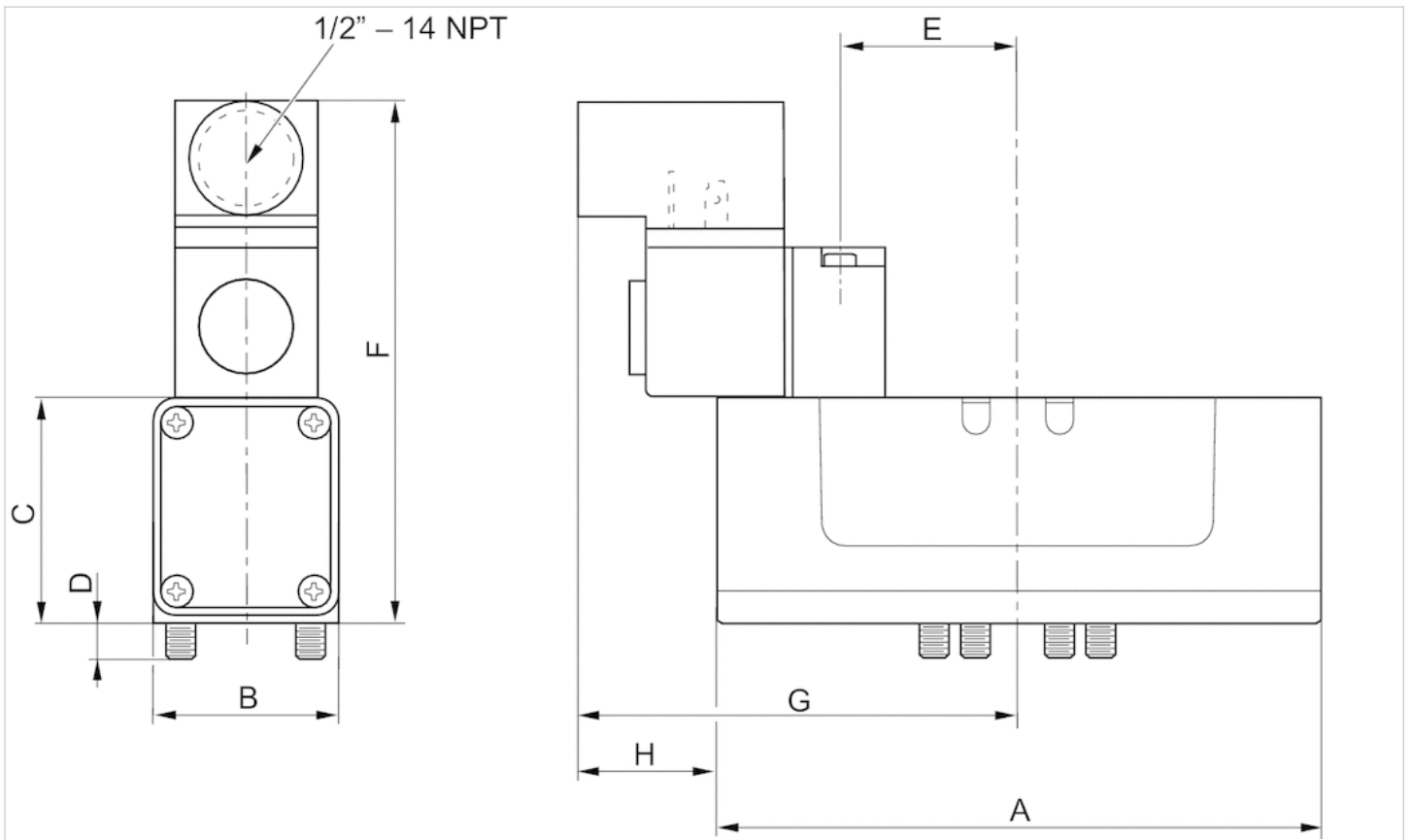
Technical information

Material

| | |
|---------|---|
| Housing | Die cast zinc, painted gray Die-cast aluminum, painted gray |
|---------|---|

Dimensions

Dimensions in inches

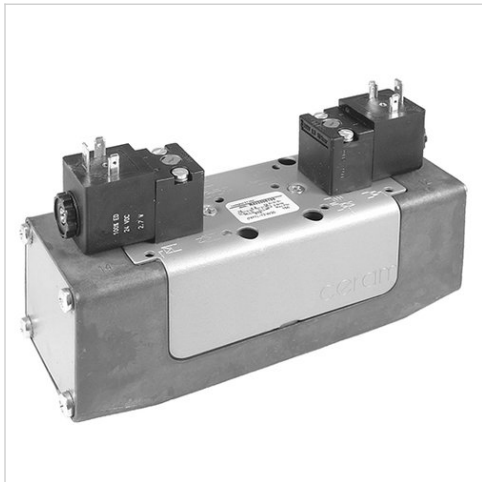


Dimensions in inches

| Part No. | A | B | C | D | E | F | G | H |
|------------|------|------|------|------|------|------|------|------|
| R432030345 | 7.54 | 2.71 | 2.59 | 0.41 | 1.62 | 5.23 | 4.18 | 1.05 |
| R432006244 | 7.54 | 2.71 | 2.59 | 0.41 | 1.62 | 5.23 | 4.18 | 1.05 |
| R432030343 | 7.54 | 2.71 | 2.59 | 0.41 | 1.62 | 5.23 | 4.18 | 1.05 |
| R432006239 | 7.54 | 2.71 | 2.59 | 0.41 | 1.62 | 5.23 | 4.18 | 1.05 |
| R432006241 | 7.54 | 2.71 | 2.59 | 0.41 | 1.62 | 5.23 | 4.18 | 1.05 |
| - | - | - | - | - | - | - | - | - |
| R432002458 | 7.54 | 2.71 | 2.59 | 0.41 | 1.62 | 5.23 | 4.18 | 1.05 |

5/2-directional valve, Series CERAM™, size 3

- 5/2
- Qn = 4300 l/min
- Pilot valve width : 30 mm CNOMO
- Plate connection
- Electrical connection : Plug, EN 175301-803, form A
- Can be assembled into blocks
- Manual override : with detent, without detent
- double solenoid single solenoid
- Pilot : Internal External



| | |
|------------------------------------|-----------------------------|
| Activation | Electrically |
| Sealing principle | Ceramic |
| Blocking principle | Single base plate principle |
| Standards | ISO 5599-1, ISO 3 |
| Working pressure min./max. | 0 ... 10.3 bar |
| Control pressure min./max. | See table below |
| Ambient temperature min./max. | -15 ... 66 °C |
| Medium temperature min./max. | -15 ... 66 °C |
| Medium | Compressed air |
| Nominal flow Qn | 4300 l/min |
| Compressed air connection | according to ISO 5599-1 |
| Protection class according to NEMA | NEMA 4 |
| Weight | See table below |

Technical data

| Part No. | | MO | Compressed air connection | | Operational voltage |
|------------|---|------------------------------------|---------------------------|--|---------------------|
| | | | Pilot Exhaust | | DC |
| R432006267 | | TT-R-TT-R-TT-R-TT-R-TT-R-TT-R-TT-R | Base plate ISO 5599-1 | | 24 V |
| R432030342 | | | Base plate ISO 5599-1 | | 12 V |
| R432030341 | | | Base plate ISO 5599-1 | | - |
| R432006265 | | | Base plate ISO 5599-1 | | - |
| R432006266 | - | | Base plate ISO 5599-1 | | - |
| R432002456 | | | Base plate ISO 5599-1 | | - |
| R432002459 | | | Base plate ISO 5599-1 | | - |

| Part No. | Operational voltage | Operational voltage | Voltage tolerance |
|------------|---------------------|---------------------|-------------------|
| | AC 50 Hz | AC 60 Hz | DC |
| R432006267 | - | - | -10% / +10% |
| R432030342 | - | - | -10% / +10% |
| R432030341 | 24 V | 24 V | - |
| R432006265 | 110 V | 120 V | - |
| R432006266 | 220 V | 240 V | - |
| R432002456 | - | - | - |
| R432002459 | - | - | - |

| Part No. | Voltage tolerance | Voltage tolerance | Power consumption | Holding power |
|------------|-------------------|-------------------|-------------------|---------------|
| | AC 50 Hz | AC 60 Hz | DC | AC 50 Hz |
| R432006267 | - | - | 2.7 W | - |
| R432030342 | - | - | 2.7 W | - |
| R432030341 | -10% / +10% | -10% / +10% | - | 3.7 VA |
| R432006265 | -10% / +10% | -10% / +10% | - | 3.7 VA |
| R432006266 | -10% / +10% | -10% / +10% | - | 3.7 VA |
| R432002456 | - | - | - | - |
| R432002459 | - | - | - | - |

| Part No. | Holding power | Switch-on power | Switch-on power | Pilot | Control pressure min./max. |
|------------|---------------|-----------------|-----------------|----------|----------------------------|
| | AC 60 Hz | AC 50 Hz | AC 60 Hz | | |
| R432006267 | - | - | - | Internal | 2.5 ... 10.3 bar |
| R432030342 | - | - | - | Internal | 2.5 ... 10.3 bar |
| R432030341 | 3.7 VA | 6.4 VA | 6.4 VA | Internal | 2.5 ... 10.3 bar |
| R432006265 | 3.7 VA | 6.4 VA | 6.4 VA | Internal | 2.5 ... 10.3 bar |
| R432006266 | 3.7 VA | 6.4 VA | 6.4 VA | Internal | 2.5 ... 10.3 bar |
| R432002456 | - | - | - | External | -0.8 ... 10.3 bar |
| R432002459 | - | - | - | Internal | 2.5 ... 10.3 bar |

| Part No. | Typ. switch-on time | Typ. switch-off time | Valve plug connector |
|------------|---------------------|----------------------|------------------------------|
| R432006267 | 58 ms | 60 ms | Without valve plug connector |
| R432030342 | 58 ms | 60 ms | Without valve plug connector |
| R432030341 | 58 ms | 60 ms | Without valve plug connector |
| R432006265 | 58 ms | 60 ms | Without valve plug connector |
| R432006266 | 58 ms | 60 ms | Without valve plug connector |

| Part No. | Typ. switch-on time | Typ. switch-off time | Valve plug connector |
|------------|---------------------|----------------------|------------------------------|
| R432002456 | - | - | Without valve plug connector |
| R432002459 | - | - | Without valve plug connector |

| Part No. | basic valve with electrical connector | Mounting screw | Weight |
|------------|---------------------------------------|------------------------|---------|
| R432006267 | - | M8 with hexagon socket | 2.26 kg |
| R432030342 | - | M8 with hexagon socket | 2.26 kg |
| R432030341 | - | M8 with hexagon socket | 2.26 kg |
| R432006265 | - | M8 with hexagon socket | 2.26 kg |
| R432006266 | - | M8 with hexagon socket | 2.26 kg |
| R432002456 | Basic valve without coil | M5 with hexagon socket | 1.87 kg |
| R432002459 | Basic valve without coil | M8 with hexagon socket | 1.87 kg |

Nominal flow Q_n at 6 bar and $\Delta p = 1$ bar

MO = Manual override

Technical information

The min. control pressure must be adhered to, since otherwise faulty switching and valve failure may result!

The pressure dew point must be at least 15 °C under ambient and medium temperature and may not exceed 3 °C .

The oil content of compressed air must remain constant during the life cycle.

Use only the approved oils from AVENTICS. Further information can be found in the "Technical information" document (available in the MediaCentre).

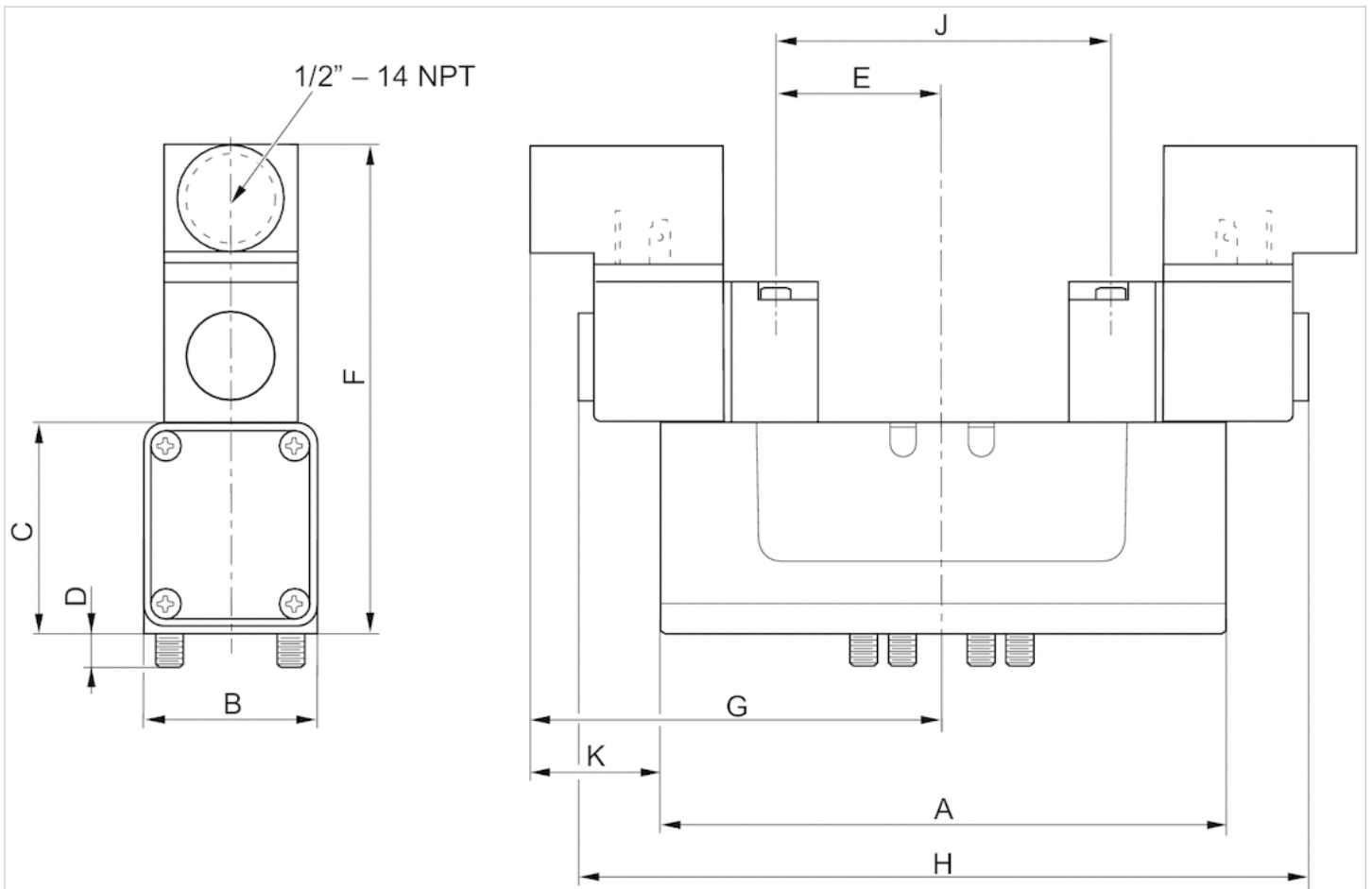
Technical information

Material

| | |
|---------|---------------------------------|
| Housing | Die-cast aluminum, painted gray |
|---------|---------------------------------|

Dimensions

Dimensions in inches

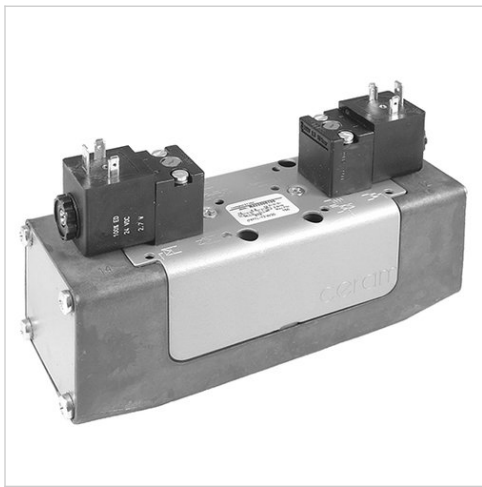


Dimensions in inches

| Part No. | A | B | C | D | E | F | G | H | J | K |
|------------|------|------|------|------|------|------|------|------|------|------|
| R432006267 | 7.54 | 2.71 | 2.59 | 0.41 | 1.62 | 5.23 | 4.18 | 8.36 | 3.25 | 1.05 |
| R432030342 | 7.54 | 2.71 | 2.59 | 0.41 | 1.62 | 5.23 | 4.18 | 8.36 | 3.25 | 1.05 |
| R432030341 | 7.54 | 2.71 | 2.59 | 0.41 | 1.62 | 5.23 | 4.18 | 8.36 | 3.25 | 1.05 |
| R432006265 | 7.54 | 2.71 | 2.59 | 0.41 | 1.62 | 5.23 | 4.18 | 8.36 | 3.25 | 1.05 |
| R432006266 | 7.54 | 2.71 | 2.59 | 0.41 | 1.62 | 5.23 | 4.18 | 8.36 | 3.25 | 1.05 |
| - | - | - | - | - | - | - | - | - | - | - |
| R432002459 | 7.54 | 2.71 | 2.59 | 0.41 | 1.62 | 5.23 | 4.18 | 8.36 | 3.25 | 1.05 |

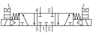
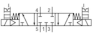
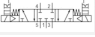



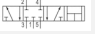

5/3-directional valve, Series CERAM™, size 3

- 5/3
- $Q_n = 4300$ l/min
- Pilot valve width : 30 mm CNOMO
- closed center
- Plate connection
- Electrical connection : Plug, EN 175301-803, form A
- Can be assembled into blocks
- Manual override : with detent, without detent
- double solenoid single solenoid
- Pilot : Internal External



| | |
|------------------------------------|-----------------------------|
| Activation | Electrically |
| Sealing principle | Ceramic |
| Blocking principle | Single base plate principle |
| Standards | ISO 5599-1, ISO 3 |
| Working pressure min./max. | See table below |
| Control pressure min./max. | See table below |
| Ambient temperature min./max. | -15 ... 66 °C |
| Medium temperature min./max. | -15 ... 66 °C |
| Medium | Compressed air |
| Nominal flow Q_n | 4300 l/min |
| Compressed air connection | according to ISO 5599-1 |
| Protection class according to NEMA | NEMA 4 |
| Weight | See table below |

Technical data

| Part No. |  | MO | Compressed air connection | |
|------------|---|-------------------------------|---------------------------|-----------------------|
| | | | | Pilot Exhaust |
| R432006198 |  | TT R-TR-TR-TR-TR-TR-TR-TR-TR- | closed center | Base plate ISO 5599-1 |
| R432006199 |  | | closed center | Base plate ISO 5599-1 |
| R432030346 |  | | closed center | Base plate ISO 5599-1 |
| R432006196 |  | | closed center | Base plate ISO 5599-1 |
| R432006197 |  | | closed center | Base plate ISO 5599-1 |
| R432002451 |  | | closed center | Base plate ISO 5599-1 |
| R432002453 |  | | closed center | Base plate ISO 5599-1 |

| Part No. | Operational voltage | Operational voltage | Operational voltage |
|------------|---------------------|---------------------|---------------------|
| | DC | AC 50 Hz | AC 60 Hz |
| R432006198 | 12 V | - | - |
| R432006199 | 24 V | - | - |
| R432030346 | - | 24 V | 24 V |
| R432006196 | - | 110 V | 120 V |
| R432006197 | - | 220 V | 240 V |
| R432002451 | - | - | - |
| R432002453 | - | - | - |

| Part No. | Voltage tolerance | Voltage tolerance | Voltage tolerance | Power consumption |
|------------|-------------------|-------------------|-------------------|-------------------|
| | DC | AC 50 Hz | AC 60 Hz | DC |
| R432006198 | -10% / +10% | - | - | 2.7 W |
| R432006199 | -10% / +10% | - | - | 2.7 W |
| R432030346 | - | -10% / +10% | -10% / +10% | - |
| R432006196 | - | -10% / +10% | -10% / +10% | - |
| R432006197 | - | -10% / +10% | -10% / +10% | - |
| R432002451 | - | - | - | - |
| R432002453 | - | - | - | - |

| Part No. | Holding power | Holding power | Switch-on power | Switch-on power | Pilot |
|------------|---------------|---------------|-----------------|-----------------|----------|
| | AC 50 Hz | AC 60 Hz | AC 50 Hz | AC 60 Hz | |
| R432006198 | - | - | - | - | Internal |
| R432006199 | - | - | - | - | Internal |
| R432030346 | 3.7 VA | 3.7 VA | 6.4 VA | 6.4 VA | Internal |
| R432006196 | 3.7 VA | 3.7 VA | 6.4 VA | 6.4 VA | Internal |
| R432006197 | 3.7 VA | 3.7 VA | 6.4 VA | 6.4 VA | Internal |
| R432002451 | - | - | - | - | External |
| R432002453 | - | - | - | - | Internal |

| Part No. | Working pressure min./max. | Control pressure min./max. | Valve plug connector |
|------------|----------------------------|----------------------------|------------------------------|
| R432006198 | 2 ... 10.3 bar | 2.5 ... 10.3 bar | Without valve plug connector |
| R432006199 | 0 ... 10.3 bar | 2.5 ... 10.3 bar | Without valve plug connector |
| R432030346 | 0 ... 10.3 bar | 2.5 ... 10.3 bar | Without valve plug connector |
| R432006196 | 0 ... 10.3 bar | 2.5 ... 10.3 bar | Without valve plug connector |
| R432006197 | 0 ... 10.3 bar | 2.5 ... 10.3 bar | Without valve plug connector |
| R432002451 | 0 ... 10.3 bar | -0.8 ... 10.3 bar | Without valve plug connector |

| Part No. | Working pressure min./max. | Control pressure min./max. | Valve plug connector |
|------------|----------------------------|----------------------------|------------------------------|
| R432002453 | 0 ... 10.3 bar | 2.5 ... 10.3 bar | Without valve plug connector |

| Part No. | basic valve with electrical connector | Mounting screw | Weight |
|------------|---------------------------------------|------------------------|---------|
| R432006198 | - | M8 with hexagon socket | 2.26 kg |
| R432006199 | - | M8 with hexagon socket | 2.26 kg |
| R432030346 | - | M8 with hexagon socket | 2.26 kg |
| R432006196 | - | M8 with hexagon socket | 2.26 kg |
| R432006197 | - | M8 with hexagon socket | 2.26 kg |
| R432002451 | Basic valve without coil | M5 with hexagon socket | 2.01 kg |
| R432002453 | Basic valve without coil | M8 with hexagon socket | 2.01 kg |

Nominal flow Q_n at 6 bar and $\Delta p = 1$ bar

MO = Manual override

Technical information

The min. control pressure must be adhered to, since otherwise faulty switching and valve failure may result!

The pressure dew point must be at least 15 °C under ambient and medium temperature and may not exceed 3 °C .

The oil content of compressed air must remain constant during the life cycle.

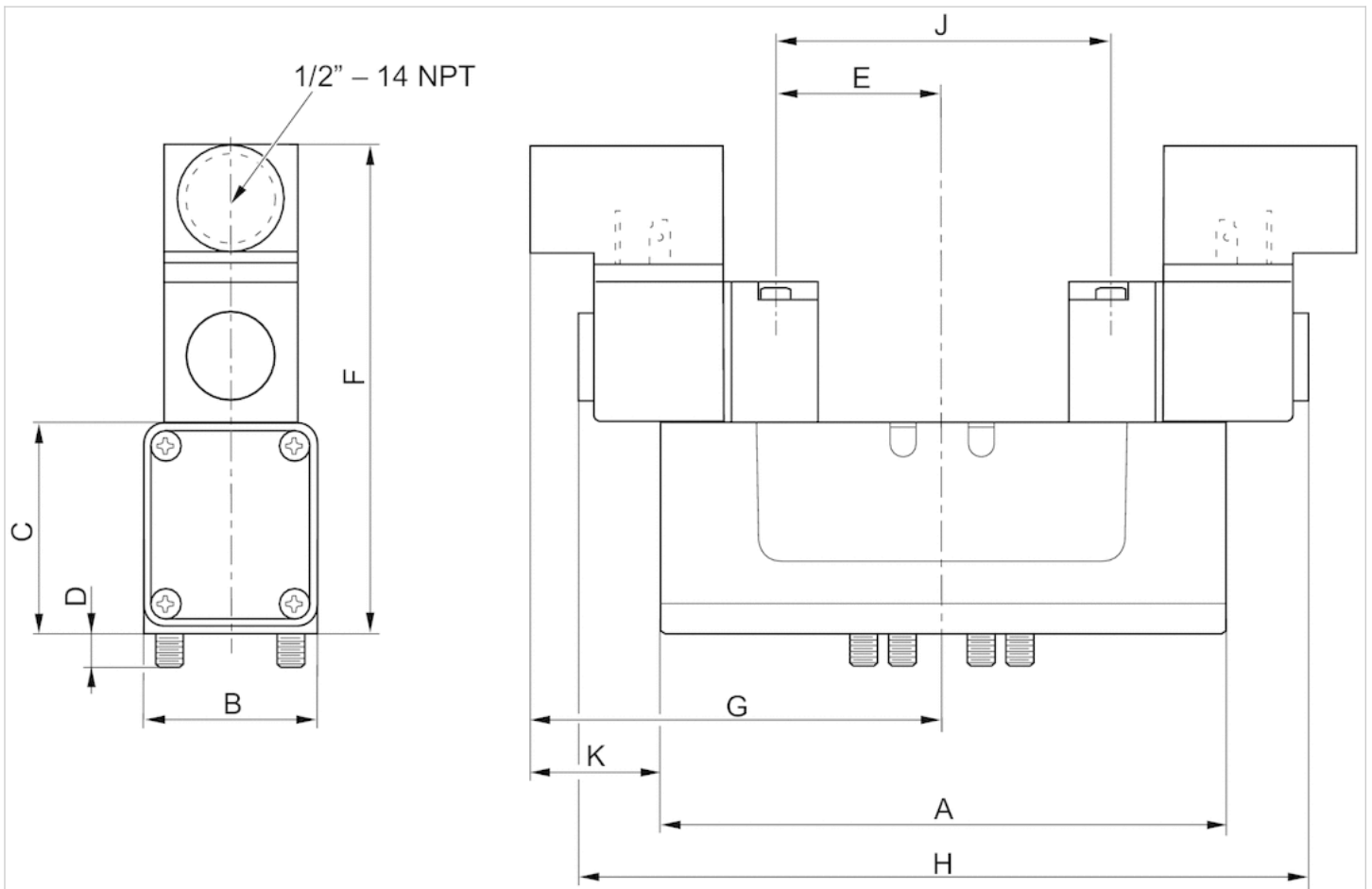
Use only the approved oils from AVENTICS. Further information can be found in the "Technical information" document (available in the MediaCentre).

Technical information

| Material | |
|----------|---------------------------------|
| Housing | Die-cast aluminum, painted gray |

Dimensions

Dimensions in inches

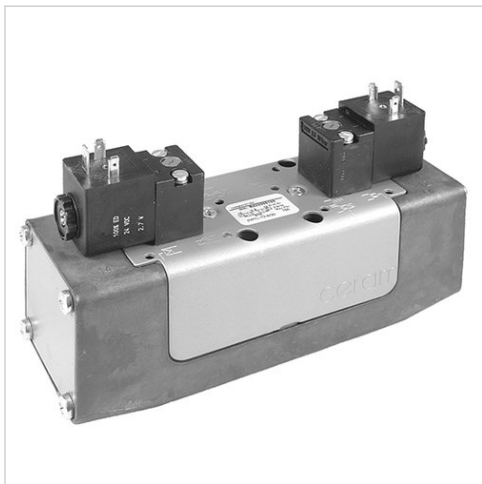


Dimensions in inches

| Part No. | A | B | C | D | E | F | G | H | J | K |
|------------|------|------|------|------|------|------|------|------|------|------|
| R432006198 | 7.54 | 2.71 | 2.59 | 0.41 | 1.62 | 5.23 | 4.18 | 8.36 | 3.25 | 1.05 |
| R432006199 | 7.54 | 2.71 | 2.59 | 0.41 | 1.62 | 5.23 | 4.18 | 8.36 | 3.25 | 1.05 |
| R432030346 | 7.54 | 2.71 | 2.59 | 0.41 | 1.62 | 5.23 | 4.18 | 8.36 | 3.25 | 1.05 |
| R432006196 | 7.54 | 2.71 | 2.59 | 0.41 | 1.62 | 5.23 | 4.18 | 8.36 | 3.25 | 1.05 |
| R432006197 | 7.54 | 2.71 | 2.59 | 0.41 | 1.62 | 5.23 | 4.18 | 8.36 | 3.25 | 1.05 |
| - | - | - | - | - | - | - | - | - | - | - |
| R432002453 | 7.54 | 2.71 | 2.59 | 0.41 | 1.62 | 5.23 | 4.18 | 8.36 | 3.25 | 1.05 |

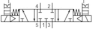
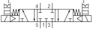
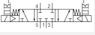
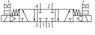



5/3-directional valve, Series CERAM™, size 3

- 5/3
- $Q_n = 4300$ l/min
- Pilot valve width : 30 mm CNOMO
- exhausted center closed center
- Plate connection
- Electrical connection : Plug, EN 175301-803, form A
- Can be assembled into blocks
- Manual override : with detent, without detent
- double solenoid single solenoid
- Pilot : Internal External



| | |
|------------------------------------|-----------------------------|
| Activation | Electrically |
| Sealing principle | Ceramic |
| Blocking principle | Single base plate principle |
| Standards | ISO 5599-1, ISO 3 |
| Working pressure min./max. | 0 ... 10.3 bar |
| Control pressure min./max. | See table below |
| Ambient temperature min./max. | -15 ... 66 °C |
| Medium temperature min./max. | -15 ... 66 °C |
| Medium | Compressed air |
| Nominal flow Q_n | 4300 l/min |
| Compressed air connection | according to ISO 5599-1 |
| Protection class according to NEMA | NEMA 4 |
| mounting screws | M8 with hexagon socket |
| Weight | See table below |

Technical data

| Part No. |  | MO | Compressed air connection | |
|------------|---|-----------------|---------------------------|-----------------------|
| | | | | Pilot Exhaust |
| R432006186 |  | TTR-TR-TR-TR-TR | exhausted center | Base plate ISO 5599-1 |
| R432006187 |  | | exhausted center | Base plate ISO 5599-1 |
| R432030359 |  | | exhausted center | Base plate ISO 5599-1 |
| R432006184 |  | | exhausted center | Base plate ISO 5599-1 |
| R432006185 |  | | exhausted center | Base plate ISO 5599-1 |
| R432002450 |  | | closed center | Base plate ISO 5599-1 |

| Part No. | Operational voltage | Operational voltage | Operational voltage |
|------------|---------------------|---------------------|---------------------|
| | DC | AC 50 Hz | AC 60 Hz |
| R432006186 | 12 V | - | - |
| R432006187 | 24 V | - | - |
| R432030359 | - | 24 V | 24 V |
| R432006184 | - | 110 V | 120 V |
| R432006185 | - | 220 V | 240 V |
| R432002450 | - | - | - |

| Part No. | Voltage tolerance | Voltage tolerance | Voltage tolerance | Power consumption |
|------------|-------------------|-------------------|-------------------|-------------------|
| | DC | AC 50 Hz | AC 60 Hz | DC |
| R432006186 | -10% / +10% | - | - | 2.7 W |
| R432006187 | -10% / +10% | - | - | 2.7 W |
| R432030359 | - | -10% / +10% | -10% / +10% | - |
| R432006184 | - | -10% / +10% | -10% / +10% | - |
| R432006185 | - | -10% / +10% | -10% / +10% | - |
| R432002450 | - | - | - | - |

| Part No. | Holding power | Holding power | Switch-on power | Switch-on power | Pilot |
|------------|---------------|---------------|-----------------|-----------------|----------|
| | AC 50 Hz | AC 60 Hz | AC 50 Hz | AC 60 Hz | |
| R432006186 | - | - | - | - | Internal |
| R432006187 | - | - | - | - | Internal |
| R432030359 | 3.7 VA | 3.7 VA | 6.4 VA | 6.4 VA | Internal |
| R432006184 | 3.7 VA | 3.7 VA | 6.4 VA | 6.4 VA | Internal |
| R432006185 | 3.7 VA | 3.7 VA | 6.4 VA | 6.4 VA | Internal |
| R432002450 | - | - | - | - | External |

| Part No. | Control pressure min./max. | Valve plug connector |
|------------|----------------------------|------------------------------|
| R432006186 | 2.5 ... 10.3 bar | Without valve plug connector |
| R432006187 | 2.5 ... 10.3 bar | Without valve plug connector |
| R432030359 | 2.5 ... 10.3 bar | Without valve plug connector |
| R432006184 | 2.5 ... 10.3 bar | Without valve plug connector |
| R432006185 | 2.5 ... 10.3 bar | Without valve plug connector |
| R432002450 | -0.8 ... 10.3 bar | Without valve plug connector |

| Part No. | basic valve with electrical connector | Weight |
|------------|---------------------------------------|---------|
| R432006186 | - | 2.26 kg |

| Part No. | basic valve with electrical connector | Weight |
|------------|---------------------------------------|---------|
| R432006187 | - | 2.26 kg |
| R432030359 | - | - |
| R432006184 | - | 2.19 kg |
| R432006185 | - | 2.26 kg |
| R432002450 | Basic valve without coil | - |

Nominal flow Q_n at 6 bar and $\Delta p = 1$ bar

MO = Manual override

Technical information

The min. control pressure must be adhered to, since otherwise faulty switching and valve failure may result!

The pressure dew point must be at least 15 °C under ambient and medium temperature and may not exceed 3 °C .

The oil content of compressed air must remain constant during the life cycle.

Use only the approved oils from AVENTICS. Further information can be found in the "Technical information" document (available in the MediaCentre).

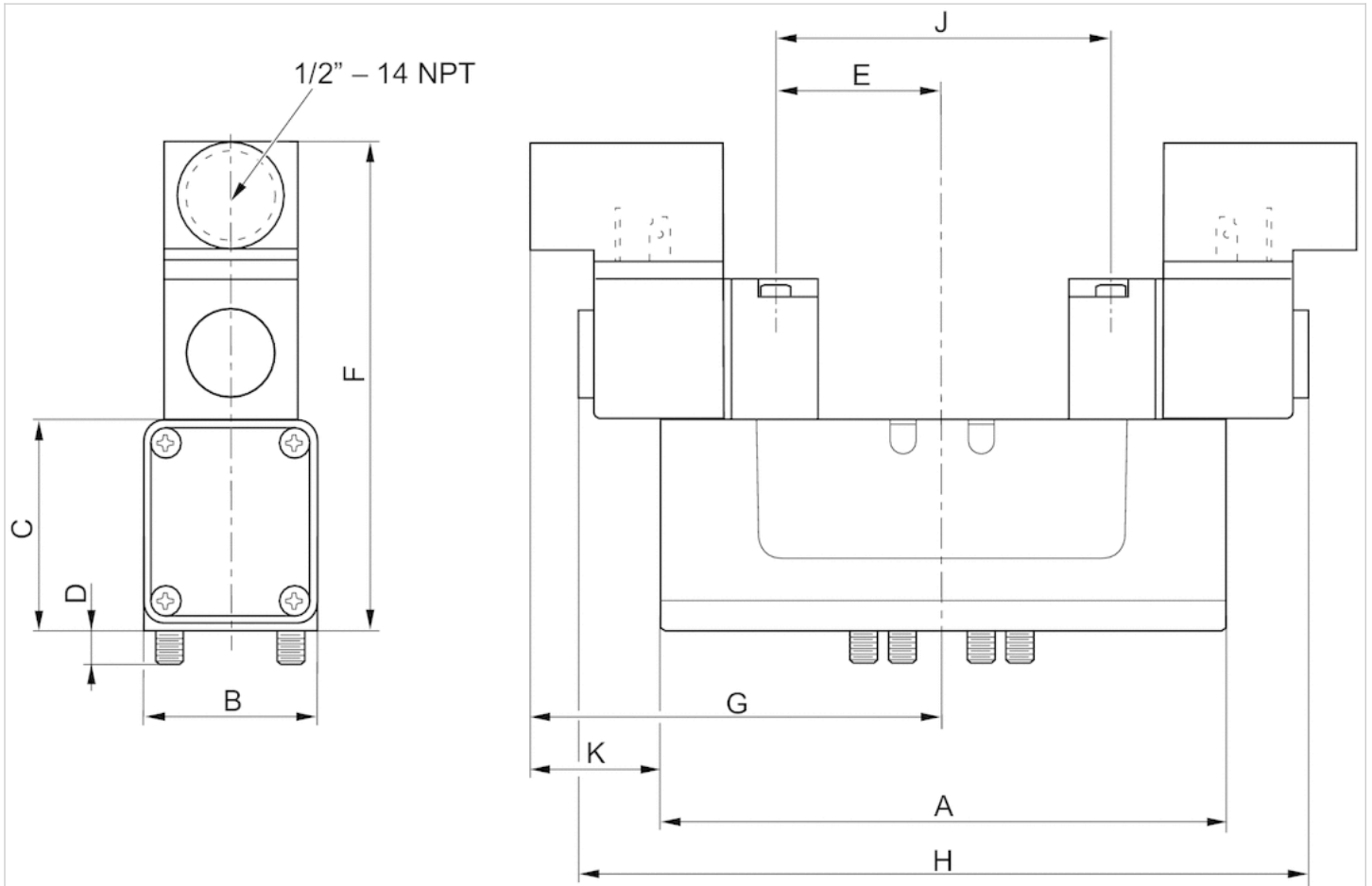
Technical information

Material

| | |
|---------|---------------------------------|
| Housing | Die-cast aluminum, painted gray |
|---------|---------------------------------|

Dimensions

Dimensions in inches



Dimensions in inches

| Part No. | A | B | C | D | E | F | G | H | J | K |
|------------|------|------|------|------|------|------|------|------|------|------|
| R432006186 | 7.54 | 2.71 | 2.59 | 0.41 | 1.62 | 5.23 | 4.18 | 8.36 | 3.25 | 1.05 |
| R432006187 | 7.54 | 2.71 | 2.59 | 0.41 | 1.62 | 5.23 | 4.18 | 8.36 | 3.25 | 1.05 |
| R432030359 | 7.54 | 2.71 | 2.59 | 0.41 | 1.62 | 5.23 | 4.18 | 8.36 | 3.25 | 1.05 |
| R432006184 | 7.54 | 2.71 | 2.59 | 0.41 | 1.62 | 5.23 | 4.18 | 8.36 | 3.25 | 1.05 |
| R432006185 | 7.54 | 2.71 | 2.59 | 0.41 | 1.62 | 5.23 | 4.18 | 8.36 | 3.25 | 1.05 |
| - | - | - | - | - | - | - | - | - | - | - |

End plate right, Inch version

- standard ISO 5599-1
- Frame size ISO 1 ISO 2 ISO 3
- type C



| | |
|-------------------------------|------------------|
| Standards | ISO 5599-1 |
| Working pressure min./max. | -0.95 ... 16 bar |
| Ambient temperature min./max. | -15 ... 70 °C |
| Medium temperature min./max. | -15 ... 70 °C |
| Medium | Compressed air |
| Weight | See table below |

Technical data

| Part No. | Frame size | Compressed air connection Input [1] | Compressed air connection Exhaust [3 / 5] | Weight |
|------------|------------|---|---|----------|
| R432037652 | ISO 1 | 3/8 NPT | 3/8 NPT | 0.32 kg |
| R432037654 | ISO 2 | 3/4 NPT | 3/4 NPT | 0.491 kg |
| R432037656 | ISO 3 | 1 NPT | 1 NPT | 1.32 kg |

Scope of delivery incl. seal and mounting screws

Technical information

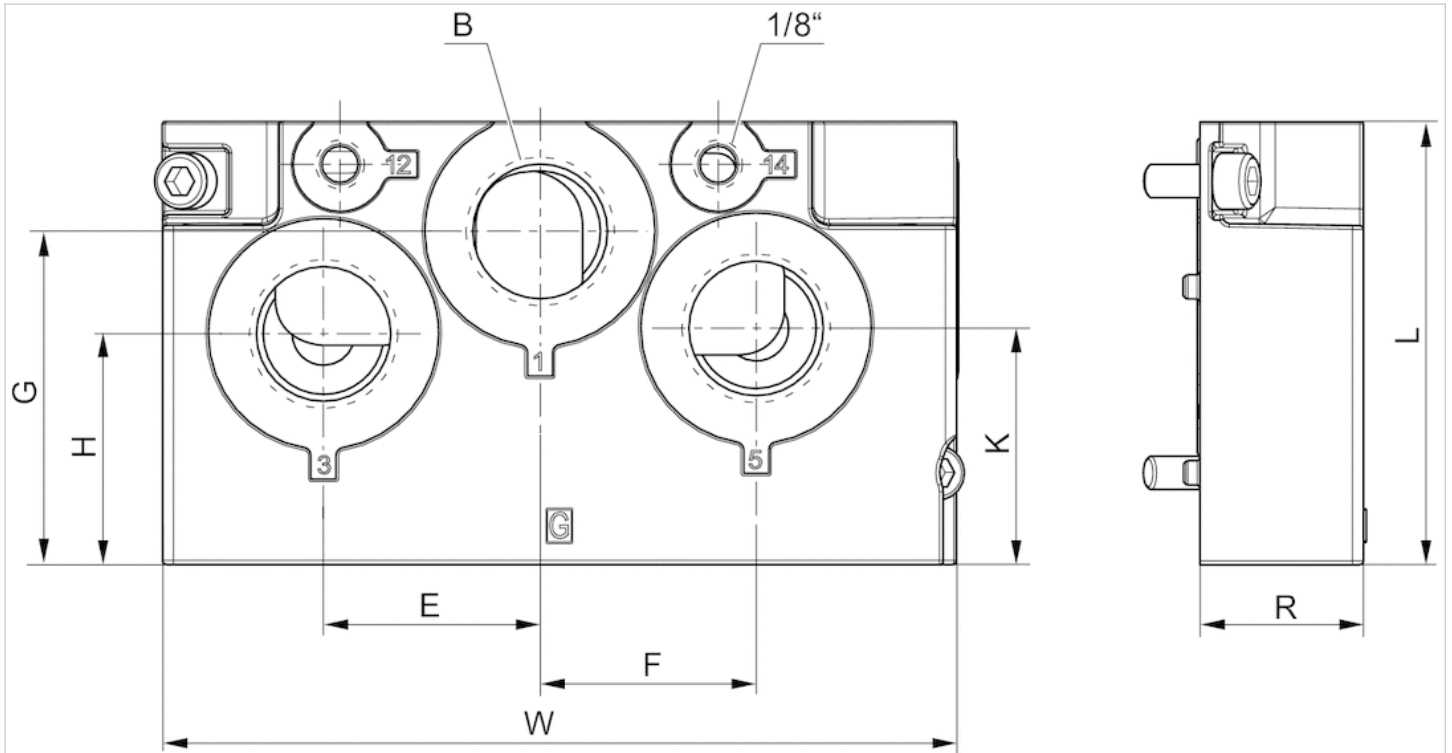
The min. control pressure must be adhered to, since otherwise faulty switching and valve failure may result!
 The pressure dew point must be at least 15 °C under ambient and medium temperature and may not exceed 3 °C .
 The oil content of compressed air must remain constant during the life cycle.
 Use only the approved oils from AVENTICS. Further information can be found in the "Technical information" document (available in the MediaCentre).

Technical information

| Material | |
|------------|----------------------------------|
| Surface | Painted |
| Base plate | Die-cast aluminum, black painted |
| Seal | Acrylonitrile butadiene rubber |

Dimensions

Dimensions



Dimensions

| Part No. | E | F | G | H | J | K | W | Frame size |
|------------|----|----|------|------|----|------|-----|------------|
| R432037652 | 23 | 18 | 15.5 | 30 | 20 | 37.5 | 135 | ISO 1 |
| R432037654 | 39 | 39 | 60 | 41.5 | 38 | 42.5 | 143 | ISO 2 |
| R432037656 | 49 | 49 | 76 | 53 | 32 | 53 | 53 | ISO 3 |

End plate left

- standard ISO 5599-1
- Frame size ISO 1 ISO 2 ISO 3
- type C



| | |
|-------------------------------|------------------|
| Standards | ISO 5599-1 |
| Working pressure min./max. | -0.95 ... 16 bar |
| Ambient temperature min./max. | -15 ... 70 °C |
| Medium temperature min./max. | -15 ... 70 °C |
| Medium | Compressed air |
| Weight | See table below |

Technical data

| Part No. | Frame size | Compressed air connection Input [1] | Compressed air connection Exhaust [3 / 5] | Weight |
|------------|------------|---|---|----------|
| R432037646 | ISO 1 | 3/8 NPT | 3/8 NPT | 0.309 kg |
| R432037648 | ISO 2 | 3/4 NPT | 3/4 NPT | 0.509 kg |
| R432037650 | ISO 3 | 1 NPT | 1 NPT | 1.31 kg |

Scope of delivery incl. seal and mounting screws

Technical information

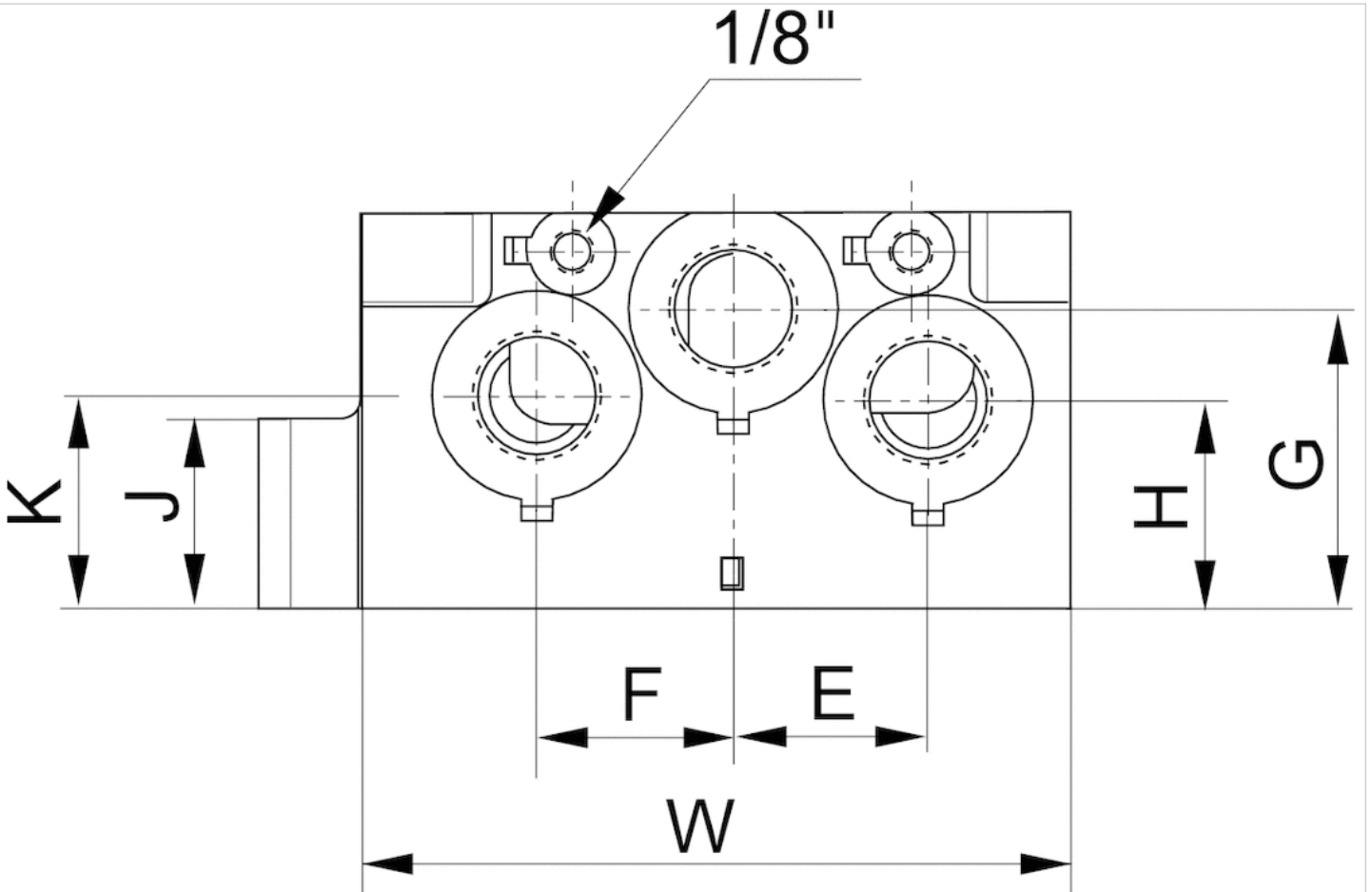
The min. control pressure must be adhered to, since otherwise faulty switching and valve failure may result!
 The pressure dew point must be at least 15 °C under ambient and medium temperature and may not exceed 3 °C .
 The oil content of compressed air must remain constant during the life cycle.
 Use only the approved oils from AVENTICS. Further information can be found in the "Technical information" document (available in the MediaCentre).

Technical information

| Material | |
|------------|--------------------------------|
| Base plate | Die-cast aluminum |
| Seal | Acrylonitrile butadiene rubber |

Dimensions

Dimensions



Dimensions

| Part No. | E | F | G | H | J | K | W |
|------------|----|----|------|------|----|------|-----|
| R432037646 | 23 | 18 | 15.5 | 30 | 20 | 37.5 | 135 |
| R432037648 | 39 | 39 | 60 | 41.5 | 38 | 42.5 | 143 |
| R432037650 | 49 | 49 | 76 | 53 | 32 | 53 | 164 |

ISO 5599-1, Base and end plates, Inch version

- standard ISO 5599-1
- Frame size ISO 1 ISO 2 ISO 3
- type C
- Compressed air connection output 3/8 NPT 1/2 NPT 3/4 NPT
- Can be assembled into blocks



| | |
|-----------------------------------|--------------------------|
| Standards | ISO 5599-1 |
| Working pressure min./max. | -1 ... 16 bar |
| Ambient temperature min./max. | -20 ... 70 °C |
| Medium temperature min./max. | -20 ... 70 °C |
| Medium | Compressed air |
| Direction of pneumatic port (1) | Both directions possible |
| Direction of pneumatic port (3,5) | Both directions possible |
| Exhaust type | Ports separated |
| Weight | See table below |

Technical data

| Part No. | Frame size | Compressed air connection Output [2 / 4] | Weight |
|------------|------------|--|----------|
| R432037640 | ISO 1 | 3/8 NPT | 0.592 kg |
| R432037642 | ISO 2 | 1/2 NPT | 1.04 kg |
| R432037644 | ISO 3 | 3/4 NPT | 1.89 kg |

Scope of delivery incl. seal and mounting screws

Technical information

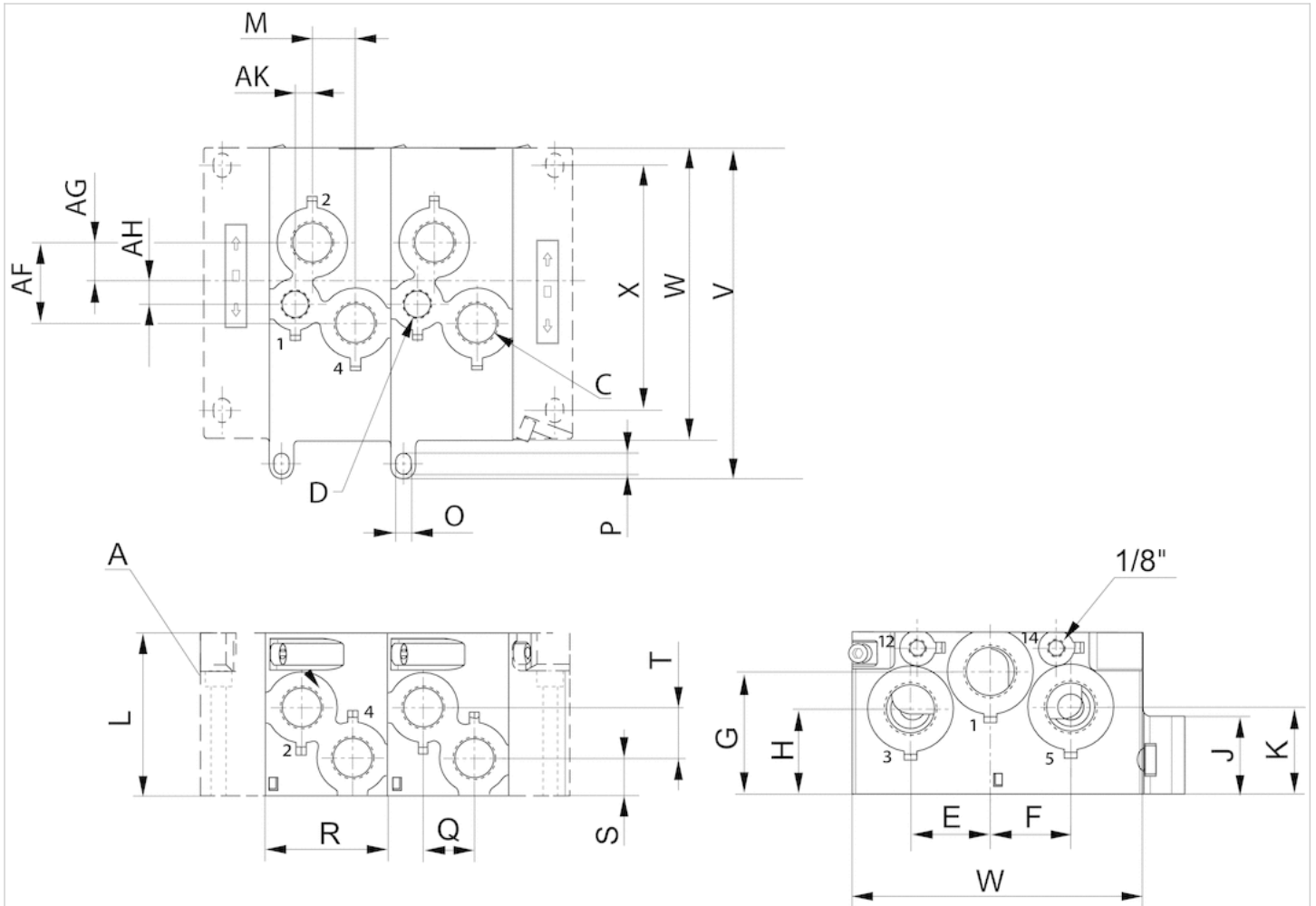
The min. control pressure must be adhered to, since otherwise faulty switching and valve failure may result!
 The pressure dew point must be at least 15 °C under ambient and medium temperature and may not exceed 3 °C .
 The oil content of compressed air must remain constant during the life cycle.
 Use only the approved oils from AVENTICS. Further information can be found in the "Technical information" document (available in the MediaCentre).

Technical information

| Material | |
|------------|----------------------------------|
| Surface | painted |
| Base plate | Die-cast aluminum, black painted |
| Seal | Acrylonitrile butadiene rubber |

Dimensions

Dimensions



A = left and right end plates in two versions

Dimensions

| Part No. | A | D | C | F | G | H | K | L | M | O | P | R | Q | S | T |
|------------|---------|---------|---------|------|------|------|------|------|------|-----|-----|------|----|------|------|
| R432037640 | 1/4 NPT | - | 3/8 NPT | 23.8 | 11.8 | - | - | 60.6 | 12 | 5.5 | 8.5 | 45 | 18 | 13.3 | 14.7 |
| R432037642 | 1/2 NPT | 3/8 NPT | 1/2 NPT | 39.5 | 19 | 11 | 8.2 | 79.7 | 21 | 5.5 | 9.3 | 59.5 | 25 | 18 | 24.8 |
| R432037644 | 3/4 NPT | 1/2 NPT | 3/4 NPT | 46.3 | 25.1 | 11.2 | 15.8 | 100 | 22.5 | 6.3 | 9.3 | 80 | 38 | 24.5 | 20.5 |

Base plate

- standard ISO 5599-1
- Frame size ISO 3
- Compressed air connection output 1/2-14 NPTF 3/4-14 PTF



| | |
|-----------------------------------|--------------------------------|
| Standards | ISO 5599-1 |
| Working pressure min./max. | 3.5 ... 10 bar |
| Ambient temperature min./max. | 10 ... 200 °C |
| Medium temperature min./max. | 10 ... 120 °C |
| Medium | Compressed air |
| Direction of pneumatic port (1) | On the side |
| Direction of pneumatic port (3,5) | On the side |
| Exhaust (3,5) | With directional exhaust (3/5) |
| Exhaust type | Ports separated |
| Mounting screw | M8 |
| Weight | 0.54 kg |

Technical data

| Part No. | Compressed air connection Input [1] | Compressed air connection Output [2 / 4] |
|------------|---|--|
| R432015308 | 1/2-14 NPTF | 1/2-14 NPTF |
| R432015309 | 3/4-14 PTF | 3/4-14 PTF |

| Part No. | Compressed air connection Exhaust [3 / 5] |
|------------|---|
| R432015308 | 1/2-14 NPTF |
| R432015309 | 3/4-14 PTF |

Technical information

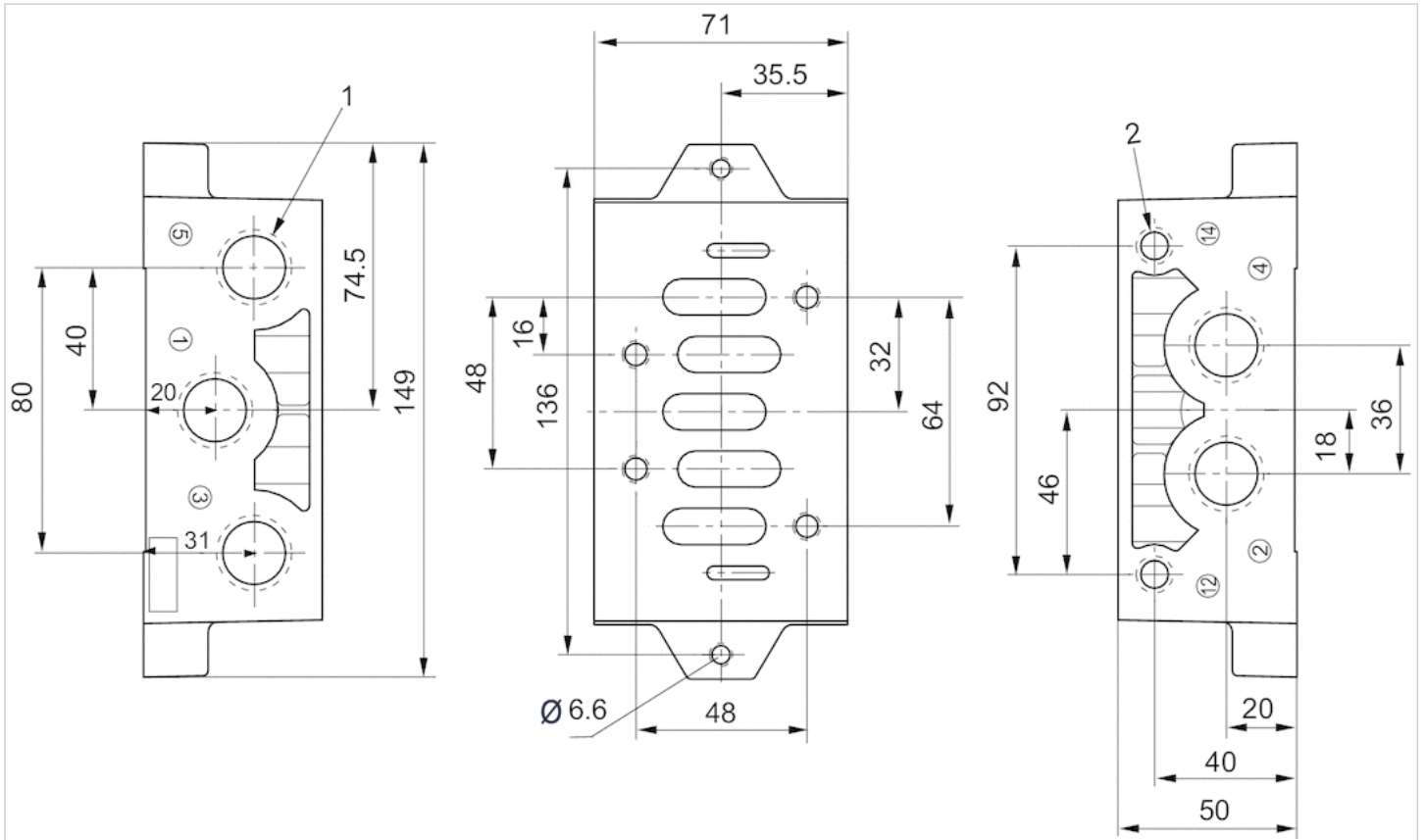
The min. control pressure must be adhered to, since otherwise faulty switching and valve failure may result!
 The pressure dew point must be at least 15 °C under ambient and medium temperature and may not exceed 3 °C .
 The oil content of compressed air must remain constant during the life cycle.
 Use only the approved oils from AVENTICS. Further information can be found in the "Technical information" document (available in the MediaCentre).

Technical information

| Material | |
|------------|-------------------|
| Base plate | Die-cast aluminum |

Dimensions

Dimensions in mm



- 1) Connections [1 ,3 ,5, 2, 4]
- 2) Connections [12, 14] G 1/8






Pressure regulator

- Qn = 1700 l/min
- standard ISO 5599-1
- Frame size ISO 3
- Controlled port 1 2 2, 4 4



| | |
|---------------------------------------|---|
| Working pressure min./max. | 12 bar |
| Adjustment range min./max. | 0.5 ... 8 bar |
| Ambient temperature min./max. | -15 ... 50 °C |
| Medium | Compressed air |
| Max. particle size | 5 µm |
| Oil content of compressed air | 0 ... 5 mg/m ³ |
| Nominal flow Qn | 1700 l/min |
| Tightening torque for mounting screws | 6 Nm |
| Weight | See table below |
| | The delivered product may vary from that in the illustration. |

Technical data

| Part No. | | Frame size | Controlled port | Weight |
|------------|---|------------|-----------------|---------|
| R422103096 |  | ISO 3 | 1 | 1.9 kg |
| R422103097 |  | ISO 3 | 2 | 2.06 kg |
| R422103098 |  | ISO 3 | 2, 4 | 2.8 kg |
| R422103167 |  | ISO 3 | 1 | 1.9 kg |
| R422103168 |  | ISO 3 | 4 | 2.06 kg |

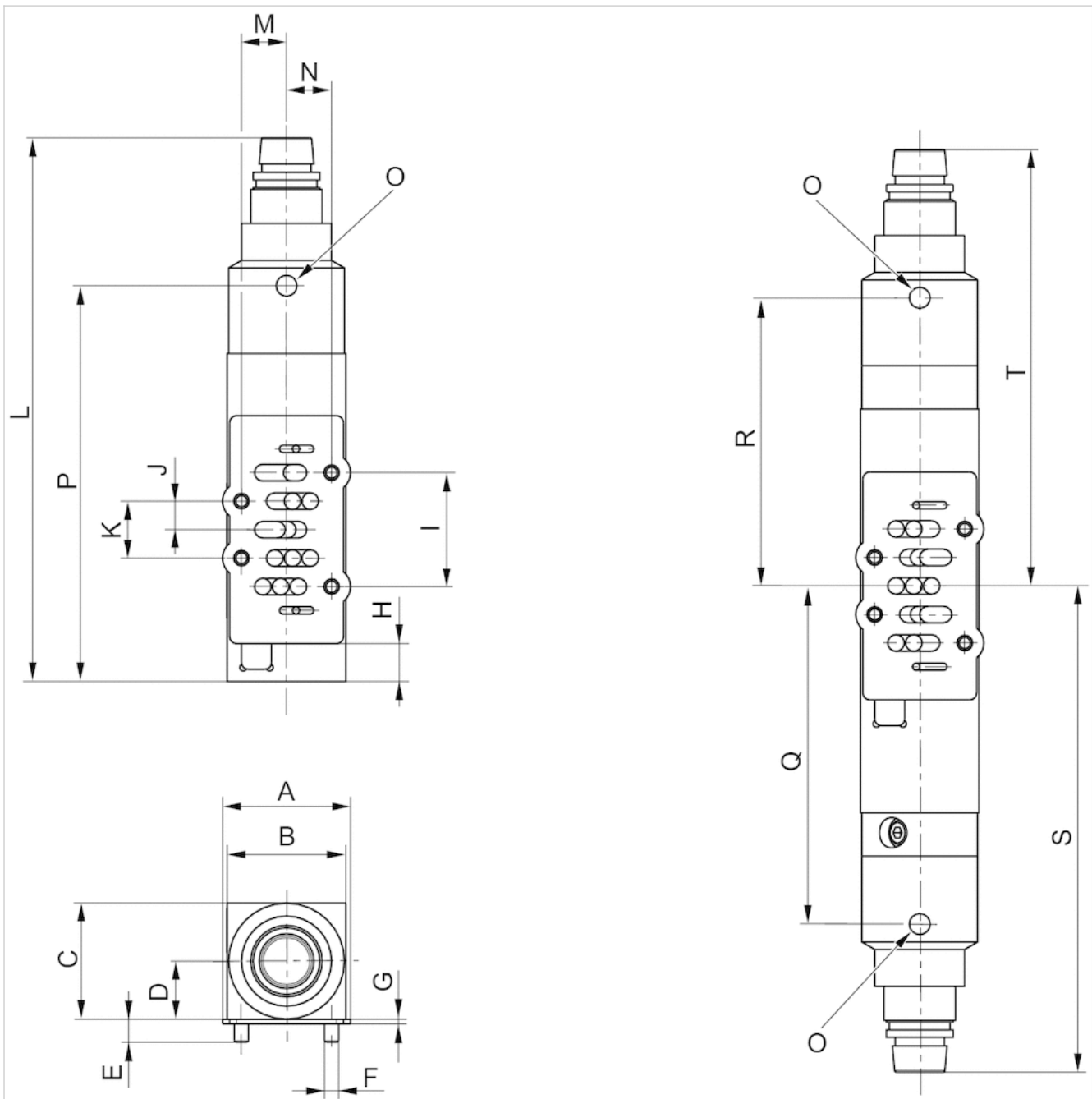
Scope of delivery incl. seal and mounting screws, Order pressure gauge separately, Nominal flow Qn at 6 bar and $\Delta p = 1$ bar .

Technical information

| Material | |
|----------|------------------|
| Housing | Aluminum |
| Seals | Butadiene rubber |

Dimensions

Dimensions



Dimensions

| Part No. | A | B | C | D | E | F | G | H | I | J | K | L | M | N | O | P | Q | R | S | T |
|------------|---|----|----|----|------|----|---|------|----|----|----|-------|----|----|------|-------|-------|-------|-------|-------|
| R422103096 | - | 68 | 68 | 34 | 13.7 | M8 | 2 | 19.2 | 64 | 16 | 32 | 288.8 | 24 | 24 | G1/8 | 200.5 | - | - | - | - |
| R422103097 | - | 68 | 68 | 34 | 13.7 | M8 | 2 | 19.2 | 64 | 16 | 32 | 294.7 | 24 | 24 | G1/8 | 206.5 | - | - | - | - |
| R422103098 | - | 68 | 68 | 34 | 13.7 | M8 | 2 | 19.2 | 64 | 16 | 32 | - | 24 | 24 | G1/8 | - | 161.3 | 131.3 | 249.5 | 219.5 |
| R422103167 | - | 68 | 68 | 34 | 13.7 | M8 | 2 | 1.5 | 64 | 16 | 32 | 288.8 | 24 | 24 | G1/8 | - | - | - | - | - |
| R422103168 | - | 68 | 68 | 34 | 13.7 | M8 | 2 | 1.5 | 64 | 16 | 32 | 307 | 24 | 24 | G1/8 | - | - | - | - | - |

Blanking plate

- standard ISO 5599-1
- Frame size ISO 1 ISO 2 ISO 3 ISO 4



| | |
|--------------------------------|-----------------|
| Standards | ISO 5599-1 |
| Working pressure min./max. | -1 ... 16 bar |
| Ambient temperature min./max. | -20 ... 70 °C |
| Medium temperature min./max. | -20 ... 70 °C |
| Medium | Compressed air |
| Number of valve positions max. | 1 |
| Weight | See table below |

Technical data

| Part No. | Frame size | Weight |
|------------|------------|----------|
| 5801870000 | ISO 1 | 0.055 kg |
| 5802870000 | ISO 2 | 0.1 kg |
| 5803870000 | ISO 3 | 0.21 kg |
| 5804870000 | ISO 4 | 0.27 kg |

Scope of delivery incl. seal and mounting screws

Technical information

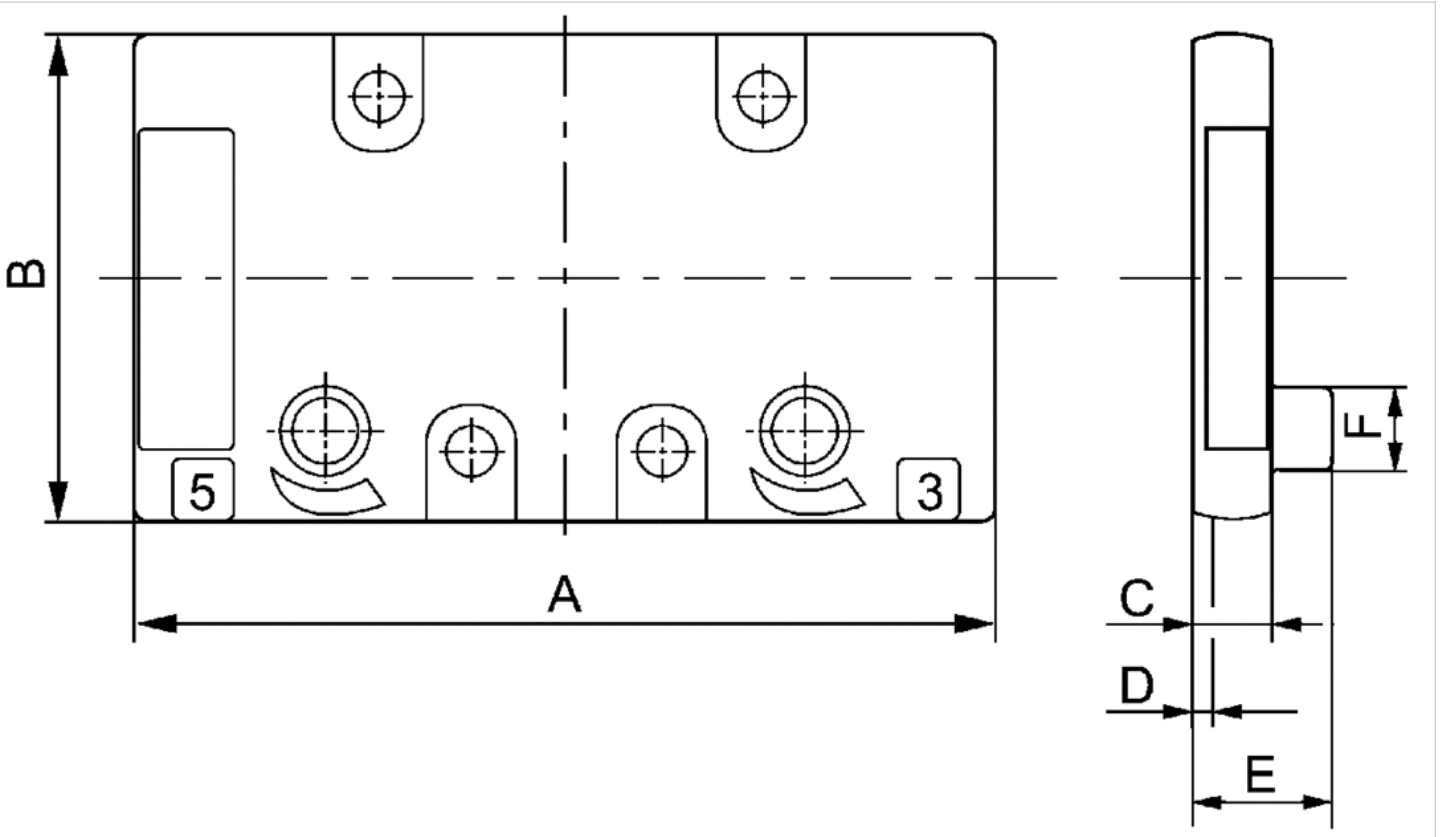
The min. control pressure must be adhered to, since otherwise faulty switching and valve failure may result!
 The pressure dew point must be at least 15 °C under ambient and medium temperature and may not exceed 3 °C .
 The oil content of compressed air must remain constant during the life cycle.
 Use only the approved oils from AVENTICS. Further information can be found in the "Technical information" document (available in the MediaCentre).

Technical information

| Material | |
|------------|----------------------------------|
| Housing | Die-cast aluminum, black painted |
| Base plate | Die-cast aluminum |
| Seal | Acrylonitrile butadiene rubber |

Dimensions

Dimensions



Dimensions

| Part No. | A | B | C | D | E | F | Weight |
|------------|-------|------|----|---|----|----|----------|
| 5801870000 | 69 | 39 | 7 | 2 | – | – | 0.055 kg |
| 5802870000 | 86.4 | 49.4 | 9 | 2 | – | – | 0.1 kg |
| 5803870000 | 116.5 | 63.5 | 10 | 2 | 15 | 12 | 0.21 kg |
| 5804870000 | 142.5 | 74.5 | 10 | 2 | 20 | 15 | 0.27 kg |

Valve plug connector, series CON-VP

- Socket, 2+E, angled, 90° Socket, 3+E, angled, 90°

- EN 175301-803

- unshielded

- with LED Yellow Red Green green/red



| | |
|----------------------------------|-----------------|
| Connection type | Screws |
| Ambient temperature min./max. | -40 ... 90 °C |
| Operational voltage | See table below |
| Protection class | IP65 |
| Mounting screw tightening torque | 0.4 Nm |
| Weight | See table below |

Technical data

| Part No. | Electrical connection | Operational voltage | Max. current |
|------------|-----------------------|---------------------|--------------|
| | | | |
| 1834484048 | Socket 2+E angled 90° | - | 10 A |
| 1834484059 | Socket 3+E angled 90° | - | 10 A |
| 1834484101 | Socket 2+E angled 90° | 24 V AC/DC | - |
| 1834484102 | Socket 2+E angled 90° | 110 V AC | - |
| 1834484103 | Socket 2+E angled 90° | 230 V AC | - |
| 8941016112 | Socket 2+E angled 90° | 230 V AC | - |
| 8941012462 | Socket 3+E angled 90° | 24 V DC | 8 A |

| Part No. | Protective circuit | Contact assignment | LED status display | suitable cable-Ø min./max |
|------------|--------------------|--------------------|--------------------|---------------------------|
| 1834484048 | - | 2+E | - | 6 / 8 mm |
| 1834484059 | - | 3+E | - | 6 / 8 mm |
| 1834484101 | Z-diode | 2+E | Yellow | 6 / 8 mm |
| 1834484102 | Varistor | 2+E | Red | 6 / 8 mm |
| 1834484103 | Varistor | 2+E | Red | 6 / 8 mm |
| 8941016112 | Varistor | 2+E | Green | 6 / 10 mm |
| 8941012462 | - | 3+E | green/red | 4.5 / 11 mm |

| Part No. | Seal | Weight | |
|------------|---------------------------------|----------|----|
| 1834484048 | caoutchouc/butadiene caoutchouc | 0.03 kg | 1) |
| 1834484059 | caoutchouc/butadiene caoutchouc | 0.03 kg | 1) |
| 1834484101 | Silicone caoutchouc | 0.03 kg | 2) |
| 1834484102 | caoutchouc/butadiene caoutchouc | 0.03 kg | 1) |
| 1834484103 | Silicone caoutchouc | 0.025 kg | 1) |
| 8941016112 | caoutchouc/butadiene caoutchouc | 0.03 kg | 1) |
| 8941012462 | caoutchouc/butadiene caoutchouc | 0.03 kg | 2) |

- 1) Profile seal
- 2) Flat gasket

Technical information

The specified protection class is only valid in assembled and tested state.

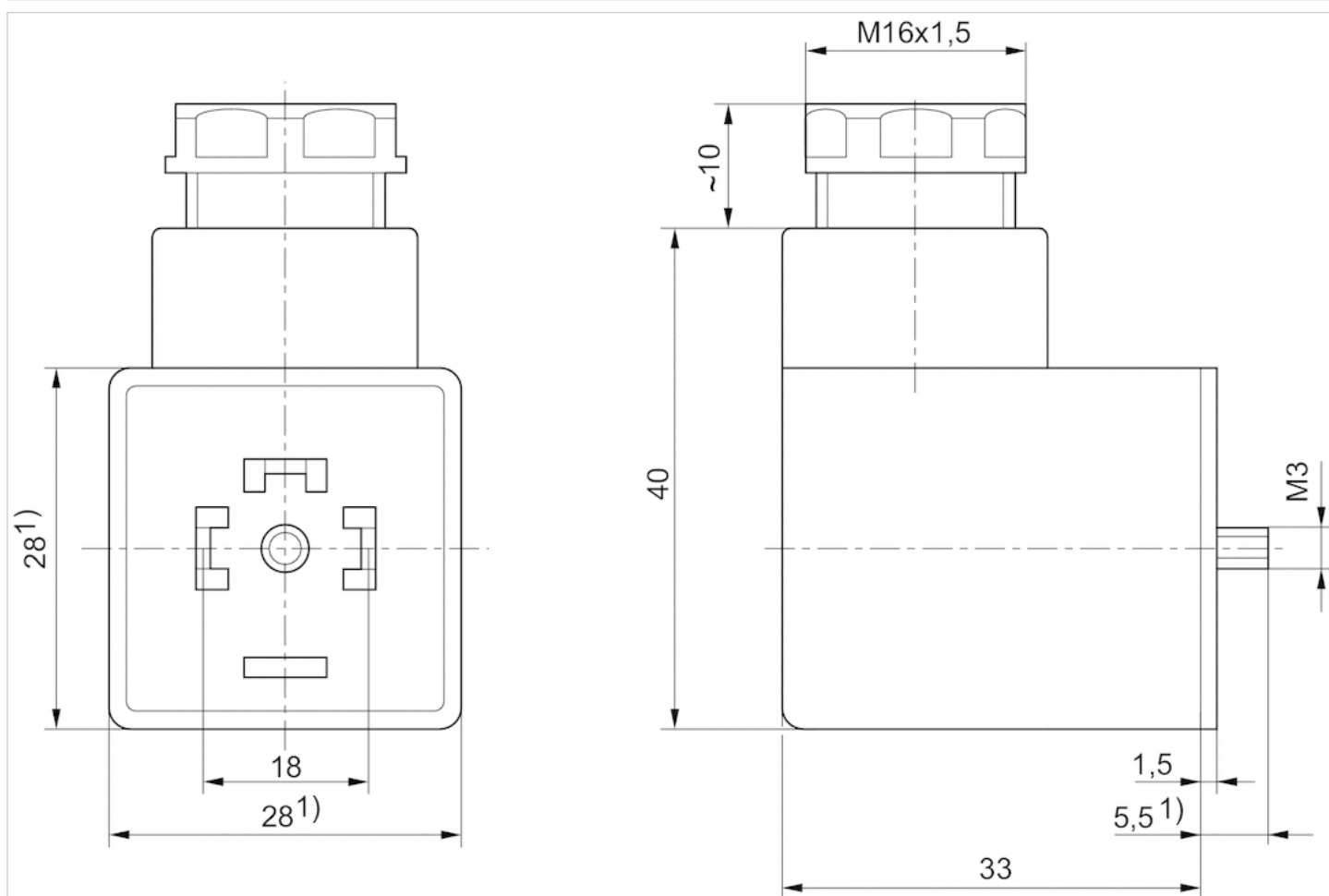
Technical information

Material

| | |
|-------|---|
| Seals | caoutchouc/butadiene caoutchouc Silicone caoutchouc |
|-------|---|

Dimensions

Dimensions



1) Max.

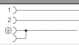


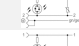
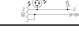
Valve plug connector, series CON-VP

- Socket form A 2+E angled 90°
- open cable ends 3-pin
- with cable
- unshielded



| | |
|----------------------------------|----------------------|
| Ambient temperature min./max. | -20 ... 80 °C |
| Operational voltage | See table below |
| Protection class | IP67 |
| Wire cross-section | 0.75 mm ² |
| Mounting screw tightening torque | 0.4 Nm |
| Weight | See table below |

Technical data

| Part No. | | Operational voltage | Protective circuit | Contact assignment | LED status display |
|------------|---|---------------------|--------------------|--------------------|--------------------|
| 1834484160 |  | 230 V AC/DC | - | 2+E | - |
| 1834484162 |  | 24 V AC/DC | Z-diode | 2+E | Yellow |
| 1834484163 |  | 24 V AC/DC | Z-diode | 2+E | Yellow |
| 1834484164 |  | 230 V AC/DC | Varistor | 2+E | Red |
| 1834484165 |  | 230 V AC/DC | Varistor | 2+E | Red |

| Part No. | Number of wires | Cable-Ø | Cable length | Weight | Fig. | |
|------------|-----------------|---------|--------------|---------|--------|----|
| 1834484160 | 3 | 5.9 mm | 3 m | 0.2 kg | Fig. 1 | 1) |
| 1834484162 | 3 | 5.9 mm | 3 m | 0.2 kg | Fig. 2 | - |
| 1834484163 | 3 | 5.9 mm | 5 m | 0.31 kg | Fig. 2 | - |
| 1834484164 | 3 | 5.9 mm | 3 m | 0.2 kg | Fig. 2 | - |
| 1834484165 | 3 | 5.9 mm | 5 m | 0.31 kg | Fig. 2 | - |

1) Scope of delivery incl. flat gasket

Technical information

The specified protection class is only valid in assembled and tested state.

Technical information

| Material | |
|--------------|---------------------------------|
| Seals | caoutchouc/butadiene caoutchouc |
| Cable sheath | Polyvinyl chloride |

Dimensions

Fig. 1

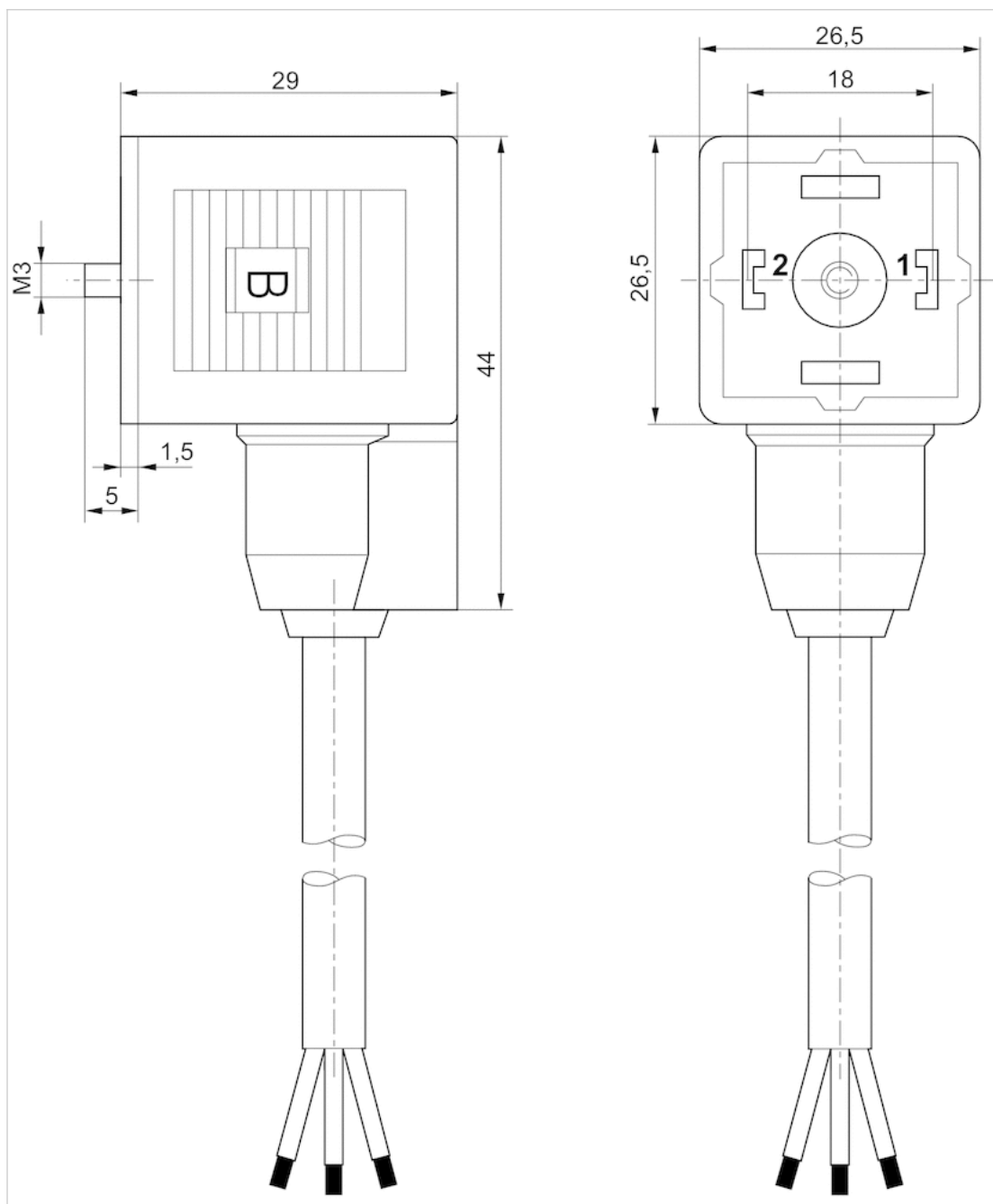
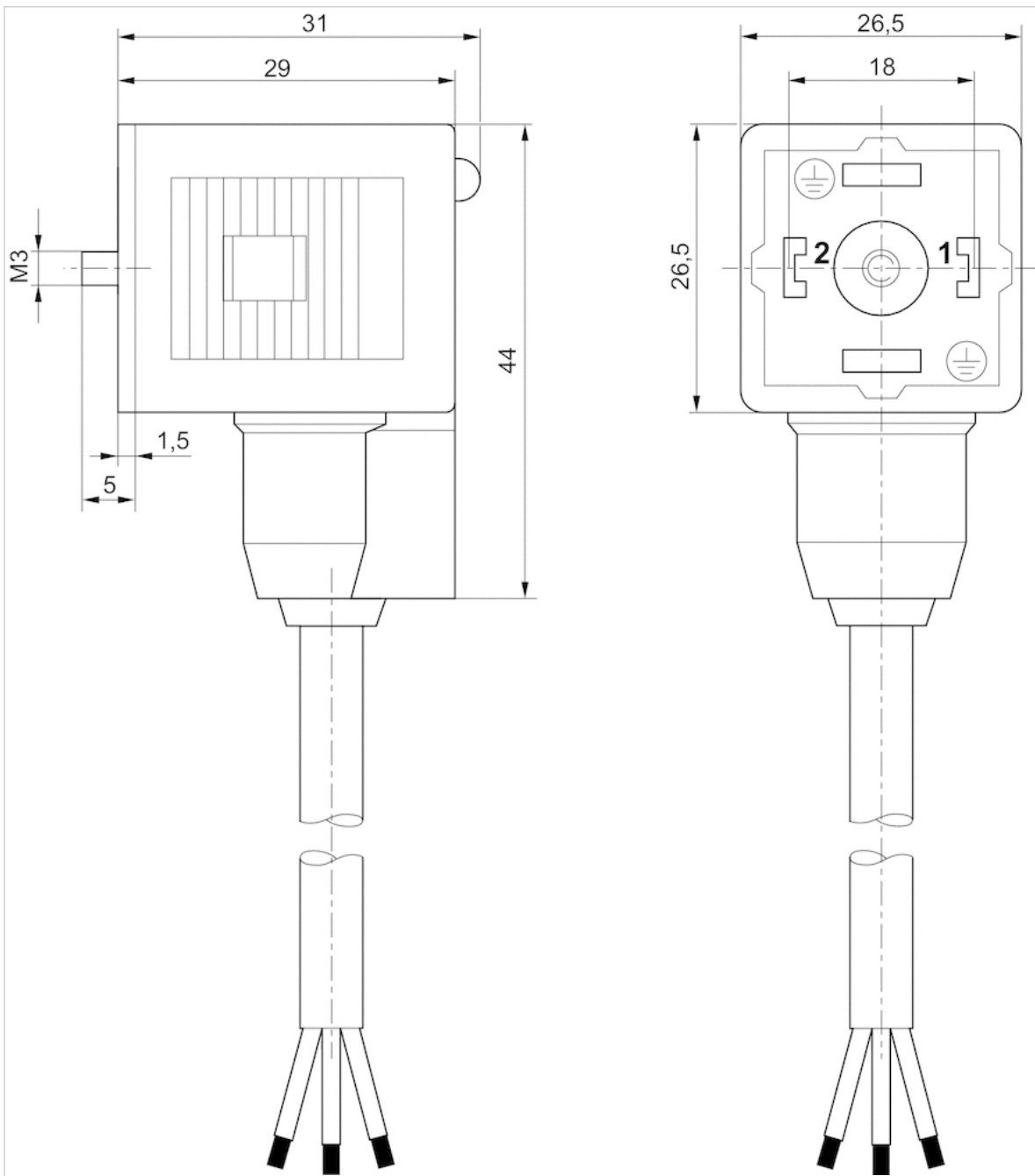


Fig. 2

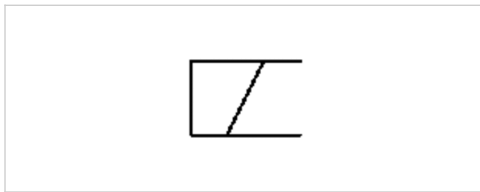


Coil, Series C01

- form A
- Coil width 30 mm
- Power consumption DC 2.7 W
- Holding power AC 1.6 VA



| | |
|---|--------------------------------------|
| Connector standard electrical connections | EN 175301-803, form A Plug, 3-pin |
| Ambient temperature min./max. | 50 °C |
| Protection class With valve plug connector/plug | IP65 |
| Duty cycle ED | 100 % |
| Compatibility index | 14 |
| Weight | 0.096 kg |



Technical data

| Part No. | Operational voltage | Operational voltage | Operational voltage |
|------------|---------------------|---------------------|---------------------|
| | DC | AC 50 Hz | AC 60 Hz |
| R432011985 | 110 V | - | - |
| R432011986 | 220 V | - | - |
| R432011989 | 24 V | - | - |
| R432011990 | - | 24 V | 24 V |

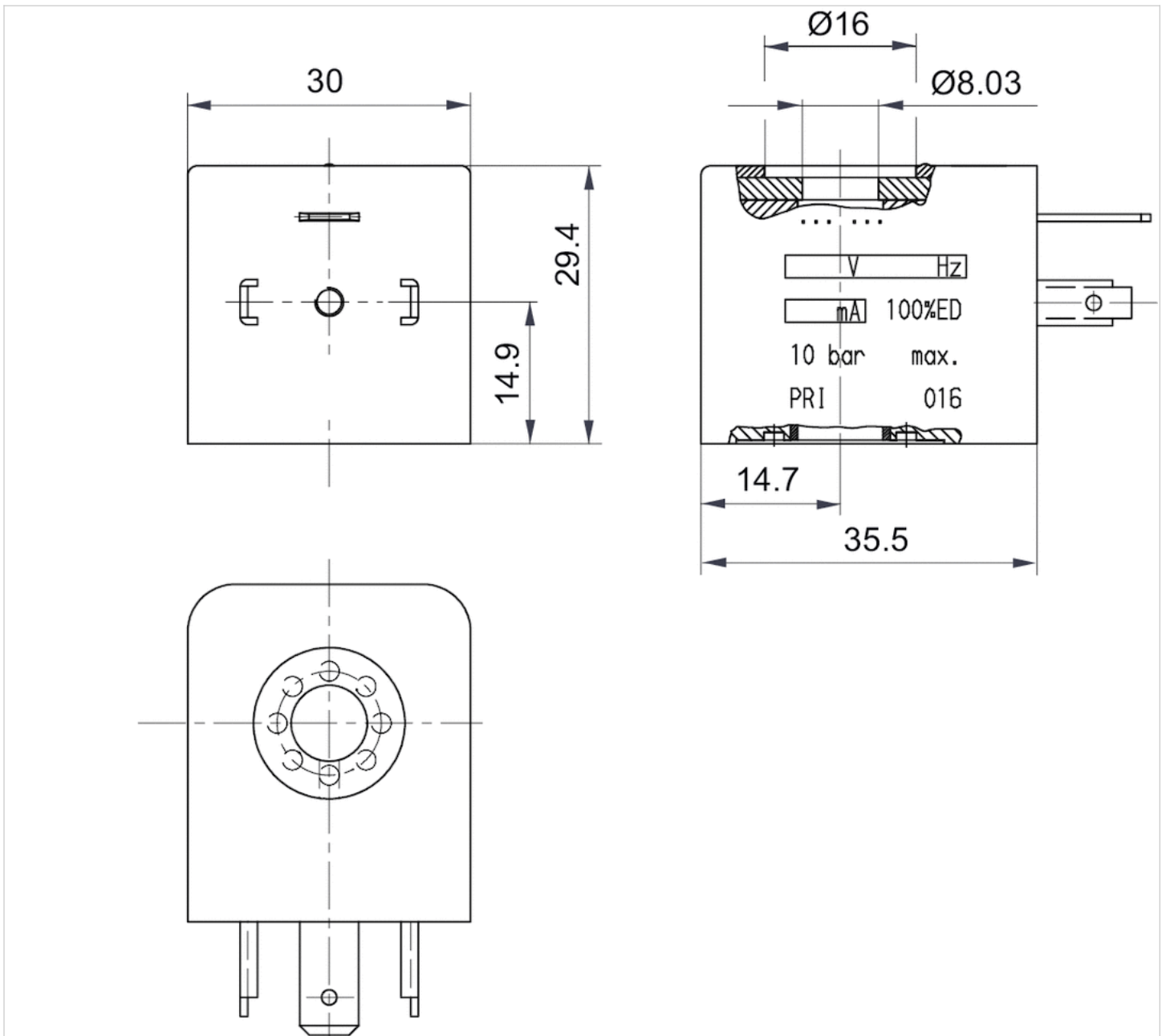
| Part No. | Voltage tolerance | Power consumption | Holding power | Holding power |
|------------|-------------------|-------------------|---------------|---------------|
| | DC | DC | AC 50 Hz | AC 60 Hz |
| R432011985 | -10% / +10% | 2.7 W | - | - |
| R432011986 | -10% / +10% | 2.7 W | - | - |
| R432011989 | -10% / +10% | 2.7 W | - | - |
| R432011990 | -10% / +10% | - | 1.6 VA | 1.4 VA |

Technical information

| Material | |
|----------|-------------------------|
| Housing | Thermoplastic elastomer |

Dimensions

Dimensions



Efficient pneumatic solutions, our program: cylinders and drives, valves and valve systems, air supply management



Visit us: [Emerson.com/Aventics](https://www.emerson.com/Aventics)

Your local contact: [Emerson.com/contactus](https://www.emerson.com/contactus)



Emerson.com



[Facebook.com/EmersonAutomationSolutions](https://www.facebook.com/EmersonAutomationSolutions)



[LinkedIn.com/company/Emerson-Automation-Solutions](https://www.linkedin.com/company/Emerson-Automation-Solutions)



[Twitter.com/EMR_Automation](https://twitter.com/EMR_Automation)

An example configuration is depicted on the title page. The delivered product may thus vary from that in the illustration. Subject to change. This Document, as well as the data, specifications and other information set forth in it, are the exclusive property of AVENTICS GmbH. It may not be reproduced or given to third parties without its consent. Only use the AVENTICS products shown in industrial applications. Read the product documentation completely and carefully before using the product. Observe the applicable regulations and laws of the respective country. When integrating the product into applications, note the system manufacturer's specifications for safe use of the product. The data specified only serve to describe the product. No statements concerning a certain condition or suitability for a certain application can be derived from our information. The information given does not release the user from the obligation of own judgment and verification. It must be remembered that the products are subject to a natural process of wear and aging.

The Emerson logo is a trademark and service mark of Emerson Electric Co. Brand logotype are registered trademarks of one of the Emerson family of companies. All other marks are the property of their respective owners. © 2017 Emerson Electric Co. All rights reserved.
2019-03



CONSIDER IT SOLVED™